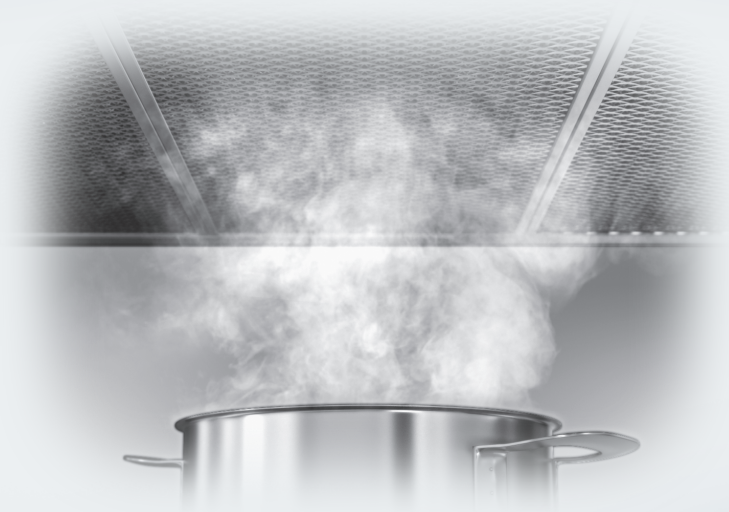


Operating and Installation Instructions

Range Wall / Insert Hood



To prevent accidents and damage to the appliance, you **must** read these instructions before installing the appliance and using it for the first time.

Contents

Caring for the environment	3
IMPORTANT SAFETY INSTRUCTIONS	4
Guide to the appliance	12
Description of functions	14
Appliance combinations.....	15
Operation	16
Switch on the blower.....	16
Turning off the blower.....	17
Turning the overhead lighting on/off.....	17
Energy-saving tips	18
Cleaning and care	19
Stainless steel housing.....	19
Baffle filter	20
OdorFree Charcoal Filter	23
Disposing of charcoal filters	23
Service and warranty	24
Location of the data plate	24
MieleCare	24
Installation	25
Before installation.....	25
Removing the protective film.....	25
Installation Instructions	25
Installation parts	26
Appliance dimensions	28
Distance between cooktop and ventilation hood (S).....	31
BTU-reducing kit (M Pro Power, M Pro)	33
Installation recommendations	33
Plywood backing	34
To install a plywood backing	34
Air venting	35
Electrical connection	37
Technical data	38

Disposal of the packing material

The cardboard box and packing materials protect the appliance during shipping. They have been designed to be biodegradable and recyclable.

Ensure that any plastic wrappings, bags, etc. are disposed of safely and kept out of the reach of children.
Danger of suffocation!

Disposal of your old appliance

Electrical and electronic appliances contain valuable materials. They also contain certain substances, compounds and components which were essential for the proper functioning and safe use of the equipment. Handling these materials improperly by disposing of them in your household waste can be harmful to your health and the environment. Therefore, please do not dispose of your old appliance with regular household waste and follow local regulations on proper disposal.



Consult with local authorities, dealers or Miele in order to dispose of and recycle electrical and electronic appliances. Miele assumes no responsibility for deleting any personal data left on the appliance being disposed. Please ensure that your old appliance is kept away from children until removal. Observe safety requirements for appliances that may tip over or pose an entrapment hazard.

IMPORTANT SAFETY INSTRUCTIONS

READ AND SAVE THESE INSTRUCTIONS

This appliance complies with current safety requirements. Improper use of the appliance can lead to personal injury and material damage.

Read all instructions before installing or using the appliance for the first time. Only use the appliance for its intended purpose.

Keep these operating instructions in a safe place and pass them on to any future user.

Appropriate use

- ▶ **CAUTION:** For General Ventilating Use Only. Do Not Use To Exhaust Hazardous Or Explosive Materials And Vapors.
- ▶ This appliance is intended for residential use only. Use only as described in these operating instructions.
- ▶ This ventilation hood is not intended for outdoor use.
- ▶ It must only be used to extract and clean vapors produced during cooking. Any other use occurs at the owner's own risk.
- ▶ This appliance is suitable for installation above gas or electric cooking surfaces.
- ▶ Persons who lack physical, sensory or mental abilities, or experience with the appliance should not use it without supervision or instruction by a responsible person.

IMPORTANT SAFETY INSTRUCTIONS

Safety with children

- ▶ As with any appliance, close supervision is necessary when used by children.
- ▶ Please supervise children in the vicinity of the hood and do not let them play with it.
- ▶ Danger of suffocation! Ensure that any plastic wrappings, bags, etc. are disposed of safely and kept out of the reach of children.

Technical safety

- ▶ **WARNING: TO REDUCE THE RISK OF FIRE, ELECTRIC SHOCK, OR INJURY TO PERSONS, OBSERVE THE FOLLOWING:**
 - Use this appliance only in the manner intended by the manufacturer. If you have questions, contact Miele.
 - Before servicing or cleaning the appliance, switch power off at the service panel and lock the service disconnecting means to prevent power from being switched on accidentally. If the service disconnecting means cannot be locked, securely fasten a prominent warning device, such as a tag, to the service panel.
- ▶ Unauthorized installation, maintenance, and repairs can cause considerable danger for the user. Installation, maintenance, and repairs must only be carried out by a Miele authorized technician.
- ▶ A damaged ventilation hood can be dangerous. Always check for visible signs of damage. Never use a damaged ventilation hood.
- ▶ Be certain your appliance is properly installed and grounded by a qualified technician. To guarantee the electrical safety of this appliance, continuity must exist between the appliance and an effective grounding system. It is imperative that this basic safety requirement be met. If there is any doubt, have the electrical system of the house checked by a qualified electrician.
- ▶ Reliable and safe operation of this hood can only be guaranteed if it has been connected to the electrical supply.

IMPORTANT SAFETY INSTRUCTIONS

- ▶ To avoid damaging the ventilation hood, make sure that the connection data (voltage and frequency) on the data plate correspond to the building's power supply before connecting the appliance.
If in doubt, consult a qualified electrician.
- ▶ Do not use a power bar or extension cord to connect the ventilation hood to electricity. These are a fire hazard and do not guarantee the required level of appliance safety.
- ▶ To ensure safe operation, only use the ventilation hood after it has been properly installed.
- ▶ This ventilation hood may not be used in non-stationary locations (e.g. on a ship).
- ▶ Adequate ventilation must be provided when the hood is operated simultaneously with devices that burn gas or other fuels.
- ▶ Only open the housing as described in the enclosed "Installation diagram" and in the "Cleaning and care" section of this manual. Under no circumstances should any other parts of the housing be opened.
Tampering with electrical connections or components and mechanical parts is highly dangerous to the user and can cause operation faults.
- ▶ Defective components should be replaced by Miele original parts only. Only with these parts can the manufacturer guarantee the safety of the appliance.
- ▶ If the power cord is damaged, it must only be replaced by a qualified service technician.
- ▶ During installation, maintenance, and repair work, the ventilation hood must be disconnected from the electrical supply. It is only completely isolated from the electricity supply if one of the following applies:
 - The circuit breakers on the electrical service panel are tripped.

IMPORTANT SAFETY INSTRUCTIONS

- The screw-type fuses on the electrical service panel have been removed.
- The power cord (if present) has been unplugged from the socket (pull the plug not the cord).

Correct use

▶ **WARNING: TO REDUCE THE RISK OF A COOKTOP GREASE FIRE:**

- a) Never leave surface units unattended at high settings. Boilovers cause smoking and greasy spillovers may ignite. Heat oils slowly on low or medium settings.
- b) Always turn the hood on when cooking at a high heat.
- c) Clean the ventilation hood frequently. Grease should not be allowed to accumulate on the fan or filter.
- d) Use the proper pan size. Always use cookware appropriate for the size of the cooking area.

▶ Never use an open flame beneath the ventilation hood. To avoid the risk of fire, do not flambé or grill over an open flame. When turned on, the ventilation hood will draw any flames into the filter. Fat deposits may ignite.

IMPORTANT SAFETY INSTRUCTIONS

▶ **WARNING: TO REDUCE THE RISK OF INJURY TO PERSONS IN THE EVENT OF A COOKTOP GREASE FIRE, OBSERVE THE FOLLOWING*:**

- a) **SMOTHER FLAMES** with a close fitting lid, cookie sheet, or metal tray then turn off the burner. **BE CAREFUL TO PREVENT BURNS.** If the flames do not go out immediately, **EVACUATE AND CALL THE FIRE DEPARTMENT.**
- b) **NEVER PICK UP A FLAMING PAN** - You may be burned.
- c) **DO NOT USE WATER**, including wet dishcloths or towels - a violent steam explosion will result.
- d) Use a fire extinguisher **ONLY** if:
 - 1) You have a class ABC extinguisher, and you know how to operate it.
 - 2) The fire is small and contained in the area where it started.
 - 3) The fire department is being called.
 - 4) You can fight the fire with your back to an exit.

*Based on “Kitchen Fire Safety Tips” published by NFPA.

▶ The ventilation hood may become damaged if exposed to excessive heat from a gas cooktop.

- When using the ventilation hood over a gas cooktop, ensure that any burners in use are always covered by cookware. Turn burners off when removing the cookware, even if doing so for just a short time.
 - Select cookware that is suitable for the size of the burner.
 - Adjust the flame so that it never extends up the sides of the cookware.
 - Avoid overheating the cookware (e.g., when cooking with a wok).
- ▶ Always turn the ventilation hood on whenever a burner is in use to prevent damage from condensation.

IMPORTANT SAFETY INSTRUCTIONS

▶ Overheated oil and fat can ignite, causing fire damage to the ventilation system.

Do not leave cookware, pans, and deep fryers unattended when cooking with oil or fat. Similarly, never leave an open grill unattended when grilling.

▶ Fat and debris deposits impair the proper functioning of the ventilation hood.

To ensure that cooking vapors are properly cleaned, never use the ventilation hood without the grease filters in place.

▶ There is a risk of fire if cleaning is not completed according to the instructions in this manual.

▶ Please note that the heat rising from the stovetop during cooking can cause the ventilation hood to become very hot.

Do not touch the housing or the grease filters until the ventilation hood has cooled down.

IMPORTANT SAFETY INSTRUCTIONS

Proper installation

- ▶ **WARNING: TO REDUCE THE RISK OF FIRE, ELECTRIC SHOCK, OR INJURY TO PERSONS, OBSERVE THE FOLLOWING:**
 - a) Installation work and electrical wiring must be done by qualified person(s) in accordance with all applicable codes and standards, including fire-rated construction.
 - b) Sufficient air is needed for combustion and exhausting of gases through the flue (chimney of fuel burning equipment to prevent back drafting. Follow the heating equipment manufacturer’s guideline and safety standards such as those published by the National Fire Protection Association (NFPA) and the American Society for Heating, Refrigeration and Air Conditioning Engineers (ASHRAE), and the local code authorities.
 - c) When cutting or drilling into the wall or ceiling, do not damage electrical wiring and other hidden utilities.
 - d) Ducted hoods must always be vented to the outdoors.
 - e) Do not use this hood with any solid-state speed control device.
- ▶ To determine whether a ventilation hood may be operated above your cooking appliance, please refer to the information provided by the appliance's manufacturer.
- ▶ Safety regulations prohibit the installation of a ventilation hood over solid fuel stoves.
- ▶ An insufficient safety distance between the cooktop and the ventilation hood can result in damage to the ventilation hood. The minimum safety distances between the top of the cooktop and the bottom of the ventilation hood given in the “Installation” section of this booklet must be observed, unless the cooktop manufacturer states that a greater safety distance is required. If more than one cooking appliance is installed beneath the ventilation hood, and they have different minimum safety distances to the ventilation hood, select the greater distance.

IMPORTANT SAFETY INSTRUCTIONS

- ▶ Be sure to observe the information contained in the “Installation” section when mounting the ventilation hood.
- ▶ Metal parts can have sharp edges which may cause injury. Wear gloves to protect your hands from being cut.
- ▶ When installing the exhaust duct, only use pipes or tubes made of non-flammable material. These can be obtained from your Miele dealer or from Miele Technical Service.
- ▶ Exhaust air should not be vented into a chimney or vent flue which is otherwise in use and should not be channeled into ducting which ventilates rooms with fuel-burning installations.
- ▶ If exhaust air is to be extracted into a chimney or ventilation duct no longer used for other purposes, seek professional advice.
- ▶ **WARNING: TO REDUCE THE RISK OF FIRE USE ONLY METAL DUCTWORK.**

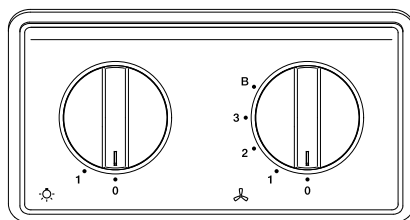
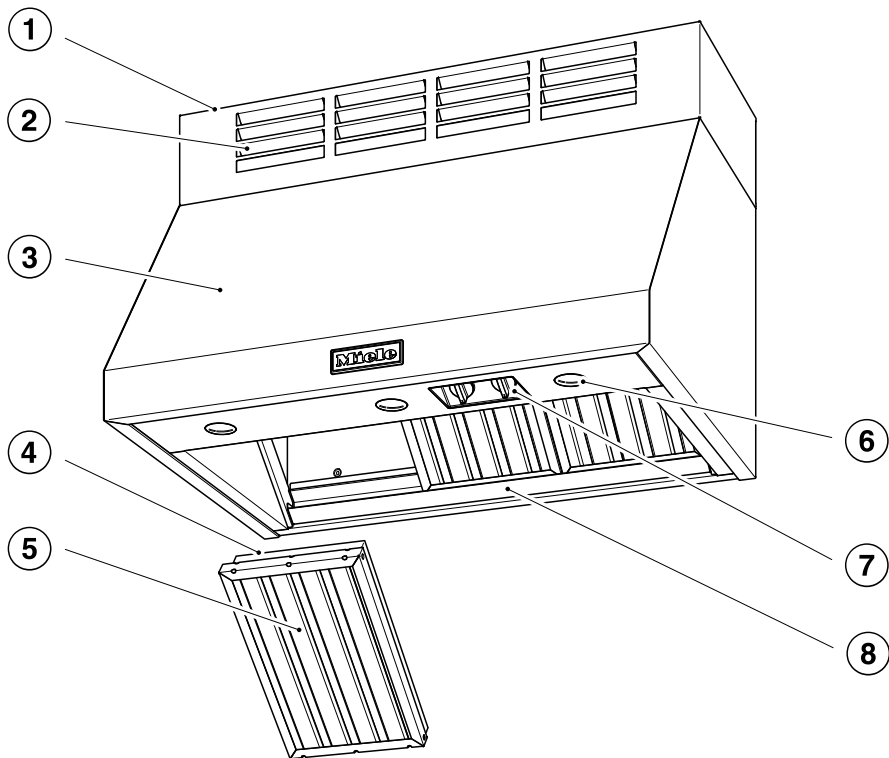
Cleaning and maintenance

- ▶ Never use a steam cleaner to clean the ventilation hood. The steam can reach the electrical components and cause a short circuit.

Accessories

- ▶ Use only genuine original Miele parts. If parts or accessories from other manufacturers are used, the warranty will become void.

Guide to the appliance



9

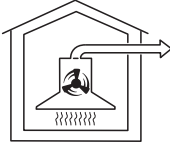
10

- ① Duct cover
Optional accessories DRDC in various heights. Cover will vary depending on model.
- ② Recirculation vents
Only in recirculation mode with conversion kit DRUU, optional accessory
- ③ Canopy
- ④ OdorFree Charcoal Filter
Optional accessories for recirculation mode.
The charcoal filters are mounted to the rear panel of the baffle filter.
- ⑤ Baffle filter
- ⑥ LED ClearView lighting
- ⑦ Control panel
- ⑧ Grease collecting tray
- ⑨ Overhead lighting knob
- ⑩ Blower control knob

Description of functions

The following functions are available on your ventilation hood, depending on the model:

Vented mode with internal blower DRIB



da00494a

A blower mounted in the ventilation hood draws in the air. The air is cleaned by the baffle filter and conveyed out of the building.

Vented mode with external blower DREB

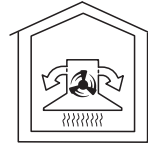


da00494c

The exhaust blower is mounted outside the room in a location of your choice. The external blower is connected to the ventilation hood by a cable and is controlled by the ventilation hood controls. The indrawn air is cleaned by the baffle filters and conveyed out of the building.

Recirculating mode

(with conversion kit DRUU)



da00494b

The baffle filter and the additional additional charcoal filter clean the indrawn air. Then the air is recirculated to the kitchen.

Description of functions

Appliance combinations

The following appliance combinations are possible:

	Vented mode with internal blower	Vented mode with external blower	Recirculating mode	Duct cover
Range Insert DAR 1120 (30")	Blower DRIB XL or <i>DRIB XXL*</i>	Blower DREB XL or <i>DREB XXL*</i>	-	-
Range Insert DAR 1130 (36")	Blower DRIB XL or DRIB XXL	Blower DREB XL or DREB XXL	-	-
Range Insert DAR 1150 (48")	Blower DRIB XXL	Blower DREB XXL	-	-
Range Wall Hood DAR 1220 (30")	Blower DRIB XL or <i>DRIB XXL*</i>	Blower DREB XL or <i>DREB XXL*</i>	Blower DRIB XL + recirculation kit DRUU 30**	DRDC 3006 (6") DRDC 3012 (12") DRDC 3018 (18") DRDC 3024 (24")
Range Wall Hood DAR 1230 (36")	Blower DRIB XL or DRIB XXL	Blower DREB XL or DREB XXL	Blower DRIB XL + recirculation kit DRUU 36**	DRDC 3606 (6") DRDC 3612 (12") DRDC 3618 (18") DRDC 3624 (24")
Range Wall Hood DAR 1250 (48")	Blower DRIB XXL	Blower DREB XXL	-	DRDC 4806 (6") DRDC 4812 (12") DRDC 4818 (18") DRDC 4824 (24")
Range Wall Hood DAR 1260 (60")	Blower DRIB XXL	Blower DREB XXL	-	DRDC 6006 (6") DRDC 6012 (12") DRDC 6018 (18") DRDC 6024 (24")

*not recommended


**The DRDC duct cover can also be installed above the recirculation kit panel.

Operation

Switch on the blower

Power levels **1** to **3** are available for light to heavy cooking vapors and odors.

If heavy cooking vapors and odors occur temporarily, e.g., during frying, select stage **B** as booster level.

- Use the blower switch  to turn on the blower and select the appropriate power level.

Cooking at a high setting causes very high temperatures at the ventilation hood.

Excessive temperatures may damage the ventilation hood.

- Always switch on the ventilation hood when using the cooktop. Particularly when using gas cooktops, one of the following blower levels should be selected depending on which cooking level is selected.

Ventilation hood with blower DRIB/DREB XL (700 cfm)	
Gas power level switched on	Minimum blower level
from approx. 75,000 BTU/h (22 kW)	2
from approx. 105,800 BTU/h (31 kW)	3

Ventilation hood with blower DRIB/DREB XXL (1100 cfm)	
Gas power level switched on	Minimum blower level
from approx. 105,800 BTU/h (31 kW)	2
from approx. 136,500 BTU/h (40 kW)	3

The ventilation hood is fitted with a temperature sensor. If a blower level that is too low is selected, the ventilation hood automatically switches temporarily to the booster level. This occurs even if the ventilation hood is switched off.


Turning off the blower

It is advisable to run the blower for a few minutes after cooking has finished to neutralize any lingering vapors and odors in the air.

- To turn the blower off, turn the blower switch to **0**.

Turning the overhead lighting on/off


The overhead lighting can be turned on and off independently from the blower.

- Use the light switch  to turn the overhead lighting on (**1**) and off (**0**).

Energy-saving tips

This hood operates in a very efficient and energy-saving manner. The following will help you to save even more energy when using it:


- Ensure that there is sufficient ventilation in the kitchen when cooking. If there is insufficient air flow during vented mode, the hood cannot operate efficiently, causing increased operating noise levels.
- Always cook with the lowest possible setting. This produces fewer cooking vapors so that you can use a lower hood power level and therefore benefit from reduced energy consumption.
- When a large volume of cooking vapors are being produced, switch to a high power level in good time. This is more efficient than operating the hood for longer to try to capture cooking vapors that have already been distributed throughout the kitchen.
- Make sure that you switch off the hood after use.
- Clean or change the filters at regular intervals. Heavily soiled filters reduce performance, increase the risk of fire and are unhygienic.

 **WARNING: TO REDUCE THE RISK OF FIRE, ELECTRIC SHOCK, OR INJURY TO PERSONS, OBSERVE THE FOLLOWING:**


- Before cleaning or servicing the hood, disconnect it from the power supply, see “IMPORTANT SAFETY INSTRUCTIONS”.

Stainless steel housing

General information

 The surfaces and control buttons are susceptible to scratching and chipping. Observe the following cleaning instructions.

- Clean all surfaces and control buttons using warm water and liquid dish soap. Apply with a sponge cloth.

 Make sure that no water gets into the interior of the hood. Only use a damp cloth to clean the hood, especially in the control panel area.

- After cleaning, dry the surfaces with a soft cloth.

Avoid the following:

- Cleaners containing soda, acid or chloride, or cleaners containing solvents
- Abrasive sponges, e.g. pot scourers or sponges which have been previously used with abrasive cleaning agents.

Special instructions for stainless steel surfaces

- Stainless steel surfaces can also be cleaned using a non-abrasive stainless steel cleaner.
- To prevent the surfaces from quickly becoming dirty again, we recommend treating them with a stainless steel care conditioner. Apply sparingly over the entire area using a soft cloth.

Important for the controls

Do not leave dirt and debris on the buttons for any length of time. Otherwise they may become discolored or damaged. Remove any dirt or debris immediately.

- Observe the general cleaning instructions contained in this chapter.

Do not use a stainless steel cleaner to clean the control buttons.

Cleaning and care

Baffle filter

The reusable stainless steel baffle grease filters in the appliance absorb the solid particles of kitchen vapors (grease, dust, etc.) and prevent soiling of the ventilation hood.

⚠ Risk of fire!

Oversaturated grease filters are a fire hazard.

Clean the grease filters at regular intervals.

Cleaning intervals

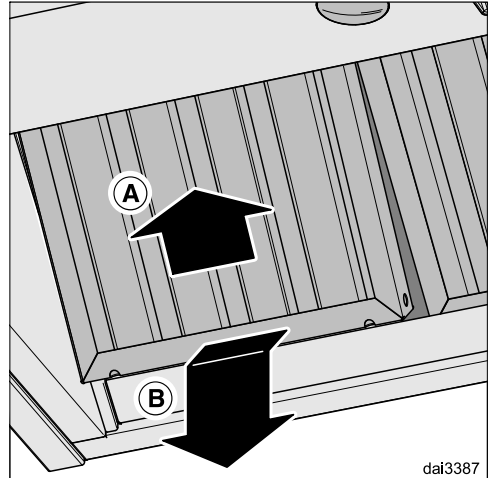
Accumulated grease solidifies over a longer period of time and makes cleaning more difficult. It is therefore recommended to clean the baffle filters every 3-4 weeks.

Removing the baffle filter

⚠ When handling the grease filter, be careful not to drop it.

This can result in damage to the filter and the cooktop below.

Make sure you hold the filter securely at all times when handling it.



- Push the baffle filter upward **(A)**, pivot it down **(B)** and remove the filter.
- If charcoal filters are installed on the back side of the baffle filter, remove them prior to cleaning (see “Charcoal filters”).

Cleaning the baffle filters by hand

- Use a sponge with a solution of warm water and liquid dish soap. Do not use concentrated dish soaps.

Unsuitable cleaning agents

Unsuitable cleaners can cause damage to the filter surfaces if used regularly. Do not use any of the following:

- Lime removers
- Abrasive powders or abrasive liquids
- Aggressive all-purpose cleaners and degreaser sprays
- Oven sprays

Cleaning the baffle filters in a dishwasher

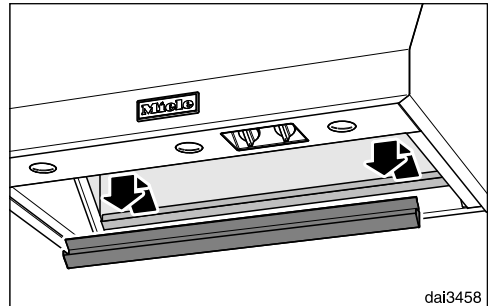
- If possible, place the baffle filter vertically or inclined in the lower basket. Ensure the spray arm is not obstructed.
- Use a common dishwashing detergent.
- In a Miele dishwasher user either the “Normal” or “Grates and Filters” programm.

After cleaning

- After cleaning, leave the baffle filters on an absorbent surface to dry.
- When removing the baffle filters for cleaning, also clean off any accessible oil or fat buildup from the housing. Doing so will prevent a fire hazard.

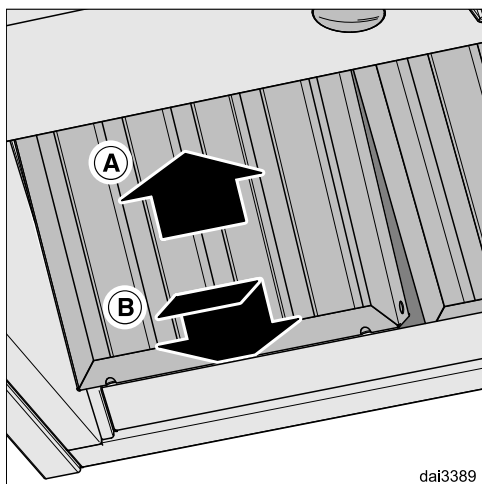
Grease tray

The lower support for the baffle filters serves as a grease tray; it collects dripped grease and can be removed for cleaning.



- Pull the grease tray upward and remove it.
- For cleaning purposes, observe the information provided under “Stainless steel housing”. The grease tray of the 30“-wide appliance can be cleaned in the dishwasher.

Cleaning and care



- Reinsert the baffle filters by pushing the filter upwards **A** then pushing it in **B**.

OdorFree Charcoal Filter

The following ventilation hoods can be prepared for recirculation mode with the specified conversion kit:

DAR 1220: conversion kit DRUU 30

DAR 1230: conversion kit DRUU 36

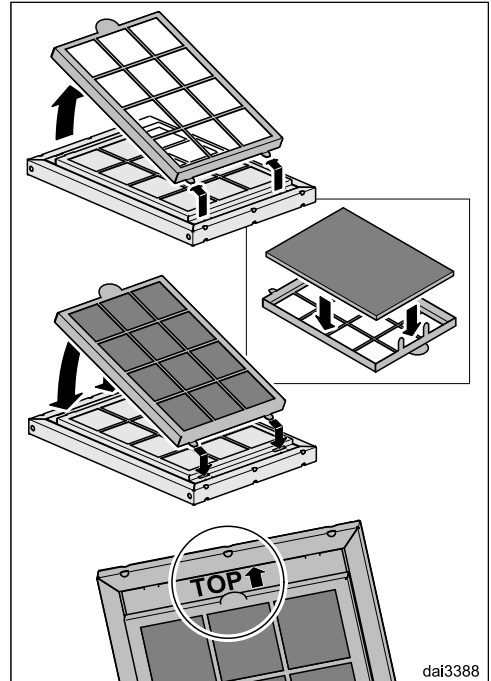
For recirculation mode, the baffle filters are fitted with a charcoal filter which traps odors during cooking.

The charcoal filters are installed on the back side of the baffle filters.

You can purchase the OdorFree Charcoal Filter from Miele. The type and designation can be found in chapter "Technical Data".

How to install/replace the charcoal filter

- To install or replace the charcoal filter, first remove the baffle filters as described above.
- Remove the charcoal filter from its packaging.



- Open the charcoal filter cartridge.
- Insert the charcoal filter and close the cartridge again.
- Reinstall the baffle filter

When to change the OdorFree Charcoal Filter

- Replace the charcoal filters when they no longer absorb kitchen odors effectively. They should, however, be replaced at least every 6 months.

Disposing of charcoal filters

- Used charcoal filters can be disposed of with normal household waste.

Service and warranty

For faults that you cannot resolve on your own, please contact your Miele dealer or Miele Technical Service.

The telephone number for Miele is listed at the back of these instructions.

When contacting Miele, please state the model and serial number of your ventilation hood.

These can be found on the data plate.

Location of the data plate

The data plate is visible once you have removed the grease filters.

Warranty

For further information, please refer to your warranty booklet.

MieleCare

This service is available in USA only.
--

MieleCare, our Extended Service Contract program, gives you the assurance of knowing that your appliance investment is covered by 5 years of worry free ownership.


MieleCare is the only Extended Service Contract in the industry that guarantees repairs by a Miele Authorized Service Provider using genuine Miele parts. Only genuine Miele parts installed by factory trained professionals can guarantee the safety, reliability, and longevity of your Miele appliance.

Please note that unless expressly approved in writing by Miele's Service department, Extended Service Contracts offered by other providers for Miele products will not be recognized by Miele. Our goal is to prevent unauthorized (and untrained) service personnel from working on your Miele products, possibly doing further damage to them, you and/or your home.

To learn more about **MieleCare** Extended Service Contracts, please contact your appliance dealer or visit us online at:

www.mieleusa.com

Before installation

 Before installing the appliance, read all of the information contained in this chapter and also in the “IMPORTANT SAFETY INSTRUCTIONS” section.

Installation Instructions

Please refer to the accompanying installation sheet for instructions on how to install the appliance.

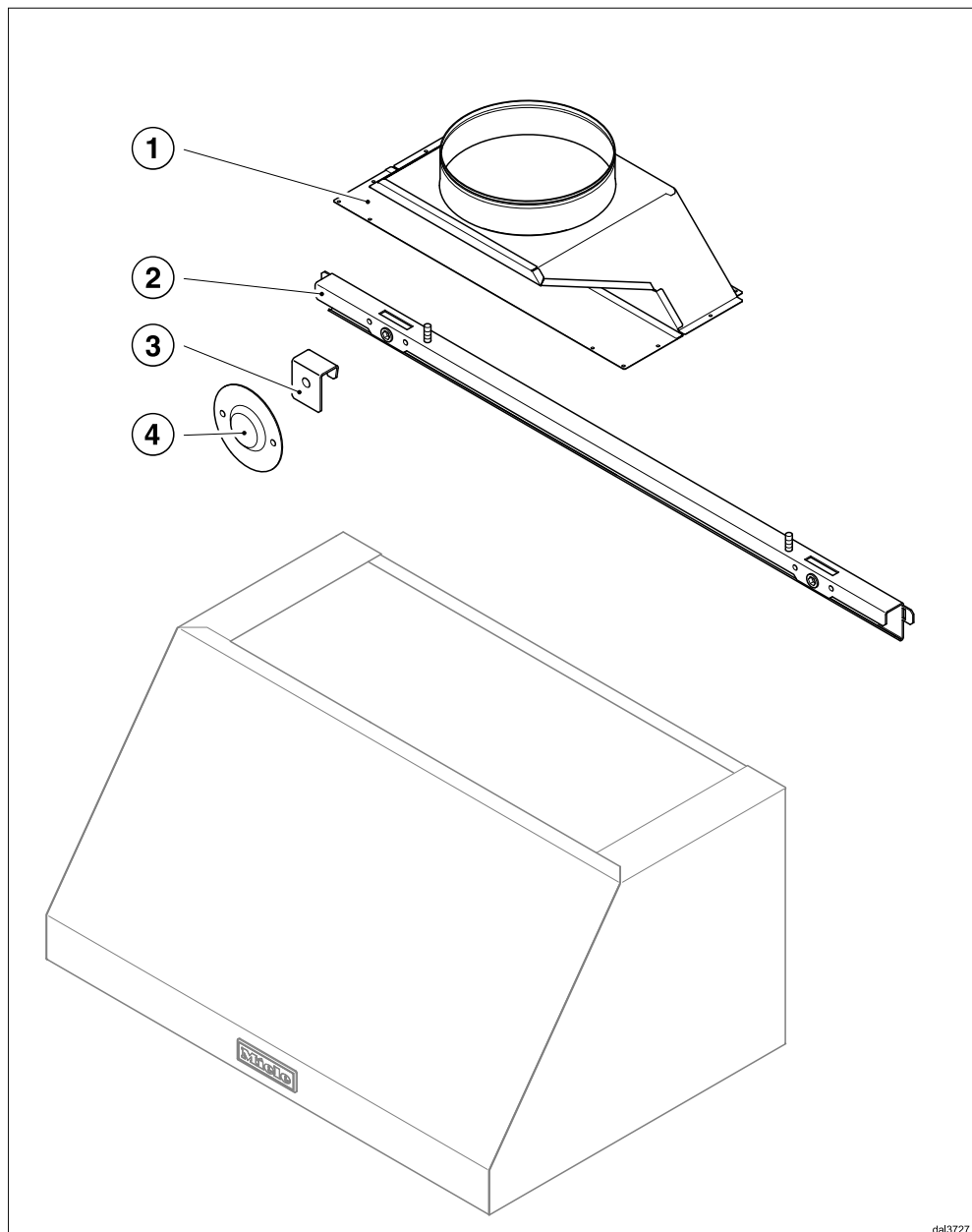
Removing the protective film

The housing components are covered by a protective film to prevent them from damage during transport.

- Please remove this film before installing the housing components. It can be peeled off easily without any additional tools.

Installation

Installation parts



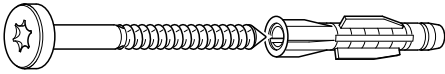
dal3727

- ① **1 vent collar**
for exhaust duct \varnothing 9 3/4" (250 mm).
The vent collar is not used for recirculation mode.

- ② **1 mounting rail**
for mounting the DAR 12xx on a wall

- ③ **2 mounting brackets**
for mounting the DAR 12xx on a wall

- ④ **2 cover caps**



568096-D068659

3 screws, 5 x 60 mm and

3 plugs, 8 x 50 mm

for attaching to the wall (DAR 12xx only). Plugs not for use in USA / CDN.

⚠ The screws and plugs are designed for use in solid walls only. Use different fasteners for other wall construction types. Make sure that the wall can support the load.



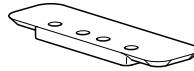
2 self-locking screws, M6 x 16 mm
for attaching the DAR 12xx to the mounting rail.

07602740



5640031

4 screws, M4 x 11 mm with base and



8574750

2 clamps

for securing the DRDC and DRUU duct Covers (DAR 12xx only).



06095672

10 screws, M4 x 8 mm

for fastening the cover caps and the clamps (DAR 12xx only).

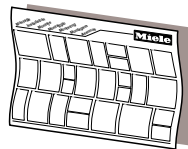


03879120

4 screws, 5 x 35 mm

for securing the DAR 11xx Range Hood.

Keep the following in a safe place:



dimaSonic

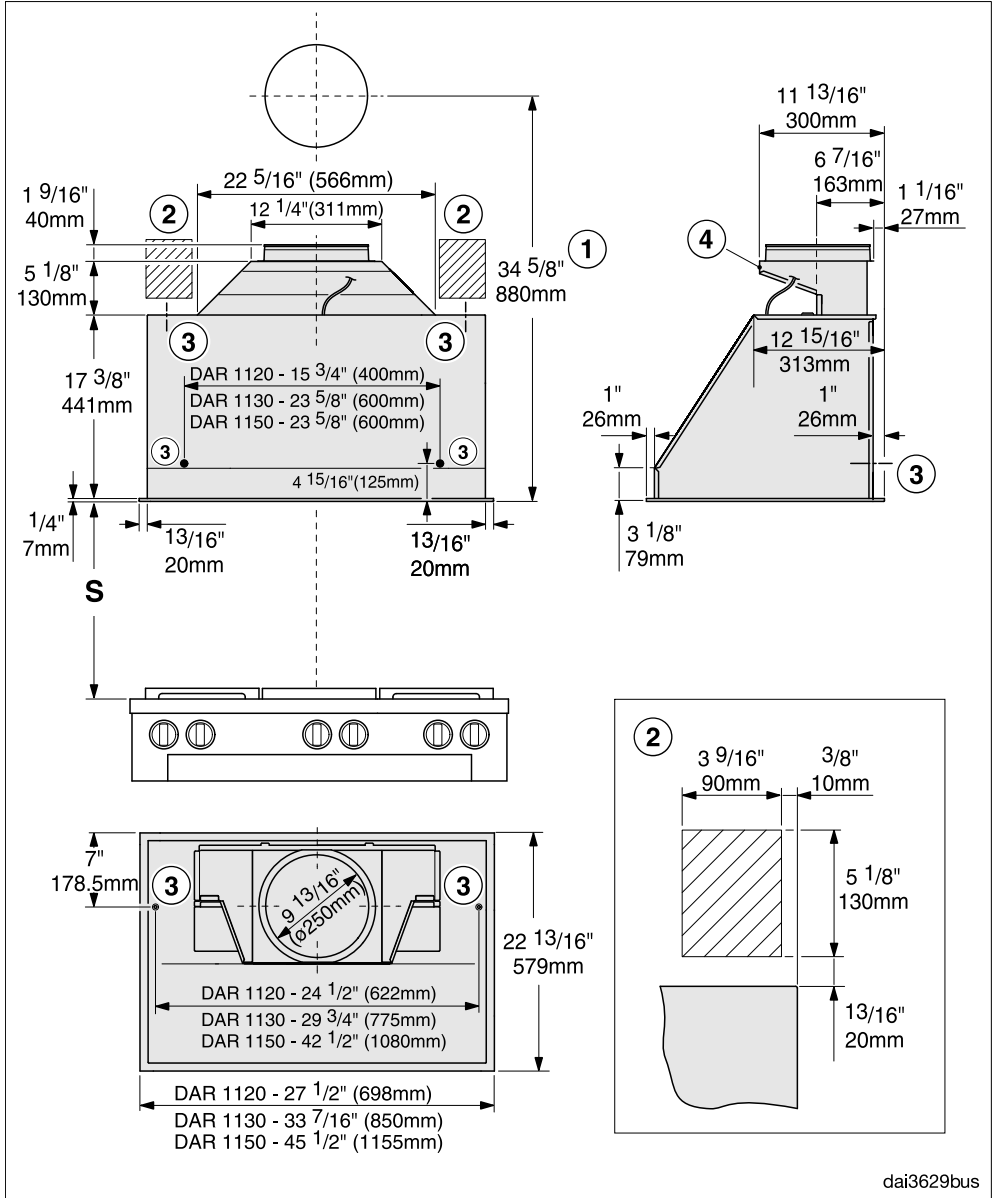
Installation plan

Installation

Appliance dimensions

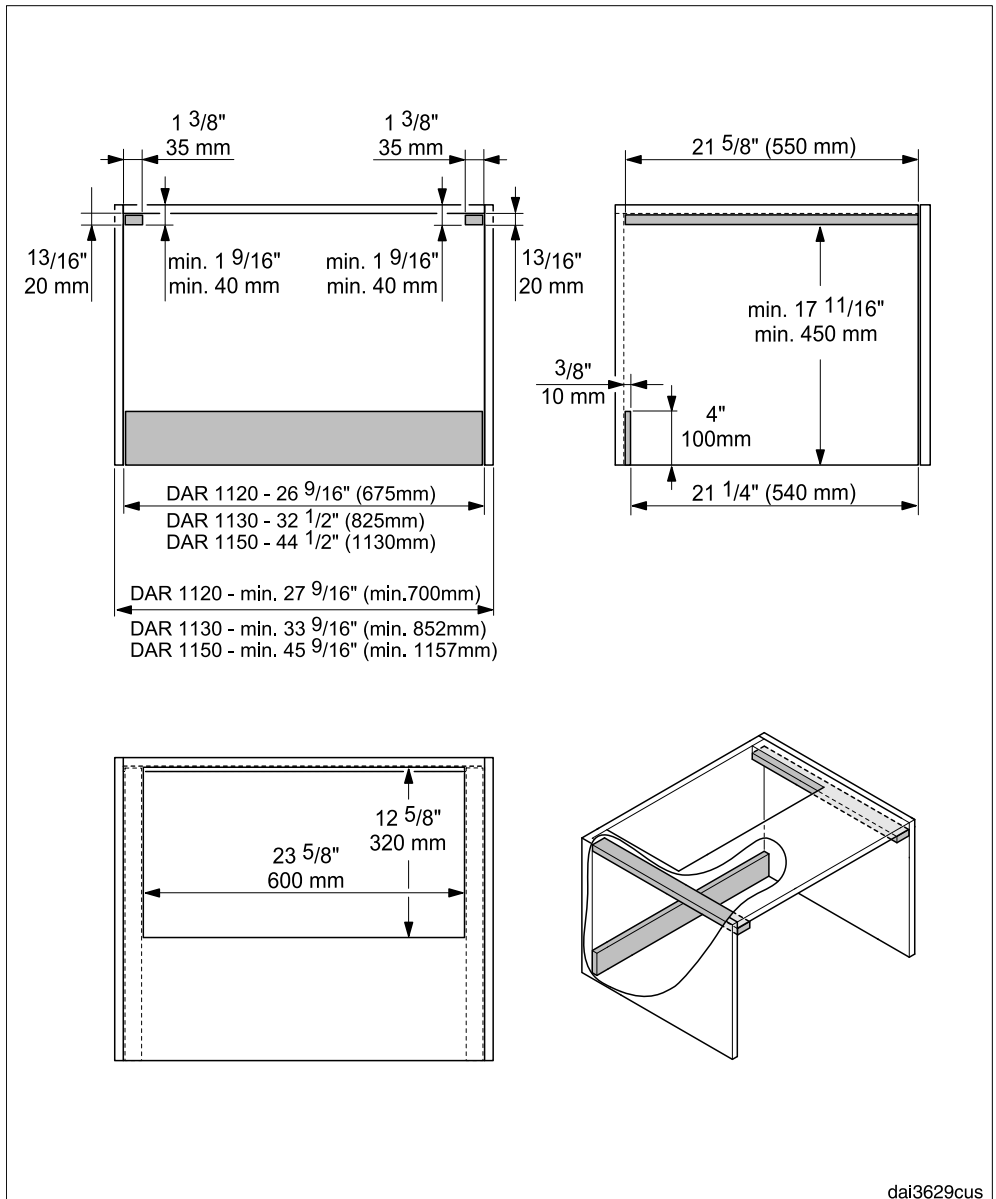
Range Insert Hood

DAR 1120, DAR 1130, DAR 1150



dai3629bus

Cabinet dimensions for DAR 1120, 1130, 1150 (example)

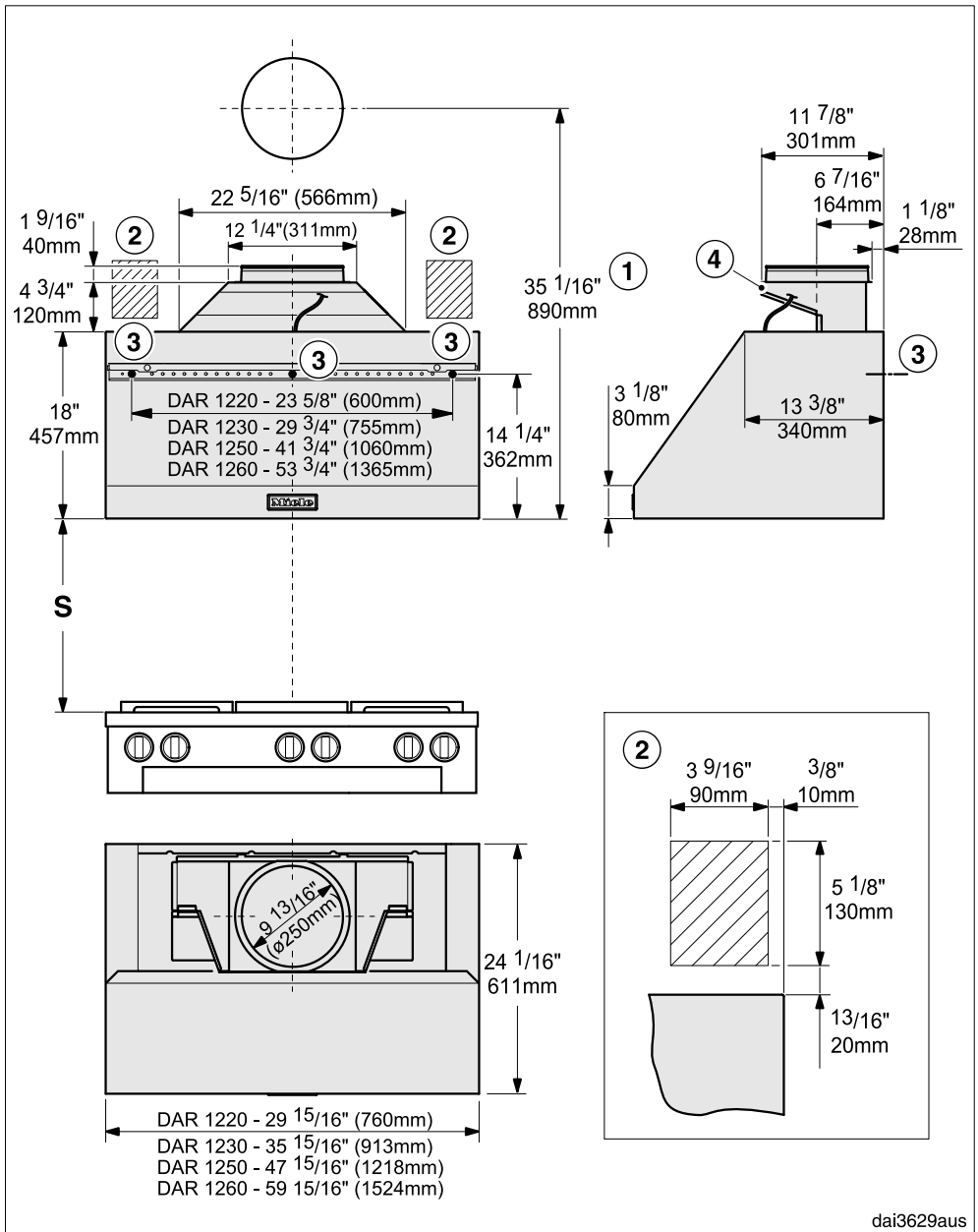


dai3629cus

Installation

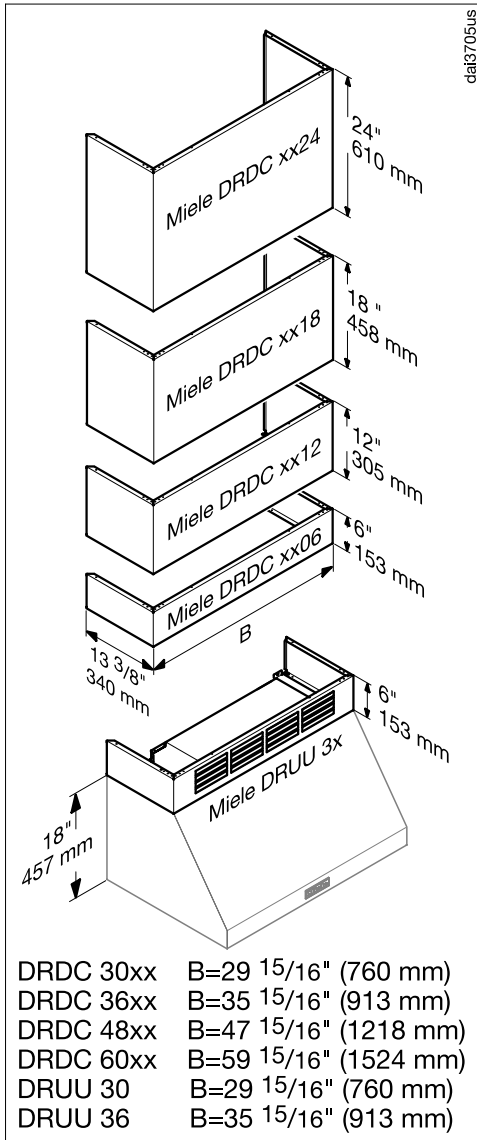
Range Wall Hoods

DAR 1220, 1230, 1250, 1260



dai3629aus

DRDC duct covers,
DRUU recirculation conversion kits



Duct covers can also be mounted
above recirculation kit.

- ① Minimum height required for exhaust air penetration when using a vent duct.
- ② Recommended installation area for the electrical connection.
- ③ Attachment points: there must be a sub-construction capable of bearing the load in the area of the attachment point.
- ④ The vent collar is not used for recirculation mode.

Distance between cooktop and ventilation hood (S)

Provided a larger distance is not given by the manufacturer of the cooktop, follow the minimum safety distances between a cooktop and the bottom of the hood.

Please also observe the information contained in the "IMPORTANT SAFETY INSTRUCTIONS" section.

- Also observe the manufacturer's information regarding the distance from combustible materials, e.g. to wall units.

Installation

	Distance between cooktop and ventilation hood (S)			
Miele ventilation hood	DAR 1120, DAR 1220 (30")	DAR 1130, DAR 1230 (36")		DAR 1150, DAR 1250 (48") DAR 1260 (60")
Internal/external Miele blower	DRIB/DREB XL (700 cfm)	DRIB/DREB XL (700 cfm)	DRIB/DREB XXL (1100 cfm)	DRIB/DREB XXL (1100 cfm)
Miele electric/induction cooktops	24" (610 mm)			
Miele barbeque and fryer (electric)	26" (660 mm)			
Multi-burner Miele gas cooktop, ≤ 43,000 BTU/h (12.6 kW), none of the burners > 19,800 BTU/h (5.8 kW)	26" (660 mm)			
Multi-burner Miele gas cooktop, > 43,000 BTU/h (12.6 kW) and ≤ 92,200 BTU/h (27.0 kW), none of the burners > 19,800 BTU/h (5.8 kW)	30" (760 mm)			
Multi-burner Miele gas cooktop, > 92,200 BTU/h (27.0 kW) and ≤ 112,600 BTU (33.0 kW), none of the burners > 19,800 BTU/h (5.8 kW)	not possible	36" (910 mm)	30" (760 mm)	
Multi-burner Miele gas cooktop, > 112,200 BTU/h (33.0 kW) and ≤ 142,600 BTU (41.8 kW) none of the burners > 19,800 BTU/h (5.8 kW)	not possible		36" (910 mm)	
Multi-burner Miele gas cooktop, > 142,600 BTU/h (41.8 kW)	not possible			
Multi-burner Miele gas cooktop, one of the burners > 19,800 BTU/h (5.8 kW)	not possible			
Miele single-burner gas cooktop (wok) ≤ 20,500 BTU/h (6.0 kW)	26" (660 mm)			
Miele single-burner gas cooktop (wok) > 20,500 BTU/h, (6.0 kW), ≤ 27,600 BTU/h (8.1 kW)	30" (760 mm)			
Miele single-burner gas cooktop (wok) > 27,600 BTU/h (8.1 kW)	not possible			

BTU-reducing kit (M Pro Power, M Pro)

If the BTU-reducing kit for Miele Ranges/Rangetops is in use, the distance between Range Wall/Insert Hood and Range/Rangetop can get reduced.

- Please observe the conversion instructions for the jet kits as well as the operating and installation instruction for the Range/Rangetop.
- To identify the **S** distance please use table on previous page.

Installation recommendations

- A distance of at least 26" (660 mm) is recommended above electric cooktops to provide more workspace and easier cooking under the hood.
- When selecting an installation height, always take the user height into consideration. Users should have ample space to work comfortably on the cooktop and reach the ventilation hood controls with ease.
- Please note that the greater the distance from the cooktop, the less effective the hood is at drawing in the cooking vapors.
- To achieve optimum vapor extraction, the hood must be centered over the cooktop, not to the side.
- The cooktop should be no wider than the hood. Preferably, it should be narrower for better extraction.
- The mounting area must be easily accessible. The ventilation hood should be easy to reach and disassemble in case a service call is necessary. This should be taken into consideration when planning the position of cabinetry, shelves, ceilings or decorative elements in the vicinity of the ventilation hood.

Installation

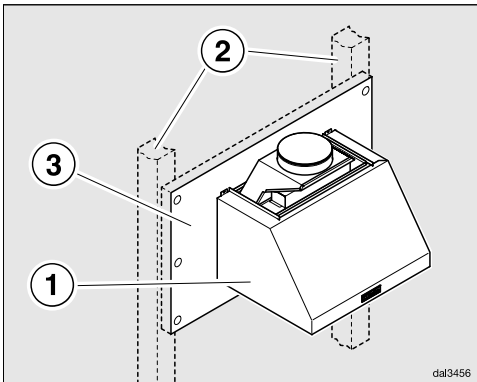
Plywood backing

The majority of the weight of the installed ventilation system will be supported by the lower retaining plate. It must be firmly attached to the stud framing behind the drywall. If studs are not available in the required locations, a plywood backing (min. ½" (13 mm) thick) spanning at least two studs must be installed.

Failure to adequately support the weight as stated may result in the ventilation system falling off the wall, causing personal injury and property damage.

If plywood backing is not needed, proceed to the included "Installation diagram".

To install a plywood backing



- Determine and mark the location for the canopy ① as outlined in "Appliance dimensions".
- Make a cutting line 3" (76 mm) above and 3" (76 mm) below the outline of the canopy.

- Find the studs ② to the left and right of the mounting location by tapping the wall or using a stud finder.
- Mark a vertical cutting line along the center of each stud.

CAUTION: When cutting or drilling into the wall or ceiling, do not damage electrical wiring and other hidden utilities.

- Remove the drywall between the cutting lines and replace it with plywood ③ of a matching thickness (min. ½" (13 mm) thick). Tape the joints and refinish the wall.
- Proceed to the enclosed "Installation diagram" to complete the installation.

WARNING: Danger of toxic fumes. Gas cooking appliances release carbon monoxide that can be harmful or fatal if inhaled.

To reduce the risk of fire and to properly exhaust air, the exhaust gases extracted by the hood should be vented outside of the building only.

Do not vent exhaust air into spaces within walls or ceilings or in attics, crawl spaces or garages.

To reduce the risk of fire, only use metal ductwork.

Please read and follow the "IMPORTANT SAFETY INSTRUCTIONS" to reduce the risk of personal injury. Follow all local building codes when installing the hood.

The exhaust air adapter of the ventilation hood depends on the blower used:

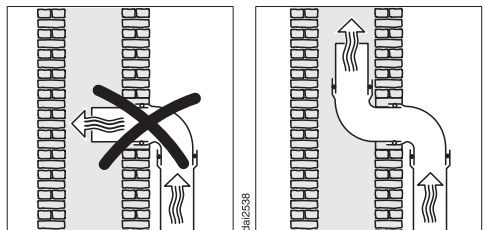
- DRIB/DREB XL: 8" (203 mm)
- DRIB/DREB XXL: 10" (254 mm)

Only use smooth pipes or flexible duct hoses made from non-combustible materials for exhaust duct.

To achieve the greatest possible air extraction with the lowest noise levels, please observe the following:

- The cross-section of the exhaust duct must not be smaller than the cross-section of the vent collar (see appliance dimensions).
- The exhaust duct should be as short and straight as possible.
- If elbows are needed, make sure they have a large radius.
- The exhaust duct must not be kinked or compressed. When selecting the exhaust duct, ensure that it is rigid enough to retain its shape during operation.
- Make sure that all connections are secure and airtight.

Any constriction of the airflow will reduce extraction performance and increase operating noise.



- If the exhaust air is to be ducted into a flue, the duct must be directed in the flow direction of the flue.

Air venting

- When duct is horizontal it must be laid to slope away at at least $\frac{1}{8}$ inch per foot. This is to ensure that condensate cannot drain back into the appliance.
- If the exhaust duct is to be routed through rooms, ceiling space etc., the temperatures in these different areas may differ greatly, which means that the problem of condensation will need to be addressed. The exhaust duct will need to be insulated.
- Installation of a non-return flap in the exhaust duct is recommended. It ensures that air, once ducted to the outside, cannot get back into the room again.

WARNING: TO REDUCE THE RISK OF FIRE, ELECTRIC SHOCK, OR INJURY TO PERSONS, OBSERVE THE FOLLOWING:

All electrical work should be performed by a qualified electrician in strict accordance with national regulations (for USA: ANSI-NFPA 70) and local safety regulations.

Installation, repairs and other work by unqualified persons could be dangerous.

Ensure that power to the appliance is OFF while installation or repair work is performed.

Verify that the voltage, load and circuit rating information found on the data plate (located behind the baffle filters), match the household electrical supply before installing the hood.

Use only with ventilation hood cord-connection kits that have been investigated and found acceptable for use with this model hood.

If there is any question concerning the electrical connection of this appliance to your power supply, please consult a licensed electrician or call Miele's Technical Service Department.

WARNING: THIS APPLIANCE MUST BE GROUNDED

Grounding Instructions

WARNING - Improper grounding can result in a risk of electric shock.

This appliance must be grounded. In the event of an electrical short circuit, grounding reduces the risk of electric shock by providing a path of least resistance. This appliance is equipped with a cord having a grounding wire with a grounding plug.

If there is any doubt, have the electrical system of the house checked by a qualified electrician.

Do not use an extension cord. If the power supply cord is too short, have a qualified electrician install an outlet near the appliance.

- The plug must be plugged into an outlet that is properly installed and grounded.

WARNING - Grounding instructions (Canada)

The grounding-type attachment plug shall be connected to a grounding-type receptacle installed in accordance with CSA C22.1-12, Canadian Electrical Code, Part I.

Technical data

Total connected load	
DAR 1120, 1220 with blower DRIB XL or DREB XL	621 W
DAR 1130, 1230 with blower DRIB XL or DREB XL	624 W
DAR 1130, 1230 with blower DRIB XXL or DREB XXL	809 W
DAR 1150, 1250, 1260 with blower DRIB XXL or DREB XXL	812 W
Overhead lighting	
DAR 1120, 1220	2 x 3 W
DAR 1130, 1230	3 x 3 W
DAR 1150, 1250, 1260	4 x 3 W
Supply voltage, frequency	120 V AC, 60 Hz
Fuse rating	15 A
Power cord length	2.5 ft (0.75 m)
Weight	
DAR 1120 (without blower)	35.2 lbs (16.0 kg)
DAR 1220 (without blower)	59.4 lbs (27.0 kg)
DAR 1130 (without blower)	41.8 lbs (19.0 kg)
DAR 1230 (without blower)	72.6 lbs (33.0 kg)
DAR 1150 (without blower)	55.0 lbs (25.0 kg)
DAR 1250 (without blower)	105.6 lbs (48.0 kg)
DAR 1260 (without blower)	116.6 lbs (53.0 kg)
Blower DRIB XL	25.5 lbs (11.6 kg)
Blower DRIB XXL	24.9 lbs (11.3 kg)

Optional accessories for recirculation mode:

DAR 1220:

conversion kit DRUU 30 and charcoal filter DKF 23-1 (includes 2 charcoal filters).

DAR 1230:

conversion kit DRUU 36 and charcoal filter DKF 24-1 (includes 3 charcoal filters).

Please have the model and serial number of your appliance available when contacting Technical Service.

The Miele logo consists of the word "Miele" in a bold, white, serif font, set against a solid black rectangular background.

U.S.A.

Miele, Inc.

National Headquarters

9 Independence Way
Princeton, NJ 08540
Phone: 800-843-7231
Fax: 609-419-4298
www.mieleusa.com

Technical Service & Support

Phone: 800-999-1360
Fax: 888-586-8056
TechnicalService@mieleusa.com

International Headquarters

Miele & Cie. KG
Carl-Miele-Straße 29
33332 Gütersloh
Germany

Canada

Importer
Miele Limited

Headquarters and Miele Centre

161 Four Valley Drive
Vaughan, ON L4K 4V8
www.miele.ca

Customer Care Centre

Phone: 800-565-6435
905-532-2272
customercare@miele.ca

DAR 1120, DAR 1130, DAR 1150
DAR 1220, DAR 1230, DAR 1250, DAR 1260