

Operating and Installation Instructions Ventilation Hood



To prevent accidents and damage to the appliance, you **must** read these instructions before installing the appliance and using it for the first time.

Contents

IMPORTANT SAFETY INSTRUCTIONS	4
Caring for the environment	13
Guide to the appliance	14
Description of functions	16
Operation	17
Turning on the blower.....	17
Selecting the power level	17
Delayed shut-down	18
Turning off the blower.....	18
Turning the overhead lighting on/off.....	18
Safety switch-off	18
Energy-saving tips	19
Cleaning and care	20
Stainless steel housing.....	20
Grease filter	21
OdorFree Charcoal Filter	23
Disposing of charcoal filters	23
Changing a light bulb	24
Installation	25
Before installation.....	25
Installation parts.....	26
Appliance dimensions	28
Distance between cooktop and ventilation hood (S).....	31
Installation recommendations	32
Attaching the front panel.....	37
Aligning the fume deflector	38
Installing the grease filter.....	38
Connecting the exhaust ducting	39
Setting up recirculation mode	39
Power supply.....	40
Electrical connection	40
Air venting	41
Non-return flap	42
Condensate	42
Reducing Collar	43
Customer Service	44
Contact in the event of a fault	44

Contents

Location of the data plate	44
Appliance warranty and product registration	44
MieleCare	44
Technical data	45

IMPORTANT SAFETY INSTRUCTIONS

READ AND SAVE THESE INSTRUCTIONS

This appliance complies with current safety requirements. Improper use of the appliance can lead to personal injury and material damage.

Read all instructions before installing or using the appliance for the first time. Only use the appliance for its intended purpose.

Keep these operating instructions in a safe place and pass them on to any future user.

Appropriate use

- ▶ **CAUTION:** For General Ventilating Use Only. Do Not Use To Exhaust Hazardous Or Explosive Materials And Vapors.
- ▶ This appliance is intended for residential use only. Use only as described in these operating instructions.
- ▶ This ventilation hood is not intended for outdoor use.
- ▶ It must only be used to extract and clean vapors produced during cooking. Any other use occurs at the owner's own risk.
- ▶ This appliance is suitable for installation above gas or electric cooking surfaces.
- ▶ Persons who lack physical, sensory or mental abilities, or experience with the appliance should not use it without supervision or instruction by a responsible person.

IMPORTANT SAFETY INSTRUCTIONS

Safety with children

- ▶ Children must be kept away from the ventilation hood unless they are constantly supervised.
- ▶ Please supervise children in the vicinity of the hood and do not let them play with it.
- ▶ Danger of suffocation. While playing, children may become entangled in packaging material (such as plastic wrapping) or pull it over their head, presenting the risk of suffocation. Keep packaging material away from children.
- ▶ The LED ClearView lighting is very intense. Ensure that especially babies/small children don't look into the light.

Technical safety

- ▶ **WARNING: TO REDUCE THE RISK OF FIRE, ELECTRIC SHOCK, OR INJURY TO PERSONS, OBSERVE THE FOLLOWING:**
 - Use this appliance only in the manner intended by the manufacturer. If you have questions, contact Miele.
 - Before servicing or cleaning the appliance, switch power off at the service panel and lock the service disconnecting means to prevent power from being switched on accidentally. If the service disconnecting means cannot be locked, securely fasten a prominent warning device, such as a tag, to the service panel.
- ▶ Unauthorized installation, maintenance, and repairs can cause considerable danger for the user. Installation, maintenance, and repairs must only be carried out by a Miele authorized technician.
- ▶ A damaged ventilation hood can be dangerous. Always check for visible signs of damage. Never use a damaged ventilation hood.

IMPORTANT SAFETY INSTRUCTIONS

- ▶ Be certain your appliance is properly installed and grounded by a qualified technician. To guarantee the electrical safety of this appliance, continuity must exist between the appliance and an effective grounding system. It is imperative that this basic safety requirement be met. If there is any doubt, have the electrical system of the house checked by a qualified electrician.
- ▶ Reliable and safe operation of this hood can only be guaranteed if it has been connected to the electrical supply.
- ▶ To avoid damaging the ventilation hood, make sure that the connection data (voltage and frequency) on the data plate correspond to the building's power supply before connecting the appliance.
If in doubt, consult a qualified electrician.
- ▶ Do not use a power bar or extension cord to connect the ventilation hood to electricity. These are a fire hazard and do not guarantee the required level of appliance safety.
- ▶ To ensure safe operation, only use the ventilation hood after it has been properly installed.
- ▶ This ventilation hood may not be used in non-stationary locations (e.g. on a ship).
- ▶ Adequate ventilation must be provided when the hood is operated simultaneously with devices that burn gas or other fuels.
- ▶ Only open the housing as described in the enclosed "Installation diagram" and in the "Cleaning and care" section of this manual. Under no circumstances should any other parts of the housing be opened.
Tampering with electrical connections or components and mechanical parts is highly dangerous to the user and can cause operation faults.

IMPORTANT SAFETY INSTRUCTIONS

- ▶ Defective components should be replaced by Miele original parts only. Only with these parts can safety of the appliance be assured as intended by the manufacturer.
- ▶ If the power cord is damaged, it must only be replaced by a qualified service technician.
- ▶ During installation, maintenance, and repair work, the ventilation hood must be disconnected from the electrical supply. It is only completely isolated from the electricity supply if one of the following applies:
 - The circuit breakers on the electrical service panel are tripped.
 - The screw-type fuses on the electrical service panel have been removed.
 - The power cord (if present) has been unplugged from the socket (pull the plug not the cord).

Correct use

- ▶ **WARNING: TO REDUCE THE RISK OF A COOKTOP GREASE FIRE:**
 - a) Never leave surface units unattended at high settings. Boilovers cause smoking and greasy spillovers may ignite. Heat oils slowly on low or medium settings.
 - b) Always turn the hood on when cooking at a high heat.
 - c) Clean the ventilation hood frequently. Grease should not be allowed to accumulate on the fan or filter.
 - d) Use the proper pan size. Always use cookware appropriate for the size of the cooking area.
- ▶ Open flames are a fire hazard.

The use of an open flame under the ventilation hood is not permitted. To avoid the danger of fire, do not flambé or grill over an open flame. When switched on, the ventilation hood could draw flames into the filter. Fat deposits could ignite, presenting a fire hazard.

IMPORTANT SAFETY INSTRUCTIONS

▶ **WARNING: TO REDUCE THE RISK OF INJURY TO PERSONS IN THE EVENT OF A COOKTOP GREASE FIRE, OBSERVE THE FOLLOWING*:**

- a) **SMOTHER FLAMES** with a close fitting lid, cookie sheet, or metal tray then turn off the burner. **BE CAREFUL TO PREVENT BURNS.** If the flames do not go out immediately, **EVACUATE AND CALL THE FIRE DEPARTMENT.**
- b) **NEVER PICK UP A FLAMING PAN** - You may be burned.
- c) **DO NOT USE WATER**, including wet dishcloths or towels - a violent steam explosion will result.
- d) Use a fire extinguisher **ONLY** if:
 - 1) You have a class ABC extinguisher, and you know how to operate it.
 - 2) The fire is small and contained in the area where it started.
 - 3) The fire department is being called.
 - 4) You can fight the fire with your back to an exit.

*Based on “Kitchen Fire Safety Tips” published by NFPA.

▶ The ventilation hood may become damaged if exposed to excessive heat from a gas cooktop.

- When using the ventilation hood over a gas cooktop, ensure that any burners in use are always covered by cookware. Turn burners off when removing the cookware, even if doing so for just a short time.
 - Select cookware that is suitable for the size of the burner.
 - Adjust the flame so that it never extends up the sides of the cookware.
 - Avoid overheating the cookware (e.g., when cooking with a wok).
- ▶ Always turn the ventilation hood on whenever a burner is in use to prevent damage from condensation.

IMPORTANT SAFETY INSTRUCTIONS

▶ Overheated oil and fat can ignite, causing fire damage to the ventilation hood.

Do not leave cookware, pans, and deep-fat fryers unattended when cooking with oil or fat. Similarly, never leave an open flame unattended when grilling.

▶ Fat and debris deposits impair the proper functioning of the ventilation hood.

To ensure that cooking vapors are properly cleaned, never use the ventilation hood without the grease filters in place.

▶ Please note that the heat rising from the stovetop during cooking can cause the ventilation hood to become very hot.

Do not touch the housing or the grease filters until the ventilation hood has cooled down.

IMPORTANT SAFETY INSTRUCTIONS

Proper installation

- ▶ **WARNING: TO REDUCE THE RISK OF FIRE, ELECTRIC SHOCK, OR INJURY TO PERSONS, OBSERVE THE FOLLOWING:**
 - a) Installation work and electrical wiring must be done by qualified person(s) in accordance with all applicable codes and standards, including fire-rated construction.
 - b) Sufficient air is needed for combustion and exhausting of gases through the flue (chimney of fuel burning equipment to prevent back drafting. Follow the heating equipment manufacturer's guideline and safety standards such as those published by the National Fire Protection Association (NFPA) and the American Society for Heating, Refrigeration and Air Conditioning Engineers (ASHRAE), and the local code authorities.
 - c) When cutting or drilling into the wall or ceiling, do not damage electrical wiring and other hidden utilities.
 - d) Ducted hoods must always be vented to the outdoors.
 - e) Do not use this hood with any solid-state speed control device.
- ▶ To determine whether a ventilation hood may be operated above your cooking appliance, please refer to the information provided by the appliance's manufacturer.
- ▶ Safety regulations prohibit the installation of a ventilation hood over solid fuel stoves.
- ▶ An insufficient safety distance between the cooktop and the ventilation hood can result in damage to the ventilation hood. The minimum safety distances between the top of the cooktop and the bottom of the ventilation hood given in the "Installation" section of this manual must be observed, unless the cooktop manufacturer states that a greater safety distance is required. If more than one cooking appliance is installed beneath the ventilation hood, and they have different minimum safety distances to the ventilation hood, select the greater distance.

IMPORTANT SAFETY INSTRUCTIONS

- ▶ The information provided in “Installation” must be observed when installing the ventilation hood.
- ▶ Components can have sharp edges which may cause injury. Wear gloves to protect your hands.
- ▶ When installing the exhaust duct, only use pipes or tubes made of non-flammable material. These can be obtained from your Miele dealer or from Miele Technical Service.
- ▶ Exhaust air should not be vented into a chimney or vent flue which is otherwise in use and should not be channeled into ducting which ventilates rooms with fuel-burning installations.
- ▶ If exhaust air is to be extracted into a chimney or ventilation duct no longer used for other purposes, seek professional advice.
- ▶ **WARNING: TO REDUCE THE RISK OF FIRE USE ONLY METAL DUCTWORK.**

IMPORTANT SAFETY INSTRUCTIONS

Cleaning and maintenance

- ▶ There is a risk of fire if cleaning is not completed according to the instructions in this manual.
- ▶ Never use a steam cleaner to clean the ventilation hood. The steam can reach the electrical components and cause a short circuit.

Accessories

- ▶ Use only genuine original Miele parts. If parts or accessories from other manufacturers are used, the warranty will become void.

Disposal of the packing material

The cardboard box and packing materials protect the appliance during shipping. They have been designed to be biodegradable and recyclable.

Ensure that any plastic wrappings, bags, etc. are disposed of safely and kept out of the reach of children.
Danger of suffocation!

Disposal of your old appliance

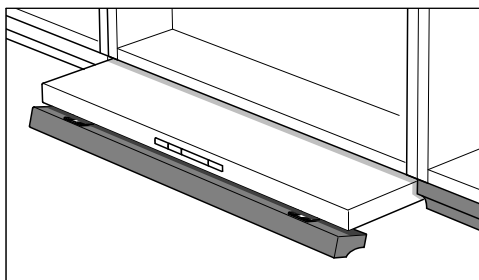
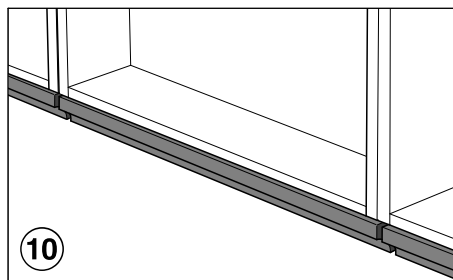
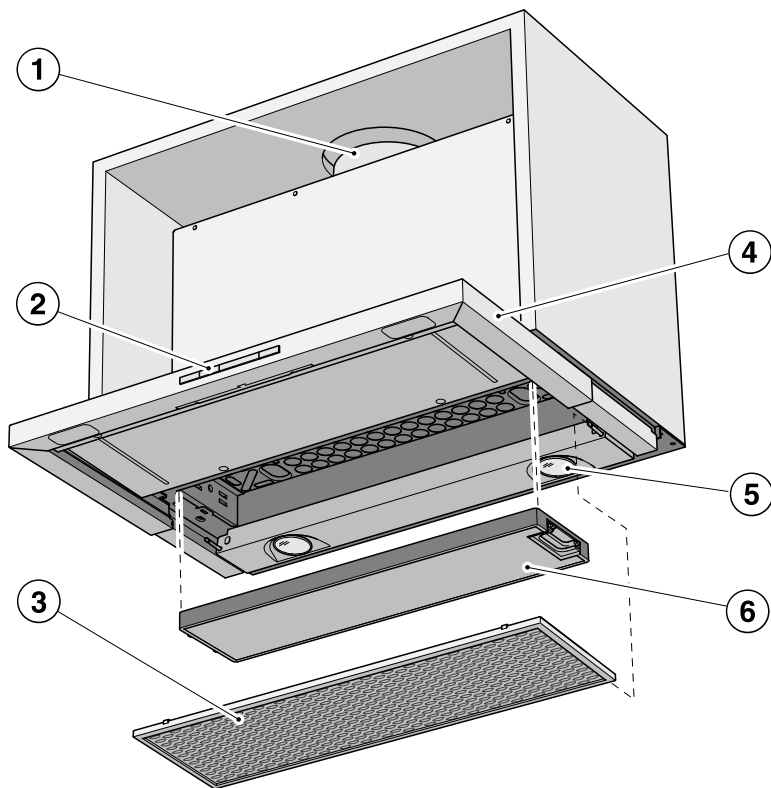
Electrical and electronic appliances contain valuable materials. They also contain certain substances, compounds and components which were essential for the proper functioning and safe use of the equipment. Handling these materials improperly by disposing of them in your household waste can be harmful to your health and the environment. Therefore, please do not dispose of your old appliance with regular household waste and follow local regulations on proper disposal.



Consult with local authorities, dealers or Miele in order to dispose of and recycle electrical and electronic appliances. Miele assumes no responsibility for deleting any personal data left on the appliance being disposed. Please ensure that your old appliance is kept away from children until removal. Observe safety requirements for appliances that may tip over or pose an entrapment hazard.

Guide to the appliance

GB2411



- ① Exhaust connection for extraction mode/recirculation
- ② Controls
- ③ Grease filters
- ④ Expandable fume deflector
- ⑤ Overhead LED ClearView lighting
- ⑥ OdorFree Charcoal filter
Optional accessory for recirculation mode
- ⑦ On / Off button for fan
- ⑧ Buttons for setting the fan power
- ⑨ On / Off button for the Overhead LED ClearView lighting
- ⑩ Drop-down front panel
The front panel of the fume deflector can be fitted with one that matches your kitchen cabinetry instead (DML 400 installation kit required).

Description of functions

The following functions are available on your ventilation hood, depending on the model:

Extraction mode



Air entering through the intake is cleaned by the grease filters and conducted out of the building.

Recirculation mode

(Recirculation mode hoods require a Recirculation kit an OdorFree Charcoal Filter (available as optional accessories), see “Technical Data” for more information.)



Air entering through the intake is first cleaned by the grease filters and then by an OdorFree Charcoal Filter. The cleaned air is then recirculated back into the kitchen.


dafr0494a

dafr0494b

Turning on the blower

Switch the blower on as soon as you start cooking. This is to ensure that vapors are captured right from the start.

- Pull out the canopy. For optimum extraction with minimum noise levels, always pull the canopy out to its full extent.

The blower turns on at level **2**. The  symbol and **2** will light up in the blower level display.

Selecting the power level



Power levels **1** to **3** are available for light to heavy cooking vapors and odors.

For strong vapors and odors that are temporarily produced when cooking, e.g., during searing, select the **B** Booster setting.

- Select the power level you want by pressing the **—** or **+** control.

Automatic Booster setting switch-off


You have the option to program the booster level to ensure the fan will always switch back to level **3** automatically after 10 minutes.

- To set this option, both the blower and the overhead lighting must be turned off and the fume deflector pushed in.
- Press the **—** and **+** buttons at the same time for approx. 10 seconds, until **1** lights up.
- Then, press the following buttons in succession:
 - the lighting button ,
 - followed by the **—** button and then
 - the lighting button  again.

If automatic switch-off is not activated, the **1** and **B** displays will flash.

- To activate it, press the **+** button.

If **1** and **B** are lit, automatic switch-off is activated.

- To deactivate it, press the **—** button.
- Use the On/Off button  to confirm your choice of setting.
If you do not confirm within 4 minutes, the system will revert to the old setting.

Operation


Delayed shut-down


- It is advisable to run the blower for a few minutes after cooking has finished.

This helps to neutralize any lingering vapors and odors in the air.

It also reduces the risk of residues accumulating in the ventilation hood and any resulting odors.


Turning off the blower


- Push in the fume deflector to switch off the blower. The next time the fume deflector is pulled out, the hood will operate at power level **2**, or
- Press the On/Off button  to turn the blower off.

The  symbol will go out.

Turning the overhead lighting on/off


The overhead lighting can be turned on and off independently from the blower.

- You can turn the overhead lighting on and off by pulling out the fume deflector and pushing it in again or by pressing the lighting button .

The  symbol is lit when the overhead lighting is turned on.

Safety switch-off


If the ventilation hood is switched on but not used for 10 hours, the fan shuts off automatically. The cooktop lighting remains switched on.

- Pressing the On/Off button  will switch the fan back on again.

This hood operates in a very efficient and energy-saving manner. The following will help you to save even more energy when using it:

- Ensure that there is sufficient ventilation in the kitchen when cooking. If there is insufficient air flow during extraction mode, the hood cannot operate efficiently, causing increased operating noise levels.
- Always cook with the lowest possible setting. This produces fewer cooking vapors so that you can use a lower hood power level and therefore benefit from reduced energy consumption.
- Check the power level selected on the hood. A lower power level is generally sufficient for the majority of cooking. Only use the booster level when necessary.
- When a large volume of cooking vapors are being produced, switch to a high power level in good time. This is more efficient than operating the hood for longer to try to capture cooking vapors that have already been distributed throughout the kitchen.
- Make sure that you switch off the hood after use.
- Clean or change the filters at regular intervals. Heavily soiled filters reduce performance, increase the risk of fire and are unhygienic.

Cleaning and care

 Before proceeding with any maintenance or cleaning task, the ventilation hood must be disconnected from the power supply, see “IMPORTANT SAFETY INSTRUCTIONS”.


Stainless steel housing

General information

Unsuitable cleaning agents can damage the surfaces and control elements.

Do not use any cleaning agents containing soda, acid, chloride, or solvent.

Do not use any abrasive cleaning agents, e.g., powder cleaners or cream cleaners and abrasive sponges, as well as pot scourers or sponges which have been used previously with abrasive cleaning agents

 Moisture in the ventilation hood can cause damage.
Make sure that water does not get into the ventilation hood.

- Clean all surfaces and control buttons using a small amount of warm water and liquid dish soap. Apply with a sponge cloth.
- After cleaning, wipe the surfaces dry using a soft cloth.

Important information for appliances with stainless steel surfaces

This information does not apply to the control buttons.

Stainless steel surfaces can be cleaned with a non-abrasive cleaning agent designed specifically for use on stainless steel.

To prevent the surfaces from quickly becoming dirty again, we recommend treating them with a stainless steel care product (available from Miele).

Important information for the controls

If soiling is not removed promptly, it could cause the control elements to alter or discolor.
Remove soiling immediately.

The surface of the control elements can become damaged if they are cleaned using stainless steel cleaning agents.
Do not use stainless steel cleaning agents on the control elements.

Grease filter

 Risk of fire

An oversaturated grease filter is a fire hazard.

Clean the grease filter at regular intervals.

The re-usable metal grease filter in the appliance removes solid particles from the kitchen vapors (grease, dust, etc.), preventing soiling of the ventilation hood.


The grease filter must be cleaned at regular intervals.

A heavily soiled grease filter hinders air extraction and will lead to increased levels of soiling in the ventilation hood and in the kitchen.

Cleaning intervals

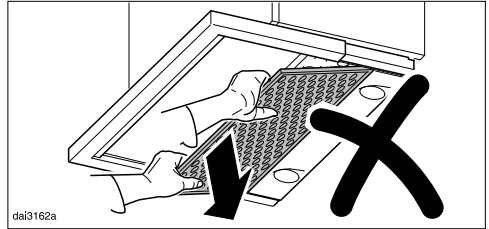
Accumulated grease solidifies over a longer period of time and makes cleaning more difficult. The grease filter should therefore be cleaned at least every 3 to 4 weeks.

Removing the grease filters

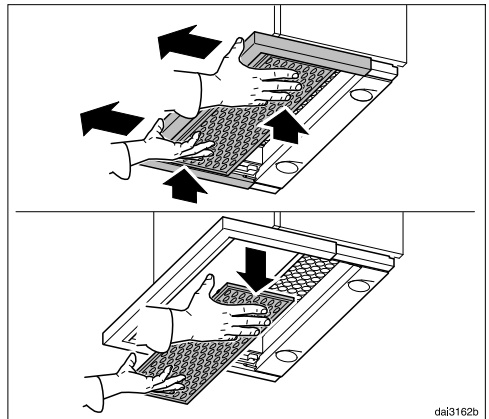
 When handling the grease filter, be careful not to drop it.

This can result in damage to the filter and the cooktop below.

Make sure you hold the filter securely at all times when handling it.



When removing the grease filter, do not tilt it downwards at an angle. This can damage the retaining pins.



- With the fume deflector pushed in, grip the front of the fume deflector and hold the grease filter securely. While holding the grease filter, pull the fume deflector out as shown.
- Then pull the filter downwards to remove it.
- Turn off the blower.

Cleaning and care

Cleaning the grease filter by hand

- Clean the filters with a soft nylon brush in a mild solution of hot water and dish soap. Do not use undiluted dish soap.

Unsuitable cleaning agents

Unsuitable cleaners can cause damage to the filter surfaces if used regularly. Do not use any of the following:

- Lime removers
- Abrasive powders or abrasive liquids
- Aggressive all-purpose cleaners and degreaser sprays
- Oven sprays

Cleaning the grease filter in a dishwasher

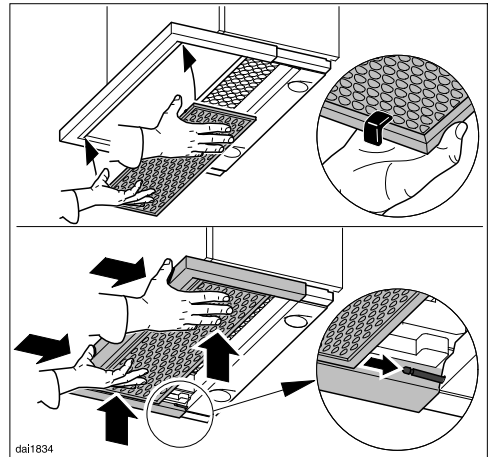
- Place the grease filter upright or slightly inclined in the lower basket. Ensure the spray arm is not obstructed.
- Use a commonly available household dishwashing detergent.
- In a Miele dishwasher use the “Normal” program.

Depending on the detergent used, cleaning the filter in a dishwasher may cause the inside filter surfaces to become discolored. However, this will not affect the functioning of the grease filter in any way.

After cleaning

- After cleaning, leave the filters on an absorbent surface to dry.
- When removing the filter for cleaning, also clean off any residues of oil or fat from the now accessible casing to prevent the risk of these catching fire.

Installing the grease filter



- When installing the grease filter, make sure that the red plastic guides are at the front and facing upwards.
- Place the grease filter in the front of the fume deflector, press it upwards and push it in together with the fume deflector. It will slide onto the retaining pins at the back. Finally, push the grease filter back a little more.

OdorFree Charcoal Filter

With recirculation mode, a charcoal filter must be installed in addition to the grease filter. The charcoal filter is designed to absorb cooking odors.

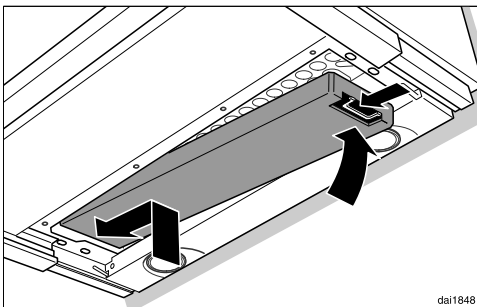
The charcoal filter is installed in the canopy above the grease filters.

Charcoal filters are available to order via the Miele Web Store, Miele Customer Service (see end of this manual for contact details), or from your Miele dealer.

The model designations are listed in the “Technical data” chapter.

Installing/replacing the charcoal filter

- To install or replace the charcoal filter, the grease filters must first be removed as described above.
- Remove the charcoal filter from its packaging.



- Fit the charcoal filter into the frame.
- Replace the grease filter.

When to change the OdorFree Charcoal Filter

- Replace the charcoal filter when it no longer absorbs kitchen odors effectively.
It should be replaced at least every 6 months.

Disposing of charcoal filters

- Used charcoal filters can be disposed of with normal household waste.

Cleaning and care

Changing a light bulb

The bulbs should be replaced with the following:

Bulb type LED, GU10
Power 3W

Replacement bulbs are available from Miele.

- Pull out the fume deflector, and remove the grease filter as described above.
- Turn off the blower and the lighting.

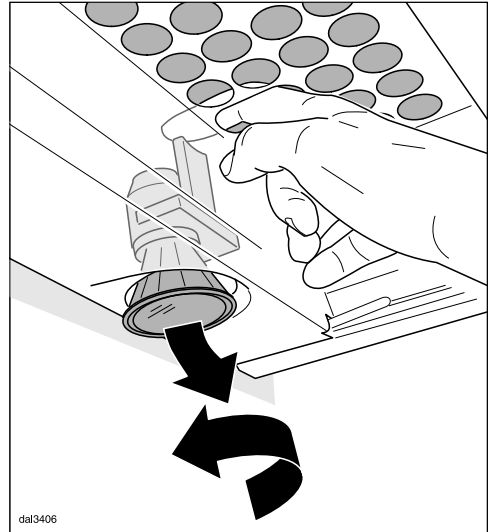


Please note that bulbs become very hot during use.

They can cause burns even after being shut off for some time.


Allow the bulbs to cool down for a few minutes before changing them.

- Remove the charcoal filter if the hood is being used in recirculation mode.
- Disconnect the hood from the electrical supply before replacing the bulbs (see “IMPORTANT SAFETY INSTRUCTIONS”).



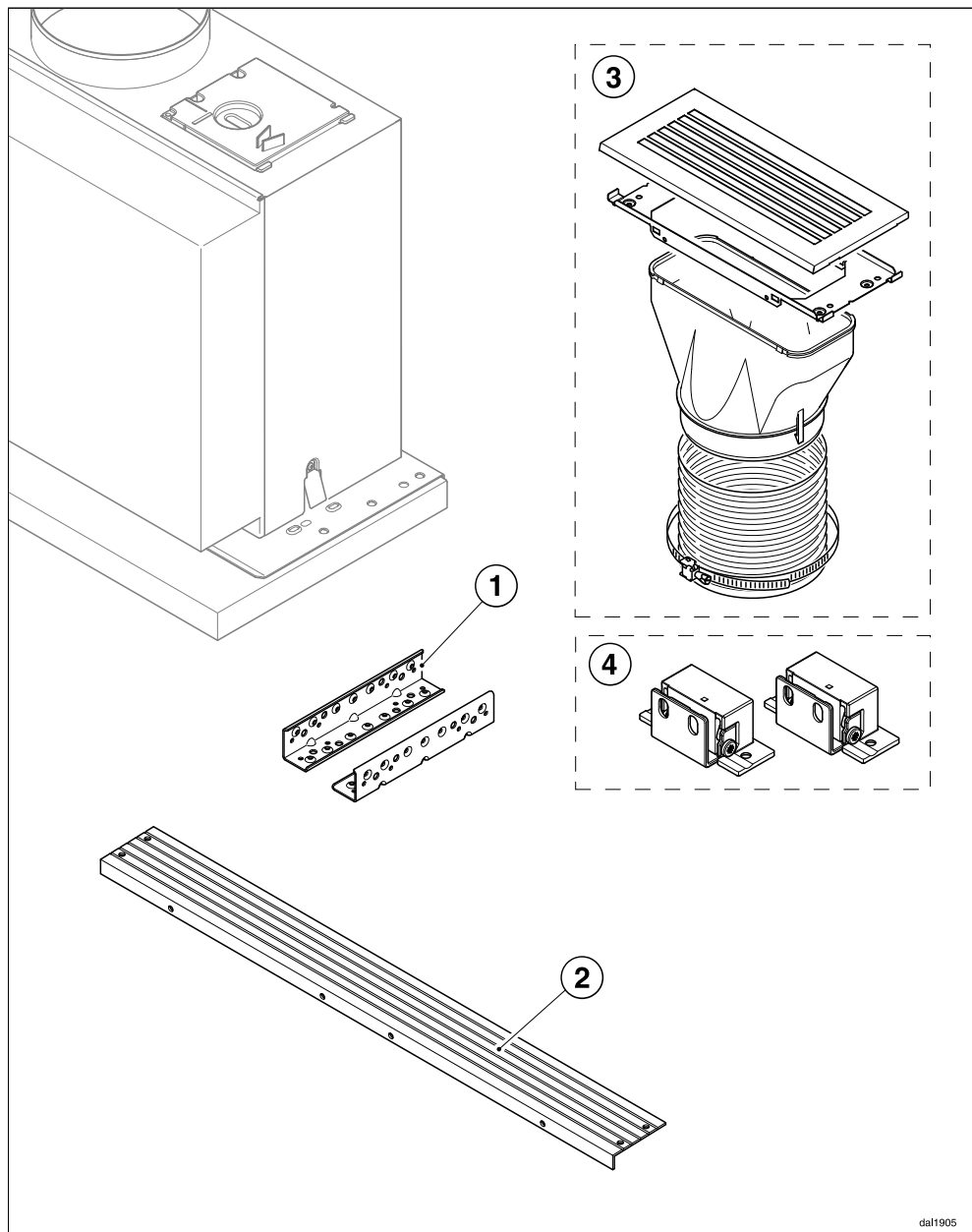
- Reach through the opening in the safety panel and push the lighting unit slightly downwards.
- Turn the bulb counter-clockwise and pull it out.
- Screw the new bulb into the socket and push it upwards. Please follow the manufacturer's safety instructions.
- Replace the grease filter and, if being used in recirculation mode, the charcoal filter.

Before installation

 Before installation, it is important to read the information contained in this chapter and in the “IMPORTANT SAFETY INSTRUCTIONS” chapter.

Installation

Installation parts



dal1905

① **2 brackets**

for securing the hood in the wall unit.

② **1 spacer strip**

for concealing the gap between the rear of the appliance and the wall.

③ **Recirculation kit for recirculation mode**

(not supplied, but available as an optional accessory - see “Technical data”). The kit contains an exhaust grille and flexible aluminum hose with hose clips.

④ **DML 400 installation kit for fitting a drop-down front panel**

(not supplied but available as an optional accessory). Contains hinging and screws for fitting a front panel to match kitchen cabinetry.



8 screws 4 x 15 mm

for securing the hood in the wall unit.



8 screws M4 x 12 mm

for securing the hood to the brackets. 4 of the screws can be used instead of the plastic rivets to secure the spacer strip.



2 screws 4 x 15 mm for fastening the hood to the rear panel.



4 plastic rivets

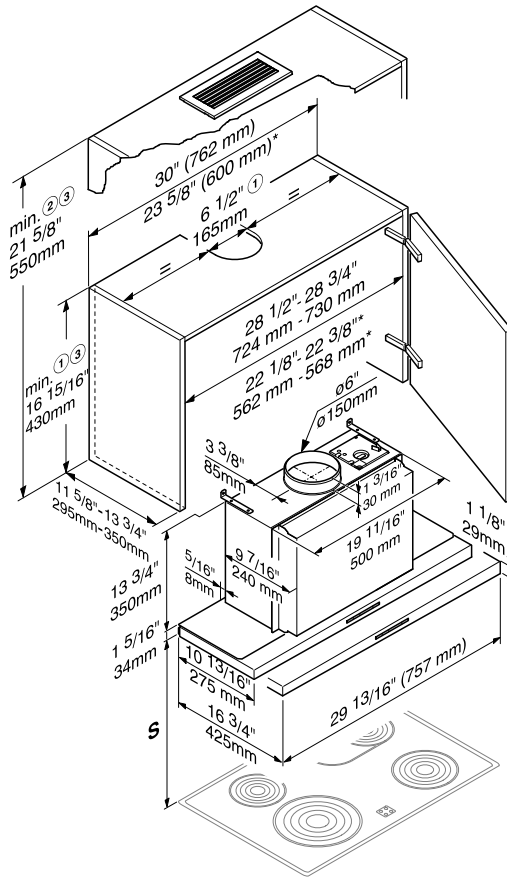
for securing the spacer strip.

04952511

07270730

01056271

08269410



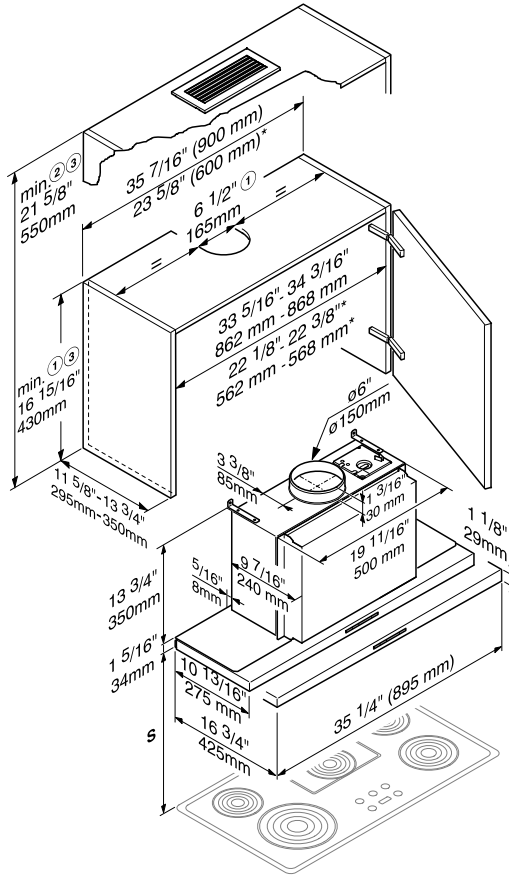
DA 3486

- ① For extraction mode: The height of the cabinet and the cut-out dimensions must take account of any accessories installed.
- ② Recirculation mode with DUU 151 conversion kit.
- ③ For Canada: When installing the ventilation hood with a DAR 3000 drop-down frame, make sure that you note the different cabinet height (please refer to the dimensions given in the DAR 3000 Installation diagram).

* Installation is also possible in a 23 5/8" (600 mm) wide cabinet.

Installation

dai3042us



DA 3496

- ① For extraction mode: The height of the cabinet and the cut-out dimensions must take account of any accessories installed.
- ② Recirculation mode with DUU 151 conversion kit.
- ③ For Canada: When installing the ventilation hood with a DAR 3000 drop-down frame, make sure that you note the different cabinet height (please refer to the dimensions given in the DAR 3000 Installation diagram).

* The ventilation hood can also be installed in a $23 \frac{5}{8}''$ (600 mm) wide cabinet (a DAR 3000 drop-down frame cannot be used in this instance).

Distance between cooktop and ventilation hood (S)

Provided a larger distance is not given by the manufacturer of the cooktop, follow the minimum safety distances between a cooktop and the bottom of the hood.

Please also observe the information contained in the “IMPORTANT SAFETY INSTRUCTIONS” section.

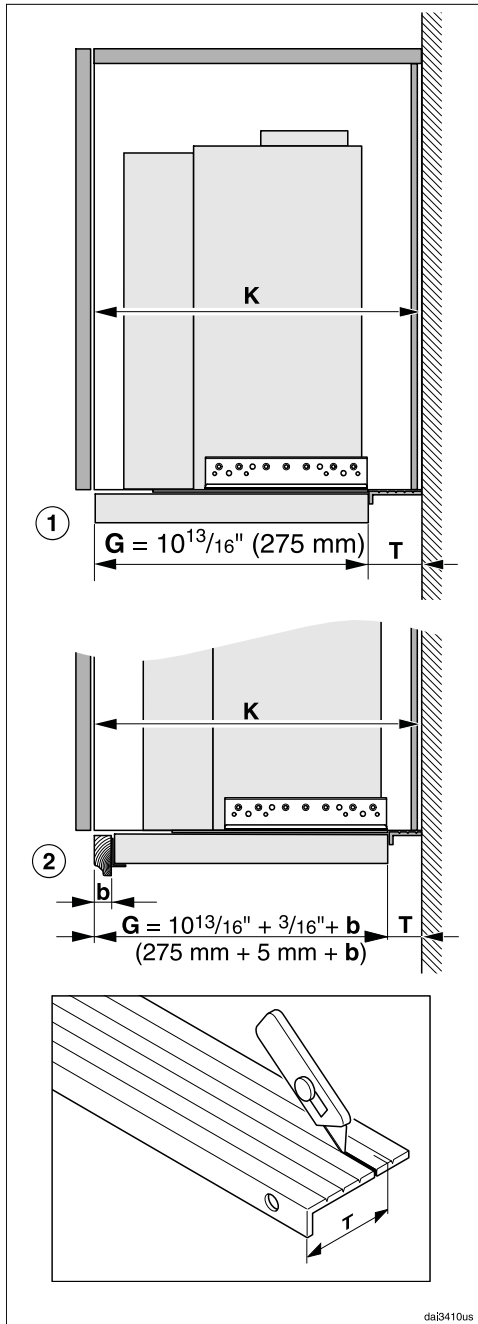
Cooking appliance	Minimum distance S	
	Miele appliance	Non-Miele appliance
Electric Cooktops	24" (610 mm)	
Electric Barbeques and Fryers	26" (660 mm)	
Multiburner Gas Cooktops ≤ 43,000 BTU/hr (12.6 kW), no burner > 15,000 BTU/hr (4.5 kW).	26" (660 mm)	30" (760 mm)
Multiburner Gas Cooktops ≤ 73,800 BTU/hr (21.6 kW), no burner > 16,500 BTU/hr (4.8 kW)	30" (760 mm)	
Multiburner Gas Cooktops > 73,800 BTU/hr (21.6 kW), or one of the burners > 16,500 BTU/hr (4.8 kW)	Not possible	
Single Burner Gas Cooktops ≤ 20,500 BTU/hr (6 kW)	26" (660 mm)	30" (760 mm)
Single Burner Gas Cooktops > 20,500 BTU/hr (6 kW) ≤ 27,600 BTU/hr (8.1 kW)	30" (760 mm)	
Single Burner Gas Cooktops > 27,600 BTU/hr (8.1 kW)	Not possible	

If you are installing a front panel made of wood or plastic to the hood, observe the safety distances given by the cooktop manufacturer regarding the use of easily flammable materials.

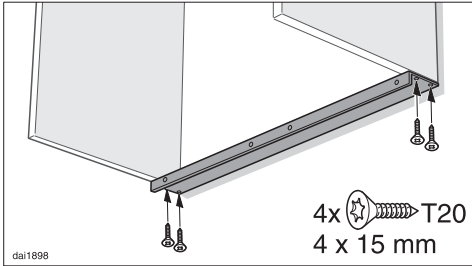
Installation

Installation recommendations

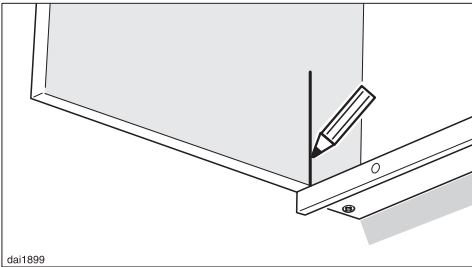
- To achieve optimum vapor extraction, the hood must be centered over the cooktop, not to the side.
- The cooktop should be no wider than the hood. Preferably, it should be narrower for better extraction.
- The mounting area must be easily accessible. The ventilation hood should be easy to reach and disassemble in case a service call is necessary. This should be taken into consideration when planning the position of cabinetry, shelves, ceilings or decorative elements in the vicinity of the ventilation hood.



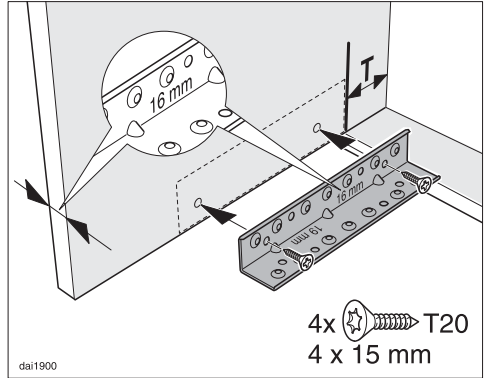
Installation



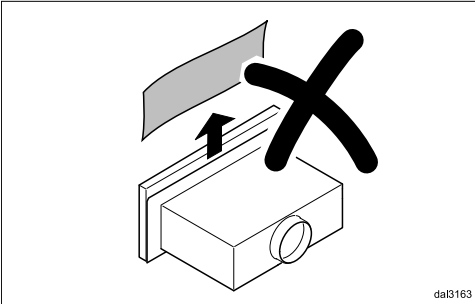
- Secure the spacer strip underneath the sides of the cabinetry, flush with the rear wall.



- Draw a vertical line up both inside walls of the cabinetry from the front of the spacer strip.

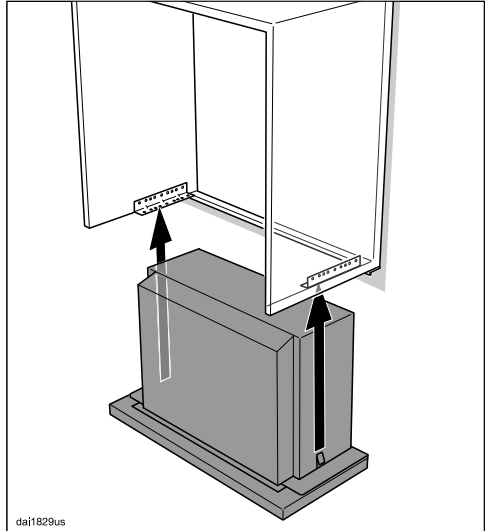


- The brackets are designed for $\frac{5}{8}$ " and $\frac{3}{4}$ " (16 and 19 mm) thick unit sides. Orientate the bracket so that the vertical depth matches the thickness of the unit side. Screw the brackets onto the right and left inside walls of the housing unit as shown. The back edge of the bracket should align with the vertical line drawn up from the front of the spacer strip and the lower edge should align with the lower edge of the cabinetry side wall.



dai163

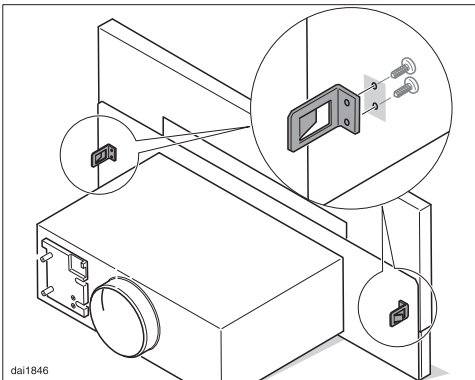
To avoid scratching the fume deflector, do not remove the protective film between the fume deflector and the casing until the hood has been placed in the cabinetry



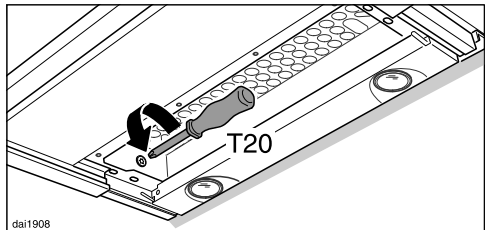
dai182bus

- Installation of the hood is carried out without the grease filter placed in position. If the grease filter has already been fitted, then it should be removed (see “Cleaning and care”).

- Lift the appliance up into the cabinetry from below until the spring mounts at the side engage in the brackets.
- Push the hood back against the spacer strip.



dai1846

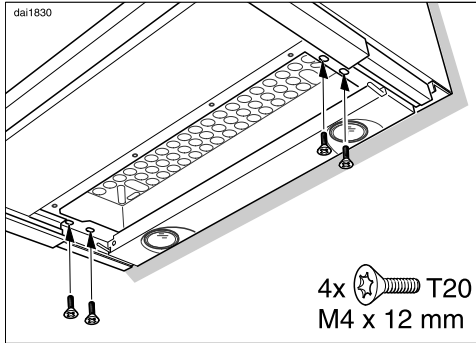


dai1908

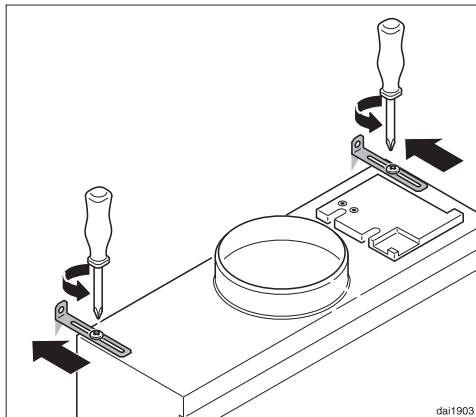
- When installing a $31 \frac{1}{2}$ " or $35 \frac{7}{16}$ " (80 or 90 cm) wide hood in a $23 \frac{5}{8}$ " (60 cm) wide wall unit while the fume deflector is pulled out, unscrew the two fume deflector spring mounts.

- Note for dismantling the hood: Removing the screws on the left and right inside the cabinetry releases the spring mounts, allowing the appliance to be removed from the unit.

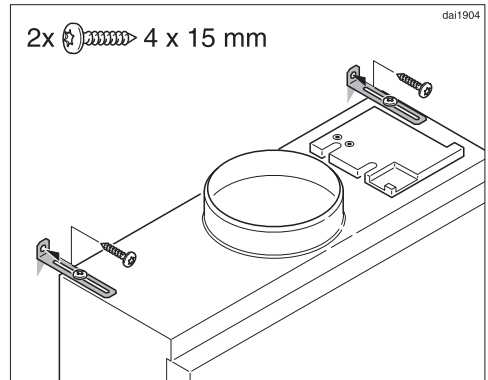
Installation



- Secure the hood to the brackets from below using two screws on each side.

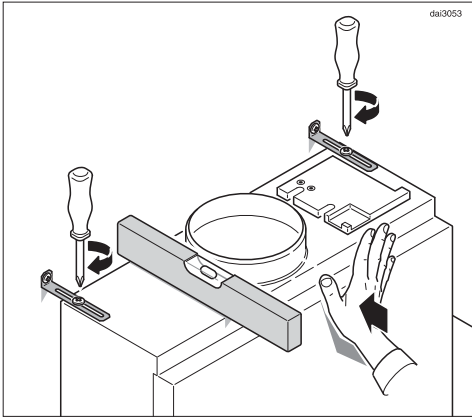


- Loosen the retaining bracket screws and push the brackets back against the rear wall.



- Attach the retaining bracket to the rear panel.

The casing needs a stable attachment to the rear panel. If this is not guaranteed, the casing can incline forward and damage the fume deflector when it is being pulled out and pushed in. If the cabinet does not have a stable rear panel, the fastening bracket must be attached to the kitchen wall. To do so, use suitable means of fastening.



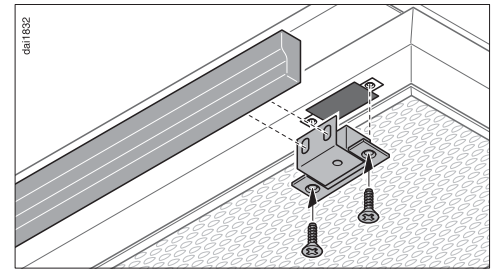
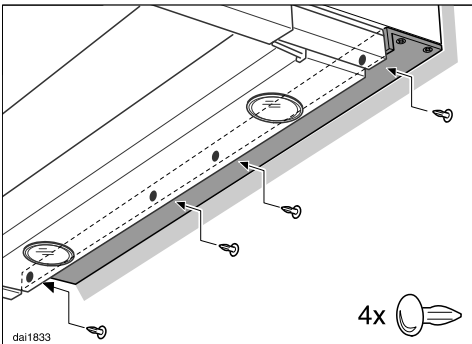
Attaching the front panel

The front of the fume deflector can be fitted with a front panel to match existing cabinetry.

The front panel must not exceed approx. 2.8 lbs. (1300 g). This applies to front panels with a depth of up to approx. 1" (30 mm). For larger and heavier front panels, the weight must be reduced.

A DML 400 installation kit, available as an optional accessory, is required for fitting a front panel.

- Align the casing and screw the retaining bracket onto the casing.



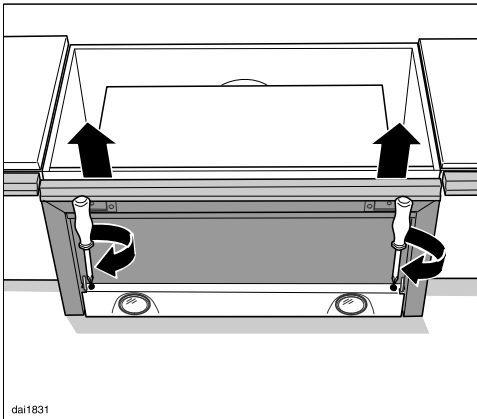
- Follow the installation instructions supplied.

- Secure the spacer strip to the back of the appliance from behind using 4 plastic rivets as shown.

Installation

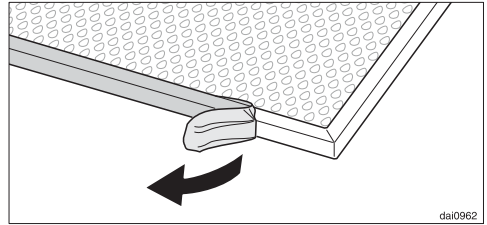
Aligning the fume deflector

The position of the fume deflector can be brought forward by up to approx. $1 \frac{3}{8}$ " (35 mm) using the adjusting screws on either side of the fume deflector. This allows the fume deflector to be aligned to the front of the cabinetry on either side.

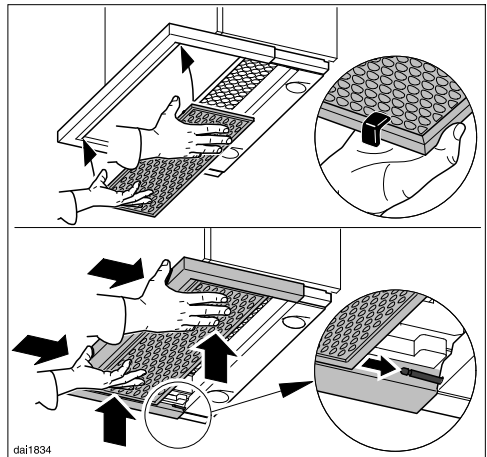


- Use a screwdriver to align the fume deflector correctly.

Installing the grease filter

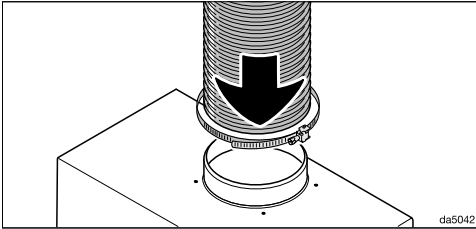


- Remove the protective foil around the edge of the grease filter.



- When installing the grease filter, make sure that the red plastic guides are at the front and facing upwards.
- Place the grease filter in the front of the fume deflector, press it upwards and push it in together with the fume deflector. It will slide onto the retaining pins at the back. Finally, push the grease filter back a little more.

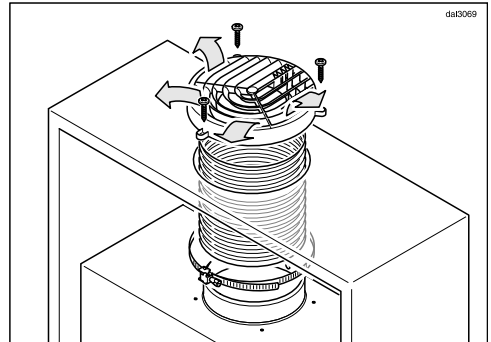
Connecting the exhaust ducting



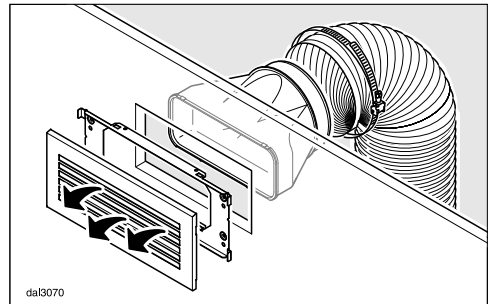
- Attach the exhaust ducting, e.g., flexible hose, to the exhaust socket using a hose clip (available as an optional accessory).

Setting up recirculation mode

If site conditions are not suitable for the ventilation hood to be used with vented extraction, it must be set up for recirculation. A conversion kit, available from a specialist dealer or from Customer Service, is required for operating the ventilation hood in recirculation mode. You will also need a charcoal filter (see “Technical data”).



Conversion kit DUU 150 with a plastic grille is suitable for installing in a concealed area at the top of the cabinet.



Conversion kit DUU 151 with a stainless steel grille is recommended if the grille is to be installed in a visible area.

Installation

- Install the conversion kit as described in the kit's installation instructions. Make sure that the slats in the exhaust grille point toward the center of the room and not toward a wall or the ceiling.
- Install the charcoal filter (see "Cleaning and care").

Power supply

Refer to the notes in "Electrical connection" and "IMPORTANT SAFETY INSTRUCTIONS" before connecting to the electricity supply.

- Connect the hood to the electrical supply.

Electrical connection

WARNING: TO REDUCE THE RISK OF FIRE, ELECTRIC SHOCK, OR INJURY TO PERSONS, OBSERVE THE FOLLOWING:

All electrical work should be performed by a qualified electrician in strict accordance with national regulations (for USA: ANSI-NFPA 70) and local safety regulations.

Installation, repairs and other work by unqualified persons could be dangerous.

Ensure that power to the appliance is OFF while installation or repair work is performed.

Verify that the voltage, load and circuit rating information found on the data plate (see "Technical Service"), match the household electrical supply before installing the hood.

Use only with ventilation hood cord-connection kits that have been investigated and found acceptable for use with this model hood.

If there is any question concerning the electrical connection of this appliance to your power supply, please consult a licensed electrician or call Miele's Technical Service Department.

WARNING: THIS APPLIANCE MUST BE GROUNDED

Grounding Instructions

WARNING - Improper grounding can result in a risk of electric shock.

This appliance must be grounded. In the event of an electrical short circuit, grounding reduces the risk of electric shock by providing a path of least resistance. This appliance is equipped with a cord having a grounding wire with a grounding plug.

If there is any doubt, have the electrical system of the house checked by a qualified electrician.

Do not use an extension cord. If the power supply cord is too short, have a qualified electrician install an outlet near the appliance.

- The plug must be plugged into an outlet that is properly installed and grounded.

WARNING - Grounding instructions (Canada)

The grounding-type attachment plug shall be connected to a grounding-type receptacle installed in accordance with CSA C22.1-12, Canadian Electrical Code, Part I.

Air venting

WARNING: Danger of toxic fumes. Gas cooking appliances release carbon monoxide that can be harmful or fatal if inhaled.

To reduce the risk of fire and to properly exhaust air, the exhaust gases extracted by the hood should be vented outside of the building only.

Do not vent exhaust air into spaces within walls or ceilings or in attics, crawl spaces or garages.

To reduce the risk of fire, only use metal ductwork.

Please read and follow the "IMPORTANT SAFETY INSTRUCTIONS" to reduce the risk of personal injury. Follow all local building codes when installing the hood.

Only use smooth pipes or flexible ducting made from approved non-flammable materials for ducting.

To achieve the most efficient air throughput with the lowest noise levels, please note the following:

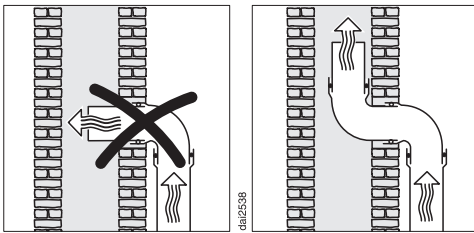
- The diameter of the vent ducting must not be smaller than the cross-section of the vent collar (see "Appliance dimensions"). This applies in particular when using flat ducting.
- The ducting should be as short and straight as possible.
- Only use wide radius bends.
- The ducting must not be kinked or compressed.

Installation

- All connections must be strong and airtight.
- If the ducting has flaps, these must be opened whenever the ventilation hood is switched on.

Any constriction of the air throughput will reduce extraction performance and increase operating noise.

Ventilation stack



If the exhaust air is to be ducted into a flue, the ducting must be directed in the flow direction of the flue.

If the flue is used by several ventilation units, the cross-section of the flue must be large enough.

Non-return flap

- Use a non-return flap in the vent system.

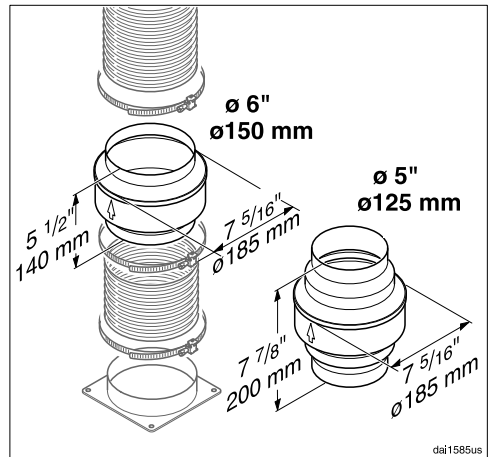
If the exhaust is ducted through an outside wall, a Miele wall vent or roof vent (available as an optional accessory) is recommended. Both of these have a built-in non-return flap.

If the on-site vent system does not have a non-return flap, you can purchase one as an optional accessory.

Condensate

If the ducting is to run through cool rooms or ceiling space, for example, the significant variations in temperature between the different areas can cause condensate to form. Insulate the ducting to reduce temperature variations.

If the ducting is to be laid horizontally, it must be laid with a downwards sloping gradient of at least $\frac{3}{8}$ " (1 cm) per meter. This is to ensure that condensate cannot drain back into the ventilation hood.



In addition to insulating the ducting, it is advisable to also install a condensate trap for collecting and evaporating any potential condensate.

Condensate traps for 5" (125 mm) or 6" (150 mm) diameter ducting are available as optional accessories.

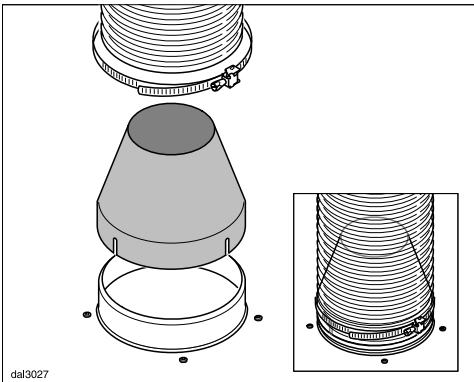
When installing a condensate trap, ensure that it is positioned vertically and as closely as possible to the

ventilation hood above the exhaust vent. The arrow on the casing indicates the direction of airflow.

Miele will not accept warranty claims for any functional defects or damage caused by inadequate ducting.

Reducing Collar

(optional accessory)



If you would like to reduce the environmental impact of your ventilation system by limiting the CFM output the Reducing Collar can be installed. It reduces the air flow to less than 400 CFM. Check local building codes for max. CFM requirements.

- Push the Reducing Collar on the exhaust port of the blower.
- Push the exhaust hose over it.
- Secure both with a hose clamp.

Customer Service

Contact in the event of a fault

In the event of a fault which you cannot remedy yourself, please contact your Miele dealer or Miele Customer Service.

You can book a Miele Service Call online at www.miele.com/service.

Contact information for Miele Customer Service can be found at the end of this document.

Please quote the model identifier and serial number of your appliance (SN) when contacting Miele Customer Service. Both pieces of information can be found on the data plate.

Location of the data plate

The data plate is visible once you have removed the grease filters.

Appliance warranty and product registration

You can register your product and/or view the manufacturer's warranty terms and conditions for Miele appliances and vacuum cleaners at www.mieleusa.com.

MieleCare

This service is available in USA only.

MieleCare, our Extended Service Contract program, gives you the assurance of knowing that your appliance investment is covered by 5 years of worry free ownership.

MieleCare is the only Extended Service Contract in the industry that guarantees repairs by a Miele Authorized Service Provider using genuine Miele parts. Only genuine Miele parts installed by factory trained professionals can guarantee the safety, reliability, and longevity of your Miele appliance.

Please note that unless expressly approved in writing by Miele's Service department, Extended Service Contracts offered by other providers for Miele products will not be recognized by Miele. Our goal is to prevent unauthorized (and untrained) service personnel from working on your Miele products, possibly doing further damage to them, you and/or your home.

To learn more about **MieleCare** Extended Service Contracts, please contact your appliance dealer or visit us online at: www.mieleusa.com

Technical data

Blower motor	350 W
Overhead lighting	2 x 3 W
Total connected load	356 W
Supply voltage, frequency	120 V AC, 60 Hz
Fuse rating	15 A
Power cord length	2.5 ft (0.75 m)
Weight	
DA 3466	27.6 lbs (12.5 kg)
DA 3486	29.8 lbs (13.5 kg)
DA 3496	32 lbs (14.5 kg)

Optional accessories for recirculation mode:
Recirculation kit DUU 151 and charcoal filter DKF 13-900

**Please have the model and serial number
of your appliance available when
contacting Customer Service.**

U.S.A.

Miele, Inc.

National Headquarters

9 Independence Way
Princeton, NJ 08540
Phone: 800-843-7231
Fax: 609-419-4298
www.mieleusa.com

Customer Service & Support

Phone: 888-99-MIELE(64353)
Fax: 888-586-8056
service@mieleusa.com

International Headquarters

Miele & Cie. KG
Carl-Miele-Straße 29
33332 Gütersloh
Germany

Canada

**Importer
Miele Limited**

Headquarters and Miele Centre

161 Four Valley Drive
Vaughan, ON L4K 4V8
www.miele.ca

Customer Care Centre

Phone: 800-565-6435
905-532-2272
customercare@miele.ca

DA 3466
DA 3486
DA 3496