

## 24" Extra-Slim Insert Hood

DA 2360 Stainless Steel



# 24" Extra-Slim Insert Hood DA 2360 Stainless Steel



## DA 2360 Features:

- Integrated LED ClearView lighting
- Straight stainless steel canopy
- Front Mounted backlit controls
- Designed for vented or recirculated use
- For wall cabinet installation
- Removable, dishwasher-safe stainless steel filters
- 4 fan speeds including intensive
- Automatic shut-off of intensive level, programmable for 10 minutes

### SPECIFICATIONS

DA 2360 — Item 28236055USA

Overall Unit Width	23" (584 mm)
Overall Unit Height	13 <sup>5</sup> / <sub>16</sub> " (338 mm)
Overall Unit Depth	11 <sup>1</sup> / <sub>16</sub> " (297 mm)

#### Built-In

Minimum Opening Width	22 <sup>1</sup> / <sub>4</sub> " (565 mm)
Minimum Opening Depth	10 <sup>7</sup> / <sub>8</sub> " (276 mm)
Minimum Opening Height	12 <sup>5</sup> / <sub>8</sub> " (320 mm)

#### Fan

Fan Speeds	4
Maximum CFM	625 CFM, (Reducing Collar is available to reduce Air flow to less than 400 CFM, more information on page 7)

#### Duct

Duct Diameter	6" (150 mm)
---------------	-------------

#### Electrical

Electrical Requirements	120V, 60Hz, 15A
Power Cord	Molded NEMA 5-15 plug, 2.5 ft (0.75 m)

#### Shipping

Shipping Weight	24 lbs (11 lbs)
Shipping Dimensions	26 <sup>3</sup> / <sub>4</sub> " W x 16 <sup>15</sup> / <sub>16</sub> " H x 16 <sup>15</sup> / <sub>16</sub> " D

#### Support

Call Miele	(800) 999-1360
Miele Website	<a href="http://www.mieleusa.com">www.mieleusa.com</a>
20/20 Link	<a href="http://2020technologies.com">2020technologies.com</a>

### Installation Accessories:



DUU 150

Recirculation kit



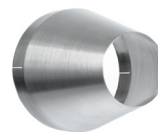
DUU 151

Recirculation kit



DKF19-1

OdorFree Charcoal filter  
required accessory for  
recirculation mode



Reducing collar

Reducing collar limits air  
flow to less than 400 CFM



DAA6

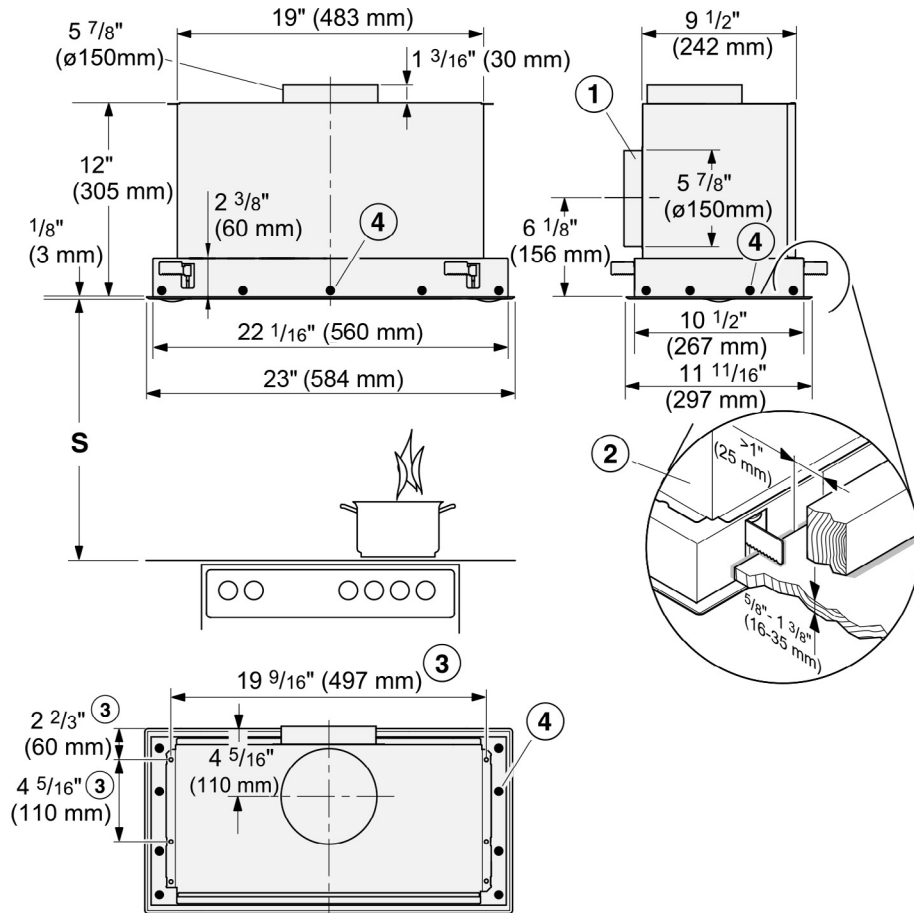
6" Trim Kit

# 24" Extra-Slim Insert Hood DA 2360 Stainless Steel

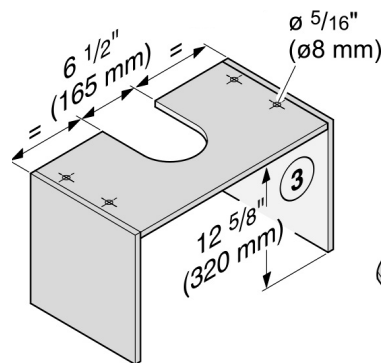


## INSTALLATION SPECIFICATIONS

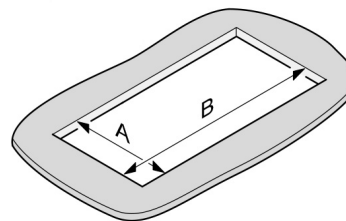
### Product Details



### Cut-Out Details



A	B
10 7/8" (±1/8") 276 <sup>±3</sup> mm	22 1/4" (±1/8") 565 <sup>±3</sup> mm



- ① The ducting can also be connected at the back.
- ② The ventilation system is fastened in the cut-out using clamps. A solid installation surface, e.g., made of wood, is required. Make sure that the structure can support the load. Around the clamps, components such as supports and ducting must be at least 1" (25 mm) from the cut-out.
- ③ Alternatively, the ventilation system can be secured to four fixing points on an interim shelf.
- ④ There are additional fixing points on the installation surface.

# 24" Extra-Slim Insert Hood

## DA 2360 Stainless Steel



### INSTALLATION SPECIFICATIONS

Distance Between Cooktop and Ventilation Hood (S)

#### Distance between cooktop and ventilation hood (S)

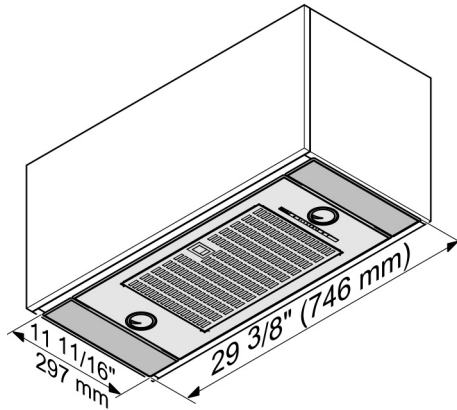
Provided a larger distance is not given by the manufacturer of the cooktop, follow the minimum safety distances between a cooktop and the bottom of the hood. Please also observe the information contained in the "IMPORTANT SAFETY INSTRUCTIONS" section.

Cooking appliance	Minimum distance S	
	Miele appliance	Non-Miele appliance
Electric Cooktops	24" (610 mm)	
Electric Barbeques and Fryers	26" (660 mm)	
Multiburner Gas Cooktops ≤ 43,000 BTU/hr (12.6 kW), no burner > 15,000 BTU/hr (4.5 kW).	26" (660 mm)	30" (760 mm)
Multiburner Gas Cooktops ≤ 73,800 BTU/hr (21.6 kW), no burner > 16,500 BTU/hr (4.8 kW)	30" (760 mm)	
Multiburner Gas Cooktops > 73,800 BTU/hr (21.6 kW), or one of the burners > 16,500 BTU/hr (4.8 kW)	Not possible	
Single Burner Gas Cooktops ≤ 20,500 BTU/hr (6 kW)	26" (660 mm)	30" (760 mm)
Single Burner Gas Cooktops > 20,500 BTU/hr (6 kW) ≤ 27,600 BTU/hr (8.1 kW)	30" (760 mm)	
Single Burner Gas Cooktops > 27,600 BTU/hr (8.1 kW)	Not possible	

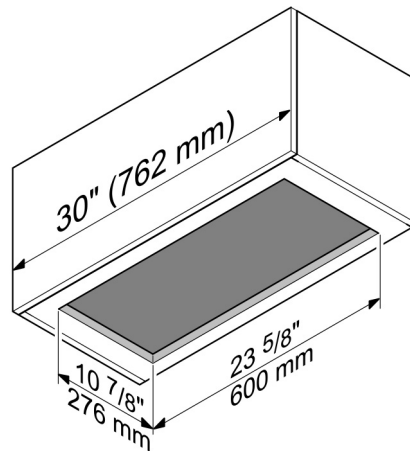
# 24" Extra-Slim Insert Hood DA 2360 Stainless Steel



6" Trim Kit DAA6  
(Optional Accessory)  
Product with DAA6 Details



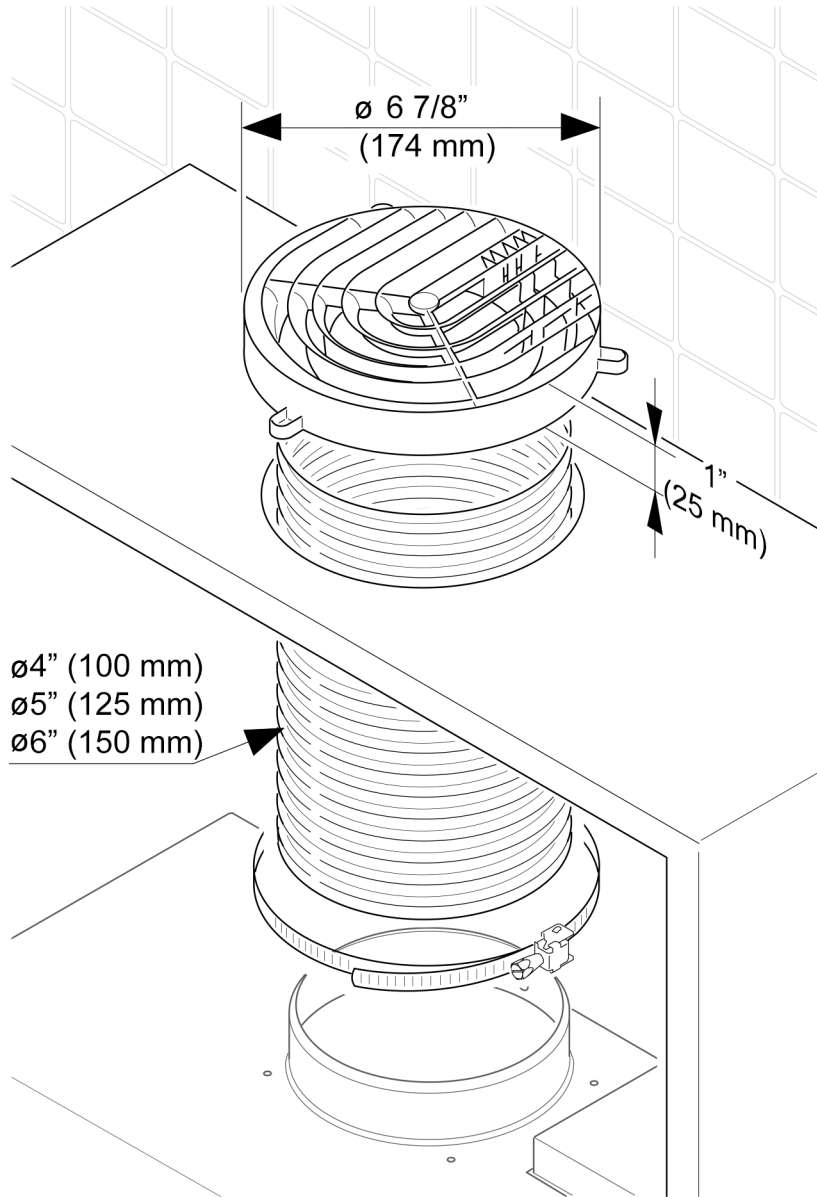
Cut-Out Details



# 24" Extra-Slim Insert Hood DA 2360 Stainless



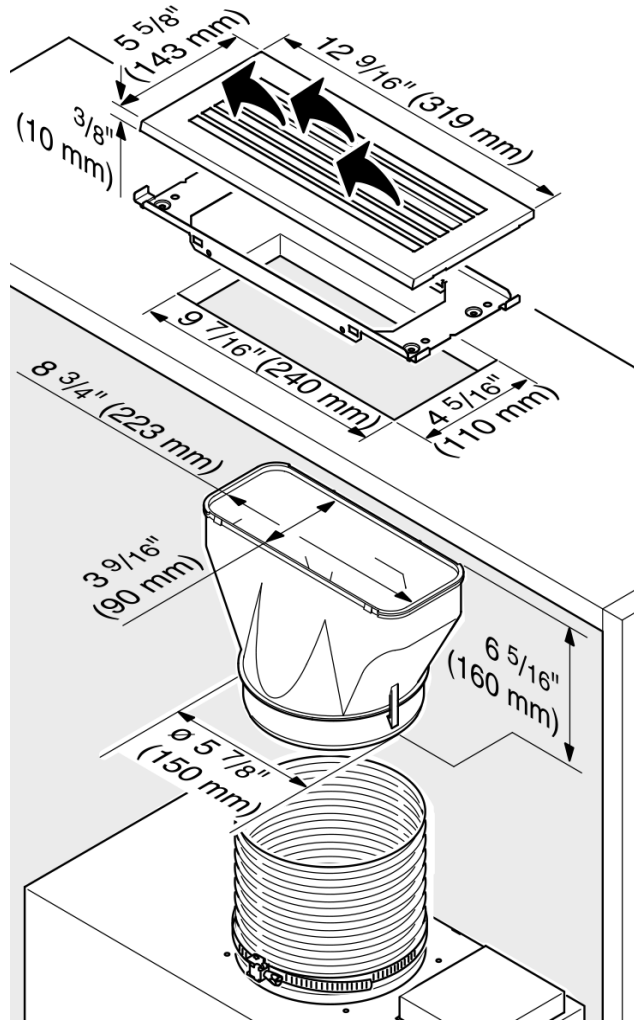
## Recirculation Kit DUU 150 (Optional Accessory)



# 24" Extra-Slim Insert Hood DA 2360 Stainless Steel



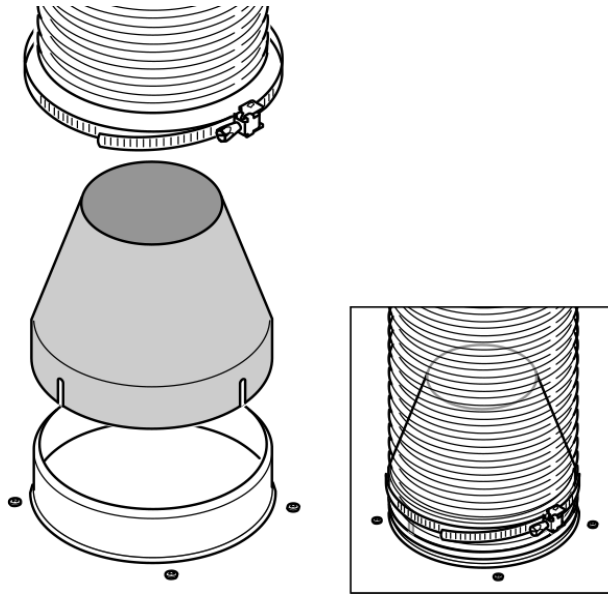
## Recirculation Kit DUU 151 (Optional Accessory)



# 24" Extra-Slim Insert Hood DA 2360 Stainless Steel



R2000  
(optional accessory)



If you would like to reduce the environmental impact of your ventilation system by limiting the CFM output the Reducing Collar can be installed. It reduces the air flow to less than 400 CFM. Check local building codes for maximum CFM requirements.