

Operating and Installation Instructions

Ventilation hood



To prevent accidents and damage to the appliance, you **must** read these instructions before installing the appliance and using it for the first time.

Contents

IMPORTANT SAFETY INSTRUCTIONS	4
Caring for the environment	12
Description of functions	13
Guide to the appliance	14
Operation	16
Turning on the blower.....	16
Selecting the power level	16
Delayed shut-off.....	16
Turning off the blower.....	16
Turning the overhead lighting on/off.....	16
Energy-saving tips	17
Cleaning and care	18
Stainless steel housing.....	18
Grease filters	19
OdorFree Charcoal Filter	21
Disposing of charcoal filters	22
Changing a light bulb	22
Installation	23
Before installation.....	23
Installation recommendations	23
Appliance dimensions	24
Distance between cooktop and ventilation hood (S).....	25
Fitting the cabinet door	26
Depth adjustment.....	27
Plywood backing.....	28
To install a plywood backing	28
Wall installation.....	29
Height adjustment.....	31
Connecting the adjacent cabinets/installing the side panels.....	31
Preparation for vented mode.....	32
Preparation for recirculation mode	32
Power supply.....	33

Contents

Electrical connection	34
Grounding Instructions.....	34
Air venting	36
Technical Service	37
Location of the data plate	37
Technical data	38

IMPORTANT SAFETY INSTRUCTIONS

READ AND SAVE THESE INSTRUCTIONS

This appliance complies with current safety requirements. Improper use of the appliance can lead to personal injury and material damage.

Read all instructions before installing or using the appliance for the first time. Only use the appliance for its intended purpose.

Keep these operating instructions in a safe place and pass them on to any future user.

Appropriate use

- ▶ **CAUTION:** For General Ventilating Use Only. Do Not Use To Exhaust Hazardous Or Explosive Materials And Vapors.
- ▶ This appliance is intended for residential use only. Use only as described in these operating instructions.
- ▶ This ventilation hood is not intended for outdoor use.
- ▶ It must only be used to extract and clean vapors produced during cooking. Any other use occurs at the owner's own risk.
- ▶ This appliance is suitable for installation above gas or electric cooking surfaces.
- ▶ Persons who lack physical, sensory or mental abilities, or experience with the appliance should not use it without supervision or instruction by a responsible person.

IMPORTANT SAFETY INSTRUCTIONS

Safety with children

- ▶ As with any appliance, close supervision is necessary when used by children.
- ▶ Please supervise children in the vicinity of the hood and do not let them play with it.
- ▶ Danger of suffocation! Ensure that any plastic wrappings, bags, etc. are disposed of safely and kept out of the reach of children.

Technical safety

- ▶ **WARNING: TO REDUCE THE RISK OF FIRE, ELECTRIC SHOCK, OR INJURY TO PERSONS, OBSERVE THE FOLLOWING:**
 - Use this appliance only in the manner intended by the manufacturer. If you have questions, contact Miele.
 - Before servicing or cleaning the appliance, switch power off at the service panel and lock the service disconnecting means to prevent power from being switched on accidentally. If the service disconnecting means cannot be locked, securely fasten a prominent warning device, such as a tag, to the service panel.
- ▶ Unauthorized installation, maintenance, and repairs can cause considerable danger for the user. Installation, maintenance, and repairs must only be carried out by a Miele authorized technician.
- ▶ A damaged ventilation hood can be dangerous. Always check for visible signs of damage. Never use a damaged ventilation hood.
- ▶ Be certain your appliance is properly installed and grounded by a qualified technician. To guarantee the electrical safety of this appliance, continuity must exist between the appliance and an effective grounding system. It is imperative that this basic safety requirement be met. If there is any doubt, have the electrical system of the house checked by a qualified electrician.
- ▶ Reliable and safe operation of this hood can only be guaranteed if it has been connected to the electrical supply.

IMPORTANT SAFETY INSTRUCTIONS

- ▶ To avoid damaging the ventilation hood, make sure that the connection data (voltage and frequency) on the data plate correspond to the building's power supply before connecting the appliance.
If in doubt, consult a qualified electrician.
- ▶ Do not use a power bar or extension cord to connect the ventilation hood to electricity. These are a fire hazard and do not guarantee the required level of appliance safety.
- ▶ To ensure safe operation, only use the ventilation hood after it has been properly installed.
- ▶ This ventilation hood may not be used in non-stationary locations (e.g. on a ship).
- ▶ Adequate ventilation must be provided when the hood is operated simultaneously with devices that burn gas or other fuels.
- ▶ Only open the housing as described in the enclosed "Installation diagram" and in the "Cleaning and care" section of this manual. Under no circumstances should any other parts of the housing be opened.
Tampering with electrical connections or components and mechanical parts is highly dangerous to the user and can cause operation faults.
- ▶ Defective components should be replaced by Miele original parts only. Only with these parts can the manufacturer guarantee the safety of the appliance.
- ▶ If the power cord is damaged, it must only be replaced by a qualified service technician.
- ▶ During installation, maintenance, and repair work, the ventilation hood must be disconnected from the electrical supply. It is only completely isolated from the electricity supply if one of the following applies:
 - The circuit breakers on the electrical service panel are tripped.

IMPORTANT SAFETY INSTRUCTIONS

- The screw-type fuses on the electrical service panel have been removed.
- The power cord (if present) has been unplugged from the socket (pull the plug not the cord).

Correct use

▶ **WARNING: TO REDUCE THE RISK OF A COOKTOP GREASE FIRE:**

- a) Never leave surface units unattended at high settings. Boilovers cause smoking and greasy spillovers may ignite. Heat oils slowly on low or medium settings.
- b) Always turn the hood on when cooking at a high heat.
- c) Clean the ventilation hood frequently. Grease should not be allowed to accumulate on the fan or filter.
- d) Use the proper pan size. Always use cookware appropriate for the size of the cooking area.

▶ Never use an open flame beneath the ventilation hood.

To avoid the risk of fire, do not flambé or grill over an open flame. When turned on, the ventilation hood will draw any flames into the filter. Fat deposits may ignite.

IMPORTANT SAFETY INSTRUCTIONS

▶ **WARNING: TO REDUCE THE RISK OF INJURY TO PERSONS IN THE EVENT OF A COOKTOP GREASE FIRE, OBSERVE THE FOLLOWING*:**

- a) **SMOTHER FLAMES** with a close fitting lid, cookie sheet, or metal tray then turn off the burner. **BE CAREFUL TO PREVENT BURNS.** If the flames do not go out immediately, **EVACUATE AND CALL THE FIRE DEPARTMENT.**
- b) **NEVER PICK UP A FLAMING PAN** - You may be burned.
- c) **DO NOT USE WATER**, including wet dishcloths or towels - a violent steam explosion will result.
- d) Use a fire extinguisher **ONLY** if:
 - 1) You have a class ABC extinguisher, and you know how to operate it.
 - 2) The fire is small and contained in the area where it started.
 - 3) The fire department is being called.
 - 4) You can fight the fire with your back to an exit.

*Based on “Kitchen Fire Safety Tips” published by NFPA.

▶ The ventilation hood may become damaged if exposed to excessive heat from a gas cooktop.

- When using the ventilation hood over a gas cooktop, ensure that any burners in use are always covered by cookware. Turn burners off when removing the cookware, even if doing so for just a short time.
 - Select cookware that is suitable for the size of the burner.
 - Adjust the flame so that it never extends up the sides of the cookware.
 - Avoid overheating the cookware (e.g., when cooking with a wok).
- ▶ Always turn the ventilation hood on whenever a burner is in use to prevent damage from condensation.

IMPORTANT SAFETY INSTRUCTIONS

▶ Overheated oil and fat can ignite, causing fire damage to the ventilation system.

Do not leave cookware, pans, and deep fryers unattended when cooking with oil or fat. Similarly, never leave an open grill unattended when grilling.

▶ Fat and debris deposits impair the proper functioning of the ventilation hood.

To ensure that cooking vapors are properly cleaned, never use the ventilation hood without the grease filters in place.

▶ There is a risk of fire if cleaning is not completed according to the instructions in this manual.

▶ Please note that the heat rising from the stovetop during cooking can cause the ventilation hood to become very hot.

Do not touch the housing or the grease filters until the ventilation hood has cooled down.

IMPORTANT SAFETY INSTRUCTIONS

Proper installation

- ▶ **WARNING: TO REDUCE THE RISK OF FIRE, ELECTRIC SHOCK, OR INJURY TO PERSONS, OBSERVE THE FOLLOWING:**
 - a) Installation work and electrical wiring must be done by qualified person(s) in accordance with all applicable codes and standards, including fire-rated construction.
 - b) Sufficient air is needed for combustion and exhausting of gases through the flue (chimney of fuel burning equipment to prevent back drafting. Follow the heating equipment manufacturer’s guideline and safety standards such as those published by the National Fire Protection Association (NFPA) and the American Society for Heating, Refrigeration and Air Conditioning Engineers (ASHRAE), and the local code authorities.
 - c) When cutting or drilling into the wall or ceiling, do not damage electrical wiring and other hidden utilities.
 - d) Ducted hoods must always be vented to the outdoors.
 - e) Do not use this hood with any solid-state speed control device.
- ▶ To determine whether a ventilation hood may be operated above your cooking appliance, please refer to the information provided by the appliance's manufacturer.
- ▶ Safety regulations prohibit the installation of a ventilation hood over solid fuel stoves.
- ▶ An insufficient safety distance between the cooktop and the ventilation hood can result in damage to the ventilation hood. The minimum safety distances between the top of the cooktop and the bottom of the ventilation hood given in the “Installation” section of this booklet must be observed, unless the cooktop manufacturer states that a greater safety distance is required. If more than one cooking appliance is installed beneath the ventilation hood, and they have different minimum safety distances to the ventilation hood, select the greater distance.

IMPORTANT SAFETY INSTRUCTIONS

- ▶ Be sure to observe the information contained in the “Installation” section when mounting the ventilation hood.
- ▶ Metal parts can have sharp edges which may cause injury. Wear gloves to protect your hands from being cut.
- ▶ When installing the exhaust duct, only use pipes or tubes made of non-flammable material. These can be obtained from your Miele dealer or from Miele Technical Service.
- ▶ Exhaust air should not be vented into a chimney or vent flue which is otherwise in use and should not be channeled into ducting which ventilates rooms with fuel-burning installations.
- ▶ If exhaust air is to be extracted into a chimney or ventilation duct no longer used for other purposes, seek professional advice.
- ▶ **WARNING: TO REDUCE THE RISK OF FIRE USE ONLY METAL DUCTWORK.**

Cleaning and maintenance

- ▶ Never use a steam cleaner to clean the ventilation hood. The steam can reach the electrical components and cause a short circuit.

Accessories

- ▶ Use only genuine original Miele parts. If parts or accessories from other manufacturers are used, the warranty will become void.

Caring for the environment

Disposal of the packing material

The cardboard box and packing materials protect the appliance during shipping. They have been designed to be biodegradable and recyclable.

Ensure that any plastic wrappings, bags, etc. are disposed of safely and kept out of the reach of children.
Danger of suffocation!

Disposal of your old appliance

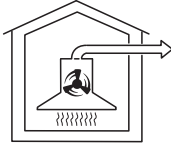
Electrical and electronic appliances contain valuable materials. They also contain certain substances, compounds and components which were essential for the proper functioning and safe use of the equipment. Handling these materials improperly by disposing of them in your household waste can be harmful to your health and the environment. Therefore, please do not dispose of your old appliance with regular household waste and follow local regulations on proper disposal.



Consult with local authorities, dealers or Miele in order to dispose of and recycle electrical and electronic appliances. Miele assumes no responsibility for deleting any personal data left on the appliance being disposed. Please ensure that your old appliance is kept away from children until removal. Observe safety requirements for appliances that may tip over or pose an entrapment hazard.

The following functions are available on your ventilation hood, depending on the model:

Vented mode



da00094a

The air is drawn in and cleaned by the grease filters and directed outside.

Non-return flap

A non-return flap in the ducting prevents the exchange of inside and outside air from occurring when the ventilation hood is not in use.

The flap is closed when the ventilation hood is turned off.

When the ventilation hood is turned on, the non-return flap opens so that the exhaust air can be transported outside without any obstruction.

A non-return flap has been provided with the hood in case your ducting does not have one. It is inserted into the outlet duct collar of the fan.

Recirculation mode

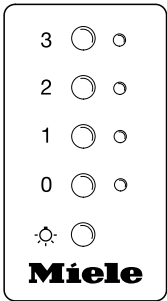
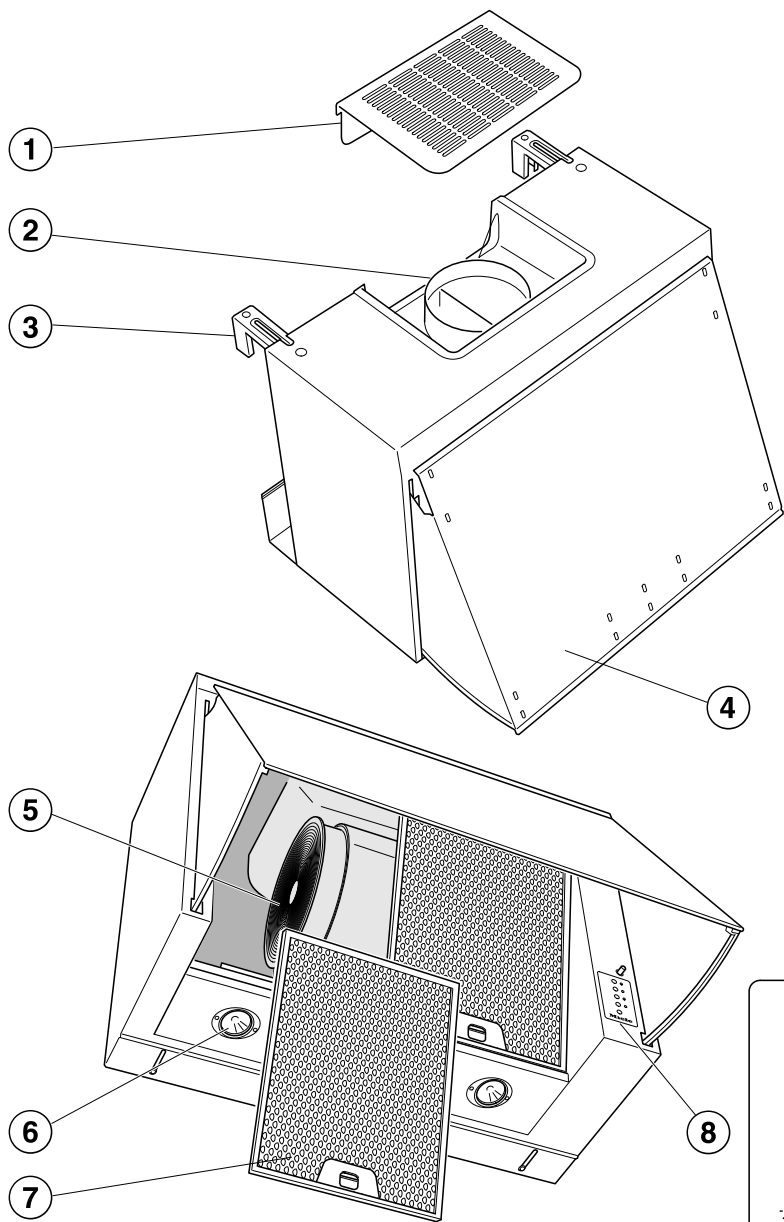
(only with charcoal filters as optional accessories, see “Technical data”)



da00094b

The air is drawn in and cleaned first by the grease filters and then by the charcoal filters. The clean air is then recirculated back into the kitchen.

Guide to the appliance



da13791us

- ① Recirculation grille
- ② Exhaust connection
- ③ Brackets
- ④ Fold-down canopy
for installation of a cabinet door
- ⑤ Charcoal filter
Optional accessory for recirculation mode
- ⑥ Cooktop lighting
- ⑦ Grease filter
- ⑧ Control panel

Operation

Turning on the blower

- Open the canopy.

The blower switches onto power level **2**.

Selecting the power level

Power levels **1** to **3** are available to you.

- Please select the power level required by tapping the corresponding button.

Delayed shut-off

- It is advisable to run the blower for a few minutes after cooking has finished to neutralize any lingering vapors and odors in the air.

Turning off the blower

It is advisable to run the blower for a few minutes after cooking has finished to neutralize any lingering vapors and odors in the air.

- To switch the blower off, close the vapor canopy, or press and hold down the **0** button.
- To switch the blower on again when the canopy is open, press one of the buttons **1** to **3**.

Turning the overhead lighting on/off

- You can switch the cooktop lighting on and off by opening and closing the vapor canopy.

If there is an interruption to the power supply, the blower and the cooktop lighting will switch off automatically. When the vapor canopy is open, after rectification of the fault, the blower will come on at level **2** and the cooktop lighting will switch on again.

This hood operates in a very efficient and energy-saving manner. The following will help you to save even more energy when using it:

- Ensure that there is sufficient ventilation in the kitchen when cooking. If there is insufficient air flow during vented mode, the hood cannot operate efficiently, causing increased operating noise levels.
- Always cook with the lowest possible setting. This produces fewer cooking vapors so that you can use a lower hood power level and therefore benefit from reduced energy consumption.
- Check the power level selected on the hood. A lower power level is generally sufficient for the majority of cooking. Only use the booster level when necessary.
- When a large volume of cooking vapors are being produced, switch to a high power level in good time. This is more efficient than operating the hood for longer to try to capture cooking vapors that have already been distributed throughout the kitchen.
- Make sure that you switch off the hood after use.
- Clean or change the filters at regular intervals. Heavily soiled filters reduce performance, increase the risk of fire and are unhygienic.

Cleaning and care

⚠ WARNING: TO REDUCE THE RISK OF FIRE, ELECTRIC SHOCK, OR INJURY TO PERSONS, OBSERVE THE FOLLOWING:

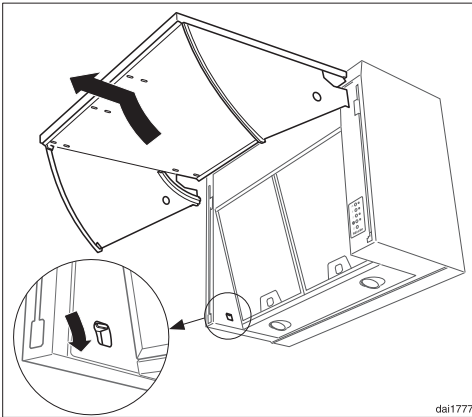
- Before cleaning or servicing the hood, disconnect it from the power supply, see “IMPORTANT SAFETY INSTRUCTIONS”.

Stainless steel housing

Removing the vapor canopy

The vapor canopy can be removed for superior accessibility.

- Open the vapor canopy.



- Pull the slider to unlock the vapor canopy downwards and then tilt the canopy out forwards.
- To attach the vapor canopy position it in the guide-ways at the top again, and tilt it downwards.

General information

⚠ The surfaces and control buttons are susceptible to scratching and chipping.

Observe the following cleaning instructions.

- Clean all surfaces and control buttons using warm water and liquid dish soap. Apply with a sponge cloth.

⚠ Make sure that no water gets into the interior of the hood. Only use a damp cloth to clean the hood, especially in the control panel area.

- After cleaning, dry the surfaces with a soft cloth.

Avoid the following:

- Cleaners containing soda, acid or chloride, or cleaners containing solvents
- Abrasive sponges, e.g. pot scourers or sponges which have been previously used with abrasive cleaning agents.

Important for the controls

Do not leave dirt and debris on the buttons for any length of time. Otherwise they may become discolored or damaged. Remove any dirt or debris immediately.

- Observe the general cleaning instructions contained in this chapter.

Do not use a stainless steel cleaner to clean the control buttons.

Grease filters

The reusable metal grease filters in the appliance remove the solid particles contained in kitchen vapors (grease, dust, etc.), thereby preventing the ventilation hood from becoming dirty.

The grease filters must be cleaned at regular intervals.

Heavily soiled grease filters hinder air extraction and will lead to increased levels of soiling in the ventilation hood and in the kitchen.



Risk of fire!

Oversaturated grease filters are a fire hazard.

Clean the grease filters at regular intervals.

Cleaning intervals

Accumulated grease solidifies over a longer period of time and makes cleaning more difficult. The grease filters should therefore be cleaned every 3 to 4 weeks.

Removing the grease filters

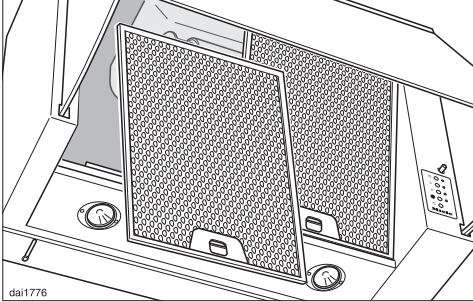


When handling the grease filter, be careful not to drop it.

This can result in damage to the filter and the cooktop below.

Make sure you hold the filter securely at all times when handling it.

Cleaning and care



Depending on the detergent used, cleaning the filters in a dishwasher may cause the inside filter surfaces to become discolored. However, this will not affect the functioning of the grease filters in any way.

- Open the latch for the grease filter and remove the grease filter by lowering it.

Cleaning the grease filters by hand

- Clean the filters with a soft nylon brush in a mild solution of hot water and dish soap. Do not use undiluted dish soap.

Unsuitable cleaning agents

Unsuitable cleaners can cause damage to the filter surfaces if used regularly. Do not use any of the following:

- Lime removers
- Abrasive powders or abrasive liquids
- Aggressive all-purpose cleaners and degreaser sprays
- Oven sprays

Cleaning the grease filters in a dishwasher

- Place the grease filters upright or slightly inclined in the lower basket. Ensure the spray arm is not obstructed.
- Use a commonly available household dishwashing detergent.
- In a Miele dishwasher use the “Normal” program.

After cleaning

- After cleaning, leave the filters on an absorbent surface to dry.
- When removing the filters for cleaning, also clean off any accessible oil or fat buildup from the housing. Doing so will prevent a fire hazard.
- Reinsert the grease filters.

OdorFree Charcoal Filter

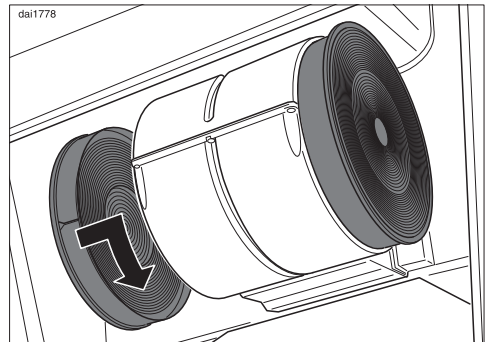
During re-circulation mode, two charcoal filters must be fitted in addition to the grease filters.

They are attached to the side of the blower.

Charcoal filters are available from your Miele dealer or from Miele. See “Technical data” for the type and reference number.

Installing/replacing the charcoal filter

- Before fitting or replacing a charcoal filter, the vapor canopy has to be opened and the grease filter removed as previously described.
- Remove the charcoal filter from its packaging.



- Place the charcoal filter sideways on the blower and turn it in the supports.
- Reinstall the grease filters.

Cleaning and care


When to change the OdorFree Charcoal Filter

- Replace the charcoal filters when they no longer absorb kitchen odors effectively. They should, however, be replaced at least every 6 months.

Disposing of charcoal filters

- Used charcoal filters can be disposed of with normal household waste.

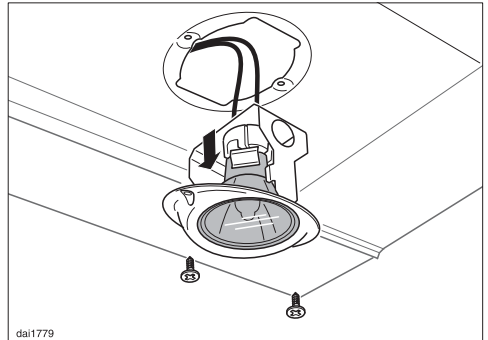
Changing a light bulb

 The halogen lights become very hot when in use. They can cause burns even after being switched off for some time. Wait for a few minutes before changing the halogen light.

The lamps should be replaced with lamps of the same type.


The lamps are available from the customer service team or specialist dealers.

- Disconnect the ventilation hood from the electrical supply (see the “Important Safety Instructions” section).



- Unscrew the fixing screws of the decorative ring.
- Remove the lamp unit.
- Push the halogen light out of the frame from the rear. Make sure that the halogen light does not fall onto the cooktop.
- Push a new halogen light (20 W) into the frame. Fit the lamp unit again and screw the decorative ring tight again.

Before installation

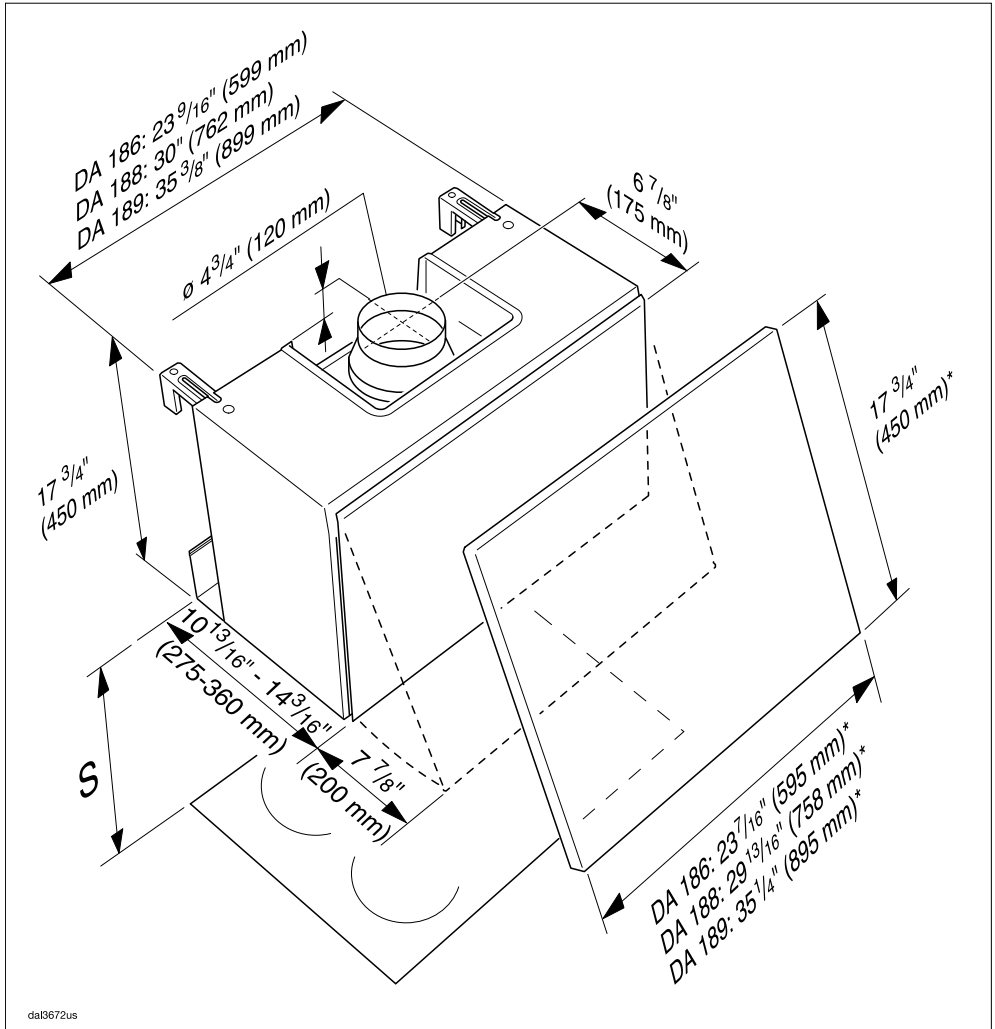
 Before installing the appliance, read all of the information contained in this chapter and also in the “IMPORTANT SAFETY INSTRUCTIONS” section.

Installation recommendations

- To achieve optimum vapor extraction, the hood must be centered over the cooktop, not to the side.
- The cooktop should be no wider than the hood. Preferably, it should be narrower for better extraction.
- The mounting area must be easily accessible. The ventilation hood should be easy to reach and disassemble in case a service call is necessary. This should be taken into consideration when planning the position of cabinetry, shelves, ceilings or decorative elements in the vicinity of the ventilation hood.

Installation

Appliance dimensions



* Cabinet door dimensions

Exhaust air connection $\varnothing 120$ mm ($4\frac{1}{2}$ ")

Distance between cooktop and ventilation hood (S)

Provided a larger distance is not given by the manufacturer of the cooktop, follow the minimum safety distances between a cooktop and the bottom of the hood.

Please also observe the information contained in the “IMPORTANT SAFETY INSTRUCTIONS” section.

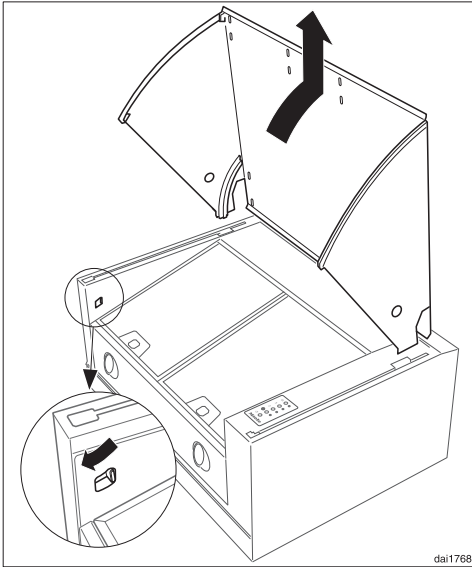
Cooking appliance	Minimum distance S	
	Miele appliance	Non-Miele appliance
Electric Cooktops	24" (610 mm)	
Electric Barbeques and Fryers	26" (660 mm)	
Multiburner Gas Cooktops ≤ 43,000 BTU/hr (12.6 kW), no burner > 15,000 BTU/hr (4.5 kW).	26" (660 mm)	30" (760 mm)
Multiburner Gas Cooktops ≤ 73,800 BTU/hr (21.6 kW), no burner > 16,500 BTU/hr (4.8 kW)	30" (760 mm)	
Multiburner Gas Cooktops > 73,800 BTU/hr (21.6 kW), or one of the burners > 16,500 BTU/hr (4.8 kW)	Not possible	
Single Burner Gas Cooktops ≤ 20,500 BTU/hr (6 kW)	26" (660 mm)	30" (760 mm)
Single Burner Gas Cooktops > 20,500 BTU/hr (6 kW) ≤ 27,600 BTU/hr (8.1 kW)	30" (760 mm)	
Single Burner Gas Cooktops > 27,600 BTU/hr (8.1 kW)	Not possible	

If you are installing a cabinet door made of wood or plastic to the ventilation hood, observe the safety distances given by the cooktop manufacturer regarding the use of easily combustible materials.

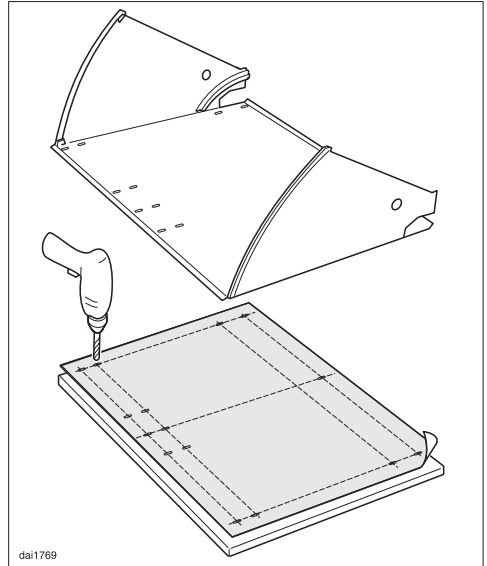
Installation

Fitting the cabinet door

There are several holes on the vapor canopy of the device for attaching the cabinet door. The drilling template enclosed helps you with the correct positioning.



- Open the vapor canopy.
- Pull the slider to unlock the vapor canopy forwards and then tilt the canopy out upwards.

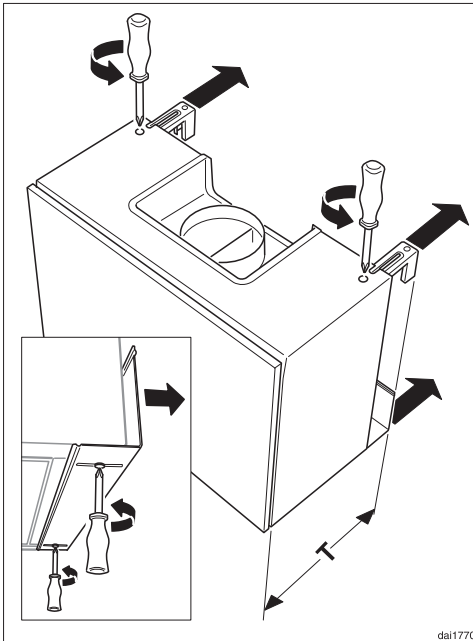


- Cut the drilling template to fit the front door, place it on the inside of the door, and pre-drill the holes accordingly.
- Connect the cabinet door to the vapor canopy using the appropriate screws.

Depth adjustment

For setting the cabinet depth **T** from 275 mm to 360 mm (10 ³/₄" to 14 ¹/₄"), there are adjustable hooks on the top of the device and an adjustable cover angle on the underside of the device.

- If the range of adjustment is insufficient for unscrewing the cover angle, turn it and use it on its longer side.



dal1770

- Unscrew the screws from the adjustable hook.
- Pull out the hook to the required degree **T**.
- Tighten the screws again.
- Unscrew the screws of the cover angle.
- Move the cover angle to the required degree.
- Tighten the screws again.

Installation

Plywood backing

The majority of the weight of the installed ventilation system will be supported by the mounting plates. They must be firmly attached to the stud framing behind the drywall. If studs are not available in the required locations, a plywood backing (min. 2" (51 mm) thick) spanning at least two studs must be installed.

Failure to adequately support the weight as stated may result in the ventilation system falling off the wall, causing personal injury and property damage.

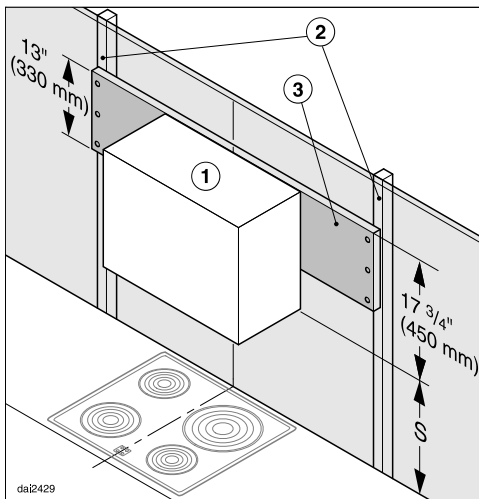
If plywood backing is not needed, proceed to "Wall attachment".

- Make a cutting line 13" (330 mm) below the the top edge marking.
- Find the studs ② to the left and right of the mounting location by tapping the wall or using a stud finder.
- Mark a vertical cutting line along the center of each stud.

CAUTION: When cutting or drilling into the wall or ceiling, do not damage electrical wiring and other hidden utilities.

- Remove the drywall between the cutting lines and replace it with plywood ③ of a matching thickness (min. 2" (51 mm) thick). Tape the joints and refinish the wall.

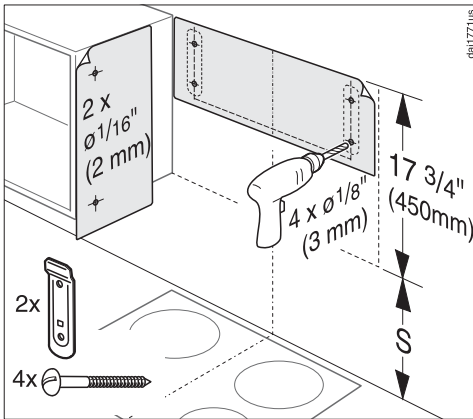
To install a plywood backing



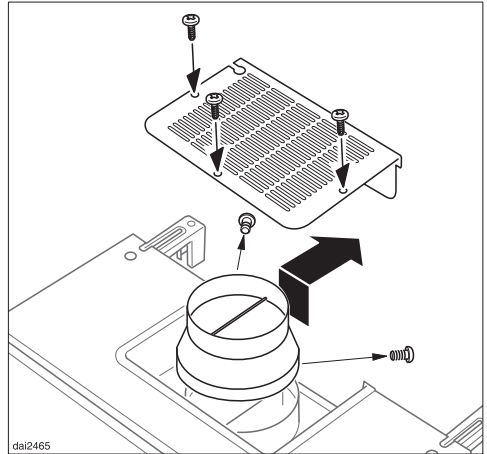
- Determine and mark the top edge of the appliance ①. It must be at least $S + 17 \frac{3}{4}$ " ($S + 450$ mm) in order to comply with the safety height (see "Appliance Dimensions").

Wall installation

The ventilation hood is attached to the wall between the upper cabinets. Please use the enclosed screws.

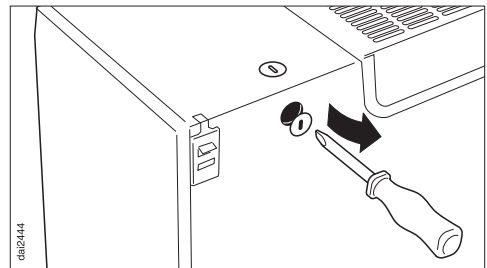


- Attach the pre-cut drilling template to the wall. The top edge of the template indicates the top edge of the ventilation hood. Please refer to the safety distances (S) to the cooktop (see "Appliance dimensions").
- Mark and drill four holes for the mounting brackets.
- Remove the drilling template again.
- Attach the mounting brackets to the wall using the screws provided.
- Attach the corresponding drilling template to the adjacent cabinet or the side panel.
- Drill two mounting holes into the adjacent cabinet or the side panel.



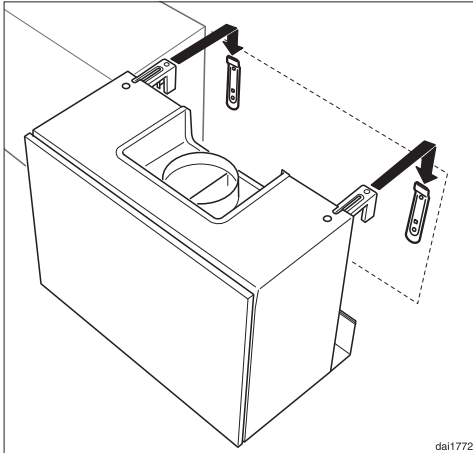
■ With re-circulation mode:

- Remove the screws from the reduction nozzle.
- Remove the reduction nozzle with the integrated non-return flap.
- Install the recirculation grille.

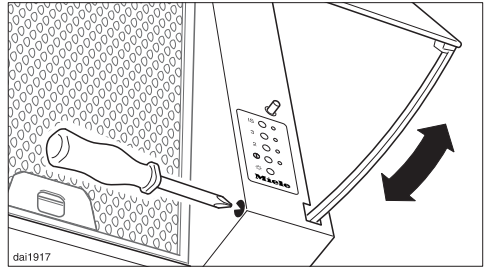


- Lever the cover of one of the cable ducts off, using a screw driver, for example.

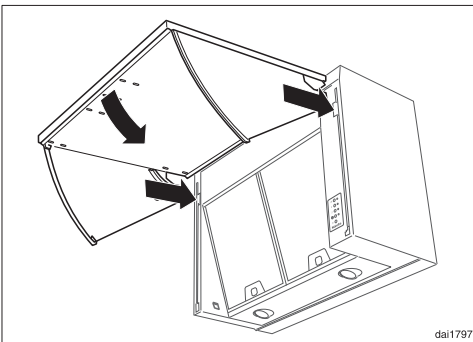
Installation



- Mount the ventilation hood with the adjustable hooks.



- Remove the two cover caps at the front right and left on the lower edge of the device from the openings of the adjusting screws.
- Turn the adjusting screws evenly on both sides using a Phillips type screwdriver. The folding mechanism becomes slower if you turn the screws to the right, and lighter if you turn them to the left.
- Refit the cover caps.

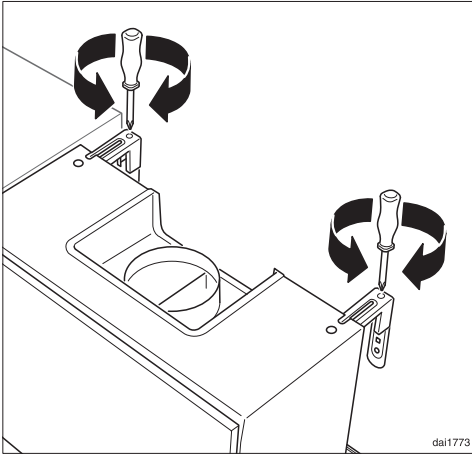


- Attach the vapor canopy to the cabinet door and close.

It is possible to adjust the functionality of the vapor canopy. This may be required if a heavy cabinet door is to be fitted, for example.

Height adjustment

On the top side of the mounting bracket of the device there are adjustment screws with which you can set the height of the adjacent cabinets.

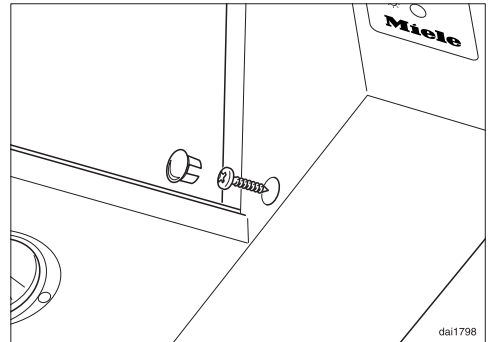


- If you turn the adjustment screws to the left the device moves upwards; it moves downwards if you turn the adjustment screws to the right.
- You may also have to adjust the depth again.

Connecting the adjacent cabinets/installing the side panels

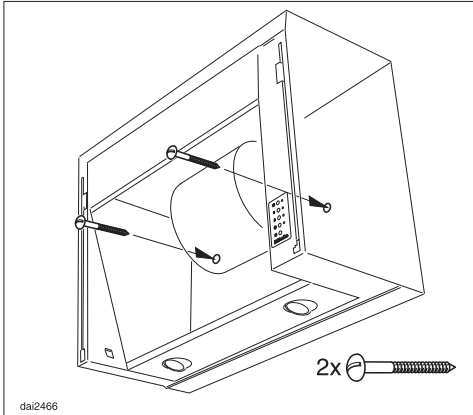
The ventilation hood is screwed onto the adjacent cabinets or side panels with two screws on each side.

- Remove the vapor canopy.
- Remove the grease filter.
- Turn the top screws in the adjacent cabinets or side panels.

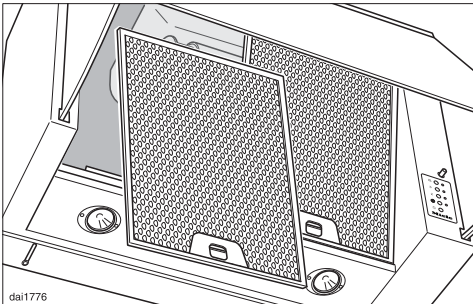


- Remove the covering caps from the lower screws.
- Fit the lower screws.
- Refit the cover caps.
- Attach the vapor canopy again.

Installation

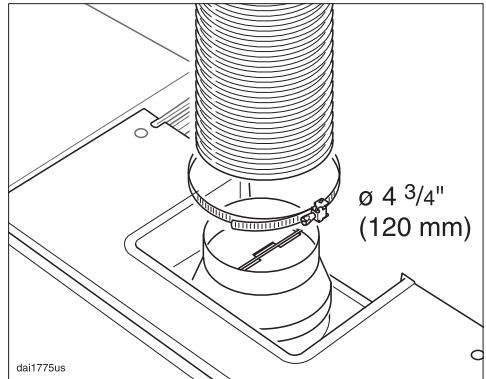


- If the ventilation hood is not attached to the adjacent cabinets, it is necessary to attach it to the wall.



- Reinsert the grease filters.

Preparation for vented mode



- Secure the exhaust ducting to the exhaust socket, e.g., with a hose clip (available as an optional accessory) on flexible ducting.
- See “Connection for vented mode” for additional instructions on attaching the ducting.

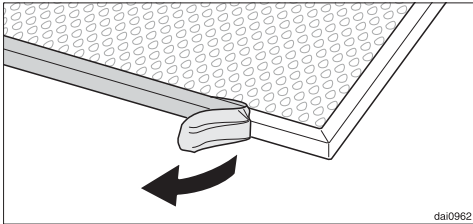
Preparation for recirculation mode

- Install the charcoal filters (see “Cleaning and care”).

Power supply

Refer to the notes in “Electrical connection” and “IMPORTANT SAFETY INSTRUCTIONS” before connecting to the electricity supply.

- Connect the hood to the electrical supply.



- Take the grease filter out and pull the protective foil off the filter frame. Then replace the grease filter.

Electrical connection

WARNING: TO REDUCE THE RISK OF FIRE, ELECTRIC SHOCK, OR INJURY TO PERSONS, OBSERVE THE FOLLOWING:

All electrical work should be performed by a qualified electrician in strict accordance with national regulations and local safety regulations. Installation, repairs and other work by unqualified persons could be dangerous.

Ensure that power to the appliance is OFF while installation or repair work is performed.

Verify that the voltage, load and circuit rating information found on the data plate (located behind the baffle filters), match the household electrical supply before installing the hood.

Use only with ventilation hood cord-connection kits that have been investigated and found acceptable for use with this model hood.

If there is any question concerning the electrical connection of this appliance to your power supply, please consult a licensed electrician or call Miele's Technical Service Department.

WARNING: THIS APPLIANCE MUST BE GROUNDED

Grounding Instructions

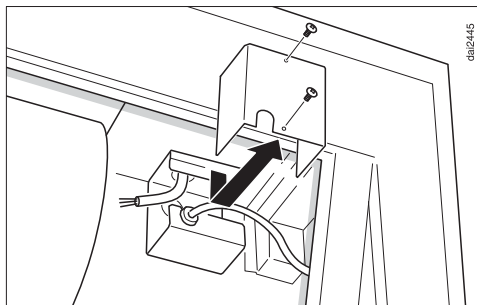
WARNING - Improper grounding can result in a risk of electric shock.

This appliance must be grounded. In the event of an electrical short circuit, grounding reduces the risk of electric shock by providing a path of least resistance.plugin.

If there is any doubt, have the electrical system of the house checked by a qualified electrician.

- Remove the vapour canopy and the grease filters from the rangehood (see "CleaningandCare").

The electrical junction box is located on the inside rear right of the rangehood.



- Loosen the screws and remove the cover.
- Install a suitable UL listed cable clamp or conduit fitting (not included) in the cable opening in the casing.
- Feed the power line from your house installation through the cable opening.
- Connect the cables to the terminal clamps.

To increase security before the machine is installed, it is recommended to install a protective switch (30 mA).

- The hood must be hard wired accordingly:
 - Black/Red wire: connect to L1 (live)
 - White wire: connect to N (neutral)
 - Green wire: connect to GND (ground)
- Close up the junction box again and re-install the grease filters and the vapour canopy.

Air venting

WARNING: Danger of toxic fumes. Gas cooking appliances release carbon monoxide that can be harmful or fatal if inhaled.

To reduce the risk of fire and to properly exhaust air, the exhaust gases extracted by the hood should be vented outside of the building only.

Do not vent exhaust air into spaces within walls or ceilings or in attics, crawl spaces or garages.

To reduce the risk of fire, only use metal ductwork.

Please read and follow the “IMPORTANT SAFETY INSTRUCTIONS” to reduce the risk of personal injury. Follow all local building codes when installing the hood.

The ventilation hood is fitted with an exhaust connection of \varnothing 120 mm (4.7").

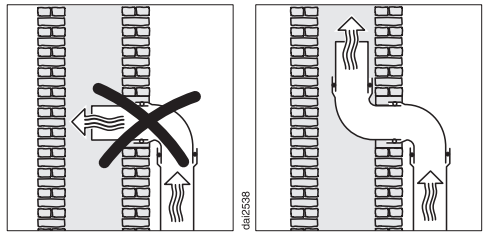
Only use smooth pipes or flexible duct hoses made from non-combustible materials for exhaust duct.

To achieve the greatest possible air extraction with the lowest noise levels, please observe the following:

- The cross-section of the exhaust duct must not be smaller than the cross-section of the vent collar (see appliance dimensions).
- The exhaust duct should be as short and straight as possible.
- If elbows are needed, make sure they have a large radius.

- The exhaust duct must not be kinked or compressed. When selecting the exhaust duct, ensure that it is rigid enough to retain its shape during operation.
- Make sure that all connections are secure and airtight.

Any constriction of the airflow will reduce extraction performance and increase operating noise.



- If the exhaust air is to be ducted into a flue, the duct must be directed in the flow direction of the flue.
- When duct is horizontal it must be laid to slope away at at least $\frac{1}{8}$ inch per foot. This is to ensure that condensate cannot drain back into the appliance.
- If the exhaust duct is to be routed through rooms, ceiling space etc., the temperatures in these different areas may differ greatly, which means that the problem of condensation will need to be addressed. The exhaust duct will need to be insulated.

For faults that you cannot resolve on your own, please contact your Miele dealer or Miele Technical Service.

The telephone number for Miele is listed at the back of these instructions.

When contacting Miele, please state the model and serial number of your ventilation hood.

These can be found on the data plate.

Location of the data plate

The data plate is visible once you have removed the grease filters.

Warranty

For further information, please refer to your warranty booklet.

Technical data

Blower motor	220 W
Cooktop lighting	2 x 20 W
Total connected load	260 W
Voltage, frequency	120 V AC, 60 Hz
Fuse rating	15 A
Weight	
DA 186	32.6 lbs (14.8 kg)
DA 188	37.2 lbs (16.9 kg)
DA 189	42.7 lbs (19.4 kg)

Optional accessory for recirculation mode

2 OdorFree Charcoal Filter DKF 14-1

**Please have the model and serial number
of your appliance available when
contacting Technical Service.**

The Miele logo consists of the word "Miele" in a bold, white, serif font, set against a solid black rectangular background.

U.S.A.

Miele, Inc.

National Headquarters

9 Independence Way
Princeton, NJ 08540
Phone: 800-843-7231
Fax: 609-419-4298
www.mieleusa.com

Technical Service & Support

Phone: 800-999-1360
Fax: 888-586-8056
TechnicalService@mieleusa.com

International Headquarters

Miele & Cie. KG
Carl-Miele-Straße 29
33332 Gütersloh
Germany

Canada

**Importer
Miele Limited**

Headquarters and Miele Centre

161 Four Valley Drive
Vaughan, ON L4K 4V8
www.miele.ca

Customer Care Centre

Phone: 800-565-6435
905-532-2272
customercare@miele.ca

DA 186, DA 188, DA 189

en-US

M.-Nr. 10 566 190 / 02