

Under Counter Wine Storage Unit

KWT 6322 UG



Under Counter Wine Storage Unit

KWT 6322 UG



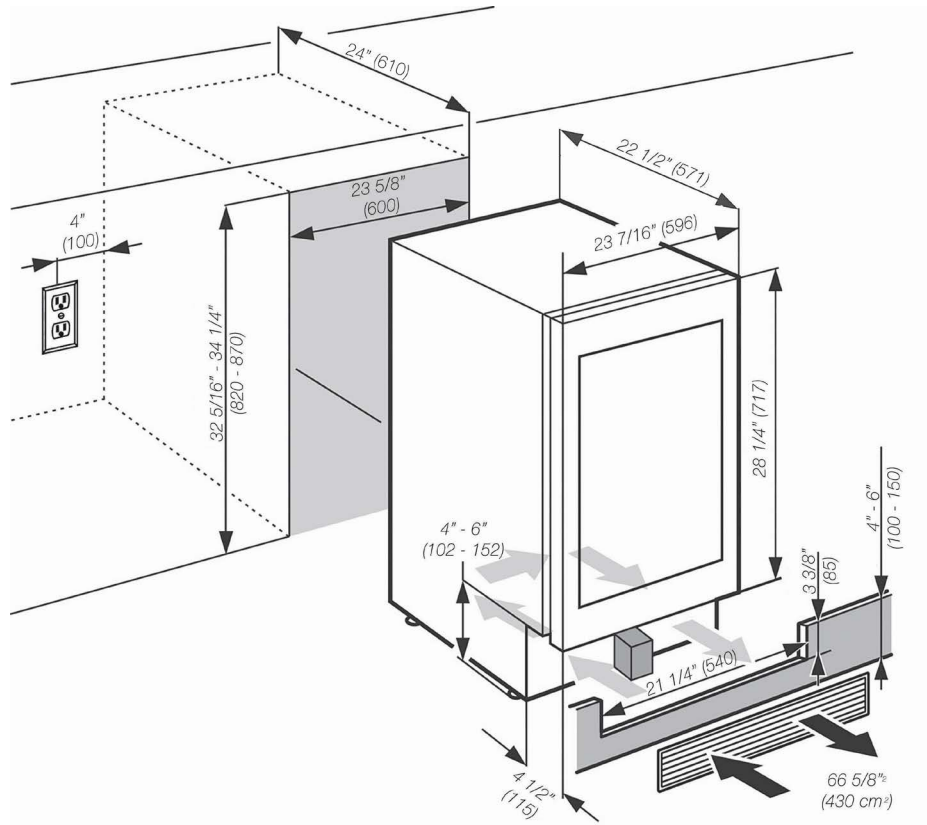
Features:

- Built-under unit
- Tinted tempered glass door
- Push2open door
- SoftClose door
- Right hinged, convertible
- DynaCool
- Room for up to 34 bottles
- Dual temperature zones
- TouchControl panel
- LED lighting
- Active AirClean filter
- Low vibration compressor
- FlexiFrame with NoteBoard
- Side-by-Side combination available

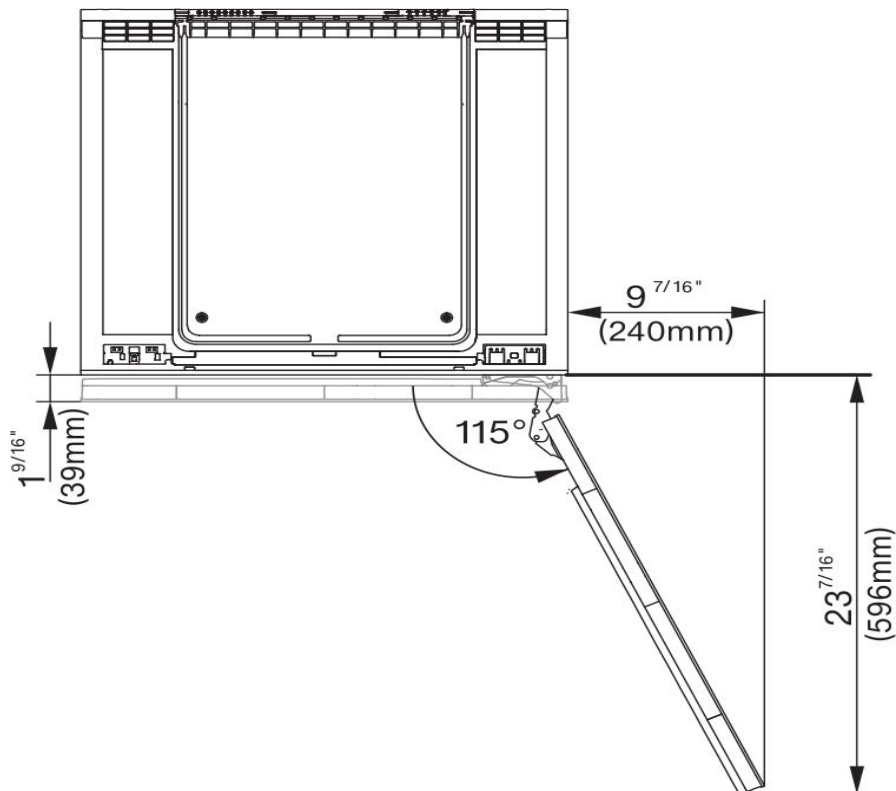
SPECIFICATIONS

KWT 6322 UG – Item	36632200USA
Overall Unit Width	23 ⁷ / ₁₆ " (596mm)
Overall Height	32 ¹ / ₄ " – 34 ¹ / ₄ " (819 – 870mm)
Overall Unit Depth	22 ¹ / ₂ " (571mm)
Door Clearance	23 ⁷ / ₁₆ " (596mm)
Niche	
Minimum Cabinet Opening Width	23 ⁵ / ₈ " (600mm)
Minimum Cabinet Opening Height	32 ⁵ / ₁₆ " (820mm)
Minimum Cabinet Opening Depth	24" (610mm)
Electrical	
Electrical Requirements	110V / 120V, 60Hz, 15 Amps (single) 110V / 120V , 60Hz, 20Amp (side-by-side)
Power Cord	Yes - NEMA 5-15 plug, 6' 6 ³ / ₄ " (2m)
Shipping	
Shipping Weight	116.8 lbs. (53 kg)
Support	
Call	800.843.7231
20/20	☎2020technologies.com

Installation Dimension



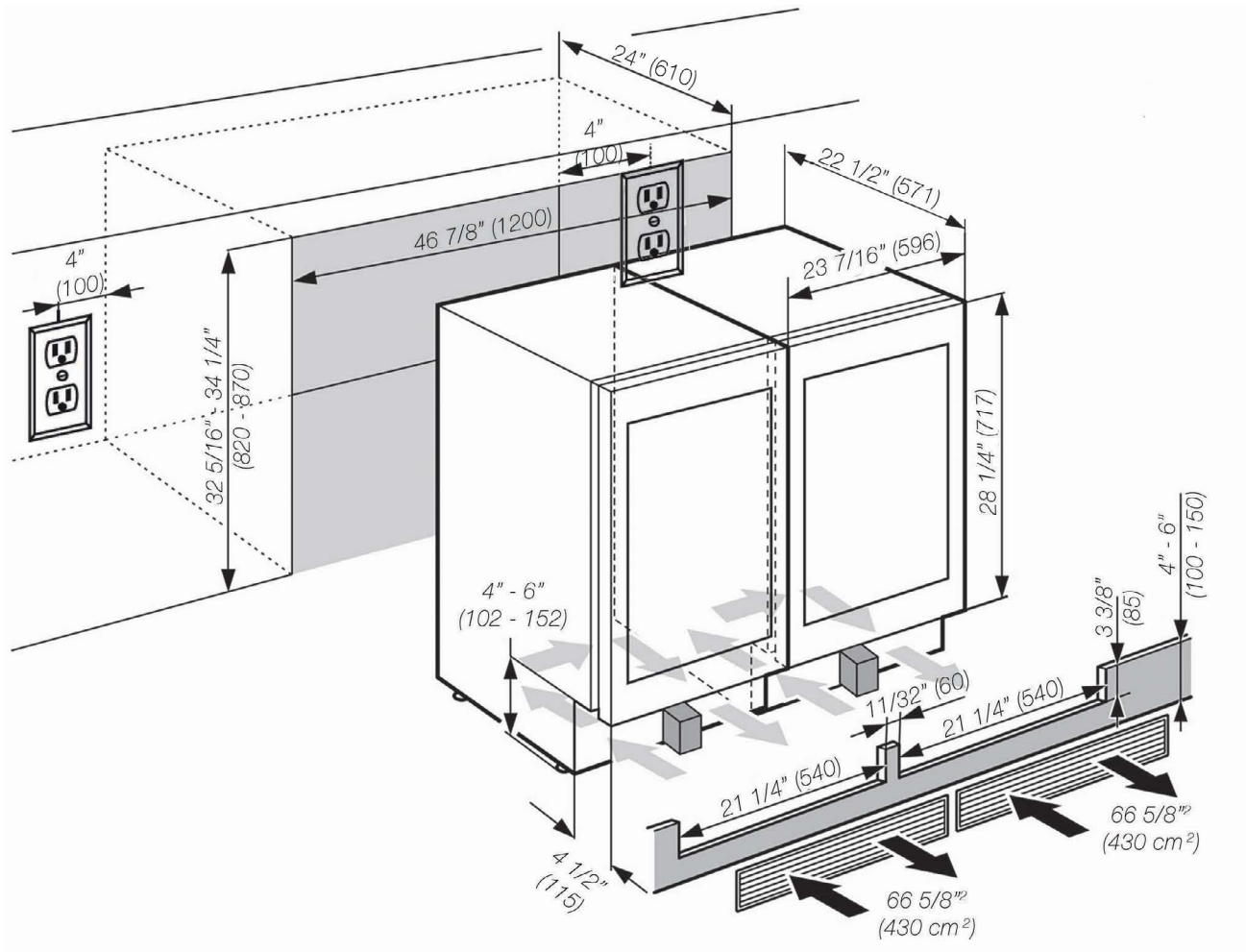
Top View



Under Counter Wine Storage Unit KWT 6322 UG



Installation Dimension Side-by-side Combination



Note: Merging kit KSK6300 is need for side-by-side combination