

## 30" Bottom Mount Refrigerator

KFN 9855 iDE LI/ KFN 9855 iDE RE



# Bottom Mount Refrigerator

## KFN 9855 iDE LI / KFN 9855 iDE RE



KFN 9855 iDE LI /  
KFN 9855 iDE RE

### Features:

- DynaCool
- Easy Sensor Controls
- Plumbed Ice Maker
- Super Freeze function
- Bottle Rack
- Sabbath Mode
- Energy Star Qualified

### SPECIFICATIONS

KFN 9855 iDE LI (Left Hinge) - Item 38985552CDN

KFN 9855 iDE RE (Right Hinge) - Item 38985551CDN

Overall Unit Width 29<sup>7</sup>/<sub>8</sub>" (759 mm)

Overall Unit Height 79<sup>13</sup>/<sub>16</sub>" (2,027 mm)

Overall Unit Depth 24" (610 mm)

#### Niche

Minimum Cabinet Opening Width 30" (762 mm)

Minimum Cabinet Opening Height 80" (2,032 mm)

Minimum Cabinet Opening Depth 24" (610 mm)

#### Interior Volume

Fresh Food Volume 9.8 cu-ft (277.5 L)

Freezer Volume 4.3 cu-ft (127 L)

#### Plumbing

**Water Supply Requirements** Connect to a cold water supply only. Must be connected to a shut-off valve. The water shut-off valve must be accessible after installation. The water pressure must be between 22 psi (1.5 bar) and may not exceed 87 psi (6 bar). If the pressure is higher than 87 psi (6 bar), a pressure reducing valve must be installed.

**Water Connection Line** Unit comes with a male 3/4" BPT connection on back of unit. The connection parts included with the appliance permit the connection of various water lines (included 1/4" compression fitting). Water line is not included.

#### Electrical

**Electrical Requirements - Volts/Amps** 110V / 120V, 60Hz, 15A (single)  
110V / 120V, 60Hz, 20A (2 Individual units installed side-by-side, using a Duplex outlet)

**Power Cord - Plug** Yes - NEMA 5-15 plug, 6' 6" (2 m)

#### Custom Panel - Refer to manual for further detail

**Maximum Refrigerator Door Panel Weight** Door Panel - 60 lbs (27 kg)

**Maximum Freezer Door Panel Weight Each** Door Panel - 26.5 lbs (12 kg)

**Maximum Panel Thickness** 3/4" (19 mm)

**Minimum Panel Thickness** 5/8" (16 mm)

#### Shipping

**Shipping Weight** 345 lbs (156.5 kg)

**Shipping Dimension** 32<sup>5</sup>/<sub>16</sub>" W x 82<sup>11</sup>/<sub>16</sub>" H x 29<sup>1</sup>/<sub>8</sub>" D

#### Support

**Call Miele** 800.843.7231

**Miele Website** [www.mieleusa.com](http://www.mieleusa.com)

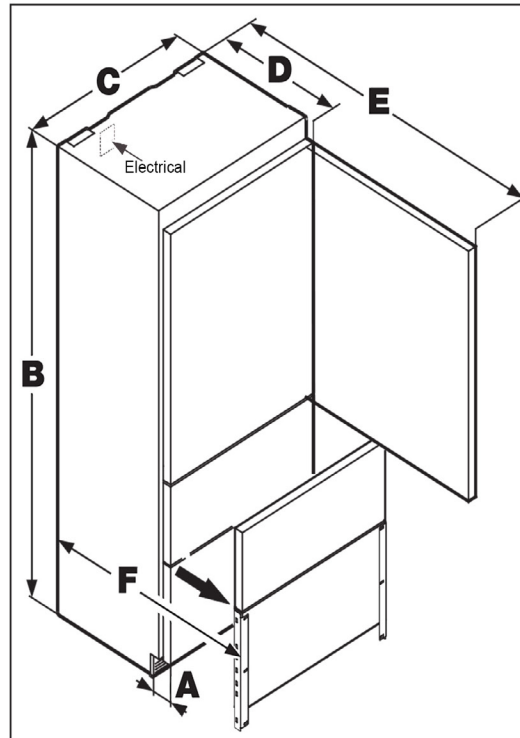
**20/20 Link** [2020technologies.com](http://2020technologies.com)

# Bottom Mount Refrigerator

## KFN 9855 iDE LI / KFN 9855 iDE RE



### Unit Dimension



	<b>A</b>	<b>B</b>	<b>C</b>	<b>D</b>	<b>E</b>	<b>F</b>
<b>KFN 9855 iDE</b>	3" (76 mm)	79-13/16" (2,027 mm)	29-7/8" (759 mm)	24" (610 mm)	55-1/4" (1,413 mm)	37-1/8" (952 mm)

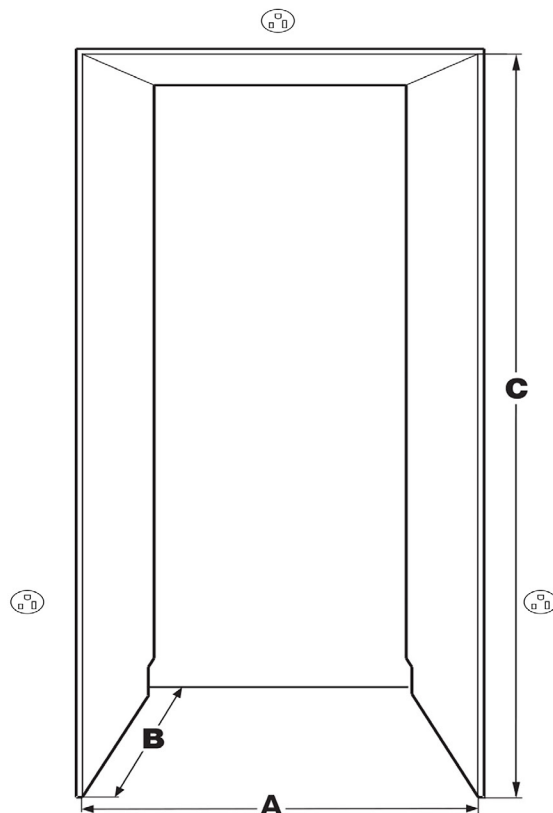
Power Cord exits at the top right when looking at the rear of the unit.

# Bottom Mount Refrigerator

## KFN 9855 iDE LI / KFN 9855 iDE RE



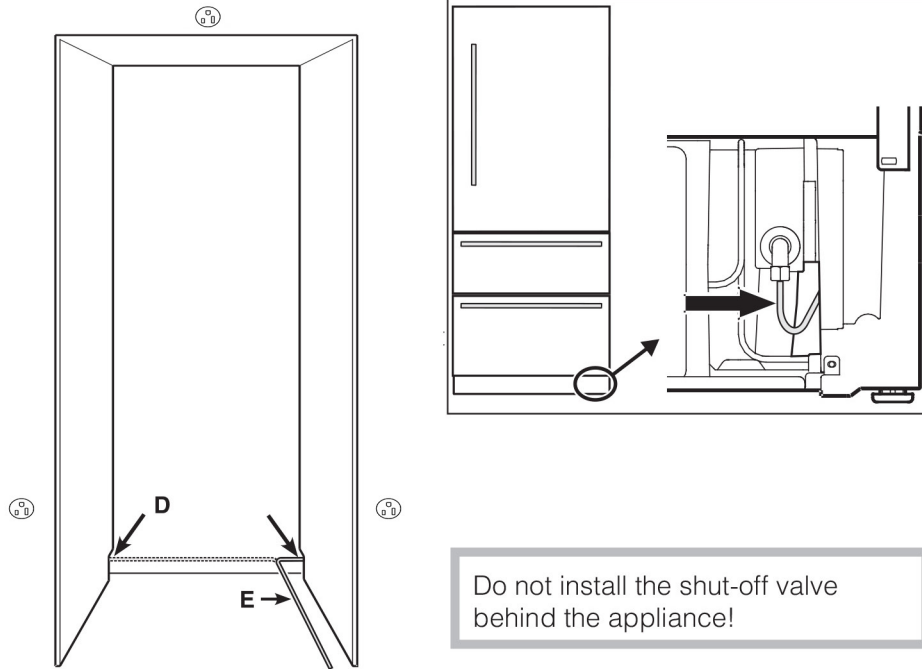
### Niche Dimension



<b>A</b> Cabinet Width	<b>B</b> Inset cabinet Depth	<b>B</b> Frameless/faceframe cabinet Depth	<b>C</b> Cabinet Height
30" (762 mm)	24" (610 mm) + panel thickness	24" (610 mm)	80" (2,032 mm)

For appliance with panel to be flush, adjacent cabinetry depth must equal appliance depth (24") (610mm) plus panel thickness (5/8" – 3/4") (16mm - 19mm).

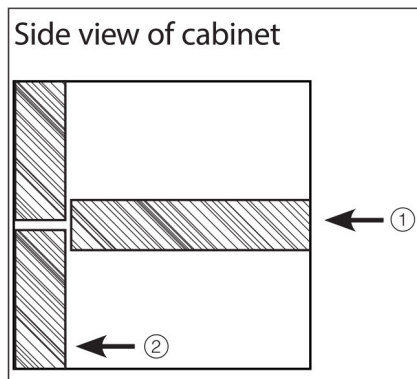
### Water Supply Installation



Water line feed-in (**D**) from left or right above the anti-tipping bracket.

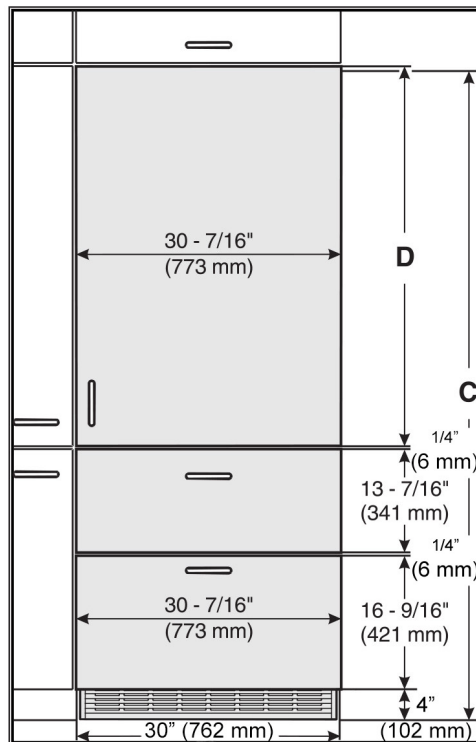
The water line lead-through for the water supply line (**E**) is at the bottom right of the appliance:

### Frameless Installation Panel Dimensions



① Cabinet frame

② Door panel

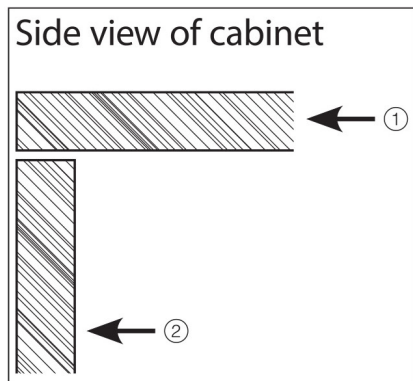


Cabinet opening C	Refrigerator door panel D
80" (2,032 mm)	45-3/4" (1,162 mm)

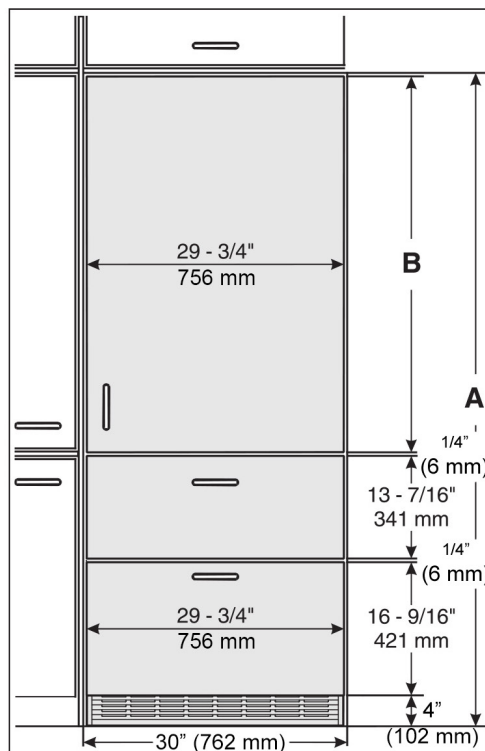
**Please take into account the following information concerning the cabinet front:**

- The panels should be at least 5/8" (16 mm) thick to allow the connecting rails to be fastened to them.
- The maximum panel thickness is 3/4" (19 mm).
- The door panel weight must not exceed 60 lb (27 kg).

### Inset Installation Panel Dimensions



- ① Cabinet frame
- ② Door panel



Cabinet opening A	Refrigerator door panel B
80" (2,032 mm)	45-1/4" (1,150 mm)

**Please take into account the following information concerning the cabinet front:**

- The panels should be at least 5/8" (16 mm) thick to allow the connecting rails to be fastened to them.
- The maximum panel thickness is 3/4" (19 mm).
- The door panel weight must not exceed 60 lb (27 kg).

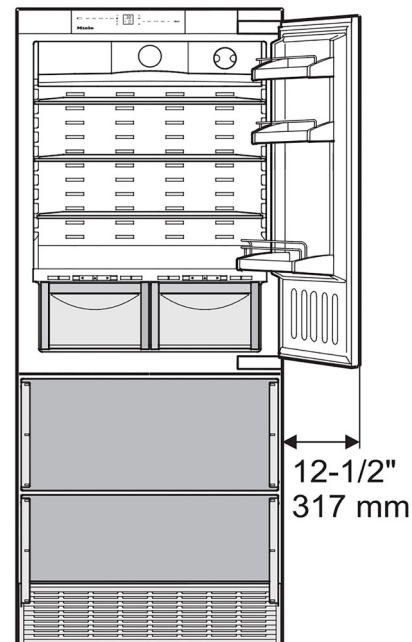
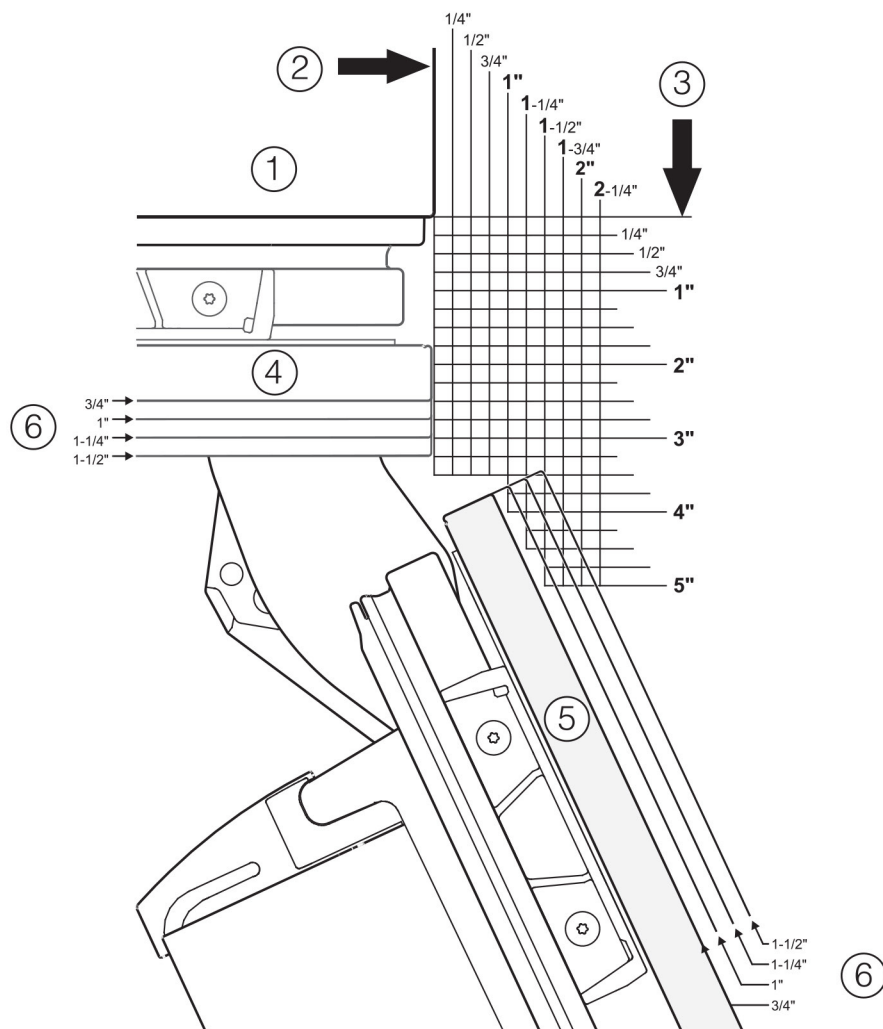
# Bottom Mount Refrigerator

## KFN 9855 iDE LI / KFN 9855 iDE RE



### Door Swing Dimensions

### Door Swing Dimensions



These measurements do not take the cabinet front and the door handle into account; they must be added on accordingly.

- ① Top View
- ② Right side wall of appliance housing
- ③ Front of appliance housing
- ④ Front panel - door closed
- ⑤ Front panel - door opening angle = 115°
- ⑥ Panel thickness