

KF 2912 SF

MasterCool™ fridge-freezer

For high-end design and technology on a large scale.



- Push2open for convenient door-opening assistance
- Food stays fresh for up to 3 x longer thanks to SmartFresh
- Light floods the interior thanks to LED elements – BrilliantLight
- Convenient control thanks to color touch display MasterSensor

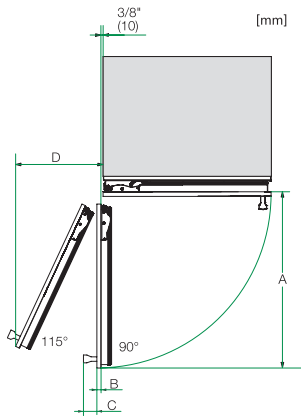
EAN: 4002516321705 / Material number: 11502970 / Old Material Number: 38291211USA

Appliance category	
Fridge-freezer	•
Design	
Door hinge side	Left
Convertible hinging	•
User convenience	
NoFrost	•
SoftClose door closing damper	•
Control	
Independent temperature control of fridge and freezer compartments	Yes
Holiday mode	•
Eco mode	•
Efficiency and sustainability	
Energy Star Qualified	•
Technical data	
Niche width in inches (mm), min.	36 (914)
Niche width in inches (mm), max.	36 (914)
Niche height in inches (mm), min.	84 1/8 (2134)
Niche height in inches (mm), max.	84 1/8 (2134)
Niche depth in in.(mm)	24 1/8 (610)
Appliance width in in.(mm)	35 3/4 (908)
Appliance height in in.(mm)	83 3/4 (2125)
Appliance depth in in.(mm)	24 (608)
Weight in lbs.(kg)	494 (224.0)
Type of mounting	Fixed door
Total usable capacity in cu. ft. (l)	19.56 (554)
Current consumption in milliampere (mA)	4000
Voltage in V	110-120
Fuse rating in A	10
Number of phases	1
Frequency in Hz	60
Wire length in ft (m)	9 (3.0)
Replacing bulbs	Customer Service
Available display languages	

Available display languages via MultiLingua

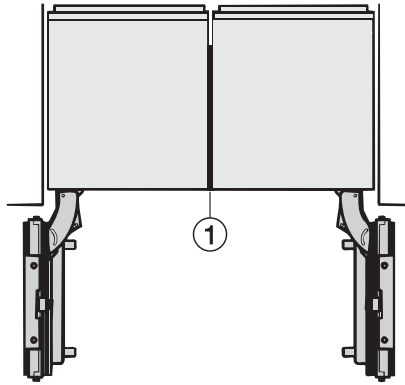
bahasa malaysia, dansk, deutsch, eesti, english, english (AU), english (CA), english (GB), english (US), español, français, français (CA), français (FR), hrvatski, italiano, latviesu, lietuviu, magyar, nederlands, norsk, polski, portugues, русский, română, slovenčina, slovenščina, srpski, suomi, svenska, türkçe, українська, čeština, ελληνικά,

KF 2912 SF MasterCool™ fridge-freezer For high-end design and technology on a large scale.



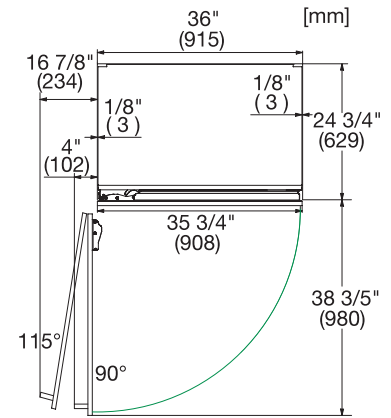
Opening angle 90°/115°, right side stop, MasterCool (Sketch) with footnote

A) Appliance door: K 2611 Vi, KWT 2611 Vi, KWT 2611 SF, KWT 2671 ViS: 677 mm (26 2/3 inch); K 2612 Vi, KWT 2612 Vi, KWT 2612 SF, KWT 2672 ViS: 677 mm (26 2/3 inch); K 2811 Vi, K 2811 SF, KF 2811 Vi, KF 2811 SF: 829 mm (32 2/3 inch); K 2812 Vi, K 2812 SF, KF 2812 Vi, KF 2812 SF: 829 mm (32 2/3 inch); K 2911 Vi, K 2911 SF, KF 2911 Vi, KF 2911 SF: 982 mm (38 2/3 inch); K 2912 Vi, K 2912 SF, KF 2912 Vi, KF 2912 SF: 982 mm (38 2/3 inch); B) Furniture front (max. 38 mm) (1 1/2 inch), C) Door handle, D) Distance from the door to the wall (without furniture front and door handle): K 2611 Vi, KWT 2611 Vi, KWT 2611 SF, KWT 2671 ViS: 296 mm (11 2/3 inch); K 2612 Vi, KWT 2612 Vi, KWT 2612 SF, KWT 2672 ViS: 296 mm (11 2/3 inch); K 2811 Vi, K 2811 SF, KF 2811 Vi, KF 2811 SF: 363 mm (14 1/3 inch); K 2812 Vi, K 2812 SF, KF 2812 Vi, KF 2812 SF: 363 mm (14 1/3 inch); K 2911 Vi, K 2911 SF, KF 2911 Vi, KF 2911 SF: 428 mm (16 7/8 inch); K 2912 Vi, K 2912 SF, KF 2912 Vi, KF 2912 SF: 428 mm (16 7/8 inch); E) ONLY valid for SF versions: A + 25 mm (1 inch)

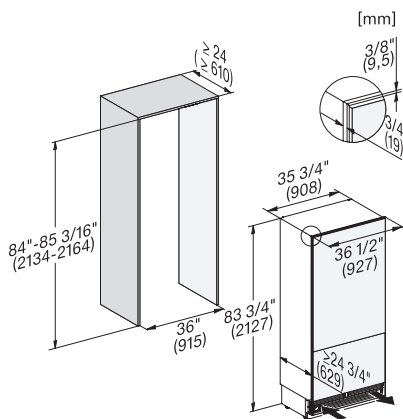


Side-by-side, MasterCool, without partition wall, with heating mat (Sketch) (with footnote)

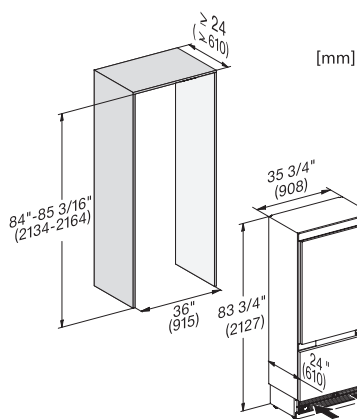
1) Heating mat KSK 2001 (EU, AUS, CN) or KSK 2002 (US, CA, MX, BR)



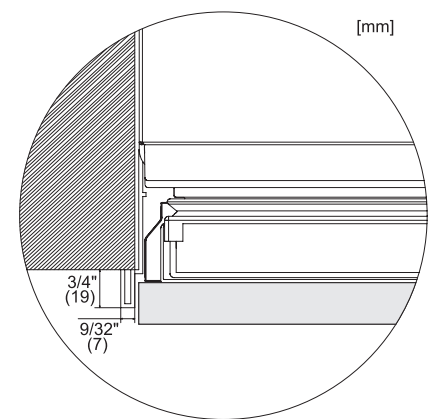
KF2902SF, KF2912SF, KF2901SF, KF2911SF, MasterCool, top view, doorway, installation drawings (US, CA)



KF2902SF, KF2912SF, KF2901SF, KF2911SF, installation, MasterCool, installation drawings (US, CA)



KF2902Vi, KF2912Vi, KF2901Vi, KF2911Vi, installation, MasterCool, installation drawings

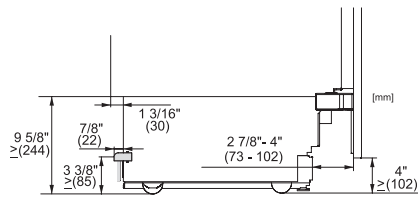


MasterCool, top view, doorway, installation drawings

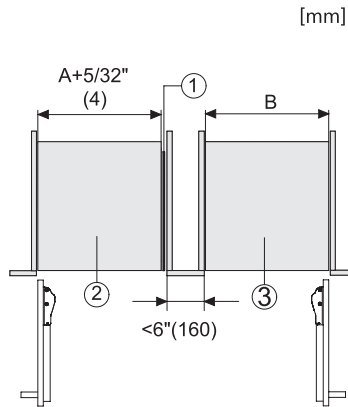
KF 2912 SF

MasterCool™ fridge-freezer

For high-end design and technology on a large scale.

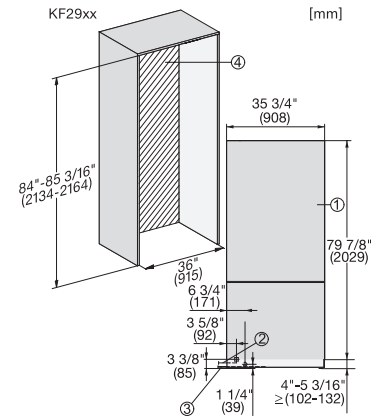


KF2901Vi/SF, KF2911Vi/SF, KF2801Vi/SF, KF2811Vi/SF, KF2981Vi/SF, sideview, MasterCool, installation drawings



Side-by-Side, MasterCool, footnote, installation drawings

1. KSK 2001/2002, 2. Device A, 3. Device B, A = niche device A, B = niche device B



KF2902Vi/SF, KF2912Vi/SF, KF2982Vi/SF, KF2901Vi/SF, KF2911Vi/SF, KF2981Vi/SF, installation, MasterCool

1. View from the front, 2. Mains Connection cable, L = 3000 mm (118 inch), 3. Water inlet position, L = 2000mm (not for KON USA), 4. No water/ELT connections permitted in this area