

KF 2902 SF

MasterCool™ fridge-freezer

For high-end design and technology on a large scale.



- Push2open for convenient door-opening assistance
- Food stays fresh for up to 3 x longer thanks to SmartFresh
- Light floods the interior thanks to LED elements – BrilliantLight
- Convenient control thanks to color touch display MasterSensor

EAN: 4002516321699 / Material number: 11502960 / Old Material Number: 38290211USA

Appliance category	
Fridge-freezer	•
Design	
Built-in	•
Built-in integrated	•
Door hinge side	Right convertible
Convertible hinging	•
Can be installed side-by-side	•
Design	
Front color	Stainless steel/CleanSteel
Lighting	BrilliantLight
User convenience	
Networking with Miele@home	•
Freshness system	MasterFresh
DynaCool	•
NoFrost	•
DuplexCool Pro	•
SoftClose door closing damper	•
SelfClose	•
IceMaker with mains water connection	•
Push2open	•
FullAccess	•
EasyClean	•
MaxLoad hinge	•
Control	
Electronic temperature display and control	MasterSensor
Independent temperature control of fridge and freezer compartments	Yes
Super Cooling	•
SuperFrost	•
No. of temperature zones	3
Sabbath mode	•
Holiday mode	•
Eco mode	•
Fridge/fridge zone	
Height-adjustable toughened glass shelves	2
No. of PerfectFresh drawers	2
SlidingShelf	•
Door rack for tins	1
Inner door racks for bottles	2
Freezer/freezer zone	
Number of freezer baskets	2
Efficiency and sustainability	
Energy Star Qualified	•
Safety	
Lock function	•
Overflow protection	•
Acoustic door alarm	•
Acoustic temperature alarm, freezer section	•
Optical door alarm	•

KF 2902 SF

MasterCool™ fridge-freezer

For high-end design and technology on a large scale.



EAN: 4002516321699 / Material number: 11502960 / Old Material Number: 38290211USA

Optical temperature alarm

•

Technical data

Niche width in inches (mm), min.	36 (914)
Niche width in inches (mm), max.	36 (914)
Niche height in inches (mm), min.	84 1/8 (2134)
Niche height in inches (mm), max.	84 1/8 (2134)
Niche depth in in.(mm)	24 1/8 (610)
Appliance width in in.(mm)	35 3/4 (908)
Appliance height in in.(mm)	83 3/4 (2125)
Appliance depth in in.(mm)	24 (608)
Weight in lbs.(kg)	493 (223.5)
Type of mounting	Fixed door
Total usable capacity in cu. ft. (l)	19.56 (554)
Current consumption in milliampere (mA)	4000
Voltage in V	110-120
Fuse rating in A	10
Number of phases	1
Frequency in Hz	60
Wire length in ft (m)	9 (3.0)
Replacing bulbs	Customer Service

Standard accessories

Active AirClean filter

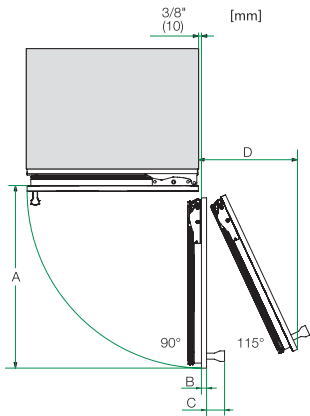
•

Available display languages

Available display languages via MultiLingua

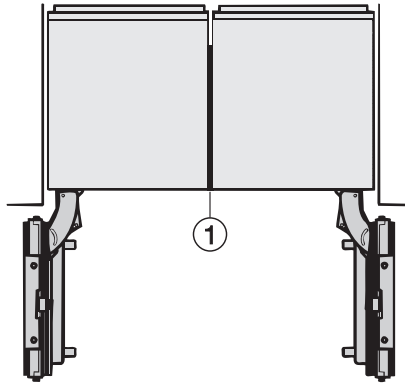
bahasa malaysia, dansk, deutsch, eesti, english, english (AU), english (CA), english (GB), english (US), español, français, français (CA), français (FR), hrvatski, italiano, latviesu, lietuviu, magyar, nederlands, norsk, polski, portugês, русский, română, slovenčina, slovenščina, srpski, suomi, svenska, türkçe, українська, čeština, ελληνικά,

KF 2902 SF
MasterCool™ fridge-freezer
For high-end design and technology on a large scale.



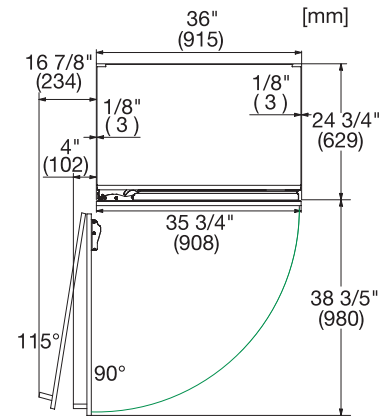
Opening angle 90°/115°, right side stop, MasterCool (Sketch) *footnote

A) Appliance door width, K 2601 Vi, K 2601 SF, KWT 2601 Vi, KWT 2601 SF, KWT 2661 ViS, KWT 2661 SFS: 677 mm (26 2/3, inch); K 2602 Vi, K 2602 SF, KWT 2602 Vi, KWT 2602 SF, KWT 2662 ViS, KWT 2662 SFS: 677 mm (26 2/3, inch); K 2801 Vi, K 2801 SF, KF 2801 Vi, KF 2801 SF: 829 mm (32 2/3 inch); K 2802 Vi, K 2802 SF, KF 2802 Vi, KF 2802 SF: 829 mm (32 2/3 inch); K 2901 Vi, K 2901 SF, KF 2901 Vi, KF 2901 SF: 982 mm (38 2/3 inch); K 2902 Vi, K 2902 SF, KF 2902 Vi, KF 2902 SF: 982 mm (38 2/3 inch); B) Furniture front (max. 38 mm) (1 1/2 inch), C) Door handle, D) Distance door to wall (without furniture front and door handle): K 2601 Vi, K 2601 SF, KWT 2601 Vi, KWT 2601 SF, KWT 2661 ViS, KWT 2661 SFS: 296 mm (11 2/3, inch); K 2602 Vi, K 2602 SF, KWT 2602 Vi, KWT 2602 SF, KWT 2662 ViS, KWT 2662 SFS: 296 mm (11 2/3, inch); K 2801 Vi, K 2801 SF, KF 2801 Vi, KF 2801 SF: 363 mm (14 1/3 inch); K 2802 Vi, K 2802 SF, KF 2802 Vi, KF 2802 SF: 363 mm (14 1/3 inch); K 2901 Vi, K 2901 SF, KF 2901 Vi, KF 2901 SF: 428 mm (16 7/8 inch); K 2902 Vi, K 2902 SF, KF 2902 Vi, KF 2902 SF: 428 mm (16 7/8 inch), E) ONLY valid for SF versions: A + 25 mm (1 inch)

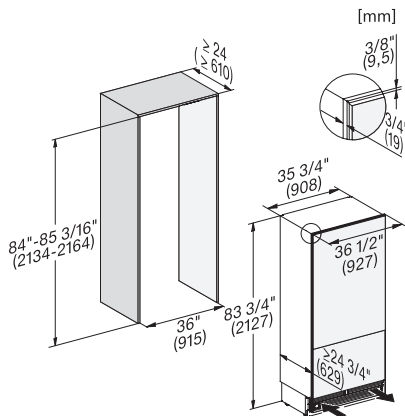


Side-by-side, MasterCool, without partition wall, with heating mat (Sketch) (with footnote)

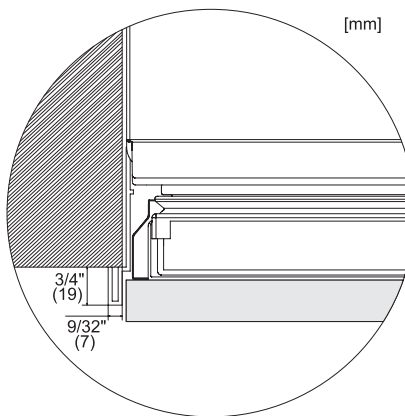
1) Heating mat KSK 2001 (EU, AUS, CN) or KSK 2002 (US, CA, MX, BR)



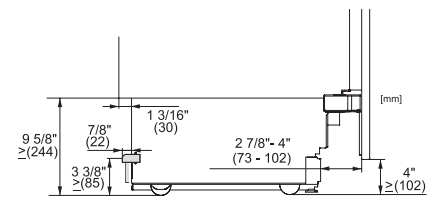
KF2902SF, KF2912SF, KF2901SF, KF2911SF, MasterCool, top view, doorway, installation drawings (US, CA)



KF2902SF, KF2912SF, KF2901SF, KF2911SF, installation, MasterCool, installation drawings (US, CA)

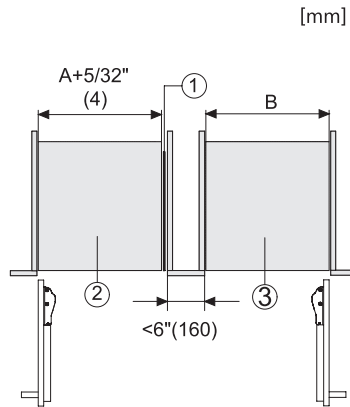


MasterCool, top view, doorway, installation drawings

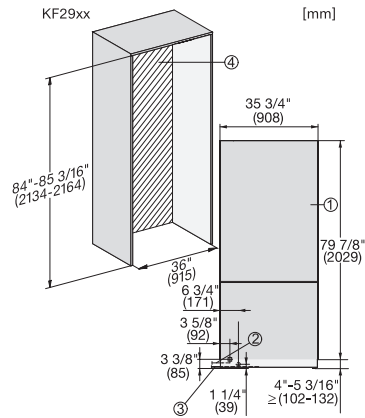


KF2901Vi/SF, KF2911Vi/SF, KF2801Vi/SF, KF2811Vi/SF, KF2981Vi/SF, sideview, MasterCool, installation drawings

KF 2902 SF
 MasterCool™ fridge-freezer
 For high-end design and technology on a large scale.



Side-by-Side, MasterCool, footnote, installation drawings
 1. KSK 2001/2002, 2. Device A, 3. Device B, A = niche device A, B = niche device B



KF2902Vi/SF, KF2912Vi/SF, KF2982Vi/SF, KF2901Vi/SF, KF2911Vi/SF, KF2981Vi/SF, installation, MasterCool
 1. View from the front, 2. Mains Connection cable, L = 3000 mm (118 inch), 3. Water inlet position, L = 2000mm (not for KON USA), 4. No water/ELT connections permitted in this area