

Operating and Installation Instructions Refrigerators



To prevent accidents and machine damage, read these instructions **before** installation or use.

Contents

IMPORTANT SAFETY INSTRUCTIONS	5
Caring for the environment	12
How to save energy	13
Guide to the appliance	15
Control panel.....	15
Accessories	17
Accessories supplied	17
Optional accessories.....	17
Switching on and off	19
Before first use	19
Cleaning the refrigerator.....	19
Turning off for longer periods of time	20
The correct temperature	21
... in the refrigerator section	21
Automatic cold air circulation (DynaCool)	21
Temperature display	21
Setting the temperature.....	21
Using Automatic SuperCool	22
Automatic SuperCool function	22
Door alarm	23
Door alarm.....	23
Turning the door alarm off early	23
Selecting additional settings	24
Settings mode	24
Activating and deactivating the safety lock.....	24
Storing food in the refrigerator section	26
Different storage zones	26
Food which is not suitable for storage in the refrigerator section	27
Notes on buying food.....	27
Storing food correctly.....	28
Adjusting the interior fittings	29
Adjusting the door shelf/bottle shelf	29
Moving the shelves.....	29
Adjusting the bottle holder	29
Moving the carbon filter	30

Defrosting	31
Cleaning and care	32
Cleaning agents.....	32
Preparing the appliance for cleaning.....	33
Cleaning the interior and accessories	34
Cleaning the door seal	35
Cleaning the ventilation grilles.....	35
Cleaning the compressor at the back of the appliance	35
Starting up the appliance after cleaning	35
Replacing the carbon filters	36
Frequently Asked Questions	37
Causes of noises	43
Technical Service	44
Contact in case of fault	44
Warranty	44
Electrical connection	45
Installation	47
Side-by-side.....	47
Installation location	47
Climate class	48
Ventilation.....	48
Door panel.....	49
Weight of the door panel.....	49
Calculation of cabinet door size	49
Before installing the appliance	50
Installation dimensions.....	51
Changing the door hinges	52
Adjusting the door hinge	54
Adjusting the door hinges	54
Limiting the opening angle of the appliance door.....	54
Building in the appliance	55
To install the appliance, you will need the following tools:.....	55
Parts required for installation:	55
Preparing the appliance	55
Positioning the appliance	57
Aligning the appliance.....	58

Contents

Installing a continuous toe-kick facing.....	59
Securing the appliance in the niche.....	60
Fitting the cabinet door	60

IMPORTANT SAFETY INSTRUCTIONS

This appliance complies with all statutory safety requirements. Please note that inappropriate use can lead to personal injury and damage to property.

To avoid the risk of accidents and damage to the appliance, please read these instructions carefully before using it for the first time. They contain important notes on installation, safety, use and maintenance.

Miele cannot be held liable for non-compliance with these instructions.

Keep these instructions in a safe place and ensure that new users are familiar with the contents. Pass them on to any future owner.

Appropriate use

► This appliance is intended for use in the home and similar environments.

This appliance is not intended for use outdoors, in damp environments or in places exposed to rain.

► The oven is intended for domestic use only: cooking, baking, roasting, broiling, defrosting and heating of food. Only use this appliance for its intended purpose.

► This appliance is not suitable for storing and keeping cool medicines, blood plasma, laboratory preparations or other such materials or products. Incorrect use of the appliance for such purposes can cause deterioration of the items stored. The appliance is not suitable for use in areas where there is a risk of explosion. Miele cannot be held liable for damage resulting from improper or incorrect use of the appliance.

► Persons (including children) which lack physical, sensory or mental abilities or experience with the machine should not use it without supervision or instruction by a responsible person.

IMPORTANT SAFETY INSTRUCTIONS

Safety with children

- ▶ To reduce the risk of injury, do not allow children to play in, on or near the appliance.
- ▶ Ensure that any packing material is disposed of safely and kept out of the reach of children. DANGER of suffocation!

Technical safety

- ▶ The refrigerant system is tested for leaks. This appliance complies with statutory safety requirements.
- ▶ This appliance contains the refrigerant Isobutane (R600a), a natural gas which is environmentally friendly. Although it is combustible, it does not damage the ozone layer and does not increase the greenhouse effect.

The use of this refrigerant has, however, led to a slight increase in the noise level of the appliance. In addition to the noise of the compressor, you might be able to hear the refrigerant flowing around the system. This is unavoidable, and does not have any adverse effect on the performance of the appliance.

Care must be taken during the transportation and setting up of the appliance that no parts of the cooling system are damaged. Leaking refrigerant can cause severe irritation to the eyes.

In the event of any damage:

- avoid open flames and anything that creates a spark,
- disconnect the appliance from the electrical power supply,
- ventilate the room where the appliance is located for several minutes, and
- contact Miele Technical Service.

IMPORTANT SAFETY INSTRUCTIONS

- ▶ The more coolant there is in an appliance, the larger the room it should be installed in. In the event of a leakage, if the appliance is in a small room, there is the danger of combustible gases building up. For every 11 g of coolant at least 1 m³ of room space is required. The amount of coolant in the appliance is stated on the data plate inside the appliance.
- ▶ To avoid the risk of damage to the appliance, make sure that the connection data (fuse rating, frequency and voltage) on the data plate corresponds to the household supply. Check that this is the case before connecting the appliance. Consult a qualified electrician if in any doubt.
- ▶ The electrical safety of the appliance can only be guaranteed when correctly grounded. It is essential that this standard safety requirement is met. If in any doubt please have the electrical installation tested by a qualified electrician.
- ▶ Reliable and safe operation of this appliance can only be assured if it has been connected to the electricity supply.
- ▶ If the power cord is damaged, it must be replaced by a Miele authorized technician in order to protect the user from harm.
- ▶ Do not connect the appliance to the electrical supply with a power bar or extension cord. These are a fire hazard and do not guarantee the required safety of the appliance.
- ▶ If moisture gets into electrical components or into the power cord, it could cause a short circuit. Therefore, do not operate the machine in areas where there may be moisture or splashing water (e.g., garages, laundry rooms).
- ▶ This appliance must not be installed and operated in mobile installations (e.g. on a ship).
- ▶ Do not use a damaged appliance. It could be dangerous. Check the appliance for visible signs of damage.

IMPORTANT SAFETY INSTRUCTIONS

- ▶ For safety reasons, this appliance may only be used after it has been built in.
- ▶ During installation, side-by-side heater installation, maintenance and repair work, the appliance must be disconnected from the electrical power supply. It is only completely isolated from the electricity supply when:
 - the circuit breaker has been tripped, or
 - the screw-type fuses on the electrical service panel have been removed or
 - the power cord has been unplugged. Pull on the plug and not on the cord when removing it from the outlet.
- ▶ Installation, repair, and maintenance work should only be performed by a Miele-authorized service technician. Work by unqualified persons could be dangerous and may void the warranty.
- ▶ Any manufacturer's warranty will be void if the appliance is not repaired by a Miele approved service technician.
- ▶ Defective components should only be replaced by Miele original parts. Only with these parts can the manufacturer guarantee the safety of the appliance.

Correct use

- ▶ The appliance is designed for use within a certain climate range (ambient temperatures), and should not be used outside this range. The climate range for your appliance is stated on the data plate inside the appliance. Installing it in a room with too low an ambient temperature, e.g. a garage, will lead to the appliance switching off for longer periods so that it cannot maintain the required temperature.
- ▶ **WARNING! DANGER of overheating!** Do not cover or block the air vents. This can impair the efficiency of the appliance, increase the power consumption and cause damage to the appliance.

IMPORTANT SAFETY INSTRUCTIONS

- ▶ If storing food which contains a lot of fat or oil in the appliance, make sure that it does not come into contact with plastic components as this could cause stress cracks or break the plastic.
- ▶ Do not store explosive materials in the appliance or any products containing propellants (e.g. spray cans). Electrical components could cause flammable vapors to ignite.
DANGER of fire and explosion.
- ▶ Do not operate any electrical equipment (e.g. an electric ice cream maker) inside the appliance.
DANGER of sparking and explosion.
- ▶ When eating stored food, there is a danger of food poisoning. Storage times will depend on several factors, including the freshness and quality of the food, as well as the temperature at which it is stored. Observe the manufacturer's "use-by" dates and storage instructions.
- ▶ Use only genuine original Miele parts. If parts or accessories from other manufacturers are used, the warranty may become invalid.

Cleaning and maintenance

- ▶ Do not use any oil or grease on the door seals. They can cause the seals to deteriorate over time.
- ▶ Never use a steam cleaner to clean the appliance. The steam can reach the electrical components and cause a short circuit.
- ▶ Sharp edged or pointed objects will damage the evaporator, causing irreversible damage to the appliance. Do not use sharp edged or pointed objects to
 - remove frost or ice,
 - separate frozen foods or remove ice trays.
- ▶ Never place electric heaters or candles in the appliance to defrost it. These can damage the plastic parts.

IMPORTANT SAFETY INSTRUCTIONS

▶ Do not use defrosting sprays or de-icers, as they could contain substances which could damage the plastic parts or which might cause the build-up of gases and pose a danger to health.

Transport

▶ To avoid damage to the appliance, always transport it upright and in its packaging.

▶ DANGER of injury and damage. The appliance is very heavy and must be transported by two people.

Disposal of your old appliance

▶ Children could become trapped in the machine and could suffocate.

- Remove the machine doors.

- Remove the drawers.

- Leave the adjustable shelves in the machine so children cannot climb inside.

▶ DANGER of electric shock!

- Cut the plug off the power cord.

- Cut the power cord off the old appliance.

▶ Dispose of them separately from the appliance.

▶ Ensure that the appliance is not stored in the vicinity of gasoline or inflammable gases and liquids during and after disposal.

▶ Make sure that the coolant pipework is not damaged during disposal to avoid uncontrolled leakage of oil and coolant (see data plate for coolant type).

▶ Before disposing of an old appliance, first make the door latches or locks unusable.

This way you will prevent children from accidentally locking themselves in and endangering their lives.

IMPORTANT SAFETY INSTRUCTIONS

- Splashes of coolant can cause damage to the eyes. Be careful not to damage any part of the pipework while awaiting disposal, e.g. by
- puncturing the coolant channels in the evaporator,
 - kinking any pipework,
 - scratching the surface coating.

Symbol on the compressor (depending on model)

This information is only relevant for recycling. There is no risk during normal operation.



- The oil in the compressor can be fatal if swallowed or if it penetrates the airways.

Caring for the environment

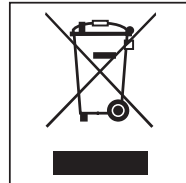
Disposal of packaging material

The packaging is designed to protect the appliance from damage during transportation. The packaging materials used are selected from materials which are environmentally friendly for disposal and should be recycled.

Ensure that any plastic wrappings, bags, etc. are disposed of safely and kept out of the reach of children. Return the packaging to your dealer.

Disposal of your old appliance

Electrical and electronic appliances contain valuable materials. They also contain certain substances, compounds and components which were essential for the proper functioning and safe use of the equipment. Handling these materials improperly by disposing of them in your household waste can be harmful to your health and the environment. Therefore, please do not dispose of your old appliance with regular household waste and follow local regulations on proper disposal.



Consult with local authorities, dealers or Miele in order to dispose of and recycle electrical and electronic appliances. Miele assumes no responsibility for deleting any personal data left on the appliance being disposed.

Take care not to damage the pipework at the back of your appliance before or during transportation to an authorized, environmentally friendly collection depot.

This way, coolant in the pipework and oil in the compressor will be contained, and will not leak into the environment.

Please ensure that your old appliance does not pose a danger to children while being stored prior to disposal. See "IMPORTANT SAFETY INSTRUCTIONS" for more information.

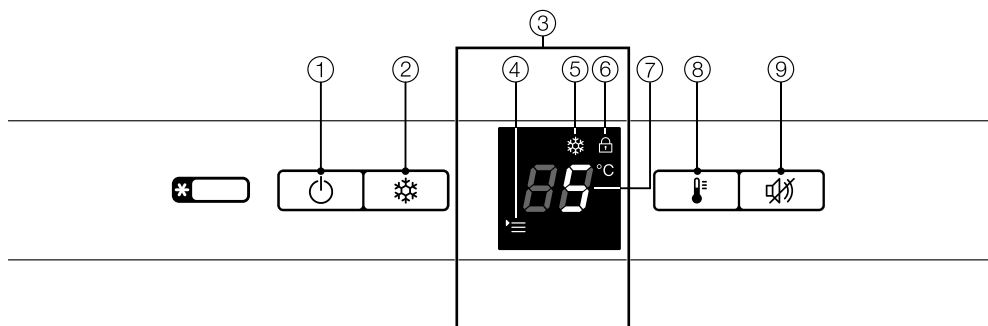
How to save energy

	Normal energy consumption	Increased energy consumption
Installation / Maintenance	In a well-ventilated room.	In an enclosed, poorly ventilated room.
	Protected from direct sunlight.	In direct sunlight.
	Away from heat sources (radiator, range/oven).	Near a heat source (radiator, oven).
	Where the ideal room temperature is approx. 68°F (20°C).	Where the ambient room temperature is above 77°F (25°C).
	Air vents uncovered and dusted regularly.	Where the ventilation openings are blocked and full of dust.
Temperature setting	39°F to 41°F (4°C to 5°C) in the refrigerator section	The lower the temperature in the appliance, the higher the energy consumption.

How to save energy

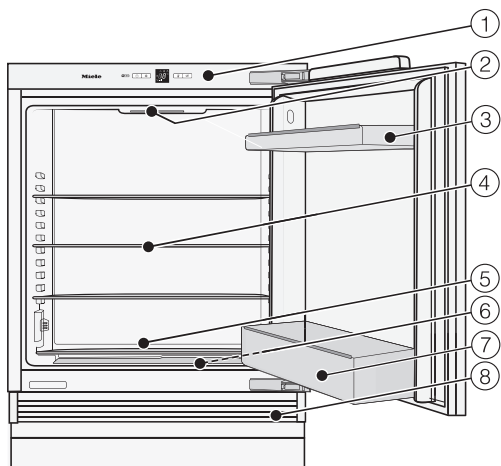
	Normal energy consumption	Increased energy consumption
Use	The drawers, and shelves are arranged as they were when the appliance was delivered.	
	Only open the door when necessary and for as short a time as possible. Store food in an organized way.	Frequent opening of the door for long periods will cause a loss of coldness. The appliance will try to cool down and the compressor will run for longer periods.
	When shopping, use a cooler bag and place the food in the appliance as soon as possible. Replace any food removed as quickly as possible, before it warms up too much. Allow hot food and drinks to cool down before placing them in the appliance.	Hot food or food at room temperature raises the temperature inside the refrigeration appliance. The appliance will try to cool down and the compressor will run for longer periods.
	Store food well packaged or covered.	The evaporation or condensation of liquids in the refrigerator section will cause a loss of coldness.
	Place frozen food in the refrigerator section to defrost.	
	Do not overfill the appliance in order to allow the air to circulate.	Poor air circulation will cause a loss of coldness.

Control panel



- ① On/Off button
- ② Automatic SuperCool button
- ③ Display
- ④ Menu symbol
(Settings mode for:
switching the safety lock on/off)
- ⑤ Automatic SuperCool symbol
- ⑥ Lock symbol
- ⑦ Temperature display
- ⑧ Temperature selector button
- ⑨ Alarm off button

Guide to the appliance

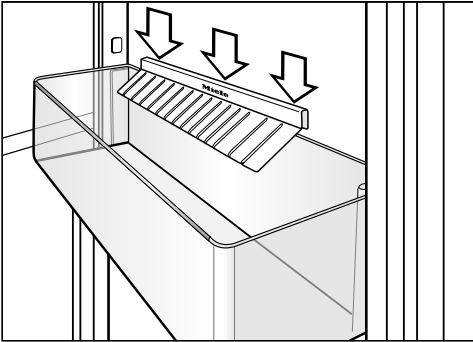


- ① Control panel with display
- ② Interior lighting (depending on model)
- ③ Egg tray/door shelf
- ④ Adjustable rack
- ⑤ Condensate channel and drain hole
- ⑥ Fruit and vegetable drawer
- ⑦ Bottle shelf with bottle holder
- ⑧ Ventilation grille

Accessories

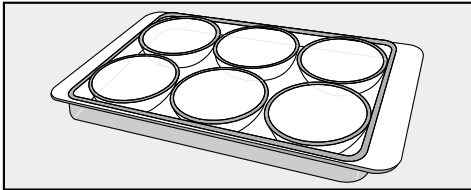
Accessories supplied

Bottle holder



The non-slip fins of the bottle holder jut out into the bottle shelf and make bottles more secure when you open and close the appliance door.

Egg tray

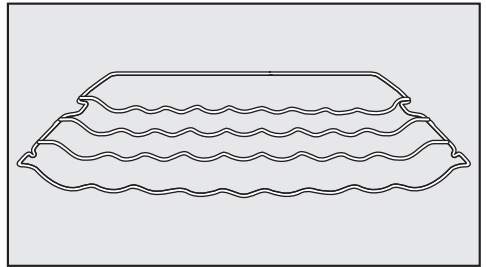


Optional accessories

A range of useful Miele accessories and care products are available for your appliance.

Accessories are available to order via the Miele Webstore, from Miele directly (see back cover for contact details) or from your Miele dealer.

Bottle rack



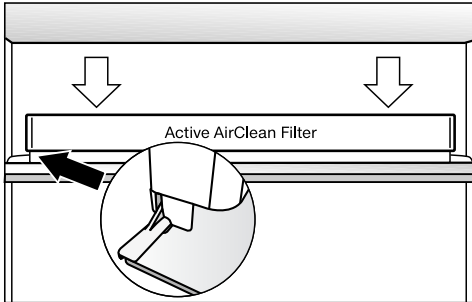
Bottles can be stored horizontally using the bottle rack to save space.

The bottle rack can be placed at different positions in the refrigerator section.

Guide to the appliance

KKF-FF Active AirClean carbon filter with holder

Carbon filters neutralize unpleasant odors in the refrigerator section for improved air quality.



The carbon filter holder clips onto the protective strip at the back of the shelf and can be moved as necessary.

KKF-RF Active AirClean replacement filters

Replacement filters to fit the Active AirClean holder are available. We recommend replacing the carbon filters every 6 months.

Before first use

Packaging material

- Remove all packaging material from the inside of the appliance.

Removing the protective film

The stainless steel strips on the door shelves and adjustable shelves have a layer of protective film to prevent damage during transportation.

- Carefully remove the protective film from the stainless steel trim.

Cleaning the refrigerator

Please refer to the relevant instructions in “Cleaning and care”.

- Clean the inside of the appliance and the accessories.


Switching on the appliance

To enable the temperature to get sufficiently cold inside the appliance, allow the appliance to run for some time before placing food in it for the first time.

- Press the  button.

The appliance will start to cool and the temperature required will appear in the temperature display. The interior lighting will come on when the door is opened.

Switching off the appliance


- Press the  button until the display goes out.

If this does not work, the safety lock is activated (see “Selecting additional settings – Activating and deactivating the safety lock”).

The interior lighting goes out and cooling is turned off.

Switching on and off

Turning off for longer periods of time

 If you go away for a prolonged period, there is a danger of mould building up inside the appliance if you leave it switched off with the door shut without cleaning it first. It is essential to clean the appliance.

If the appliance is not going to be used for a prolonged period of time, e.g. while on vacation:

- turn the appliance off,
- unplug the appliance or flick the circuit breaker to off,
- clean the appliance and
- leave the door(s) ajar to air the appliance and avoid odors building up inside the appliance.

The correct temperature

It is very important to set the correct temperature for storing food in the appliance. Bacteria will cause food which is not stored at the correct temperature to deteriorate rapidly. Temperature influences the growth rate of these bacteria. Reducing the temperature reduces their growth rate.

The temperature in the appliance will rise:

- The more often the door is opened and the longer it is kept open
- The more food that is stored in it
- The warmer the food is which is being put into it
- The higher the ambient temperature surrounding it. The appliance is designed for use within specific ambient temperatures (climate range). Do not use in ambient temperatures for which it is not designed.

. . . in the refrigerator section

We recommend a temperature of **39°F (4°C)** in the refrigerator section.

Automatic cold air circulation (Dyna-Cool)

The fan automatically turns on when the cooling system for the refrigerator section turns on. It distributes the temperature in the refrigerator section to all areas evenly so that all the food inside will be chilled to about the same degree.


Temperature display

In normal operation the temperature display shows the **required** temperature.

Setting the temperature

If the appliance door is opened very often, or if large quantities of food are being stored in the appliance, or if the ambient temperature is high, it is advisable to set the temperature between **37°F (3°C) and 41°F (5°C)**.

The temperature can be adjusted from 35°F (2°C) to 49°F (9°C).

- Press the  button until the temperature you want is shown in the temperature display.

The first time you press the button the last temperature set will flash in the display.

The temperature value will change up until the setting for 35°F (2°C) is reached. It will then drop back to 49°F (9°C).

After a short while the newly selected temperature is set automatically and will appear in the temperature display.

The temperature in the appliance will now adjust slowly to the newly set temperature.

Using Automatic SuperCool

Automatic SuperCool function

The Automatic SuperCool function can be used to rapidly reduce the temperature in the Fridge Zone to its lowest setting (depending on the room temperature).

Automatic SuperCool is particularly recommended for the rapid chilling of large amounts of fresh food or drink.

Switching on Automatic SuperCool

- Press the ❄️ button.

The Automatic SuperCool ❄️ symbol will light up. The appliance will work at full power to lower the temperature in the Fridge Zone.

Switching off Automatic SuperCool

The Automatic SuperCool function will switch itself off automatically after approx. 12 hours. The Automatic SuperCool ❄️ symbol will go out and the appliance will run at normal power again.

To save energy, the Automatic SuperCool function can be switched off once food and drinks are sufficiently chilled.

- Press the ❄️ button so that the ❄️ symbol goes out.

The appliance will then continue running at normal power.

The appliance is fitted with a warning system to avoid increased energy consumption if the door is left open.


Door alarm

An alarm will sound if the machine door has been left open for longer than 60 seconds.

As soon as the door is closed, the alarm sound will stop.

Turning the door alarm off early

If the alarm disturbs you, it can be turned off early.

- Press the  button.

The alarm will stop.

The alarm cannot be turned off early in Settings mode.

Selecting additional settings

Settings mode

Certain settings on the appliance can only be selected in settings mode.

Activating and deactivating the safety lock	⌘
Setting the temperature display °C/°F	⊖

Settings mode is represented in the display by the menu symbol \equiv .

The procedure for accessing settings mode and for changing settings is described below.

Activating and deactivating the safety lock

The safety lock can be activated to prevent the appliance being turned off by mistake.

– To activate the lock

- Press the \odot button for approx. 5 seconds.

The menu symbol \equiv lights up and \odot flashes in the display. Settings mode has now been activated.

- Press the \odot button briefly to access the lock function.

\odot will appear in the display.

- Press the \odot button briefly to activate the lock.

The lock symbol \mathcal{L} lights up.

- Press the on/off \odot button to exit Settings mode.

The temperature will appear in the display.

– To deactivate the lock

- Press the \odot button for approx. 5 seconds.

The lock symbol \mathcal{L} and the Menu symbol \equiv will light up and \odot will start flashing in the display.

Settings mode has now been activated.

- Press the \odot button briefly to access the lock function.

\odot will appear in the display.

- Press the \odot button briefly to deactivate the lock.

The lock symbol \mathcal{L} will go out.

- Press the on/off \odot button to exit Settings mode.

The temperature of the Fridge Zone will appear in the display.

Changing the temperature unit (Celsius or Fahrenheit)

The temperature can be displayed in either Fahrenheit (°F) or Celsius (°C). The factory default is Fahrenheit °F.

– To change the temperature display to Celsius

- Press the \odot button for approx. 5 seconds.

The menu symbol \equiv lights up and \odot flashes in the display. Settings mode is now activated.

- Press the \mathcal{F} button to access the “Change temperature unit” function.


\odot flashes in the display.

- Press the \odot button briefly to select °C.

°C appears in the display

Selecting additional settings

- Press the  button briefly to confirm.

 flashes in the display.

- Press the  button to exit Settings mode.


The temperature will now be displayed in Celsius.


– To change the temperature display to Fahrenheit

- Press the  button for approx. 5 seconds.

The menu symbol  lights up and  flashes in the display.

Settings mode is now activated.

- Press the  button to access the “Change temperature unit” function.


 flashes in the display.

- Press the  button briefly to select °F.

°F will appear in the display

- Press the  button briefly to confirm.


 flashes in the display.

- Press the  button to exit Settings mode.


The temperature will now be displayed in Fahrenheit.

Storing food in the refrigerator section


Do not load more than a maximum of 35 lb (16 kg) of food in the appliance door.

 Risk of fire from electrical appliances.

Operating electrical devices in the appliance can cause sparks to form. Do not operate any electrical devices inside the appliance.

 Risk of explosion due to flammable mixes of gases.

Electrical components can cause flammable mixes of gases to ignite. Do not store any explosive materials or products containing flammable propellants (e.g., spray cans) in the appliance. The spray cans in question can be identified by the contents printed on the can or by a flame symbol. Electrical components can cause escaping gases to ignite.

 Risk of damage due to greasy or oily foods.

If storing food which contains a lot of fat or oil in the appliance or the door, make sure that it does not come into contact with plastic components as this could cause stress cracks or break the plastic.

Make sure that no fat or oil leaks onto the plastic parts of the appliance.

Different storage zones

Due to natural air circulation, there are different temperature zones in the refrigerator section.

Cold, heavy air sinks to the lowest section of the refrigeration section. Make use of the different zones when placing food in the appliance.

Tip: To allow air to circulate efficiently, do not pack food too closely together in the refrigerator.

If there is insufficient air circulation, the cooling performance will decrease and energy consumption will increase.

Do not cover the fan in the rear wall of the appliance.

Tip: Do not store food in such a way that it touches the rear wall of the refrigerator section as it may freeze to the rear wall.

This appliance has DynamicCooling, which helps to keep an even temperature when the fan is running. When DynamicCooling is turned on, the difference between the various zones is less pronounced.

Warmest area

The warmest area in the refrigerator section is in the top section of the door. Use this for storing butter so that it remains spreadable and cheese so that it retains its flavor.

Storing food in the refrigerator section

Coldest area

The coldest area in the Fridge Zone is directly above the fruit and vegetable drawer and at the back of the appliance.

Use these areas to store all delicate and highly perishable food, e.g.,

- fish, meat, poultry,
- cold cuts, ready-made meals,
- dishes or baked goods containing eggs or cream,
- fresh dough, cake mixtures, pizza dough, or pie dough,
- raw milk cheese and other raw milk products,
- pre-packed vegetables and other fresh food whose best-before date requires storage at a temperature of at least 39°F (4°C).

Food which is not suitable for storage in the refrigerator section

Not all food is suitable for refrigeration at temperatures below 41°F (5°C) because it is sensitive to cold. Depending on the type of food, the appearance, consistency, flavor, and/or vitamin content may be altered if stored at too cold a temperature.

Foods which are sensitive to cold include:

- Pineapples, avocados, bananas, pomegranates, mangoes, melons, papayas, passion fruit, citrus fruits such as lemons, oranges, mandarins, grapefruits
- Fruit (which is not yet ripe)
- Eggplants, cucumbers, potatoes, peppers, tomatoes, zucchini
- Hard cheeses (e.g., Parmesan)

Notes on buying food

The freshness of food when first placed in the appliance is an important factor in determining how long it stays fresh, and how long it can be kept in the appliance.

Take into account the use-by date and the correct storage temperature.

Time out of the refrigerator, e.g., transporting food in a warm car, should be kept to a minimum.

Tip: Take a cool bag when shopping, and load food in the appliance as soon as possible.

Storing food in the refrigerator section

Storing food correctly

Ensure that food stored in the Fridge Zone is **in packaging or covered properly**. This will prevent food smells from affecting other foods, food from drying out, and also any cross-contamination of bacteria. This is especially important when storing meat products. By ensuring that the temperature settings are correct and by taking appropriate hygiene measures, you can prolong the storage life of your food considerably.

Fruit and vegetables

Fruit and vegetables can be stored loose in the fruit and vegetable drawer.

Protein-rich food

Please note that foods rich in protein deteriorate faster than others. Shellfish, for example, deteriorates faster than fish, and fish deteriorates faster than meat.

Adjusting the interior fittings

Adjusting the door shelf/bottle shelf

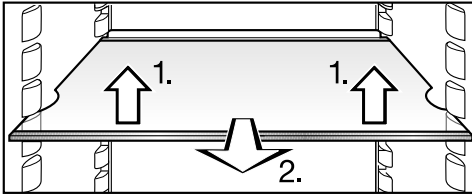
Danger of injury!

Only move the door shelves/bottle shelves in the door when they are empty.

- Push the door/bottle shelf upwards, then remove it by pulling it forwards.
- Replace the shelf at the required height. Ensure that it is securely pushed back into position.

Moving the shelves

The shelves can be adjusted according to the height of the food.

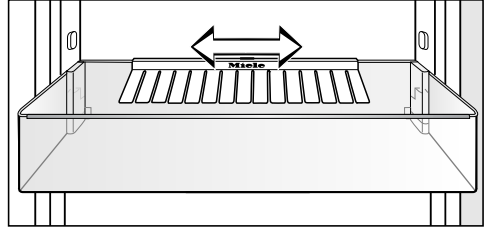


- Lift the shelf at the front, pull it forwards slightly, lift the recess over the shelf supports and move the shelf up or down.

The raised edge on the protective strip at the back must face upwards to prevent food from touching the back of the appliance and freezing to it.

Stoppers prevent the shelves from being dislodged by mistake.

Adjusting the bottle holder



The bottle holder can be moved left or right, thus creating more room for drink cartons.

The bottle holder can be removed completely, e.g. for cleaning:

- Lift up the bottle shelf and pull it forward to remove it.
- Detach the bottle holder from the back edge of the bottle shelf.

Adjusting the interior fittings

Moving the carbon filter

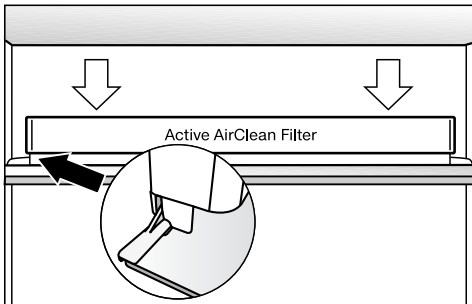
The carbon filter with KKF-FF holder (Active AirClean) is available as an optional accessory (see “Accessories - Optional accessories”).

When you are storing very strong-smelling food (e.g., cheese):


- Place the holder with the carbon filters on the adjustable shelf where this food is being kept.
- Change the carbon filters sooner if necessary.
- Use additional carbon filters (with holders) in the appliance (see “Accessories – Optional accessories”).

The holder for the carbon filters sits on the protective strip at the back of the adjustable shelf.

- To move the carbon filter, pull the holder up and off the protective strip.



- Refit it on the protective strip of the adjustable shelf you wish to use it on.

 **WARNING! DANGER** of injury and damage!


Do not use any mechanical or other types of aids which are not recommended by the manufacturer to accelerate the defrosting process.

Refrigerator section


The refrigerator defrosts automatically.

Condensate and frost can build-up on the back wall of the refrigerator when the compressor is running. There is no need to remove it, since it will evaporate automatically with the warmth generated by the compressor.


The condensate is drained away through a channel and drain hole, then fed into an evaporation system at the back of the appliance.

 Condensate must be able to drain away unhindered at all times. Keep the condensate channel and drain hole clean to enable this.


Cleaning and care


 **WARNING! DANGER** of electric shock!

Unplug the appliance or trip the circuit breaker.

 **WARNING! Fire hazard!**

Do not damage the coolant pipework.

 Do not let water get into the electronic unit or the lighting.

 Steam from a steam cleaning appliance could reach the electrical components and cause a short circuit.

Do not use a steam cleaner!

Cleaning water must not get into the drain hole.

The data plate located inside the appliance must not be removed. It contains information which is required in the event of a service call.

Cleaning agents

Cleaning and conditioning agents used inside the appliance must be food safe.

To avoid damaging the surfaces of your appliance, **do not** use

- cleaning products containing soda, ammonia, acid, or chloride,
- lime scale removers,
- abrasive cleaning products, such as scouring powder, scouring liquid, or pumice stones,
- cleaners containing solvents,
- stainless steel cleaners,
- dishwasher detergent,
- oven sprays,
- glass cleaning agents,
- hard, abrasive sponges and brushes, such as pot scrubbers,
- eraser sponges,
- sharp metal scrapers.

We recommend using a clean sponge, lukewarm water with a little liquid dish soap to clean the surfaces of the appliance.

The following pages contain important information on cleaning.

Preparing the appliance for cleaning

- Switch the appliance off.

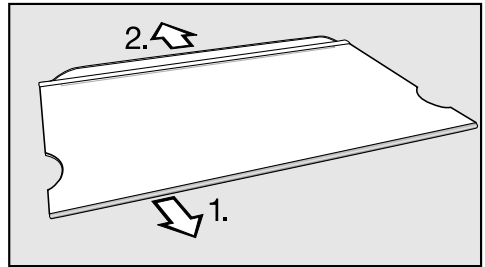
The display goes out and cooling is turned off.

If this does not happen, then the safety lock is still activated (see “Selecting additional settings - Activating/deactivating the lock”).

- Unplug the appliance or trip the circuit breaker.
- Take any food out of the appliance and store it in a cool place.
- Remove the door shelf/bottle shelf from the door.
- Take out all other removable parts for cleaning.

Adjustable shelf

- Place the shelf on a worktop covered with a soft material (e.g., a tea towel).



- Remove the trim:
 1. Pull the stainless steel strip off the shelf beginning at one side.
 2. Then pull the protective strip off.
- After cleaning the shelf reattach the trim to the adjustable shelf.


Cleaning and care

Cleaning the interior and accessories

Clean the appliance at least once a month.

Clean up any spills, stains or food immediately. Do not allow them to dry and stick to the appliance.


- Clean the **interior** with a clean sponge, lukewarm water, and a little liquid dish soap.
- After cleaning, wipe with clean water and dry with a soft cloth.

 The stainless-steel parts on the shelves are not dishwasher safe. Remove the trim before putting the shelves in the dishwasher.

The following parts **cannot be cleaned in a dishwasher**:

- Stainless-steel trim
- Fruit and vegetable drawer
- Clean these accessories by hand.


The following parts **can be cleaned in the dishwasher**:

 The maximum temperature of the dishwasher program selected must not exceed 131°F (55°C).

Contact with natural dyes from carrots, tomatoes, and ketchup, etc. may discolor the plastic parts in the dishwasher. This discoloration does not affect the stability of the parts.

- bottle holder, egg tray
- shelves and bottle shelf in the door
- the adjustable shelves (without the strips or printing)
- the holder for the carbon filter (available as an optional accessory)
- Clean the condensate channel and drain opening frequently using a cotton swab or similar item to ensure that condensate can drain away freely.
- Leave the door open to air the machine sufficiently for a short while and to prevent odor buildup.

Cleaning the door seal

 If the door seal is damaged or has come out of the groove, the door will not close properly and this will affect cooling.

Condensation will form in the inside and this can cause a build-up of ice.

Do not damage the door seal, and make sure that it does not come out of its groove.

Do not use any grease or oil on the door seal as this will cause the seal to deteriorate and become porous over time.


- The door seal should be cleaned regularly with clean water and then wiped thoroughly dry with a cloth.

Cleaning the ventilation grilles

A build-up of dust will increase the energy consumption of the appliance.

- The air vents should be cleaned on a regular basis with a brush or vacuum cleaner (you could use a Miele vacuum cleaner dusting brush, for example).

Cleaning the compressor at the back of the appliance

 When cleaning the compressor, be careful not to tear off, kink, or otherwise damage any wiring or other parts.

Dust the compressor at the back of the appliance at least once a year. A build-up of dust will increase the energy consumption of the appliance.

Starting up the appliance after cleaning

- Replace all shelves and accessories in the appliance.
- Reconnect to the power supply and switch the appliance back on.
- Switch on the automatic SuperCool function for a while so that the refrigerator section can cool down quickly.
- Put the food back in the appliance and close the door.

Cleaning and care

Replacing the carbon filters

The carbon filter with KKF-FF holder (Active AirClean) is available as an optional accessory (see “Guide to the appliance” section “Optional accessories”).

Replace the carbon filters in the holder around every 6 months.

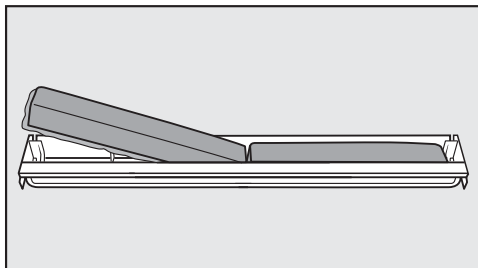
Replacement KKF-RF carbon filters can be obtained from the Miele Technical Service, from your dealer, or from Miele's website.

Tip: The carbon filter holder is dishwasher safe.

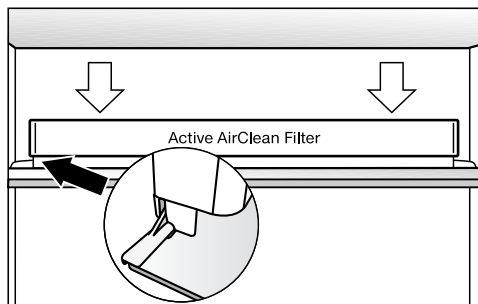
- Pull the carbon filter holder upward to remove it from the adjustable shelf.

When in position, the carbon filters must not touch the back wall of the machine, as the moisture could cause them to stick to it.

Insert the new carbon filters deep enough in the holder to ensure that they do not protrude over the edge of the holder.



- Remove both carbon filters and place the new filters with the surrounding edge pointing downward in the holder.




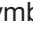
- Place the holder in the middle of the raised edge at the back of any of the adjustable shelves, so that it clicks into position.

Frequently Asked Questions

With the help of the following guide minor faults in the performance of the machine, some of which may result from incorrect operation, can be remedied without contacting the Service Department.

This guide may help you to find the reason for the fault, and how to correct it.

To prevent cold from escaping, open the appliance doors as little as possible until the fault has been corrected.

Problem	Possible cause and solution
The appliance is not getting cold, the interior lighting does not come on when the door is opened, and the display is not lit up.	The appliance is not switched on and the power supply symbol  is lit up in the display. ■ Switch the appliance on.
	The plug is not properly plugged into the electrical outlet. ■ Insert the plug correctly into the socket. The power supply symbol  appears in the display when the appliance is switched off.
	Check whether the fuse has tripped. There could be a fault with the appliance, the household electrical wiring or another electrical appliance. ■ Contact a qualified electrician or Miele Technical Service for assistance.

Frequently Asked Questions



Problem	Possible cause and solution
<p>The compressor is turning on more frequently and for longer periods of time; the temperature in the appliance is too low.</p>	<p>The ventilation grille is obstructed or dusty.</p> <ul style="list-style-type: none"> ■ Do not block the ventilation grille. ■ Clean the ventilation grille on a regular basis to remove any dust. <p>The door has been opened too frequently, or a large amount of food has just been put in at once.</p> <ul style="list-style-type: none"> ■ Only open the door when necessary and for as short a time as possible. <p>After a while, the temperature will return to normal by itself.</p> <p>The ambient temperature is too high. The higher the ambient temperature, the longer the compressor has to run.</p> <ul style="list-style-type: none"> ■ See “installation location” in the “Installation” section. <p>The temperature setting is too low.</p> <ul style="list-style-type: none"> ■ Correct the temperature setting. <p>The Automatic SuperCool function is still turned on.</p> <ul style="list-style-type: none"> ■ To save energy, you can turn off Automatic SuperCool early yourself.
<p>The compressor comes on less and less often and for shorter periods of time. The temperature in the appliance rises.</p>	<p>This is not a fault. The temperature is too high.</p> <ul style="list-style-type: none"> ■ Correct the temperature setting. ■ Check the temperature again after 24 hours.
<p>An alarm is sounding.</p>	<p>The door alarm has been activated (see “Door alarm”).</p> <ul style="list-style-type: none"> ■ Close the appliance door. <p>The alarm will stop.</p>
<p>The door seal is damaged or needs to be replaced.</p>	<p>No tools are required to change the door seal.</p> <ul style="list-style-type: none"> ■ Change the door seal. A replacement is available from Technical Service.

Frequently Asked Questions

Problem	Possible cause and solution
<p>Ice or condensation has built up inside the appliance.</p>	<p>The door seal has come out of its groove.</p> <ul style="list-style-type: none"> ■ Check that the door seal is correctly positioned in the groove.
	<p>The door seal is damaged.</p> <ul style="list-style-type: none"> ■ Check whether the door seal is damaged.
<p>An LED indicator light is flashing at the back of the refrigerator at the bottom near the compressor (depending on model). The electronic unit for the compressor is equipped with an operation and fault diagnosis LED indicator light.</p>	<p>The indicator light flashes several times every 5 seconds. A fault has occurred.</p> <ul style="list-style-type: none"> ■ Contact the Technical Service department.
	<p>The indicator light flashes regularly every 15 seconds. Not a fault. This flashing is normal.</p>



Frequently Asked Questions

Messages in the display

Message	Possible cause and solution
The  symbol lights up in the display, the appliance does not get cold, although the controls and the interior lighting are working.	Demo mode is switched on. This allows the appliance to be presented in the showroom without the cooling system being switched on. Do not activate this setting for domestic use. ■ Contact Miele Technical Service for information on deactivating Demo mode.
“F0 to F9” appears in the display.	There is a fault. ■ Contact Miele Technical Service.
The  symbol lights up in the display. You cannot switch the appliance off.	The safety lock has been activated. ■ Completely deactivate the safety lock (see “Selecting additional settings”, section “Activating and deactivating the safety lock”).

Frequently Asked Questions

The interior lighting is not working.

Problem	Possible cause and solution
The interior lighting is not working.	<p>The appliance has not been switched on.</p> <ul style="list-style-type: none">■ Switch the appliance on.
	<p>To avoid overheating, the lighting turns itself off automatically after approx. 15 minutes if the door is left open. If this is not the case, then there is a fault.</p>
	<div data-bbox="404 432 1042 624" style="border: 1px solid gray; padding: 5px;"><p> Danger of electric shock. There are live electrical components under the lighting cover. The LED lighting may only be repaired or replaced by a Miele authorized service technician.</p></div> <div data-bbox="404 639 1042 922" style="border: 1px solid gray; padding: 5px;"><p> Danger of injury from LED lighting. Light intensity corresponds to laser beam class 1/1M. The lighting covers must not be removed or damaged, or be removed due to damage. This could cause injury to your eyes. Do not look into the LED lighting (laser beam class 1/1M) with optical instruments (e.g. magnifying glass or similar).</p></div> <ul style="list-style-type: none">■ Contact Miele Technical Service.

Frequently Asked Questions

Other problems

Problem	Possible cause and solution
The floor of the refrigerator section is wet.	The drain hole is blocked. ■ Clean the condensate channel and the drain hole.
The external walls of the appliance feel warm.	This is not a fault. The warmth created by the evaporator is used to prevent condensation.

Causes of noises

Normal noises	Cause
Brrrrr...	A humming noise is made by the motor (compressor). This noise can get louder for brief periods when the motor switches on.
Blub, blub...	A gurgling noise can be heard when the coolant circulates through the pipes.
Click...	Clicking sounds occur whenever the thermostat switches the motor on or off.
Crack...	A cracking sound can be heard when materials expand inside the appliance.
Please bear in mind that a certain amount of noise is unavoidable (from the compressor and the coolant circulating through the system).	

Noises	Possible cause and solution
Rattling, clinking	The appliance is uneven. Realign the appliance using a spirit level, by raising or lowering the screw feet underneath the appliance or place something underneath it.
	The appliance is touching another appliance or piece of furniture. Move it away.
	Drawers, baskets or shelves are unstable or sticking. Check all removable items and refit them correctly.
	Bottles or containers are touching each other. Separate them.
	The transport cable clips are hanging loose at the back of the appliance. Remove the cable clips.

Technical Service

Contact in case of fault

In the event of a fault which you cannot remedy yourself, please contact your Miele dealer or Miele Technical Service.


Contact information for Miele Technical Service can be found at the end of this document.

Please quote the model and serial number of your appliance when contacting Miele. Both pieces of information can be found on the data plate.

You will find the data plate inside your appliance.

Warranty

For more information about warranty conditions, please contact Miele Technical Service.

 **Danger of electric shock!**

The appliance must only be switched on when it has been installed in accordance with the installation instructions.

Ground the appliance.


The appliance must not be grounded via a gas pipe.

If in doubt, have a suitably qualified and experienced electrician check that the installation complies with relevant regulations.

Do not install a fuse into neutral current or grounding electrical circuit.

Do not use extension cords or ungrounded (two prong) adapters.

Do not use a frayed or damaged power cord.

 **Danger of electric shock!**

For protection against electric shock this appliance is equipped with a pole-free plug which is protected against reverse polarity. The plug must be grounded in the usual way.

Do not remove the round grounding connector pin from the plug.

Use only a grounded plug adapter.

Wait for 1 hour after installation before plugging the appliance into the power supply. This allows coolant and refrigerator oil to settle in accordance with regulations.

Ensure that the voltage of the main power supply corresponds with the connection voltage of the appliance. A power supply of 110 - 120 V, 60 Hz and 15 Amp (20 Amp for side-by-side installation) with a NEMA 5-15 molded plug, which is protected by a main switch or a fuse, is required to operate the appliance.

The manufacturer recommends operating the appliance on a separate circuit to avoid overloading the electrical circuit.

All relevant legal electrical, fire and building regulations must be observed when installing the socket and/or the appliance.

In certain countries appliances are required to be connected to the electrical supply via a wall-mounted ON/OFF switch.

To avoid the risk of fire, electric shock or other injuries installation and connection of the appliance must be carried out by a suitably qualified electrician in accordance with all relevant local and national regulations and standards, including fire prevention.

Electrical connection

The outlet must be easily accessible in an emergency so that the appliance can be quickly disconnected from the electrical supply in case of an emergency.

The socket must be located so that the upper edge is a maximum 82" (2100 mm) distance from the upper edge of the base of the kitchen cabinet.

If the outlet is no longer accessible once the appliance has been installed, an all-pole disconnect device with a contact opening of at least 1/8" (3 mm) must be present on site. The disconnect device may be circuit breaker, a fuse, or a contactor (compliant with local regulations).

The plug and power cord must not come into contact with the back of the appliance as vibrations can cause damage to these components. This, in turn, could result in a short circuit.

Do not plug in other devices behind this appliance.


Do not connect the appliance to an inverter such as those used with an autonomous energy source e.g. **solar power**. When switched on, peak loads in the system can cause the safety switch-off mechanism to be triggered. This can damage the electronic unit. The appliance must not be used with so-called **energy-saving devices** either. These reduce the amount of energy supplied to the appliance, causing it to overheat.

If the power cord needs to be replaced, this must be done by a qualified technician.


Side-by-side

The appliance has two side-wall heaters encased in foam and can be installed side-by-side with other appliances. Each appliance must be installed in its own niche.

Please contact your dealer for specific information about which combinations will work with your appliance.

 **WARNING!** This appliance must be built in, otherwise it could tip over!

Install the appliance in accordance with the installation instructions.

 **Fire hazard and risk of damage!** The appliance must not be installed underneath a cooktop.

Installation location


This appliance should be installed in a dry, well-ventilated room.

When deciding where to install your appliance, please bear in mind that the energy consumption will increase if installed near to a heater, a cooker, or other appliance that gives off heat. Direct sunlight should also be avoided. The higher the room temperature, the longer the compressor has to run and the higher the energy consumption is.

When installing the appliance, please note:

- The electrical socket must be easily accessible in an emergency and not concealed behind the appliance.

- The plug and power cord must not touch the back of the appliance as they could be damaged by vibrations from the appliance.
- Do not plug other appliances into electrical sockets behind this appliance.

 **Risk of damage. In environments with high humidity,** condensation may appear on the external surfaces of the appliance.

This condensate can cause corrosion on external appliance panels.

To prevent this, it is advisable to install the appliance with sufficient ventilation in a dry and/or air-conditioned room.

After installation, make sure that the appliance door closes properly, the air vents are not covered and that the appliance has been installed in accordance with these installation instructions.

Installation


Climate class

The appliance is designed for use within a certain climate range (ambient temperatures) and should not be used outside this range. The climate range of the appliance is stated on the data plate inside the appliance.

Climate class	Room temperature
SN	50°F to 90°F / 10°C to 32°C
N	60°F to 90°F / 16°C to 32°C
ST	60°F to 100°F / 16°C to 38°C
T	60°F to 109°F / 16°C to 43°C

Operating in a room which is too cold will cause the compressor to turn off for too long, causing the internal temperature in the appliance to rise, resulting in damage.

Ventilation

 Noncompliance with the specified dimensions for the ventilation grille will cause the compressor to turn on more often and run for longer periods.

This causes increased energy consumption and an increased compressor operating temperature, which can result in damage to the compressor.

It is essential to comply with the ventilation grille dimensions (see “Installation dimensions”).


The appliance is ventilated through a ventilation grille in its toe-kick.

The ventilation grille must never be obstructed. They must also be cleaned on a regular basis to remove dust.

Door panel

The required door panel must be min. 5/8" (16 mm) and max. 3/4" (19 mm) thick.

Weight of the door panel

 If the door panel is too heavy, this can cause damage!

Installing a door panel which is heavier than the maximum permitted weight could damage the hinges. This can cause subsequent functional problems.

Before installing the door panel, ensure that the weight of the door does not exceed the maximum permitted:

Appliance	Maximum weight of door panel
K 31222 Ui	22 lb (10 kg)

Calculation of cabinet door size

The **width of the cabinet door** depends on the style of the kitchen and the gap between the unit door panels.

When calculating the **height of the cabinet door**, remember that the top edge of the door must be at the same height as that of the doors of the adjacent units.

The following gaps are required:

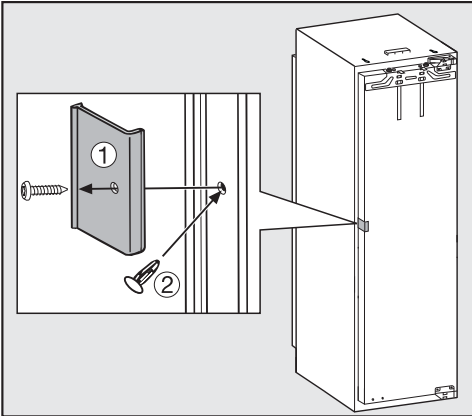
- The horizontal gap between the cabinet door and the cupboard door above it must be at least 1/8" (3 mm).
- The vertical gap between the cabinet doors should be approx. 1/8" (3 mm). The exact value will depend on the radius of the edge of the cabinet door.

The cabinet door must be fitted correctly and not under tension.

Installation

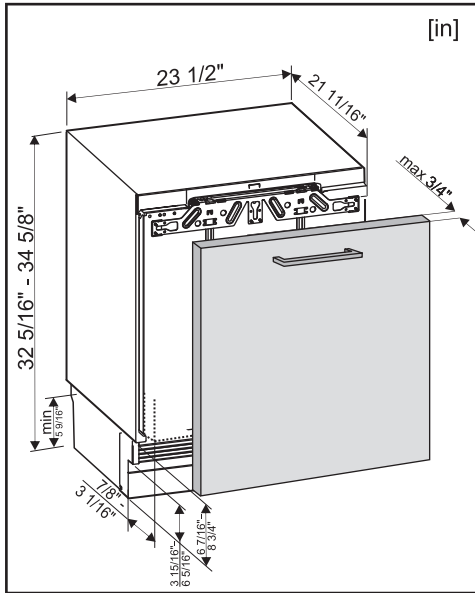
Before installing the appliance

- Before installation, remove the bag of installation accessories and other accessories from the appliance.
- Remove the cord clips from the back of the appliance.

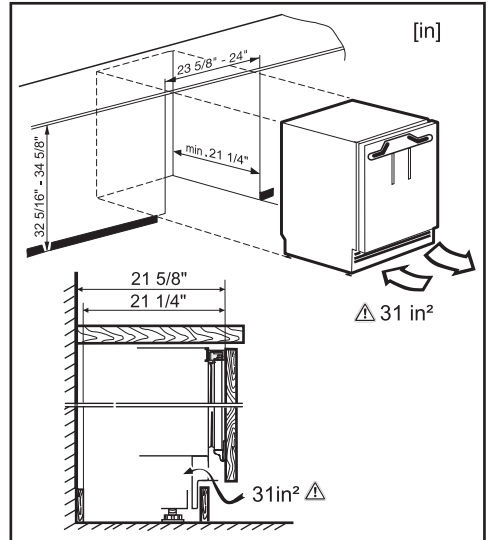


- Remove red transport safety device ① (depending on model) and use the stopper supplied to cover the hole ②.

Installation dimensions



Appliance dimensions



Dimensions for ventilation

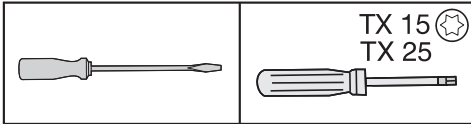
* The declared energy consumption was achieved with a niche depth of 22 1/16" (560 mm). The appliance is fully capable of functioning at a niche depth of 21 5/8" (550 mm), but will consume slightly more energy.

If the appliance is suitable for installation in a niche, ensure before installation that it has precisely the correct dimensions. The specified ventilation grille dimensions must be complied with to ensure that the appliance functions correctly.

Changing the door hinges

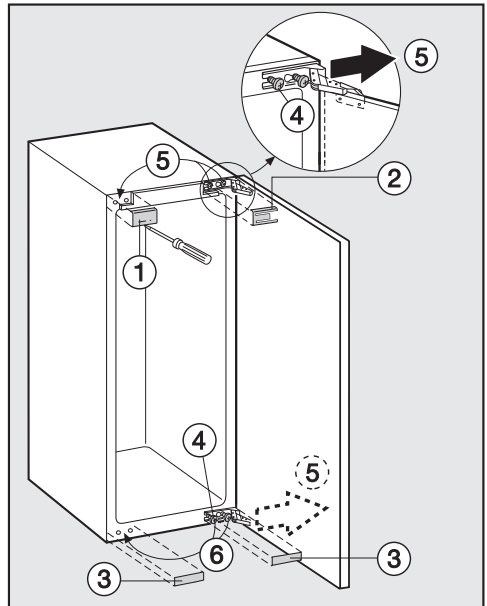
Before building the appliance in, you will need to decide on which side the door is to be hinged. If left-hand hinging is required, the hinges must be changed.

To change the door hinging, you will need the following tools:



Appliance door

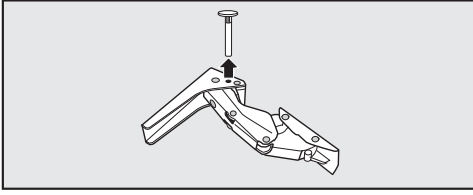
- Open the appliance door.



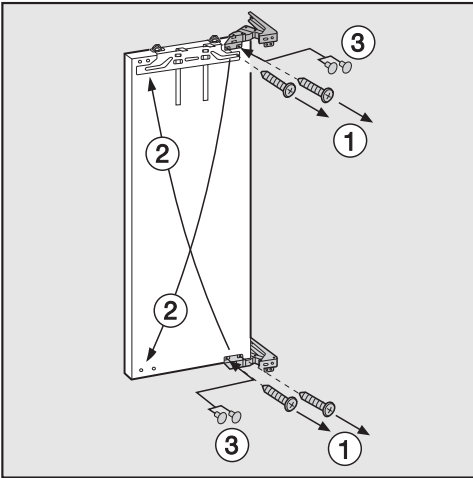
- Remove covers ①, ②, and ③ with a slotted screwdriver.
- Loosen fixing screws ④ slightly.
- Push the appliance door outwards, take it off its hinges ⑤ and place it to one side.
- Completely remove the fixing screws ④ and loosely screw them in the opposite side at the top ⑤ and the bottom ⑥.
Use a power screwdriver to secure the hinges. The screws are self-tapping.

If you have inserted pins into the hinges to limit the door's opening angle:


Changing the door hinges



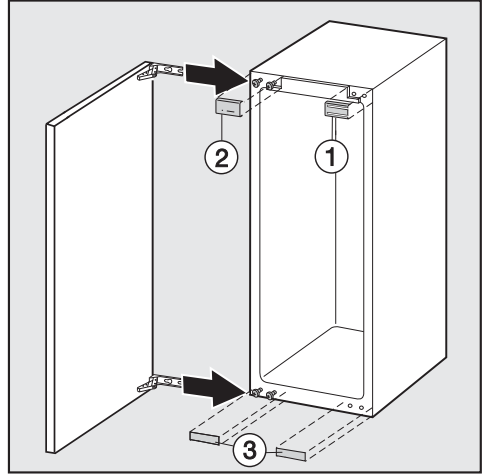
- Remove the locking pins from the top of the hinges.



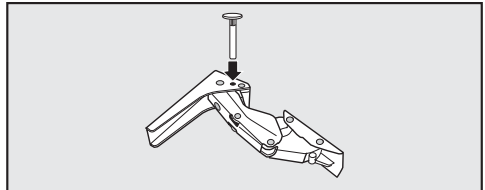
- Remove screws ① and plug the empty holes with the stoppers supplied ③.

 **Danger of injury!**
Do **not** close the hinges.

- Replace the hinges in their diagonally opposite corners ②.
Use a power screwdriver to secure the hinges. The screws ① are self-tapping.



- Hang appliance door onto pre-fitted screws and tighten the screws securely.
- Replace covers ①, ②, and ③.



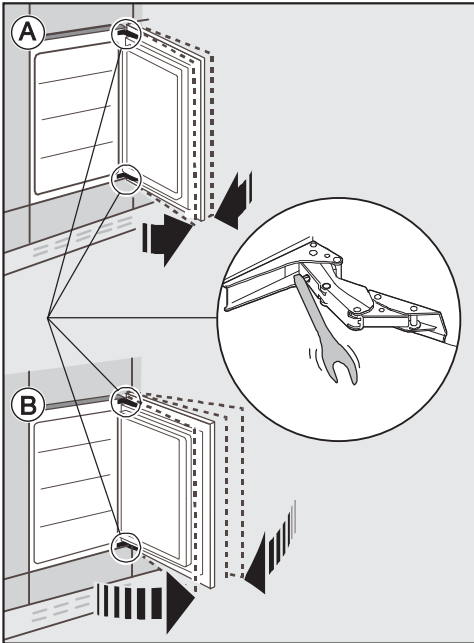
- If required, refit the locking pins into the top of the hinges to prevent the doors opening too far.

Adjusting the door hinge

Adjusting the door hinges

If you would like the appliance door to be cushioned so that it opens more softly, the spring tension on the appliance door can be adjusted.

To do this, use an Allen key to adjust the door hinges.



A To reduce the opening angle:

- Turn the Allen key clockwise.

This tightens the hinges and makes it harder to open the door wide.

B To open the door fully:

- Turn the Allen key counterclockwise.

The hinge is looser, making it easier to open the door.

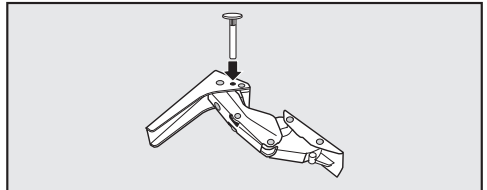
Limiting the opening angle of the appliance door

The door hinges are set to enable the appliance door to be opened wide.

However, if the opening angle of the door needs to be limited for any reason, the hinge can be adjusted to accommodate this.

If, for example, the appliance door hits an adjacent wall when it is opened, you should limit the opening angle of the appliance door to 90°.

The locking pins for limiting the door opening must be fitted before the appliance is installed.







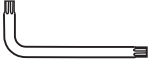






- Insert the locking pins supplied for limiting the door opening into the hinges from above.

The door opening angle is now limited to approx. 90°.

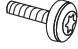
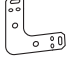
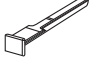

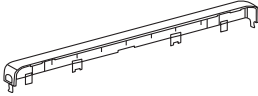
Building in the appliance

To install the appliance, you will need the following tools:

TX 15, TX 20 			13
TX 15 			6
8			
			
			

Parts required for installation:

All installation parts are number-coded. This coding is also used in the installation instructions.

			16x	2x	2x
					
1x	1x				

Preparing the appliance

- Position the appliance directly in front of the niche.
- Take hold of the toe-kick from the side and pull it forward and off.

You can choose to secure your appliance in one of two different ways:

1. Secured at the top

This method is suitable for securing the appliance underneath a plastic countertop, e.g., laminate). The countertop must be suitable for screwing a bracket to.

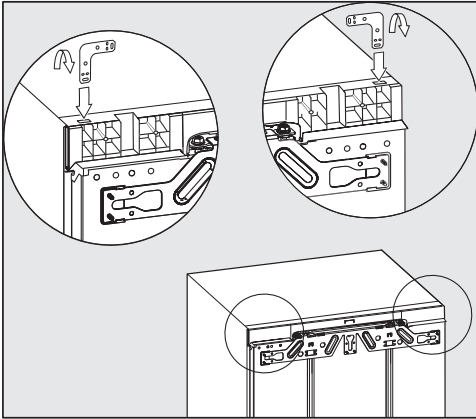
With the appliance feet fully extended, the appliance should fit fairly tightly between the floor and the countertop.

2. Secured at the side

This method is suitable for securing the appliance underneath a solid countertop, e.g., granite). The cabinet side walls to the right and left of the appliance must be suitable for screwing brackets to.

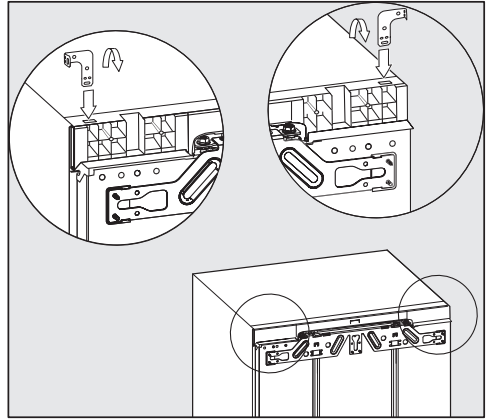
With the appliance feet fully extended, the appliance should sit lower than the countertop.

Building in the appliance



1. Secured at the top

- Install the bracket in the aperture in the top of the appliance.
- Bend the bracket at the perforated position.





2. Secured at the side


Both ends of the bracket must be bent.

- Install the bracket in the aperture in the top of the appliance.
- Bend the bracket at the perforated position.
- Remove the bracket from the aperture and insert the straight end of the bracket.
- Now bend this end of the bracket at the perforated position.

Positioning the appliance

 Take care not to trap the power cord when pushing the appliance into its niche.

 To prevent damage to the floor, take care when moving the appliance on floors that are sensitive to scratching.

 The appliance feet can break off. The feet should be almost fully screwed in when you push the appliance into the niche.

Tip: Before pushing the appliance into the niche, loosen the two rear feet by half a turn. After pushing the appliance into the niche, the feet will be easier to adjust from the front (see “Aligning the appliance”).

- Lay the power cord so that the appliance can be connected easily once installed.

Tip: Tie a piece of string to the plug to “lengthen” the power cord; this will help you to push the appliance into position. Then pull the power cord through the cabinet by the other end of the string.

If the appliance is pushed too far into the niche, the doors may not close properly once the door panels have been installed. This can cause ice to build up, condensate to accumulate, and cause the appliance to malfunction. These can all lead to increased energy consumption.

Push the appliance into the building-in niche making sure a gap of **1 5/8” (42 mm)** is maintained all round between the appliance casing and the front of the cabinet side walls.

- Push the appliance into the niche until the front edges of the hinges at the top and bottom are flush with the front edge of the cabinet unit side wall.

This ensures a distance of **1 5/8” (42 mm)** to the front edges of the cabinet side walls all the way round.

Building in the appliance

On **cabinetry with door fittings (e.g., knobs, raised seals)** the dimension of these must be taken into account to ensure that there is a gap of **1 5/8" (42 mm)** all round.

- Pull the appliance forward by the appropriate dimension.
- Check again to make sure there is a gap of **1 5/8" (42 mm)** to the front edges of the door fittings all round.

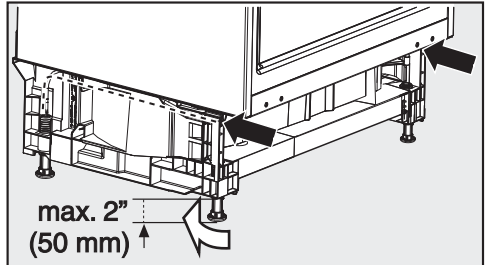
Tip: If possible, remove the door fittings and push the appliance into the niche until all fixing brackets at the top and bottom are touching the front edge of the cabinet unit side wall.

Aligning the appliance

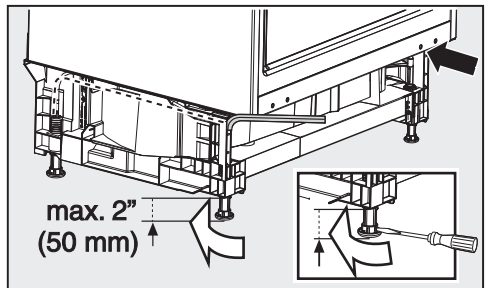
When securing the appliance in the niche at the top, the appliance should fit fairly tightly between the floor and the countertop.

- Adjust the front and rear feet in turn to fit the height of the niche and make sure the appliance is correctly aligned.

Proceed as follows:




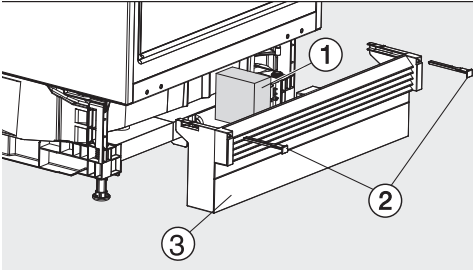
- Adjust both rear feet with the corresponding screws at the front right and left of the appliance toe-kick. Use a slotted screwdriver to do this.



- Use an Allen key to unscrew both front feet.

Tip: As soon as the feet have been unscrewed slightly, you can adjust them with a screwdriver at the bottom of the foot (see small illustration).

 The foam ① ensures the airflow is separated to prevent malfunctioning of the appliance.



- Insert the piece of foam ① supplied.
- Reinstall the toe-kick facing ③, but do not secure it in position yet.

Without a continuous toe-kick facing:

- Pull the toe-kick facing ③ and forward until the ventilation slats are in alignment with the adjacent cabinet toe-kick facings.
- Hold the toe-kick facing securely and screw it into place on the right and left using the bolts supplied ②.

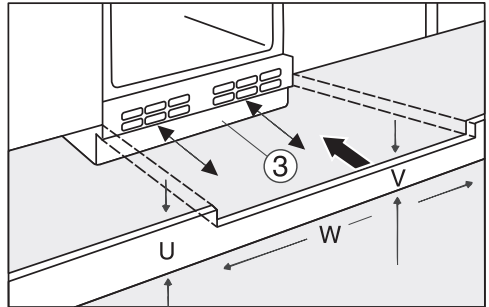
With a continuous toe-kick facing:

- Push the toe-kick facing ③ right up against the appliance and screw it into place on the right and left using the bolts ②.

Installing a continuous toe-kick facing

The appliance is ventilated through a ventilation grille in its toe-kick. The ventilation grille must never be obstructed.

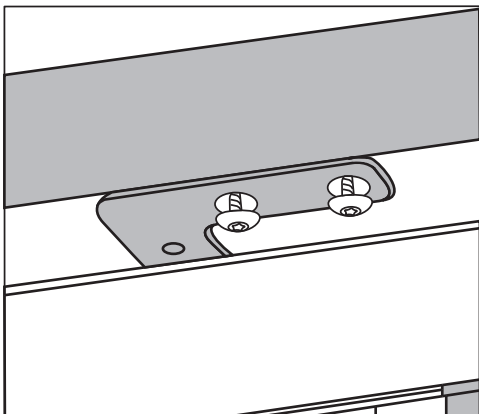
If a continuous toe-kick facing is to be installed, a suitable ventilation gap will need to be cut into it for the appliance's ventilation grille.



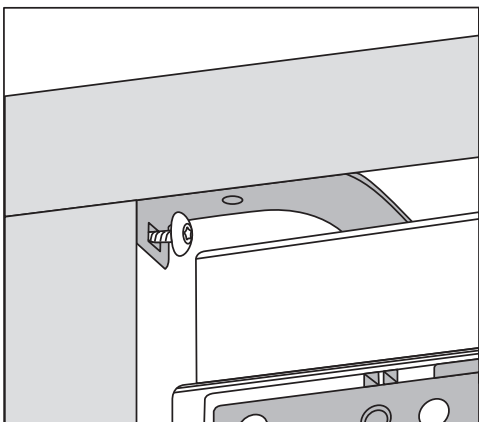
- Trim the toe-kick facing (U) to the correct height.
- Adjust the height (V) along the niche width (W) underneath the appliance toe-kick facing ③.

Building in the appliance

Securing the appliance in the niche



1. Secured at the top

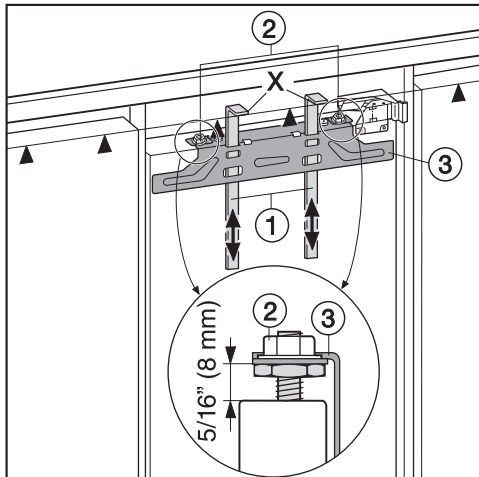


2. Secured at the side

- Screw the appliance into position on the right and the left.

Fitting the cabinet door

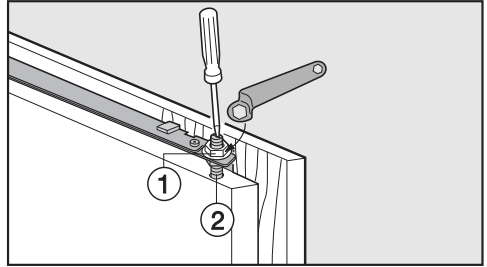
Ensure that the toe-kick facing is re-fitted correctly.



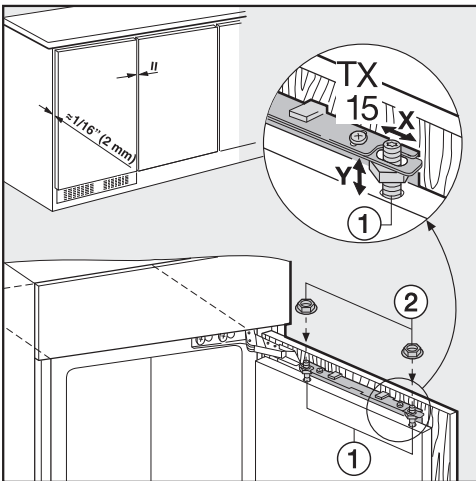
- A gap of 5/16" (8 mm) must be set between the appliance door and the fixing bracket.
- Push the installation aids ① to the height of the cabinet door: the lower contact edge X of the installation aids must be at the same height as the upper edge of the cabinet door to be fitted (▲ symbol).
- Unscrew nuts ② and remove mounting frame ③ together with installation aids.
- Draw a faint central line with a pencil on the inside of the cabinet door.
- Hang mounting frame with the installation aids ① on the **inside** of the cabinet door. Align the fixing bracket centrally.

Building in the appliance

- Attach the fixing bracket securely using at least 6 short chipboard screws ② 3/16" x 9/16" (4 x 14 mm). (On raised paneled doors only use 4 screws on the edges).
- Pull the fitting aids upwards to remove them ③.
- Turn them around and fit them into the middle slots on fixing bracket ④ for safe keeping.

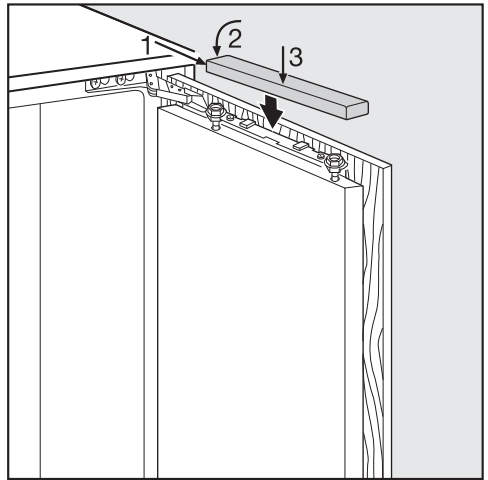
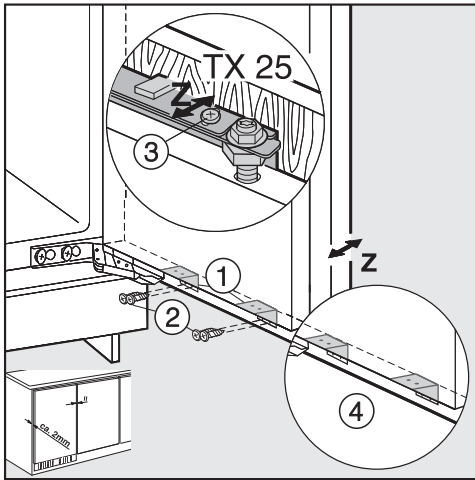


- Whilst counterholding adjusting bolts ② with a screwdriver, tighten nuts ① on the appliance door at the top with a screwdriver.



- Hang the cabinet door on adjusting bolts ①.
- Screw nuts ② loosely onto the adjusting bolts.
- Close the door and check the distance between the door and adjacent cabinet doors.
- Align to match adjacent doors if necessary:
Side adjustments X are made by sliding the cabinet door, and height adjustments Y by turning adjusting bolts ① with a screwdriver.

Building in the appliance



- Attach the appliance door and the cabinet door using screws through fixing brackets ①:

- Drill holes in the cabinet door (mark the position of the holes first).
- Screw in the short chipboard screws ② $3/16'' \times 9/16''$ (4 x 14 mm).

- Align the cabinet door along the depth plane Z: loosen the screws in the long slots at the top of the appliance door ③ as well as under the appliance door ④. By moving the cabinet door, create a gap of $1/16''$ (2 mm) between the cabinet door and the front edge of the niche. Align according to the adjacent cabinet doors.

- Close the door, check it is fastened correctly, and align it with adjacent cabinet doors.

- Tighten all the screws again.

- Fit the cover in position.

The appliance is properly installed in the niche if:

- the door closes properly
- the door does not touch the housing unit
- the seal on the top corner of the handle side is firmly seated
- To double check place a torch in the appliance and close the door. Turn the lights out in the room. If you can see any light shining out from the sides, double check the individual installation steps.

**Please have the model and serial number
of your appliance available when
contacting Technical Service.**

The Miele logo consists of the word "Miele" in a bold, white, serif font, set against a solid black rectangular background.

U.S.A.

Miele, Inc.

National Headquarters

9 Independence Way
Princeton, NJ 08540
Phone: 800-843-7231
Fax: 609-419-4298
www.mieleusa.com

Technical Service & Support

Phone: 800-999-1360
Fax: 888-586-8056
TechnicalService@mieleusa.com

International Headquarters

Miele & Cie. KG
Carl-Miele-Straße 29
33332 Gütersloh
Germany

Canada

**Importer
Miele Limited**

Headquarters and Miele Centre

161 Four Valley Drive
Vaughan, ON L4K 4V8
www.miele.ca

Customer Care Centre

Phone: 800-565-6435
905-532-2272
customercare@miele.ca

K 31222 Ui

en-US

M.-Nr. 10 865 900 / 01