

PerfectCool Freezer
FNS 37492 iE



PerfectCool Freezer

FNS 37492 iE



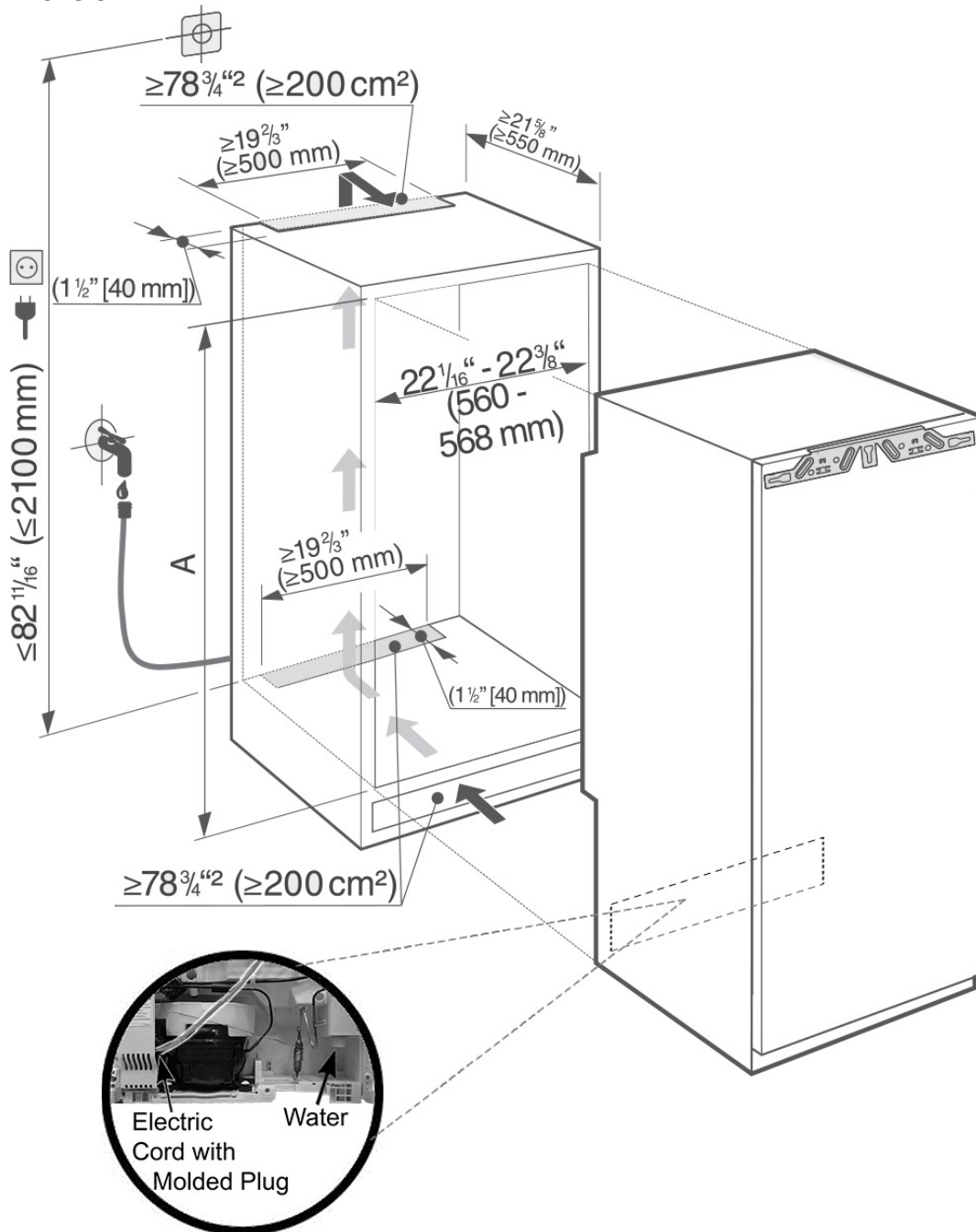
Features:

- NEW: Miele PerfectCool Series
- Perfect Fresh
- Soft Close Hinges
- Easy Sensor Controls
- Plumbed IceMaker
- Sabbath Mode
- Side by Side unit with KS 37472 iD
- Single temperature zone
- NoFrost

SPECIFICATIONS

FNS 37492 iE — Item 37374921USA	- Left Hinged (convertable)
Overall Unit Width	22" (559 mm)
Overall Unit Height	69 ¹¹ / ₁₆ " (1770 mm)
Overall Unit Depth	21 ¹ / ₂ " (545 mm)
Niche	
Minimum Cabinet Opening Width	22 ¹ / ₁₆ " (560 mm)
Minimum Cabinet Opening Height	69 ³ / ₄ " (1772 mm)
Minimum Cabinet Opening Depth	21 ⁵ / ₈ " (550 mm)
Plumbing	
Water Supply Requirements	Connect to a cold water supply only. Must be connected to a shut-off valve. The water shut-off valve must be accessible after installation. The water pressure must be between 22 psi (1.5 bar) and may not exceed 87 psi (6 bar). If the pressure is higher than 87 psi (6 bar), a pressure reducing valve must be installed.
Water Connection Line	Unit comes with a male 3/4" BPT connection on back of unit. The connection parts included with the appliance permit the connection of various water lines (including 1/4" compression fitting). Water line is not included.
Electrical	
Electrical Requirements - Volts/Amps	110V / 120V, 60Hz, 15A (single) 110V / 120V, 60Hz, 20A (2 Individual units installed side-by-side, using a Duplex outlet)
Power Cord - Plug and length	Yes - NEMA 5-15 plug, 6' 6" (2 m)
Custom Panel	Refer to manual for further detail
Maximum Panel Weight	50.7 lbs (23 kg)
Maximum Panel Thickness	3/4" (19 mm)
Minimum Panel Thickness	5/8" (16 mm)
Shipping	
Shipping Weight	175.5 lbs (79 kg)
Shipping Dimensions	24 ¹ / ₂ " W x 72" H x 22 ¹ / ₂ " D
Support	
Call Miele	800.843.7231
Miele Website	www.mieleusa.com
20/20 Link	2020technologies.com

Installation Dimension

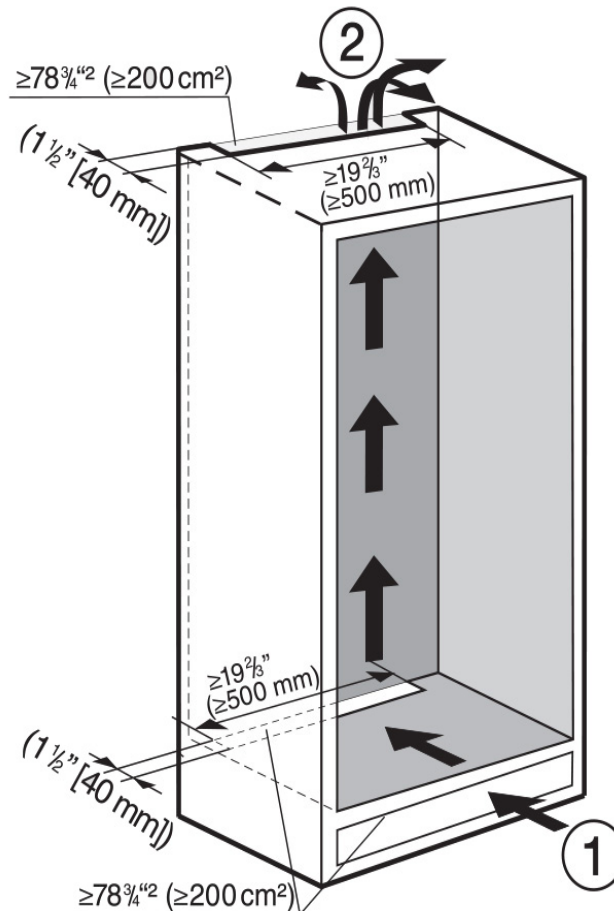


	Niche height A
FNS 37492 iE	69 3/4" - 70 3/8" (1772 - 1788 mm)

Before installation, ensure the building-in niche is the correct size. The specified ventilation cross-sections must be adhered to in order to ensure the correct functioning of the appliance.

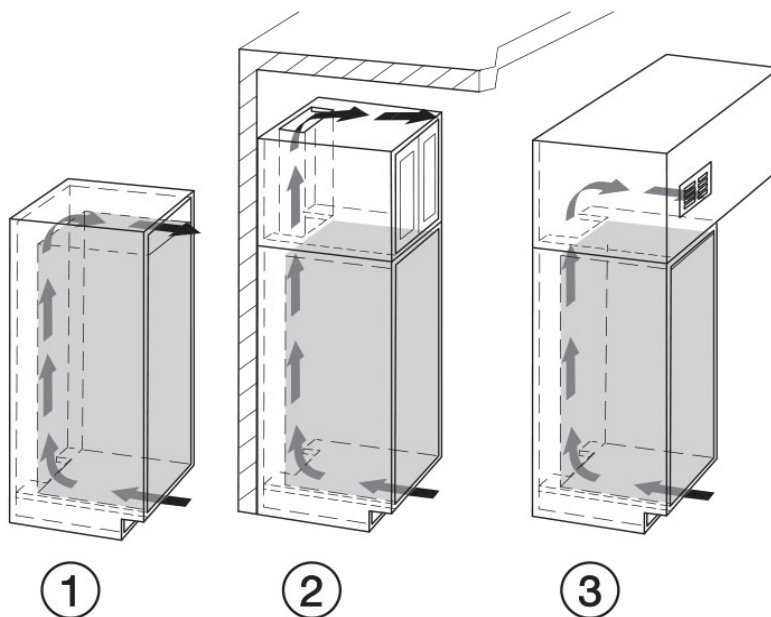
For additional information on Plumbing, please refer to the Plumbing section in the Install Manual.

Ventilation Dimension



- Air intake (1) occurs via the plinth at the bottom of the appliance and the air escapes at the top (2) at the rear of the housing unit.
- A ventilation gap of at least 1 5/8" (40 mm) depth must be provided behind the appliance for air to circulate.
- The ventilation cross-sections in the plinth housing unit and above the appliance must amount to at least 78 3/4"² to ensure that air can circulate without obstruction.
- Please refer to the manual for further ventilation details.

Top Ventilation Cross-section



(1) Directly above the appliance with a ventilation grill (free airflow of at least 78 3/4"²).

(2) In between the housing unit and ceiling.

(3) Through a suspended ceiling.

- Please refer to manual for further ventilation details.

Custom Panel

SPECIFICATIONS	
Custom Panel	Refer to manual for further detail
Maximum Panel Weight	50.7 lbs (23 kg)
Maximum Panel Thickness	$\frac{3}{4}$ " (19 mm)
Minimum Panel Thickness	$\frac{5}{8}$ " (16 mm)
Inset Panel	
Minimum Vertical Gap - Between Cabinet and Door Panel	$\frac{1}{8}$ " (3 mm)
Minimum Horizontal Gap - Between Cabinet and Top of Door Panel, Between Door Panels	$\frac{1}{8}$ " (3 mm)

Framed Cabinet with Inset Door Panel Calculation

$$\text{Panel Width} = \text{Niche Opening Width} - \frac{1}{4}" (6 \text{ mm})$$

$$\text{Panel Height} = \text{Niche Opening Height} - \frac{1}{4}" (6 \text{ mm})$$

Frameless Style Cabinet Panel Calculation

$$\text{Panel Width} = \text{Niche Opening Width} + \text{Left Side Panel Thickness} + \text{Right Side Panel Thickness}$$

$$\text{Panel Height} = \text{Niche Opening Height} + \text{Top Panel Thickness} + \text{Bottom Panel Thickness}$$