

# 30" Electric Range

## Model: HR 1421 E



### HR 1421 E (208 / 240V)

#### Features:

- DirectSelect controls
- EasyClean Ceran® surface with 4 cooking zones, 3 variable
- 7 Operating modes including Self-Clean
- TwinPower Convection fans
- Soft Open and Soft Close
- Clean Touch Steel™ front

#### SPECIFICATIONS

HR 1421 E (208V) — Item 25142150USA

HR 1421 E (240V) — Item 25142151USA

Overall Unit Width	30" (762mm)
Overall Height	35½" — 37" (901.7 — 939.8mm)
Overall Unit Depth to front of control panel	26½" (673mm)
Oven Door Clearance	22¾" (577mm)

#### Niche

Minimum Cabinet Niche Width	30⅛" + ⅛" (763.5 — 765.1mm)
Minimum Cabinet Opening Height	35½" (901.7mm)

#### Cooking Zones

Cooking Zones	1) 5⅛" diameter, 1200W (1) 4¾-7" diameter, 1100-2400W (1) 5⅛-8¼" diameter, 700-1800W (1) 8¼-10⅝" diameter, 2300-3100W
---------------	--

#### Electrical

Electrical Requirements	208/240V, 60Hz, 50 Amps
Power Cord	Yes - NEMA 14-50 plug
Electrical Rating	120/208V, 30A, 60Hz 5800W / 120/240V, 30A, 60Hz 4400W

#### Shipping

Shipping Weight	324.7 lbs (147.3kg)
-----------------	---------------------

#### Support

Call	800.843.7231
20/20	©2020technologies.com

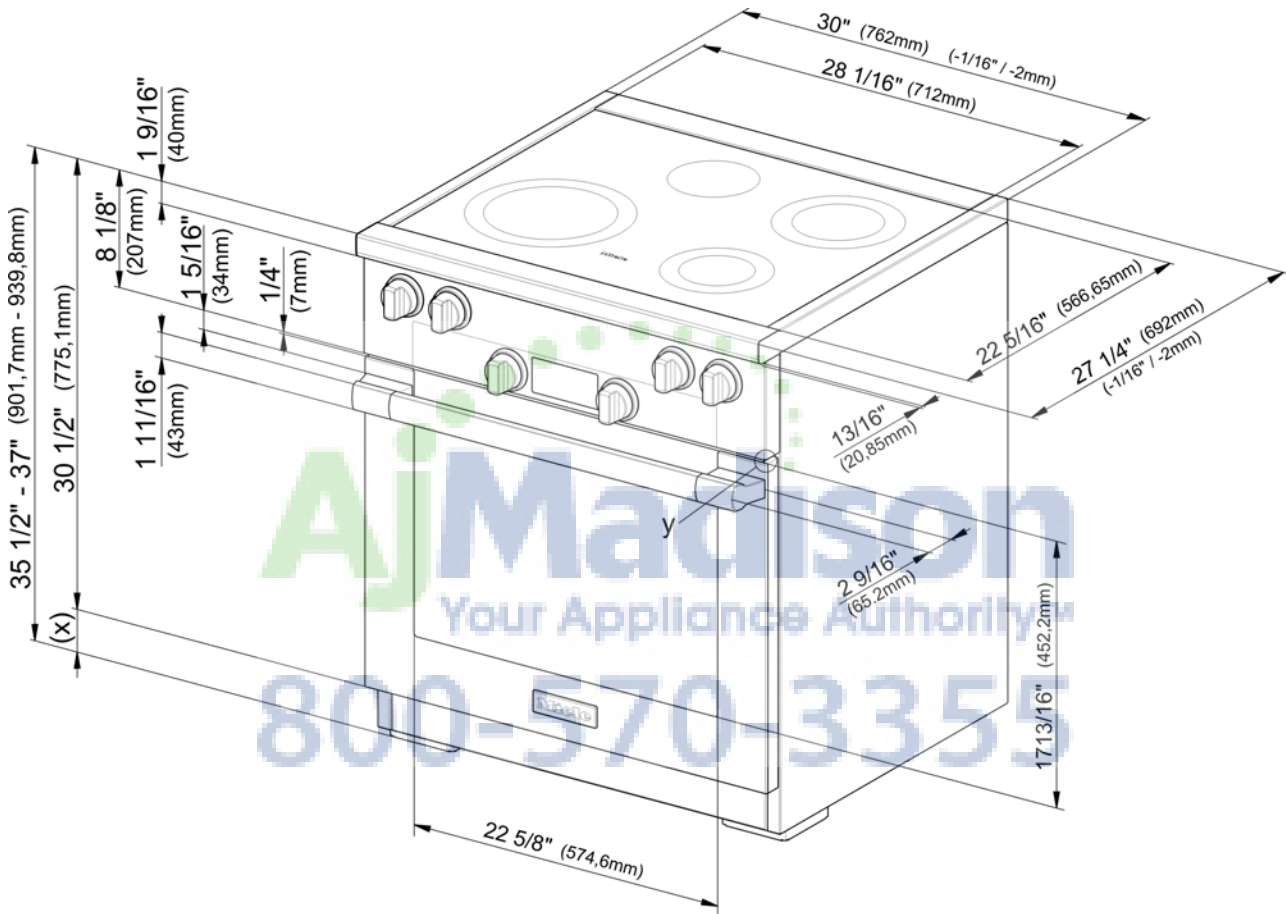
# 30" Electric Range

## Model: HR 1421 E



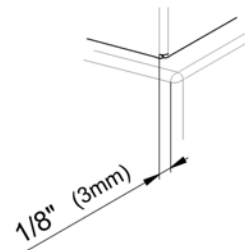
### PRODUCT VIEWS

Isometric



(x) = Toe-kick height adjustment 4" - 5 1/2" (101,6mm - 139,7mm)

Detail y:

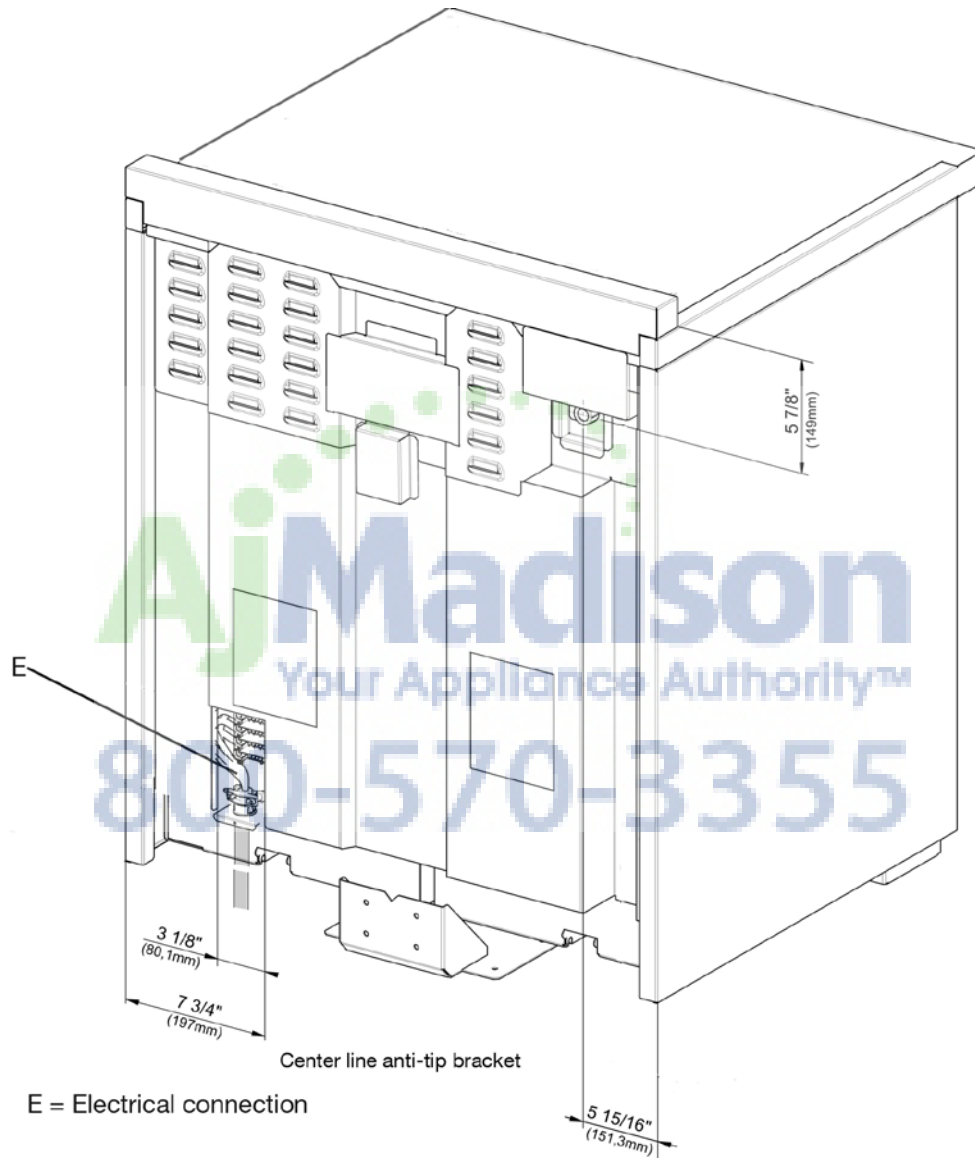


30" Electric Range  
Model: HR 1421 E



PRODUCT VIEWS

Rear View

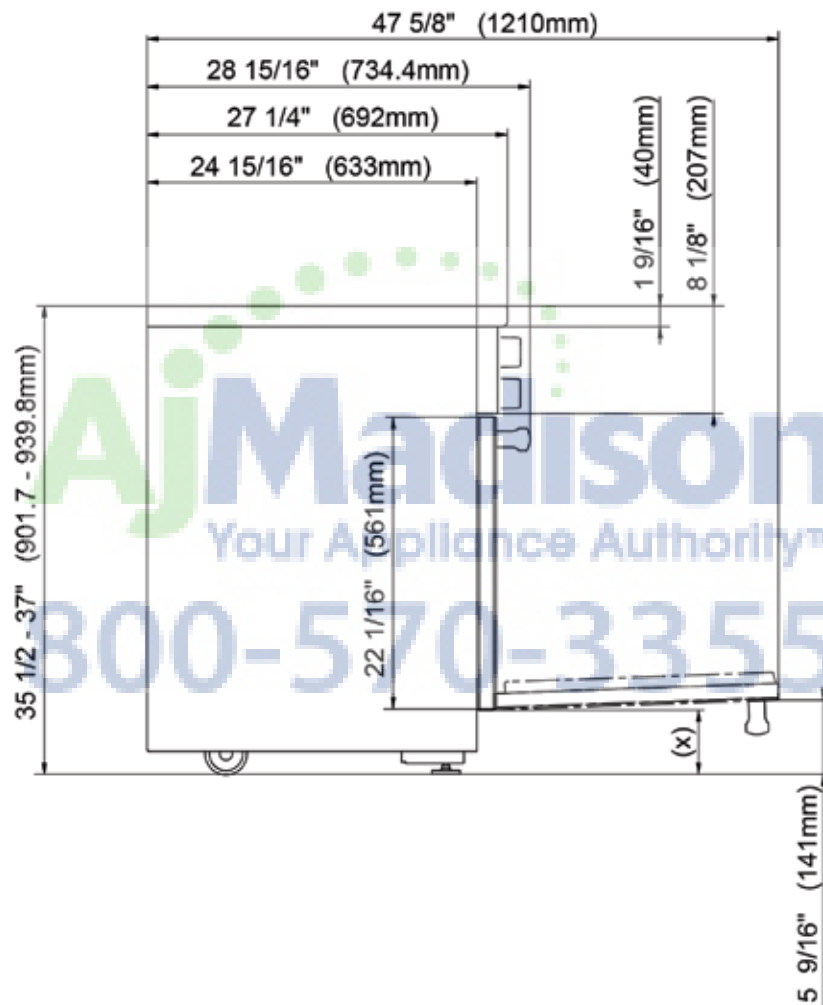


# 30" Electric Range Model: HR 1421 E



## PRODUCT VIEWS

### Detailed Side View



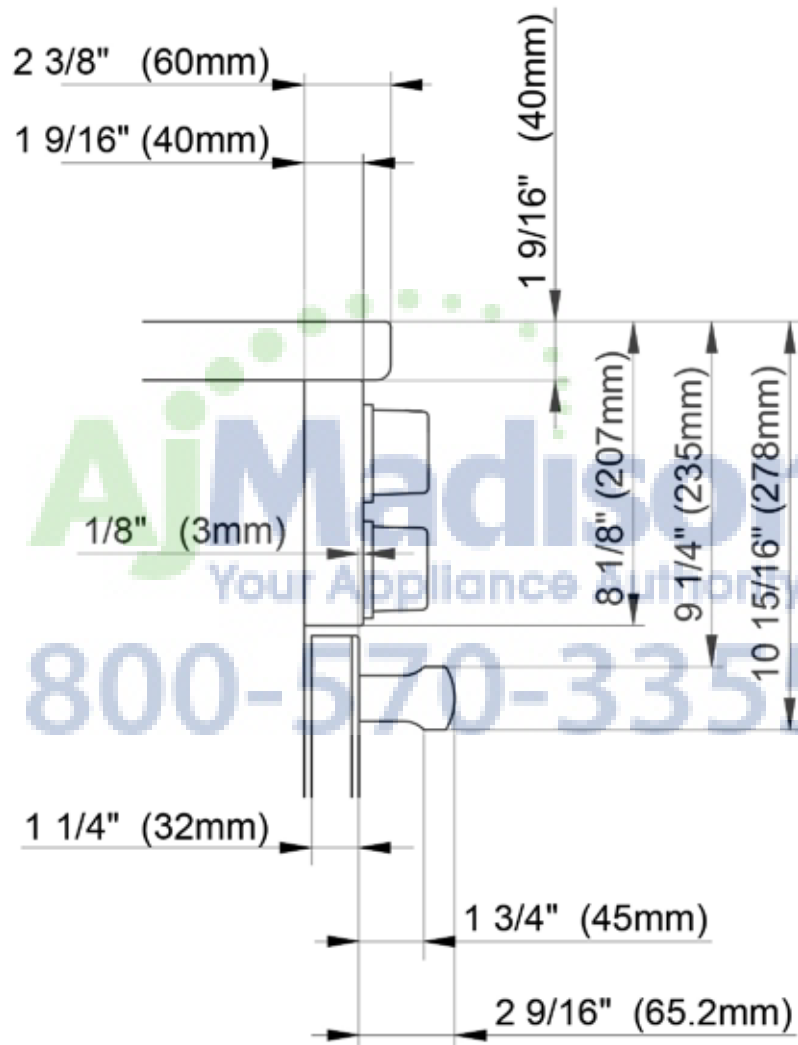
(x) = Depending on the appliance height adjustment: 4" - 5 1/2" (101.6 mm - 139.7 mm)

30" Electric Range  
Model: HR 1421 E



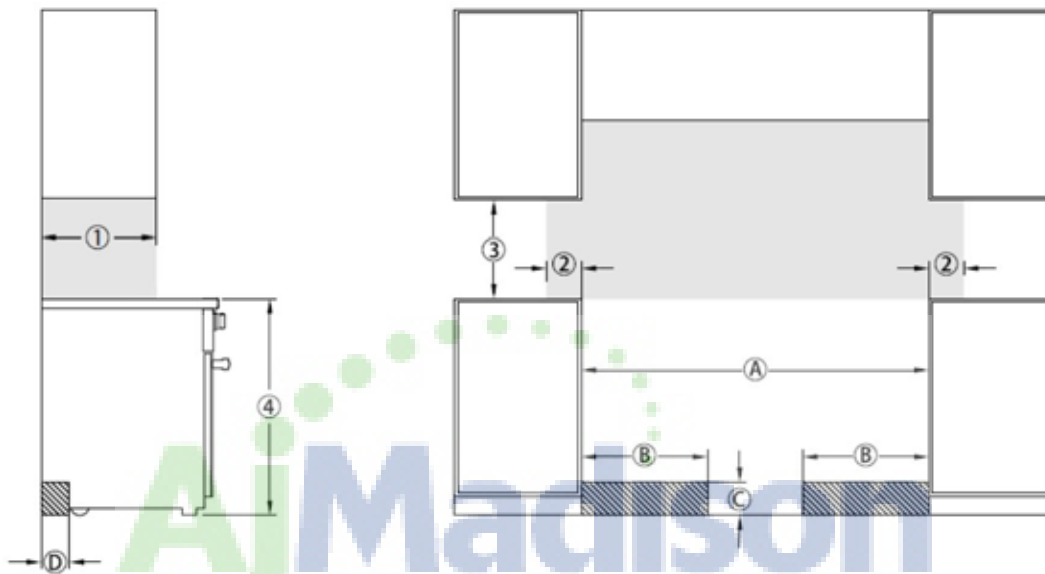
PRODUCT VIEWS

Detailed Front Side View



PRODUCT VIEWS

Cabinet View



Position	Dimension	Description
1	13"	Maximum depth of the upper cabinet
2	6"	Minimum distance, right and left to combustibile surfaces
3	18"	Minimum distance from the bottom of the wall cabinet
4	35 1/2" -37"	Distance from the floor to the surface the cooktop
A	30 1/16" + 1/16"	Niche Width
B	10 13/16"	Maximum lead width right and left
C	4 1/2 "	Maximum connection height
D	2 13/16"	Maximum depth of connection



Boxed areas represent the minimum distance to combustibile surfaces.  
The shaded areas represent the Installation areas for connections.