

Miele

36" All Gas Range

HR 1134-1 G/LP, HR 1135-1 G,
HR 1136-1 G/LP

36" Dual Fuel Range

HR 1934-2 DF G/LP, HR 1935-2 DF G,
HR 1936-2 DF G/LP



36" All Gas and Dual Fuel Range

SPECIFICATIONS	
Overall Unit Dimensions	35 ⁵ / ₁₆ " (915 mm) W x 35 ¹ / ₂ " — 37" (902 — 940 mm) H x 26 ¹ / ₂ " (678 mm) D [Depth to control panel]
Oven Door Clearance	25" (635 mm)
Niche	
Minimum Cabinet Niche Opening	36" (915 mm) W x 35 ¹ / ₂ " (901 mm) H
Gas	
Gas Line Connection	1/2" NPT
Operational Altitudes	
High Altitude	Miele Natural Gas and LP Ranges will function up to 9,800 ft. in altitude without adjustment; the following exception will function up to 6,500 ft. in altitude without adjustment: <ul style="list-style-type: none"> • Griddle in LP: HR 1136-1 LP, HR 1936-2 LP, HR 1956-2 LP • Grill in G: HR 1135-1 G, HR 1935-1 G, HR 1955-1 G If an installation exceeds these elevations, please contact rangejetkit@mieleusa.com.
Electrical	HR 113x-1 HR 193x-2 DF
Electrical Requirements	120V, 60Hz, 15A 120/208-240V, 60Hz, 30A
Power Cord	NEMA 5-15p, 5' 11" (1.8m) NEMA 14-30p, 5' 11" (1.8m)
Plumbing	HR 113x-1 HR 193x-2 DF
Plumbing Requirements	- An In-line water filter, like activated carbon, is required to reduce mineral deposits. Do not connect to a Reverse Osmosis (RO) water system. Connect to a cold water supply only. Must be connected to a shut-off valve. The water shut-off valve must be accessible after installation. The water pressure must be between 14.5 and 145 psi (1 and 10 bars). If the pressure is higher, install a pressure reducing valve.
Plumbed Hose Connection	- Supplied hose: flexible braided 4' 11" (1.5 m) with 3/8" O.D. compression fitting for connection to a shut off valve. The total hose length must not exceed 24.5 ft. (7.5 m).
Shipping	HR 113x-1 HR 193x-2 DF
Shipping Weight	448.6 lbs (203.5 kg)
Shipping Dimensions	43 ⁵ / ₁₆ " (1100 mm) W x 52" (1,294 mm) H x 31 ¹ / ₂ " (800 mm) D
Installation Accessories	HR 113x-1 HR 193x-2 DF
12" Backguard	RBGAG1236 RBGDF1236
20" Backguard	RBGAG2036 RBGDF2036
40" Backsplash	RBS36 RBS36
Support	
Call Miele	(800) 999-1360
Miele Website	www.mieleusa.com
20/20 Link	2020technologies.com

All Gas:



Only Burners:



HR 1134-1
Item 25113461USA
HR 1134-1 LP
Item 25113462USA

With Grill:



HR 1135-1
Item 25113561USA

With Griddle:



HR 1136-1
Item 25113661USA
HR 1136-1 LP
Item 25113662USA

Dual Fuel:



HR 1934-2 DF
Item 25193471USA
HR 1934-2 DF LP
Item 25193472USA



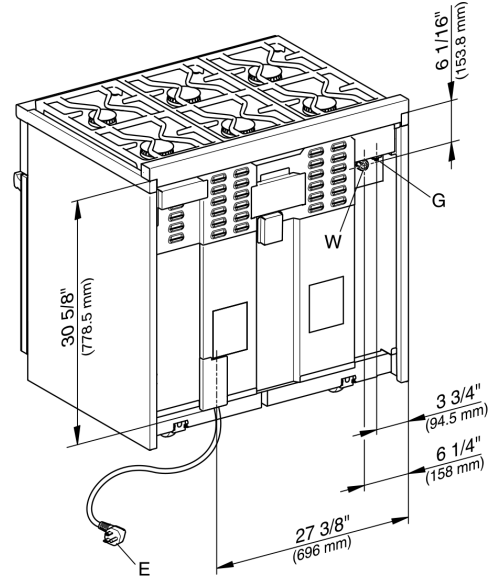
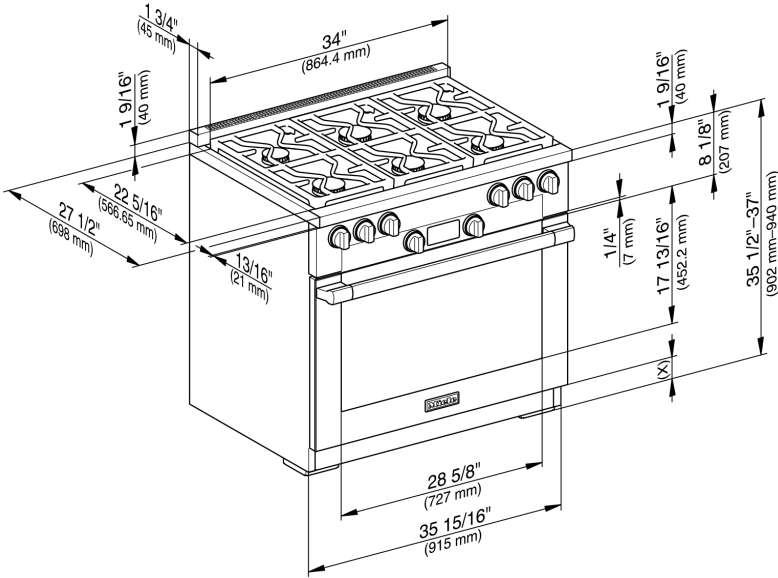
HR 1935-2 DF
Item 25193571USA



HR 1936-2 DF
Item 25193671USA
HR 1936-2 DF LP
Item 25193672USA

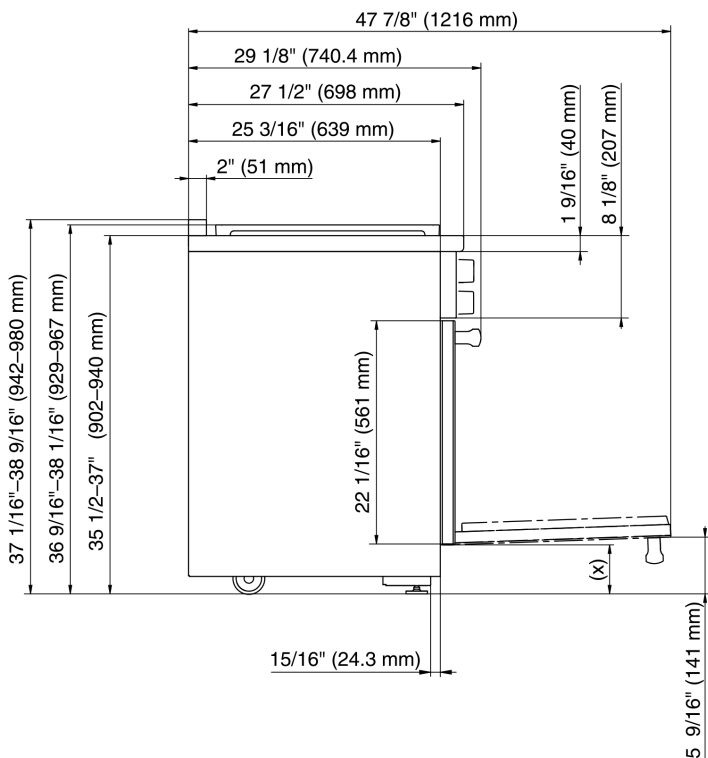
36" All Gas and Dual Fuel Range

PRODUCT DIMENSIONS

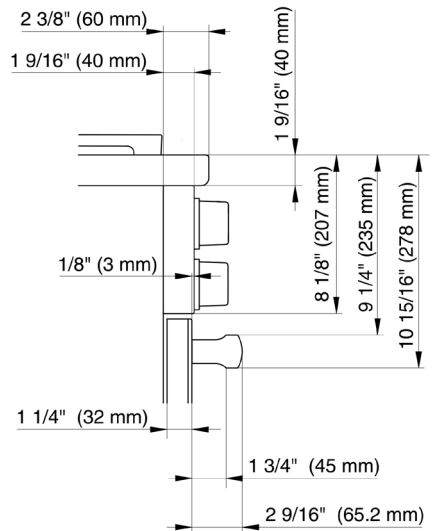


- (x) = Toe-kick height adjustment 5" - 6 1/2" (127 mm - 165.1 mm)
- E = Electrical connection
- G = Gas connection
- W = Water connection (HR 193x -2 Only)

SIDE VIEW



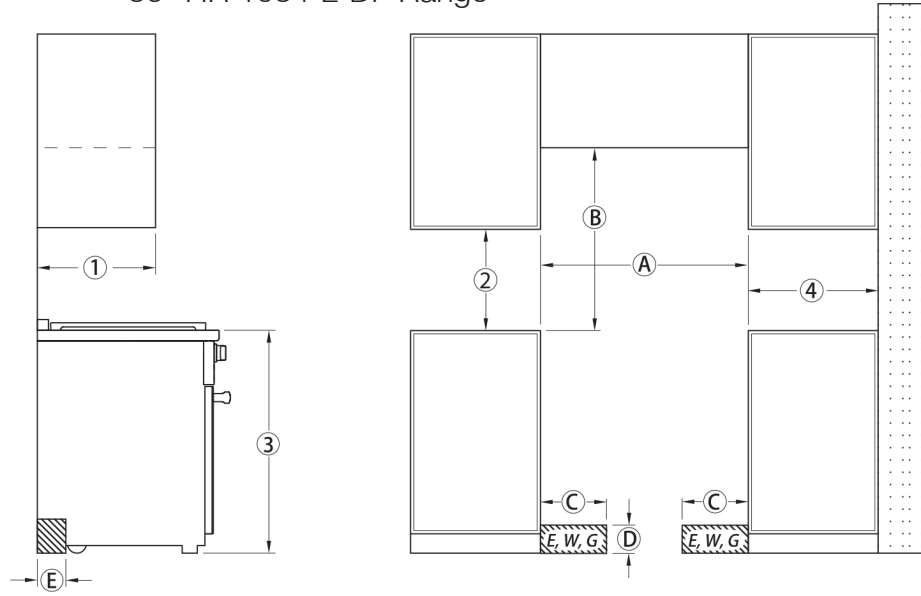
BULLNOSE DETAILS



(x) = Toe-kick height adjustment 5" - 6 1/2" (127 mm - 165.1 mm)

36" HR 1934-2 DF Range

Dual Fuel 36" Range BTU Output	
HR1934-2 Burners	
Gas Burners:	(1) 12,500 BTU (G/LP);
	(2) 13,600 BTU (G)
	13,000 BTU (LP);
	(3) 19,500 BTU (G/LP)
Total BTU Output	98,200 BTU (G) 97,000 BTU (LP)



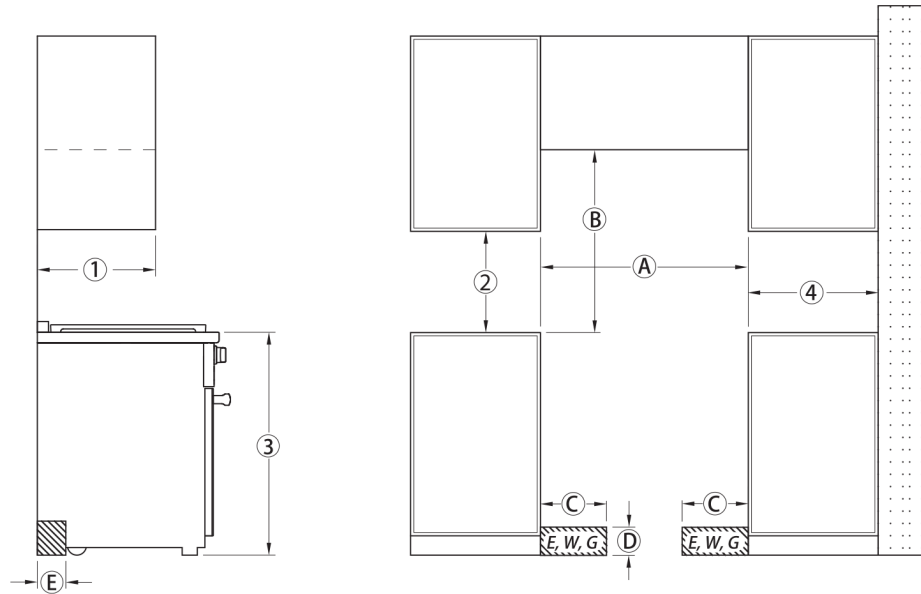
©, D, E The shaded area represents the installation area for the connections:
E = Electrical connection, W = Water connection (HR 193x-2 DF only), G = Gas Connection

Position	Dimensions	Description	
①	13" (330 mm)	Maximum depth of top cabinet	
②	18" (457 mm)	Minimum distance to bottom edge of top cabinet	
③	35 1/2"–37" (901–940 mm)	Distance from the floor to cooktop surface	
④	10" (254 mm)	Minimum distance to combustible surfaces.	
Ⓐ	min. 36" (915 mm)	Niche width Please contact Miele Technical Service for more information.	
Ⓑ	37" (940 mm)	Minimum distance between the top of the cooking area and the bottom of an unprotected combustible surface.	
	36" (915 mm)	Minimum distance between the top of the cooking area and the bottom of the Miele Range Hood (DAR model with DRxB XL blower).	
	30" (762 mm)	Minimum distance between the top of the cooking area and the bottom of the Miele Range Hood (DAR model with DRxB XXL blower).	
Refer to the Installation instructions for the Miele ventilation hood, Appliance dimensions (Distance between cooktop and ventilation hood (S)). For all other hoods please consult the manufacturer's specifications for required distances.			
Ⓒ	approx. 13 3/4" (350 mm)	Maximum connection width right and left	Position of the wall socket
Ⓓ	approx. 4 1/2" (115 mm)	Maximum connection height	
Ⓔ	approx. 2 13/16" (72 mm)	Maximum connection depth	

Note:
Please observe safe distances to rear combustible surfaces of 12" (305 mm) clearances. For zero clearance installation, Miele Backguards will satisfy the required distance to combustible surfaces. The Miele Backguard is available in 12" (305 mm) or 20" (508 mm) heights.

36" All Gas and Dual Fuel Range

All Gas 36" Range BTU Output	
HR1134-1 Burners	
Gas Burners:	(1) 8,000 BTU (G/LP); (2) 9,000 BTU (G/LP); (3) 19,500 BTU (G/LP)
Total BTU Output	84,500 BTU (G/LP)
HR1135-1 Burners	
Gas Burners:	(1) 9,000 BTU (G); (1) 8,000 BTU (G); (2) 19,500 BTU (G)
Grill Burner:	19,000 BTU (G)
Total BTU Output	75,000 BTU (G)
HR1136-1 Burners	
Gas Burners:	(1) 9,000 BTU (G/LP); (1) 8,000 BTU (G/LP); (2) 19,500 BTU (G/LP)
Griddle Burner:	13,000 BTU (G) 14,300 BTU (LP)
Total BTU Output	69,000 BTU (G) 70,300 BTU (LP)
Oven Burners (HR113x-1 Only)	
Oven Top Burners:	22,000 BTU (G); 20,150 BTU (LP)
Oven Bottom Burner:	25,500 BTU (G); 27,500 BTU (LP)
Dual Fuel 36" Range BTU Output	
HR1935-2 Burners	
Gas Burners:	(1) 12,500 BTU (G); (1) 13,600 BTU (G); (2) 19,500 BTU (G)
Grill Burner:	19,000 BTU (G)
Total BTU Output	84,100 BTU (G)
HR1936-2 Burners	
Gas Burners:	(1) 12,500 BTU (G/LP); (1) 13,600 BTU (G); 13,000 BTU (LP); (2) 19,500 BTU (G/LP)
Griddle Burner:	13,000 BTU (G) 14,300 BTU (LP)
Total BTU Output	78,100 BTU (G) 78,800 BTU (LP)



ⓐ, ⓓ, ⓔ The shaded area represents the installation area for the connections:
E = Electrical connection, W = Water connection (HR 193x-2 DF only), G = Gas Connectoin

Position	Dimensions	Description
①	13" (330 mm)	Maximum depth of top cabinet
②	18" (457 mm)	Minimum distance to bottom edge of top cabinet
③	35 1/2"–37" (901–940 mm)	Distance from the floor to cooktop surface
④	10" (254 mm)	Minimum distance to combustible surfaces.
Ⓐ	min. 36" (915 mm)	Niche width Please contact Miele Technical Service for more information.
Ⓑ	37" (940 mm)	Minimum distance between the top of the cooking area and the bottom of an unprotected combustible surface.
	30" (762 mm)	Minimum distance between the top of the cooking area and the bottom of the Miele Range Hood (DAR model with DRxB XL or DRxB XXL blower). Refer to the Installation instructions for the Miele ventilation hood, Appliance dimensions (Distance between cooktop and ventilation hood (S)). For all other hoods please consult the manufacturer's specifications for required distances.
Ⓒ	approx. 13 3/4" (350 mm)	Maximum connection width right and left
Ⓓ	approx. 4 1/2" (115 mm)	Maximum connection height
Ⓔ	approx. 2 13/16" (72 mm)	Maximum connection depth
		Position of the wall socket

Note:
Please observe safe distances to rear combustible surfaces of 12" (305 mm) clearances. For zero clearance installation, Miele Backguards will satisfy the required distance to combustible surfaces. The Miele Backguard is available in 12" (305 mm) or 20" (508 mm) heights.