

Installation Instructions

30" Electric, 30" Induction Range

30", 36" All Gas Range

30", 36", 48" Dual Fuel Range



To prevent accidents and damage to the range, you **must** read all instructions supplied before installing or using the appliance.

PRECAUTIONS TO AVOID POSSIBLE EXPOSURE TO EXCESSIVE MICROWAVE ENERGY

PRECAUTIONS TO AVOID POSSIBLE EXPOSURE TO EXCESSIVE MICROWAVE ENERGY

- (a) Do not attempt to operate this oven with the door open since open-door operation can result in harmful exposure to microwave energy. It is important not to defeat or tamper with the safety interlocks.
- (b) Do not place any object between the oven front and the door or allow soil or cleaner residue to accumulate on sealing surfaces.
- (c) Do not operate the oven if it is damaged. It is particularly important that the oven door closes properly and that there is no damage to the: (1) door (bent), (2) hinges and latches (broken or loosened), (3) door seals and sealing surfaces.
- (d) The oven should not be adjusted or repaired by anyone except properly qualified service personnel.

IMPORTANT SAFETY INSTRUCTIONS

WARNING

Children and adults can tip over the range if has not been secured. This may lead to fatal injuries.

- ▶ This range must be secured and connected using the anti-tip device according to the installation instructions.
- ▶ If you have moved the range, slide the locking latch onto the anti-tip device until you feel it lock into place.
- ▶ Do not use the range if the anti-tip device has not been properly installed and engaged.
- ▶ Failure to observe the information contained in the installation instructions can lead to serious or fatal injuries for children and adults.

	 WARNING
	<p>All ranges can tip</p> <p>Injury to persons could result</p> <p>Install anti-tip devices packed with range</p> <p>See installation instructions</p>

IMPORTANT SAFETY INSTRUCTIONS

⚠ WARNING: If the information in this manual is not followed exactly, a fire or explosion may result causing property damage, personal injury, or death.

- Do not use or store gasoline or other combustible liquids or vapors in the vicinity of this or any other appliance.
- WHAT TO DO IF YOU SMELL GAS
 - Do not try to light any appliance.
 - Do not touch any electric switches.
 - Do not use any phones inside your building.
 - Immediately call your gas supplier from a neighbor's phone. Follow the gas supplier's instructions.
 - If you are unable to reach your gas provider, call the fire department.
- Installation and service must be performed by a qualified installer, qualified service agency or your gas provider.
(In Massachusetts, installation must be performed by a licensed installer / gas fitter.)
- Note to the installer:
Please give these installation instructions to the consumer for the local electrical/gas inspector.



PRECAUTIONS TO AVOID POSSIBLE EXPOSURE TO EXCESSIVE MICROWAVE ENERGY	2
IMPORTANT SAFETY INSTRUCTIONS	3
IMPORTANT SAFETY INSTRUCTIONS	7
Notes on installation	15
Model numbers	15
Data plate	15
Distance to the range hood.....	15
Items included with this range.....	15
Toe-kick and drip tray.....	16
Installation of the toe-kick.....	16
Installation of the drip tray.....	16
Assembling the grill	17
Optional accessories.....	18
RBGAG All Gas Backguard/RBGDF Dual Fuel Backguard	18
RBS Backsplash.....	21
XKM 3000 W Remote Vision (USA Only).....	21
Required connections	23
All Electric Range dimensions	24
HR 1421, HR 1622-2.....	24
Detailed views of HR 1421	26
Detailed views of HR 1622-2.....	30
All Gas Range dimensions	34
All Gas Range HR 1124.....	34
All Gas Range HR 1134-1, HR 1135-1, HR 1136-1	36
Detailed views of HR 1124	38
Detailed views of HR 1134-1.....	42
Detailed views of HR 1135-1.....	46
Detailed views of HR 1136-1.....	50
Dual Fuel Range dimensions	54
Dual Fuel Range HR 1724	54
Dual Fuel Range HR 1924-2.....	56
Dual Fuel Range HR 1934-2, HR 1935-2, HR 1936-2	58
Dual Fuel Range HR 1954-2, HR 1955-2, HR 1956-2.....	61
Detailed views of HR 1724	64
Detailed views of HR 1924-2.....	68
Detailed views of HR 1934-2.....	72
Detailed views of HR 1935-2.....	76

Contents

Detailed views of HR 1936-2.....	80
Detailed views of HR 1954-2.....	84
Detailed views of HR 1955-2.....	88
Detailed views of HR 1956-2.....	92
Anti-tip device	96
Before installation.....	96
Checking the installation space	97
Included accessories.....	99
Installation dimensions of locking bolt.....	99
Installing the range with the anti-tip device.....	99
Disconnecting the range from the anti-tip device	103
Electrical connection	104
Data plate	105
Plumbing	106
Notes on connecting to the water supply	106
Attach the stainless steel hose to the range.	107
Connecting to the water supply	107
Gas connection	108
Burner ratings	110
Burner ratings HR 1124.....	110
Burner ratings HR 1134-1	111
Burner ratings HR 1135-1	112
Burner ratings HR 1136-1	113
Burner ratings HR 1724.....	114
Burner ratings HR 1924-2	115
Burner ratings HR 1934-2	116
Burner ratings HR 1935-2	117
Burner ratings HR 1936-2	118
Burner ratings HR 1954-2	119
Burner ratings HR 1955-2	120
Burner ratings HR 1956-2	121
Caring for the environment	122

IMPORTANT SAFETY INSTRUCTIONS

When using the appliance, follow basic safety precautions, including the following:

Read all instructions before installation and use of the range to prevent accidents and machine damage.

This range complies with current safety requirements. However, improper use of the appliance can result in personal injury or damage to property.

Please read the installation instructions carefully before installing and connecting the appliance.

Read the operating instructions before using the range for the first time. To prevent accidents and damage to the appliance, always observe both the installation instructions and operating instructions. Both documents contain important information about installation, safety, use and maintenance.

Miele cannot be held liable for damage occurring as a result of non-compliance with the instructions.

Keep these installation instructions and operating instructions in a safe place and pass them on to any future owner.

IMPORTANT SAFETY INSTRUCTIONS

When using the appliance, follow basic safety precautions, including the following:

Read all instructions before installation and use of the oven to prevent accidents and machine damage.

WARNING - To reduce the risk of burns, electric shock, fire, injury to persons, or exposure to excessive microwave energy:

This appliance complies with current safety requirements. Improper use of the appliance can lead to personal injury and material damage.

Read all instructions before installing or using the oven for the first time. Only use the appliance for its intended purpose.

Keep these operating instructions in a safe place and pass them on to any future user.

Read and follow the specific “PRECAUTIONS TO AVOID POSSIBLE EXPOSURE TO EXCESSIVE MICROWAVE ENERGY” found at the beginning of this manual.

Only use the appliance for its intended purpose. Install or locate this appliance only in accordance with the provided installation instructions and all local codes.

IMPORTANT SAFETY INSTRUCTIONS

Appropriate use

- ▶ This range is intended for domestic use and use in other similar environments.
- ▶ This appliance is not intended for outdoor use.
- ▶ Use the range exclusively under normal domestic conditions:
 - Use the oven for baking, roasting, broiling, defrosting, canning and drying food.
 - Use the stovetop to prepare food and keep it warm.

Any other use is not permitted.

- ▶ Risk of Fire! Do not use this oven to store or dry combustible materials.
- ▶ Persons who lack physical, sensory or mental abilities, or experience with the appliance should not use it without supervision or instruction by a responsible person.

IMPORTANT SAFETY INSTRUCTIONS

Safety with children

- ▶ Children must be kept away from the range unless constantly supervised.
- ▶ Please supervise any children in the vicinity of the range and do not let them play with the appliance.
- ▶ Burn hazard from improper use! Do not allow children to operate the oven.
- ▶ Danger of suffocation. While playing, children may become entangled in packaging material (such as plastic wrapping) or pull it over their head, presenting the risk of suffocation. Keep packaging material away from children.
- ▶ Burn hazard!
Keep the spaces above and behind the range clear of any items that could draw the attention of children. Otherwise, they can be tempted into climbing onto the appliance.
- ▶ Danger of injury. Never allow children to hang or lean on any part of the appliance.

IMPORTANT SAFETY INSTRUCTIONS

Technical safety

- ▶ Unauthorized installation, maintenance, and repairs can cause considerable danger for the user. Installation, maintenance, and repairs must only be carried out by a Miele authorized technician.
- ▶ Do not carry or lift the range by the oven door handle or the control panel!
- ▶ Check whether the anti-tip device is properly installed and locked into place (see “Anti-tip device”):
 - The anti-tip device must be fastened to the floor or wall with suitable screws.
 - You must be able to feel that the locking latch is engaged in the bolt of the anti-tip device.
- ▶ Slide the range's locking latch into place on the anti-tip device. The locking latch must be noticeably engaged with the bolt of the anti-tip bracket.
- ▶ A damaged range can be dangerous. Always check for visible signs of damage. Never use a damaged appliance.
- ▶ Reliable and safe operation of the range can only be guaranteed if it is connected to the public power supply.
- ▶ The electrical safety of the range can only be guaranteed when it is properly grounded. Compliance with this essential safety requirement is absolutely mandatory. If in any doubt, please have the building's wiring system inspected by a qualified electrician.
- ▶ To avoid damaging the range, make sure that the connection data (voltage and frequency) on the data plate correspond to the building's power supply before connecting the appliance. When in doubt, consult a qualified electrician.

IMPORTANT SAFETY INSTRUCTIONS

▶ During installation, maintenance and repair work, e.g. if the oven lighting is broken, the range must be completely disconnected from the household electricity supply (see“Frequently asked questions”). The gas inlet valve must be closed. It is only completely isolated from the supply when:

- The circuit breakers have been switched off, or
- the fuses of the electrical installation have been completely removed, or
- the plug (if present) is removed from the socket. To do this, pull the plug not the cord.
- Shut off the gas supply and disconnect the range from the gas supply. Installation and maintenance of the gas connection must be performed by qualified installers, service agencies or gas providers.

▶ Do not use a power strip or extension cord to connect the range to electricity. These are a fire hazard and do not guarantee the required level of appliance safety.

▶ Any contact with live connections or tampering with the electrical or mechanical components of the range will endanger your safety and may lead to appliance malfunctions.

Do not open the appliance housing under any circumstances.

▶ This appliance must not be installed and operated in mobile installations (e.g. on a ship).

▶ Any repairs not performed by a Miele authorized service technician will void the warranty.

▶ Defective components should be replaced by Miele original parts only. Only with these parts can safety of the appliance be assured as intended by the manufacturer.

▶ Risk of electric shock! If the ceramic surface of the stovetop is defective or chipped, cracked or broken in any way, immediately switch the stovetop off and do not continue to use it. Disconnect the range from the power supply and contact Miele Technical Service.

IMPORTANT SAFETY INSTRUCTIONS

- ▶ In order for the range to function properly, it requires an adequate supply of cool air. Ensure that the air flow is not impaired. Also be sure that the cool air supply is not excessively heated by other heat sources (e.g. solid fuel stoves).
- ▶ If the range is installed behind a cabinet door, do not close the door while the appliance is in operation. Heat and moisture can build up behind the closed door and cause damage to the range and to the surrounding cabinets and flooring. Do not close the door until the appliance has completely cooled down.
- ▶ Reaching over a hot cooktop to access the cabinets can result in burns. You can reduce the risk of burns by installing a range hood that extends at least 4 3/4" (12 cm) past the bottom of the cabinets.
- ▶ The water shutoff valve must be accessible after the range has been installed.
- ▶ The integrated Waterproof System offers protection against water damage if the following conditions are met:
 - The range is properly installed (connected to electric and water supply).
 - The range is repaired immediately whenever damage is detected.
 - The water supply is shut off during extended periods of non-use (e.g. vacation).
- ▶ Hard water, water containing minerals and water from reverse osmosis filtering systems can damage the range. Only use filtered, softened and demineralized water from the building's plumbing to supply the range.

Preparing your appliance for an extended vacation

- ▶ If you elect to turn off the water to your home for an extended period of time, please note that this may not be enough to reduce the risk of a leak. To be completely safe, you must turn off the water supply to each individual appliance.

IMPORTANT SAFETY INSTRUCTIONS

Cleaning and maintenance

- ▶ The steam from a steam cleaning appliance could reach live electrical components and cause a short circuit. Do not use a steam cleaner to clean the range.
- ▶ Only clean parts listed in these Operating and Installation Instructions.
- ▶ Scratches on the door glass can cause the glass to break. Do not use abrasive cleaners, hard sponges, brushes or sharp metal tools to clean the door glass.
- ▶ The shelf runners can be removed for cleaning purposes (see “Cleaning and care”). Ensure they are correctly fitted after cleaning and never operate the oven without the shelf runners inserted.
- ▶ There is a seal around the oven interior which seals the inside of the door. Take care not to rub, damage or move the gasket. Do not clean the door gasket - the door gasket is essential for a good seal.
- ▶ Do not use a protective coating to line the oven and do not use commercial oven cleaner unless certified for use in a self-cleaning oven.
- ▶ Debris should be removed before running the Self Clean program. If not removed this debris can smoke causing the self-cleaning program to turn itself off.

SAVE THESE INSTRUCTIONS AND REVIEW THEM PERIODICALLY

Model numbers

A list of the ovens described in these operating instructions can be found on the back page.

Data plate

The data plate is behind the toe-kick. The toe-kick cover is attached to the base of the range by magnets so it can be removed and put back again easily.

There you can find the model number, the serial number and the connection data (voltage/frequency/maximum rated load) for your range.

Have this information available when contacting Miele Technical Service.

Distance to the range hood

The minimum clearance between the appliance and a range hood above will be listed by the hood manufacturer.

If there is more than one appliance installed below the range hood, each with a different safety clearance, the largest clearance must be used.

Items included with this range

The range is supplied with:

- Installation Instructions,
- Multiple operating instructions (depending on model) for:
 - Electric Range
 - Induction Range
 - Convection Oven
 - Gas Cooktop
 - Gas Convection Oven
 - Speed Oven
 - Warming Drawer
- an anti-tip device including screws for fastening the range,
- various accessories.

Notes on installation

Toe-kick and drip tray

30" and 36" range

The components are located in the packaging of the range.

48" range

The components are already installed.

Installation of the toe-kick

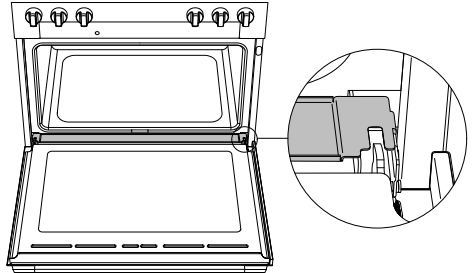
The toe-kick has sheet metal lugs and magnets by means of which it can be positioned and attached to the base of the range.

- Position the toe-kick in such a way that the sheet metal lugs are facing the provided holes in the base.
- Push the toe-kick onto the base of the range until it audibly locks into place.

Installation of the drip tray


The drip tray covers the gap between the oven cavity and the door.


- Open the oven door.

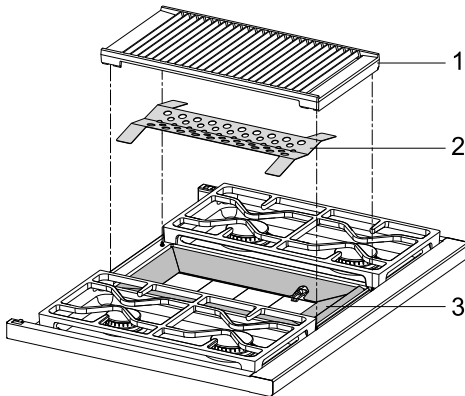


- Lay the drip tray over the gap between the oven cavity and the door.
- Close the oven door.

Assembling the grill

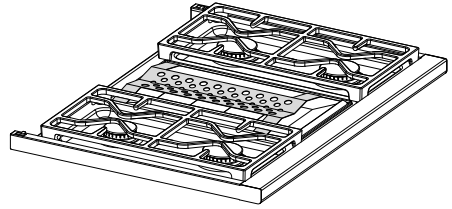
 **Burn hazard!**
The burners must be turned off and allowed to cool completely.

 **Risk of injury!**
The cast-iron grill is heavy.
Carry the grill carefully and place it securely on a soft base so that it lies flat.



- ① Grill
- ② Radiant plate
- ③ Frame

- Using a soft sponge, clean radiant plate ② with a solution of warm water and a small amount of liquid dish soap. Dry the parts thoroughly after cleaning.
- Remove the grill ① from the gas cooktop.
- Place the radiant plate ② on top of the frame ③.



- Place the grill ① into position.

Cleaning and care

Tip: All parts can be disassembled in the reverse order. You can also remove the frame for cleaning.

Notes on installation

Optional accessories

All accessories and cleaning products listed in these instructions are designed to be used with the Miele range.

These can be ordered from the Miele website (see end of this booklet for contact details).

When ordering, please have your model number available.

RBGAG All Gas Backguard/RBGDF Dual Fuel Backguard

Depending on the model, you can exchange the existing island trim of your appliance for a larger range backguard. The backguard is available in the following heights: 12" (305 mm) and 20" (508 mm).

All Gas Range

Hot vapors are emitted above the island trim during Self Clean as well as when cooking food in the oven.

The emission of vapors can soil and discolor surfaces above the island trim.

Take precautions to protect sensitive surfaces such as marble, granite, and tiles against soiling and discoloration (surfaces of this nature can be difficult or even impossible to clean).

All Gas Range

Risk of injury caused by hot vapors.

Hot vapors are emitted above the island trim during Self Clean as well as when cooking food in the oven.

You could burn yourself on the hot vapors.

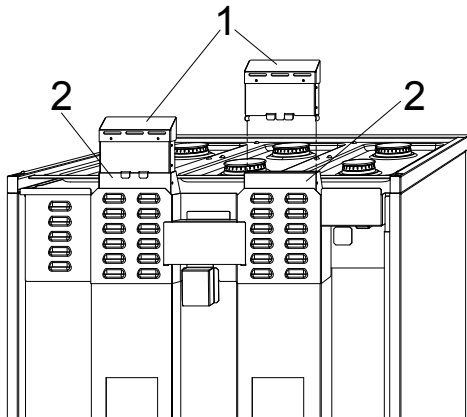
Do not reach above the island trim and keep others away from it when you are using the oven.

Mounting the RBGAG All Gas Backguard

The rear of the range must be accessible.

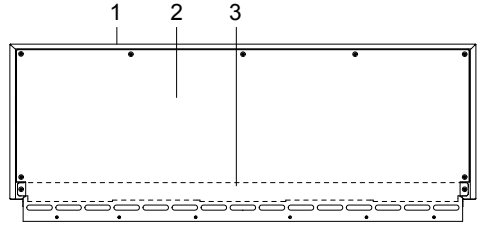
Mount the backguard before installing the anti-tip device and connecting of the range.

- Loosen the screws of the island trim.
- Pull back the island trim slightly until it can be removed.



- ① Extender
- ② Air ducts

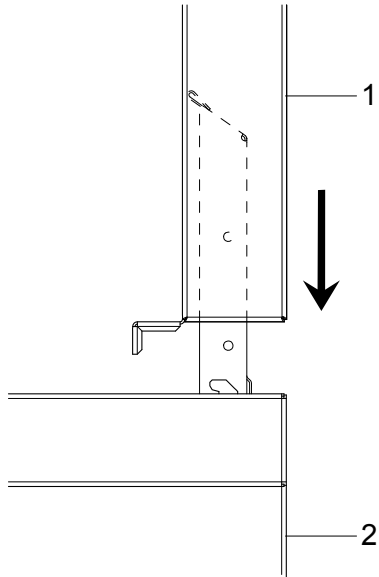
- Insert one extender ① onto each of the left and right air ducts ②.
- Screw the extenders ① into place with 2 screws each.



- ① Backguard
- ② Rear panel backguard
- ③ Interior panel

- To avoid scratching the backguard ①, place it front side downwards on a soft surface (e.g., a blanket). The lower edge should line up with the edge of the table so that the backguard is lying flat.
- Remove the screws from the rear of the backguard.
- Remove the rear ② and interior ③ panels.

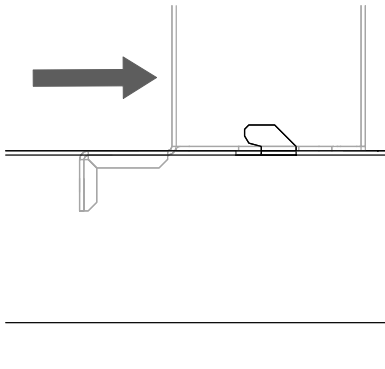
Notes on installation



① Backguard

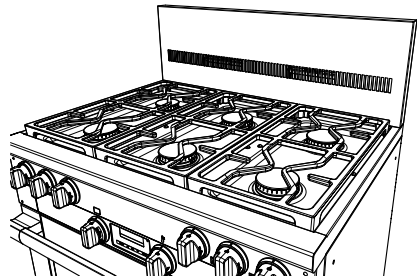
② Range

- Push the backguard ① over the air duct extensions from above.

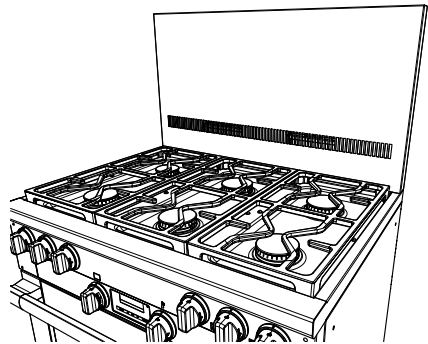


- As soon as the backguard is sitting on the range, push the backguard backwards.

- Secure the interior panel and the rear panel to the backguard with the screws supplied.
- Secure the backguard to the range with the screws supplied.



Backguard 12"



Backguard 20"

Installing the RBGDF Dual Fuel Backguard

The rear of the range must be accessible.

Install the backguard before installing the anti-tip device and connecting of the range.

- Loosen the screws of the island trim.
- Pull back the island trim slightly until it can be removed.

The backguard can be **installed** in reverse order.

RBS Backsplash

The backsplash is intended for installation to a Miele Range Hood (DAR model). Observe the installation instructions of the Miele Range Hood.

XKM 3000 W Remote Vision (USA Only)

Depending on the model, the range maybe compatible with RemoteVision™.

In order to use the RemoteVision™ monitoring service, you will require a XKM 3000 W Communication Module. Refer to the Operating and Installation Instructions of the Miele XKM 3000 W Communication Module.

Notes on installation

Do not carry or lift the range by the oven door handle or the control panel!

The range is heavy.

Due to the size and weight of the appliance, installation should be performed by two people.

The net weight of the range with accessories is as follows:

Model	Width	Net weight incl. accessories
HR 1421 HR 1622-2 HR 112x HR 1724 HR 192x-2	29 15/16" (762 mm)	approx. 307 lbs (140 kg)
HR 113x-1 HR 193x-2	35 15/16" (915 mm)	approx. 405 lbs (180 kg)
HR 195x-2	47 15/16" (1220 mm)	approx. 573 lbs (260 kg)

Installation location

This appliance is not intended for outdoor use.

Ranges with a connection to the water supply should not be installed in rooms where there is a risk of freezing temperatures.

The floor of the space where the appliance is to be installed must be flat, level and made of a strong, rigid material.

The niche floor must be made of strong, rigid material.

Because the Range is heavy and has to be secured with the anti-tip device supplied, the surface must be able to fully bear the load of the appliance. If necessary, seek the advice of an architect or construction expert.

Ventilation

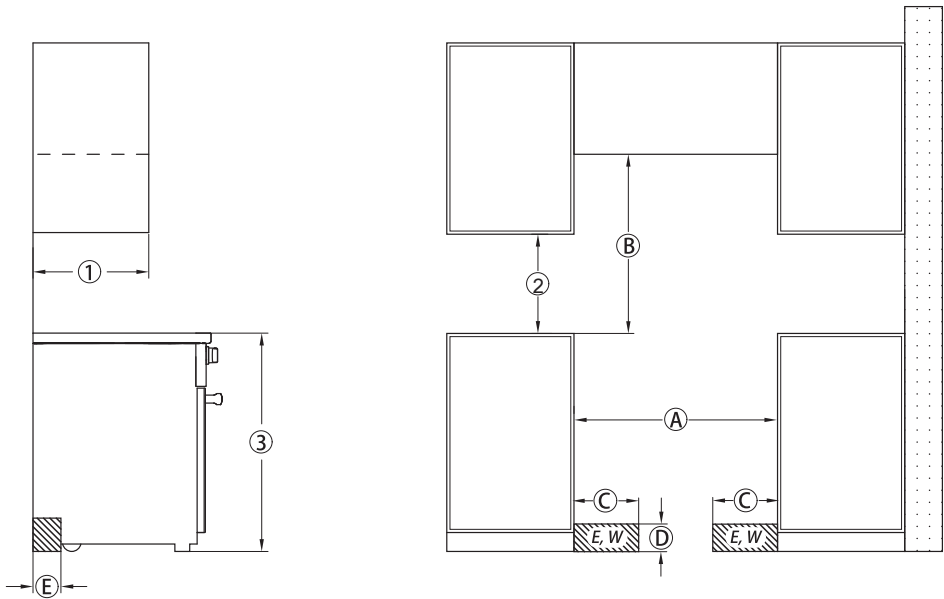
The air intake and outlet openings must not be covered or blocked in any way.

Required connections

Model	Electrical connection	Gas connection	Plumbed water connection
HR 1421	Yes	–	–
HR 1622-2	Yes	–	Yes
HR 112x HR 113x-1	Yes	Yes	–
HR 172x	Yes	Yes	–
HR 192x-2 HR 193x-2 HR 195x-2	Yes	Yes	Yes

All Electric Range dimensions

HR 1421, HR 1622-2



©, D, E The shaded area represents the installation area for the connections:
E = Electrical connection,
W = Plumbed water connection (HR 1622-2 only)

All Electric Range dimensions

HR 1421, HR 1622-2

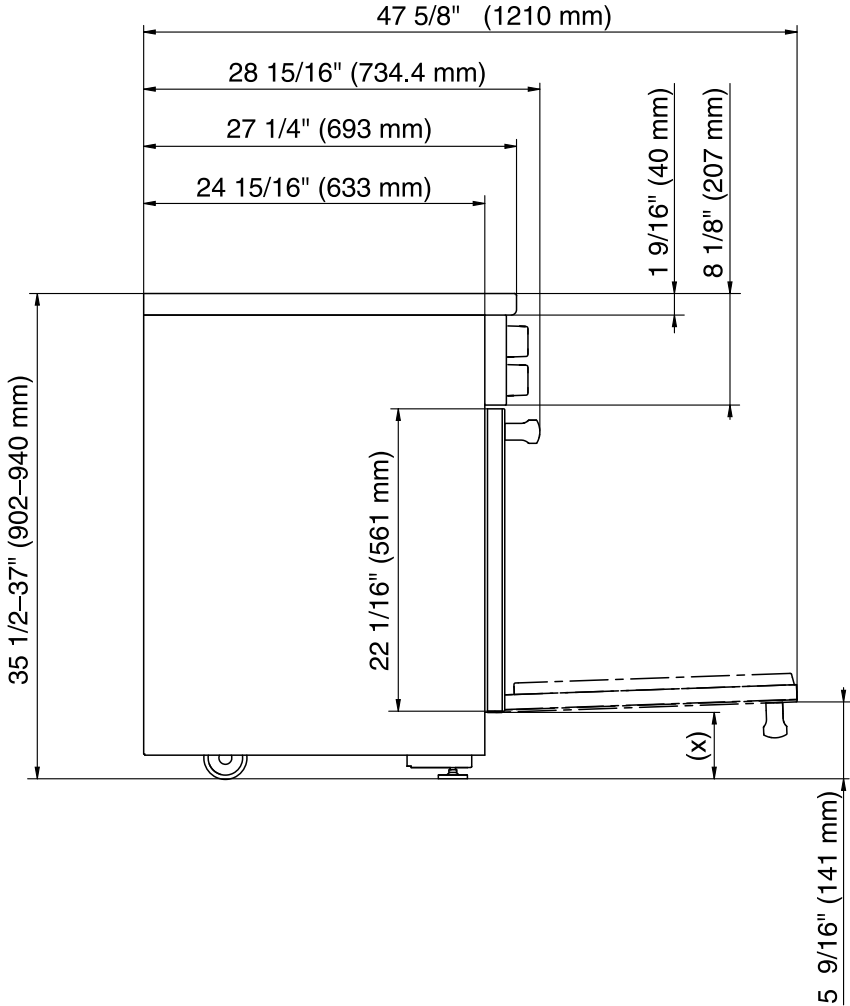
Position	Dimensions	Description	
①	13" (330 mm)	Maximum depth of top cabinet	
②	18" (547 mm)	Minimum distance to bottom edge of top cabinet	
③	35 1/2"–37" (901–940 mm)	Distance from the floor to cooktop surface	
Ⓐ	min. 30" (762 mm)	Niche width	
Ⓑ	30" (762 mm)	Minimum distance between the top of the cooking area and the bottom of an unprotected combustible surface.	
	or 24" (609 mm)	Minimum distance to a protected combustible surface or when a Miele Range Hood is installed.	
	For all other hoods please consult the manufacturer's specifications for required distances.		
Ⓒ	approx. 10 1/16" (256 mm)	Maximum connection width right and left	Position of the wall socket
Ⓓ	approx. 4 1/2" (115 mm)	Maximum connection height	
Ⓔ	approx. 2 13/16" (72 mm)	Maximum connection depth	

Please observe a safe clearance distance of at least 12" (305 mm) from combustible surfaces located behind the appliance. For zero clearance installation the Miele Backguards will satisfy the required distance to combustible surfaces. The Miele Backguard is available in 12" (305 mm) or 20" (508 mm) heights.

All Electric Range dimensions

Detailed views of HR 1421

Side view of HR 1421

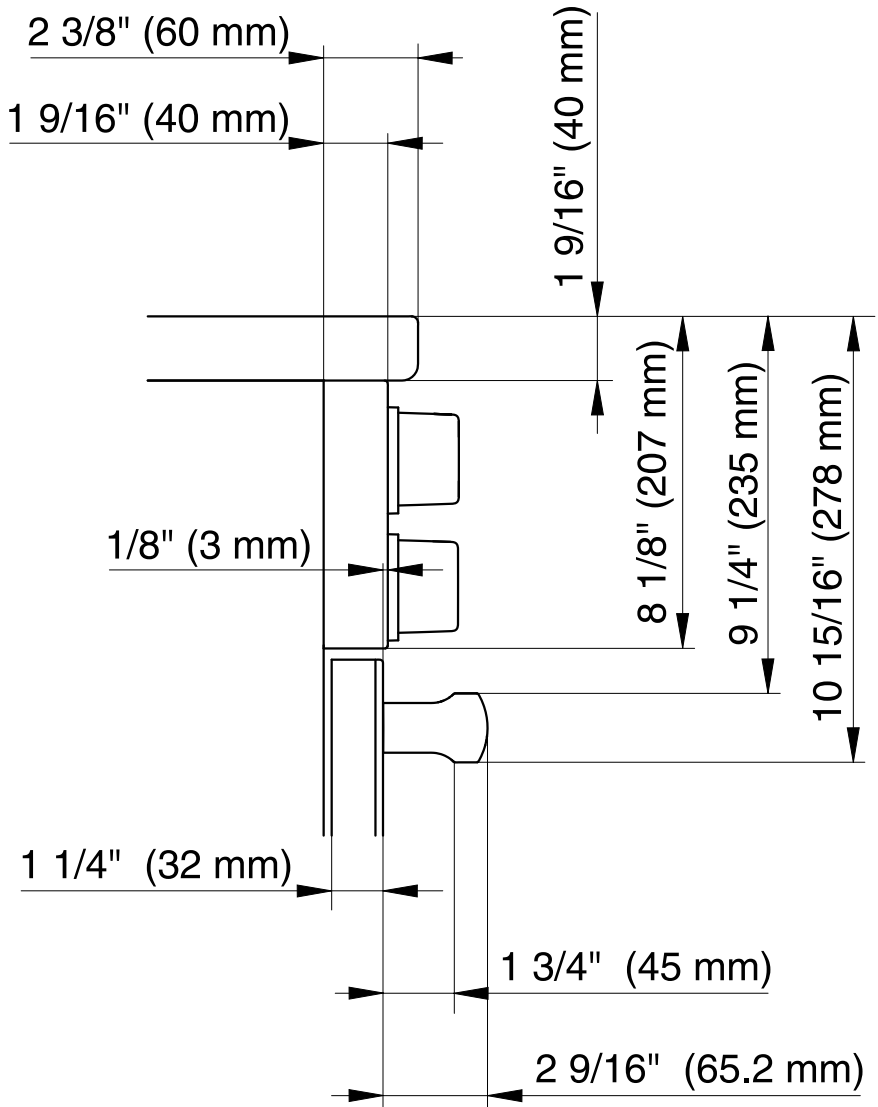


(x) = Depending on the appliance height adjustment

5" - 6 1/2" (127 mm - 165.1 mm)

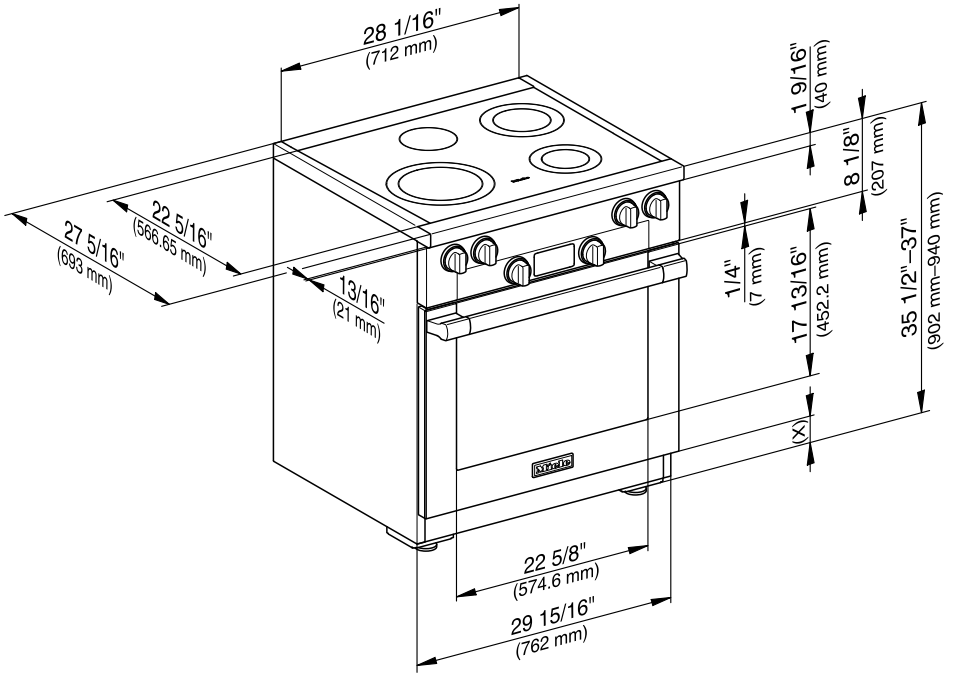
All Electric Range dimensions

Detailed front side view of HR 1421



All Electric Range dimensions

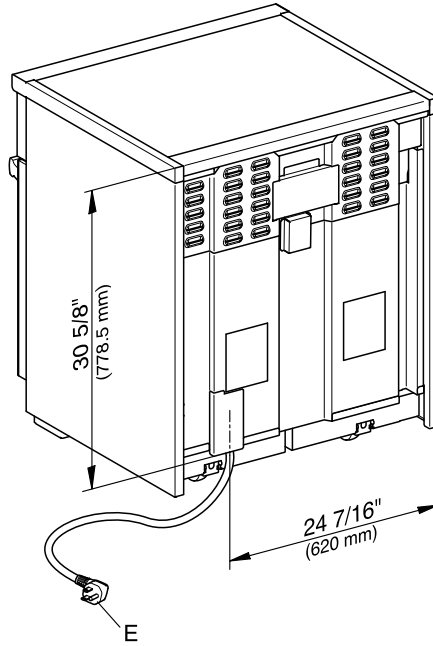
Front side view of HR 1421



(x) = Depending on the appliance height adjustment
5" - 6 1/2" (127 mm - 165.1 mm)

All Electric Range dimensions

Rear view of HR 1421

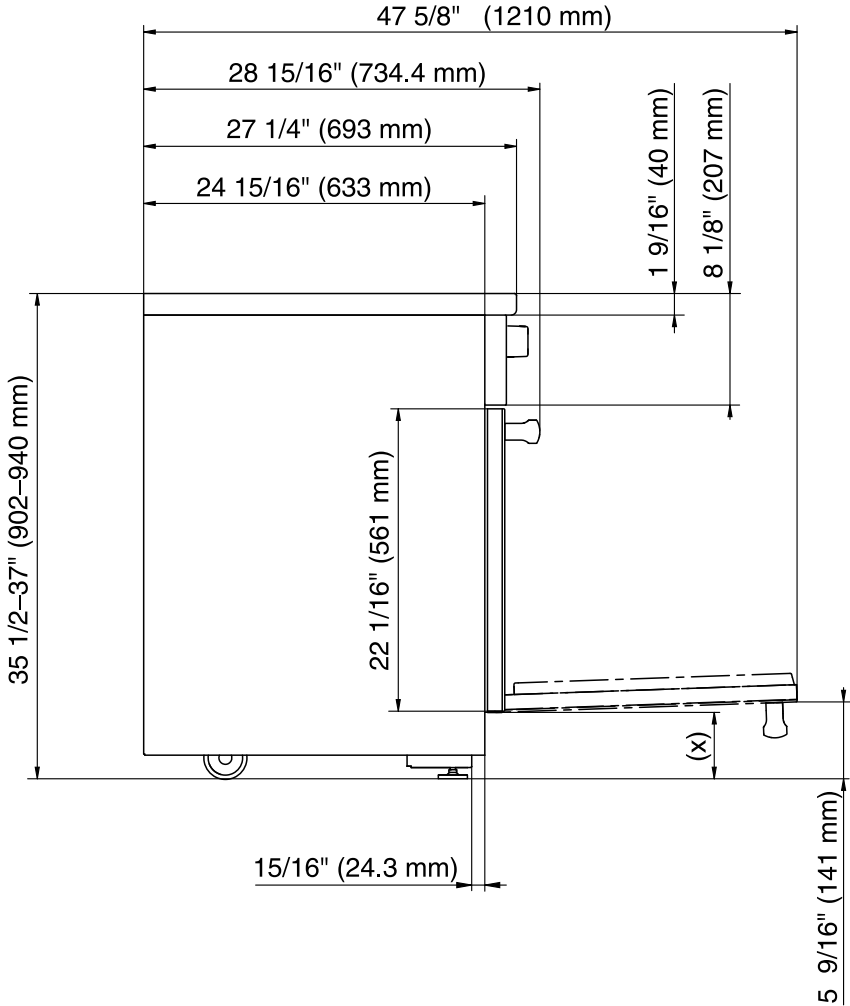


E = Electrical connection

All Electric Range dimensions

Detailed views of HR 1622-2

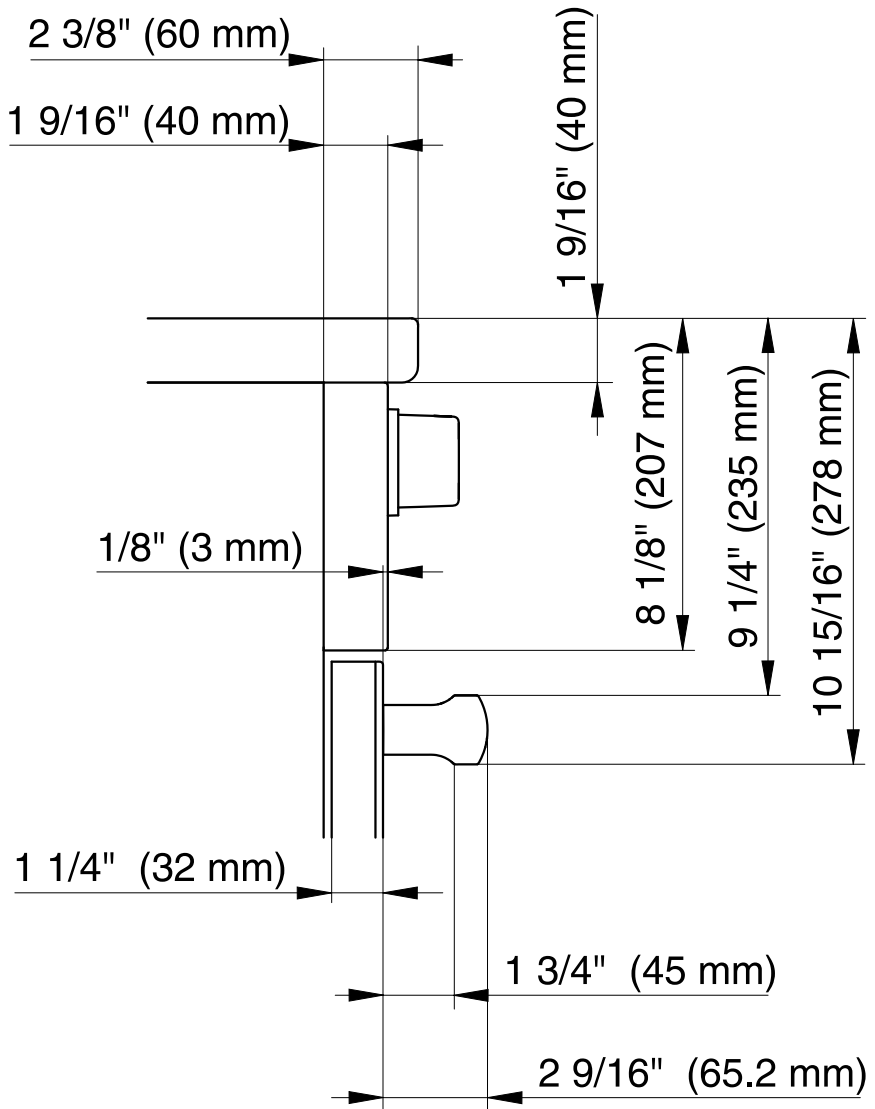
Side view of HR 1622-2



(x) = Depending on the appliance height adjustment: 5" - 6 1/2" (127 mm - 165.1 mm)

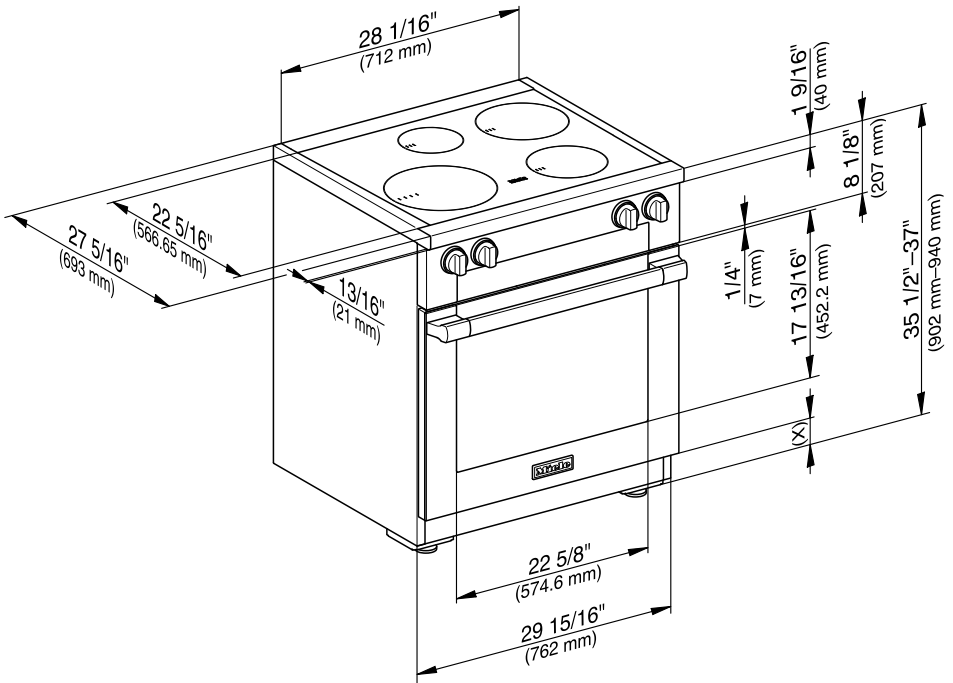
All Electric Range dimensions

Detailed front side view of HR 1622-2



All Electric Range dimensions

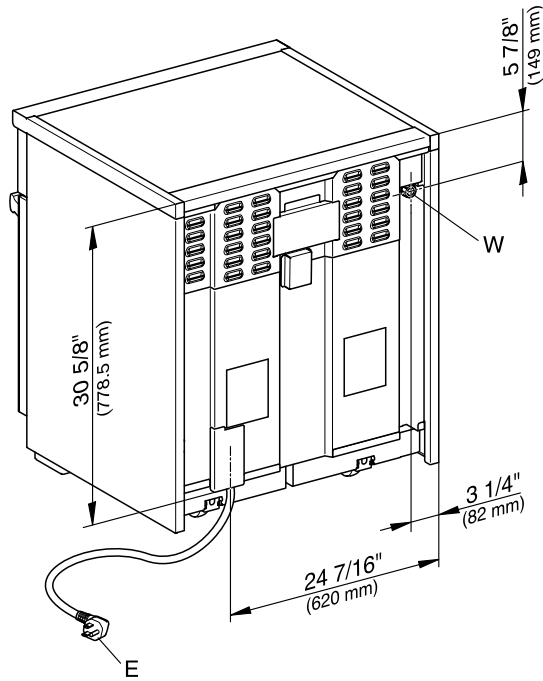
Front view of HR 1622-2



(x) = Depending on the appliance height adjustment: 5" - 6 1/2" (127 mm - 165.1 mm)

All Electric Range dimensions

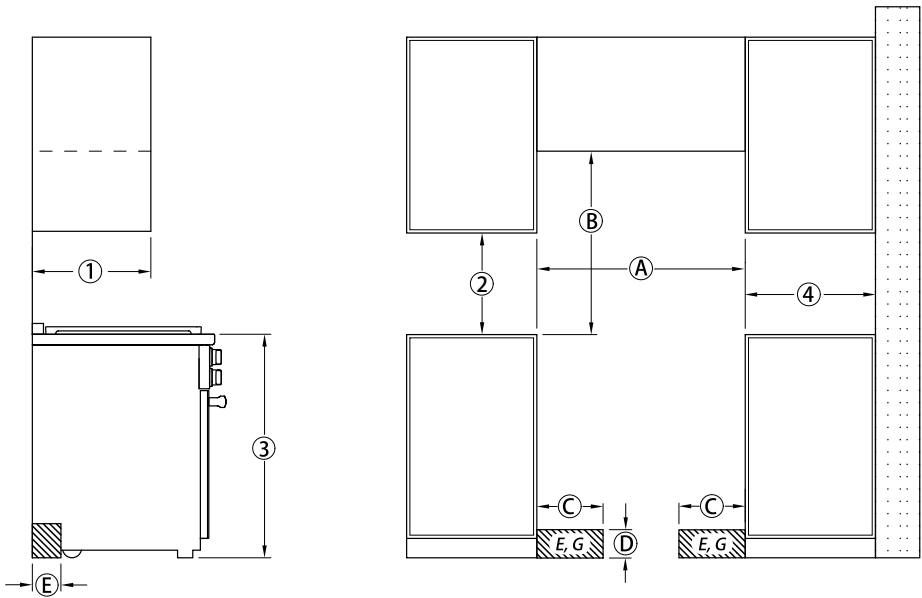
Rear view of HR 1622-2



E = Electrical connection
W = Water connection

All Gas Range dimensions

All Gas Range HR 1124



©, D, E The shaded area represents the installation area for the connections:
 E = Electrical connection, G = Gas connection

Position	Dimensions	Description
①	13" (330 mm)	Maximum depth of top cabinet
②	18" (457 mm)	Minimum distance to bottom edge of top cabinet
③	35 1/2"-37" (901-940 mm)	Distance from the floor to cooktop surface
④	10" (254 mm)	Minimum distance to combustible surfaces.

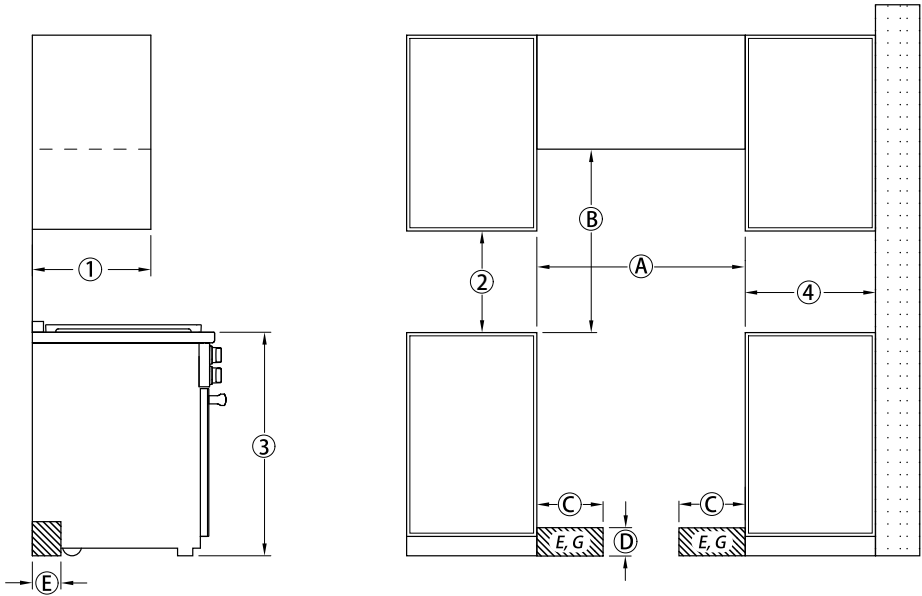
All Gas Range dimensions

Position	Dimensions	Description	
Ⓐ	min. 30" (762 mm)	Niche width Please contact Miele Technical Service for more information.	
Ⓑ	37" (940 mm)	Minimum distance between the top of the cooking area and the bottom of an unprotected combustible surface.	
	30" (762 mm)	Minimum distance between the top of the cooking area and the bottom of the Miele Range Hood (DAR model with DRxB XL or DRxB XXL blower).	
	Refer to the Installation instructions for the Miele ventilation hood, Appliance dimensions (Distance between cooktop and ventilation hood (S)). For all other hoods please consult the manufacturer's specifications for required distances.		
Ⓒ	approx. 10 1/16" (256 mm)	Maximum connection width right and left	Position of the wall socket
Ⓓ	approx. 4 1/2" (115 mm)	Maximum connection height	
Ⓔ	approx. 2 13/16" (72 mm)	Maximum connection depth	

Please observe safe distances to rear combustible surfaces of 12" (305 mm) clearance. For zero clearance installation the Miele Backguards will satisfy the required distance to combustible surfaces. The Miele Backguard is available in 12" (305 mm) or 20" (508 mm) heights.

All Gas Range dimensions

All Gas Range HR 1134-1, HR 1135-1, HR 1136-1



©, D, E The shaded area represents the installation area for the connections:
 E = Electrical connection, G = Gas connection

Position	Dimensions	Description
①	13" (330 mm)	Maximum depth of top cabinet
②	18" (457 mm)	Minimum distance to bottom edge of top cabinet
③	35 1/2"-37" (901-940 mm)	Distance from the floor to cooktop surface
④	10" (254 mm)	Minimum distance to combustible surfaces.

All Gas Range dimensions

HR 1134-1, HR 1135-1, HR 1136-1

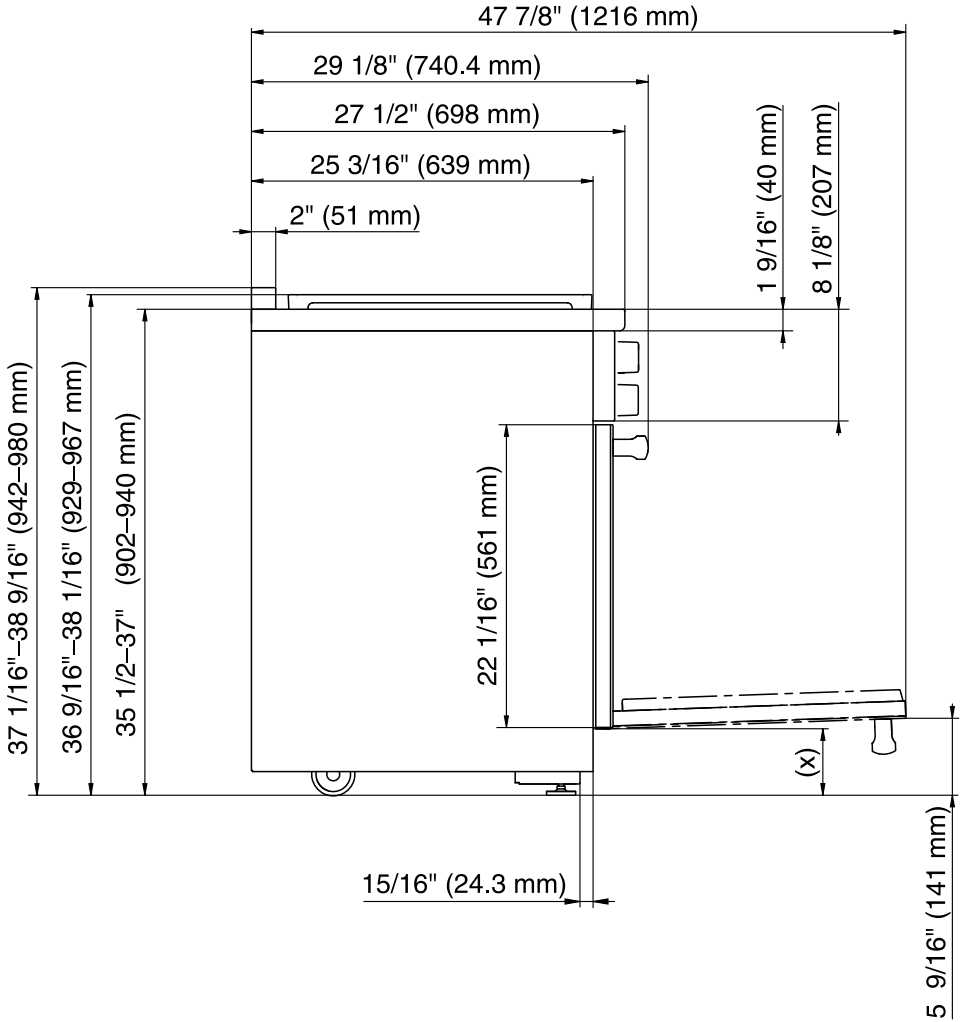
Position	Dimensions	Description	
Ⓐ	min. 36" (915 mm)	Niche width Please contact Miele Technical Service for more information.	
Ⓑ	37" (940 mm)	Minimum distance between the top of the cooking area and the bottom of an unprotected combustible surface.	
	30" (762 mm)	Minimum distance between the top of the cooking area and the bottom of the Miele Range Hood (DAR model with DRxB XL or DRxB XXL blower).	
	Refer to the Installation instructions for the Miele ventilation hood, Appliance dimensions (Distance between cooktop and ventilation hood (S)). For all other hoods please consult the manufacturer's specifications for required distances.		
Ⓒ	approx. 13 1/16" (332.5 mm)	Maximum connection width right and left	Position of the wall socket
Ⓓ	approx. 4 1/2" (115 mm)	Maximum connection height	
Ⓔ	approx. 2 13/16" (72 mm)	Maximum connection depth	

Please observe safe distances to rear combustible surfaces of 12" (305 mm) clearance. For zero clearance installation the Miele Backguards will satisfy the required distance to combustible surfaces. The Miele Backguard is available in 12" (305 mm) or 20" (508 mm) heights.

All Gas Range dimensions

Detailed views of HR 1124

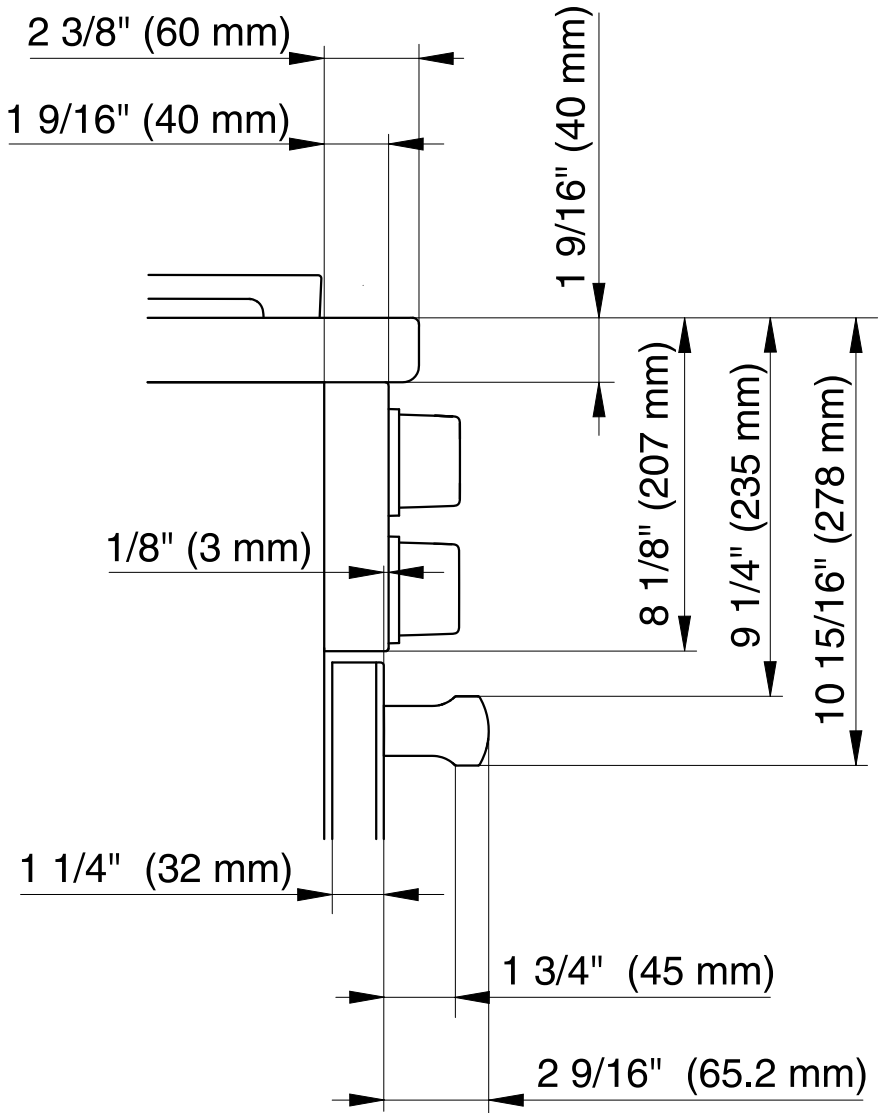
Side view of HR 1124



(x) = Depending on the appliance height adjustment: 5 " - $6 \frac{1}{2}$ " (127 mm - 165.1 mm)

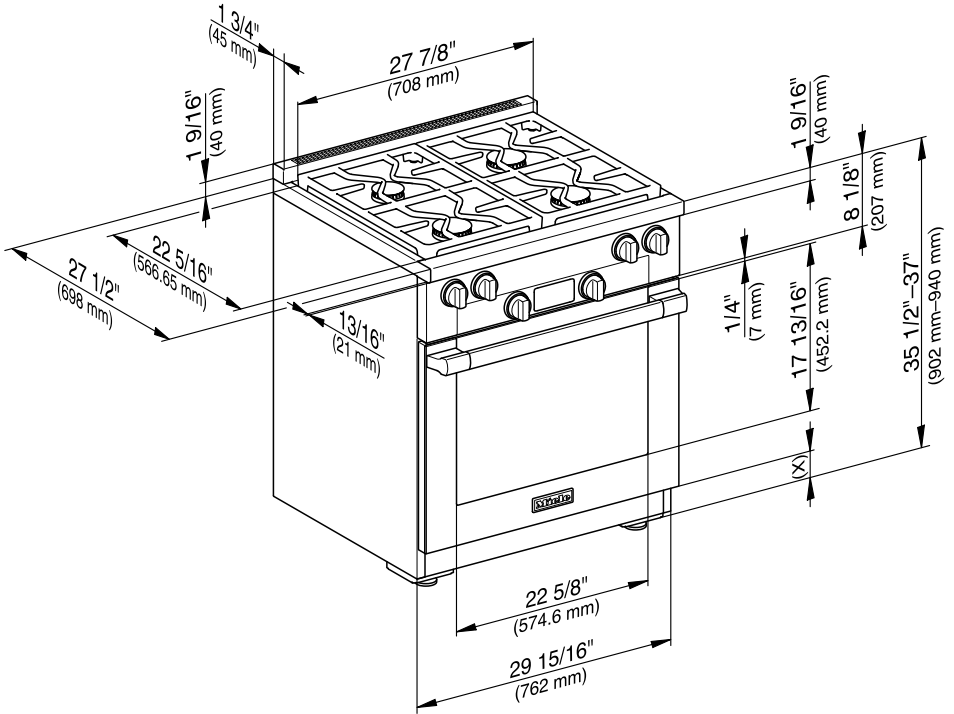
All Gas Range dimensions

Detailed front side view of HR 1124



All Gas Range dimensions

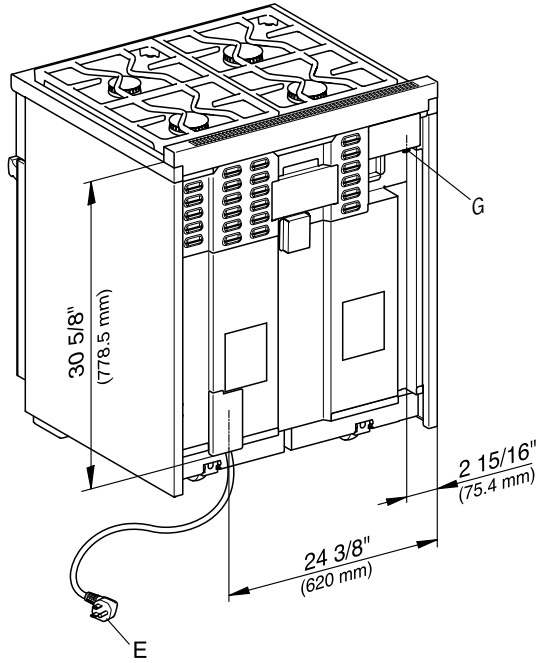
Front side view of HR 1124



(x) = Depending on the appliance height adjustment: 5" - 6 1/2" (127 mm - 165.1 mm)

All Gas Range dimensions

Rear view of HR 1124



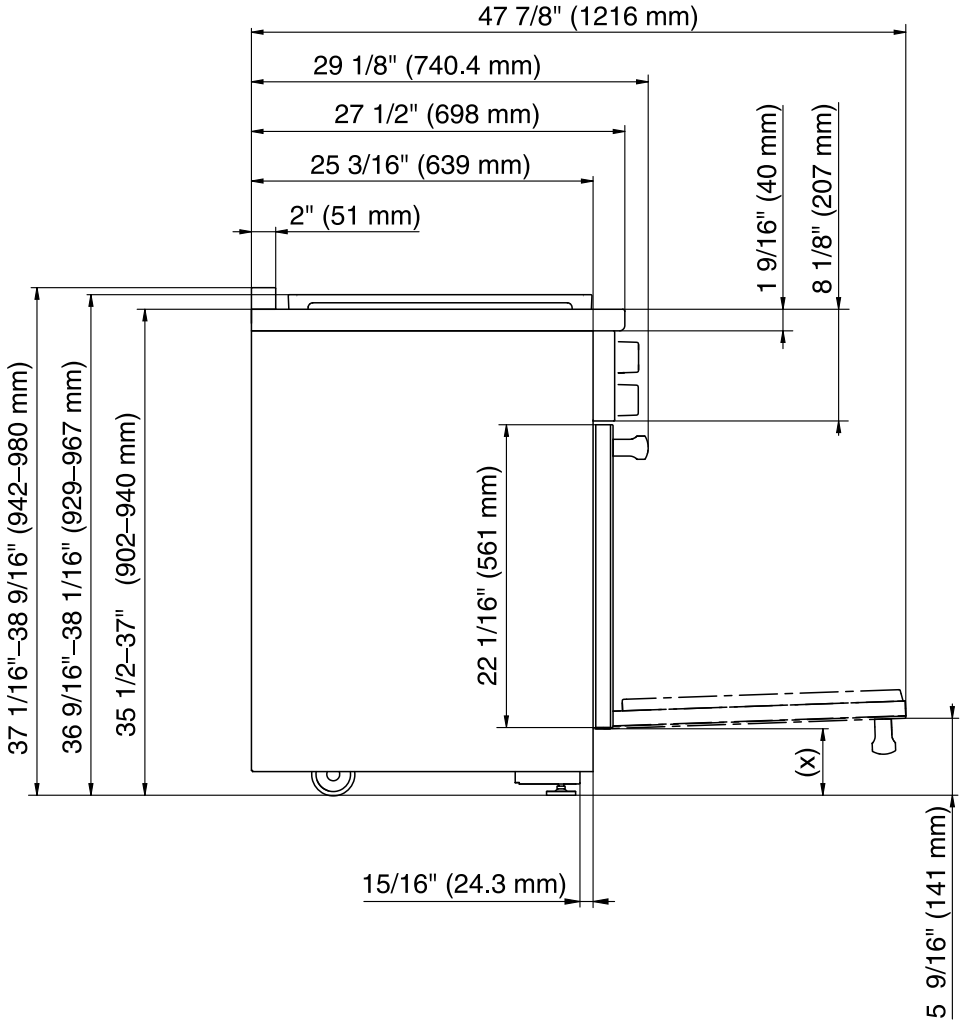
E = Electrical connection

G = Gas connection

All Gas Range dimensions

Detailed views of HR 1134-1

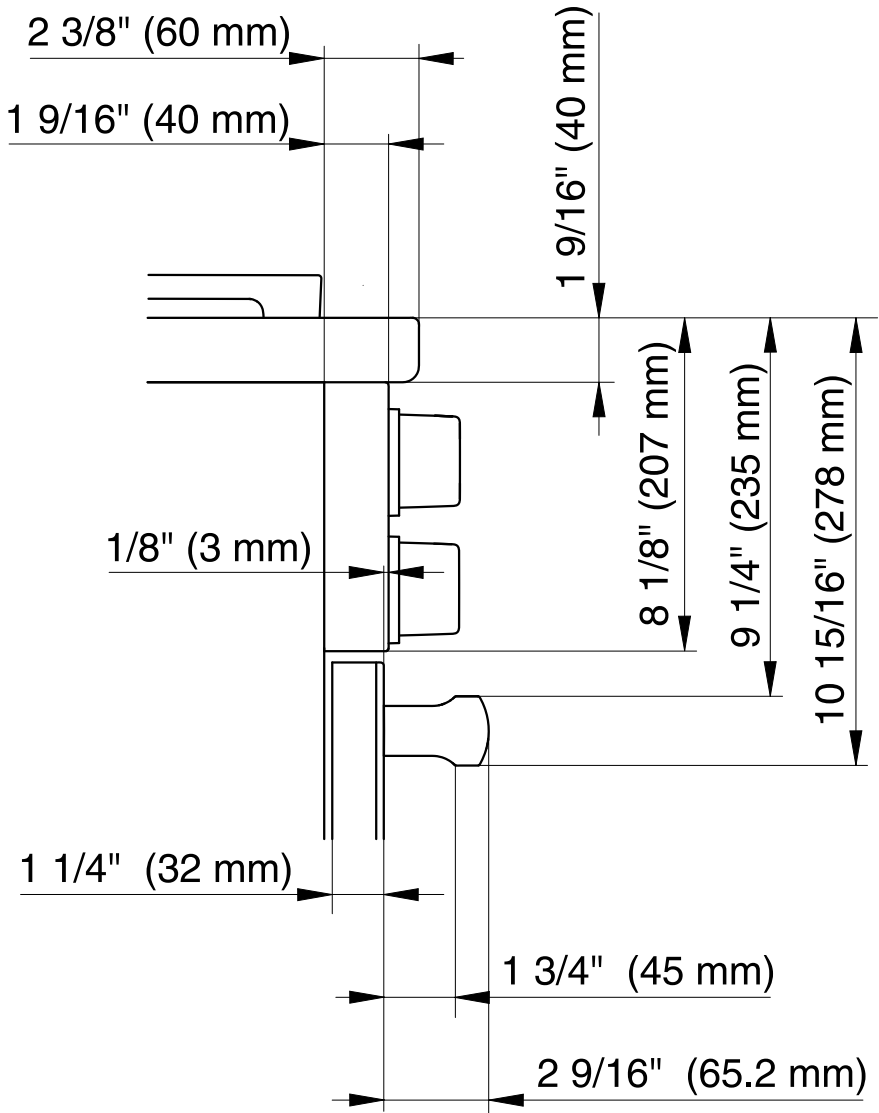
Side view of HR 1134-1



(x) = Depending on the appliance height adjustment: 5" - 6 1/2" (127 mm - 165.1 mm)

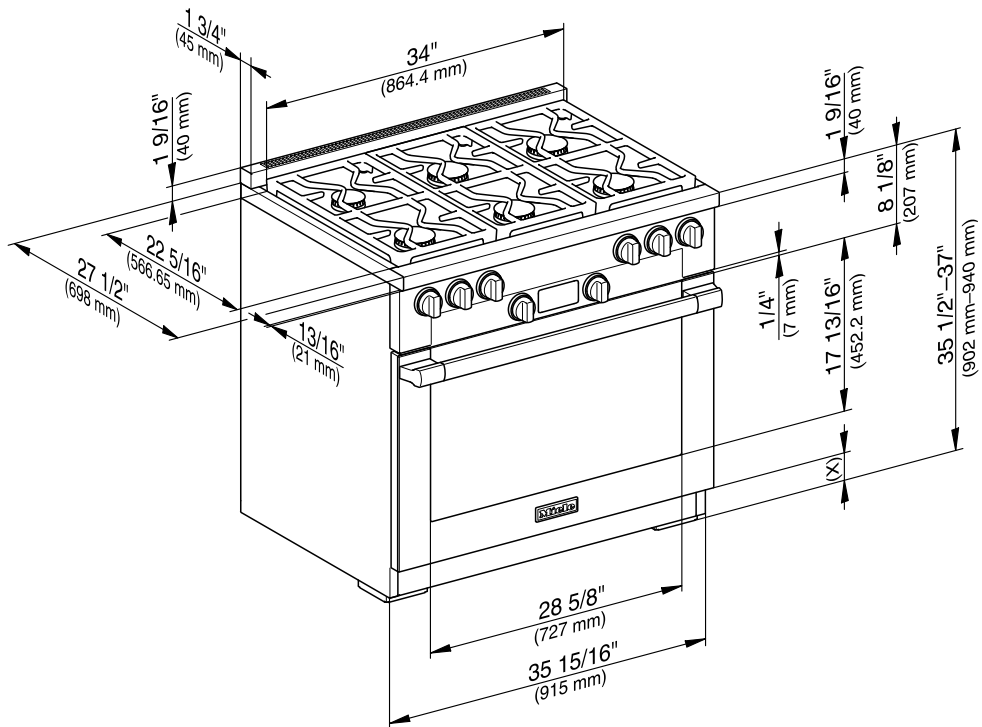
All Gas Range dimensions

Detailed front side view of HR 1134-1



All Gas Range dimensions

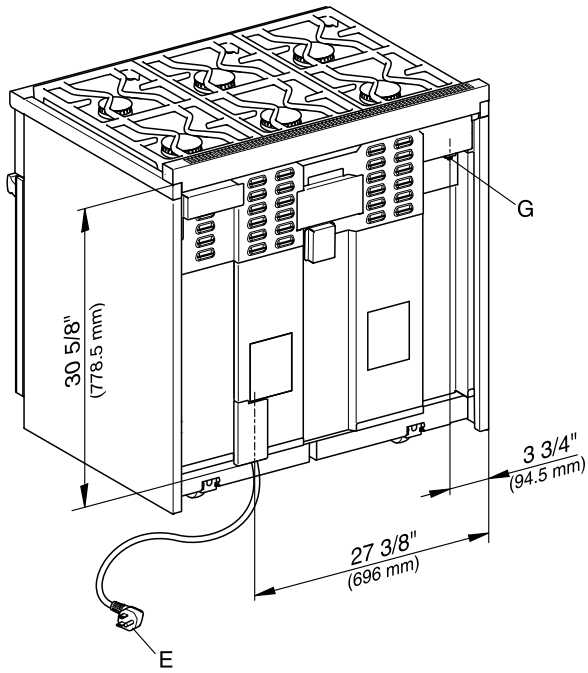
Front view of HR 1134-1



(x) = Depending on the appliance height adjustment: 5" - 6 1/2" (127 mm - 165.1 mm)

All Gas Range dimensions

Rear view of HR 1134-1



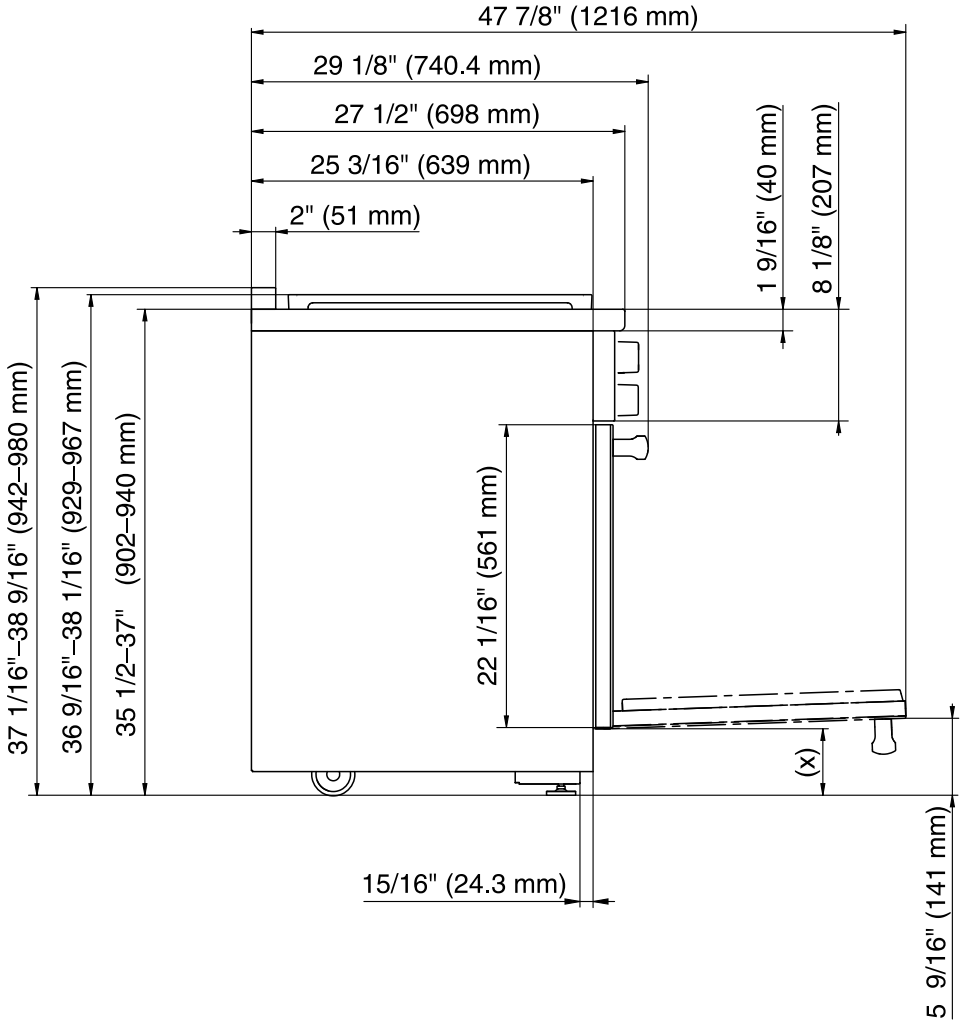
E = Electrical connection

G = Gas connection

All Gas Range dimensions

Detailed views of HR 1135-1

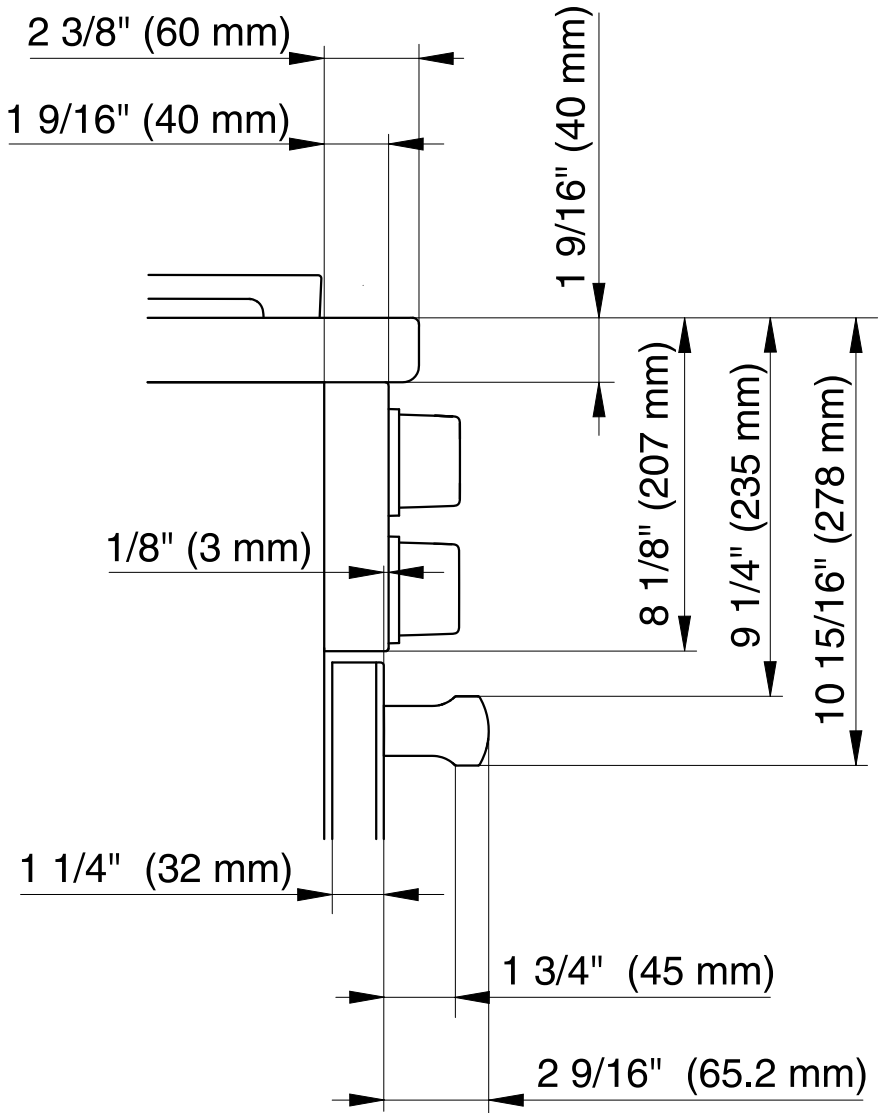
Side view of HR 1135-1



(x) = Depending on the appliance height adjustment: 5 " - $6 \frac{1}{2}$ " (127 mm - 165.1 mm)

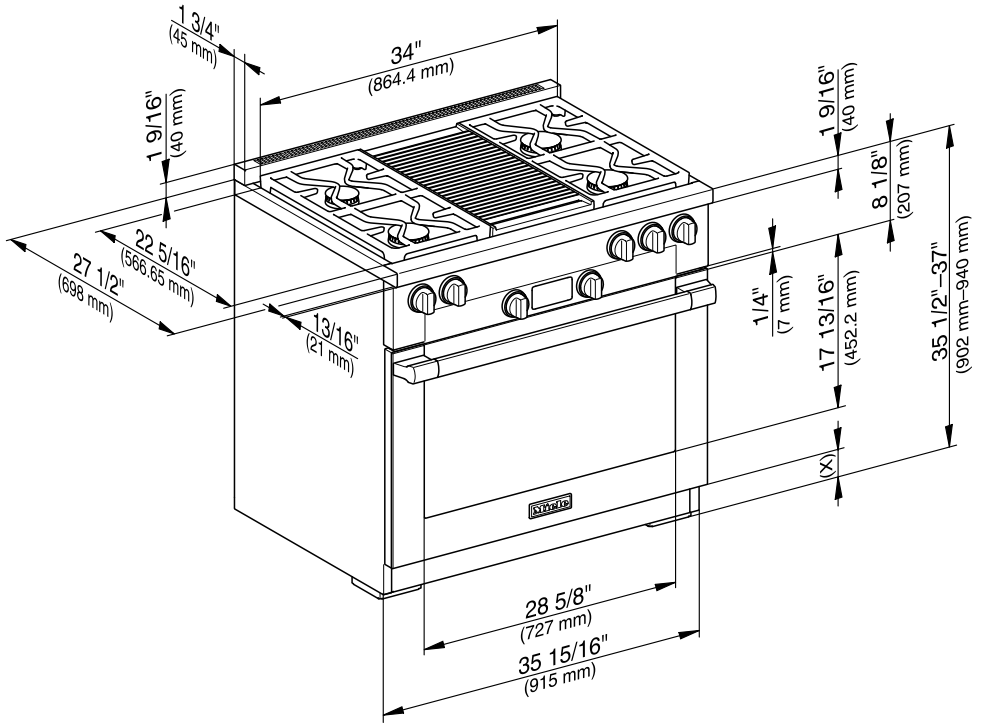
All Gas Range dimensions

Detailed front side view of HR 1135-1



All Gas Range dimensions

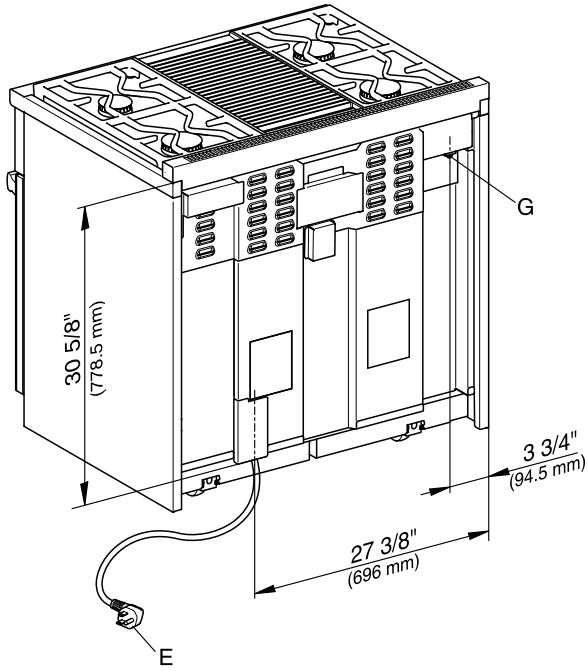
Front view of HR 1135-1



(x) = Depending on the appliance height adjustment: 5" - 6 1/2" (127 mm - 165.1 mm)

All Gas Range dimensions

Rear view of HR 1135-1



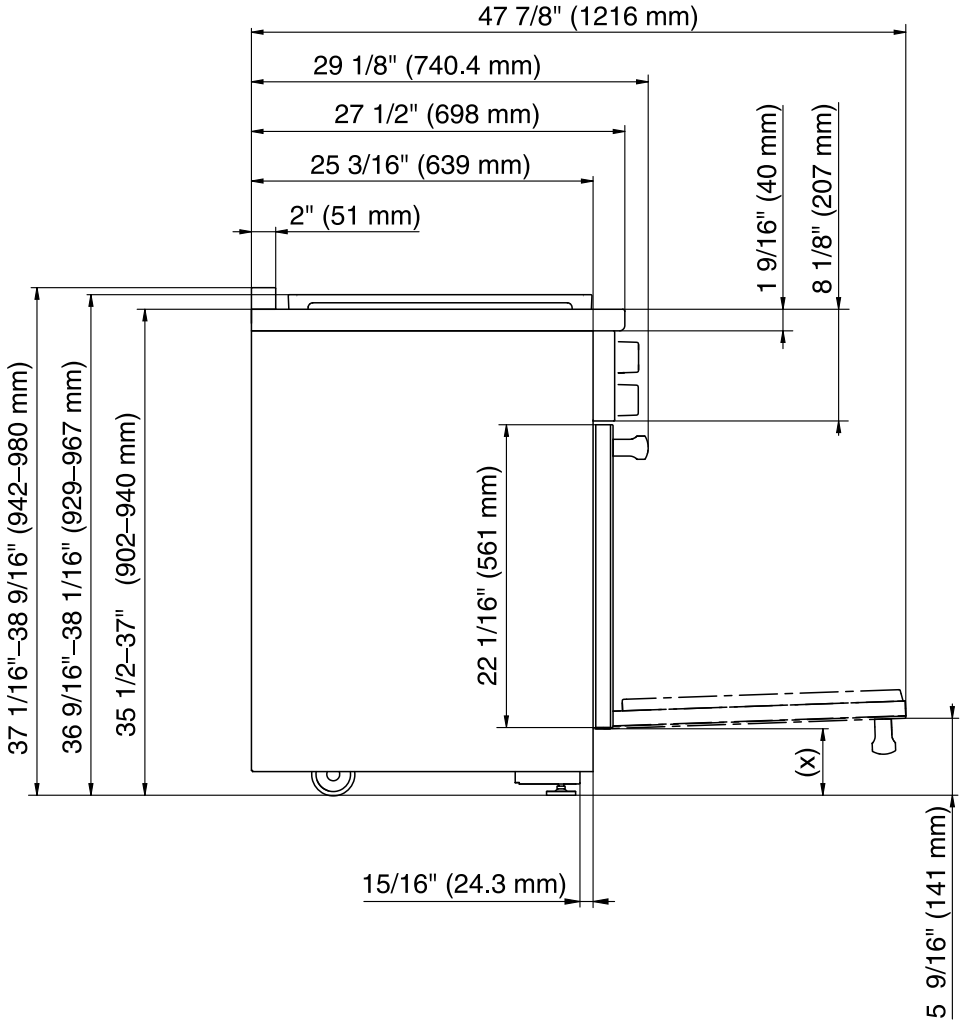
E = Electrical connection

G = Gas connection

All Gas Range dimensions

Detailed views of HR 1136-1

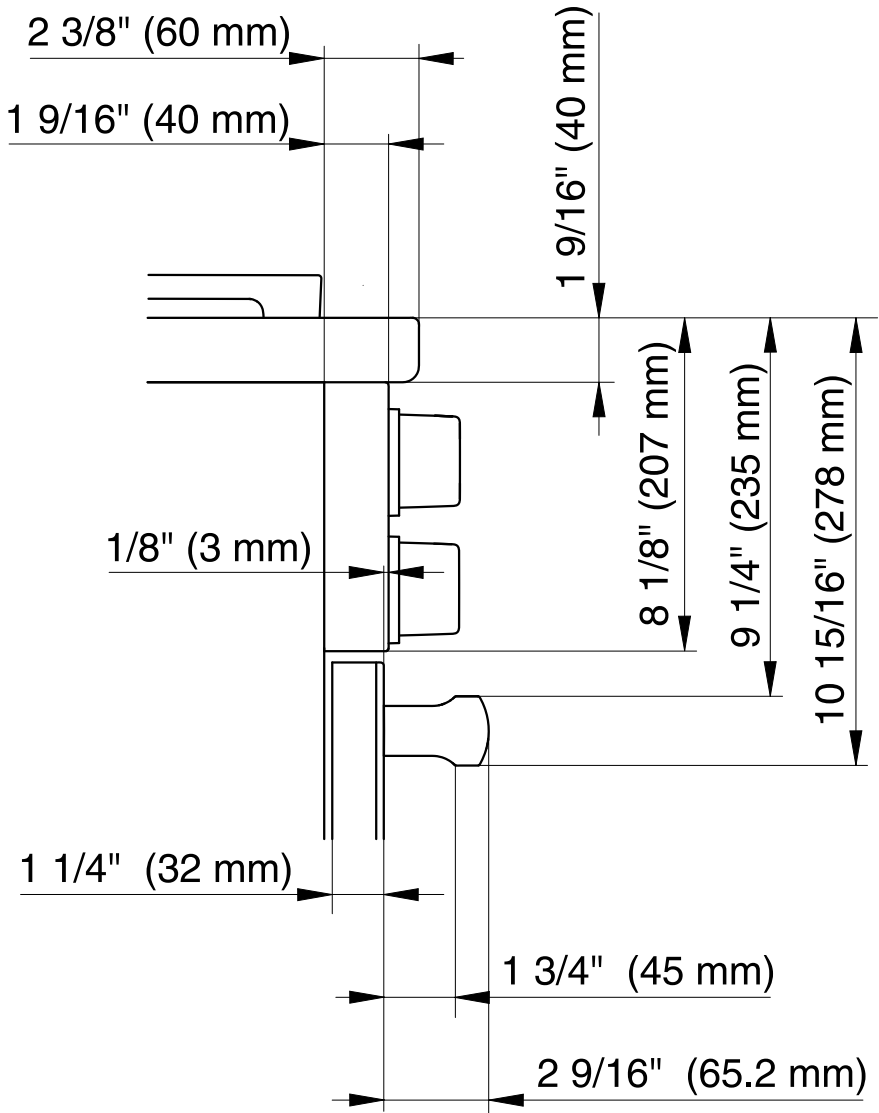
Side view of HR 1136-1



(x) = Depending on the appliance height adjustment: 5" - 6 1/2" (127 mm - 165.1 mm)

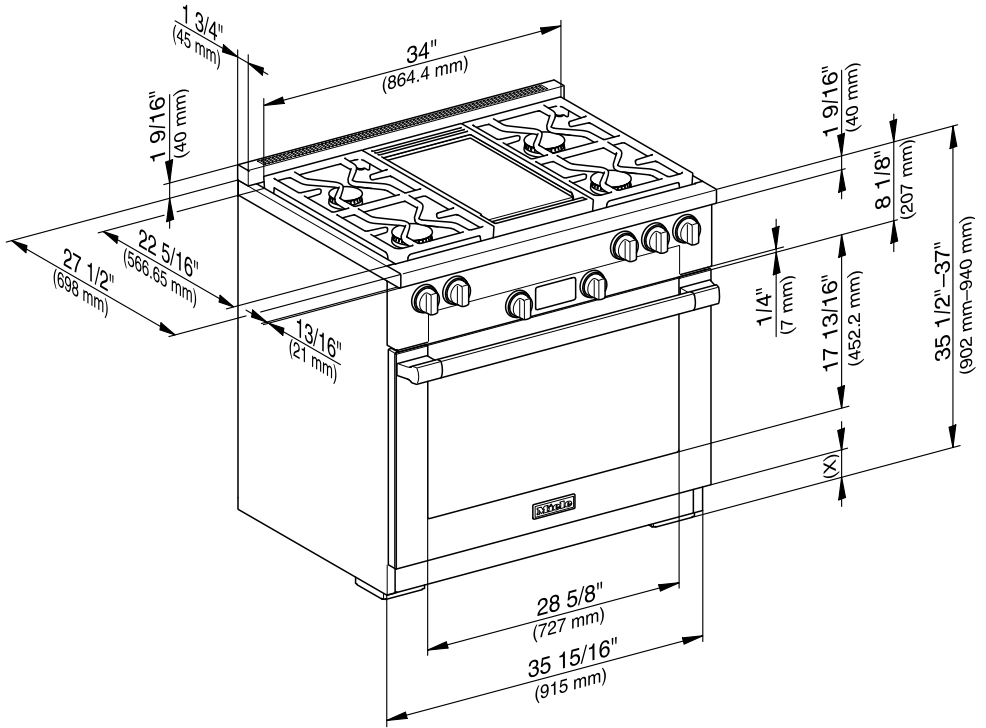
All Gas Range dimensions

Detailed front side view of HR 1136-1



All Gas Range dimensions

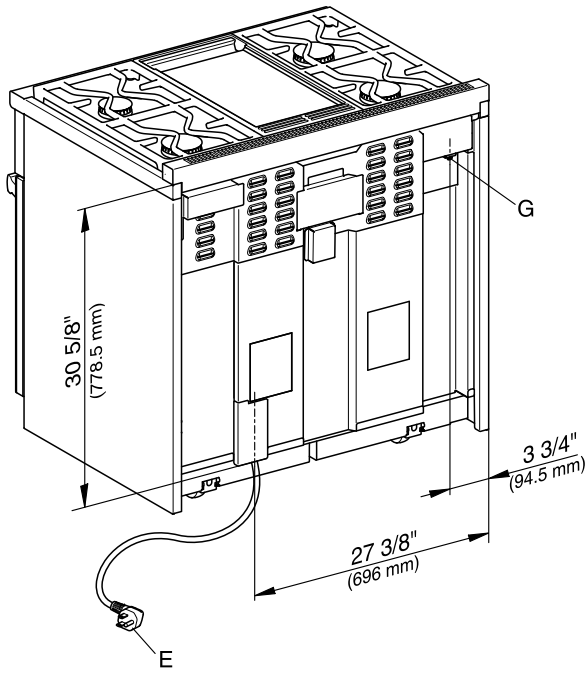
Front view of HR 1136-1



(x) = Depending on the appliance height adjustment: 5" - 6 1/2" (127 mm - 165.1 mm)

All Gas Range dimensions

Rear view of HR 1136-1



E = Electrical connection

G = Gas connection

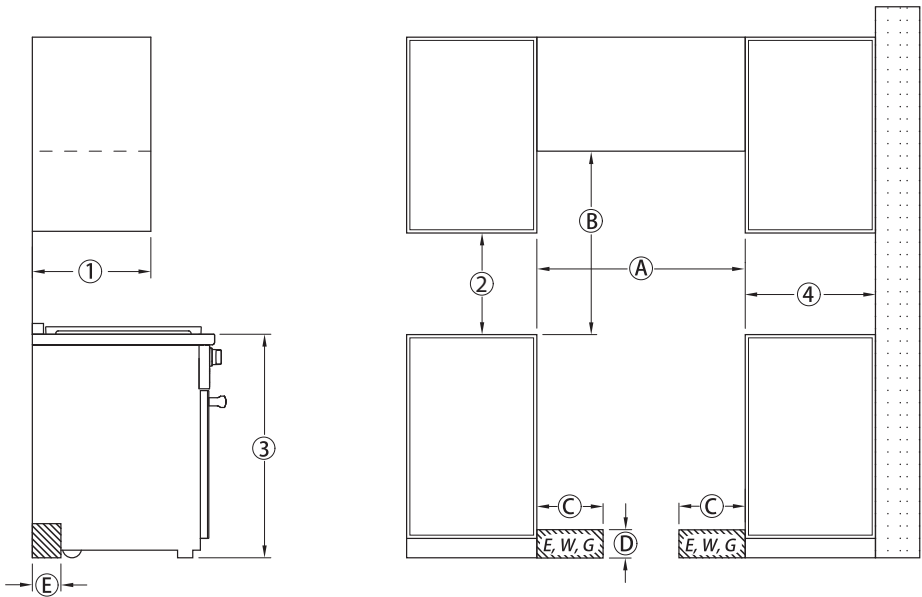
Dual Fuel Range dimensions

Position	Dimensions	Description	
Ⓐ	min. 30" (762 mm)	Niche width Please contact Miele Technical Service for more information.	
Ⓑ	37" (940 mm)	Minimum distance between the top of the cooking area and the bottom of an unprotected combustible surface.	
	30" (762 mm)	Minimum distance between the top of the cooking area and the bottom of the Miele Range Hood (DAR model with DRxB XL or DRxB XXL blower).	
	Refer to the Installation instructions for the Miele ventilation hood, Appliance dimensions (Distance between cooktop and ventilation hood (S)). For all other hoods please consult the manufacturer's specifications for required distances.		
Ⓒ	approx. 10 1/16" (256 mm)	Maximum connection width right and left	Position of the wall socket
Ⓓ	approx. 4 1/2" (115 mm)	Maximum connection height	
Ⓔ	approx. 2 13/16" (72 mm)	Maximum connection depth	

Please observe safe distances to rear combustible surfaces of 12" (305 mm) clearance. For zero clearance installation the Miele Backguards will satisfy the required distance to combustible surfaces. The Miele Backguard is available in 12" (305 mm) or 20" (508 mm) heights.

Dual Fuel Range dimensions

Dual Fuel Range HR 1924-2



©, D, E The shaded area represents the installation area for the connections:
 E = Electrical connection, W = Plumbed water connection, G = Gas connection

Position	Dimensions	Description
①	13" (330 mm)	Maximum depth of top cabinet
②	18" (457 mm)	Minimum distance to bottom edge of top cabinet
③	35 1/2"-37" (901-940 mm)	Distance from the floor to cooktop surface
④	10" (254 mm)	Minimum distance to combustibles.

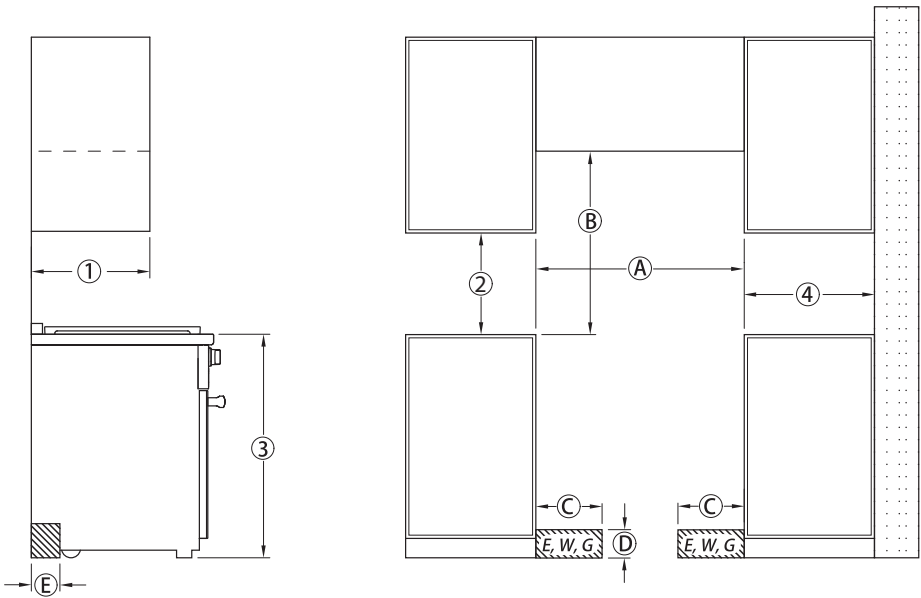
Dual Fuel Range dimensions

Position	Dimensions	Description	
Ⓐ	min. 30" (762 mm)	Niche width Please contact Miele Technical Service for more information.	
Ⓑ	37" (940 mm)	Minimum distance between the top of the cooking area and the bottom of an unprotected combustible surface.	
	30" (762 mm)	Minimum distance between the top of the cooking area and the bottom of the Miele Range Hood (DAR model with DRxB XL or DRxB XXL blower).	
	Refer to the installation instructions for the Miele Range Hood, Appliance dimensions (Distance between cooktop and ventilation hood (S)). For all other hoods please consult the manufacturer's specifications for required distances.		
Ⓒ	approx. 10 1/16" (256 mm)	Maximum connection width right and left	Position of the wall socket
Ⓓ	approx. 4 1/2" (115 mm)	Maximum connection height	
Ⓔ	approx. 2 13/16" (72 mm)	Maximum connection depth	

Please observe a safe clearance distance of at least 12" (305 mm) from combustible surfaces located behind the appliance. For zero clearance installation the Miele Backguards will satisfy the required distance to combustible surfaces. The Miele Backguard is available in 12" (305 mm) or 20" (508 mm) heights.

Dual Fuel Range dimensions

Dual Fuel Range HR 1934-2, HR 1935-2, HR 1936-2



©, D, E The shaded area represents the installation area for the connections:
 E = Electrical connection, W = Plumbed water connection, G = Gas connection

Position	Dimensions	Description
①	13" (330 mm)	Maximum depth of top cabinet
②	18" (457 mm)	Minimum distance to bottom edge of top cabinet
③	35 1/2"-37" (901-940 mm)	Distance from the floor to cooktop surface
④	10" (254 mm)	Minimum distance to combustible surfaces.

Dual Fuel Range dimensions

HR 1934-2

Position	Dimensions	Description	
Ⓐ	min. 36" (915 mm)	Niche width Please contact Miele Technical Service for more information.	
Ⓑ	37" (940 mm)	Minimum distance between the top of the cooking area and the bottom of an unprotected combustible surface.	
	36" (915 mm)	Minimum distance between the top of the cooking area and the bottom of the Miele Range Hood (DAR model with DRxB XL blower).	
	30" (762 mm)	Minimum distance between the top of the cooking area and the bottom of the Miele Range Hood (DAR model with DRxB XXL blower).	
	Refer to the installation instructions for the Miele Range Hood, Appliance dimensions (Distance between cooktop and ventilation hood (S)). For all other hoods please consult the manufacturer's specifications for required distances.		
Ⓒ	approx. 13 1/16" (332.5 mm)	Maximum connection width right and left	Position of the wall socket
Ⓓ	approx. 4 1/2" (115 mm)	Maximum connection height	
Ⓔ	approx. 2 13/16" (72 mm)	Maximum connection depth	

Please observe a safe clearance distance of at least 12" (305 mm) from combustible surfaces located behind the appliance. For zero clearance installation the Miele Backguards will satisfy the required distance to combustible surfaces. The Miele Backguard is available in 12" (305 mm) or 20" (508 mm) heights.

Dual Fuel Range dimensions

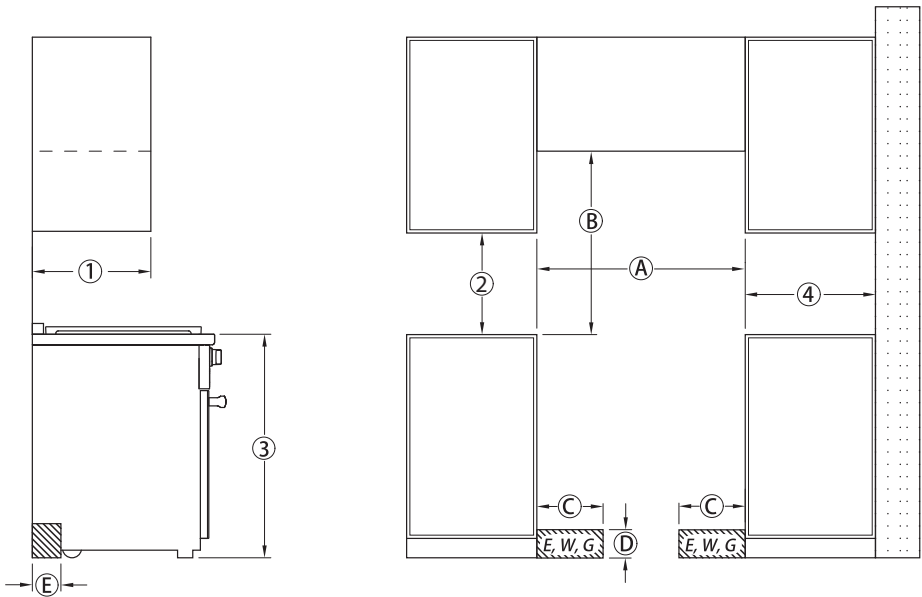
HR 1935-2, HR 1936-2

Position	Dimensions	Description	
Ⓐ	min. 36" (915 mm)	Niche width Please contact Miele Technical Service for more information.	
Ⓑ	37" (940 mm)	Minimum distance between the top of the cooking area and the bottom of an unprotected combustible surface.	
	30" (762 mm)	Minimum distance between the top of the cooking area and the bottom of the Miele Range Hood (DAR model with DRxB XL or DRxB XXL blower).	
	Refer to the installation instructions for the Miele Range Hood, Appliance dimensions (Distance between cooktop and ventilation hood (S)). For all other hoods please consult the manufacturer's specifications for required distances.		
Ⓒ	approx. 13 1/16" (332.5 mm)	Maximum connection width right and left	Position of the wall socket
Ⓓ	approx. 4 1/2" (115 mm)	Maximum connection height	
Ⓔ	approx. 2 13/16" (72 mm)	Maximum connection depth	

Please observe a safe clearance distance of at least 12" (305 mm) from combustible surfaces located behind the appliance. For zero clearance installation the Miele Backguards will satisfy the required distance to combustible surfaces. The Miele Backguard is available in 12" (305 mm) or 20" (508 mm) heights.

Dual Fuel Range dimensions

Dual Fuel Range HR 1954-2, HR 1955-2, HR 1956-2



©, D, E The shaded area represents the installation area for the connections:
 E = Electrical connection, W = Plumbed water connection, G = Gas connection

Position	Dimensions	Description
①	13" (330 mm)	Maximum depth of top cabinet
②	18" (457 mm)	Minimum distance to bottom edge of top cabinet
③	35 1/2"-37" (901-940 mm)	Distance from the floor to cooktop surface
④	10" (254 mm)	Minimum distance to combustable surfaces.

Dual Fuel Range dimensions

HR 1954-2

Position	Dimensions	Description	
Ⓐ	min. 48" (1220 mm)	Niche width Please contact Miele Service for more information.	
Ⓑ	37" (940 mm)	Minimum distance between the top of the cooking area and the bottom of an unprotected combustible surface.	
	36" (915 mm)	Minimum distance between the top of the cooking area and the bottom of the Miele Range Hood (DAR model with DRxB XXL blower).	
	Refer to the installation instructions for the Miele Range Hood, Appliance dimensions (Distance between cooktop and ventilation hood (S)). For all other hoods please consult the manufacturer's specifications for required distances.		
Ⓒ	approx. 19 1/8" (485 mm)	Maximum connection width right and left	Position of the wall socket
Ⓓ	approx. 3 1/2" (90 mm)	Maximum connection height	
Ⓔ	approx. 2 13/16" (72 mm)	Maximum connection depth	

Please observe a safe clearance distance of at least 12" (305 mm) from combustible surfaces located behind the appliance. For zero clearance installation the Miele Backguards will satisfy the required distance to combustible surfaces. The Miele Backguard is available in 12" (305 mm) or 20" (508 mm) heights.

Dual Fuel Range dimensions

HR 1955-2, HR 1956-2

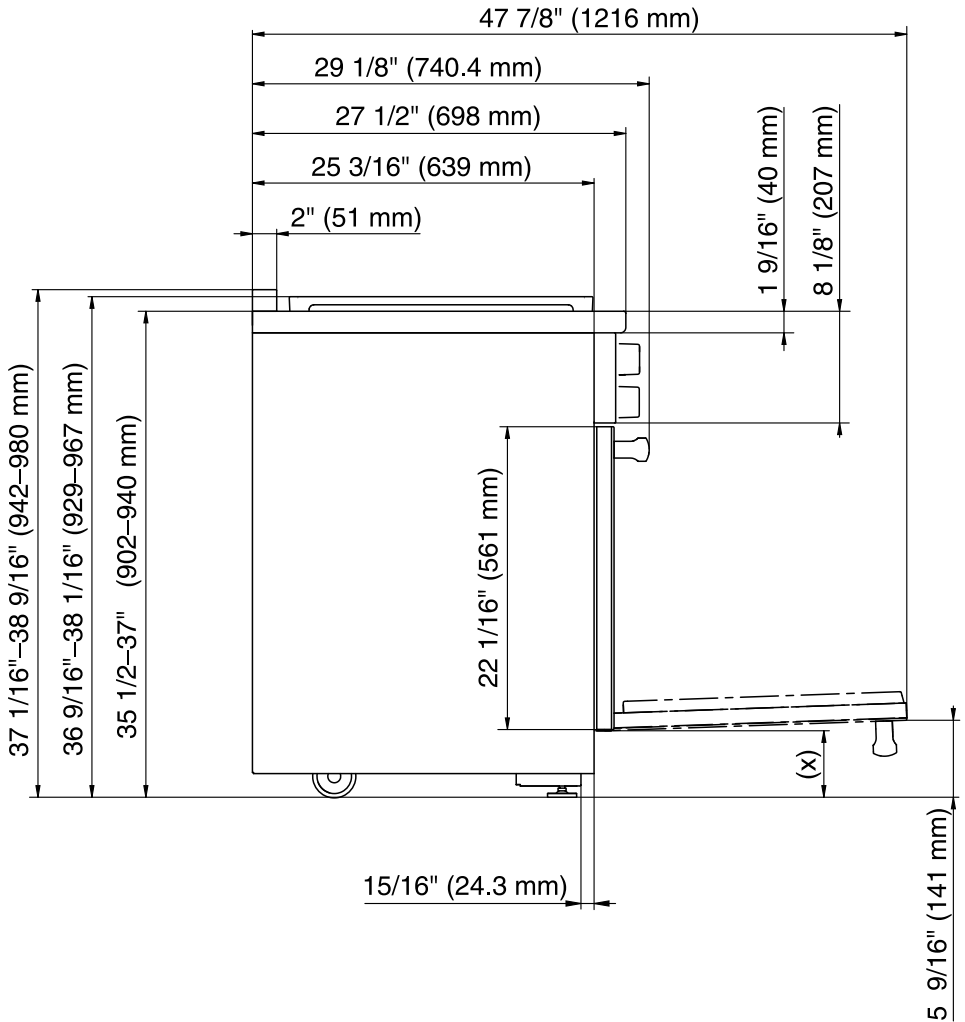
Position	Dimensions	Description	
Ⓐ	min. 48" (1220 mm)	Niche width Please contact Miele Service for more information.	
Ⓑ	37" (940 mm)	Minimum distance between the top of the cooking area and the bottom of an unprotected combustible surface.	
	36" (915 mm)	Minimum distance between the top of the cooking area and the bottom of the Miele Range Hood (DAR model with DRxB XL blower).	
	30" (762 mm)	Minimum distance between the top of the cooking area and the bottom of the Miele Range Hood (DAR model with DRxB XXL blower).	
	Refer to the installation instructions for the Miele Range Hood, Appliance dimensions (Distance between cooktop and ventilation hood (S)). For all other hoods please consult the manufacturer's specifications for required distances.		
Ⓒ	approx. 19 1/8" (485 mm)	Maximum connection width right and left	Position of the wall socket
Ⓓ	approx. 3 1/2" (90 mm)	Maximum connection height	
Ⓔ	approx. 2 13/16" (72 mm)	Maximum connection depth	

Please observe a safe clearance distance of at least 12" (305 mm) from combustible surfaces located behind the appliance. For zero clearance installation the Miele Backguards will satisfy the required distance to combustible surfaces. The Miele Backguard is available in 12" (305 mm) or 20" (508 mm) heights.

Dual Fuel Range dimensions

Detailed views of HR 1724

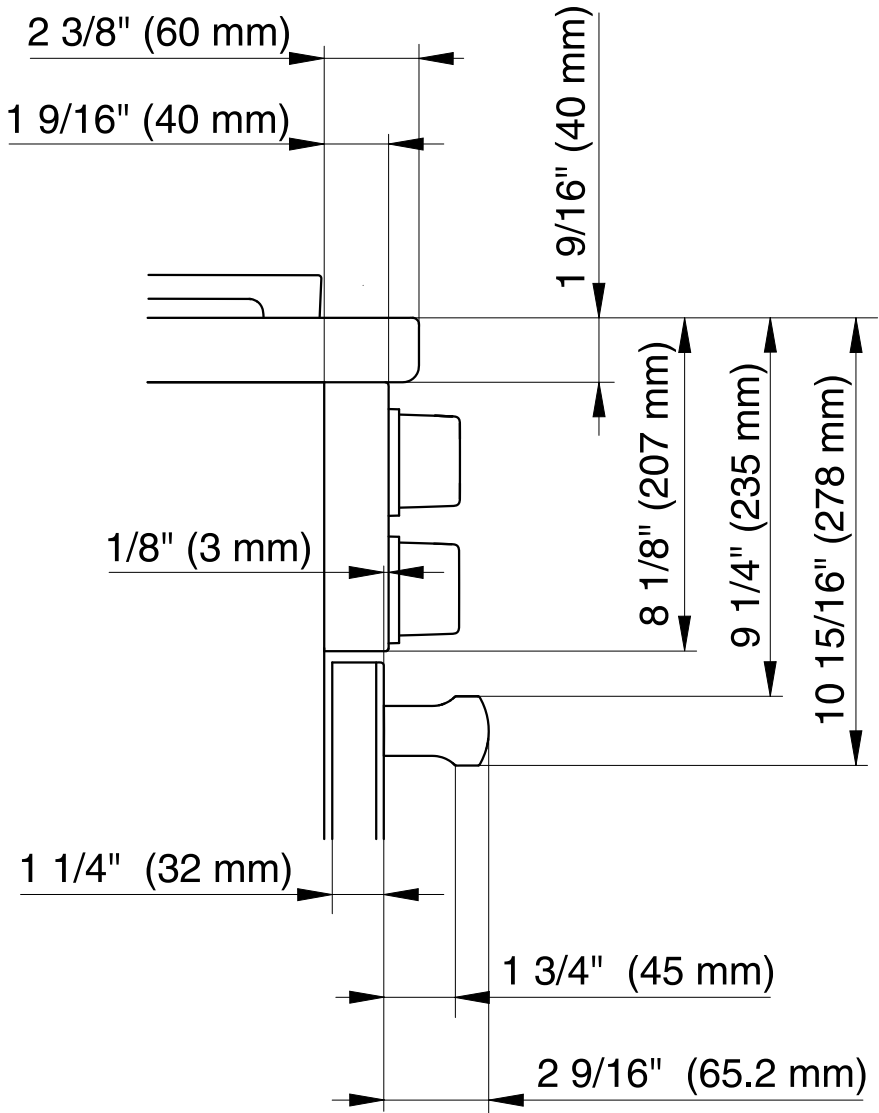
Side view of HR 1724



(x) = Depending on the appliance height adjustment: 5" - 6 1/2" (127 mm - 165.1 mm)

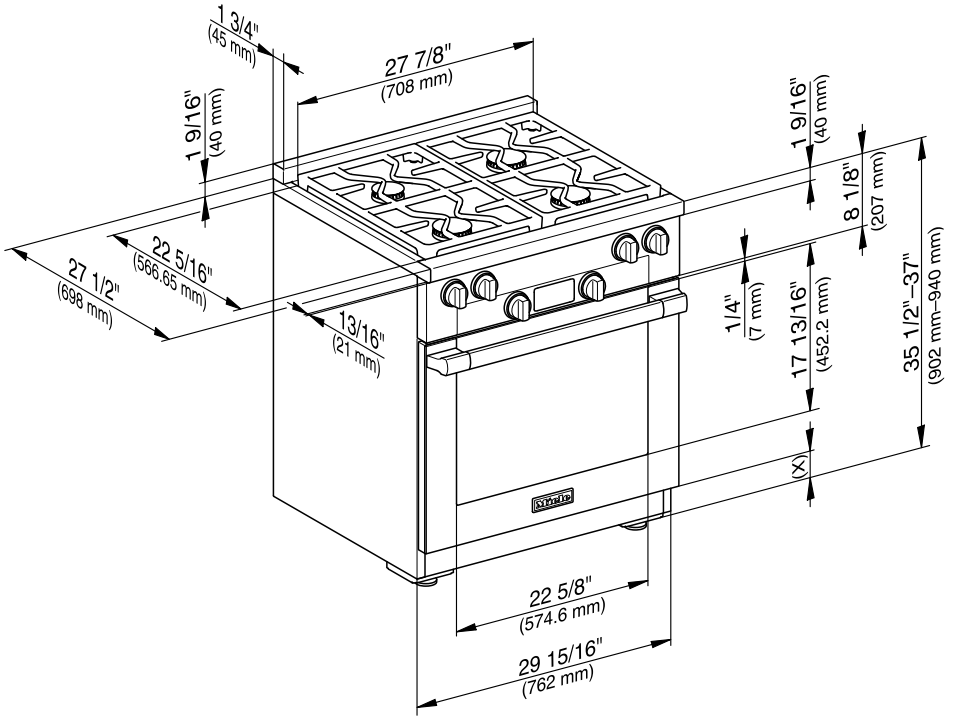
Dual Fuel Range dimensions

Detailed front side view of HR 1724



Dual Fuel Range dimensions

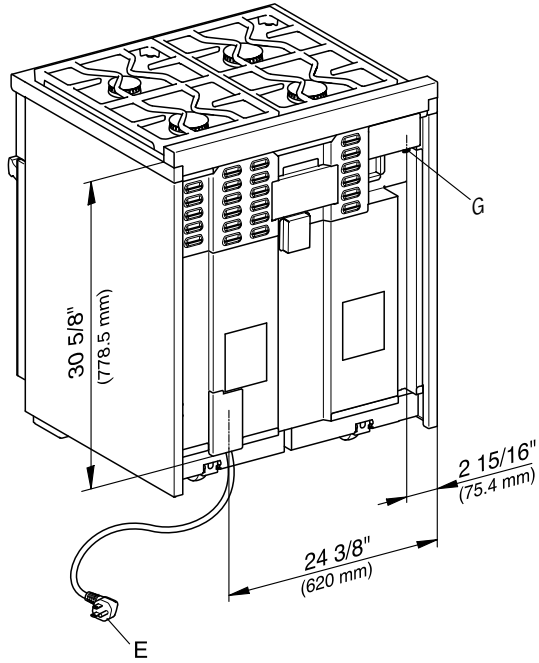
Front side view of HR 1724



(x) = Depending on the appliance height adjustment: 5" - 6 1/2" (127 mm - 165.1 mm)

Dual Fuel Range dimensions

Rear view of HR 1724



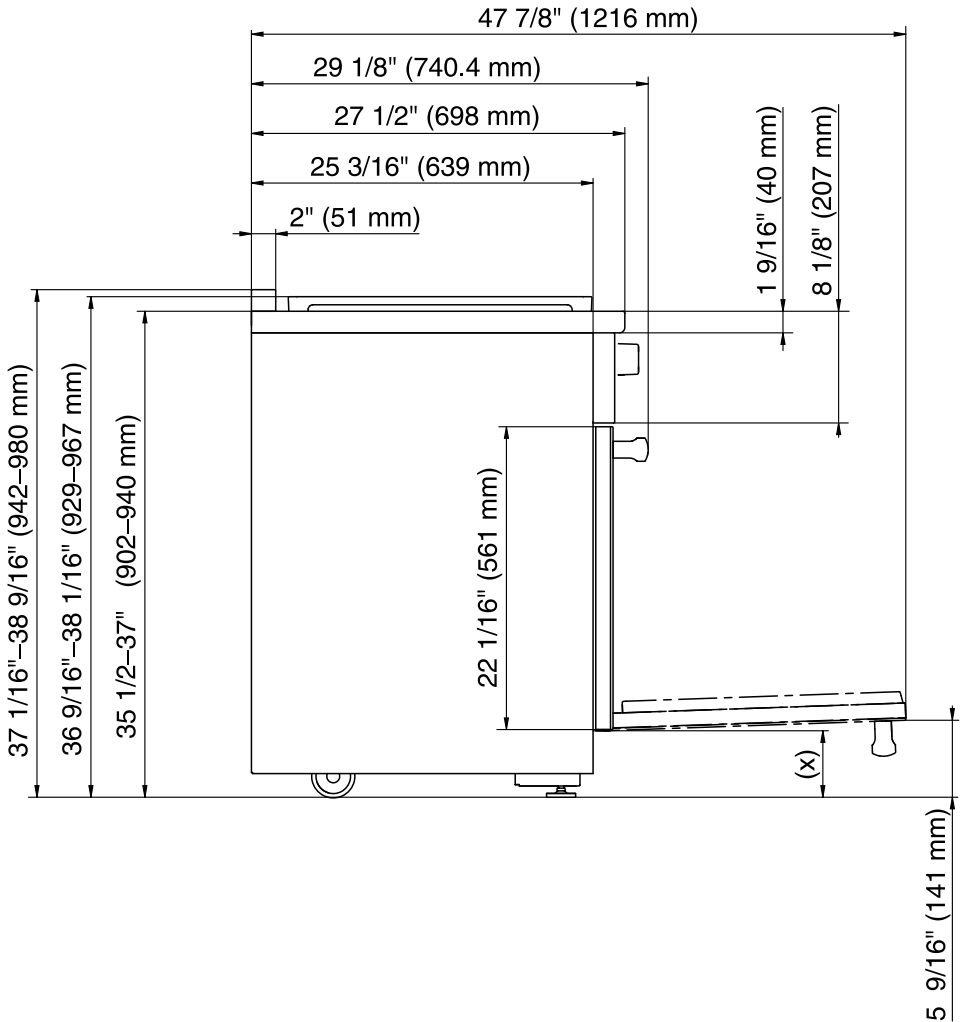
E = Electrical connection

G = Gas connection

Dual Fuel Range dimensions

Detailed views of HR 1924-2

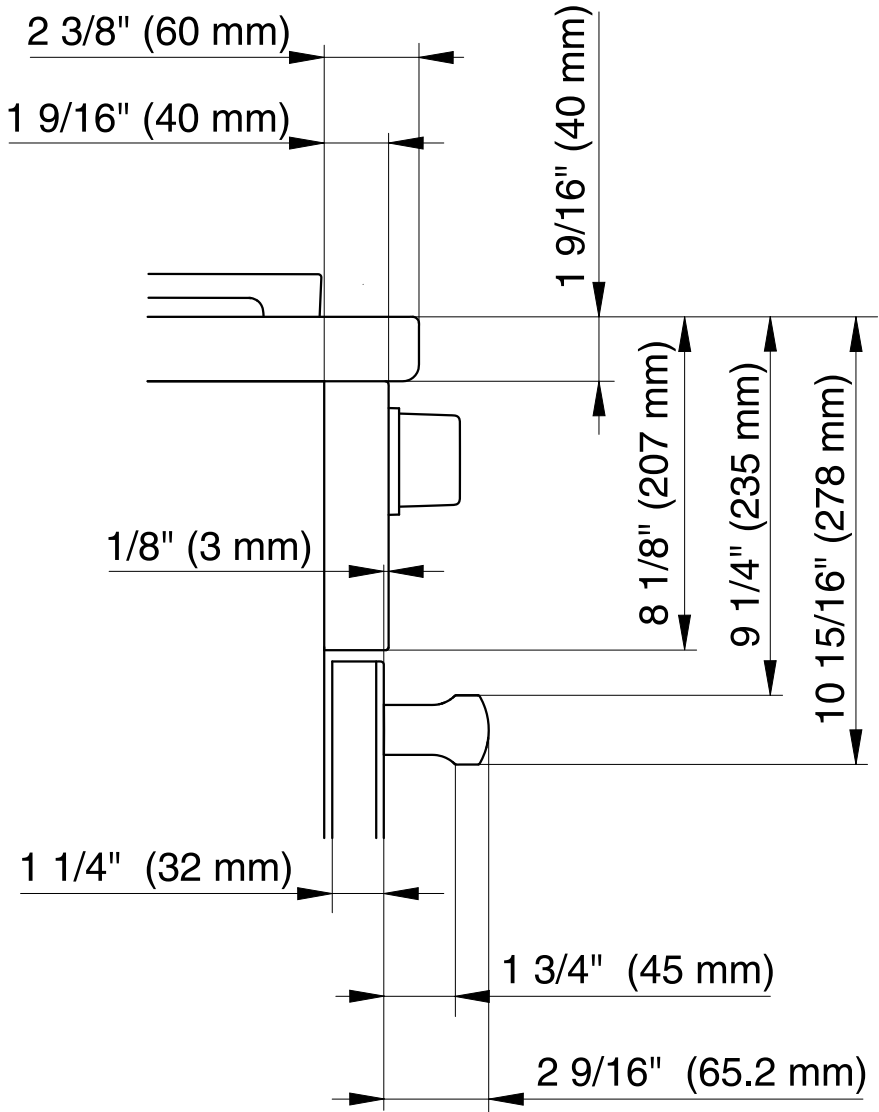
Side view of HR 1924-2



(x) = Depending on the appliance height adjustment: 5 " - $6 \frac{1}{2}$ " (127 mm - 165.1 mm)

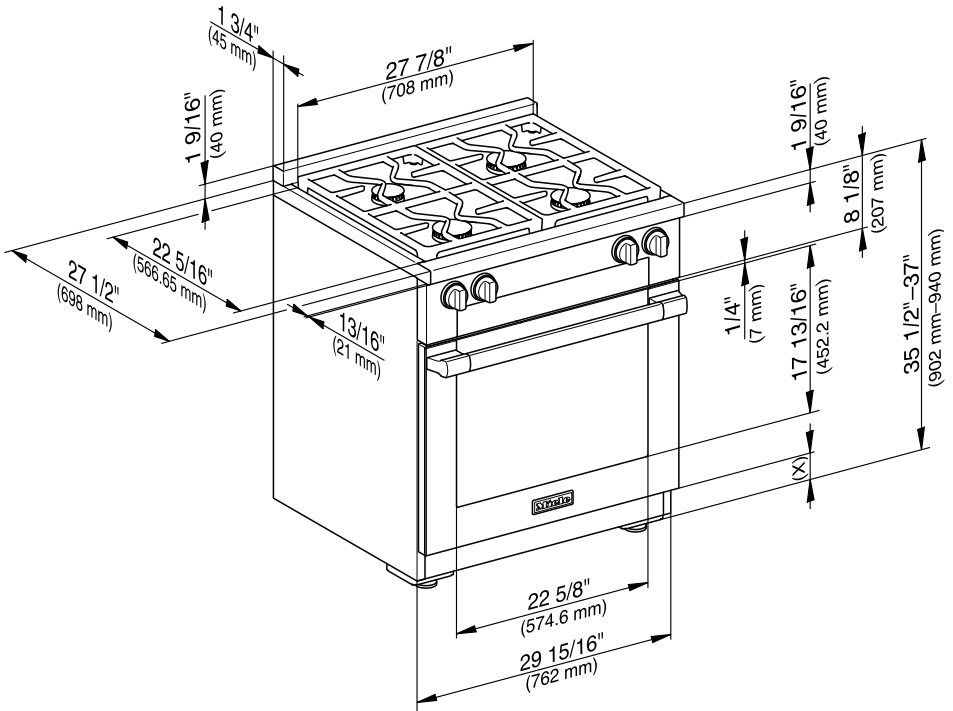
Dual Fuel Range dimensions

Detailed front side view of HR 1924-2



Dual Fuel Range dimensions

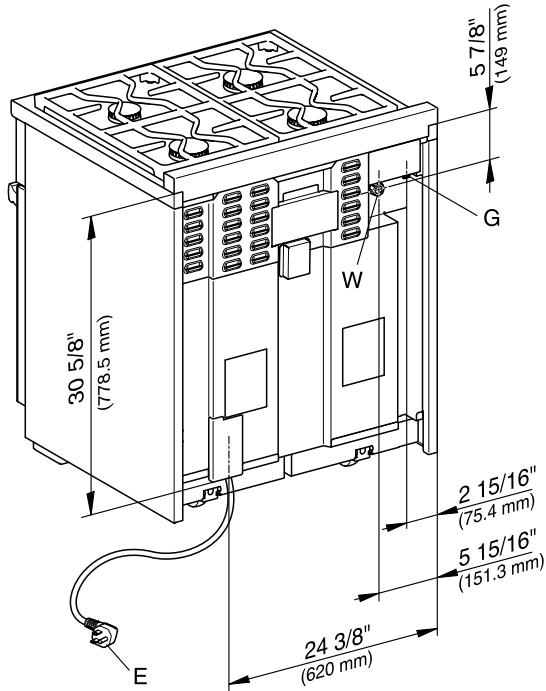
Front view of HR 1924-2



(x) = Depending on the appliance height adjustment: 5" - 6 1/2" (127 mm - 165.1 mm)

Dual Fuel Range dimensions

Rear view of HR 1924-2



E = Electrical connection

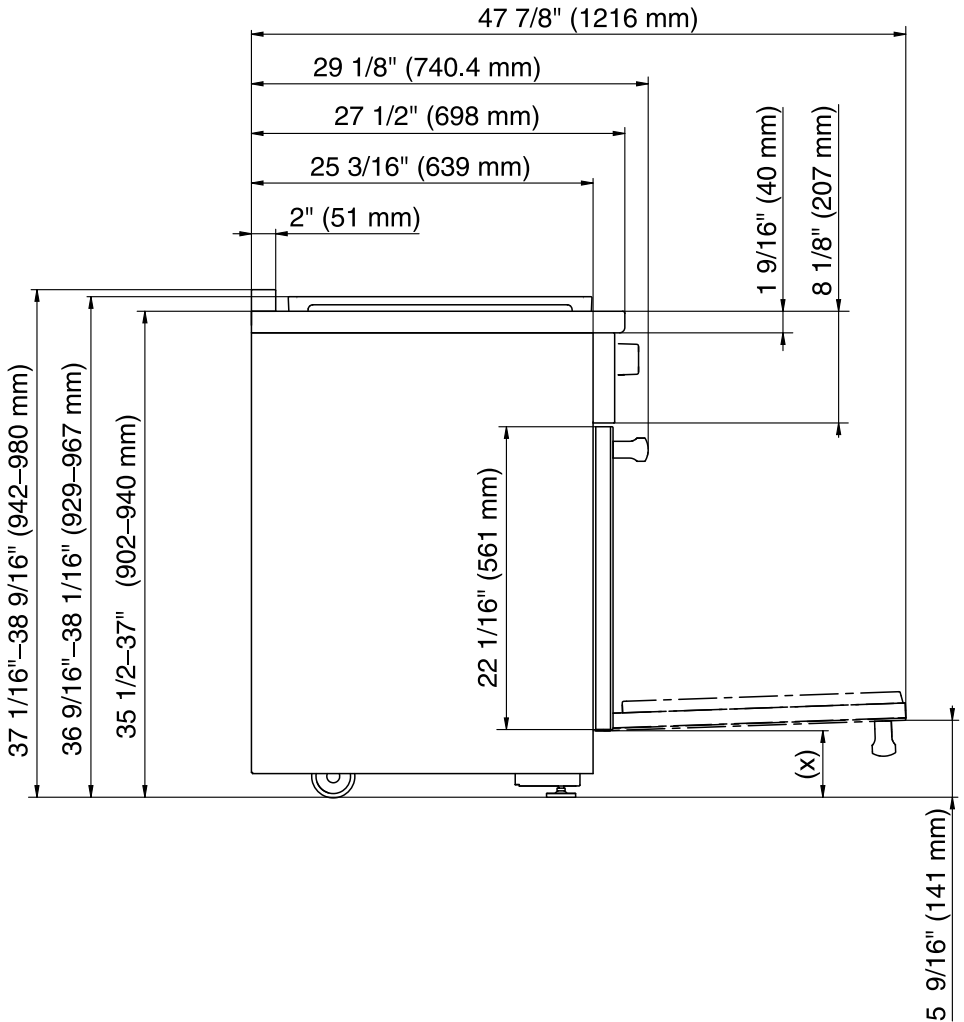
W = Water connection

G = Gas connection

Dual Fuel Range dimensions

Detailed views of HR 1934-2

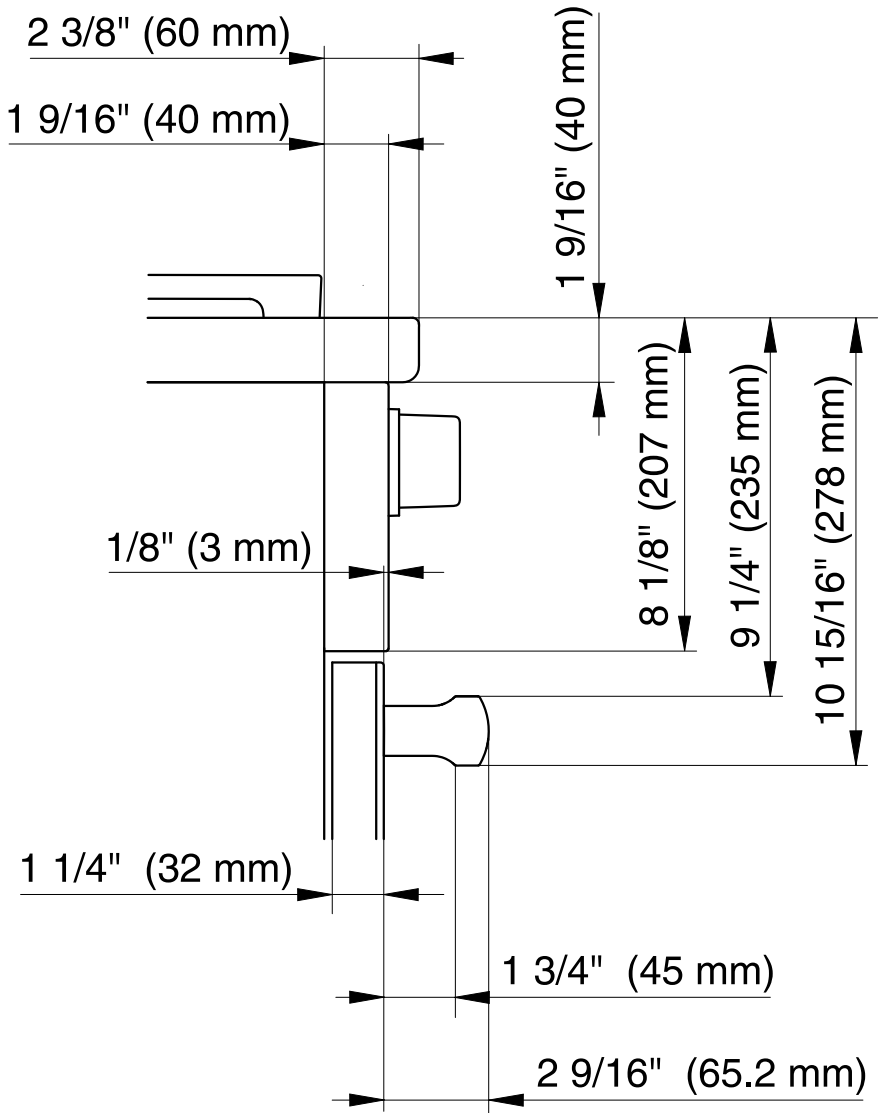
Side view of HR 1934-2



(x) = Depending on the appliance height adjustment: 5" - 6 1/2" (127 mm - 165.1 mm)

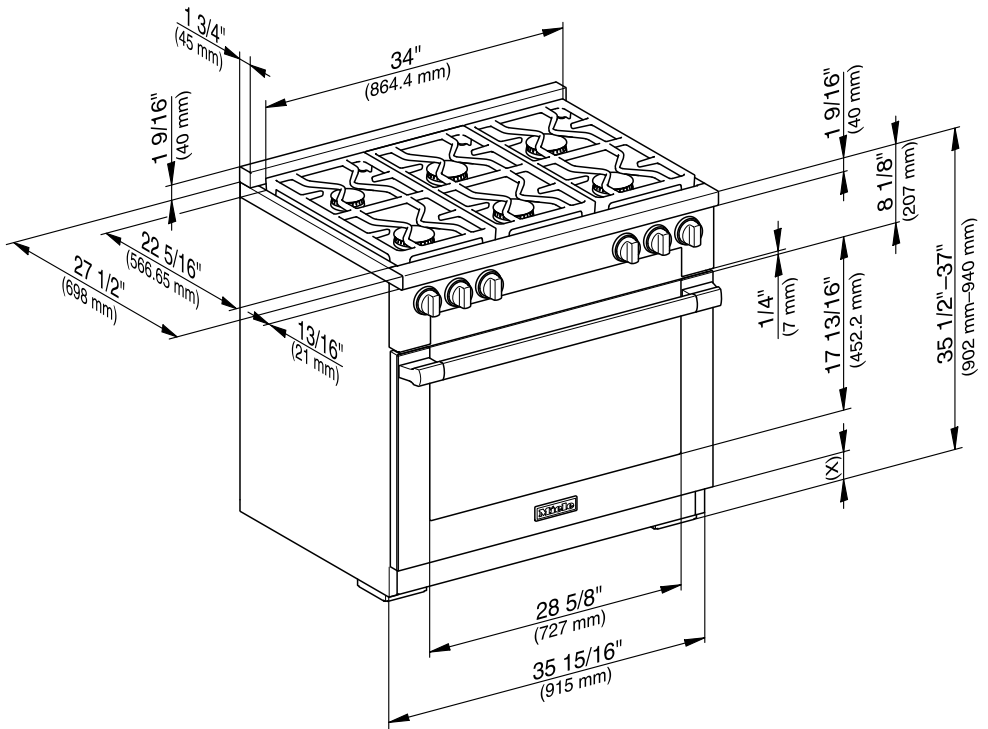
Dual Fuel Range dimensions

Detailed front side view of HR 1934-2



Dual Fuel Range dimensions

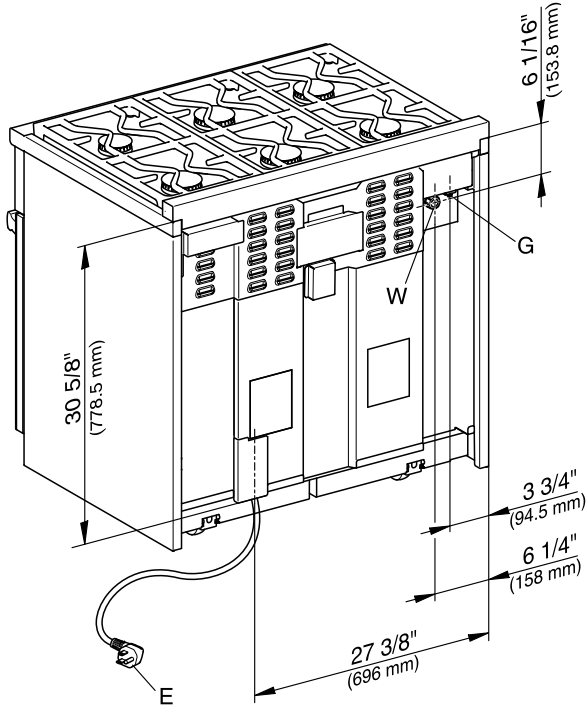
Front view of HR 1934-2



(x) = Depending on the appliance height adjustment: 5" - 6 1/2" (127 mm - 165.1 mm)

Dual Fuel Range dimensions

Rear view of HR 1934-2



E = Electrical connection

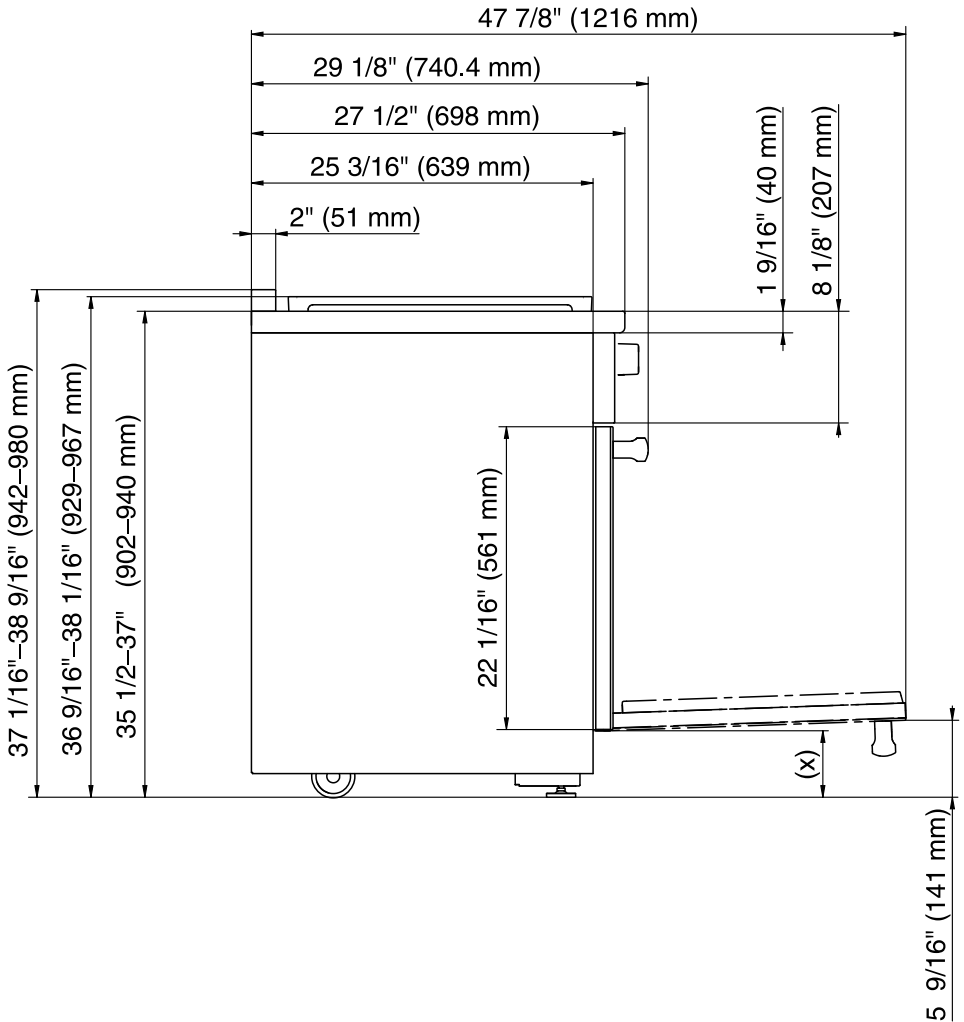
W = Water connection

G = Gas connection

Dual Fuel Range dimensions

Detailed views of HR 1935-2

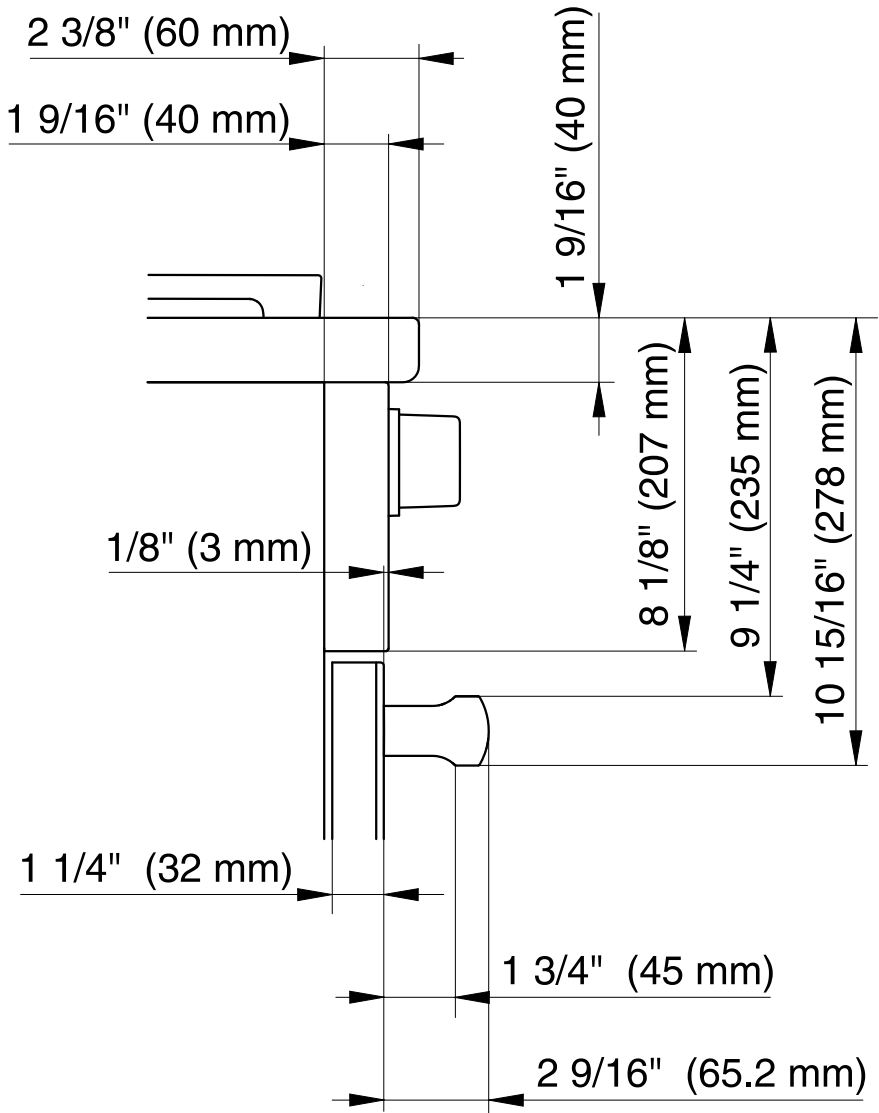
Side view of HR 1935-2



(x) = Depending on the appliance height adjustment: 5" - 6 1/2" (127 mm - 165.1 mm)

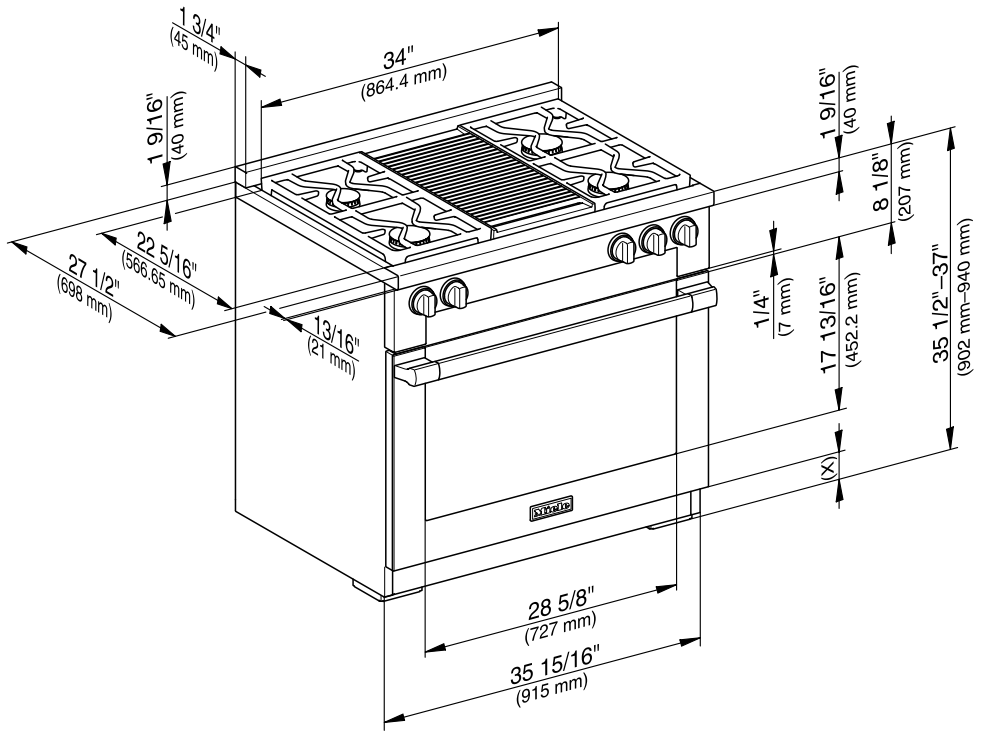
Dual Fuel Range dimensions

Detailed front side view of HR 1935-2



Dual Fuel Range dimensions

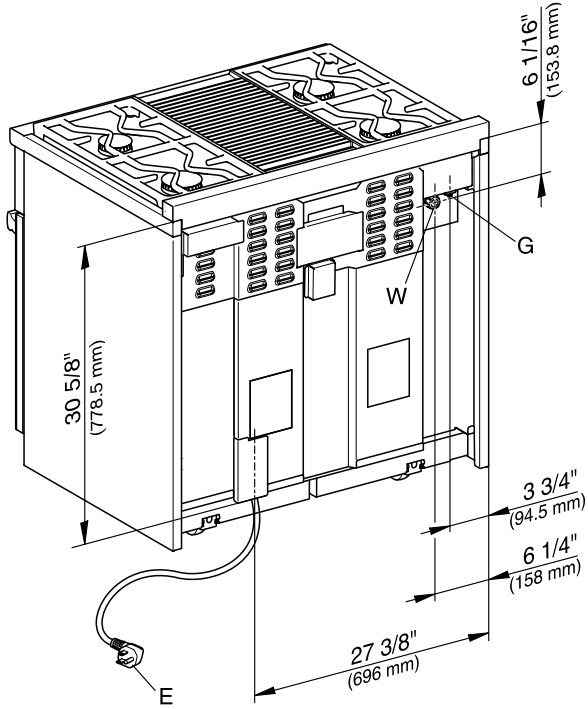
Front view of HR 1935-2



(x) = Depending on the appliance height adjustment: 5" - 6 1/2" (127 mm - 165.1 mm)

Dual Fuel Range dimensions

Rear view of HR 1935-2



E = Electrical connection

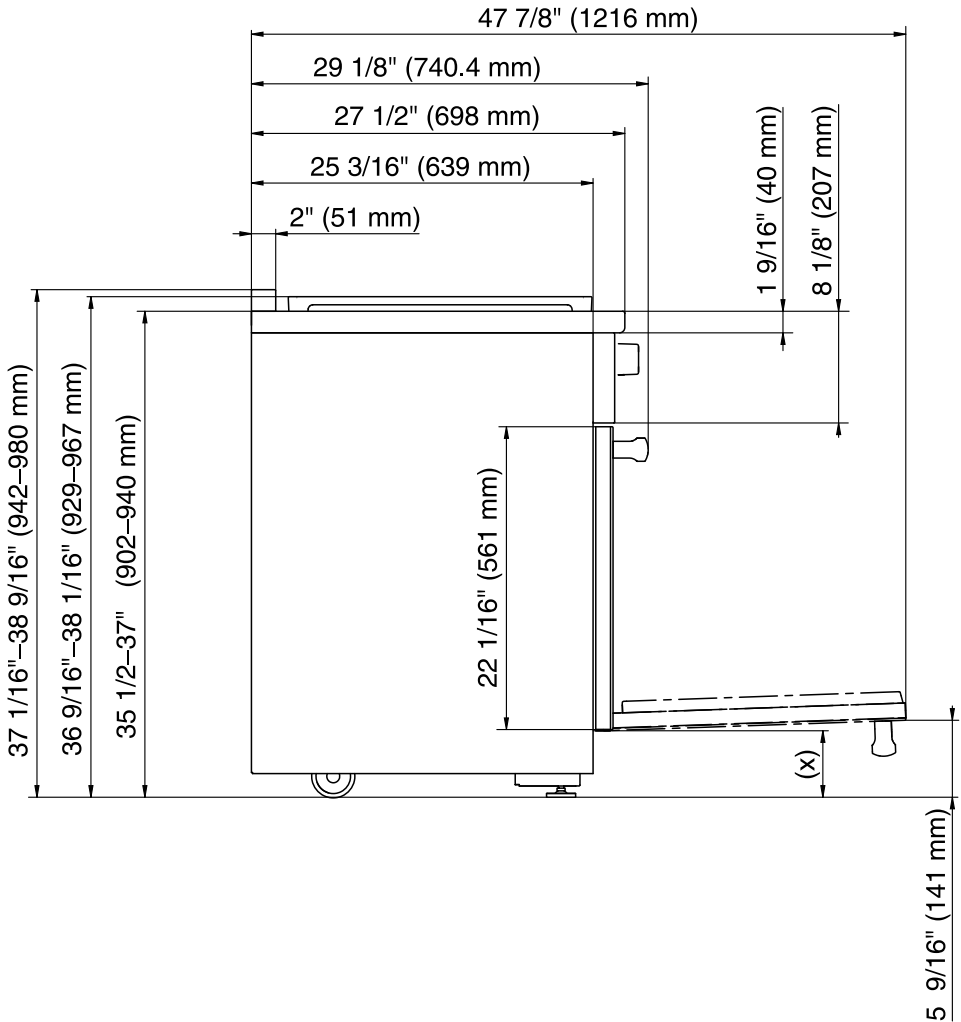
W = Water connection

G = Gas connection

Dual Fuel Range dimensions

Detailed views of HR 1936-2

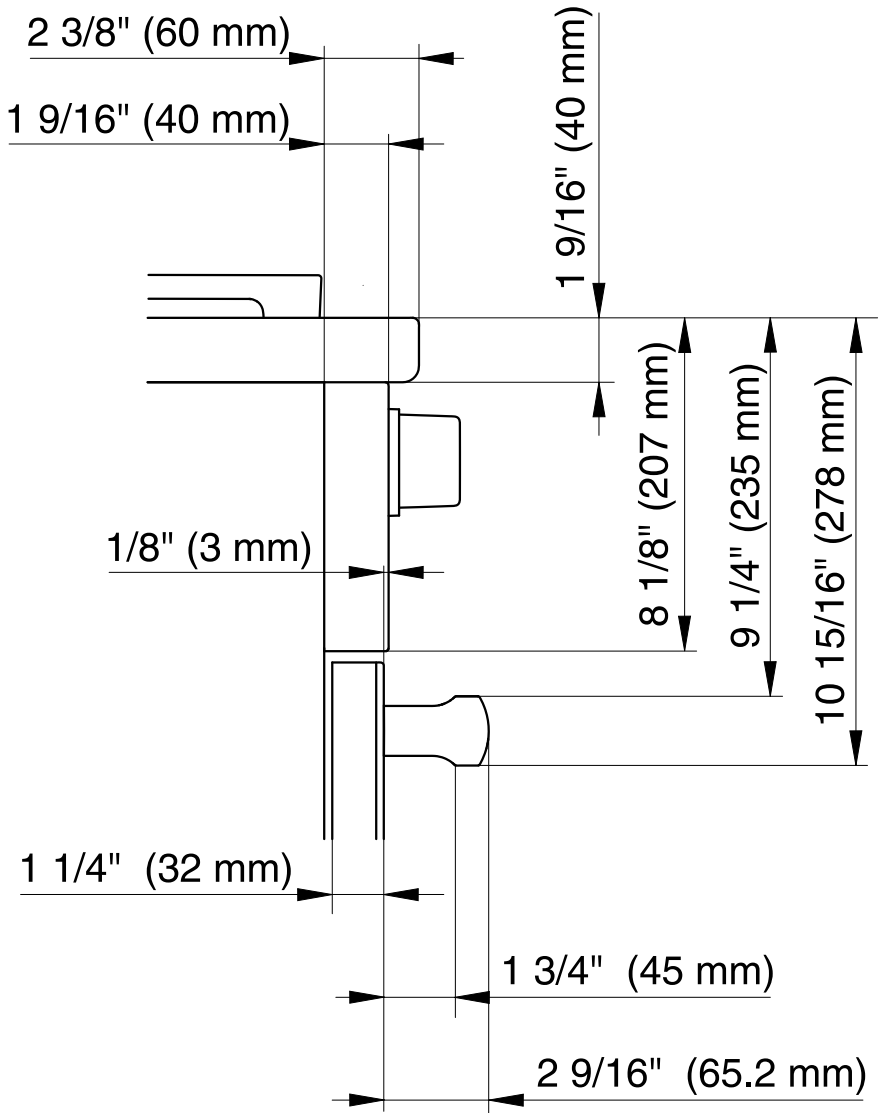
Side view of HR 1936-2



(x) = Depending on the appliance height adjustment: 5" - 6 1/2" (127 mm - 165.1 mm)

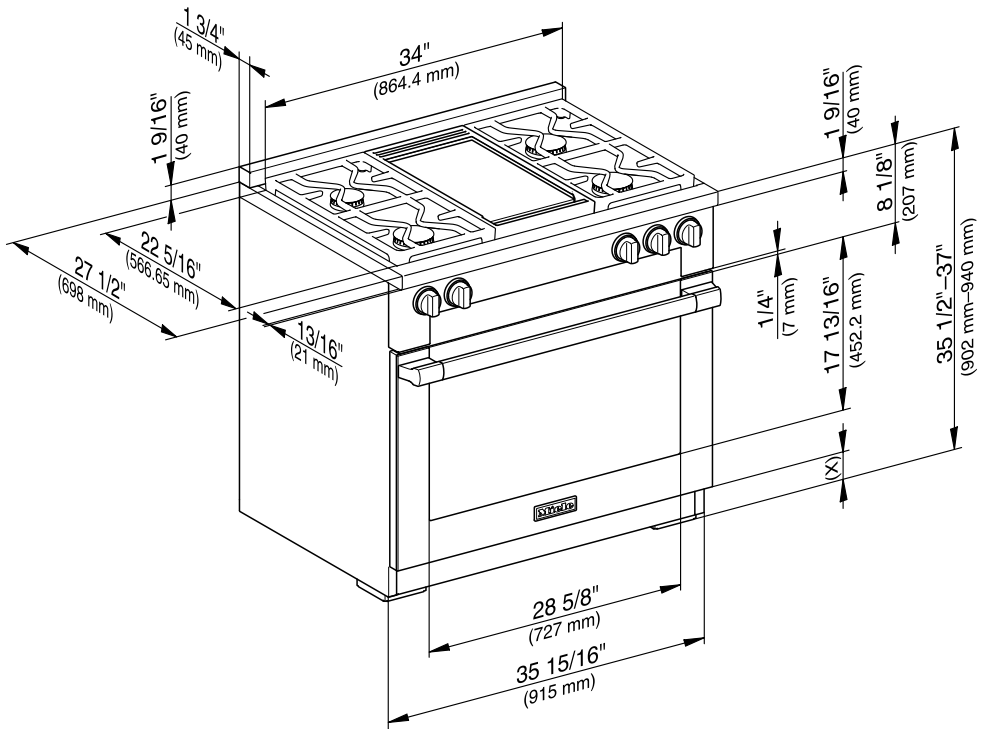
Dual Fuel Range dimensions

Detailed front side view of HR 1936-2



Dual Fuel Range dimensions

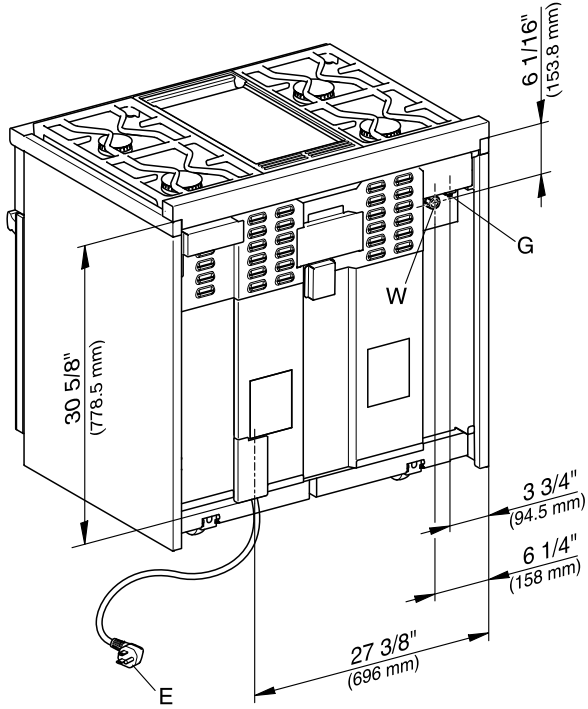
Front view of HR 1936-2



(x) = Depending on the appliance height adjustment: 5" - 6 1/2" (127 mm - 165.1 mm)

Dual Fuel Range dimensions

Rear view of HR 1936-2



E = Electrical connection

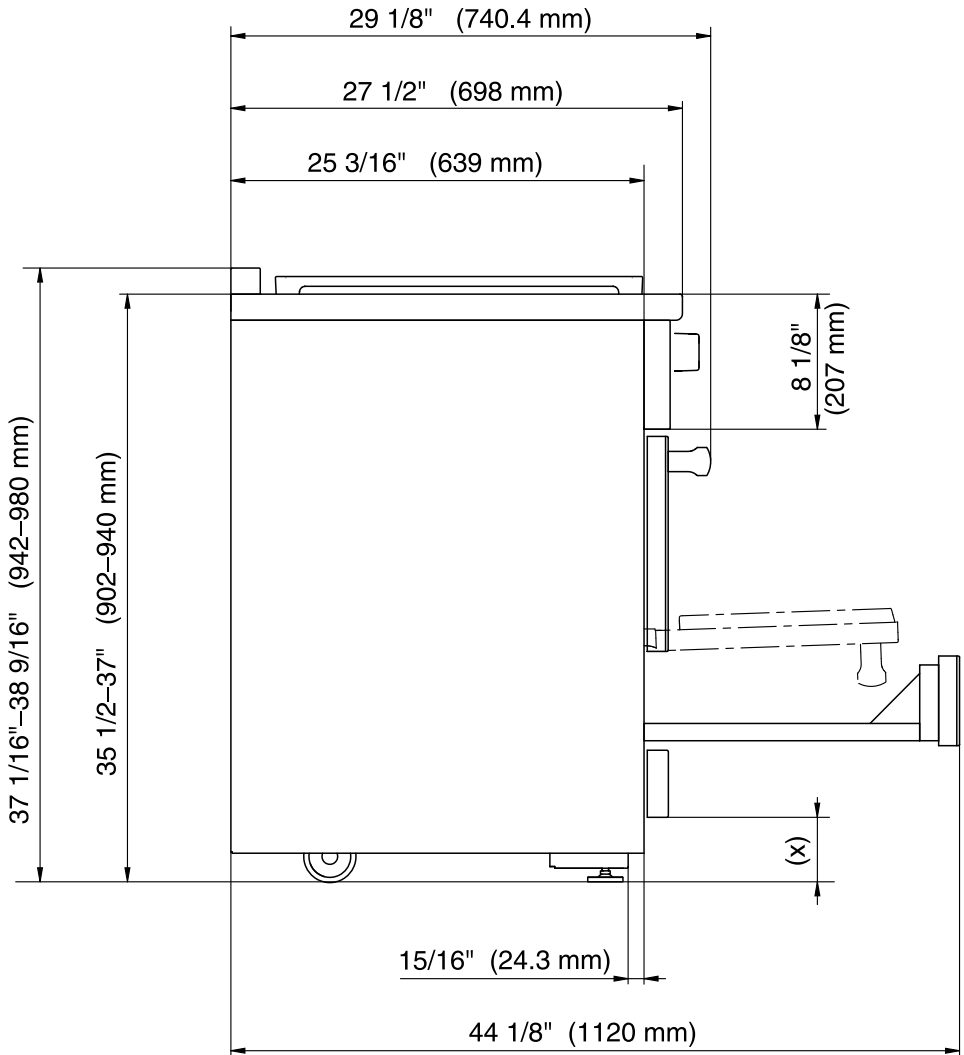
W = Water connection

G = Gas connection

Dual Fuel Range dimensions

Detailed views of HR 1954-2

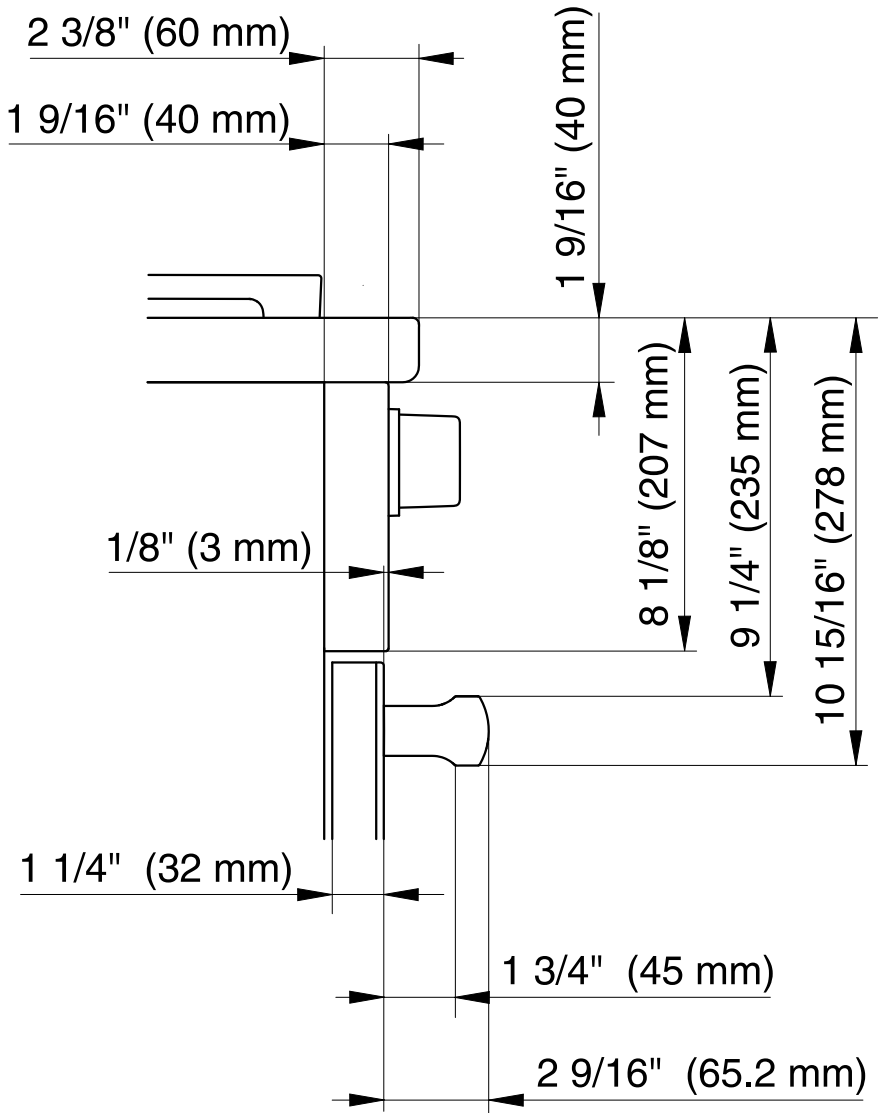
Side view of HR 1954-2



(x) = Depending on the appliance height adjustment: 4" - 5 1/2" (101.6 mm - 139.7 mm)

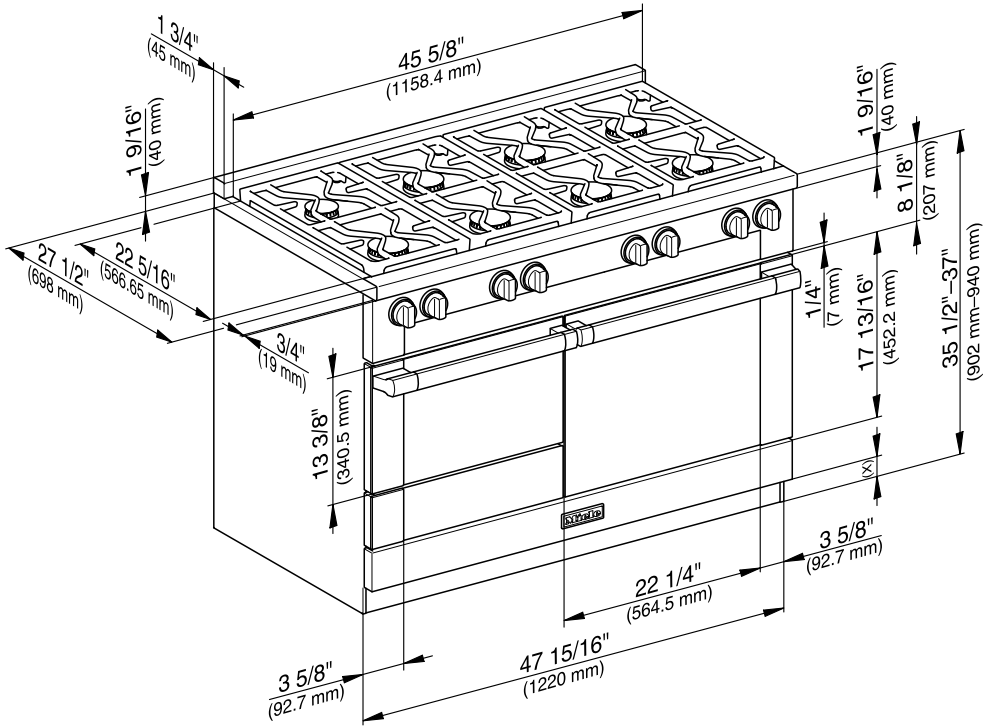
Dual Fuel Range dimensions

Detailed front side view of HR 1954-2



Dual Fuel Range dimensions

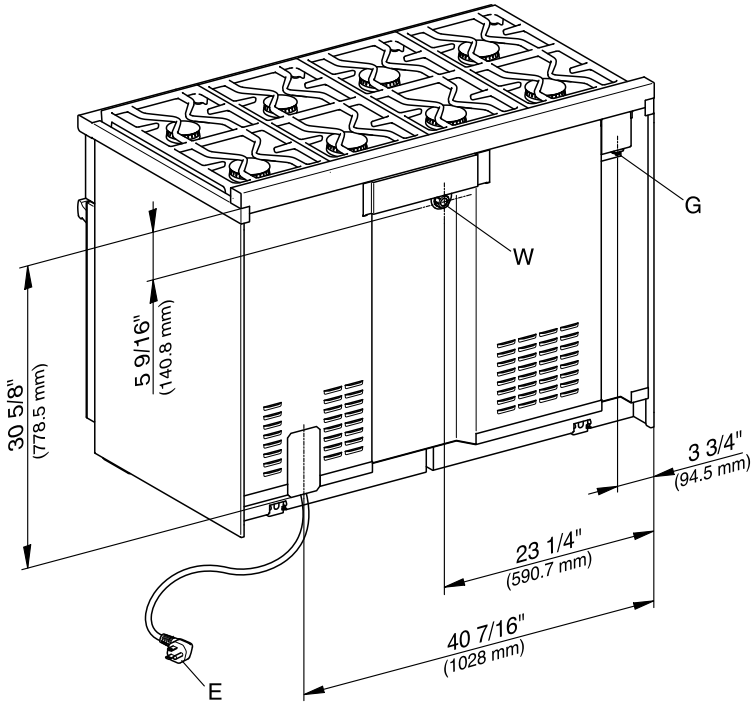
Front view of HR 1954-2



(x) = Depending on the appliance height adjustment: 4" - 5 1/2" (101.6 mm - 139.7 mm)

Dual Fuel Range dimensions

Rear view of HR 1954-2



E = Electrical connection

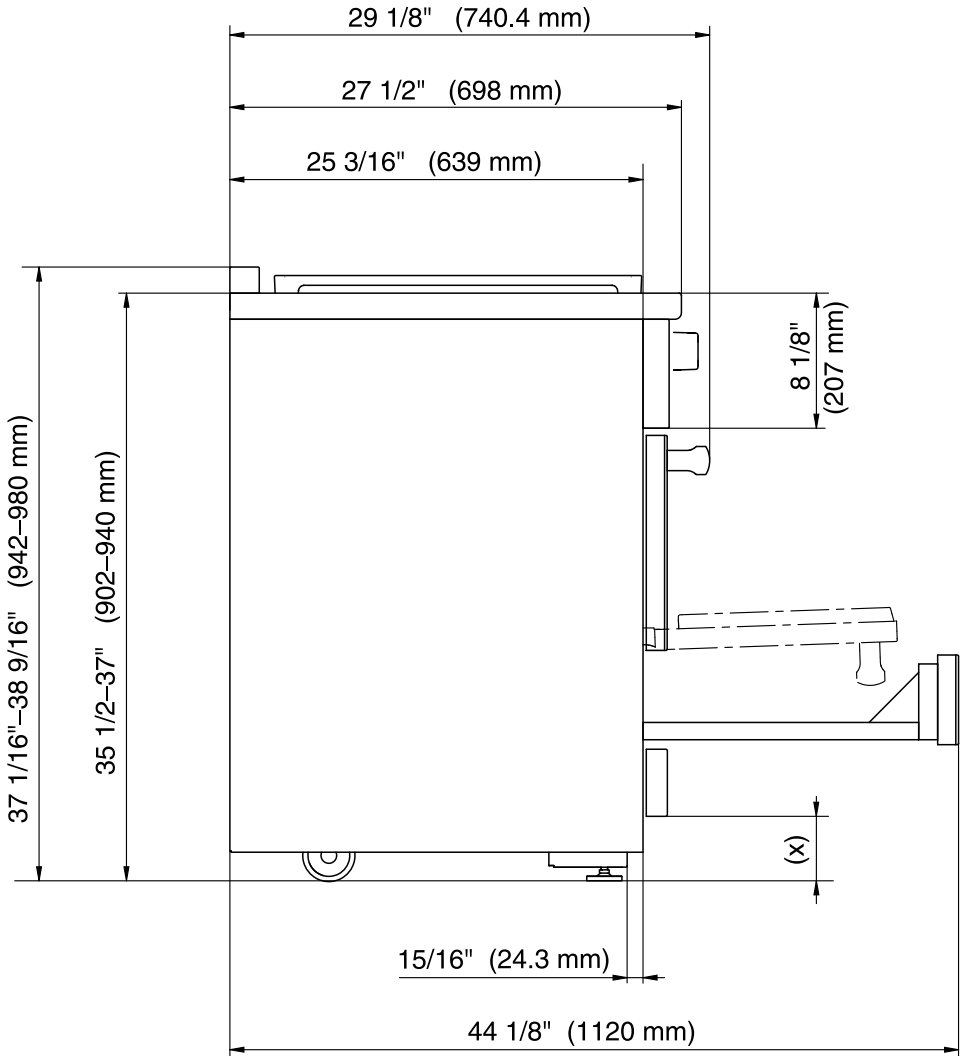
W = Water connection

G = Gas connection

Dual Fuel Range dimensions

Detailed views of HR 1955-2

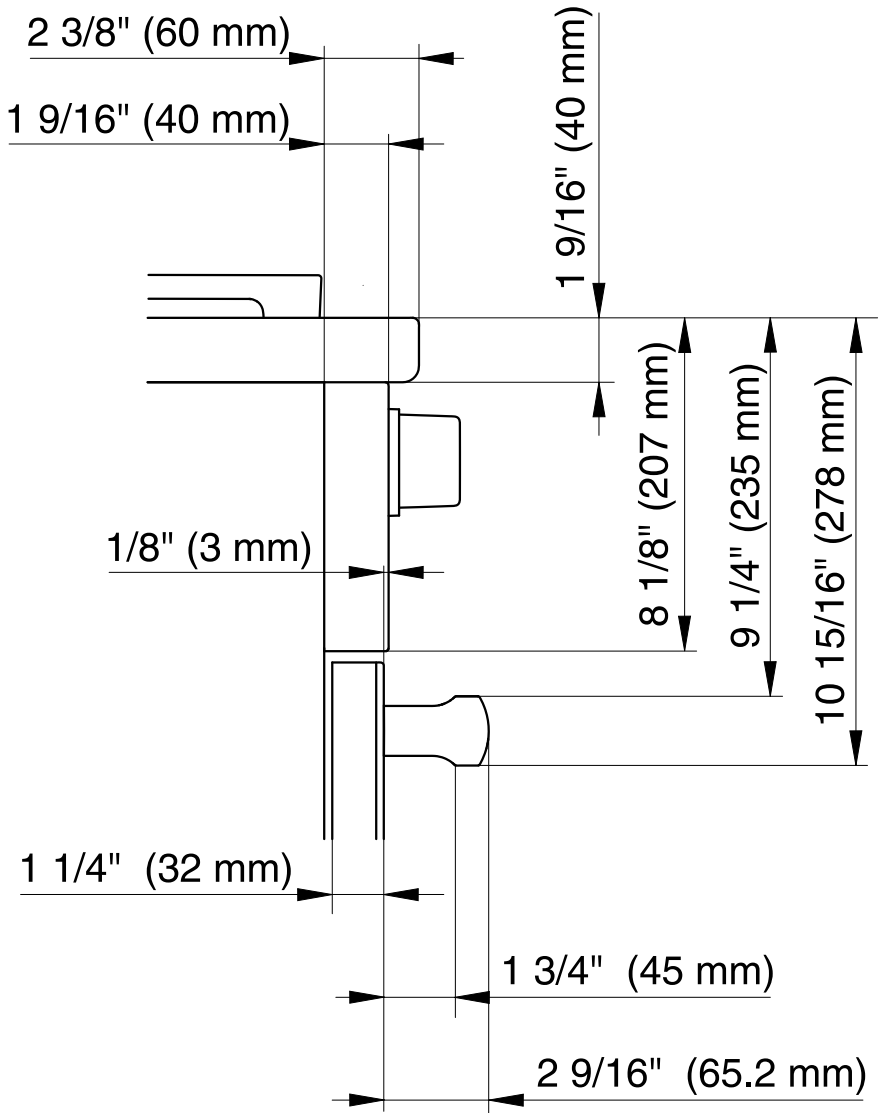
Side view of HR 1955-2



(x) = Depending on the appliance height adjustment: 4" - 5 1/2" (101.6 mm - 139.7 mm)

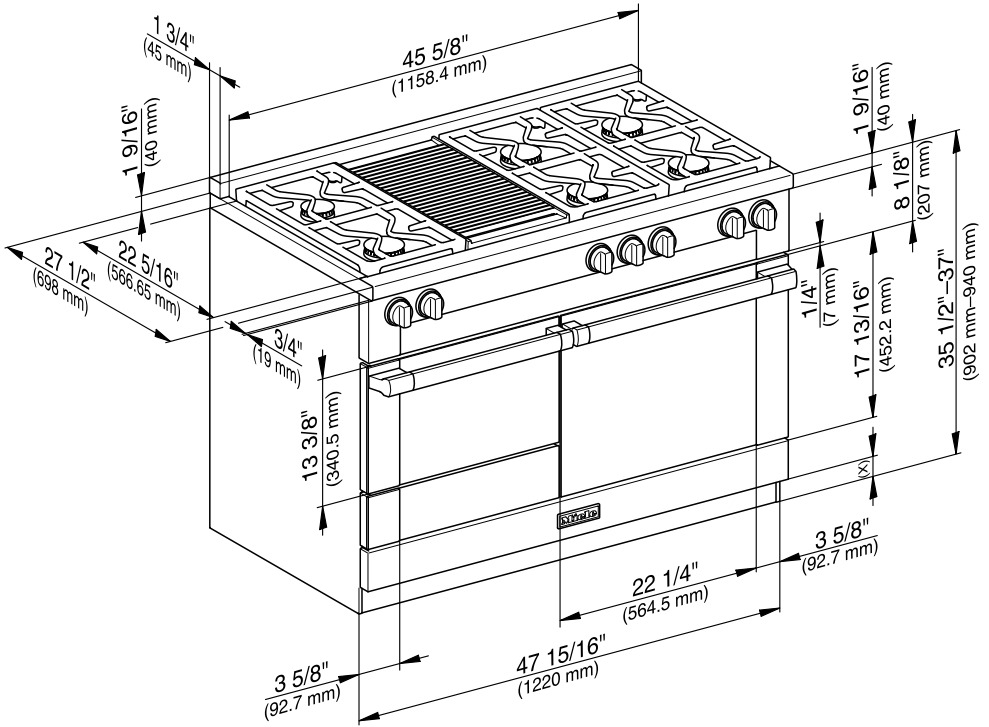
Dual Fuel Range dimensions

Detailed front side view of HR 1955-2



Dual Fuel Range dimensions

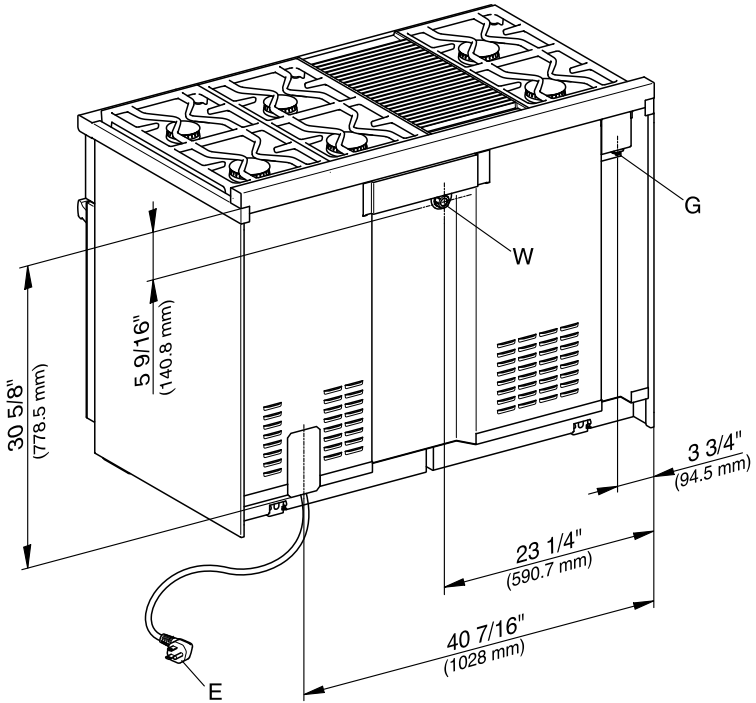
Front view of HR 1955-2



(x) = Depending on the appliance height adjustment: 4" - 5 1/2" (101.6 mm - 139.7 mm)

Dual Fuel Range dimensions

Rear view of HR 1955-2



E = Electrical connection

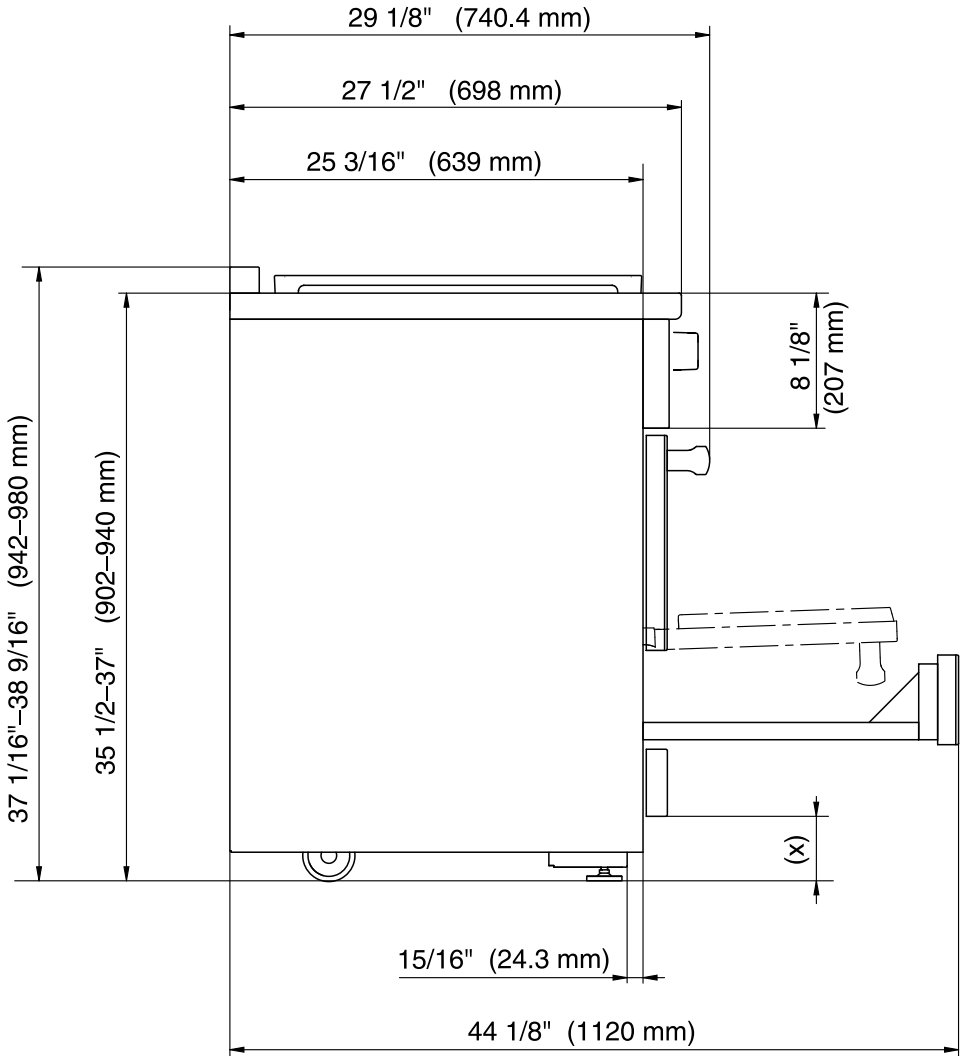
W = Water connection

G = Gas connection

Dual Fuel Range dimensions

Detailed views of HR 1956-2

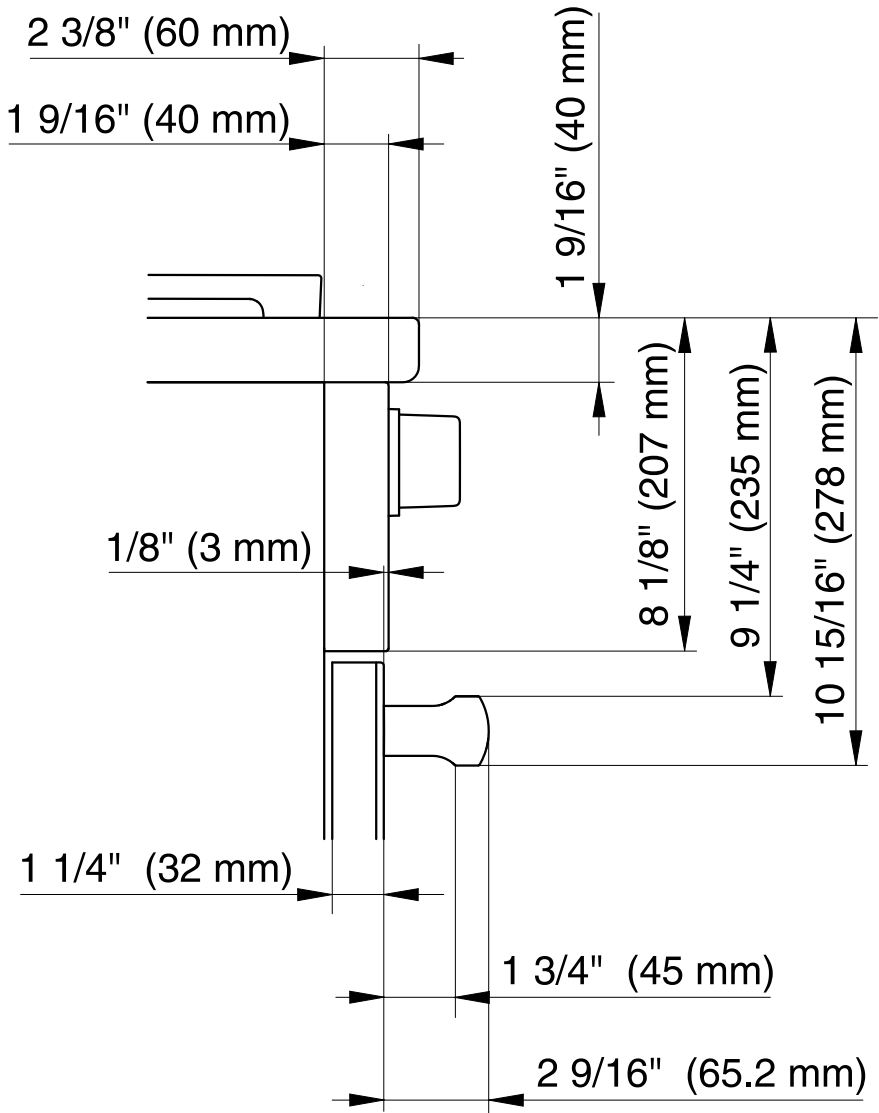
Side view of HR 1956-2



(x) = Depending on the appliance height adjustment: 4" - 5 1/2" (101.6 mm - 139.7 mm)

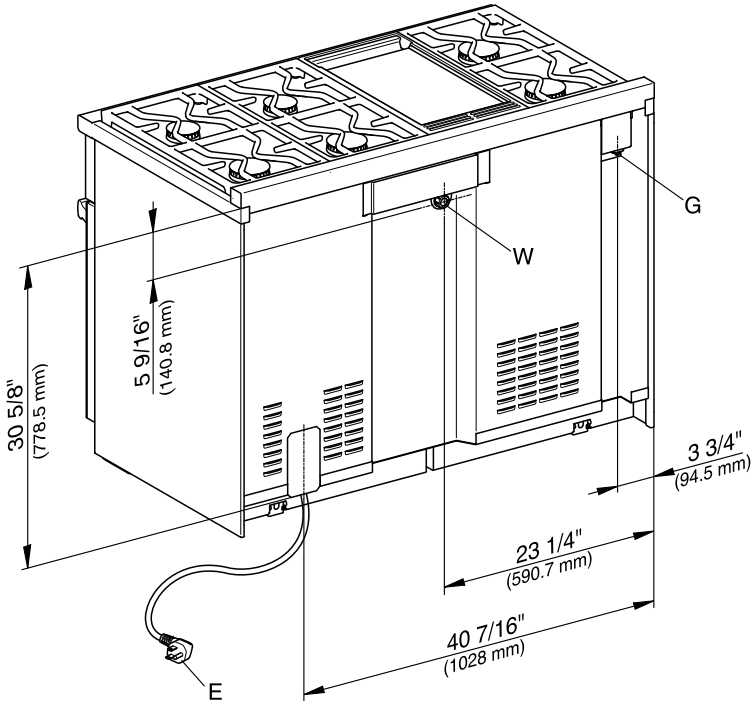
Dual Fuel Range dimensions

Detailed front side view of HR 1956-2



Dual Fuel Range dimensions

Rear view of HR 1956-2



E = Electrical connection

W = Water connection

G = Gas connection

Anti-tip device

Before installation

WARNING

Children and adults can tip over the range if has not been secured. This may lead to fatal injuries.

Make sure that the anti-tip device is properly installed and locked into place. It should be screwed to the floor or wall and engage with the center of the bottom of the range. You must take care to protect the installed flooring when moving the range.

After moving the range, make sure that the anti-tip device locks back into place. It should be screwed to the floor or wall and engage with the center of the bottom of the range.

Do not use the range if the anti-tip device has not been properly installed and engaged.

Due to the size and weight of the appliance, installation should be carried out by two people.

Any opening in the wall behind the appliance and in the floor under the appliance shall be sealed.

We recommend removing the oven door before installing the range (see “Removing the door” in the Operating Instructions) and all accessories from the oven interior. This will make it easier to install the appliance in its designated space.

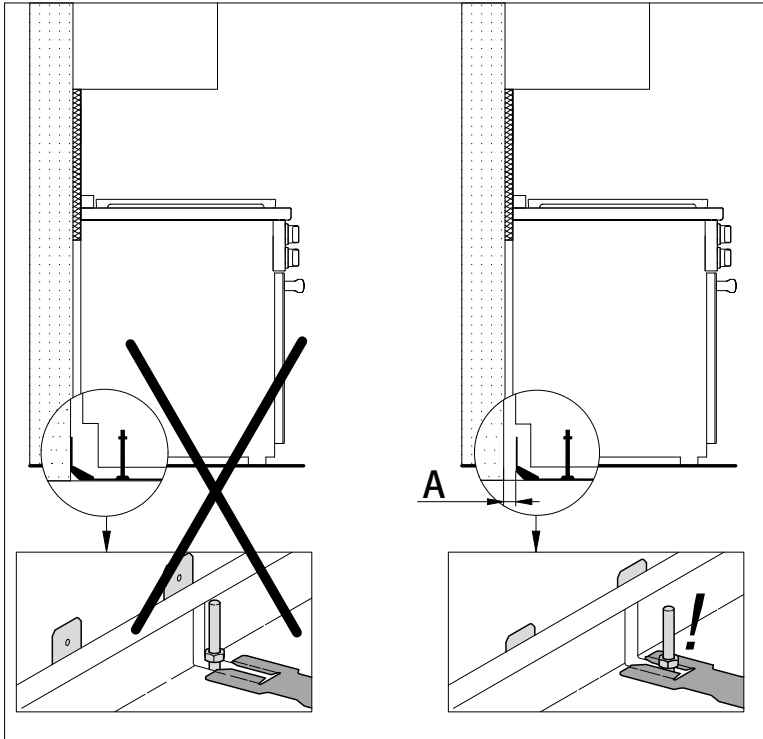
Once the range has been installed and secured against tipping, you can reattach the oven door (see “Reinstalling the door” in the Operating Instructions).

Do not carry or lift the range by the oven door handle or the control panel!

Checking the installation space

Install the anti-tip device on a floor capable of bearing significant weight, such as a concrete floor, concrete wall or timber framing. The surface must be flat and level.

- If the rear of the range has **distance A** to the supporting wall due to unevenness or wall covering (e.g., tile level), you must install the anti-tip device to the supporting floor. Alternatively, you can also install the anti-tip device with an adapter between the supporting wall and the anti-tip device. The adapter must compensate dimension A and be made of suitable material so that a supporting composite arises between the wall and anti-tip device. Use the corresponding screws (length and diameter).



A = Distance between the rear of the range to the supporting wall

- Check the floor surface.
- Check the installation dimensions.

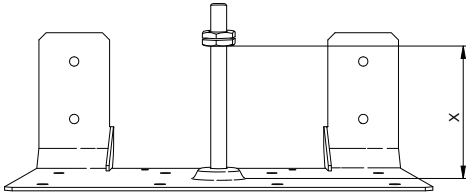
Anti-tip device

- Check the diagrams for the building's supply lines. Make sure that you do not damage any lines when drilling the holes to attach the anti-tip device.
- Check the position of the electric, gas and water connections (see “Electrical connection,” “Gas connection” and “Plumbing”). An overview on the electrical connections for your range can be found in “Notes on installation”.

Included accessories

- 1 anti-tip device
- 4 screws
- 4 plugs


Installation dimensions of locking bolt



Anti-tip device, front view

Model	Width	Yes
HR 1421 HR 1622-2 HR 112x HR 1724 HR 192x-2	29 15/16" (762 mm)	3 13/16" (97 mm)
HR 113x-1 HR 193x-2	35 15/16" (915 mm)	3 13/16" 97 mm
HR 195x-2	47 15/16" (1220 mm)	3 1/4" 82 mm

Installing the range with the anti-tip device

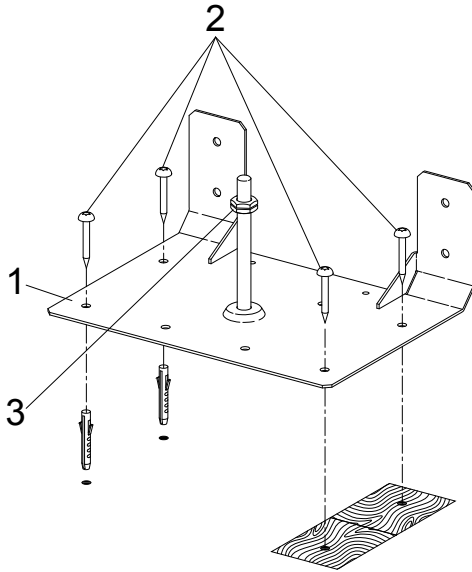
 Wear safety shoes and gloves.

The anti-tip device should be installed at the bottom rear of the range at the midpoint of the width.

- Measure the installation space for the range close to floor level.
- Mark the wall at the middle of the space width.
- Position the notch of the anti-tip device on the wall marking.

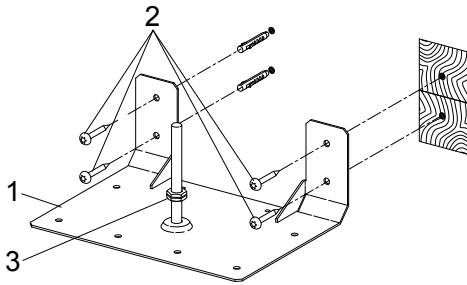
The anti-tip device must fit tightly on the floor **or** the wall.

Anti-tip device



- Screw the locking nut ③ to the bolt, see the “Installation dimensions of locking bolt” table.

Attaching to the floor



Attaching to the wall

- ① Anti-tip device
- ② Screws
- ③ Locking nut

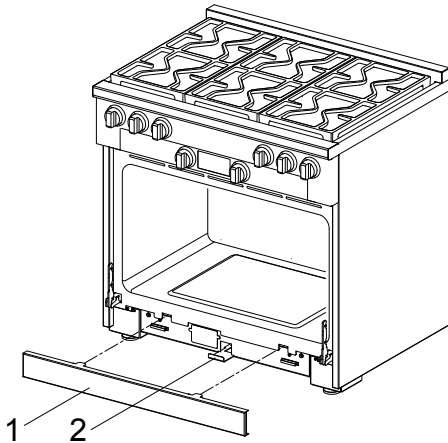
- Secure the anti-tip device ① to the floor surface with suitable bearing capacity, either to the floor or wall, using four screws ②.

Do not push the range into position before all supply connections have been established.

The toe kick cover is attached to the base of the range by magnets.

The locking clamp extends through the toe kick cover of the range housing. Its length is approximately equal to the depth of the range. It can be pulled out and pushed back in again. Its length is approximately equal to the depth of the range.

A slot is located in the non-visible rear section of the locking latch. This slot engages with the bolt of the anti-tip device when you slide the locking latch into the range.



① Toe kick cover

② Locking clamp

■ Remove the toe kick cover ① from the appliance.

■ Pull out the locking clamp ② .

Anti-tip device

Complete all necessary connections for the range. Read the “Electrical connection”, “Gas connection”, and “Plumbed water connection” chapters for more information.

The range can be damaged if it is lifted using the cover, the trim or the door handle.

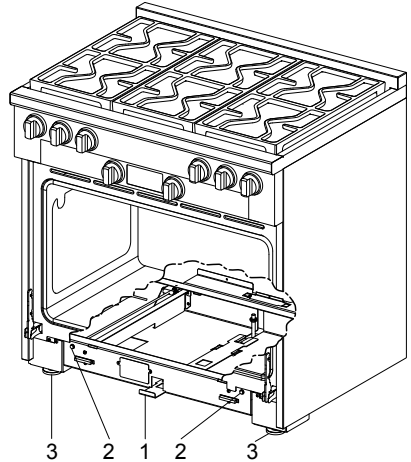
Open the oven door and hold the appliance by the front of the oven cavity.

Lift the range and move it with the help of the rear wheels.

- Slide the range into position, guiding the middle of the appliance onto the anti-tip device. Slide the appliance all the way back to the wall.

The range can be aligned if necessary. Check it with a spirit level.

- Rear adjustment right ② and left: You will need an open-end wrench (3/8" (10 mm)).
- Front adjustment right ③ and left: You will need an open-end wrench (5/8" (16 mm)) for the locknut and an open-end wrench (1/2" (13 mm)) for the adjustable nut.

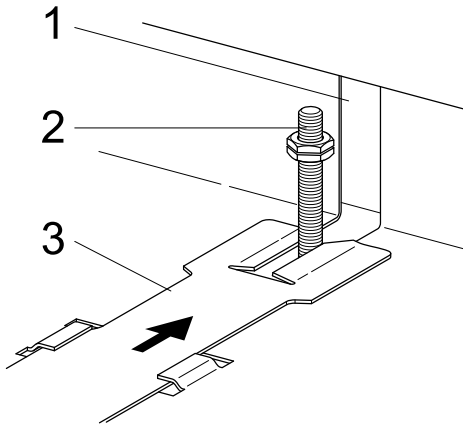


- ① Locking clamp
- ② Rear adjustment
- ③ Front adjustment

- Align the range.
- Slide the locking clamp ① firmly back.

In the range housing, there is an opening ① for the bolt ② of the anti-tip device. The opening allows the range to be slid onto the anti-tip device and back to the wall.

The locking clamp ③ must noticeably engage with the bolt ② so that anti-tip protection is ensured for the range.



- ① Opening in the range housing
- ② Anti-tip device bolt
- ③ Locking clamp with slot

The toe kick cover can only be attached if the locking clamp ③ has been slid all the way into the appliance.

- Fit the toe kick cover on the range.

Disconnecting the range from the anti-tip device

⚠ WARNING

Children and adults can tip over the range if has not been secured. This may lead to fatal injuries.

If you need to remove the range from its installation space, e.g. for service, you first need to disconnect the appliance from the anti-tip device.

- Follow the instructions for installation in reverse order.

Electrical connection



ATTENTION:

During installation, maintenance and repair work, the range must be disconnected from the electrical supply. It is only completely isolated from the electrical supply if the plug fuses have been fully unscrewed (where applicable), the circuit breaker has been tripped or the power cord has been unplugged from the wall outlet.

Installation work and repairs should only be performed by a qualified technician in accordance with all applicable codes and standards. Repairs and service by unqualified persons could be dangerous and the manufacturer will not be held responsible. Installation, repair, and maintenance work should only be performed by a Miele-authorized service technician. Work by unqualified persons can cause considerable danger to users. Miele cannot be held liable for any damage arising as a result of such work.

To avoid damaging the range, make sure that the connection data (voltage and frequency) on the data plate correspond to the building's power supply before connecting the appliance. When in doubt, consult a qualified electrician.

The internal electrical wiring of the appliance has been performed and tested according to the valid regulations. To guarantee malfunction-free operation, ensure the proper phase assignment of the socket. In case of doubt, ask an electrician.

The plug must be inserted into a suitable outlet that has been installed and grounded in compliance with all applicable local regulations.

WARNING: THIS APPLIANCE MUST BE GROUNDED

Installer: Please pass these instructions on to the customer.

Electrical connection

Model	Power cord	NEMA	For electrical supply with			
				USA	Canada	
HR 1421	approx. 5' 11" (1.80 m)	14-50 P plug	120/208 V or 120/240 V	50 A	40 A	60 Hz
HR 1622-2	approx. 5' 11" (1.80 m)	14-50 P plug	120/208 V or 120/240 V	50 A	40 A	60 Hz
HR 195x-2	approx. 5' 11" (1.80 m)	14-50 P plug	120/208 V or 120/240 V	50 A	40 A	60 Hz
HR 172x HR 192x-2 HR 193x-2	approx. 5' 11" (1.80 m)	14-30 P plug	120/208 V or 120/240 V	30 A	30 A	60 Hz
HR 112x HR 113x-1	approx. 5' 11" (1.80 m)	5-15 P plug	120 V	15 A	15 A	60 Hz

Data plate

The data plate with the connection information for the range is located in the middle of the base front behind the removable toe kick cover (see "Guide to the range").

SAVE THESE INSTRUCTIONS FOR THE ELECTRICAL INSPECTOR'S USE.

This appliance must be grounded in compliance with all applicable local and national regulations.

Installation, repair and maintenance work should only be performed by a Miele authorized service technician in compliance with local regulations and the ANSI National Electrical Code / NFPA 70 in the United States or the Canadian Electrical Code, Part I in Canada (CSA standard C22.1).

Plumbing

Notes on connecting to the water supply

The appliance must be connected to the water supply by a qualified professional.

Disconnect the appliance from the power supply before connecting it to the water line.

Turn off the water supply before connecting the water lines for the range.

- All devices used for connecting the appliance to the water supply must comply with the current national and local safety regulations in the country in which the range is being installed.
- We do not recommend the use of water produced by Reverse Osmosis filtration systems. Along with the possibility of detrimental health effects, highly purified water can cause the premature corrosion and failure of components in your appliance. Furthermore, many RO systems, especially under counter systems, do not deliver sufficient water pressure to allow the appliance to operate properly. Connection to such a water supply could cause poor performance, premature appliance failure, leaks and/or flooding. Miele will not be responsible for any damages caused by appliances connected to these systems. Only use filtered, softened and demineralized water from the building's plumbing to supply the oven.
- **Connect the range to a cold water supply only.**

- The range may be connected to a water supply without a non-return valve.
- A water shut-off valve must be provided between the stainless steel hose and the household water supply to ensure that the water supply can be cut off if necessary.
- The water shut-off valve must be accessible after installation.
- The water pressure must be between 1 and 10 bar (10^5 and 10^6 Pa or 14.5 and 145 psi). If the pressure is higher than this, install a pressure reducer.
- 30" and 36" range: The provided stainless steel hose has a length of 4' 11" (1.5 m).
48" Range: The provided stainless steel hose has a length of 9' 10" (3 m).
Longer intake hoses are available if necessary. Do not shorten the hoses.
- The total hose length must not exceed 24.5 ft. (7.5 m).

Ensure that the shut-off valve is accessible after installation.

Replace the stainless steel hose if it is damaged, using only an original Miele hose to do so (available from Miele). The hose must be suitable for supplying drinking water.

Attach the stainless steel hose to the range.

Make sure that the stainless steel hose is not kinked or damaged. The stainless steel hose must **not** be shortened.

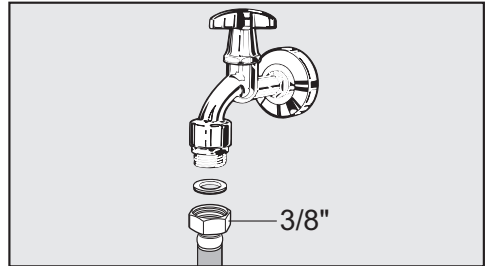
- Remove the cover from the water supply connection at the back of the range.
- Take the **angled** side of the stainless steel hose and check whether a gasket is present. If not, insert one.
- Screw the stainless steel hose coupling nut onto the threaded union.
- Ensure that the hose is correctly seated.

Connecting to the water supply

Danger of electric shock!

Disconnect the range from the electrical supply before connecting it to the water supply.

- Check that the gasket is present. Replace, if not, insert before connecting to the water supply.




- Connect the stainless steel hose to the water supply.

Old or previously used tubing should never be connected to the range. Only use the stainless steel hose supplied.

- Ensure that the hose is correctly seated.
- Slowly open the shut-off valve to the water supply and check for leaks.

Gas connection

 Connection to the gas supply may only be performed by a duly authorized technician. This technician is responsible for proper function at the installation site. In Massachusetts, the gas connection may be performed only by a certified gas installer.

The range must be connected with its own shut-off valve. The shut-off valve must be accessible and visible, after the opening of a cabinet door, if necessary.

The connection of the range can be for natural gas or propane gas according to the model. Ask your gas company what kind of gas is used and compare it with the specifications on the data plate.

The range is not connected to an exhaust vent. During the setup and connection of the range, observe the applicable installation conditions, especially suitable ventilation measures.

The gas connections must be arranged in such a way that they are not heated and damaged by the operation of the range. In particular, make sure that the gas hose lines and connection fittings on the range do not come into contact with hot exhaust gases.

Flexible connection lines can be damaged by incorrect routing. Attach flexible connecting lines in such a way so that they do not come into contact with any moving kitchen parts (e.g., a drawer) and are not exposed to mechanical stress.

The range and the shut-off valve must be disconnected from the gas supply during gas pressure tests. Disconnect the range and the shut-off valve from the gas supply before performing a gas pressure test at a pressure of more than 1/2 psi (3.5 kPa). Close the shut-off valve of the gas supply before performing a gas pressure test at a pressure of less than or equal to 1/2 psi (3.5 kPa).

Incorrectly sealed gas lines can lead to a gas leak and thus to an explosion. Seal all gas lines with a suitable thread sealant.

Seal tightness tests on the range must be performed according to manufacturer specifications.

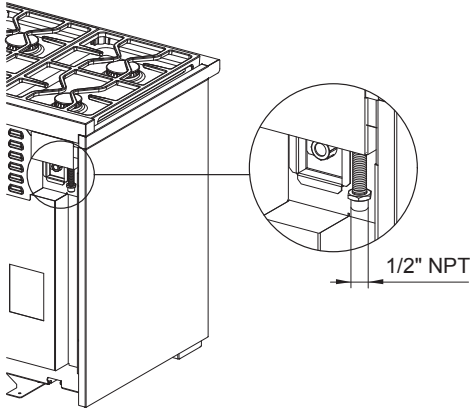
The gas connection must be established only Miele-authorized specialists according to the local and following regulations:
National Fuel Gas Code
ANSI Z 21.1 / NFPA No. 54 for the United States or the current Can / CGA B 149.1 and 2 Installation Codes of Gas Appliances for Canada.

The installation must conform with local codes or, in the absence of local codes, with the National Fuel Gas Code, ANSI Z223.1/NFPA 54.

The gas pressure may not undershoot or exceed certain values.

Make sure that the maximum gas pressure upstream of the gas pressure controller does not amount to more than 1/2 psi (3.5 kPa) for natural and propane gas.

Make sure that the minimum gas pressure amounts to a 6" (150 mm) water head in the case of natural gas and a 11" (279,4 mm) water head in the case of propane gas.



Burner ratings

Burner ratings HR 1124

Natural gas NG	Btu/hr	kW
Simmer burner	12,500	3.7
Power burner	19,500	5.7
Oven top burner	22,000	6.4
Oven bottom burner	23,200	6.8
Total cooktop output	71,000	20.8
Maximum total output of Range	94,200	27.6

Liquid propane LP	Btu/hr	kW
Simmer burner	12,500	3.7
Power burner	19,500	5.7
Oven top burner	20,150	5.9
Oven bottom burner	23,200	6.8
Total cooktop output	71,000	20.8
Maximum total output of Range	94,200	27.6

Burner ratings HR 1134-1

Natural gas NG	Btu/hr	kW
Simmer burner	8,000	2.3
Power burner, rear	9,000	2.6
Power burner, front	19,500	5.7
Oven top burner	22,000	6.4
Oven bottom burner	25,500	7.5
Total cooktop output	84,500	24.8
Maximum total output of Range	110,000	32.2

Liquid propane LP	Btu/hr	kW
Simmer burner	8,000	2.3
Power burner, rear	9,000	2.6
Power burner, front	19,500	5.7
Oven top burner	20,150	5.9
Oven bottom burner	27,500	8.1
Total cooktop output	84,500	24.8
Maximum total output of Range	112,000	32.8

Burner ratings

Burner ratings HR 1135-1

Natural gas NG	Btu/hr	kW
Simmer burner	8,000	2.3
Power burner, rear	9,000	2.6
Power burner, front	19,500	5.7
Grill	19,000	5.6
Oven top burner	22,000	6.4
Oven bottom burner	25,500	7.5
Total cooktop output	75,000	22.0
Maximum total output of Range	100,500	29.5

Burner ratings HR 1136-1

Natural gas NG	Btu/hr	kW
Simmer burner	8,000	2.3
Power burner, rear	9,000	2.6
Power burner, front	19,500	5.7
Griddle	13,000	3.8
Oven top burner	22,000	6.4
Oven bottom burner	25,500	7.5
Total cooktop output	69,000	20.2
Maximum total output of Range	94,500	27.7

Liquid propane LP	Btu/hr	kW
Simmer burner	8,000	2.3
Power burner, rear	9,000	2.6
Power burner, front	19,500	5.7
Griddle	14,300	4.2
Oven top burner	20,150	5.9
Oven bottom burner	27,500	8.1
Total cooktop output	70,300	20.6
Maximum total output of Range	97,800	28.7

Burner ratings

Burner ratings HR 1724

Natural gas NG	Btu/hr	kW
Simmer burner	12,500	3.7
Power burner	19,500	5.7
Total cooktop output	71,000	20.8

Liquid propane LP	Btu/hr	kW
Simmer burner	12,500	3.7
Power burner	19,500	5.7
Total cooktop output	71,000	20.8

Burner ratings HR 1924-2

Natural gas NG	Btu/hr	kW
Simmer burner	12.500	3.7
Power burner	19.500	5.7
Total cooktop output	71.000	20.8

Liquid propane LP	Btu/hr	kW
Simmer burner	12.500	3.7
Power burner	19.500	5.7
Total cooktop output	71.000	20.8

Burner ratings

Burner ratings HR 1934-2

Natural gas NG	Btu/hr	kW
Simmer burner	12.500	3.7
Power burner, rear	13.600	4.0
Power burner, front	19.500	5.7
Total cooktop output	98.200	28.8

Liquid propane LP	Btu/hr	kW
Simmer burner	12.500	3.7
Power burner, rear	13.000	3.8
Power burner, front	19.500	5.7
Total cooktop output	97.000	28.4

Burner ratings HR 1935-2

Natural gas NG	Btu/hr	kW
Simmer burner	12.500	3.7
Power burner, rear	13.600	4.0
Power burner, front	19.500	5.7
Grill	19.000	5.6
Total cooktop output	84.100	24.6

Burner ratings

Burner ratings HR 1936-2

Natural gas NG	Btu/hr	kW
Simmer burner	12.500	3.7
Power burner, rear	13.600	4.0
Power burner, front	19.500	5.7
Griddle	13.000	3.8
Total cooktop output	78.100	22.9

Liquid propane LP	Btu/hr	kW
Simmer burner	12.500	3.7
Power burner, rear	13.000	3.8
Power burner, front	19.500	5.7
Griddle	14.300	4.2
Total cooktop output	78.800	23.1

Burner ratings HR 1954-2

Natural gas NG	Btu/hr	kW
Simmer burner	10.000	2.9
Power burner, rear	13.600	4.0
Power burner, front	19.500	5.7
Total cooktop output	125.200	36.7

Liquid propane LP	Btu/hr	kW
Simmer burner	10.000	2.9
Power burner, rear	13.000	3.8
Power burner, front	19.500	5.7
Total cooktop output	124.000	36.3

Burner ratings

Burner ratings HR 1955-2

Natural gas NG	Btu/hr	kW
Simmer burner	10.000	2.9
Power burner, rear	13.600	4.0
Power burner, front	19.500	5.7
Grill	19.000	5.6
Total cooktop output	111.100	32.6

Burner ratings HR 1956-2

Natural gas NG	Btu/hr	kW
Simmer burner	10.000	2.9
Power burner, rear	13.600	4.0
Power burner, front	19.500	5.7
Griddle	13.000	3.8
Total cooktop output	105.100	30.8

Liquid propane LP	Btu/hr	kW
Simmer burner	10.000	2.9
Power burner, rear	13.000	3.8
Power burner, front	19.500	5.7
Griddle	14.300	4.2
Total cooktop output	105.800	31.0

Caring for the environment

Disposal of the packing material

The cardboard box and packing materials protect the appliance during shipping. They have been designed to be biodegradable and recyclable.

Ensure that any plastic wrappings, bags, etc. are disposed of safely and kept out of the reach of children.
Danger of suffocation!

Disposal of your old appliance

Electrical and electronic appliances contain valuable materials. They also contain certain substances, compounds and components which were essential for the proper functioning and safe use of the equipment. Handling these materials improperly by disposing of them in your household waste can be harmful to your health and the environment. Therefore, please do not dispose of your old appliance with regular household waste and follow local regulations on proper disposal.



Consult with local authorities, dealers or Miele in order to dispose of and recycle electrical and electronic appliances. Miele assumes no responsibility for deleting any personal data left on the appliance being disposed. Please ensure that your old appliance is kept away from children until removal. Observe safety requirements for appliances that may tip over or pose an entrapment hazard.

Please have the model and serial number
of your appliance available when
contacting Customer Service.

The Miele logo consists of the word "Miele" in a bold, white, serif font, set against a solid black rectangular background.

U.S.A.

Miele, Inc.

National Headquarters

9 Independence Way
Princeton, NJ 08540
Phone: 800-843-7231
Fax: 609-419-4298
www.mieleusa.com

Customer Service & Support

Phone: 888-99-MIELE(64353)
Fax: 888-586-8056
service@mieleusa.com

International Headquarters

Miele & Cie. KG
Carl-Miele-Straße 29
33332 Gütersloh
Germany

Canada

Importer
Miele Limited

Headquarters and Miele Centre

161 Four Valley Drive
Vaughan, ON L4K 4V8
www.miele.ca

Customer Care Centre

Phone: 800-565-6435
905-532-2272
customercare@miele.ca

HR 1421, HR 1622-2, HR 1124, HR 1134-1, HR 1135-1,
HR 1136-1, HR 1724, HR 1924-2, HR 1934-2, HR 1935-2,
HR 1936-2, HR 1954-2, HR 1955-2, HR 1956-2