

PureLine  
24" Speed Oven

H 6600 BM



# PureLine Speed Oven H 6600 BM



## H 6600 BM

### Features:

- SensorTronic controls: 5-line TFT display with laterally positioned sensor controls that clearly present menu content
- 19 operating modes
- Rapid Preheat
- Roast probe for perfect roasting results
- MasterChef menu offers over 100 food types to cook to perfection
- Favorites - up to 20 recipes
- 1,000 watt microwave
- Popcorn button
- Minute Plus button - time and power individually programmable
- PerfectClean interior
- Timer
- Sabbath Program
- The simple yet sleek Silhouette handle seems to float enhancing its modern design lines

### SPECIFICATIONS

#### H 6600 BM – Item 22660054USA

Overall Unit Width - Excluding Fascia Dimension	22 <sup>1</sup> / <sub>16</sub> " (560 mm)
Overall Unit Height - Excluding Fascia Dimension	17 <sup>1</sup> / <sub>2</sub> " (445 mm)
Overall Unit Depth - Excluding Fascia Dimension	21 <sup>5</sup> / <sub>16</sub> " (542 mm)
Oven Door Clearance	12 <sup>5</sup> / <sub>16</sub> " (313 mm)
Overall Fascia Dimensions	23 <sup>7</sup> / <sub>16</sub> " (595 mm) W x 17 <sup>15</sup> / <sub>16</sub> " (455 mm) H x 7 <sup>7</sup> / <sub>8</sub> " (22 mm) D

#### Built-In

Minimum Cabinet Opening Width	22 <sup>1</sup> / <sub>16</sub> " (561 mm)
Minimum Cabinet Opening Depth	21 <sup>5</sup> / <sub>8</sub> " (550 mm)
Minimum Cabinet Opening Height	17 <sup>3</sup> / <sub>4</sub> " (450 mm)
Minimum Base Support	125 lbs

#### Electrical

Electrical Requirements	240/208V AC, 60Hz, 20A
Power Cord	Molded NEMA 14-30 configured plug
Electrical Rating	2.2kW (240V), 1.76kW (208V)

#### Shipping

Shipping Weight	126 lbs
Shipping Dimensions	25 <sup>5</sup> / <sub>8</sub> " W (727 mm) x 24 <sup>13</sup> / <sub>16</sub> " (630 mm) H x 27" (686 mm) L

#### Support

Call Miele	800.843.7231
Miele Website	<a href="http://www.mieleusa.com">www.mieleusa.com</a>
20/20 Link	<a href="http://2020technologies.com">2020technologies.com</a>

## HANDLE SPECIFICATIONS

<p><b>Comfort Handle:</b> Optional with ContourLine Optional with PureLine (DS 6708 Item # 09828380)</p>	<p><b>ComfortSwivel Handle:</b> Standard for ContourLine Optional for PureLine (DS 6718 Item # 09828390)</p>
--	--

22"  
(559mm)

1 5/16"  
(33mm)

22"  
(559mm)

2 1/16"  
(68mm)

2 1/8"  
(68mm)

2 1/8"  
(68mm)

<p>Comfort Handle standard on H 6100 BM</p>		<p>ComfortSwivel Handle standard on H 6500 BM H 6700 BM</p>
---	--	---

**Silhouette Handle:**  
Standard with Pureline  
Optional for Contourline  
(DS 6808 Item # 09828400)

22"  
(559mm)

1 5/16"  
(33mm)

22"  
(559mm)

1 5/8"  
(41mm)

1 5/16"  
(33mm)

1/2"  
(12.7mm)

1 5/8"  
(41mm)

**Silhouette Handle (Chrome):**  
Standard with BrilliantWhite  
(DS 6808 Item # 09828410)

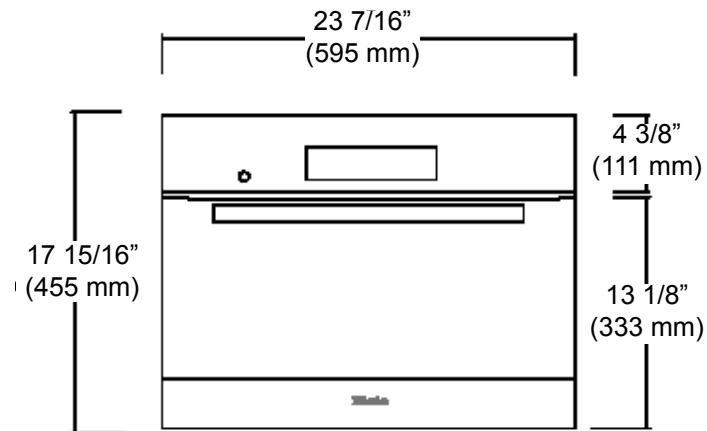
**Silhouette Handle:**  
Standard with Truffle Brown  
(DS 6808 Item # 09870690)

# PureLine Speed Oven H 6600 BM

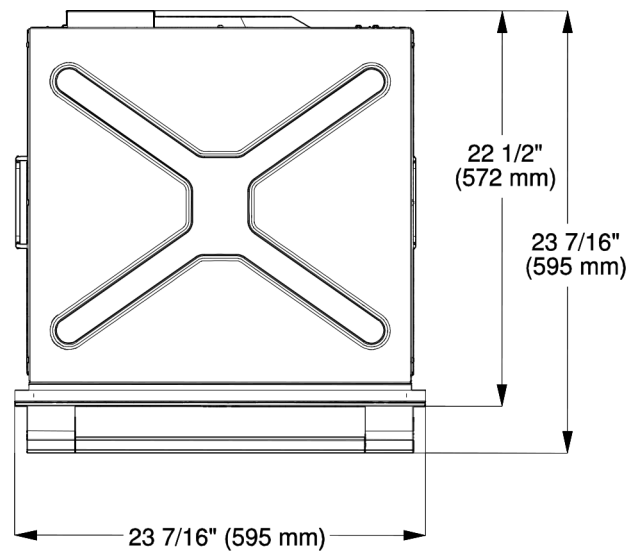


## PRODUCT VIEWS

Fascia



Top View

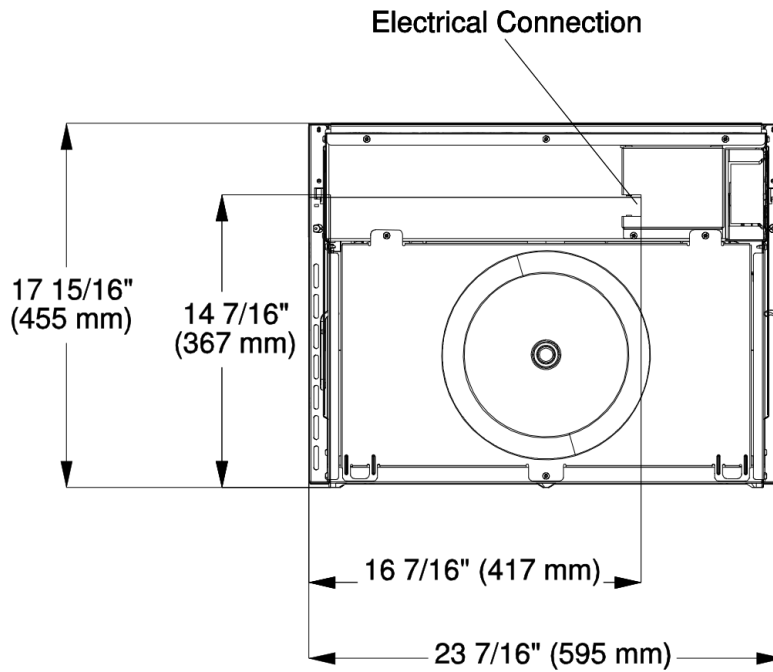


# PureLine Speed Oven H 6600 BM

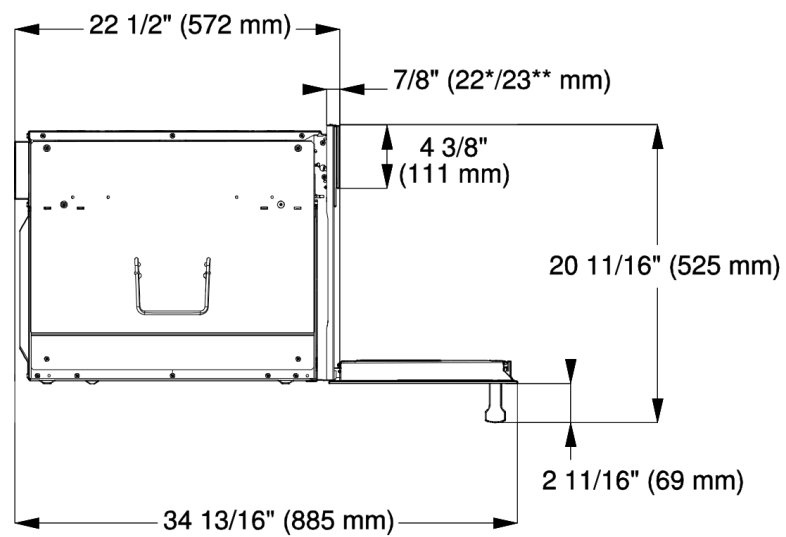


## PRODUCT VIEWS

Rear View



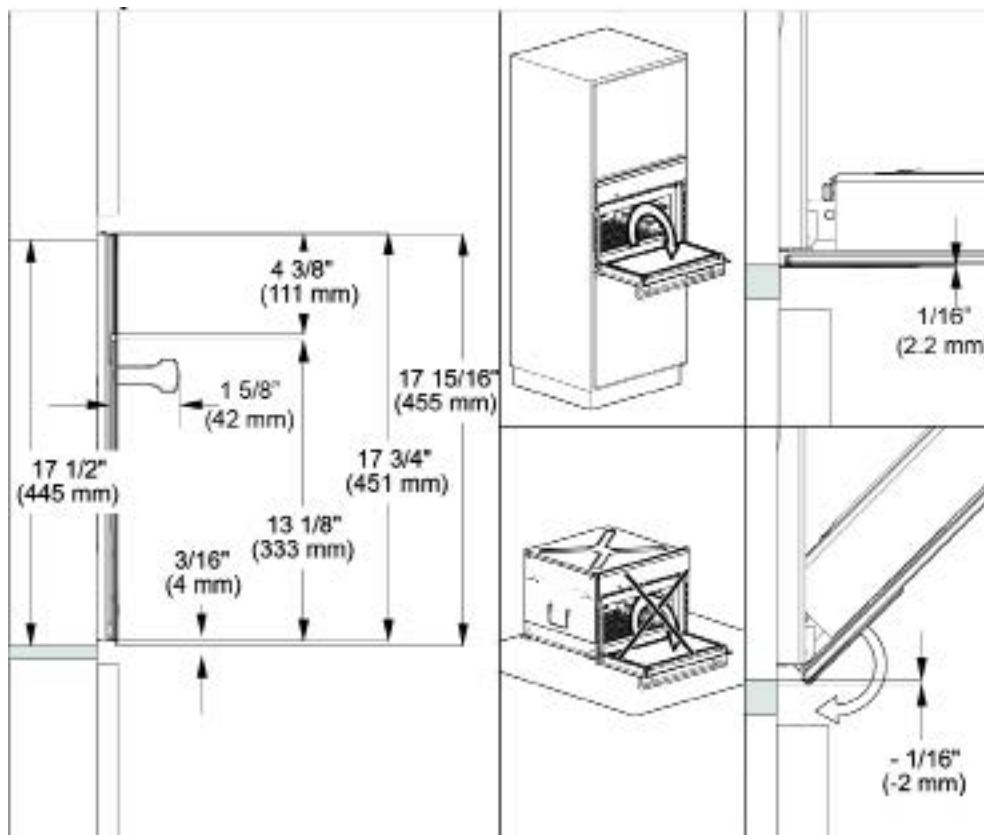
Side View



\* Oven with glass frc  
\*\* Oven with metal fr

## INSTALLATION SPECIFICATIONS

### Door Swing Details

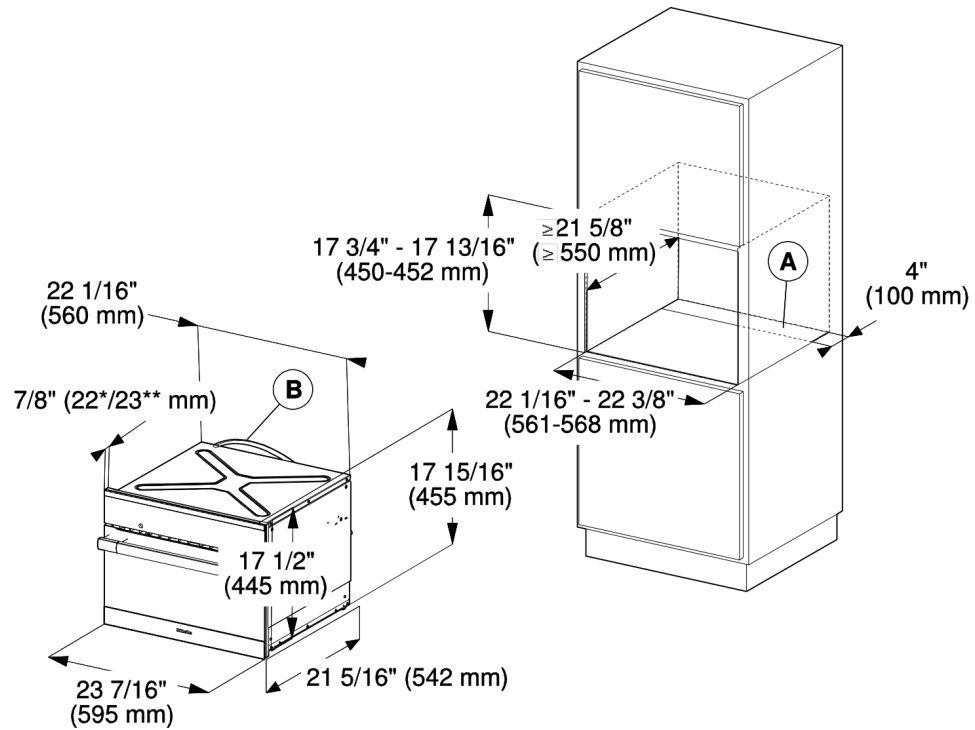


# PureLine Speed Oven H 6600 BM



## INSTALLATION SPECIFICATIONS

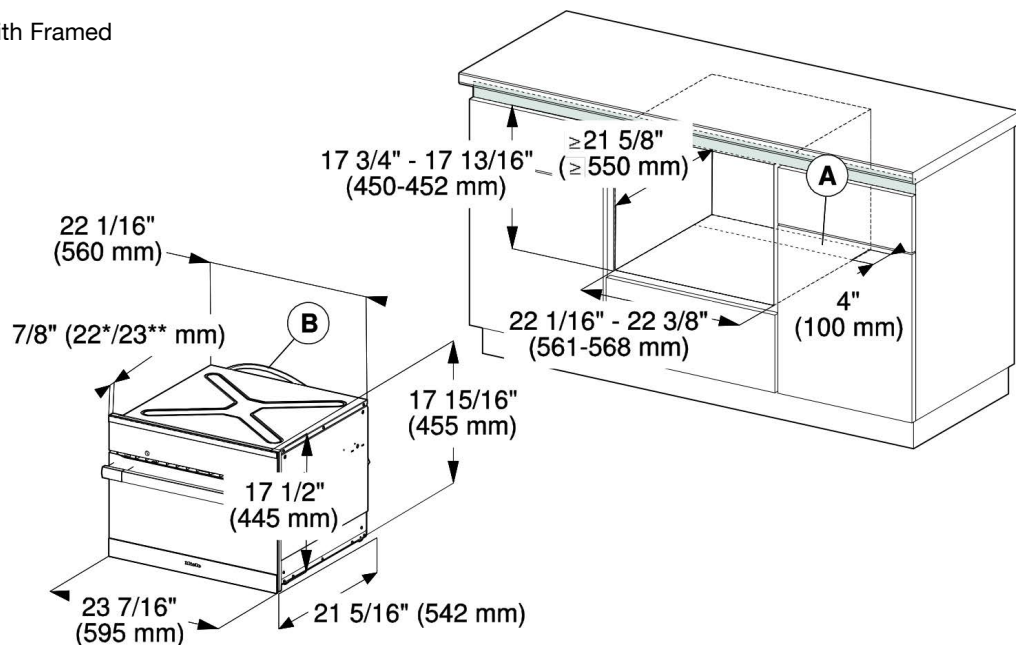
Install in Tall Cabinet



- Ⓐ Cut-out (4" x 22" / 100 mm x 560 mm) in the bottom of the cabinet for power cord and ventilation
- Ⓑ Power cord with plug

\* Oven with glass front  
\*\* Oven with metal front

Undercounter Installation With Framed Cabinet



- Ⓐ Cut-out (4" x 22" / 100 mm x 560 mm) in the bottom of the cabinet for power cord and ventilation
- Ⓑ Power cord with plug

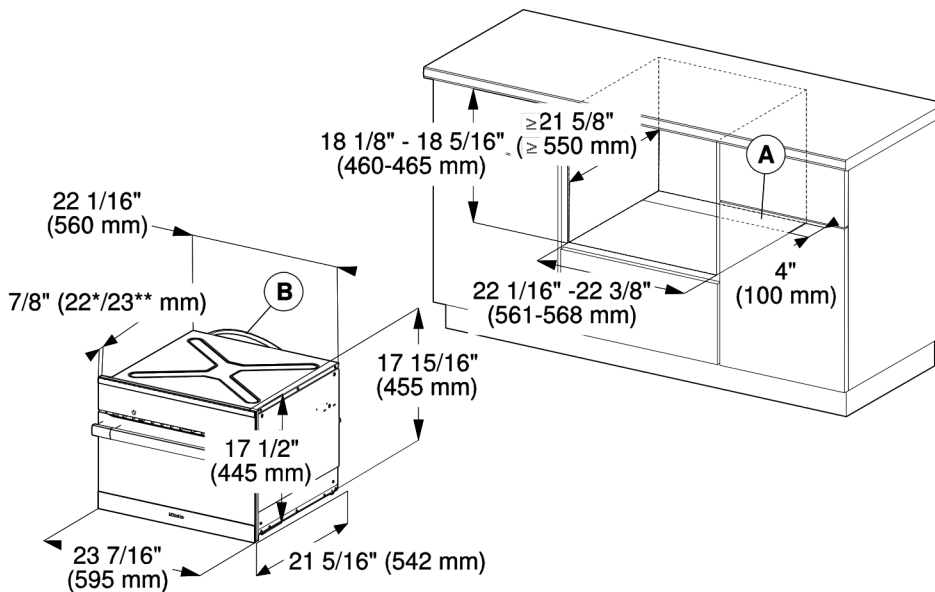
\* Oven with glass front  
\*\* Oven with metal front

# PureLine Speed Oven H 6600 BM



## INSTALLATION SPECIFICATIONS

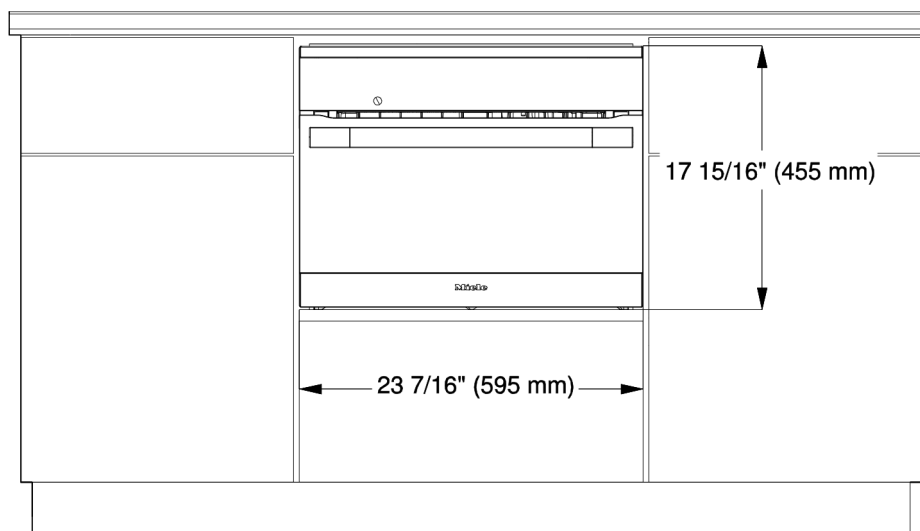
Undercounter Installation Against CounterTop



- Ⓐ Cut-out (4" x 22" / 100 mm x 560 mm) in the bottom of the cabinet for power cord and ventilation
- Ⓑ Power cord with plug

\* Oven with glass front  
\*\* Oven with metal front

Under Counter Install Against Counter Top  
Front View



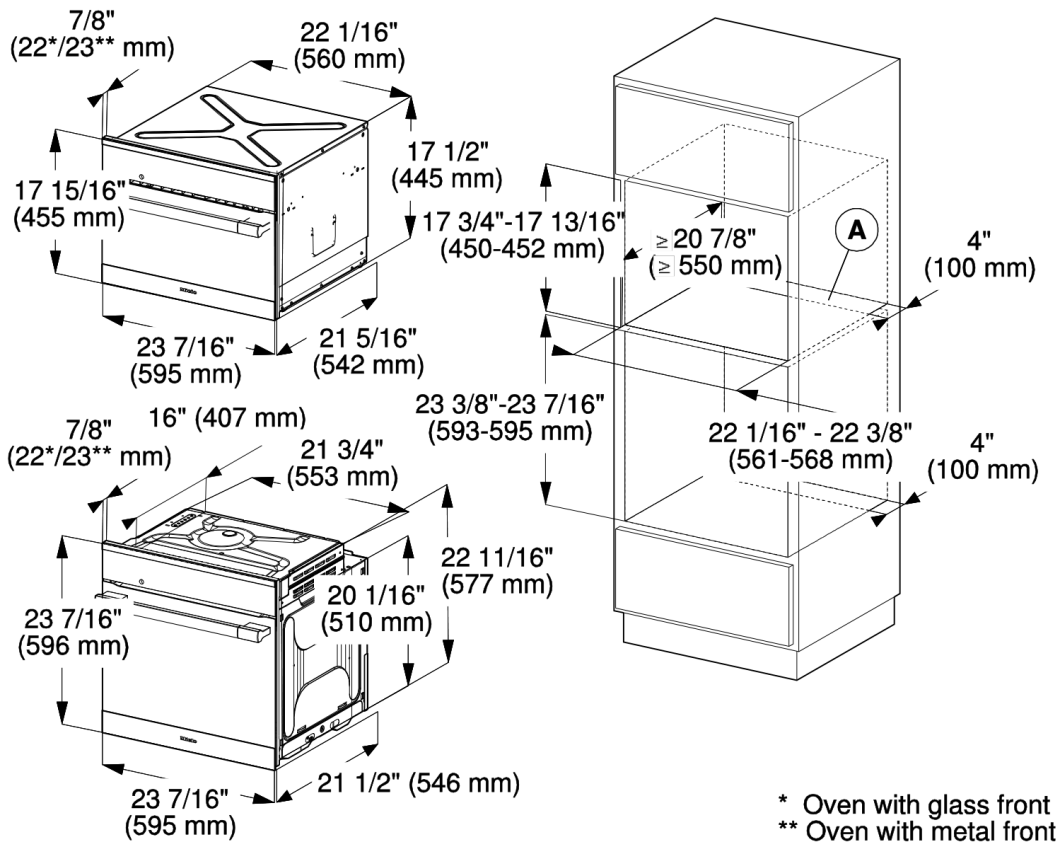


# PureLine Speed Oven H 6600 BM



## INSTALLATION SPECIFICATIONS

Stacked With 24 Inch Oven Installation



Ⓐ Cut-out (4" x 22" / 100 mm x 560 mm) in the bottom of the cabinet for power cord and ventilation

## 30" Trim Kit

EBA 6708, EBA 6708 HVBR,

EBA 6708 BRWS

EBA 6808, EBA 6808 HVBR,

EBA 6808 BRWS

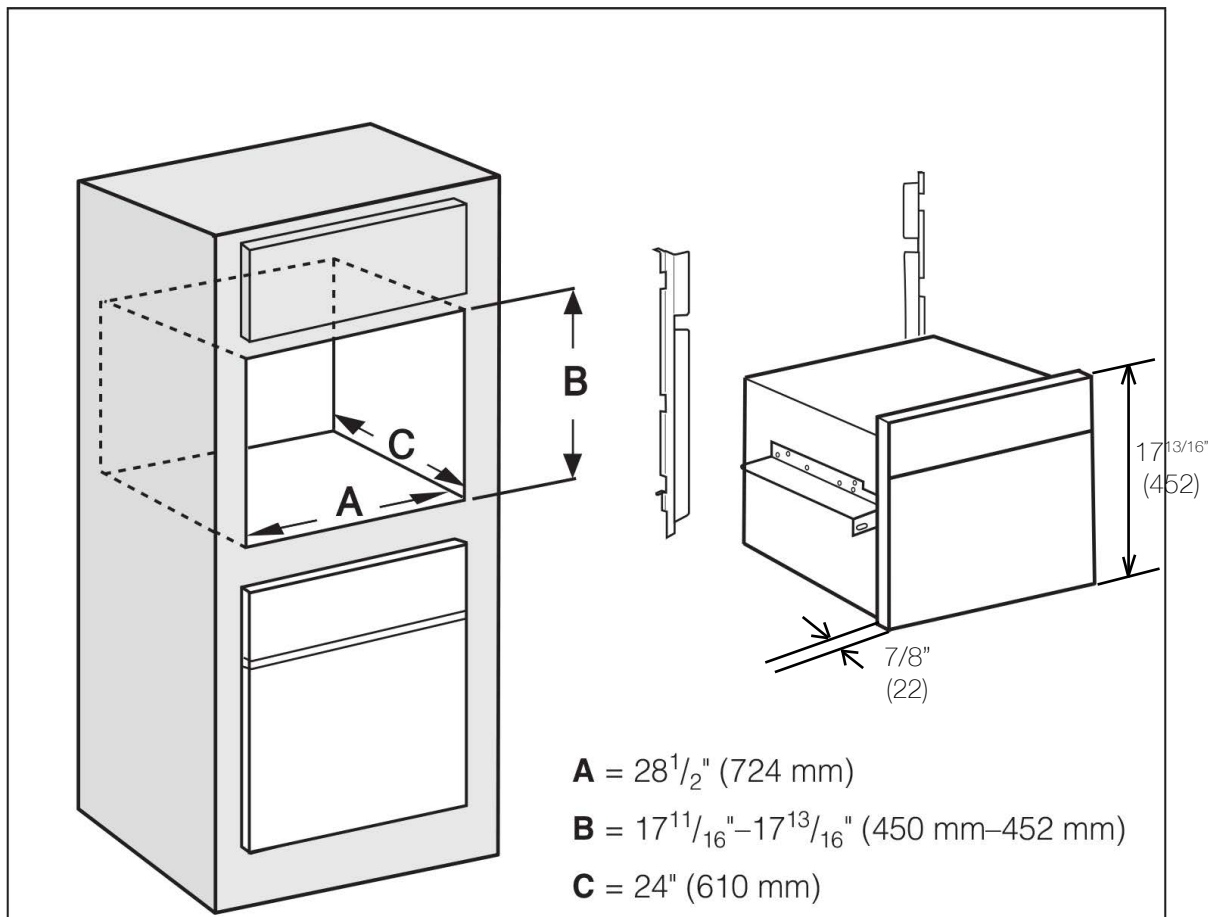


# 30" Trim Kit EBA 6708, EBA 6808



## INSTALLATION SPECIFICATIONS

Installation In Tall Niche

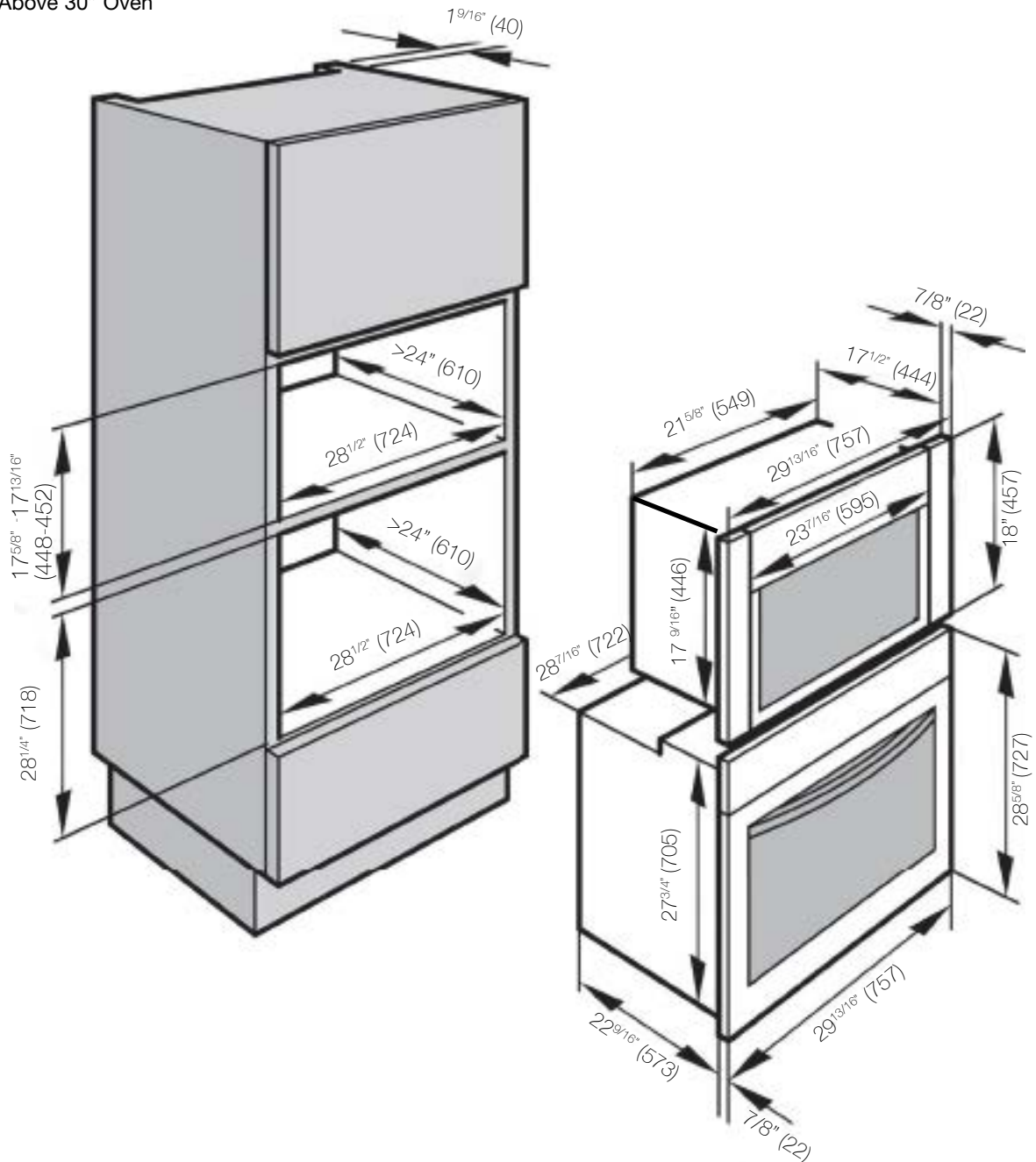


\*\* Follow the appliance's installation directions for plumbing, electrical, and ventilation.

# 30" Trim Kit EBA 6708, EBA 6808



Installation Above 30" Oven



\*\* Follow the appliance's insallation directions for plumbing, electrical, and ventalation.