

ContourLine
24" Speed Oven

H 6500 BM



ContourLine Speed Oven H 6500 BM



H 6500 BM

Features:

- SensorTronic controls: 5-line TFT display with laterally positioned sensor controls that clearly present menu content
- 19 operating modes
- Rapid Preheat
- Roast probe for perfect roasting results
- MasterChef menu offers over 100 food types to cook to perfection
- Favorites - up to 20 recipes
- 1,000 watt microwave
- Popcorn button
- Minute Plus button - time and power individually programmable
- PerfectClean interior
- Timer
- Sabbath Program
- ComfortSwivel handle moves with the motion of your wrist, creating a more ergonomic feel when opening and closing the oven door

SPECIFICATIONS

H 6500 BM — Item 22650054USA

Overall Unit Width - Excluding Fascia Dimension	22 ¹ / ₁₆ " (560 mm)
Overall Unit Height - Excluding Fascia Dimension	17 ¹ / ₂ " (445 mm)
Overall Unit Depth - Excluding Fascia Dimension	21 ⁵ / ₁₆ " (542 mm)
Oven Door Clearance	12 ⁵ / ₁₆ " (313 mm)
Overall Fascia Dimensions	23 ⁷ / ₁₆ " (595 mm) W x 17 ¹⁵ / ₁₆ " (455 mm) H x 7 ⁷ / ₈ " (22 mm) D

Built-In

Minimum Cabinet Opening Width	22 ¹ / ₁₆ " (561 mm)
Minimum Cabinet Opening Depth	21 ⁵ / ₈ " (550 mm)
Minimum Cabinet Opening Height	17 ³ / ₄ " (450 mm)
Minimum Base Support	125 lbs

Electrical

Electrical Requirements	240/208V AC, 60Hz, 20A
Power Cord	Molded NEMA 14-30 configured plug
Electrical Rating	2.2kW (240V), 1.76kW (208V)

Shipping

Shipping Weight	126 lbs
Shipping Dimensions	25 ⁵ / ₈ " W (727 mm) x 24 ¹³ / ₁₆ " (630 mm) H x 27" (686 mm) L

Support

Call Miele	800.843.7231
Miele Website	www.mieleusa.com
20/20 Link	2020technologies.com

HANDLE SPECIFICATIONS

<p>Comfort Handle: Optional with ContourLine Optional with PureLine (DS 6708 Item # 09828380)</p>	<p>ComfortSwivel Handle: Standard for ContourLine Optional for PureLine (DS 6718 Item # 09828390)</p>
--	--

Comfort Handle
standard on
H 6100 BM

ComfortSwivel Handle
standard on
H 6500 BM
H 6700 BM

Silhouette Handle:
Standard with Pureline
Optional for Contourline
(DS 6808 Item # 09828400)

Silhouette Handle (Chrome):
Standard with BrilliantWhite
(DS 6808 Item # 09828410)

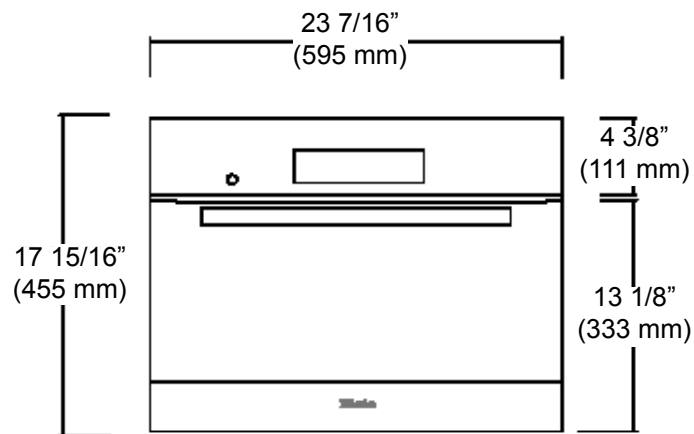
Silhouette Handle:
Standard with Truffle Brown
(DS 6808 Item # 09870690)

ContourLine Speed Oven H 6500 BM

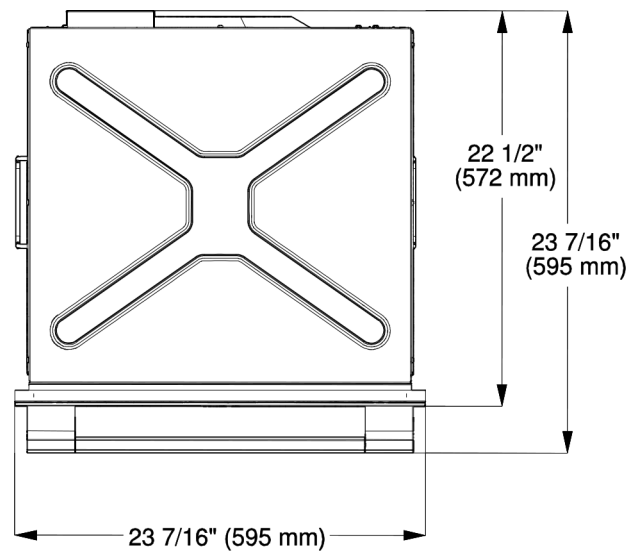


PRODUCT VIEWS

Fascia



Top View

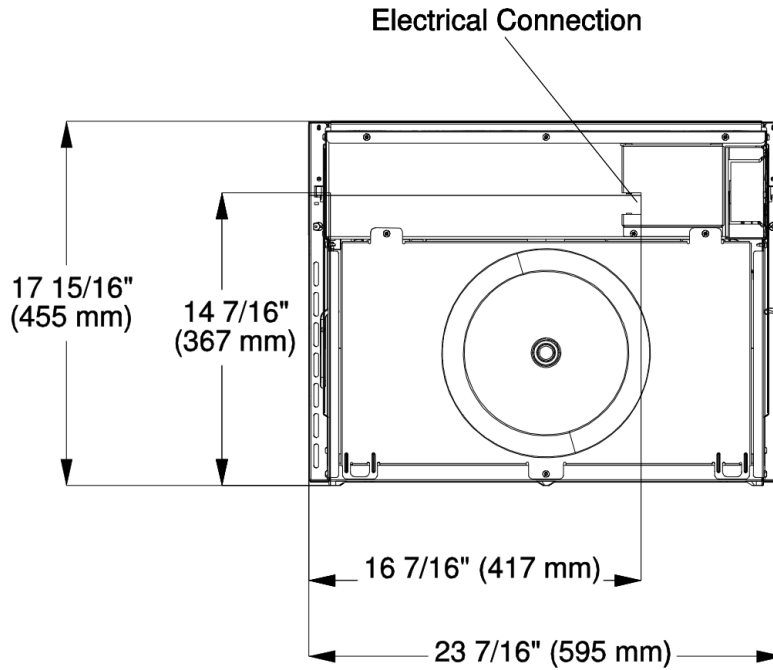


ContourLine Speed Oven H 6500 BM

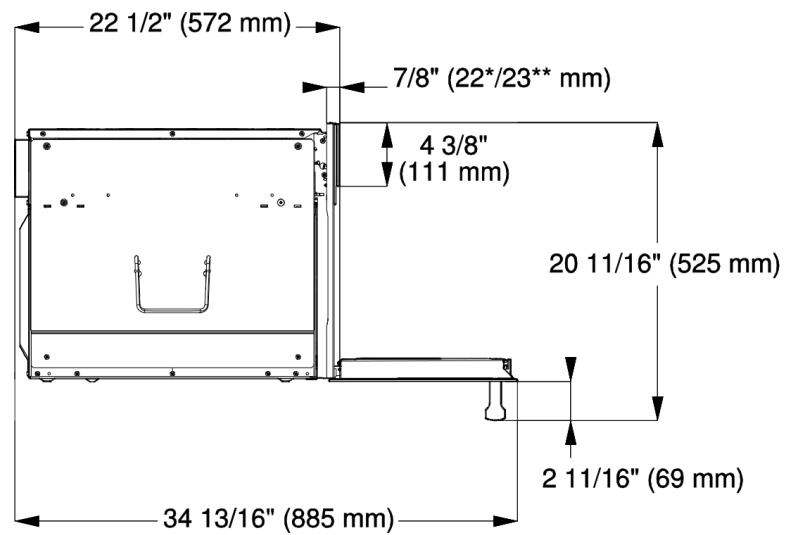


PRODUCT VIEWS

Rear View



Side View



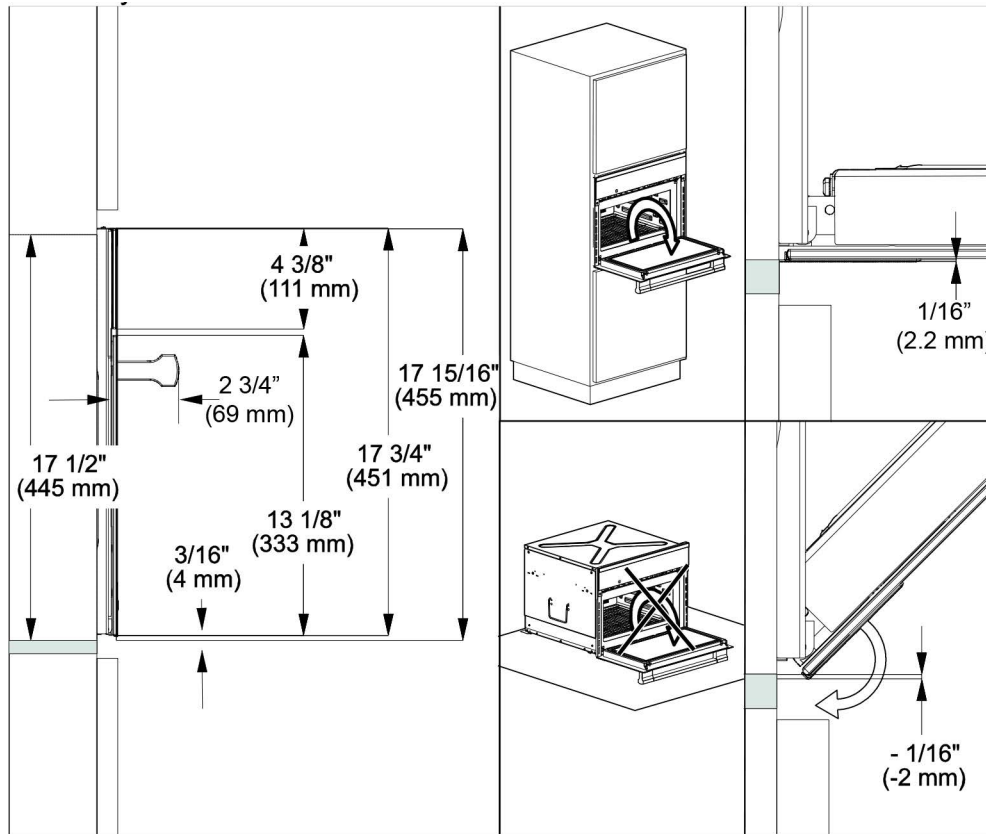
* Oven with glass frc
** Oven with metal fr

ContourLine Speed Oven H 6500 BM



INSTALLATION SPECIFICATIONS

Door Swing Details

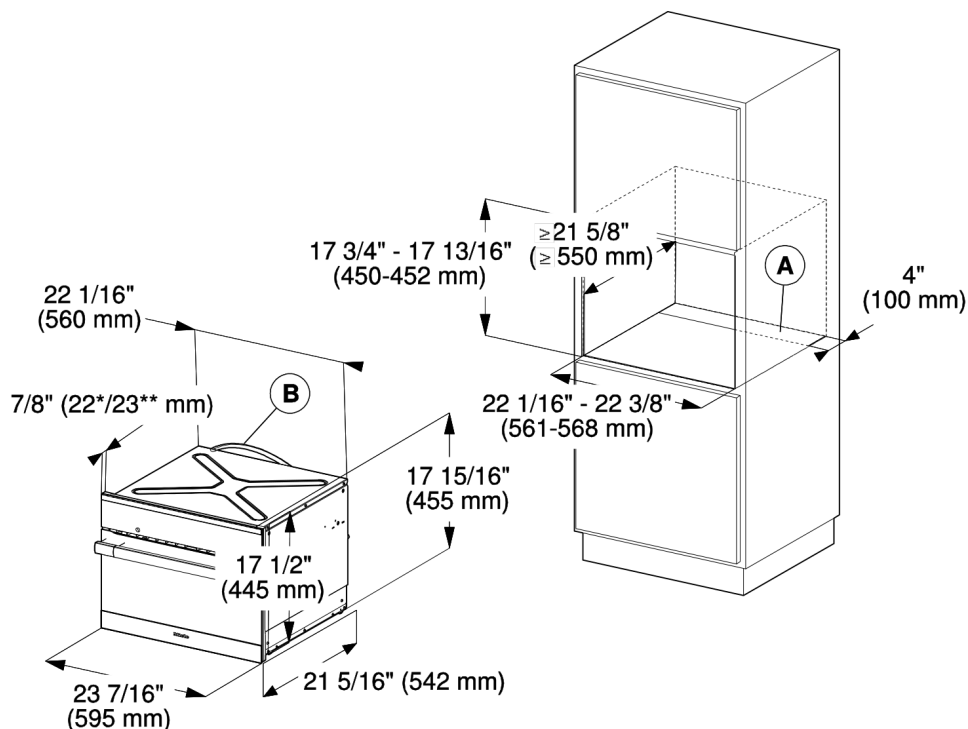


ContourLine Speed Oven H 6500 BM



INSTALLATION SPECIFICATIONS

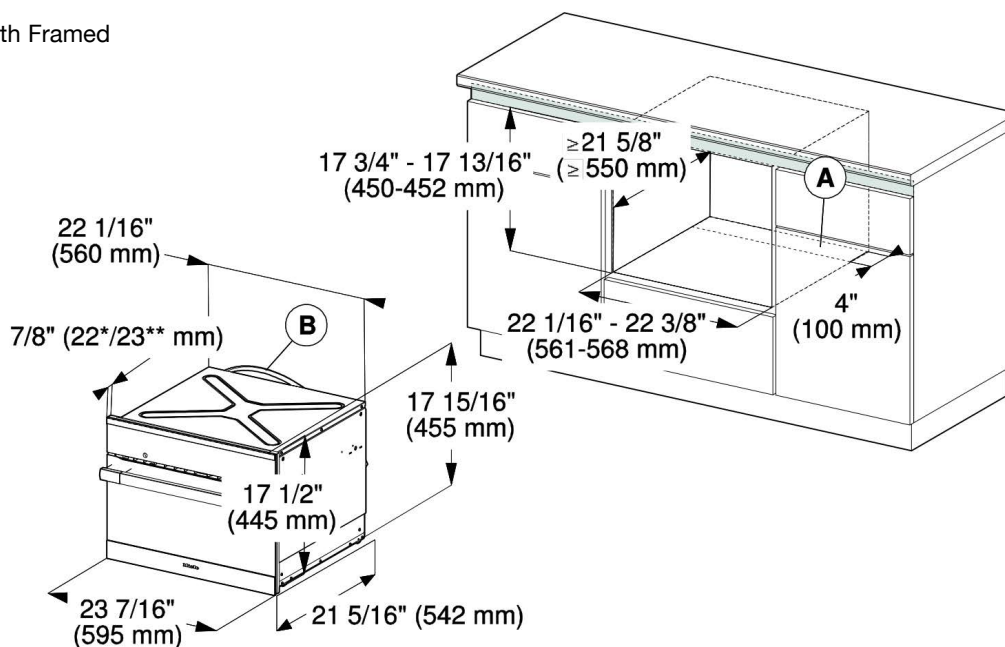
Install in Tall Cabinet



- Ⓐ Cut-out (4" x 22" / 100 mm x 560 mm) in the bottom of the cabinet for power cord and ventilation
- Ⓑ Power cord with plug

* Oven with glass front
** Oven with metal front

Undercounter Installation With Framed Cabinet



- Ⓐ Cut-out (4" x 22" / 100 mm x 560 mm) in the bottom of the cabinet for power cord and ventilation
- Ⓑ Power cord with plug

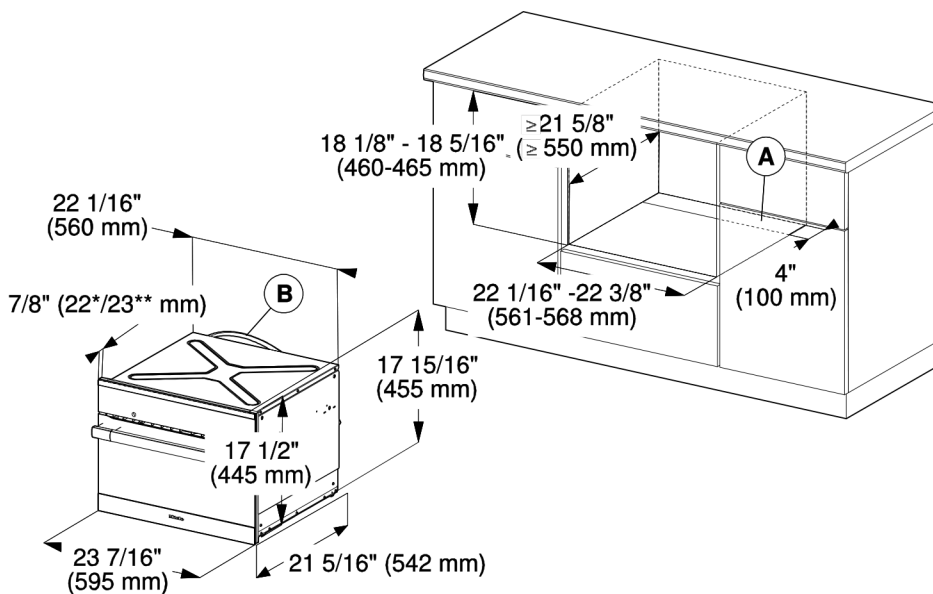
* Oven with glass front
** Oven with metal front

ContourLine Speed Oven H 6500 BM



INSTALLATION SPECIFICATIONS

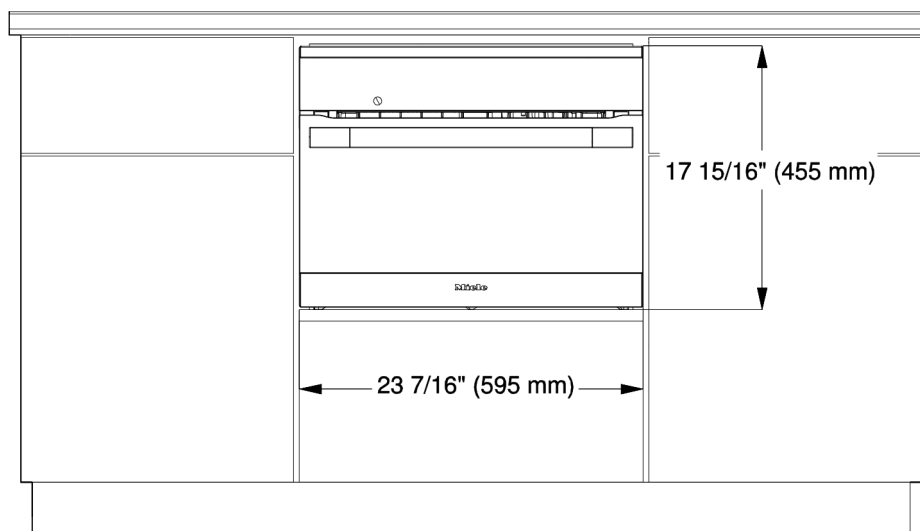
Undercounter Installation Against CounterTop



- Ⓐ Cut-out (4" x 22" / 100 mm x 560 mm) in the bottom of the cabinet for power cord and ventilation
- Ⓑ Power cord with plug

* Oven with glass front
** Oven with metal front

Under Counter Install Against Counter Top
Front View

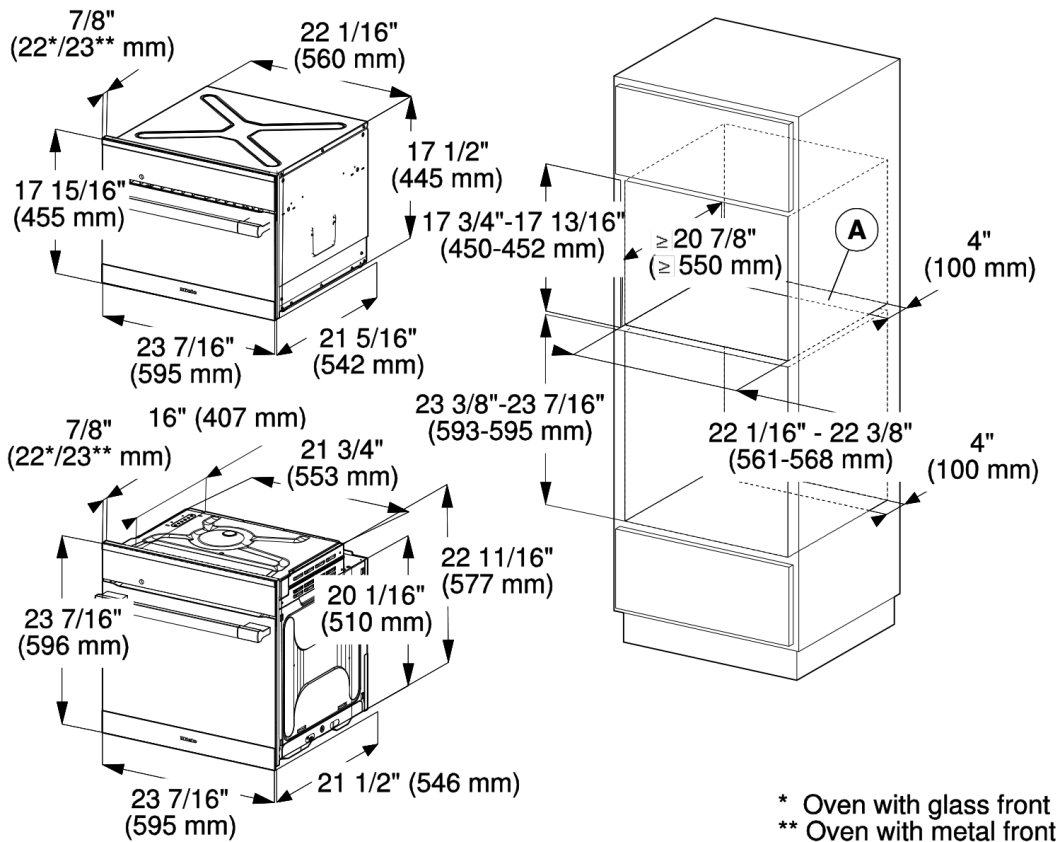


ContourLine Speed Oven H 6500 BM



INSTALLATION SPECIFICATIONS

Stacked With 24 Inch Oven Installation



30" Trim Kit

EBA 6708, EBA 6708 HVBR,

EBA 6708 BRWS

EBA 6808, EBA 6808 HVBR,

EBA 6808 BRWS

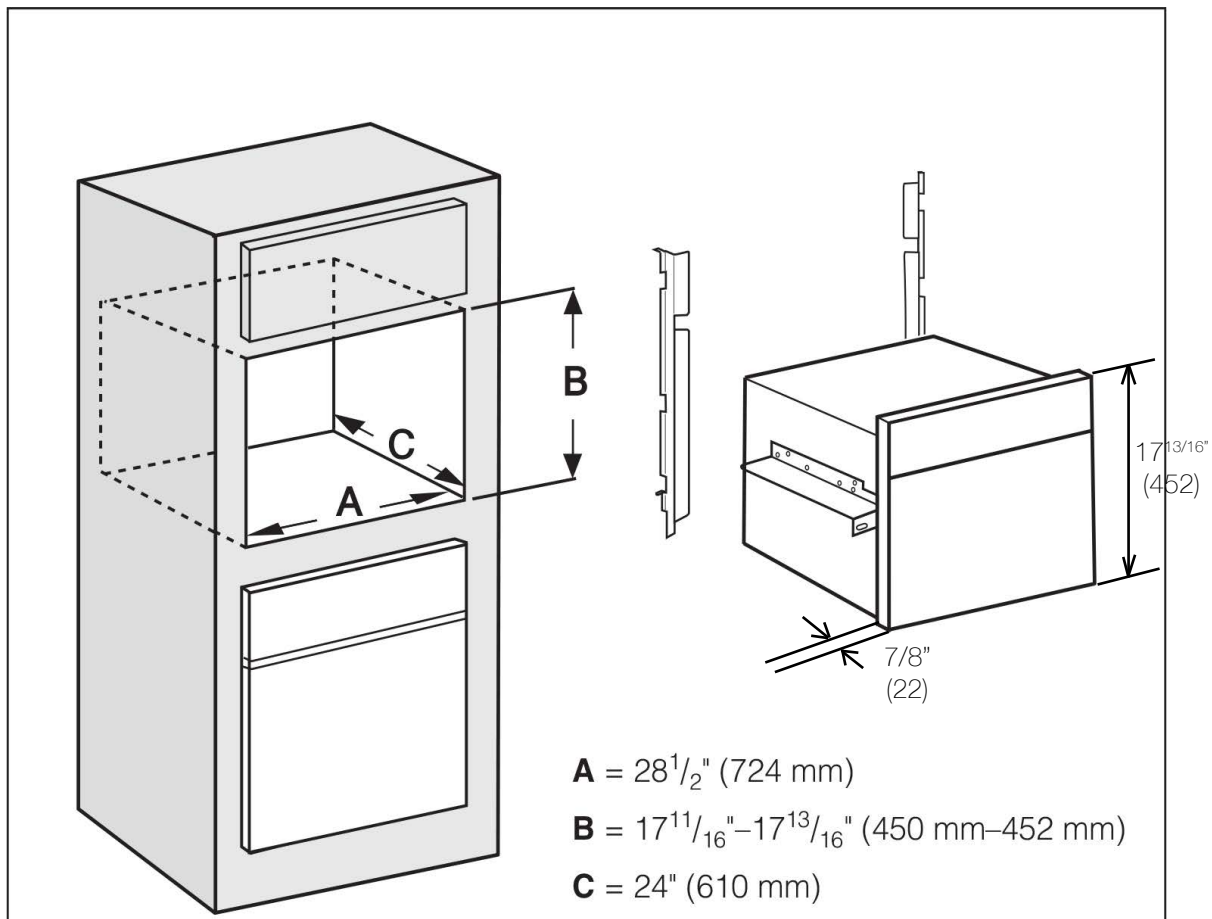


30" Trim Kit EBA 6708, EBA 6808



INSTALLATION SPECIFICATIONS

Installation In Tall Niche

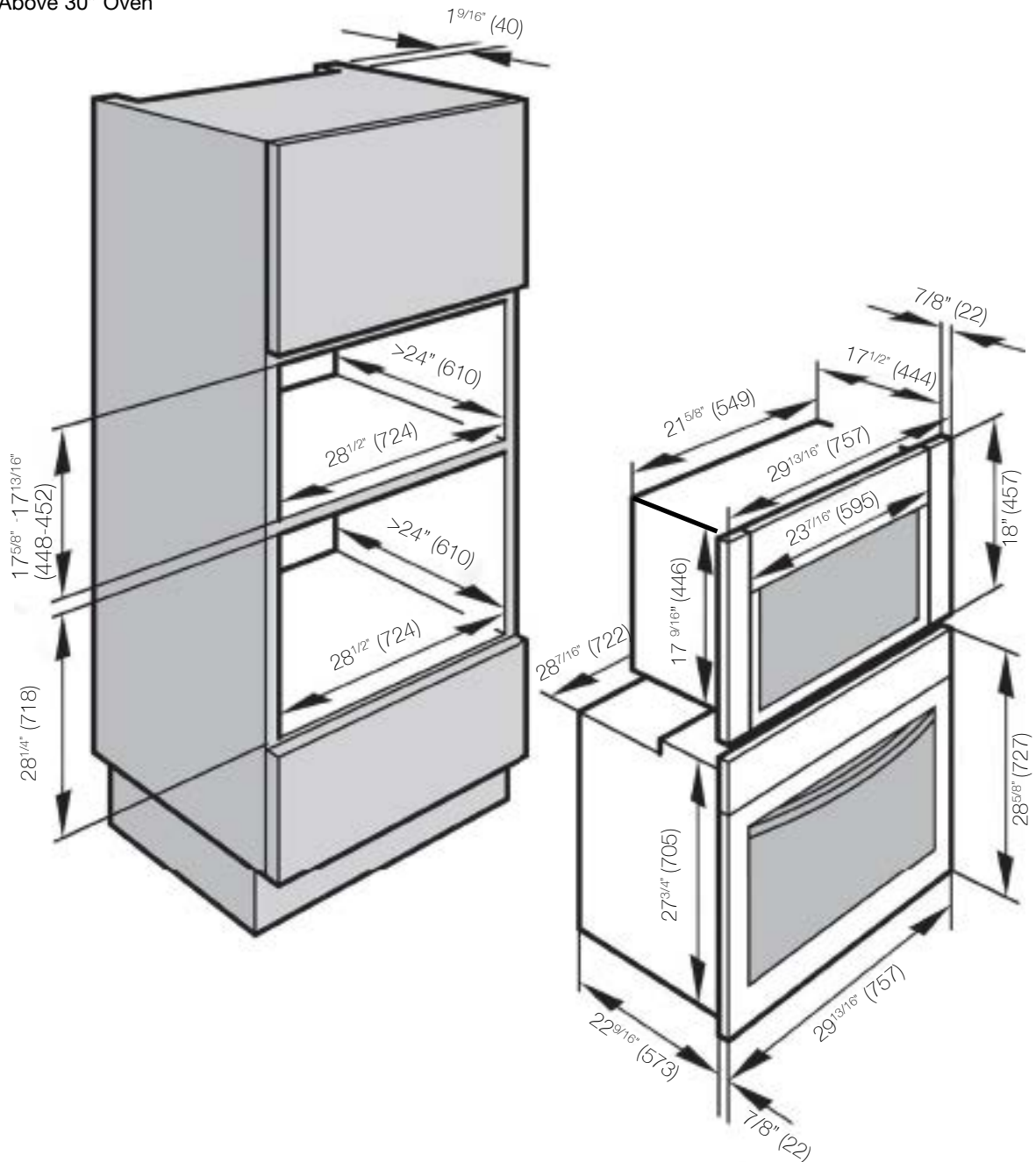


** Follow the appliance's installation directions for plumbing, electrical, and ventilation.

30" Trim Kit EBA 6708, EBA 6808



Installation Above 30" Oven



** Follow the appliance's installation directions for plumbing, electrical, and ventilation.