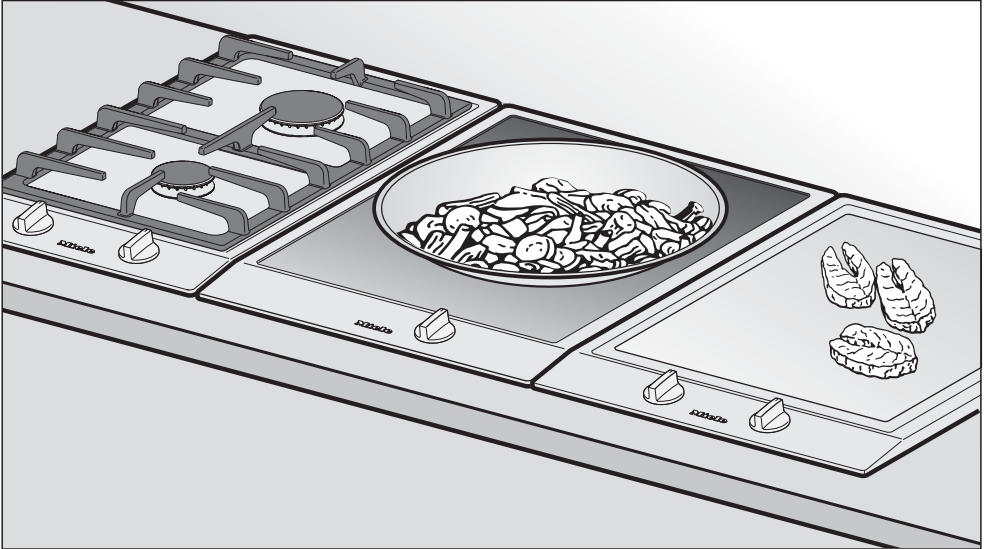


Operating and Installation Instructions



TepanYaki CS 1327

To prevent accidents and
machine damage,
read the Operating Manual
before
installation or use.

en - CA

M.-Nr. 09 054 630

Warning and safety instructions	4
Guide to the Tepan Yaki	8
Before using for the first time	9
Use	10
Turning On/Off	10
"Residual Heat" indicator	10
Settings	11
Grilling tips	12
Cleaning and care	13
Frequently asked questions	15
Technical Service, Data Plate	16
Safety instructions for installation	18
Installation	21
Cut out	23
Installation of multiple appliances	24
Attaching the spring clips and support bars	27
Installing the appliance(s)	29
General installation tips	30
Electrical connection	31
Help protect our environment	32

Warning and safety instructions

This appliance complies with all applicable safety codes and regulations.

To avoid the risk of accidents and damage to the appliance:
Please read these instructions carefully before installation and before using the appliance for the first time.

Follow important notes on the installation, safety, operation and care of the appliance. This will prevent injury and appliance damage.

Keep these operating instructions in a safe place and pass them on to any future user.

Correct usage

- ▶ This appliance is intended for domestic and similar uses only, such as
 - stores, offices and other similar work environments,
 - in farming estates,
 - by customers in hotels, motels, bed & breakfasts and other typical residential environments.
- ▶ Use the appliance only in household-type situations for the preparation and warming of food. All other types of use are not permitted. Miele cannot be held liable for damage resulting from incorrect or improper use.
- ▶ This appliance is not intended for outdoor use.
- ▶ Individuals who are incapable of using the appliance safely because of their physical, sensory or mental capabilities, or their lack of experience or knowledge, must not use this appliance without supervision or instruction by a responsible person.

Warning and safety instructions

Children

- ▶ Always supervise any children in the vicinity of the barbecue. Never let children play with the appliance.
- ▶ Children may use the appliance only if they have received sufficient instruction to operate it safely. Children must then be able to recognize the potential dangers of improper use.
- ▶ The barbecue is hot during use and remains so for some time after being switched off. Keep children away from the appliance until it has cooled down. Danger of burns.
- ▶ Keep the spaces above and behind the barbecue clear of any items that could draw the interest of a child. Otherwise, a child might be tempted to climb on the appliance. Danger of burns!
- ▶ Be sure that children cannot access the drain valve on the appliance, potentially releasing hot water.
- ▶ Packing materials (e.g. cling wrap, styrofoam) can be dangerous for children because of the danger of suffocation. Ensure that any packing material is disposed of safely and kept out of the reach of children.

Technical safety

- ▶ Before installation, check the appliance for visible signs of external damage. Do not operate a damaged appliance. A damaged appliance may endanger your safety!
- ▶ The electrical safety of the appliance can only be guaranteed when there is proper grounding that complies with applicable safety regulations. It is imperative that this basic safety requirement be met. In case of doubt, have the electrical system checked by a qualified electrician. Miele cannot be held liable for damages resulting from an inadequate grounding system (for example, electric shock).
- ▶ Before installing the appliance, make sure that the electrical rating (voltage and frequency) shown on the data plate corresponds to the household electrical supply. These ratings must match, in order to avoid damaging the appliance. If in doubt, consult a qualified electrician.
- ▶ To ensure safe operation, use the appliance only after it has been properly installed in place.
- ▶ Do not under any circumstances open the housing of the appliance. Any contact with connections carrying voltage, or changes in the electrical or mechanical set-up, will endanger you and may impair the functioning of the appliance.

Warning and safety instructions

► Installation, repair and maintenance work should be performed by a Miele authorized service technician.

Installation, maintenance or repair work by unqualified persons could pose serious risks to the user for which Miele will not be held liable.

► When performing installation or maintenance work or repairs, the appliance must be disconnected from the power supply. It is only completely isolated from the electrical supply when one of the following conditions is met:

- the circuit breaker in the electrical panel is tripped,
- the plug fuse is removed from the electrical panel,
- the power cable is disconnected from the power supply.
Pull the plug, not the cord, to disconnect the appliance from the power supply.

► Repair of the appliance during the warranty period should be performed only by a service technician who is authorized by Miele; otherwise, should damage result, it will not be covered by the warranty.

► The appliance is not intended for use with an external timer or a remote control system.

► Defective components should be replaced by Miele original spare parts only. Only with these parts can Miele guarantee the safety of the appliance.

► If the power cord is damaged, it must be replaced by a qualified electrician with a special power cord (type H 05 VV-F, PVC-insulated), which is available from Miele or from Technical Service.

► Do not connect the appliance to the power supply by a power bar or an extension cord, as they do not ensure the required safety of the appliance (danger of overheating, for example).

► If the plug is removed from the power cord to hardwire the appliance, it must be installed and connected by a qualified electrician. This should be performed by a qualified electrician in compliance with all local and national codes, and requirements. Miele will not be held liable for damages resulting from improper installation or connection.

Warning and safety instructions

Correct use

▶ The appliance is hot during use and remains so for some time after being switched off.

Caution: Danger of burns!

▶ Never leave an appliance unattended at high settings or when cooking with oil or fat. Overheated oil could ignite. Always heat oil slowly, monitoring it as it heats.

▶ If hot fat or oil catches fire, NEVER use water to douse the flames. Use a pot lid, wet dishtowel, or similar item to smother the fire.

▶ Never use the appliance to heat a room. Due to the high temperatures radiated, objects left near the appliance could catch fire.

▶ Protect your hands with heat-resistant oven mitts or potholders when using the appliance. Use only dry potholders, make sure they are not damp or wet, as this causes heat to transfer through the material more quickly with the risk of scalding or burning yourself.

▶ Do not use the appliance as a storage surface.

If it is accidentally turned on or there is residual heat, metallic objects can heat up and cause burns.

Other items may melt or catch fire.

Always turn the appliance off after use!

▶ Installation of several units

Do not place hot pots or pans on the spacing strips because they could damage the seal of the spacing strips.

▶ Do not cover the appliance with, for example, a cover, a cloth or protective film. If it is turned on by mistake or there is residual heat there is a danger that the material will ignite, explode or melt.

▶ NEVER use the appliance to heat up closed containers, e.g., canned foods. The increased pressure can cause the containers/cans to explode, and this carries the danger of injury and burns.

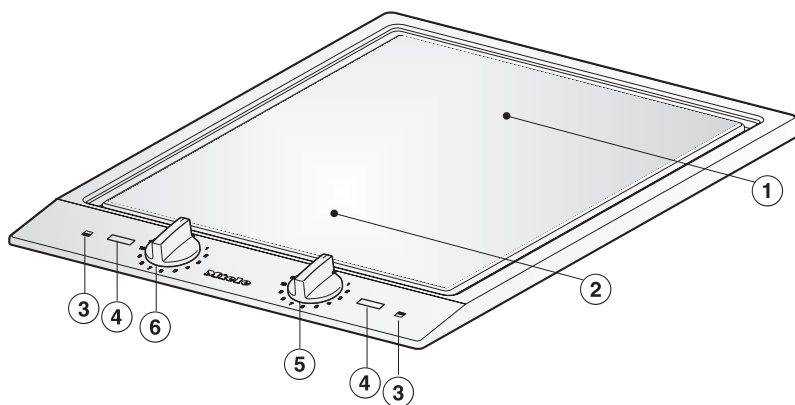
▶ If you use an electric small appliance, such as a hand mixer, in the vicinity of the TepanYaki, make sure that the power cord does not come into contact with the hot TepanYaki. This could damage the insulation on the cord. Danger of electric shock.

▶ Always cook food thoroughly. Temperatures must be high enough, and the cooking times long enough, to kill any germs in the food.

▶ If the appliance is built in behind a panelled door, it should only be operated with the door open. Close the door only when the appliance is shut off and has cooled down.

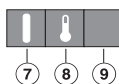
Miele cannot be held liable for damage caused by failure to comply with these safety instructions and warnings.

Guide to the Tepan Yaki



- ① Rear cooking zone
- ② Front cooking zone
- ③ Cooking zone indicators
- ④ Display
- ⑤ Control knob, rear cooking zone
- ⑥ Control knob, front cooking zone

Display



- ⑦ On/Off indicator
- ⑧ Temperature control light
- ⑨ "Residual Heat" indicator

Standard accessories

2 stainless steel spatulas

Attach the data plate found in the documents for your appliance in the locations indicated in "Data Plate."

Initial cleaning

- Remove any protective foil.
- Clean the appliance with hot water and some dish liquid. Then dry all parts with a soft cloth.


The metal components are protected with a preservative. This may cause a slight odour when the appliance is used for the first time.

This odour and any vapour will dissipate after a short while, and are not an indication of a faulty connection or appliance defect.

Use



The Tepan Yaki is divided into two heating areas, which can be used and adjusted separately. For large quantities, you can use the entire surface for cooking. For smaller quantities, you can, for example, cook in the front and keep food warm at the back, at a lower setting.

Turning On/Off

 Do not leave the appliance unattended while in use.

To turn the Tepan Yaki **on**, turn the knob to the **clockwise**. To turn it **off**, turn the knob to the **counterclockwise**.

Do not turn the knob past "12" to reach "0".

When the appliance is switched on, the On/Off indicator  and temperature control light  come on. The temperature control light "responds" to the heating element in the appliance, i.e. it only comes on when the Tepan Yaki is actively heating.

"Residual Heat" indicator

Once switched off, the appliance displays a residual heat indicator.

The indicator turns off once the appliance is cool enough to touch.

Do not touch the burner or rest any objects on the appliance when the residual heat indicator is on. Danger of burns!

Settings

Cooking	Setting Range
Keep cooked foods warm	1 - 2
Sauté fruit, e. g. diced apples, halved peaches, sliced bananas, etc.	2 - 4
Sauté vegetables, e. g. sliced mushrooms, onions, peppers, etc.	5 - 7
Gently fry fish	7 - 9
Quickly fry meat, firm fish, eggs, pancakes, crepes, etc.	9 - 11
Fry shrimp, corn on the cob, etc.	11 - 12


These settings are intended as guidelines only. The cooking time depends on the type, preparation, and thickness of the food item.

Use

Grilling tips

Before each use, wipe the griddle with a damp cloth, to remove dust or other residue.

- It is best to pre-heat the appliance for 8-10 minutes, at the preferred cooking temperature. For power settings 9 to 12, pre-heat at level 12.
- When cooking meat, the appliance should be hot, otherwise too much moisture will be lost from the meat.
- Generally, the appliance requires very little fat or oil for cooking, and none is needed for marinated items. If you are using some fat or oil, do not add it to the appliance until the temperature control light has switched off.
- Only use fats/oils that can tolerate high temperatures.
- To minimize splattering, dry moist foods with a paper towel before cooking.

 Do not use a steam cleaner to clean the appliance. Steam could penetrate electrical components and cause a short circuit.

Clean the whole appliance after every use. First, let the appliance cool down. Dry it after every damp cleaning; this prevents limescale buildup.

To avoid damage to the surface do not use any

- cleaning agents containing soda, ammonia, alkaline, acid or chloride,
- limescale removers,
- spot and rust removers,
- abrasive cleaning agents, e.g. powder or cream cleansers, pumice stone,
- cleaners containing solvents,
- dishwasher detergent,
- barbecue and oven spray cleaners,
- glass cleaners,
- hard scouring brushes and sponges (such as pot scrubbers) or used sponges that still contain abrasive residues,
- sharp objects (they could damage the seals between the frame and the countertop).

Cleaning and care

For stainless steel cleaners, follow the instructions on the package.

Tepan plate

Promptly remove any heavy soiling with a spatula.

Then let the appliance cool until it is safe to the touch, add some soapy dishwasher, and let the grime soak. Clean the appliance with the rough side of a dish sponge and a few drops of Miele ceramic and stainless steel cleaner (see "Optional accessories"). Wipe off the tepan plate with clean water and dry it with a clean, dry cloth.

Always wipe with clean water to rinse. This will eliminate any cleanser residue that might otherwise come into contact with food items the next time the tepan yaki is used.

NEVER use stainless steel cleanser on the tepan plate!

Stainless steel surround / control panel

Clean the stainless steel surround / control panel with a few drops of Miele ceramic and stainless steel cleaner (see "Optional accessories") and a soft, damp cloth.

Printing (Power levels)


Do not use stainless steel cleaner on or near the printing. This would rub off the printing.

Control knob

To clean the control knob, use only a soft sponge with some dishwashing liquid and warm water. Pre-soak any stubborn residue before cleaning.

Dry all parts with a clean, soft cloth after cleaning.

Frequently asked questions

 Repairs should only be carried out by an authorized technician in accordance with local and national safety regulations. Unauthorized repairs could cause injury or appliance damage. The manufacturer cannot be held responsible for unauthorized work.

What if the appliance does not heat up after it is turned on?

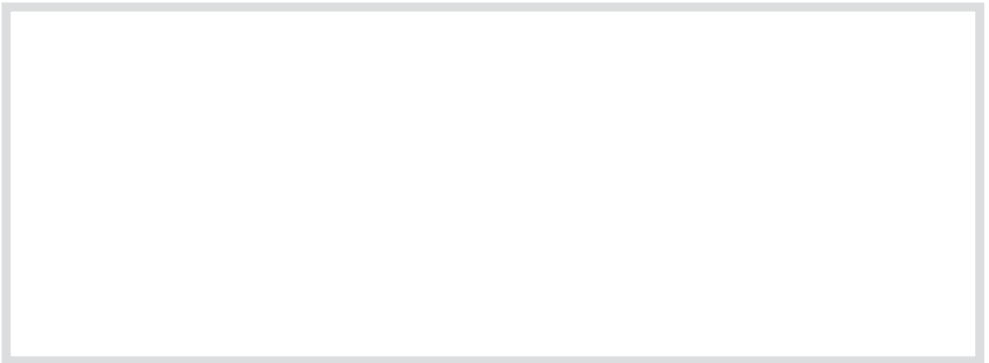
Possible fault	Solution
The circuit breaker has tripped.	Check whether a fuse is blown. If the problem persists contact Miele.

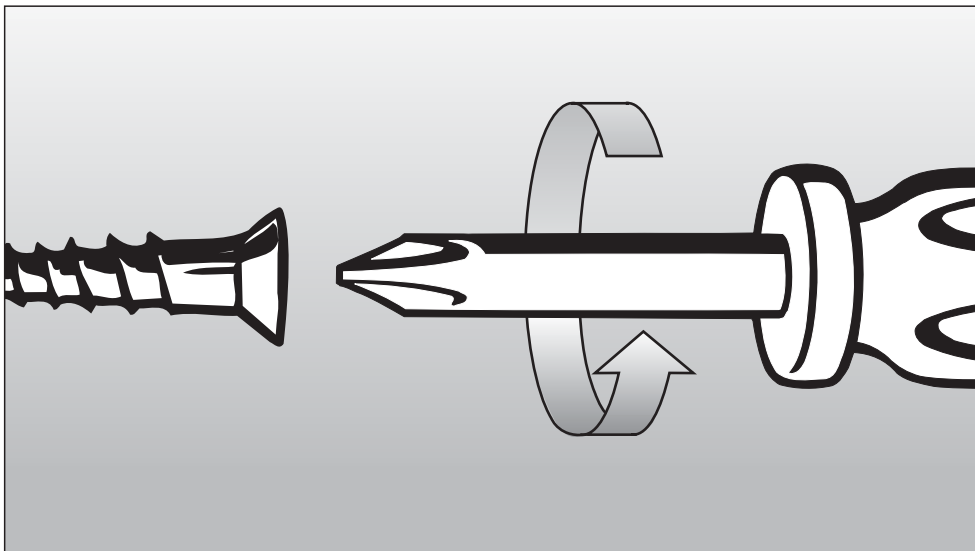
Technical Service, Data Plate

In the event of a fault which you cannot easily fix yourself, please contact the Miele Technical Service Department at the address on the back of this booklet.

When contacting Technical Service please quote the serial number and model of the appliance. This information is visible on the silver data plate supplied with the appliance.

Adhere the included data plate and make sure the model designation matches up details on the cover page of this manual.





Installation Instructions

IMPORTANT: SAVE FOR THE LOCAL ELECTRICAL INSPECTOR'S USE

Safety instructions for installation

To avoid damage to the appliance, it should not be installed until the upper cabinet and exhaust hood have already been mounted.

▶ The countertop veneers must be affixed with heat-resistant glue (100°C), so that they do not become deformed or detached.

The backsplash must be heat-resistant as well.

▶ The appliance is not to be used in mobile installations such as ships.

▶ The appliance must not be installed over a dishwasher, washer, dryer, refrigerator or freezer. Heat radiated by the appliance may damage them.

▶ The electrical connection should be arranged in such a way that it remains easily accessible once the appliance has been installed.

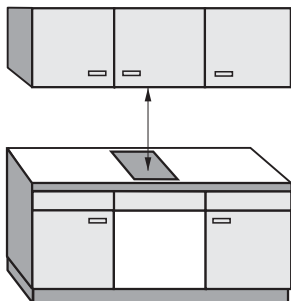
▶ You must ensure the power cable for the appliance will not be subject to any mechanical strain after installation.

▶ Make sure to carefully observe the clearance distances listed on the following pages.

▶ Never use joint sealant unless it is explicitly called for in the instructions. The seal underneath the appliance provides sufficient seal with the counter top.

Safety instructions for installation

Upper clearance



If there are several appliances beneath the exhaust hood, e.g., a gas appliance and an electric appliance, and there are different clearance distances listed in the Operating and installation instructions, always choose the greatest distance.

The minimum clearance between the appliance and an exhaust hood above will be listed by the hood manufacturer.

If the hood manufacturer's instructions are not available or if flammable objects are installed over the appliance (e.g. cabinets, utensil rail, etc.), a minimum safety distance of 760 mm (30") must be maintained.

Safety instructions for installation

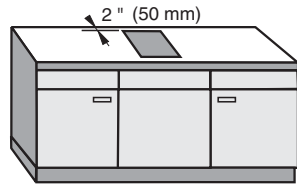
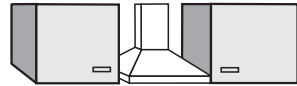
Safety distances to the sides of the appliance

The appliance should only be installed as shown in the illustrations, while maintaining the required safety distances shown. Do not install the appliance between two tall cabinets, this is a fire hazard.

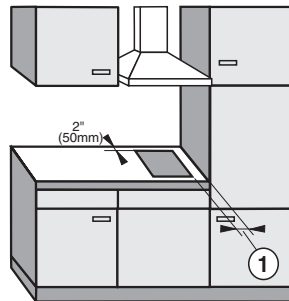
A distance of at least 2" (50 mm) must be kept between the countertop cut-out and the rear wall because of the high temperatures radiated.

The minimum distance ① between the worktop cut-out and a wall or tall unit to the right or left of it is:

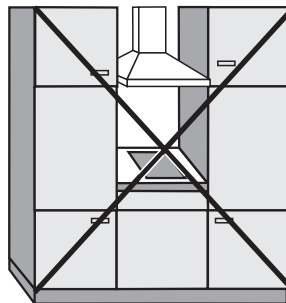
2" (50mm)	for	CS 1112 CS 1122 CS 1212 CS 1212-1 CS 1221 CS 1223 CS 1326 CS 1327
6" (150 mm)	for	CS 1322 CS 1421
10" (250 mm)	for	CS 1012 CS 1012-1 CS 1028



recommended



not recommended



not permitted

Safety distance from the wall covering

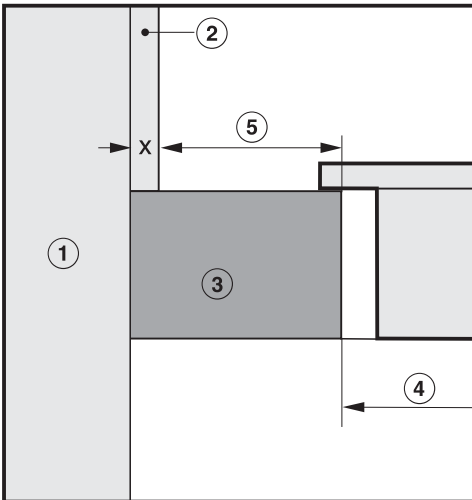
If a wall covering is installed, a minimum safety distance must be maintained between the countertop cut-out and the covering, since high temperatures can damage these materials.

If the covering is made of a combustible material (such as wood), the distance between the countertop cut-out and the wall covering must be a minimum of 2" (50 mm).

For coverings made of non-combustible materials (such as metal, marble, granite, ceramic tiles) the minimum safety distance ⑤ between the countertop cut-out and the wall covering must be 2" (50 mm) minus the thickness of the covering.

For example: thickness of wall covering 9/16" (15 mm)

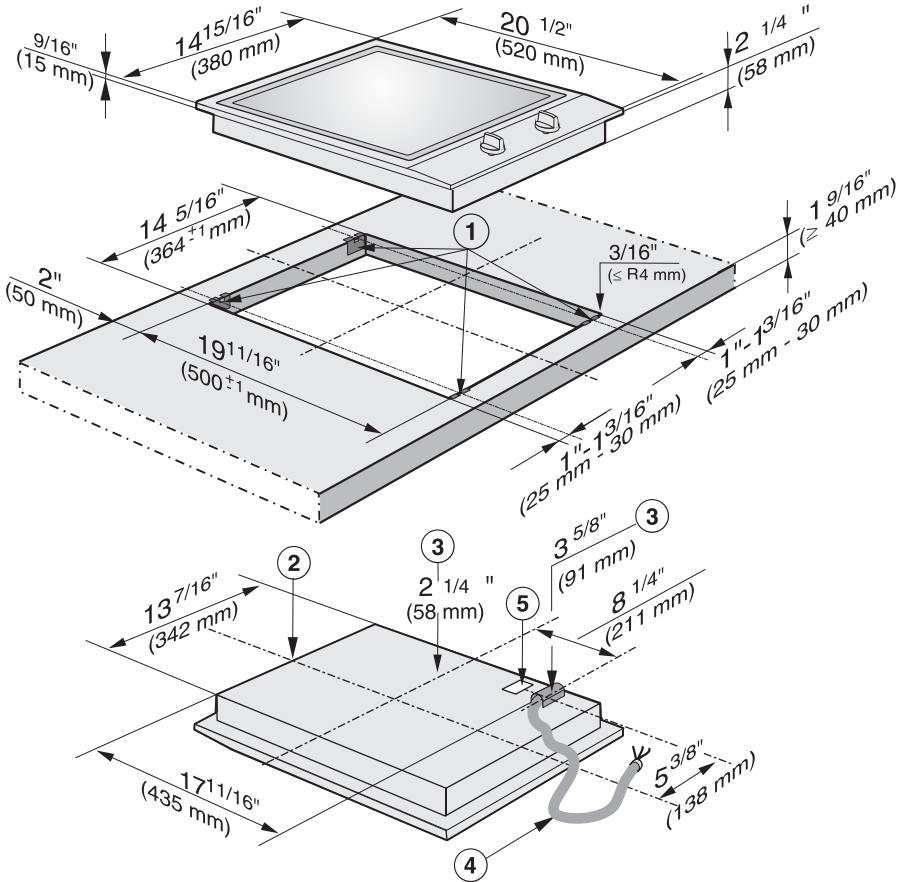
2" (50 mm) - 9/16" (15 mm) = minimum safety distance 1 3/8" (35 mm).



- ① Wall frame
- ② Wall covering
x = thickness of the wall covering
- ③ Countertop
- ④ Countertop cut-out
- ⑤ Minimum safety distance
with flammable materials 2" (50 mm)
with non-flammable materials 2" (50 mm) minus **x**

Installation

Installation dimensions



- ① Spring clips
- ② Appliance front
- ③ Installation height
- ④ Power supply cable (encased in flexible metal conduit),
L = 78 3/4" (2000 mm)
- ⑤ Data plate

Cut out

- Make the worktop cut-out for one or more appliances as applicable. Remember to maintain a **minimum safety distance** from the **back wall**, as well as from any **tall unit or side wall** to the right or left of the appliance(s). See also "SAFETY INSTRUCTIONS FOR INSTALLATION".
- Seal the cut surfaces with a suitable sealant to avoid swelling caused by moisture. The materials used must be heat resistant.

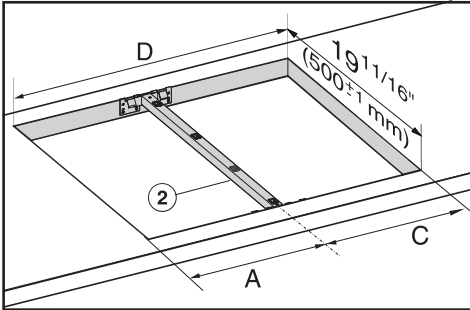
If during installation the seal around the frame does not sit flush with the countertop in the corners, the corner radius, maximum $\frac{3}{16}$ " (4 mm), can be carefully filed down to fit.

Installation

Installation of multiple appliances

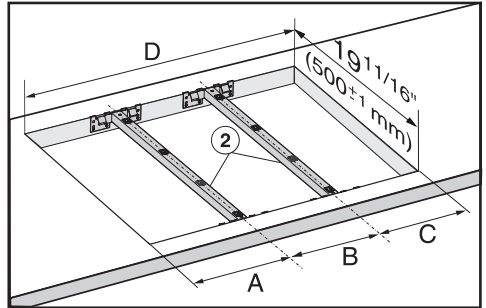
When installing more than one combiset appliance, a support bar ② must be installed between the appliances.

Countertop cut-out two appliances



For the installation of **two appliances** the width of the countertop cut-out D is the sum of A and C.

Countertop cut-out three appliances



For the installation of **three appliances** the width of the countertop cut-out D is the sum of A and B and C.

A, B and C = appliance widths $11 \frac{5}{16}$ " , 15" or $22 \frac{11}{16}$ "
(288 mm, 380 mm or 576 mm) **minus** $\frac{5}{16}$ " (8 mm) to allow for the overhang

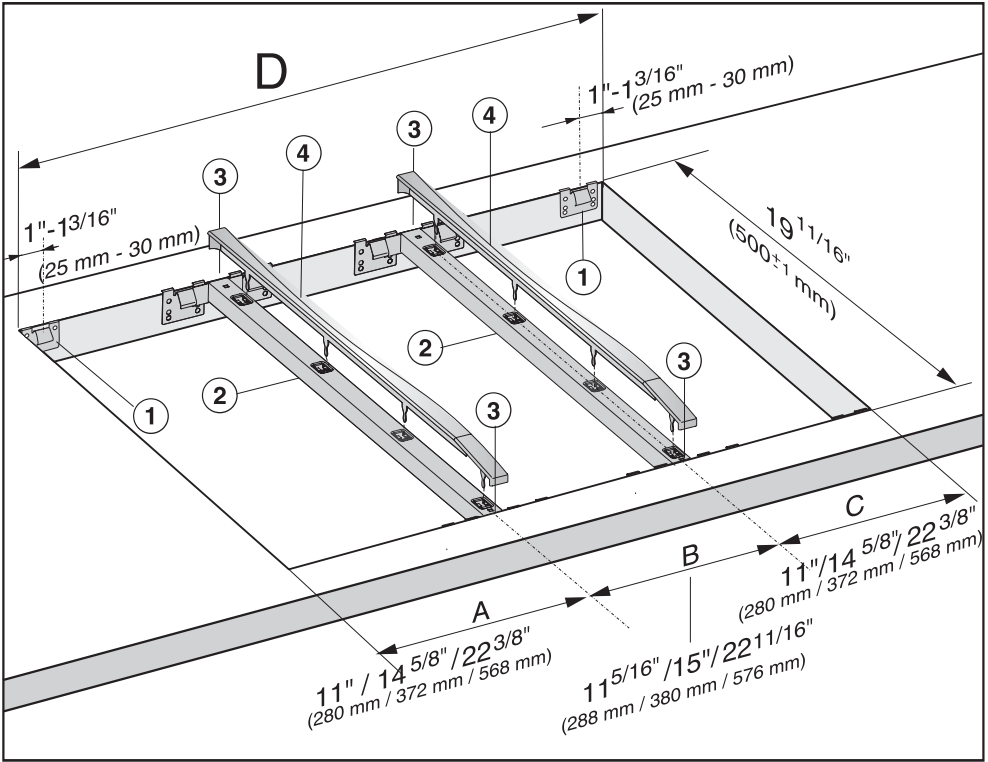
D = width of the countertop cut-out

If **more than three appliances** are being installed, you will need to add, A, B or C for each additional appliance.

Sample calculations for a countertop cut-out for three appliances

A appliance width minus $\frac{5}{16}$ " (8 mm)	B appliance width	C appliance width minus $\frac{5}{16}$ " (8 mm)	D Countertop cut-out
11" (280 mm)	$11 \frac{5}{16}$ " (288 mm)	11" (280 mm)	$33 \frac{3}{8}$ " (848 mm)
11" (280 mm)	15" (380 mm)	$14 \frac{5}{8}$ " (372 mm)	$40 \frac{5}{8}$ " (1032 mm)
11" (280 mm)	$22 \frac{11}{16}$ " (576 mm)	$22 \frac{3}{8}$ " (568 mm)	$56 \frac{1}{16}$ " (1424 mm)
$14 \frac{5}{8}$ " (372 mm)	$11 \frac{5}{16}$ " (288 mm)	11" (280 mm)	37" (940 mm)
$14 \frac{5}{8}$ " (372 mm)	15" (380 mm)	$14 \frac{5}{8}$ " (372 mm)	$44 \frac{1}{4}$ " (1124 mm)
$14 \frac{5}{8}$ " (372 mm)	$22 \frac{11}{16}$ " (576 mm)	$22 \frac{3}{8}$ " (568 mm)	$59 \frac{11}{16}$ " (1516 mm)
$22 \frac{3}{8}$ " (568 mm)	$11 \frac{5}{16}$ " (288 mm)	11" (280 mm)	$44 \frac{3}{4}$ " (1136 mm)
$22 \frac{3}{8}$ " (568 mm)	15" (380 mm)	$14 \frac{5}{8}$ " (372 mm)	52" (1320 mm)
$22 \frac{3}{8}$ " (568 mm)	-	$22 \frac{3}{8}$ " (568 mm)	$44 \frac{3}{4}$ " (1136 mm)

Installation



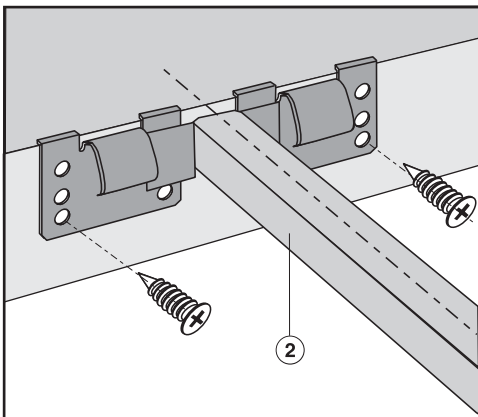
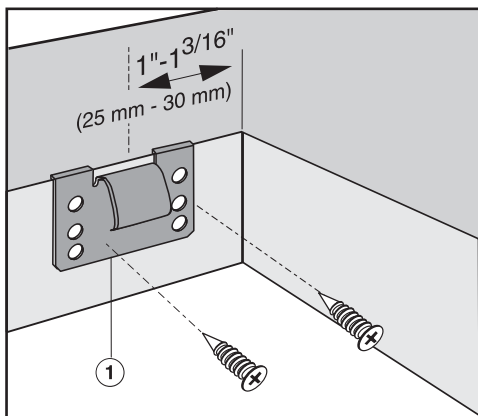
- ① Spring clips
- ② Support bars
- ③ Space between support bar and countertop
- ④ Cover strip

The illustration represents the attachment of spring clips ① and support bars ② for 3 appliances.

An additional support bar is required for each additional appliance. The position for attachment of an additional support bar depends on the width of the appliance **B** (288 mm / 380 mm / 576 mm).

Attaching the spring clips and support bars

Wood countertop

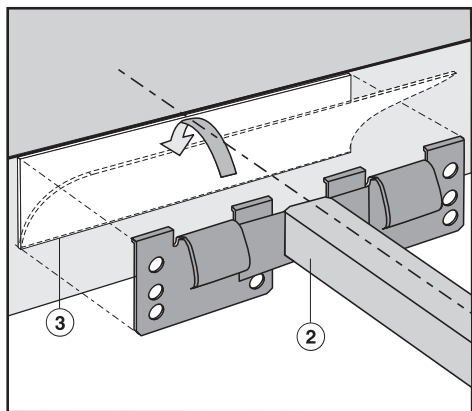
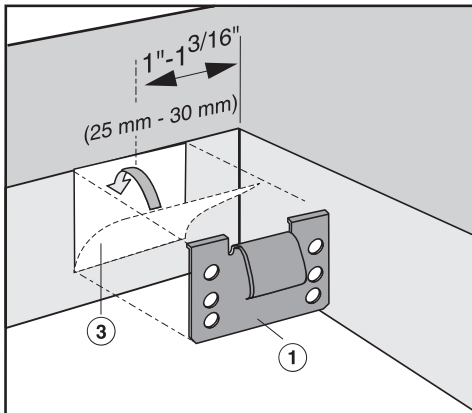


- Place the supplied spring clips ① and the support bars ② at the marked positions on the upper edge of the cut-out.
- Use the supplied 3.5 x 25 mm screws to attach the spring clips and support bars.

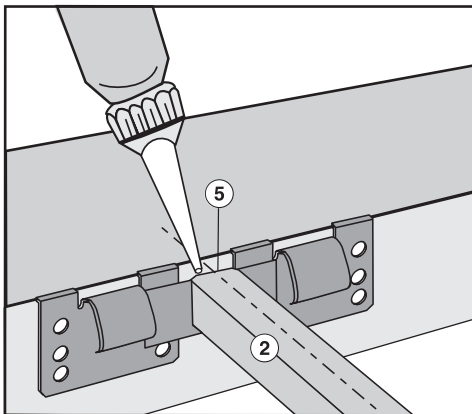
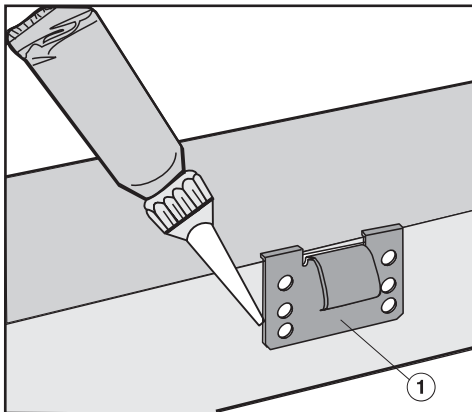
Attaching the spring clips and support bars

Granite countertop

Screws are not needed for stone countertops.



- Position and attach the spring clips ① and support bars ② with strong, double-sided tape ③.



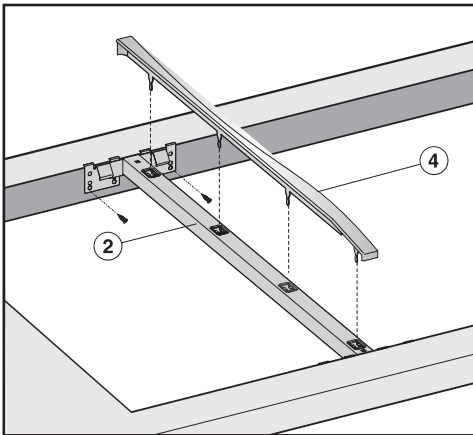
- Coat the side and bottom edges of the spring clips ① and support bars ② with silicone.
- Fill the space ⑤ between the support bars and the countertop with silicone.

Installing the appliance(s)

- Feed the appliance connection cable down through the worktop cut-out.
- Place the front edge of the appliance into the countertop cut-out.
- Using both hands, evenly press the appliance downward, until it noticeably clicks into place. Ensure that the appliance seal is flush with the worktop. Only in this way is an effective seal all around guaranteed.

Do not use sealant!

- Push the installed appliance to the side until the slots in the support bar are visible.



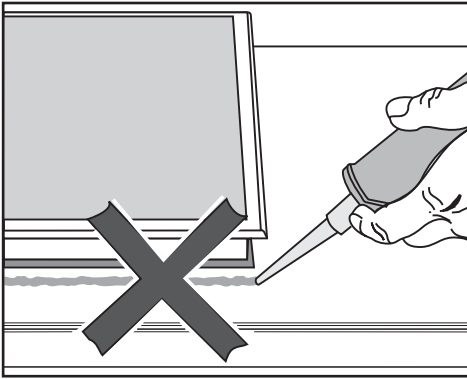
- Insert the cover strip ④ into the slots in the support bar ②.

- Place the front edge of the next appliance into the countertop cut-out.
- Connect the appliance(s) to the power supply (see "Electrical connection").
- Check the appliance(s) for correct operation.

The appliance can be lifted out using a special tool. You can also push the appliance up and out from underneath. Note that the rear will need to be pushed out first.

General installation tips

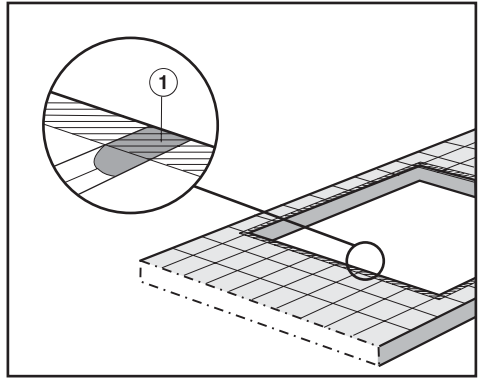
Seal between appliance and countertop




The sealing strip under the edge of the top part of the appliance provides an adequate seal with the countertop.

The appliance must not be sealed additionally with joint sealant (e.g. silicone).
The appliance and countertop could be damaged if it needs to be removed.

Tiled surfaces



The grouting ① and the shaded area below the appliance frame must be smooth and flat, so that the frame will lie evenly and the sealing strip under the edge of the upper part of the appliance can provide an adequate seal against the countertop.

 **CAUTION:** Before installation or servicing, disconnect the power supply by either removing the fuse, shutting off the main power supply or manually "tripping" the circuit breaker.

Installation work and repairs should only be performed by a qualified technician in accordance with all applicable codes and standards. Repairs and service by unqualified persons could be dangerous and the manufacturer will not be held responsible.

Before connecting the appliance to the power supply, make sure that the voltage and frequency listed on the data plate correspond with the household electrical supply. This data must correspond to prevent appliance damage. Consult an electrician if in doubt.

Only operate the combiset after it has been installed into the countertop.

Installer:
Please leave these instructions with the consumer.

Power supply

- Make sure your electrical supply matches the data plate.

The combiset is equipped with a flexible metal conduit encasing 3 wires ready for connection to a grounded power supply.

A dedicated line and junction box should be used to connect the combiset to a 15 A circuit.

Black wire: connect to L1 (hot)


Red wire: connect to L2 (hot)

Green wire: connect to GND (ground)

240 V, 60 Hz, 15 A fuse rating.

Make sure the power outlet is accessible after installation.

For further information, see the wiring diagram provided with the appliance.

 **WARNING:**
THIS APPLIANCE MUST BE GROUNDED!

Help protect our environment

Disposal of packing materials

The cardboard box and packing materials are biodegradable and recyclable. Please recycle.

Ensure that any plastic wrappings, bags, etc. are disposed of safely and kept out of the reach of children.

Danger of suffocation!

Disposal of an old appliance

Old appliances contain materials that can be recycled. Please contact your local recycling authority about the possibility of recycling these materials.

Before discarding an old appliance disconnect it from the electrical supply and cut off the power cord to prevent it from becoming a hazard.



Miele Limited

Headquarters and Showroom

161 Four Valley Drive

Vaughan, ON L4K 4V8

Phone: 800-643-5381

905-660-9936

Fax: 905-532-2290

www.miele.ca

professional@miele.ca (commercial enquiries)

MieleCare National Service

Phone: 800-565-6435

905-532-2272

Fax: 905-532-2292

customercare@miele.ca (general and technical enquiries)

Germany

Miele & Cie. KG

Carl-Miele-Straße 29

33332 Gütersloh