



## USER MANUAL

### Chest Freezer

Power supply: 115 V  
Frequency: 60Hz  
Capacity: 7.0 cu. ft.



**Warning:**  
Before using this product, please read this manual carefully and keep it for future reference. The design and specifications are subject to change without prior notice for product improvement. Consult with your dealer or manufacturer for details.

**Free 3 months extension of the original limited warranty period!**\* Simply text a picture of your proof of purchase to:

**1-844-224-1614**

\*The warranty extension is for the three months immediately following the completion of the product's original warranty period.

# Dear user

---

**THANK YOU** and **CONGRATULATIONS** on your purchase of this high-quality Midea product. Your Midea freezer is designed for reliable, trouble-free performance. Please take a moment to register your new freezer.

Register your new freezer at [www.midea.com](http://www.midea.com) under the **Support** tab.

For future reference, record your product model and serial numbers located on right-hand side of the freezer above the compressor compartment.

Model Number \_\_\_\_\_

Serial Number \_\_\_\_\_

<b>FREEZER SAFETY .....</b>	<b>3</b>
<b>OPERATION REQUIREMENTS .....</b>	<b>6</b>
Location Requirements .....	6
Electrical Requirements .....	7
<b>PARTS AND FEATURES .....</b>	<b>8</b>
<b>INSTALLATION.....</b>	<b>9</b>
Unpack.....	9
Move to Final Location.....	9
<b>BEFORE USE .....</b>	<b>10</b>
Waiting Period .....	10
Cleaning .....	10
<b>FREEZER USE .....</b>	<b>10</b>
General .....	10
Control.....	11
<b>FREEZER CARE .....</b>	<b>12</b>
Cleaning .....	12
Defrosting.....	13
Moving .....	14
Storage.....	14
<b>TROUBLESHOOTING .....</b>	<b>14</b>
<b>WARRANTY.....</b>	<b>17</b>

# FREEZER SAFETY

YOUR SAFETY AND THE SAFETY OF OTHERS ARE VERY IMPORTANT

To prevent injury to the user or other people and property damage, the instructions shown here must be followed. Incorrect operation due to ignoring of instructions may cause harm or damage, including death.

The level of risk is shown by the following indications.



This symbol indicates the possibility of death or serious injury.



This symbol indicates the possibility of injury or damage to property.



This symbol indicates the possibility of dangerous voltage constituting a risk of electrical shock is present that could result in death or serious injury.

## IMPORTANT SAFETY INSTRUCTIONS

### WARNING

#### GENERAL APPLIANCE SAFETY

- Read all safety warnings, instructions, illustrations and specifications provided with this appliance. Failure to follow all instructions listed below may result in electric shock, fire and/or serious injury.
- Save all warnings and instructions for future reference

#### ELECTRICAL SAFETY

- Plug into a grounded 3 prong outfit.
- Do not remove ground plug.
- Do not use an adapter.
- Unplug the power cord by holding the plug, never by pulling the cord.
- DO NOT turn the appliance on or off by plugging or unplugging the power cord.
- DO NOT use an extension cord.
- Unplug the freezer before cleaning or defrosting.

## Grounding requirement

- This freezer must be grounded. This freezer is equipped with a grounding plug. The plug must be inserted into an outlet that is properly installed and grounded.
- Improper use of the grounding plug can result in a risk of electric shock. Consult a qualified electrician or service person if the grounding instructions are not completely understood or if doubt exists as to whether the freezer is properly grounded.

## LOCATION SAFETY

- This freezer is intended to be used in household and similar environments.
- Install in accordance with the manufacturer's instructions.
- This freezer should not be recessed or built-in an enclosed cabinet. It is designed for freestanding installation only.  
WARNING - Keep ventilation openings, in the freezer, clear of obstruction.
- DO NOT install near any heat sources, such as radiators, heat registers, stoves, other cooking appliances or in direct sunlight.
- DO NOT store or use gasoline or any flammable liquids inside or in the vicinity of this freezer.

## USE AND CARE SAFETY

- Flammable refrigerant used. Follow handling instructions carefully. Risk of fire or explosion due to puncture of refrigerant tubing.
- Flammable refrigerant used. Do not use mechanical devices to defrost freezer. Do not puncture refrigerant tubing.
- Do not place heavy objects or other appliances such as microwave ovens, toasters etc. on the lid of the freezer.
- This appliance is not intended for use by persons (including children) with reduced physical, sensory or mental capabilities, or lack of experience and knowledge, unless they have been given supervision or instruction concerning use of the appliance by a person responsible for their safety.
- Children should be supervised to ensure that they DO NOT play with the appliance.
- DO NOT touch the interior of the freezer with wet hands. This could result in frostbite.
- Clean only with a damp cloth. Use nonflammable cleaner.

## SERVICE SAFETY

- Disconnect power before servicing.
- Flammable refrigerant used. To be repaired only by trained service personnel. Do NOT puncture refrigerant tubing.

- Refer all servicing to qualified service personnel. Do not repair or replace any part of this appliance unless specifically recommended in this manual. Servicing is required when the appliance has been damaged in any way, such as the power supply cord or plug is damaged, liquid has been spilled or objects have fallen into the appliance, the appliance has been exposed to rain or moisture, does not operate normally, or has been dropped.
- If the supply cord is damaged, it must be replaced by the manufacturer, its service agent, or similarly qualified person, in order to avoid a hazard.
- If component part is damaged, it must be replaced by the manufacturer, its service agent or similarly qualified persons in order to avoid a hazard.
- Replace all parts and panels before operating.

## SAVE THESE INSTRUCTIONS

THIS APPLIANCE IS FOR HOUSEHOLD USE ONLY

### State of California Proposition 65 Warnings:



**WARNING:** Cancer and Reproductive Harm  
-[www.P65Warnings.ca.gov](http://www.P65Warnings.ca.gov).

### PROPER DISPOSAL



#### WARNING

##### Suffocation Hazard

##### Before you throw away your old freezer:

- Remove the door or lid so that children cannot hide or get trapped inside your old appliance.
- Leave any shelves in place so that children may not easily climb inside.
- Failure to follow these instructions can result in death or brain damage.

**IMPORTANT:** Flammable gas and refrigerant used. It is the consumer's responsibility to comply with Federal and Local regulations when disposing of this product. Refrigerants must be evacuated by a licensed, EPA certified refrigerant technician in accordance with established procedures.

# OPERATION REQUIREMENTS

## LOCATION REQUIREMENTS

### WARNING

#### Explosion and Fire Hazard

- Keep flammable materials and vapors, such as gasoline, away from appliance.
- Failure to do so, can result in death, explosion or fire.

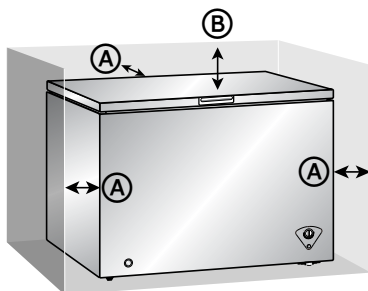
This freezer is designed to be freestanding only, and should not be recessed or built-in.

- Place your freezer on a floor that is level and strong enough to support the freezer when it is fully loaded.
- Place your freezer where there is access to the required electrical connection. See “Electrical Requirements.”
- Your freezer is designed for use in a location where the temperature will not exceed 110 °F (43 °C). Temperatures 32 °F and below will NOT affect operation.
- Locate the freezer away from direct sunlight and sources of heat, such as a stove, heater or radiator.

**NOTE:** Direct sunlight may affect the acrylic coating and heat sources may increase electrical consumption.

- Avoid locating the freezer in areas with high humidity.
- Adequate air circulation is required for efficient operation. Maintain the recommended clearance to ensure adequate air circulation.

## RECOMMENDED CLEARANCE



- (A) 8" (20 cm)  
Between sides  
and back of  
cabinet and walls
- (B) 27.5" (70 cm)  
Above the  
freezer

# ELECTRICAL REQUIREMENTS

## WARNING

### Electrical Shock Hazard

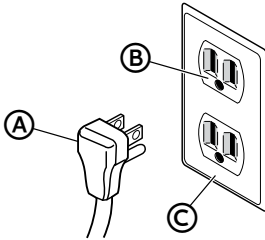
- Plug into a grounded 3 prong outlet.
- Do not remove the ground prong from the power cord plug.
- Do not use an adapter.
- Do not use an extension cord.
- Failure to do so can result in death, fire or electrical shock.

**IMPORTANT:** A 115 Volt, 60 Hz., AC only, 15-amp fused, grounded electrical supply is required.

- Use an electrical outlet that accepts the grounding prong.

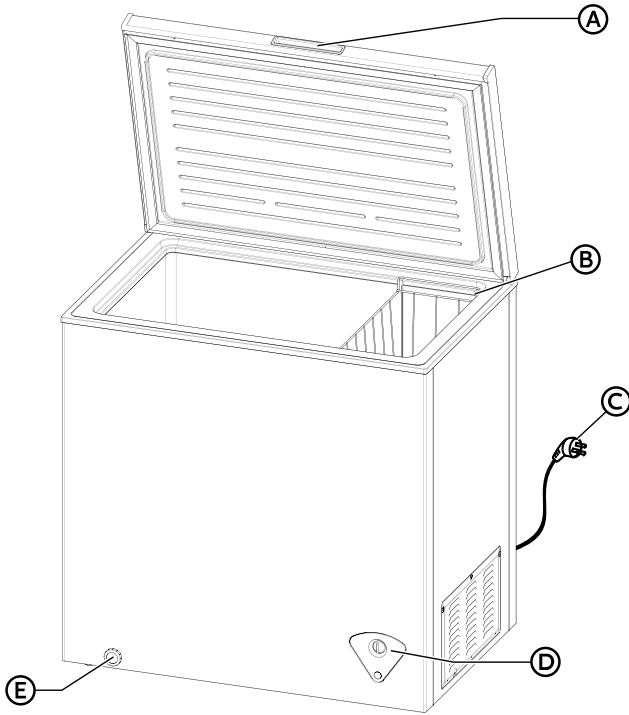
**NOTE:** The power cord is equipped with a 3-prong (grounding) plug which mates with a standard 3-prong (grounding) electrical outlet.

- We recommend that the freezer be plugged into an electrical circuit serving ONLY this appliance.
- Use an electrical outlet that cannot be turned off with a switch or pull-chain.
- DO NOT use an extension cord.



- Ⓐ 3-prong plug
- Ⓑ 3-prong receptacle
- Ⓒ Receptacle box cover

# PARTS AND FEATURES



- (A) Lid handle
- (B) Storage basket
- (C) Power cord
- (D) Temperature control (with power indicator)
- (E) Drainage hole

## SPECIFICATIONS

Dimension (WxDxH)	32.1" x 21.7" x 33.5" (82 x 55 x 85 cm)
Weight	66 lbs.(30kg)
Power requirements	115 V ~ 60 Hz
Power cord length	67" (170 cm)



# INSTALLATION

## UNPACK

### WARNING

#### Fire or Explosion Hazard

- Do not puncture refrigerant tubing.
- Follow handling instructions carefully.
- Flammable refrigerant used.
- Failure to do so can result in death, explosion or fire.

**IMPORTANT:** Remove ALL exterior and interior packing materials including the foam packing between the exterior condenser and the freezer cabinet.

## MOVE TO FINAL LOCATION

### WARNING

#### Fire or Explosion Hazard

- Do not puncture refrigerant tubing.
- Follow handling instructions carefully.
- Flammable refrigerant used.
- Failure to do so can result in death, explosion or fire.

**IMPORTANT:** If the freezer has been in a horizontal position for any period of time, wait 24 hours to allow the refrigerant to settle before plugging in the freezer.

Two casters are included to allow you to move the freezer easily.

- When moving the freezer, tape the lid closed.  
**NOTE:** Tilting the freezer more than 45° could damage the compressor and the sealed system.
- When moving the freezer, DO NOT turn it upside down or on its side.

# BEFORE USE

## WAITING PERIOD

- Before connecting the freezer to power, wait 30 minutes for the refrigerant to settle.  
**NOTE:** This reduces the possibility of a malfunction in the cooling system from improper handling during transportation.

## CLEANING

1. Wash the freezer interior using a soft cloth dampened with a baking soda solution (2 tablespoons baking soda mixed with 1 quart of warm water).
2. Using a soft cloth, thoroughly dry all surfaces.

# FREEZER USE

## GENERAL

- The storage life of frozen foods varies and the recommended storage time should not be exceeded.
- Pre-packed, commercially frozen food should be stored in accordance with the frozen food manufacturer's instructions for a three-star frozen food storage compartment or home freezer.
- DO NOT put bottled food or drinks in the freezer.

### WARNING

#### Electrical Shock Hazard

- Plug into a grounded 3 prong outlet.
- Do not remove the ground prong from the power cord plug.
- Do not use an adapter.
- Do not use an extension cord.
- Failure to do so can result in death, fire or electrical shock.

1. Plug in the freezer. The Power Indicator on the control should illuminate.
2. Set the Temperature Control dial to MAX. Wait 30 minutes, and then open the freezer lid to determine if the freezer is cooling.
3. Allow the freezer to continue to cool for 2 to 3 hours before adding fresh or frozen food.

**NOTE:** If the room temperature is warm, allow the freezer to cool for at least 4 hours before adding food.

4. Place food into the freezer as quickly as possible to prevent cold air from escaping the freezer.

## POWER FAILURE

In the event of a power failure, food that is completely frozen will remain good for several hours.

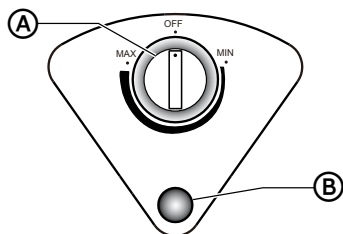
- Do not open the lid.
- Do not add fresh food to the freezer.

## ENERGY SAVING TIPS

- Allow hot foods to cool to room temperature before placing them in the freezer. Foods that freeze too slowly may lose quality or spoil.
- Wrap foods properly and wipe containers dry before placing them in the freezer. This cuts down on frost build-up inside the freezer.
- Do not line freezer storage shelves or baskets with aluminum foil, wax paper or paper toweling. Liners interfere with cold air circulation, making the freezer less efficient.
- Organize and label food to reduce door openings and extended searches. Remove as many items as needed at one time, and then close the door as soon as possible.
- Do NOT add a large amount of unfrozen food to the freezer at one time. This will lower the cooling efficiency of the freezer.
- Overloading the freezer forces the compressor to run longer.

## CONTROL

The Power Indicator on the Control will illuminate to let you know that the freezer is connected to a power supply.



- (A) Temperature control dial
- (B) Power indicator

## SET TEMPERATURE

The temperature control, located near the lower, right-hand corner of the freezer, has three positions MAX, OFF and MIN.

- MAX temperature:  $-13^{\circ}\text{F}$  ( $-24^{\circ}\text{C}$ )
- MIN temperature:  $-0.4^{\circ}\text{F}$  ( $-12^{\circ}\text{C}$ )
- OFF: Turns off cooling.

**IMPORTANT:** Setting the control to the Off position does NOT disconnect power to the freezer.

# FREEZER CARE

Your freezer is designed for year-round use and requires minimal cleaning and maintenance. To keep your freezer running efficiently and odor free, we recommend that you clean the freezer regularly.

## CLEANING

### WARNING

#### Electrical Shock Hazard

- Unplug your appliance or disconnect power before cleaning.
- Failure to do so can result in death, electric shock or personal injury.

### WARNING

#### Explosion Hazard

- Use nonflammable cleaner.
- Failure to do so can result in death, explosion or fire.

**IMPORTANT:** To prevent damage to the finish, DO NOT use gasoline, benzine, thinner or other solvents, and DO NOT use abrasive cleaners.

1. Unplug the freezer from the electrical outlet.
2. Remove all food.
3. Wash the baskets with a mild detergent solution.
4. Wash the freezer interior using a soft cloth dampened with a baking soda solution (2 tablespoons baking soda mixed with 1 quart of warm water).
5. Clean the gasket around the lid. Gently wipe the gasket using a soft cloth dampened with a mild detergent solution.

**NOTE:** Gaskets must be kept clean and pliable to assure a proper seal.

6. Using a soft cloth, thoroughly dry all surfaces.
7. Plug in or reconnect power.

# DEFROSTING

## WARNING

### Fire or Explosion Hazard

- Do not puncture refrigerant tubing.
- Follow handling instructions carefully.
- Flammable refrigerant used.
- Failure to do so can result in death, explosion or fire.

Your freezer must be defrosted manually. For most efficient operation and to minimize energy consumption, defrost the freezer whenever the frost becomes  $\frac{1}{4}$ " (6 mm) thick.

**IMPORTANT:** Do NOT use boiling water to defrost the freezer.

1. Turn the temperature control to the OFF position, and unplug the freezer.
2. Open the freezer lid and remove all food items. While defrosting, store the food where it will remain frozen.

**NOTE:** Defrosting usually takes a few hours. Keep the lid open to speed the defrosting process.

3. Place a collection tray (not provided) beneath the drainage hole to collect the water as the ice melts and drains.
4. Remove the plug from the drainage hole. Monitor the collection tray and empty it regularly to avoid overflow.
5. When defrosting is complete, wipe the freezer interior dry with a soft cloth and replace the plug into the drainage hole.

## WARNING

### Electrical Shock Hazard

- Plug into a grounded 3 prong outlet.
- Do not remove the ground prong from the power cord plug.
- Do not use an adapter.
- Do not use an extension cord.
- Failure to do so can result in death, fire or electrical shock.

6. Plug into a grounded 3 prong outlet.
7. Reset the temperature control to MAX, and wait 2 to 3 hours for the freezer to cool.
8. Return the frozen food to the freezer and set the temperature control to the desired setting.

## MOVING

**IMPORTANT:** When moving your freezer, DO NOT tilt it beyond 45° from upright.

1. Unplug your freezer from the wall outlet.
2. Remove all food.
3. Securely tape down all loose items inside your freezer.
4. Tape the door shut.

## STORAGE

**IMPORTANT:** Do not store freezer in a location that is accessible to children.

1. Unplug your freezer from the electrical outlet.
2. Remove all food.
3. Clean the freezer.
4. Tape wood or rubber blocks under the edge of the lid to allow air to circulate inside the freezer. This helps avoid possible formation of condensation, mold or odor.

## TROUBLESHOOTING

**IMPORTANT:** DO NOT try to repair your freezer yourself. Doing so invalidates the warranty.

PROBLEM	POSSIBLE CAUSE	SOLUTION
<b>The freezer does not operate</b>	The freezer is unplugged.	Make sure that the freezer power cord is fully plugged into the electrical outlet.
	The fuse on the circuit is blown or the circuit breaker is tripped.	Check the house fuse / circuit breaker box and replace the fuse or reset the circuit breaker.
	Power failure.	If a power failure occurs, the freezer turns off. Wait until the power is restored.
	The Temperature control is set to OFF.	Turn the temperature control dial to MAX or MIN.
<b>The freezer lid does not close completely</b>	Food packages are interfering with the lid.	Move or remove some food items.
	The lid seals (gaskets) are dirty.	Clean the lid gaskets.

PROBLEM	POSSIBLE CAUSE	SOLUTION
<b>Food in the freezer is not cold</b>	The lid has been opened too often or was not closed properly.	Make sure the lid is closed properly.
	A large amount of food was recently added.	Allow time for the recently added food to cool, and then check again.
	The lid is not closed completely.	Check the seal (gasket) and food distribution to make sure the lid will close completely.
	The freezer has been disconnected for a period of time. The temperature control is set too warm.	Allow 4 hours for the freezer to cool completely before adding food. Set the temperature control to a colder setting.
<b>The freezer makes unusual noises or vibrations</b>	The freezer cabinet is touching a wall.	Move the freezer away from the wall.
	Metal parts undergo expansion and contraction.	This is normal.
	Refrigerant circulating throughout the system may produce an airflow sound.	This is normal.
	Compressor may generate a buzzing sound, especially when starting up or shutting down.	This is normal.
	The solenoid valve or electric switch may clatter.	This is normal.
<b>Moisture is building up in the interior of the freezer</b>	The lid has been opened too often or was not closed properly.	Make sure that the lid is closed properly.
	The freezer is located in a humid area.	Move the freezer to a drier location.
	The weather is hot and humid.	This is normal.
<b>The freezer lid does not close completely</b>	Food packages are interfering with the lid closure.	Move or remove some food items.
	The lid gaskets are dirty.	Clean the lid gaskets.

PROBLEM	POSSIBLE CAUSE	SOLUTION
<b>The compressor turns on and off frequently.</b>	The room temperature is hotter than normal.	This is normal.
	There is a thick layer of frost in the freezer.	Defrost the freezer. See “Defrosting.”
	A large amount of food was recently added.	Allow time for the recently added food to cool, and then check again.
	The lid is not closed completely or was opened too often.	Check the seal (gasket) and food distribution to make sure the lid will close completely.
	The freezer has been disconnected for a period of time.	Allow 4 hours for the freezer to cool completely before adding food.
<b>Freezer has an odor</b>	The thermostat was not set correctly.	Set the thermostat to the correct setting.
	Freezer needs cleaning.	Clean the freezer. See, “Cleaning.”
	Improperly wrapped food is giving off an odor.	Wrap food tightly or seal before storing it in the freezer.



# MIDEA FREEZER LIMITED WARRANTY

## ATTACH YOUR RECEIPT HERE. PROOF OF PURCHASE IS REQUIRED TO OBTAIN WARRANTY SERVICE.

Please have the following information available when you call the Customer Service Centre:

- Name, address and telephone number
- Model number and serial number
- A clear, detailed description of the problem
- Proof of purchase including dealer or retailer name and address

### IF YOU NEED SERVICE:

1. Before contacting us to arrange service, please determine whether your product requires repair. Some questions can be addressed without service. Please take a few minutes to review the Troubleshooting section of the User Manual, or visit <http://us.Midea.com/support>
2. All warranty service is provided exclusively by our authorized Midea Service Providers, in the U.S. and Canada.

#### Midea Customer Service

**In the U.S.A. or Canada, call 1-866-646-4332.**

If outside the 50 States of the United States or Canada, contact your authorized Midea dealer to determine whether another warranty applies.

## 1 YEAR PARTS AND LABOUR

### WHAT IS COVERED

#### FIRST YEAR LIMITED WARRANTY (PARTS AND LABOUR)

Midea will repair or replace, without charge, any defects due to faulty materials or workmanship for one full year from the date of purchase. For further detail of warranty coverage and warranty repair information, visit [www.midea.com](http://www.midea.com) or call **1-866-646-4332**.

#### TEN YEAR WARRANTY COMPRESSOR ONLY - LABOUR NOT INCLUDED

In the second through tenth years from the date of original purchase, when this major appliance is installed, operated and maintained according to instructions attached to or furnished with the product, Midea will pay for factory parts to replace the compressor if it fails and prevents an essential function of this major appliance that existed when this major appliance was purchased. This is a 10-year warranty on the parts only and does not include repair labour.

#### Consumer will be responsible for:

- Diagnostics, removal, transportation and reinstallation cost required because of service.
- Costs of service calls that are a result of items listed under **NORMAL RESPONSIBILITIES OF THE CONSUMER\*\***

#### NORMAL RESPONSIBILITIES OF THE CONSUMER\*\*

**This warranty applies only to products in ordinary household use, and the consumer is responsible for the items listed below:**

1. Proper use of the appliance in accordance with the instructions provided with the product.
2. Routine maintenance and cleaning necessary to keep the good working condition.
3. Proper installation by an authorized service professional in accordance with instructions provided with the appliance and in accordance with all local plumbing, electrical and / or gas codes.
4. Proper connection to a grounded power supply of sufficient voltage, replacement of blown fuses, repair of loosened connections or defects in house wiring.
5. Expenses for making the appliance accessible for servicing.
6. Damages to finish after installation.

YOUR SOLE AND EXCLUSIVE REMEDY UNDER THIS LIMITED WARRANTY SHALL BE PRODUCT REPAIR OR REPLACEMENT AS PROVIDED HEREIN. Service must be provided by a Midea designated service company. This limited warranty is valid only in the 50 States of the United States or Canada and applies only when the major appliance is used in the country in which it was purchased. This limited warranty is effective from the date of original consumer purchase. Proof of original purchase date is required to obtain service under this limited warranty.

## WHAT IS NOT COVERED

1. Failure caused by damage to the unit while in your possession (other than damage caused by defect or malfunction), by its improper installation, or by unreasonable use of the product, including without limitation, failure to provide reasonable and necessary maintenance or to follow the written Installation and Instruction Manual.
2. Products purchased “as-is” or refurbished are not covered by this warranty.
3. Food loss caused by refrigerator or freezer failure.
4. Service calls to repair or replace consumables such as water filters, light bulbs, airfilters etc., or handles, knobs and other cosmetic parts.
5. Product that has been transferred from its original owner.
5. Interior or exterior rust on the unit.
7. Damages caused by services performed by persons other than authorized Midea servicers; use of parts other than Midea replacement parts; obtained from persons other than such Midea customer service; or external causes such as abuse, misuse, inadequate power supply or acts of God.
8. Service calls resulting from improper installation of your product.
9. Service calls to instruct you on the use of your product.
10. Surcharges including, but not limited to, any after hour, weekend, or holiday service calls, tolls, ferry trip charges, or mileage expense for service calls to remote areas.
11. If the unit is put to commercial, business, rental, or other use or application other than for consumer use, we make no warranties, express or implied, including but not limited to, any implied warranty of merchantability or fitness for particular use or purpose.
12. Product that has been removed outside the USA or Canada.
13. Products without original serial numbers or products that have serial numbers which have been altered or cannot be readily determined.

**NOTE:** Some states do not allow the exclusion or limitation of incidental or consequential damages. So this limitation or exclusion may not apply to you.

**The cost of repair or replacement under these excluded circumstances shall be borne by the customer.**

---

### DISCLAIMER OF IMPLIED WARRANTIES

IMPLIED WARRANTIES, INCLUDING ANY IMPLIED WARRANTY OF MERCHANTABILITY OR IMPLIED WARRANTY OF FITNESS FOR A PARTICULAR PURPOSE, ARE LIMITED TO ONE YEAR OR THE SHORTEST PERIOD ALLOWED BY LAW. Some states and provinces do not allow limitations on the duration of implied warranties of merchantability or fitness, so this limitation may not apply to you. This warranty gives you specific legal rights, and you also may have other rights that vary from state to state or province to province.

---

### DISCLAIMER OF REPRESENTATIONS OUTSIDE OF WARRANTY

Midea makes no representations about the quality, durability, or need for service or repair of this major appliance other than the representations contained in this warranty. If you want a longer or more comprehensive warranty than the limited warranty that comes with this major appliance, you should ask Midea or your retailer about buying an extended warranty.

---

### LIMITATION OF REMEDIES; EXCLUSION OF INCIDENTAL AND CONSEQUENTIAL DAMAGES

YOUR SOLE AND EXCLUSIVE REMEDY UNDER THIS LIMITED WARRANTY SHALL BE PRODUCT REPAIR AS PROVIDED HEREIN. MIDEA SHALL NOT BE LIABLE FOR INCIDENTAL OR CONSEQUENTIAL DAMAGES. Some states and provinces do not allow the exclusion or limitation of incidental or consequential damages, so these limitations and exclusions may not apply to you. This warranty gives you specific legal rights, and you also may have other rights that vary from state to state or province to province.

---



## Congélateur horizontal

Alimentation en électricité : 115 V  
Fréquence : 60Hz  
Capacité : 7.0 pi<sup>3</sup>

**Avertissement :**  
Avant d'utiliser ce produit,  
veuillez lire le présent guide avec  
soin et le conserver aux fins de  
consultation ultérieure. Le  
concept et les spécifications  
peuvent changer sans préavis à  
titre d'amélioration de produit.  
Consultez votre concessionnaire  
ou fabricant pour obtenir des  
précisions.

version A - 4 - 2020

## GUIDE DE L'UTILISATEUR



**Extension gratuite  
de 3 mois** de la période  
de garantie limitée initiale!\*  
Envoyez simplement une  
photo de votre preuve d'achat  
par message texte au :

**1-844-224-1614**

\*L'extension de garantie porte sur  
les trois mois suivant immédiatement  
la fin de la période de garantie  
initiale du produit.

**MODÈLE NUMÉRO MRC07M3AWWC**  
[www.midea.com](http://www.midea.com)

# Dear user

---

**MERCI et FÉLICITATIONS** de votre achat de ce produit Midea de première qualité. Votre congélateur Midea est conçue pour des performances fiables et sans problèmes. Veuillez prendre quelques instants pour enregistrer votre nouveau congélateur.

Enregistrez votre nouveau congélateur sur **www.midea.com** à l'onglet **Support [Soutien]**.

Pour référence future, inscrivez le modèle de produit et le numéro de série situés sur le côté droit du congélateur, au-dessus du compartiment du compresseur.

Numéro de modèle \_\_\_\_\_

Numéro de série \_\_\_\_\_

<b>SÉCURITÉ DE CONGÉLATEUR .....</b>	<b>3</b>
<b>EXIGENCES EN MATIÈRE DE FONCTIONNEMENT .....</b>	<b>7</b>
Exigences en Matière D'emplacement .....	7
Exigences électriques .....	8
<b>PIÈCES ET CARACTÉRISTIQUES .....</b>	<b>9</b>
<b>INSTALLATION.....</b>	<b>10</b>
Déballage.....	10
Déplacez à sa destination finale .....	10
<b>AVANT L'UTILISATION.....</b>	<b>11</b>
Période d'attente .....	11
Nettoyage.....	11
<b>UTILISATION DU CONGÉLATEUR.....</b>	<b>11</b>
Généralités .....	11
Commandes.....	12
<b>ENTRETIEN DU CONGÉLATEUR .....</b>	<b>13</b>
Nettoyage.....	13
Dégivrage .....	14
Déplacement .....	15
Emplacement .....	15
<b>DÉPANNAGE .....</b>	<b>16</b>
<b>GARANTIE .....</b>	<b>19</b>

# SÉCURITÉ DE CONGÉLATEUR

VOTRE SÉCURITÉ PERSONNELLE ET CELLE DES AUTRES PERSONNES SONT D'UNE IMPORTANCE CAPITALE.

Pour éviter toutes blessures de l'utilisateur ou d'autres personnes et tous dommages matériels, il est impératif de suivre les instructions dans le présent guide. Une utilisation incorrecte de l'appareil en raison du non-respect des instructions peut causer des blessures ou des dommages, et même la mort.

Les indications suivantes illustrent le niveau de risque.



AVERTISSEMENT

Ce symbole signale la possibilité de mort ou de blessure grave.



ATTENTION

Ce symbole signale la possibilité de blessure ou de dommages matériels.



AVERTISSEMENT

Ce symbole signale la possibilité d'une tension dangereuse constituant un risque de choc électrique susceptible d'entraîner la mort ou une blessure grave.

## CONSIGNES DE SÉCURITÉ IMPORTANTES



AVERTISSEMENT

### SÉCURITÉ EN MATIÈRE D'ÉLECTROMÉNAGERS

- Lisez tous les avertissements en matière de sécurité, les directives et les spécifications fournies avec cet appareil. Le défaut de lire toutes les directives pourrait entraîner une décharge électrique, un incendie et/ou une blessure grave.
- Conservez tous les avertissements et les directives pour référence future.

## SÉCURITÉ ÉLECTRIQUE

- Branchez dans une prise à 3 fiches mise à la terre.
- Ne retirez pas la fiche de mise à la terre.
- N'utilisez pas d'adaptateur.
- Débranchez le cordon d'alimentation en tenant la prise, jamais en tirant sur le cordon.
- NE JAMAIS activer ou désactiver l'appareil en branchant ou en débranchant le cordon d'alimentation.
- NE JAMAIS utiliser de rallonge.
- Débranchez le congélateur avant de le nettoyer ou de le dégivrer.

### Exigences de mise à la masse

- Ce congélateur doit être mis à la masse. Ce congélateur est doté d'une fiche de mise à la masse. La fiche doit être insérée dans une prise qui a été installée et mise à la masse de façon appropriée.
- L'utilisation inappropriée de la fiche de mise à la masse peut provoquer une décharge électrique. Consultez un électricien certifié ou un préposé à l'entretien si vous ne comprenez pas les directives de mise à la masse ou si vous croyez que le congélateur ne fait pas l'objet d'une mise à la masse appropriée.

## SÉCURITÉ DE L'EMPLACEMENT

- Ce congélateur a été conçu pour une utilisation résidentielle ou l'équivalent.
- Installez-le en respectant les consignes du fabricant.
- Le congélateur ne doit pas être encastré dans un endroit restreignant. Il est conçu pour se retrouver à aire ouverte seulement. **AVERTISSEMENT** — Gardez les ouvertures de ventilation du congélateur à l'écart des obstructions.
- NE JAMAIS installer près d'une source de chaleur comme une plinthe, un radiateur, un poêle ou autre appareil de cuisson ou en plein soleil.
- NE JAMAIS remiser ou utiliser d'essence ou autre liquides inflammables près de ce congélateur.

## SÉCURITÉ – UTILISATION ET SOINS

- Fluide frigorigène inflammable utilisé. Suivez attentivement les directives de manutention. Risque d'incendie ou d'explosion si le tube de fluide frigorigène est perforé.
- Fluide frigorigène inflammable utilisé. N'utilisez pas de dispositif mécanique pour dégivrer le congélateur. Ne perforez pas le tube du fluide frigorigène.
- Ne placez aucun objet lourd ou autre appareil comme un four à micro-ondes, grille-pain, etc. sur le couvercle du congélateur

- Cet appareil n'est pas destiné à des personnes (y compris des enfants) à capacités réduites, tant physiques que sensorielles ou mentales, ou qui n'ont aucune expérience ou connaissance, à moins d'être sous la supervision ou d'avoir obtenu des directives d'une personne responsable et qualifiée.
- Les enfants doivent faire l'objet d'une supervision afin de s'assurer qu'ils ne tentent PAS de jouer avec l'appareil.
- NE JAMAIS toucher à l'intérieur du congélateur alors que vos mains sont mouillées. Ceci pourrait provoquer une engelure.
- Nettoyez uniquement avec un linge humide. Utilisez un nettoyeur non inflammable.

## SÉCURITÉ – ENTRETIEN

- Débranchez l'appareil avant d'effectuer l'entretien.
- Fluide frigorigène inflammable utilisé. Doit être réparé uniquement par une personne formée. Ne percez PAS le tube du fluide frigorigène.
- Faites appel à une personne d'entretien qualifiée. Ne réparez pas ou ne remplacez pas de pièces sur cet appareil à moins qu'il ne le soit recommandé dans le manuel. L'appareil doit faire l'objet d'un entretien s'il a été endommagé au niveau du cordon d'alimentation ou de la fiche, si le fluide s'est échappé ou si des objets sont tombés dans l'appareil, ou encore si ce dernier a été exposé à la pluie ou à l'humidité, ne fonctionne pas normalement ou a fait l'objet d'une chute.
- Si le cordon d'alimentation est endommagé, il doit être remplacé par le fabricant, l'agent responsable de son entretien, ou toute autre personne qualifiée, afin d'éviter tout danger.
- Si un composant est endommagé, il doit être remplacé par le fabricant, l'agent responsable de son entretien, ou toute autre personne qualifiée, afin d'éviter tout danger.
- Remplacez toutes les pièces et les panneaux avant de faire fonctionner.

# CONSERVER CES CONSIGNES

**CET APPAREIL EST UNIQUEMENT DESTINÉ À UN USAGE DOMESTIQUE**

## Avertissement - Proposition 65 de l'État de Californie:



**AVERTISSEMENT :** Cancer et effets nocifs sur la reproduction  
-[www.P65Warnings.ca.gov](http://www.P65Warnings.ca.gov).

## MISE AU REBUT APPROPRIÉE



### AVERTISSEMENT

#### Dangers de suffocation

##### Avant de mettre au rebut votre ancien congélateur :

- Déposez la porte ou le couvercle de sorte que les enfants ne puissent se cacher ou s'emprisonner dans l'ancien appareil.
- Laissez les étagères en place, faisant en sorte que les enfants ne puissent y pénétrer.
- Le défaut de respecter ces directives peut entraîner la mort ou des dommages au cerveau.

**IMPORTANT :** Gaz et fluide frigorigène inflammables utilisés. Il en revient au consommateur de respecter les règlements fédéraux et municipaux lors de la mise au rebut de ce produit. Les fluides frigorigènes doivent être évacués par un technicien certifié et agréé de l'EPA en matière de fluide frigorigène, selon les procédures établies.



# EXIGENCES EN MATIÈRE DE FONCTIONNEMENT

## EXIGENCES EN MATIÈRE D'EMPLACEMENT

### ⚠ AVERTISSEMENT

#### Danger d'explosion et d'incendie

- Gardez les matériaux et vapeurs inflammables, comme de l'essence, à l'écart de cet appareil.
- Le non-respect de cette directive peut entraîner la mort, une explosion ou un incendie.

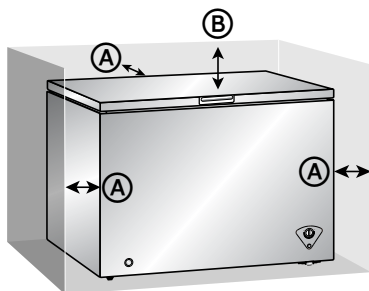
Le congélateur est conçu pour se retrouver à aire ouverte et ne doit pas être encastré.

- Placez votre appareil sur un plancher de niveau, capable de supporter le congélateur lorsqu'il est rempli.
- Placez votre congélateur près d'une fiche électrique décrite dans les directives. Consultez "Exigences électriques."
- Votre congélateur est conçu pour une utilisation dans un emplacement où la température ne dépassera pas 110 °F (43 °C). Les températures de 32 °F ou moins n'affecteront PAS le fonctionnement.
- Placez le congélateur à l'écart du soleil et autre source de chaleur, comme un poêle, un radiateur ou une plinthe.

**REMARQUE :** Le plein soleil peut endommager le revêtement en acrylique et les sources de chaleur peuvent augmenter la consommation électrique.

- Évitez de placer le congélateur dans un endroit à humidité élevée.
- On doit y retrouver une circulation d'air adéquate pour assurer un fonctionnement optimal. Respectez le dégagement recommandé pour assurer une circulation d'air appropriée.

### DÉGAGEMENT RECOMMANDÉ



Ⓐ Jeu de 8 po (20 cm) entre les côtés et l'arrière de l'appareil et les murs

Ⓑ Jeu de 27,5 po (70 cm) au-dessus du congélateur

# EXIGENCES ÉLECTRIQUES

## AVERTISSEMENT

### Risque de choc électrique

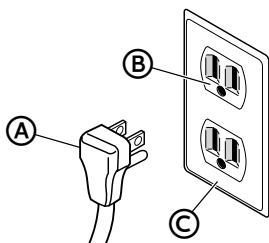
- Branchez dans une prise à 3 fiches mise à la masse.
- Ne retirez pas la fiche de mise à la masse sur le cordon d'alimentation.
- N'utilisez pas d'adaptateur.
- N'utilisez pas de rallonge.
- Le non-respect de cette directive peut entraîner la mort, un incendie ou une décharge électrique.

**IMPORTANT :** Utilisez un fusible 115 V, 60 Hz, c.a., 15 A comme source électrique mise à la masse.

- Utilisez une prise électrique compatible avec une fiche de mise à la masse.

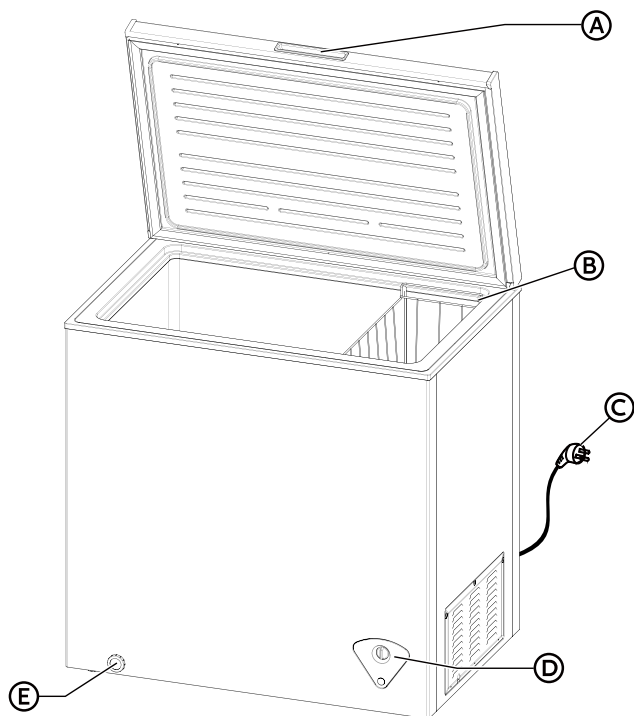
**REMARQUE :** Le cordon d'alimentation est doté d'une prise à 3 fiches (mise à la masse) qui est compatible à toute prise électrique standard à 3 fiches.

- Nous recommandons que le congélateur soit branché dans un circuit électrique réservé **UNIQUEMENT** pour cet appareil.
- Utilisez une prise électrique qui ne peut être fermée par un interrupteur ou une chaînette à tirer.
- **NE JAMAIS** utiliser de rallonge.



- Ⓐ Prise à 3 fiches
- Ⓑ Prise de charge à 3 fiches
- Ⓒ Couvercle de boîtier de prise de charge

# PIÈCES ET CARACTÉRISTIQUES



- (A) Poignée de couvercle**
- (B) Panier de rangement**
- (C) Cordon d'alimentation**
- (D) Régulateur de température (avec indicateur d'alimentation)**
- (E) Trou de drainage**

## SPÉCIFICATIONS

Dimensions (LxPxH) :	32.1" x 21.7" x 33.5" (82 x 55 x 85 cm)
Poids	66 lbs.(30kg)
Exigences d'alimentation	115 V ~ 60 Hz
Longueur de cordon d'alimentation	67" (170 cm)

# INSTALLATION

## DÉBALLAGE

### AVERTISSEMENT

#### **Incendie ou Risque d'explosion**

- Ne perforez pas le tube du fluide frigorigène.
- Suivez attentivement les directives de manutention.
- Fluide frigorigène inflammable utilisé.
- Le non-respect de cette directive peut entraîner la mort, une explosion ou un incendie.

**IMPORTANT :** Retirez TOUT le matériel d'emballage extérieur et intérieur, y compris l'emballage en mousse situé entre le condenseur extérieur et le congélateur.

## DÉPLACEZ À SA DESTINATION FINALE

### AVERTISSEMENT

#### **Incendie ou Risque d'explosion**

- Ne perforez pas le tube du fluide frigorigène.
- Suivez attentivement les directives de manutention.
- Fluide frigorigène inflammable utilisé.
- Le non-respect de cette directive peut entraîner la mort, une explosion ou un incendie.

**IMPORTANT :** Si le congélateur se trouvait à l'horizontale pendant une certaine période, attendez 24 heures avant de brancher le congélateur pour laisser le fluide frigorigène reprendre sa place.

On retrouve 2 roulettes permettant de déplacer le congélateur aisément.

- Lors du déplacement du congélateur, fermez le couvercle à l'aide de ruban adhésif.

**REMARQUE :** Ce faisant, vous pourriez endommager le compresseur et le système scellé.

- En déplaçant le congélateur, NE le tournez PAS à l'envers ou sur les côtés.

# AVANT L'UTILISATION

## PÉRIODE D'ATTENTE

- Avant de brancher le congélateur dans la prise électrique, attendez 30 minutes que le réfrigérant à régler.

**REMARQUE :** Ceci diminue les risques de défectuosité dans le système de refroidissement dans le cas d'une manutention inappropriée lors du transport.

## NETTOYAGE

1. Lavez l'intérieur du congélateur à l'aide d'un linge doux et humide et d'une solution de bicarbonate de soude (2 c. à table de bicarbonate de soude dans 1 pinte d'eau tiède).
2. Utilisez un linge doux pour essorer toutes les surfaces.

# UTILISATION DU CONGÉLATEUR

## GÉNÉRALITÉS

- La durée de vie des aliments surgelés peut varier et la durée recommandée ne doit pas être dépassée.
- Les aliments surgelés commerciaux et préemballés doivent respecter les directives du fabricant pour un compartiment 3 étoiles ou un congélateur résidentiel.
- NE JAMAIS mettre de bouteilles ou de boissons dans un congélateur.

### AVERTISSEMENT

#### Risque de choc électrique

- Branchez dans une prise à 3 fiches mise à la masse.
- Ne retirez pas la fiche de mise à la masse sur le cordon d'alimentation.
- N'utilisez pas d'adaptateur.
- N'utilisez pas de rallonge.
- Le non-respect de cette directive peut entraîner la mort, un incendie ou une décharge électrique.

1. Branchez le congélateur. L'indicateur d'alimentation devrait s'allumer sur le régulateur.
2. Réglez le cadran du régulateur de température à MAX. Attendez 30 minutes, puis ouvrez le couvercle du congélateur pour voir si ce dernier se refroidit.

3. Laissez le congélateur se refroidir pendant 2 à 3 heures avant d'insérer de la nourriture fraîche ou surgelée.

**REMARQUE :** Si la température de la pièce est élevée, laissez le congélateur se refroidir pendant au moins 4 heures avant d'y placer de la nourriture.

4. Placez les aliments le plus rapidement possible dans le congélateur afin d'empêcher l'air froid de s'échapper du congélateur.

## PANNE ÉLECTRIQUE

Si une panne électrique survient, les aliments qui sont entièrement surgelés demeureront sans danger pendant plusieurs heures.

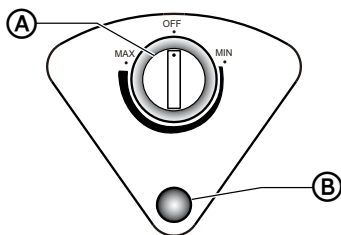
- N'ouvrez pas le couvercle.
- N'ajoutez pas d'aliments frais dans le congélateur.

## CONSEILS DE CONSERVATION D'ÉNERGIE

- Laissez les aliments chauds se refroidir à la température de la pièce avant de les placer dans le congélateur. Les aliments mettant du temps à surgeler peuvent se dégrader ou se gâter.
- La surcharge du congélateur fait en sorte que le compresseur fonctionne plus longtemps.
- Emballez les aliments de façon appropriée et essuyez bien les récipients avant de les mettre dans le congélateur. Ceci réduit l'accumulation de givre dans le congélateur.
- Ne placez pas de papier aluminium, de papier ciré ou d'essuie-tout sur les étagères. Ces derniers nuisent à la circulation d'air froid, diminuant le rendement du congélateur.
- Organisez et étiquetez vos aliments afin de diminuer les occasions d'ouverture de porte et la recherche sur une période prolongée. Sortez le plus d'articles possible, puis refermez la porte aussitôt.
- N'ajoutez PAS en même temps de grandes quantités d'aliments non surgelés dans le congélateur. Ceci affectera l'efficacité de refroidissement du congélateur.

## COMMANDES

L'indicateur d'alimentation sur le régulateur s'allume pour vous indiquer que le congélateur est branché à une source d'alimentation.



- (A) Cadran du régulateur de température
- (B) Indicateur d'alimentation

## RÉGLAGE DE LA TEMPÉRATURE

Le régulateur de température, situé près du coin inférieur droit du congélateur, affiche trois positions soit MAX, OFF et MIN.

- Température MAX : -13 °F (-24 °C)
- Température MIN : -0,4 °F (-12 °C)
- OFF : Désactive le refroidissement.

**IMPORTANT :** Le fait de régler la commande à la position OFF ne débranche PAS l'alimentation du congélateur.

## ENTRETIEN DU CONGÉLATEUR

Votre congélateur est conçu pour une utilisation soutenue et n'exige qu'un nettoyage et un entretien minimal. Pour assurer le bon fonctionnement de votre congélateur, libre de toute odeur, nous recommandons un nettoyage régulier.

### NETTOYAGE

#### AVERTISSEMENT

##### Risque de choc électrique

- Débranchez votre appareil ou coupez l'alimentation avant de procéder au nettoyage.
- Le non-respect de cette directive peut entraîner la mort, une décharge électrique ou des blessures corporelles.

#### AVERTISSEMENT

##### Risque d'explosion

- Utilisez un nettoyant non inflammable.
- Le non-respect de cette directive peut entraîner la mort, une explosion ou un incendie.

**IMPORTANT :** Pour empêcher d'endommager le revêtement, n'utilisez PAS d'essence, de benzène, de diluant ou autre solvant, et n'utilisez PAS de nettoyants abrasifs.

1. Débranchez le congélateur de la prise électrique.
2. Retirez tous les aliments.
3. Retirez et lavez toutes les étagères avec un détergent doux.
4. Lavez l'intérieur du congélateur à l'aide d'un linge doux et humide et d'une solution de bicarbonate de soude (2 c. à table de bicarbonate de soude dans 1 pinte d'eau tiède).

5. Nettoyez le joint d'étanchéité autour de la porte. Essuyez délicatement le joint à l'aide d'un linge humide doux et d'une solution de détergent doux.

**REMARQUE :** Les joints doivent être propres et flexibles pour assurer une bonne étanchéité.

6. Utilisez un linge doux pour essorer toutes les surfaces.  
7. Branchez de nouveau l'appareil.

## DÉGIVRAGE



### AVERTISSEMENT

#### Danger d'incendie ou d'explosion

- Ne perforez pas le tube du fluide frigorigène.
- Suivez attentivement les directives de manutention.
- Fluide frigorigène inflammable utilisé.
- Le non-respect de cette directive peut entraîner la mort, une explosion ou un incendie.

Votre congélateur doit être dégivré manuellement. Pour un fonctionnement optimal et pour minimiser la consommation d'énergie, dégivrez le congélateur lorsque le givre atteint une épaisseur de ¼ po (6 mm).

**IMPORTANT :** N'utilisez PAS d'eau bouillante pour dégivrer le congélateur.

1. Mettez la commande de température à la position OFF, puis débranchez le congélateur.
2. Ouvrez le couvercle du congélateur, puis retirez tous les aliments. Durant le dégivrage, placez les aliments à un endroit leur permettant de demeurer surgelés.

**REMARQUE :** Le dégivrage peut prendre quelques heures. Gardez le couvercle ouvert pour accélérer le processus de dégivrage.

3. Placez un plateau collecteur (non fourni) sous le trou de drainage pour collecter l'eau qui fond et s'écoule.
4. Retirez le bouchon du trou de drainage. Surveillez le plateau collecteur et videz-le régulièrement pour éviter le débordement.
5. Lorsque le dégivrage est terminé, essorez l'intérieur du congélateur avec un linge doux et remettez le bouchon dans le trou de drainage.



## AVERTISSEMENT

### Risque de choc électrique

- Branchez dans une prise à 3 fiches mise à la masse.
- Ne retirez pas la fiche de mise à la masse sur le cordon d'alimentation.
- N'utilisez pas d'adaptateur.
- N'utilisez pas de rallonge.
- Le non-respect de cette directive peut entraîner la mort, un incendie ou une décharge électrique.

6. Branchez dans une prise à 3 fiches mise à la masse.
7. Réglez de nouveau la température à MAX et attendez 2 à 3 heures pour permettre au congélateur de se refroidir.
8. Remplacez les aliments surgelés dans le congélateur et réglez la température au niveau désiré.

## DÉPLACEMENT

**IMPORTANT :** En déplaçant votre congélateur, n'inclinez PAS ce dernier plus de 45° de la position verticale.

1. Débranchez le congélateur de la prise électrique.
2. Retirez tous les aliments.
3. Fixez du ruban sur tous les articles amovibles à l'intérieur du congélateur.
4. Fixez du ruban sur la porte.

## EMPLACEMENT

**IMPORTANT :** Ne placez pas le congélateur dans un endroit accessible aux enfants.

1. Débranchez le congélateur de la prise électrique.
2. Retirez tous les aliments.
3. Nettoyez le congélateur.
4. Placez des blocs de bois ou de caoutchouc sous les bords du couvercle pour permettre à l'air de circuler à l'intérieur du congélateur. Ceci contribue à éviter la formation de condensation, de moisissure ou d'odeurs.

# DÉPANNAGE

**IMPORTANT : NE TENTEZ PAS** de réparer votre congélateur vous-même. Ce faisant, vous annulez votre garantie.

PROBLÈME	CAUSE POSSIBLE	SOLUTION
<b>Le congélateur ne fonctionne pas</b>	Le congélateur est débranché.	Assurez-vous que le cordon d'alimentation soit bien inséré dans la prise électrique.
	Le fusible dans le circuit est brûlé ou le disjoncteur est déclenché.	Vérifiez la boîte à fusible/ le disjoncteur et remplacez le fusible ou rétablissez le disjoncteur.
	Panne électrique.	Lors d'une panne électrique, le congélateur se désactive. Attendez le retour du courant.
	Le réglage de la température est à la position OFF	Tournez le cadran du régulateur de température à la position MAX ou MIN.
<b>Le couvercle du congélateur ne se referme pas complètement</b>	Des emballages obstruent la fermeture de la couvercle.	Déplacez ou retirez des aliments.
	Les joints d'étanchéité du couvercle sont souillés.	Nettoyez les joints d'étanchéité du couvercle.
<b>Les aliments dans le congélateur ne sont pas froids</b>	Le couvercle a été ouvert trop souvent ou est mal fermé.	Assurez-vous que le couvercle soit fermé de façon appropriée.
	Une grande quantité d'aliments vient d'être ajoutée au congélateur.	Allouez assez de temps pour permettre à ces nouveaux aliments de se refroidir, puis vérifiez de nouveau.
	Le couvercle n'est pas fermé complètement.	Vérifiez le joint d'étanchéité et la disposition des aliments, et assurez-vous que le couvercle se referme correctement.
	Le congélateur a été débranché sur une période prolongée.	Allouez 4 heures avant d'ajouter des aliments pour permettre au congélateur de se refroidir.
	Le réglage de la température est trop chaud.	Réglez la température à un niveau plus froid.

PROBLÈME	CAUSE POSSIBLE	SOLUTION
<b>Le congélateur émet des bruits ou des vibrations inhabituels</b>	Le congélateur touche à un mur.	Éloignez le congélateur du mur.
	Les pièces de métal font l'objet d'une expansion et d'une contraction.	Ceci est normal.
	Le fluide frigorigène circule dans tout le système.	Ceci est normal.
	Le compresseur pourrait émettre un son de bourdonnement, surtout lors de l'activation ou de la désactivation.	Ceci est normal.
<b>L'humidité s'accumule à l'intérieur du congélateur</b>	L'électrovalve ou le commutateur électrique pourrait vibrer.	Ceci est normal.
	Le couvercle a été ouvert trop souvent ou est mal fermé.	Assurez-vous que le couvercle soit fermé de façon appropriée.
	Le congélateur est situé dans une zone humide.	Déplacez le congélateur dans un endroit plus sec.
<b>Le couvercle du congélateur ne se referme pas complètement</b>	La température est élevée et humide.	Ceci est normal.
	Des emballages obstruent la fermeture du couvercle.	Déplacez ou retirez des aliments.
	Les joints d'étanchéité du couvercle sont souillés.	Nettoyez les joints d'étanchéité du couvercle.

PROBLÈME	CAUSE POSSIBLE	SOLUTION
<b>Le compresseur s'active et se désactive fréquemment</b>	La température de la pièce est plus élevée qu'en temps normal.	Ceci est normal.
	Vous remarquez une couche épaisse de givre dans le congélateur.	Dégivrez le congélateur. Consultez "Dégivrage."
	Une grande quantité d'aliments vient d'être ajoutée au congélateur.	Allouez assez de temps pour permettre à ces nouveaux aliments de se refroidir, puis vérifiez de nouveau.
	Le couvercle n'est pas fermé correctement ou a été ouvert trop souvent.	Vérifiez le joint d'étanchéité et la disposition des aliments, et assurez-vous que le couvercle se referme correctement.
	Le congélateur a été débranché sur une période prolongée.	Allouez 4 heures avant d'ajouter des aliments pour permettre au congélateur de se refroidir.
<b>Le congélateur dégage une odeur</b>	Le thermostat n'a pas été réglé correctement.	Réglez le thermostat au niveau approprié.
	Le congélateur a besoin d'être nettoyé. Les aliments mal emballés dégagent une odeur.	Nettoyez le congélateur. Consultez "Nettoyage." Emballer les aliments de façon adéquate avant de les placer dans le congélateur.

- Sécurité de congélateur
- Exigences en Matière de Fonctionnement
- Pièces et Caractéristiques
- Installation
- Avant l'utilisation
- Utilisation du congélateur
- Entretien du congélateur
- Dépannage

# **GARANTIE LIMITÉE CONGÉLATEUR MIDEA**

## **ATTACHEZ VOTRE REÇU AUX PRÉSENTES. UNE PREUVE D'ACHAT EST REQUISE POUR OBTENIR UN SERVICE TECHNIQUE COUVERT PAR LA GARANTIE.**

Veillez disposer des renseignements suivants lorsque vous appelez le Centre des services à la clientèle :

- Vos nom, adresse et numéro de téléphone
- Le numéro de modèle et le numéro de série de votre appareil
- Une description claire et détaillée du problème
- Une preuve d'achat, notamment le nom et l'adresse du concessionnaire ou du détaillant

### **SI VOUS AVEZ BESOIN D'UN SERVICE TECHNIQUE :**

1. Avant de communiquer avec nous pour organiser un service technique, déterminez si votre produit doit être réparé. Quelques problèmes peuvent être résolus sans service technique. Prenez quelques minutes pour revoir la section du Diagnostic de pannes du guide de l'utilisateur, ou consultez <http://us.Midea.com/support>.
2. Tout service technique couvert par la garantie est assuré exclusivement par nos prestataires de service technique Midea autorisés, aux États-Unis et au Canada.

#### **Services à la clientèle Midea**

**Aux États-Unis ou au Canada, appelez le 1-866-646-4332.**

Si vous résidez hors des 50 États des États-Unis ou hors du Canada, communiquez avec votre concessionnaire Midea autorisé pour déterminer si une autre garantie s'applique.

## **1 AN PIÈCES ET SERVICE**

### **CE QUE LA GARANTIE COUVRE**

#### **GARANTIE LIMITÉE POUR LA PREMIÈRE ANNÉE (PIÈCES ET MAIN-D'ŒUVRE)**

Midea réparera ou remplacera, sans frais, toute défaillance provoquée par une fabrication ou des matériaux défectueux, pendant un an à compter de la date d'achat. Pour de plus amples renseignements sur la couverture de la garantie et les réparations sous garantie, visitez [www.midea.com](http://www.midea.com) ou composez **1 866 646-4332**.

#### **GARANTIE DE DIX 10 ANS, UNIQUEMENT SUR LE COMPRESSEUR — LA MAIN-D'ŒUVRE N'EST PAS INCLUSE**

Entre la deuxième et dixième année, à compter de la date d'achat original, lorsque cet appareil est installé, utilisé et entretenu selon les instructions fournies avec le produit, Midea paiera pour le remplacement des pièces d'usine du compresseur dans la présence d'une défectuosité, afin de poursuivre son bon fonctionnement, comme au premier jour de l'achat. Cette garantie de 10 ans ne couvre que les pièces seulement, et n'inclut pas la main-d'œuvre.

#### **Le consommateur sera responsable des :**

- Coûts associés aux diagnostics, à la dépose, au transport et à la réinstallation suite à l'entretien.
- Coûts d'entretien résultant des points figurant sous **RESPONSABILITÉS NORMALES DU CONSOMMATEUR\*\***

#### **RESPONSABILITÉS NORMALES DU CONSOMMATEUR\*\***

**Cette garantie s'applique uniquement aux produits faisant l'objet d'une utilisation résidentielle normale, et le consommateur est responsable des points suivants :**

1. Utilisation appropriée de l'appareil, respectant les directives fournies avec le produit.
2. Entretien périodique et nettoyage requis pour maintenir l'appareil en bon état de fonctionnement.
3. Installation appropriée par un professionnel agréé, respectant les directives fournies avec l'appareil et les codes municipaux en matière de plomberie, électricité et/ou gaz.
4. Branchement approprié à une prise électrique mise à la masse, fournissant un courant suffisant; remplacement des fusibles brûlés; réparation des connexions desserrées ou des défectuosités au niveau des installations électriques.
5. Dépenses requises pour rendre l'appareil accessible pour l'entretien.
6. Dommages sur le revêtement suite à l'installation.

VOTRE REMÈDE UNIQUE ET EXCLUSIF EN VERTU DE LA PRÉSENTE GARANTIE LIMITÉE EST LA RÉPARATION OU LE REMPLACEMENT DU PRODUIT, COMME PRÉVU AUX PRÉSENTES. Le service technique doit être assuré par une entreprise d'entretien désignée par Midea. La garantie limitée est valide uniquement dans les 50 États des États-Unis ou au Canada et s'applique uniquement si l'appareil ménager est utilisé dans le pays où il a été acheté. La présente garantie limitée entre en vigueur à compter de la date de l'achat original de l'appareil ménager par le consommateur. Une preuve de la date de l'achat original doit être présentée pour obtenir un service technique en vertu de la présente garantie limitée.

## CE QUE LA GARANTIE NE COUVRE PAS

1. Une défectuosité causée par un dommage survenu depuis que l'appareil est en votre possession (autre que les dommages causés par un défaut ou un mauvais fonctionnement), par une installation inadéquate, ou par une utilisation non raisonnable du produit, incluant et sans s'y limiter, le défaut d'assurer un entretien raisonnable et nécessaire ou de suivre les directives écrites et de lire le manuel d'instructions.
2. Les produits achetés "tels quels" ou les produits réusinés ne sont pas couverts par cette garantie.
3. La perte de nourriture suite à une défectuosité du réfrigérateur ou du congélateur.
4. Les visites d'entretien pour réparer ou remplacer les pièces consommables comme les filtres hydrauliques, les ampoules, les filtres pneumatiques, etc., ou les poignées, les boutons ou autres pièces cosmétiques.
5. Les produits ayant été transférés de leur propriétaire original.
6. La rouille à l'extérieur ou à l'intérieur de l'unité.
7. Les dommages causés par l'entretien effectué par une personne autre qu'un professionnel agréé Midea; l'utilisation de pièces autres que les pièces de rechange Midea ou obtenues par des personnes autres que le service à la clientèle Midea; les causes externes comme l'abus, la mauvaise utilisation, l'alimentation inadéquate ou tout événement de force majeure.
8. L'entretien résultant d'une installation inappropriée de votre produit.
9. La visite servant à vous enseigner l'utilisation de votre produit.
10. Les suppléments, incluant, mais sans s'y limiter, tout appel de service après les heures normales, les week-ends ou les jours fériés, les péages, les frais de transport, le kilométrage pour tout appel de service dans une région éloignée.
11. Si cette unité est utilisée pour des raisons commerciales, locatives ou autre application qui n'est pas vouée à une utilisation résidentielle, nous ne formulons aucune garantie, explicite ou implicite de valeur marchande ou d'adéquation à un usage particulier.
12. Si le produit a été déplacé hors des États-Unis ou du Canada.
13. Si le produit n'affiche pas le numéro de série original ou si ce dernier a été altéré ou ne peut être facilement reconnu.

**REMARQUE :** Certains états n'acceptent pas l'exclusion ou la restriction des dommages indirects ou accessoires. Ainsi, cette exclusion ou restriction pourrait ne pas s'appliquer à vous.

**Dans ces circonstances exclues, le coût des réparations ou du remplacement du produit sera assumé par le client.**

---

### DÉNÉGATION DE GARANTIES IMPLICITES

LES GARANTIES IMPLICITES, Y COMPRIS TOUTE GARANTIE IMPLICITE DE QUALITÉ MARCHANDE OU GARANTIE IMPLICITE D'APTITUDE À UN EMPLOI PARTICULIER, SONT LIMITÉES À UNE PÉRIODE D'UN AN OU À LA PÉRIODE LA PLUS COURTE PERMISE PAR LA LOI. Quelques états et provinces ne permettent pas l'imposition d'une limite à la durée des garanties implicites de qualité marchande ou d'aptitude à l'emploi et, par conséquent, il est possible que cette limitation ne vous concerne pas. La présente garantie vous confère certains droits légaux. Vous pouvez également jouir d'autres droits, lesquels varient d'un état à l'autre ou d'une province à l'autre.

---

### DÉNÉGATION DE DÉCLARATIONS NE RELEVANT PAS DE LA GARANTIE

Midea ne fait aucune déclaration concernant la qualité ou la durabilité de cet appareil ménager, ni son besoin de service technique ou de réparation, à part les déclarations formulées dans la présente garantie. Si vous souhaitez une garantie plus longue ou plus complète que la garantie limitée qui accompagne cet appareil ménager, veuillez communiquer avec Midea ou votre détaillant au sujet de l'achat d'une prolongation de garantie.

---

### LIMITATION DES REMÈDES; EXCLUSION DES DOMMAGES ACCESSOIRES ET DES DOMMAGES INDIRECTS

VOTRE REMÈDE UNIQUE ET EXCLUSIF EN VERTU DE LA PRÉSENTE GARANTIE LIMITÉE EST LA RÉPARATION DU PRODUIT PAR MIDEA, COMME PRÉVU AUX PRÉSENTES. MIDEA N'EST PAS RESPONSABLE DES DOMMAGES ACCESSOIRES ET INDIRECTS. Quelques états et provinces ne permettent pas l'exclusion ou la limitation de dommages accessoires ou indirects et, par conséquent, il est possible que ces limitations et ces exclusions ne vous concernent pas. La présente garantie vous confère certains droits légaux. Vous pouvez également jouir d'autres droits, lesquels varient d'un état à l'autre ou d'une province à l'autre.



**make yourself at home**