



# DRYER INSTALLATION INSTRUCTIONS

## 27" Wide Models

### Gas (U.S.A. and Canada) & Electric (Canada Only)

## INSTRUCTIONS D'INSTALLATION DE LA SÈCHEUSE

### Modèles de 27" de largeur

## À gaz (É.-U. et Canada) et Électrique (Canada uniquement)

Para obtener acceso al manual de uso y cuidado en español, o para obtener información adicional acerca de su producto, visite: [www.maytag.com](http://www.maytag.com)

Tenga listo su número de modelo completo. Puede encontrar el número de modelo y de serie dentro de la cavidad superior de la puerta.

### Table of Contents

DRYER SAFETY .....	2
INSTALLATION REQUIREMENTS.....	5
Tools and Parts.....	5
LOCATION REQUIREMENTS.....	6
ELECTRIC DRYER POWER HOOKUP – CANADA ONLY .....	8
Electrical Requirements .....	8
INSTALL LEVELING LEGS.....	9
GAS DRYER POWER HOOKUP .....	9
Gas Supply Requirements.....	9
Electrical Requirements .....	11
VENTING.....	11
Venting Requirements.....	11
Plan Vent System.....	12
Venting Kits.....	13
Install Vent System.....	14
Make Gas Connection .....	14
Connect Vent .....	15
LEVEL DRYER.....	15
COMPLETE INSTALLATION CHECKLIST .....	16
REVERSE DOOR SWING (OPTIONAL) .....	16
TROUBLESHOOTING .....	18

### Table des matières

SÉCURITÉ DE LA SÈCHEUSE .....	19
EXIGENCES D'INSTALLATION .....	22
Outillage et pièces .....	22
EXIGENCES D'EMPLACEMENT .....	23
RACCORDEMENT À L'ALIMENTATION ÉLECTRIQUE DE LA SÈCHEUSE ÉLECTRIQUE – CANADA SEULEMENT ...	25
Spécifications électriques.....	25
INSTALLATION DES PIEDS DE NIVELLEMENT .....	26
RACCORDEMENT D'UNE SÈCHEUSE À GAZ .....	26
Spécifications de l'alimentation en gaz .....	26
Spécifications électriques.....	28
L'ÉVACUATION.....	28
Exigences concernant l'évacuation .....	28
Planification du système d'évacuation .....	29
Trousse d'évacuation .....	30
Installation du circuit d'évacuation .....	32
Raccordement au gaz.....	32
Raccordement du conduit d'évacuation.....	33
RÉGLAGE DE L'APLOMB DE LA SÈCHEUSE.....	33
ACHEVER L'INSTALLATION – LISTE DE VÉRIFICATION.....	34
INVERSION DU SENS DE L'OUVERTURE DE LA PORTE (FACULTATIF) .....	34
DÉPANNAGE .....	36

### INSTALLATION NOTES

Date of purchase: \_\_\_\_\_

Date of installation: \_\_\_\_\_

Installer: \_\_\_\_\_

Model number: \_\_\_\_\_

Serial number: \_\_\_\_\_

### NOTES CONCERNANT L'INSTALLATION

Date d'achat : \_\_\_\_\_

Date d'installation : \_\_\_\_\_

Installateur : \_\_\_\_\_

Numéro de modèle : \_\_\_\_\_

Numéro de série : \_\_\_\_\_



# DRYER SAFETY

## Your safety and the safety of others are very important.

We have provided many important safety messages in this manual and on your appliance. Always read and obey all safety messages.



This is the safety alert symbol.

This symbol alerts you to potential hazards that can kill or hurt you and others.

All safety messages will follow the safety alert symbol and either the word “DANGER” or “WARNING.”

These words mean:

**⚠ DANGER**

You can be killed or seriously injured if you don't immediately follow instructions.

**⚠ WARNING**

You can be killed or seriously injured if you don't follow instructions.

All safety messages will tell you what the potential hazard is, tell you how to reduce the chance of injury, and tell you what can happen if the instructions are not followed.



## **WARNING - “Risk of Fire”**

- Clothes dryer installation must be performed by a qualified installer.
- Install the clothes dryer according to the manufacturer's instructions and local codes.
- Do not install a clothes dryer with flexible plastic venting materials or flexible metal (foil type) duct. If flexible metal duct is installed, it must be of a specific type identified by the appliance manufacturer as suitable for use with clothes dryers. Flexible venting materials are known to collapse, be easily crushed, and trap lint. These conditions will obstruct clothes dryer airflow and increase the risk of fire.
- To reduce the risk of severe injury or death, follow all installation instructions.
- Save these instructions.

### **⚠ WARNING**

#### **Fire Hazard**

**Failure to follow safety warnings exactly could result in serious injury, death, or property damage.**

**Do not install a booster fan in the exhaust duct.**

**Install all clothes dryers in accordance with the installation instructions of the manufacturer of the dryer.**

**IMPORTANT:** The gas installation must conform with local codes, or in the absence of local codes, with the National Fuel Gas Code, ANSI Z223.1/NFPA 54, or the Natural Gas and Propane Installation Code, CSA B149.1.

The dryer must be electrically grounded in accordance with local codes, or in the absence of local codes, with the National Electrical Code, ANSI/NFPA 70, or the Canadian Electrical Code, Part 1, CSA C22.1.

In the State of Massachusetts, the following installation instructions apply:

- Installations and repairs must be performed by a qualified or licensed contractor, plumber, or gas fitter qualified or licensed by the State of Massachusetts.
- Acceptable Shut-off Devices: Gas Cocks and Ball Valves installed for use shall be listed.
- A flexible gas connector, when used, must not exceed 4 feet (121.9 cm).

 **WARNING:**

**FIRE OR EXPLOSION HAZARD**

**Failure to follow safety warnings exactly could result in serious injury, death, or property damage.**

- **Do not store or use gasoline or other flammable vapors and liquids in the vicinity of this or any other appliance.**
- **WHAT TO DO IF YOU SMELL GAS:**
  - **Do not try to light any appliance.**
  - **Do not touch any electrical switch; do not use any phone in your building.**
  - **Clear the room, building, or area of all occupants.**
  - **Immediately call your gas supplier from a neighbor's phone. Follow the gas supplier's instructions.**
  - **If you cannot reach your gas supplier, call the fire department.**
- **Installation and service must be performed by a qualified installer, service agency, or the gas supplier.**

**WARNING:** Gas leaks cannot always be detected by smell.

Gas suppliers recommend that you use a gas detector approved by UL or CSA.

For more information, contact your gas supplier.

If a gas leak is detected, follow the "What to do if you smell gas" instructions.

State of California Proposition 65 Warnings:

**WARNING:** This product contains one or more chemicals known to the State of California to cause cancer.

**WARNING:** This product contains one or more chemicals known to the State of California to cause birth defects or other reproductive harm.

**IMPORTANT SAFETY INSTRUCTIONS**

When discarding or storing your old clothes dryer, remove the door.

**SAVE THESE INSTRUCTIONS**

## IMPORTANT SAFETY INSTRUCTIONS

**WARNING:** To reduce the risk of fire, electric shock, or injury to persons when using the dryer, follow basic precautions, including the following:

- Read all instructions before using the dryer.
- Do not place items exposed to cooking oils in your dryer. Items contaminated with cooking oils may contribute to a chemical reaction that could cause a load to catch fire.
- Do not dry articles that have been previously cleaned in, washed in, soaked in, or spotted with gasoline, dry-cleaning solvents, or other flammable or explosive substances as they give off vapors that could ignite or explode.
- Do not allow children to play on or in the dryer. Close supervision of children is necessary when the dryer is used near children.
- Before the dryer is removed from service or discarded, remove the door to the drying compartment.
- Do not reach into the dryer if the drum is moving.
- Do not install or store the dryer where it will be exposed to the weather.
- Do not tamper with controls.
- Do not repair or replace any part of the dryer or attempt any servicing unless specifically recommended in this Use and Care Guide or in published user-repair instructions that you understand and have the skills to carry out.
- Do not use fabric softeners or products to eliminate static unless recommended by the manufacturer of the fabric softener or product.
- Do not use heat to dry articles containing foam rubber or similarly textured rubber-like materials.
- Clean lint screen before or after each load.
- Keep area around the exhaust opening and adjacent surrounding areas free from the accumulation of lint, dust, and dirt.
- The interior of the dryer and exhaust vent should be cleaned periodically by qualified service personnel.
- See "Electrical Requirements" located in the installation instructions for grounding instructions.

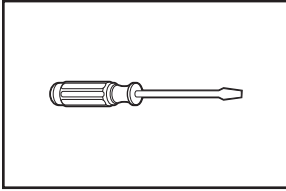
**SAVE THESE INSTRUCTIONS**

# INSTALLATION REQUIREMENTS

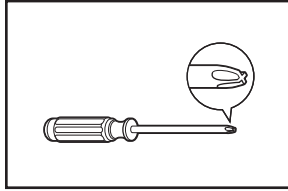
## Tools and Parts

Gather the required tools and parts before starting installation.

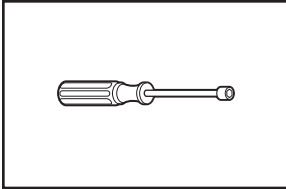
### Tools needed for all installations:



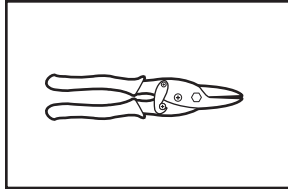
Flat-blade screwdriver



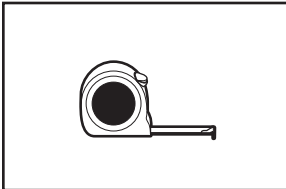
#2 Phillips screwdriver



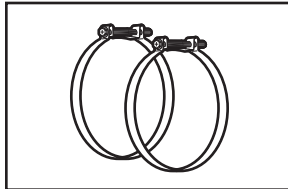
1/4" (6 mm) nut driver or socket wrench (recommended)



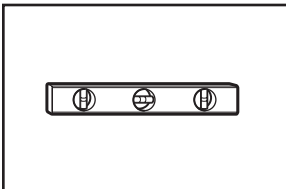
Tin snips (new vent installations)



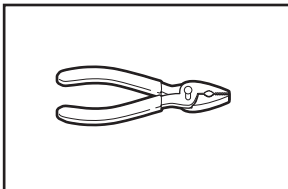
Tape measure



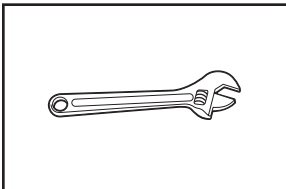
Vent clamps



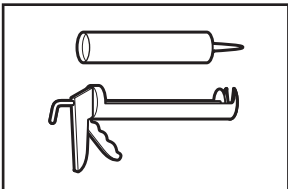
Level



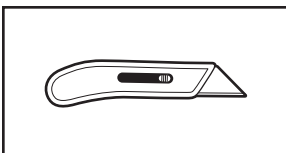
Pliers



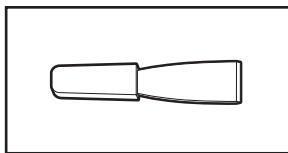
Adjustable wrench that opens to 1" (25 mm) or hex-head socket wrench



Caulking gun and compound (for installing new exhaust vent)

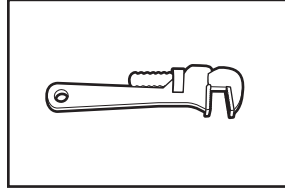


Utility knife

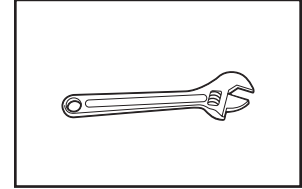


Putty knife

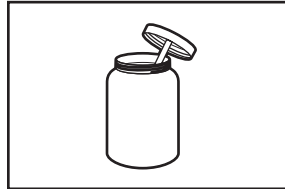
### Tools needed for gas installations:



8" (203 mm) or 10" (254 mm) pipe wrench

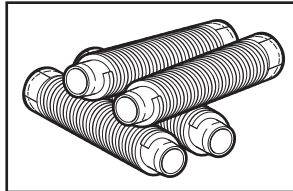


8" (203 mm) or 10" (254 mm) adjustable wrench (for gas connections)



Pipe-joint compound resistant to propane gas

### Parts supplied:



Leveling legs (4)

Parts package is located in dryer drum. Check that all parts are included.

### Parts needed:

Check local codes. Check existing electrical supply and venting. See "Electrical Requirements" and "Venting Requirements" before purchasing parts.


Check code requirements. Some codes limit, or do not permit, installing dryer in garages, closets, mobile homes, or sleeping quarters. Contact your local building inspector.

### Optional Equipment (Not supplied with dryer):

Refer to your Use and Care Guide for information about accessories available for your dryer.

# LOCATION REQUIREMENTS

**⚠ WARNING**



**Explosion Hazard**

**Keep flammable materials and vapors, such as gasoline, away from dryer.**

**Place dryer at least 18 inches (460 mm) above the floor for a garage installation.**

**Failure to do so can result in death, explosion, or fire.**

### You will need:

- A location allowing for proper exhaust installation. See "Venting Requirements."
- A separate 30-amp circuit for electric dryers.
- A separate 15- or 20-amp circuit for gas dryers.
- If you are using power supply cord, a grounded electrical outlet located within 2 ft. (610 mm) of either side of dryer. See "Electrical Requirements."
- A sturdy floor to support dryer and a total weight (dryer and load) of 200 lbs. (90.7 kg). The combined weight of a companion appliance should also be considered.
- Level floor with maximum slope of 1" (25 mm) under entire dryer. If slope is greater than 1" (25 mm), install Extended Dryer Feet Kit, Part Number 279810. If not level, clothes may not tumble properly and automatic sensor cycles may not operate correctly.

Do not operate your dryer at temperatures below 45°F (7°C). At lower temperatures, the dryer might not shut off at the end of an automatic cycle. Drying times can be extended.

The dryer must not be installed or stored in an area where it will be exposed to water and/or weather.

Check code requirements. Some codes limit, or do not permit, installation of the dryer in garages, closets, mobile homes, or sleeping quarters. Contact your local building inspector.

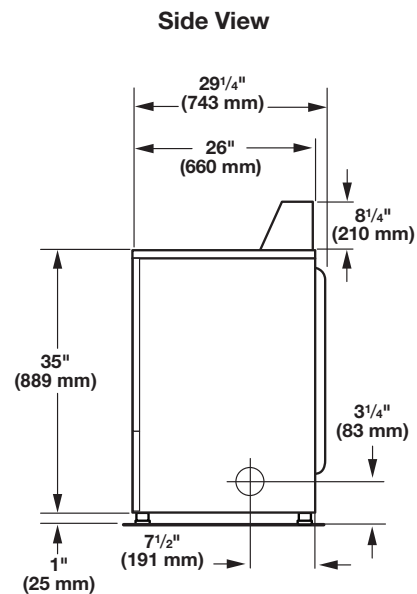
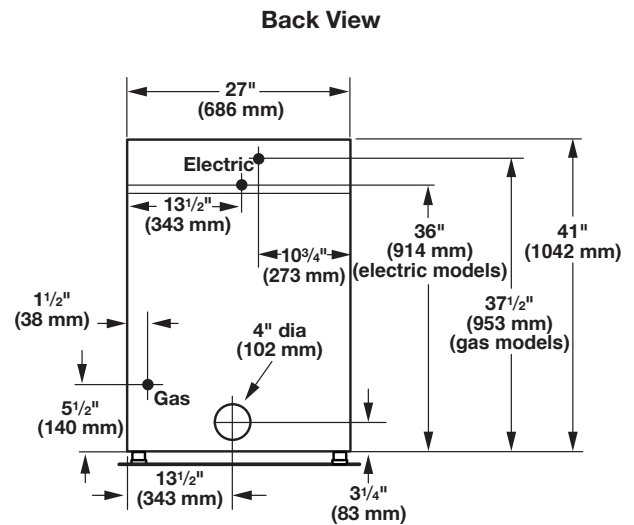
**NOTE:** No other fuel-burning appliance can be installed in the same closet as a dryer.

### Installation clearances:

The location must be large enough to allow the dryer door to open fully.

Most installations require a minimum 5½" (140 mm) clearance behind the dryer for the exhaust vent with elbow. See "Venting Requirements."

# Dryer Dimensions



Most installations require a minimum 5½" (140 mm) clearance behind the dryer for the exhaust vent with elbow. See "Venting Requirements."

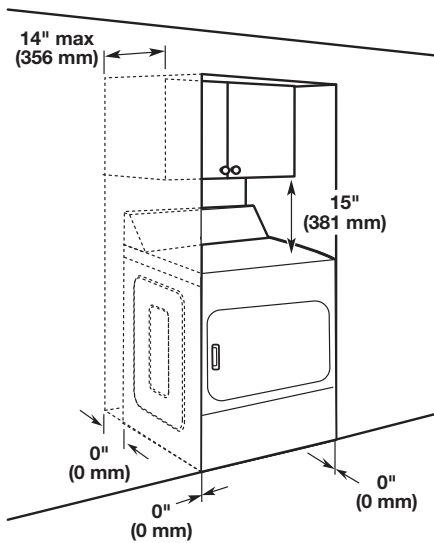
## Minimum spacing for recessed area or closet installation

The dimensions shown following are for the minimum spacing allowed.

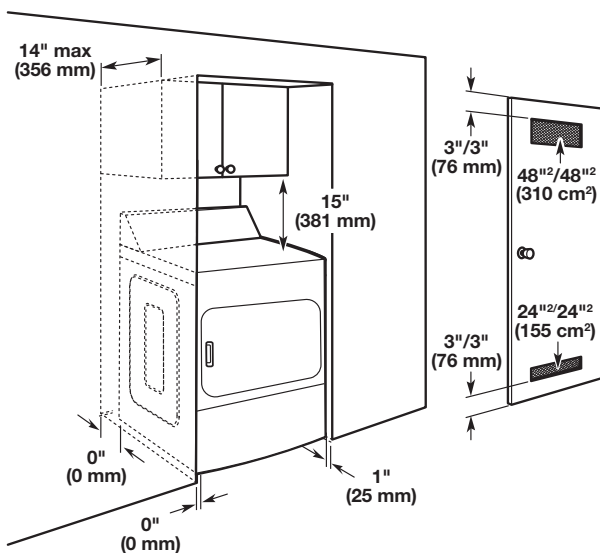
- Additional spacing should be considered for ease of installation and servicing.
- Additional clearances might be required for wall, door, and floor moldings.
- Additional spacing of 1" (25 mm) on all sides of the dryer is recommended to reduce noise transfer.
- For closet installation, with a door, minimum ventilation openings in the top and bottom of the door are required. Louvered doors with equivalent ventilation openings are acceptable.
- Companion appliance spacing should also be considered.

## Minimum Required Spacing

### Recessed Area Installation



### Closet Installation



Additional spacing recommended

## Mobile home – Additional installation requirements


This dryer is suitable for mobile home installations. The installation must conform to the Manufactured Home Construction and Safety Standard, Title 24 CFR, Part 3280 (formerly the Federal Standard for Mobile Home Construction and Safety, Title 24, HUD Part 280) or the Canadian Manufactured Home Standard CAN/CSA-Z240 MH.

- Metal exhaust system hardware, which is available for purchase. For further information, please reference the "Assistance or Service" section of the Use and Care Guide.
- Special provisions must be made in mobile homes to introduce outside air into the dryer. The opening (such as a nearby window) should be at least twice as large as the dryer exhaust opening.

# ELECTRIC DRYER POWER HOOKUP – CANADA ONLY

## Electrical Requirements

**⚠ WARNING**



**Electrical Shock Hazard**

**Plug into a grounded 4 prong outlet.**

**Failure to do so can result in death or electrical shock.**

### It is your responsibility:

- To contact a qualified electrical installer.
- To be sure that the electrical connection is adequate and in conformance with the Canadian Electrical Code, C22.1 – latest edition and all local codes. A copy of the above codes standard may be obtained from: Canadian Standards Association, 178 Rexdale Blvd., Toronto, ON M9W 1R3 CANADA.
- To supply the required 4-wire, single phase, 120-/240-volt, 60 Hz., AC-only electrical supply on a separate 30-amp circuit, fused on both sides of the line. A time-delay fuse or circuit breaker is recommended. Connect to an individual branch circuit.
- This dryer is equipped with a UL Listed and/or CSA International Certified Power Cord intended to be plugged into a standard 14-30R wall receptacle. The cord is 5 ft. (1.52 m) in length. Be sure wall receptacle is within reach of dryer's final location.



4-wire receptacle (14-30R)

- Do not use an extension cord.

If using a replacement power supply cord, it is recommended that you use Power Supply Cord Replacement Part Number 8579325. For further information, please reference the "Assistance or Service" section of the Use and Care Guide.

## GROUNDING INSTRUCTIONS

- For a grounded, cord-connected dryer:  
This dryer must be grounded. In the event of malfunction or breakdown, grounding will reduce the risk of electric shock by providing a path of least resistance for electric current. This dryer is equipped with a cord having an equipment-grounding conductor and a grounding plug. The plug must be plugged into an appropriate outlet that is properly installed and grounded in accordance with all local codes and ordinances.

**WARNING:** Improper connection of the equipment-grounding conductor can result in a risk of electric shock. Check with a qualified electrician or service representative or personnel if you are in doubt as to whether the dryer is properly grounded. Do not modify the plug provided with the dryer: if it will not fit the outlet, have a proper outlet installed by a qualified electrician.

## SAVE THESE INSTRUCTIONS



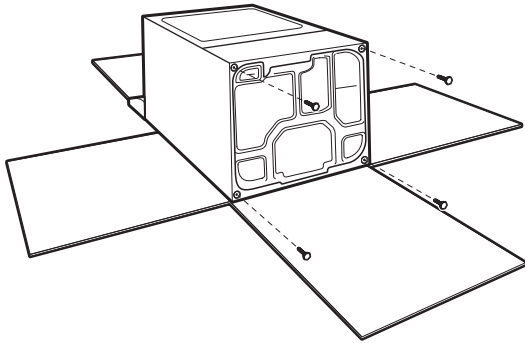
## INSTALL LEVELING LEGS

### **WARNING**

#### Excessive Weight Hazard

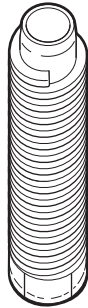
Use two or more people to move and install dryer.  
Failure to do so can result in back or other injury.

### 1. Prepare dryer for leveling legs



To avoid damaging floor, use a large flat piece of cardboard from dryer carton; place under entire back edge of dryer. Firmly grasp dryer body (not console panel) and gently lay dryer down on cardboard.

### 2. Screw in leveling legs

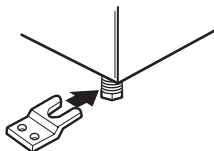


Using a wrench and tape measure, screw legs into leg holes until bottom of foot is approximately 1½" (38 mm) from bottom of dryer.

Now stand the dryer on its legs. Slide the dryer until it is close to its final location. Leave enough room for electrical connection and to connect the exhaust vent.

#### For mobile home use

Gas dryers must be securely fastened to the floor.



Mobile home installations require a Mobile Home Installation Hold-down Kit. For ordering information, please reference the Use and Care Guide.

## GAS DRYER POWER HOOKUP

### Gas Supply Requirements

### **WARNING**



#### Explosion Hazard

Use a new CSA International approved gas supply line.

Install a shut-off valve.

Securely tighten all gas connections.

If connected to propane, have a qualified person make sure gas pressure does not exceed 13" (330 mm) water column.

Examples of a qualified person include:

licensed heating personnel,  
authorized gas company personnel, and  
authorized service personnel.

Failure to do so can result in death, explosion, or fire.

#### GAS TYPE

##### Natural gas:

This dryer is equipped for use with natural gas. It is certified by UL for use with propane gas with appropriate conversion.

- Your dryer must have the correct burner for the type of gas in your home. Burner information is located on the rating plate in the door well of your dryer. If this information does not agree with the type of gas available, please reference the "Assistance or Service" section of the Use and Care Guide.

##### Propane gas conversion:

**IMPORTANT:** Conversion must be made by a qualified technician.

No attempt shall be made to convert the dryer from the gas specified on the model/serial rating plate for use with a different gas without consulting the serving gas supplier.

**IMPORTANT:** The gas installation must conform with local codes, or in the absence of local codes, with the National Fuel Gas Code, ANSI Z223.1/NFPA 54 or the Canadian Natural Gas and Propane Installation Code, CSA B149.1.

## GAS SUPPLY LINE

- 1/2" NPT pipe is recommended.
- 3/8" approved tubing is acceptable for lengths under 20 ft. (6.1 m) if local codes and gas supplier permit.
- Must include 1/8" NPT minimum plugged tapping accessible for test gauge connection, immediately upstream of the gas connection to the dryer (see illustration).
- Must include a shut-off valve.

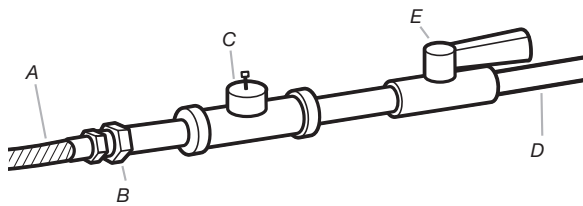
### In the U.S.A.:

An individual manual shut-off valve must be installed within six (6) feet (1.8 m) of the dryer in accordance with the National Fuel Gas Code, ANSI Z223.1.

### In Canada:

An individual manual shut-off valve must be installed in accordance with the B149.1, Natural Gas and Propane Installation Code. It is recommended that an individual manual shut-off valve be installed within six (6) feet (1.8 m) of the dryer.

The shut-off valve location should be easy to reach for opening and closing.



- A. 3/8" flexible gas connector
- B. 3/8" pipe to flare adapter fitting
- C. 1/8" NPT minimum plugged tapping
- D. 1/2" NPT gas supply line
- E. Gas shut-off valve

## GAS SUPPLY CONNECTION REQUIREMENTS

There are many methods by which your gas dryer can be connected to the gas supply. Listed here are some guidelines for two different methods of connection.

This dryer must be connected to the gas supply line with a listed flexible gas connector that complies with the standard for connectors for gas appliances, ANSI Z21.24 or CSA 6.10.

### Option 1 (Recommended Method)

Flexible stainless steel gas connector:

- If local codes permit, use a new flexible stainless steel gas connector (Design Certified by the American Gas Association or CSA International) to connect your dryer to the rigid gas supply line. Use an elbow and a 3/8" flare x 3/8" NPT adapter fitting between the stainless steel gas connector and the dryer gas pipe, as needed to prevent kinking.

### Option 2 (Alternate Method)

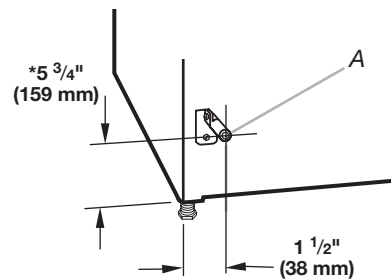
Approved aluminum or copper tubing:

- Lengths over 20 ft. (6.1 m) can use 3/8" approved tubing (if codes and gas supplier permit).
- If you are using natural gas, do not use copper tubing.
- 3/8" flare x 3/8" NPT adapter fitting between dryer pipe and 3/8" approved tubing.
- Lengths over 20 ft. (6.1 m) should use larger tubing and a different size adapter fitting.
- If your dryer has been converted to use propane gas, 3/8" propane compatible copper tubing can be used. If the total length of the supply line is more than 20 ft. (6.1 m), use larger pipe.

**NOTE:** Pipe joint compounds that resist the action of propane gas must be used. Do not use TEFLON<sup>®†</sup> tape.

## DRYER GAS PIPE

- The gas pipe that comes out through the rear of your dryer has a 3/8" male pipe thread.



A. 3/8" NPT dryer pipe

## BURNER INPUT REQUIREMENTS

### Elevations up to 10,000 ft. (3,048 m):

- The design of this dryer is certified by CSA International for use at altitudes up to 10,000 ft. (3,048 m) above sea level at the B.T.U. rating indicated on the model/serial number plate. Burner input adjustments are not required when the dryer is operated up to this elevation.

### Elevations above 10,000 ft. (3,048 m):

- When installed above 10,000 ft. (3,048 m), a 4% reduction of the burner B.T.U. rating shown on the model/serial number plate is required for each 1,000 ft. (305 m) increase in elevation.

### Gas supply pressure testing

- The dryer must be disconnected from the gas supply piping system during pressure testing at pressures greater than 1/2 psi.

†<sup>®</sup>TEFLON is a registered trademark of Chemours.

## Electrical Requirements

### **⚠ WARNING**



#### Electrical Shock Hazard

- Plug into a grounded 3 prong outlet.
- Do not remove ground prong.
- Do not use an adapter.
- Do not use an extension cord.
- Failure to follow these instructions can result in death, fire, or electrical shock.

- 120-volt, 60 Hz., AC-only, 15- or 20-amp fused electrical supply is required. A time-delay fuse or circuit breaker is recommended. It is also recommended that a separate circuit serving only this dryer be provided.

### GROUNDING INSTRUCTIONS

- For a grounded, cord-connected dryer:  
This dryer must be grounded. In the event of malfunction or breakdown, grounding will reduce the risk of electric shock by providing a path of least resistance for electric current. This dryer is equipped with a cord having an equipment-grounding conductor and a grounding plug. The plug must be plugged into an appropriate outlet that is properly installed and grounded in accordance with all local codes and ordinances.

**WARNING:** Improper connection of the equipment-grounding conductor can result in a risk of electric shock. Check with a qualified electrician or service representative or personnel if you are in doubt as to whether the dryer is properly grounded. Do not modify the plug provided with the dryer: if it will not fit the outlet, have a proper outlet installed by a qualified electrician.

### SAVE THESE INSTRUCTIONS

## VENTING

### Venting Requirements

### **⚠ WARNING**

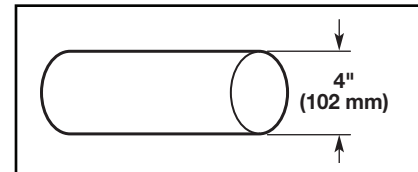


#### Fire Hazard

- Use a heavy metal vent.
- Do not use a plastic vent.
- Do not use a metal foil vent.
- Failure to follow these instructions can result in death or fire.

**WARNING:** To reduce the risk of fire, this dryer MUST BE EXHAUSTED OUTDOORS.

**IMPORTANT:** Observe all governing codes and ordinances. Dryer exhaust must not be connected into any gas vent, chimney, wall, ceiling, attic, crawlspace, or a concealed space of a building. Only rigid or flexible metal vent shall be used for exhausting.



4" (102 mm) heavy metal exhaust vent

- Only a 4" (102 mm) heavy metal exhaust vent and clamps may be used.
- Do not use plastic or metal foil vent.

#### Rigid metal vent:

- Recommended for best drying performance and to avoid crushing and kinking.

#### Flexible metal vent: (Acceptable only if accessible to clean)

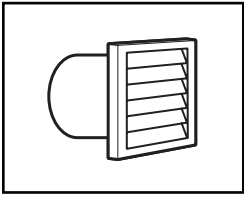
- Must be fully extended and supported in final dryer location.
- Remove excess to avoid sagging and kinking that may result in reduced airflow and poor performance.
- Do not install in enclosed walls, ceilings, or floors.
- The total length should not exceed 7<sup>3</sup>/<sub>4</sub> ft. (2.4 m).

**NOTE:** If using an existing vent system, clean lint from entire length of the system and make sure exhaust hood is not plugged with lint. Replace plastic or metal foil vents with rigid metal or flexible metal vents. Review "Vent System Chart" and, if necessary, modify existing vent system to achieve best drying performance.

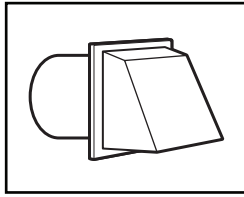
**Exhaust hoods:**

- Must be at least 12" (305 mm) from ground or any object that may obstruct exhaust (such as flowers, rocks, bushes, or snow).

**Recommended Styles:**

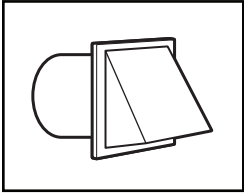


Louvered hood



Box hood

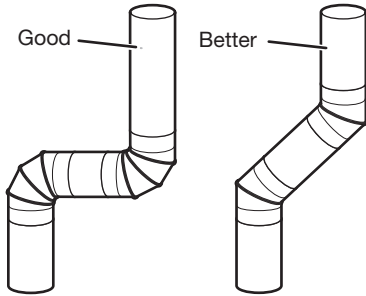
**Acceptable Style:**



Angled hood

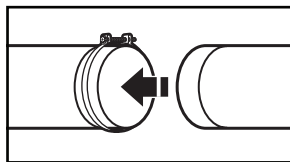
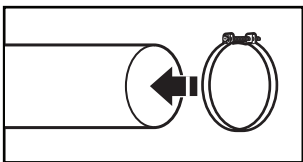
**Elbows:**

- 45° elbows provide better airflow than 90° elbows.



**Clamps:**

- Use clamps to seal all joints.
- Exhaust vent must not be connected or secured with screws or other fastening devices that extend into interior of duct and catch lint. Do not use duct tape.



**Improper venting can cause moisture and lint to collect indoors, which may result in:**

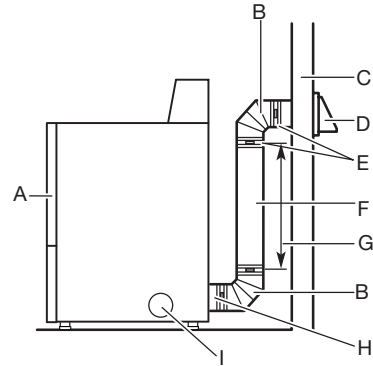
- Moisture damage to woodwork, furniture, paint, wallpaper, carpets, etc.
- Housecleaning problems and health problems.

See "Venting Kits" for more information.

**Plan Vent System**

**Recommended exhaust installations**

Typical installations vent the dryer from the rear of the dryer. Other installations are possible.



- A. Dryer
- B. Elbow
- C. Wall
- D. Exhaust hood
- E. Clamps
- F. Rigid metal or flexible metal vent
- G. Vent length necessary to connect elbows
- H. Exhaust outlet
- I. Optional side exhaust outlet

**Optional exhaust installations:**

Exhaust can be converted out the right side, left side, or through the bottom (4-way vent kit). Each kit includes step-by-step instructions. For ordering information, see "Venting Kits."

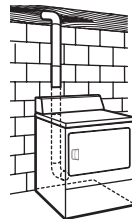
**⚠ WARNING**

**Fire Hazard**

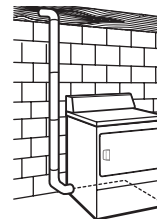
**Cover unused exhaust holes with a manufacturer's exhaust cover kit.**

**Contact your local dealer.**

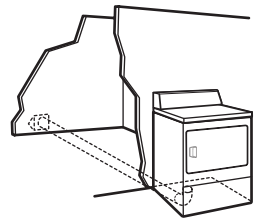
**Failure to follow these instructions can result in death, fire, electrical shock, or serious injury.**



A



B

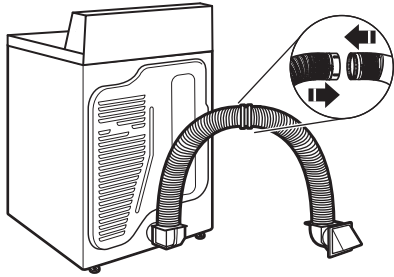


C

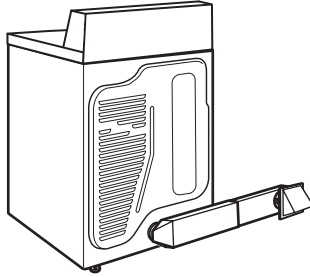
- A. Standard rear offset exhaust installation
- B. Left or right side exhaust installation
- C. Bottom exhaust installation

### Alternate installations for close clearances

Venting systems come in many varieties. Select the best type for your installation. Two close-clearance installations are shown. Refer to the manufacturer's instructions.



Over-The-Top installation (also available with one offset elbow)



Periscope installation

**NOTE:** The following kits for close clearance alternate installations are available for purchase.

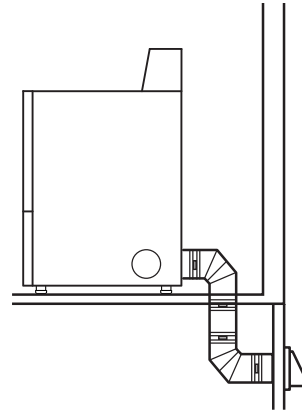
### Venting Kits

For more information, call **1-800-344-1274** in the U.S. (**1-800-688-2002** in Canada) or visit us at [www.maytagreplacementparts.com](http://www.maytagreplacementparts.com).

Part Number	Descriptions
8171587RP	0"-5" Metal vent periscope
4396037RP	0"-18" Metal vent periscope
4396011RP	18"-29" Metal vent periscope
4396014	29"-50" Metal vent periscope
4392892	In-wall metal DuraVent™ periscope
W10186596	4-way vent kit – universal grey
4396028	Sure Connect™ venting kit (over-the-top installation)
4396009RP	5' Universal connect vent, flexible dryer venting
4396010RP	6' SecureConnect™ vent, flexible dryer venting
4396013RB	Dryer vent installer's kit
4396033RP	5' flexible dryer venting with clamps
4396727RP	8' flexible dryer venting with clamps
4396004	Dryer offset elbow
4396005	Wall offset elbow
4396006RW	DuraSafe™ close elbow
4396007RW	Through-the-wall vent cap
4396008RP	4" steel dryer venting clamps – 2 pack
8212662	Flush mounting louvered vent hood, 4"

### Special provisions for mobile home installations:

The exhaust vent must be securely fastened to a noncombustible portion of the mobile home structure and must not terminate beneath the mobile home. Terminate the exhaust vent outside.



### Determine vent path:

- Select route that will provide straightest and most direct path outdoors.
- Plan installation to use fewest number of elbows and turns.
- When using elbows or making turns, allow as much room as possible.
- Bend vent gradually to avoid kinking.
- Use as few 90° turns as possible.

### Determine vent length and elbows needed for best drying performance:

- Use following Vent System Chart to determine type of vent material and hood combinations acceptable to use.

**NOTE:** Do not use vent runs longer than those specified in Vent System Chart. Exhaust systems longer than those specified will:

- Shorten life of dryer.
- Reduce performance, resulting in longer drying times and increased energy usage.

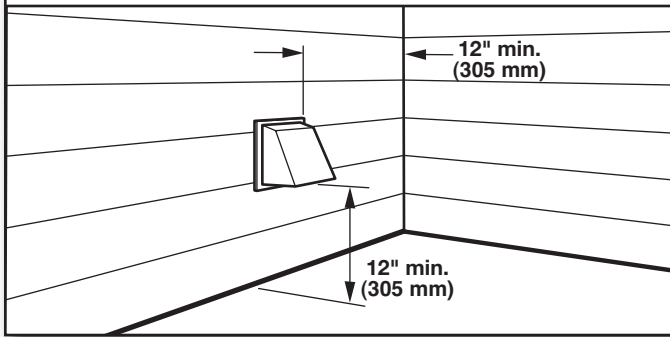
The Vent System Chart provides venting requirements that will help achieve best drying performance.

Vent System Chart			
Number of 90° turns or elbows	Type of vent	Box/louvered hoods	Angled hoods
0	Rigid metal	64 ft. (20 m)	58 ft. (17.7 m)
1	Rigid metal	54 ft. (16.5 m)	48 ft. (14.6 m)
2	Rigid metal	44 ft. (13.4 m)	38 ft. (11.6 m)
3	Rigid metal	35 ft. (10.7 m)	29 ft. (8.8 m)
4	Rigid metal	27 ft. (8.2 m)	21 ft. (6.4 m)

**NOTE:** Side and bottom exhaust installations have a 90° turn inside the dryer. To determine maximum exhaust length, add one 90° turn to the chart.

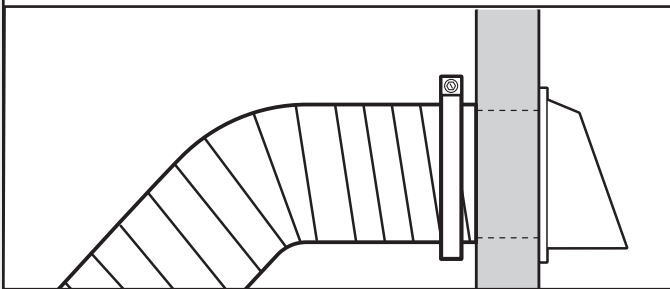
## Install Vent System

### 1. Install exhaust hood



Install exhaust hood and use caulking compound to seal exterior wall opening around exhaust hood.

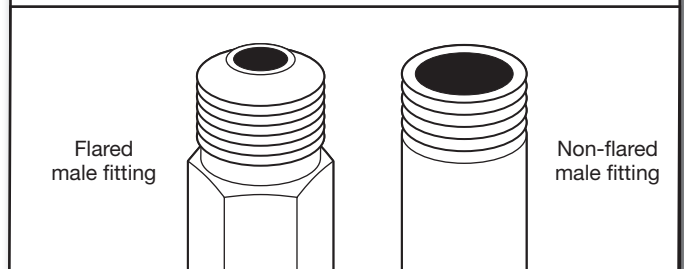
### 2. Connect vent to exhaust hood



Vent must fit over the exhaust hood. Secure vent to exhaust hood with 4" (102 mm) clamp. Run vent to dryer location using straightest path possible. Avoid 90° turns. Use clamps to seal all joints. Do not use duct tape, screws, or other fastening devices that extend into interior of vent to secure vent, because they can catch lint.

## Make Gas Connection

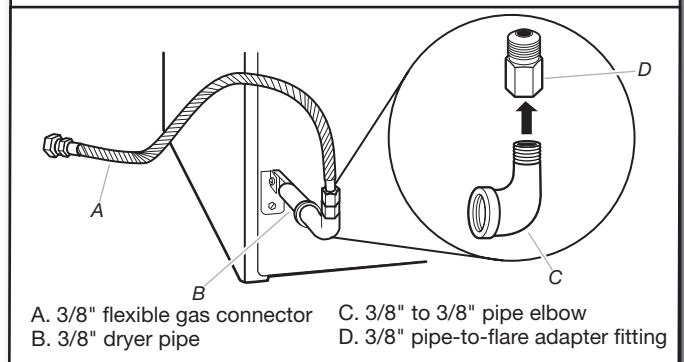
### 1. Connect gas supply to dryer



Remove red cap from gas pipe. Using a wrench to tighten, connect gas supply to dryer. Use pipe-joint compound on threads of all non-flared male fittings. If flexible metal tubing is used, be sure there are no kinks.

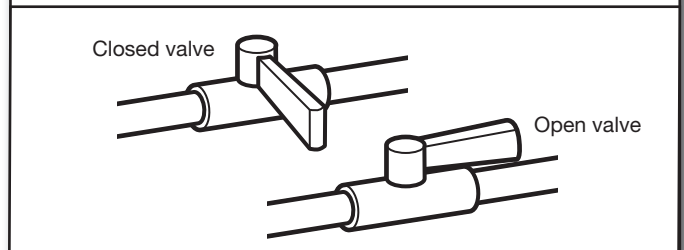
**NOTE:** For propane gas connections, you must use pipe-joint compound resistant to action of propane gas. Do not use TEFLON<sup>®</sup> tape.

### 2. Plan pipe fitting connection



A combination of pipe fittings must be used to connect dryer to existing gas line. A recommended connection is shown. Your connection may be different, according to supply line type, size, and location.

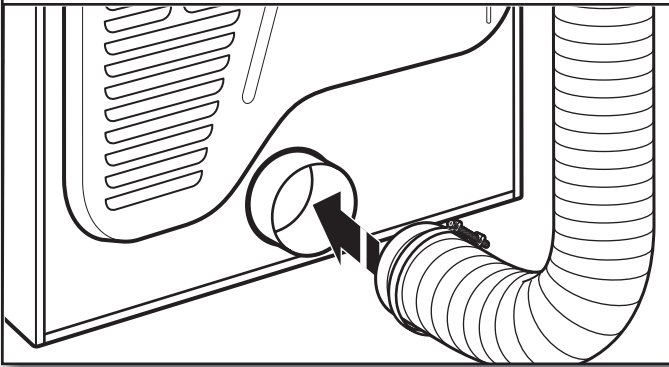
### 3. Open shut-off valve



Open shut-off valve in supply line; valve is open when handle is parallel to gas pipe. Then, test all connections by brushing on an approved noncorrosive leak-detection solution. Bubbles will show a leak. Correct any leaks found.

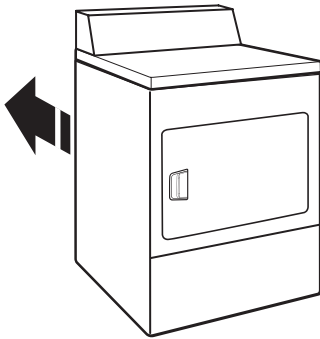
## Connect Vent

### 1. Connect vent to exhaust outlet



Using a 4" (102 mm) clamp, connect vent to exhaust outlet in dryer. If connecting to existing vent, make sure vent is clean. Dryer vent must fit over dryer exhaust outlet and inside exhaust hood. Check that vent is secured to exhaust hood with a 4" (102 mm) clamp.

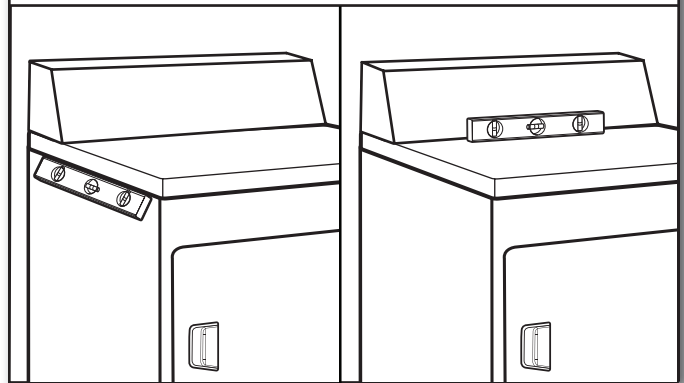
### 2. Move dryer to final location



Move dryer to final location. Avoid crushing or kinking vent. After dryer is in place, remove corner posts and cardboard from under the dryer.

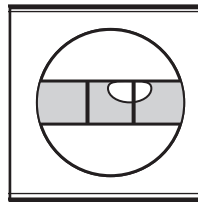
## LEVEL DRYER

### 1. Level dryer

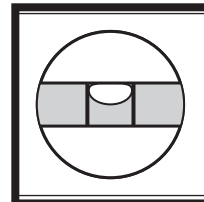


Check levelness of dryer from side to side. Repeat from front to back.

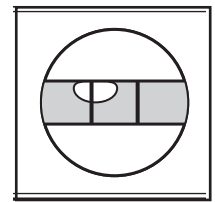
**NOTE:** The dryer must be level for the moisture sensing system to operate correctly.



Not Level

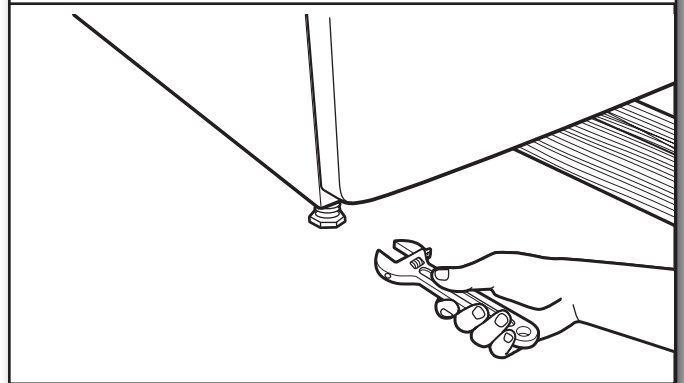


LEVEL



Not Level

### 2. Tighten and adjust leveling legs



If dryer is not level or the same height as the washer, prop up using a wood block. Use wrench to adjust legs up or down, and check again for levelness. Once dryer is level, make sure all four legs are snug against the floor before tightening them.



## COMPLETE INSTALLATION CHECKLIST

- Check that all parts are now installed. If there is an extra part, go back through steps to see what was skipped.
- Check that you have all of your tools.
- Dispose of/recycle all packaging materials.
- Check dryer's final location. Be sure vent is not crushed or kinked.
- Check that dryer is level. See "Level Dryer."
- Remove film on console and any tape remaining on dryer.
- Wipe dryer drum interior thoroughly with a damp cloth to remove any dust.
- Read "Dryer Use" in your Use and Care Guide.
- Set the dryer on a full heat cycle (not an air cycle) for 20 minutes and start the dryer.

### If the dryer will not start, check the following:

- Gas dryer is plugged into a grounded 3-prong outlet. Electric dryer is plugged into a grounded 4-prong outlet.
  - Electrical supply is connected.
  - Household fuse is intact and tight, or circuit breaker has not tripped.
  - Dryer door is closed.
- When the dryer has been running for 5 minutes, open the dryer door and feel for heat. If you feel heat, cancel cycle and close the door.

### If you do not feel heat, turn the dryer off and check the following:

#### Gas Dryers:

- If the gas supply line shut-off valve is closed, open it, then repeat the 5-minute test as outlined above.
- If the gas supply line shut-off valve is open, contact a qualified technician.

#### Electric Dryers:

- There may be two household fuses or circuit breakers for the dryer. Check that both fuses are intact and tight, or that both circuit breakers have not tripped. If there is still no heat, contact a qualified technician.

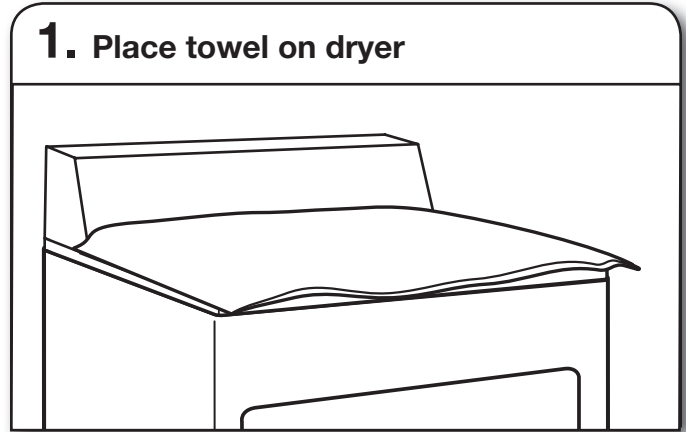
**NOTE:** You may notice an odor when the dryer is first heated. This odor is common when the heating element is first used. The odor will go away.

## REVERSE DOOR SWING (OPTIONAL)

**NOTE:** Magnetized screwdriver is helpful.

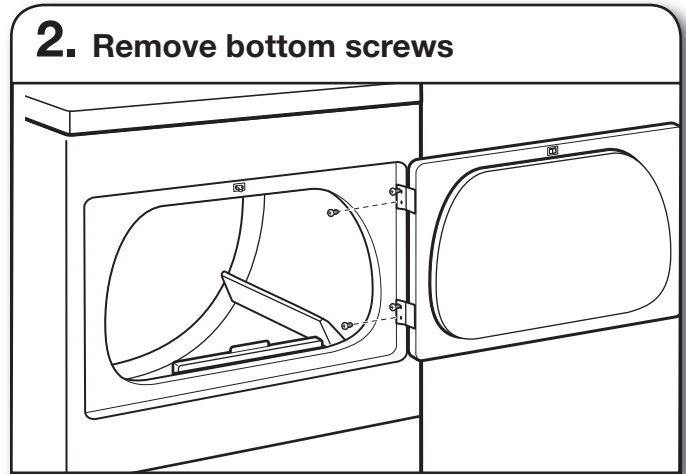
### 27" Wide Model Side-Swing Door

#### 1. Place towel on dryer



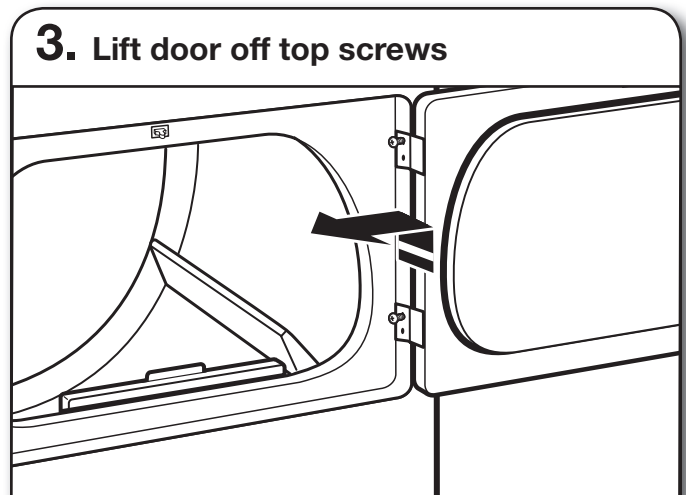
Place towel on top of dryer to avoid damaging the surface.

#### 2. Remove bottom screws



Open dryer door. Remove bottom screws from dryer cabinet side of hinges. Loosen (do not remove) top screws from dryer cabinet side of hinges.

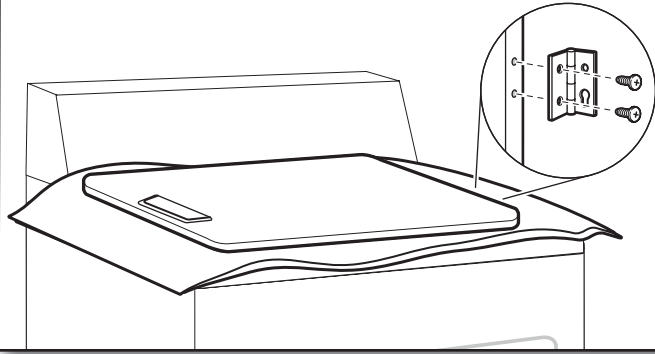
#### 3. Lift door off top screws



Lift door until top screws in dryer cabinet are in large part of hinge slot. Pull door forward off screws. Set door (handle side up) on top of dryer. Remove top screws from dryer cabinet.

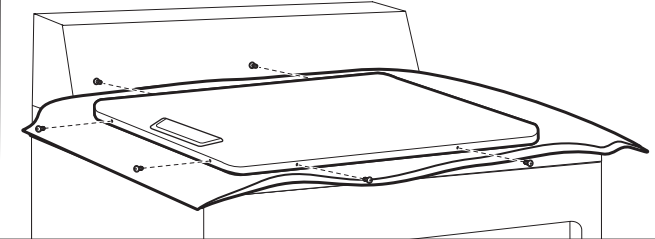


#### 4. Remove screws from hinges



Remove screws attaching hinges to door.

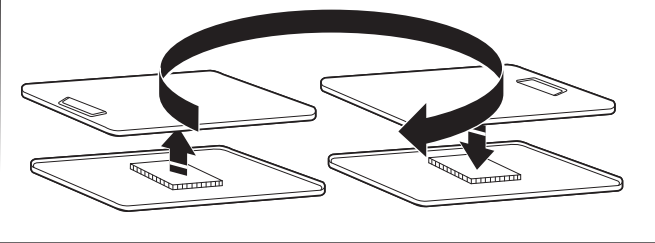
#### 5. Remove screws from door



Remove screws at top, bottom, and side of door (six screws). Keep door screws separate from hinge screws as they are different sizes. Holding door over towel on dryer, grasp sides of outer door and lift to separate it from inner door.

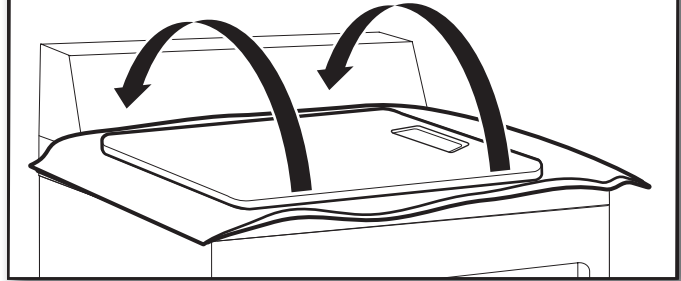
**NOTE:** Do not pry apart with putty knife or screwdriver. Do not pull on door seal or plastic door catches.

#### 6. Rotate outer door



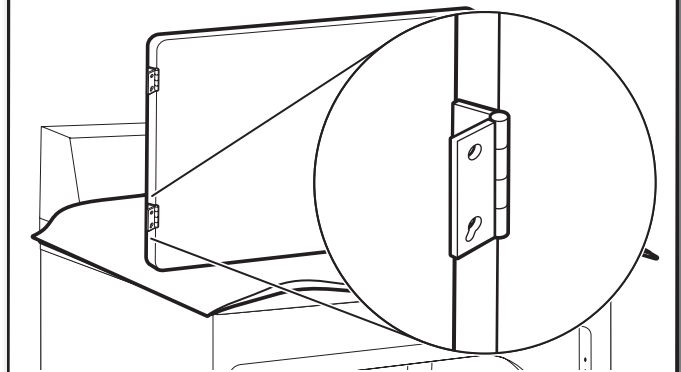
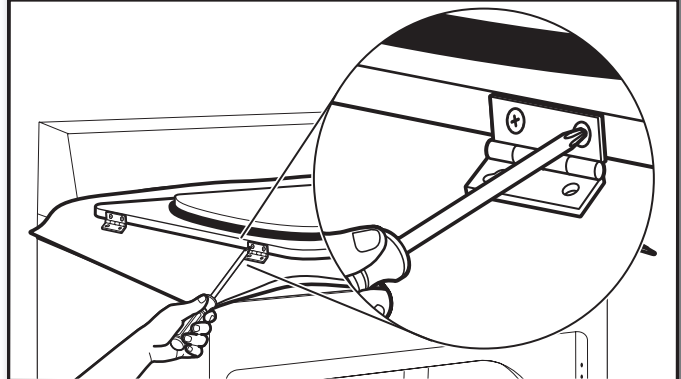
Rotate outer door 180° and set it back down on inner door. Be certain to keep cardboard spacer centered between doors. Reattach outer door panel to inner door panel so handle is on the side where hinges were just removed. Insert six door screws.

#### 7. Flip door over



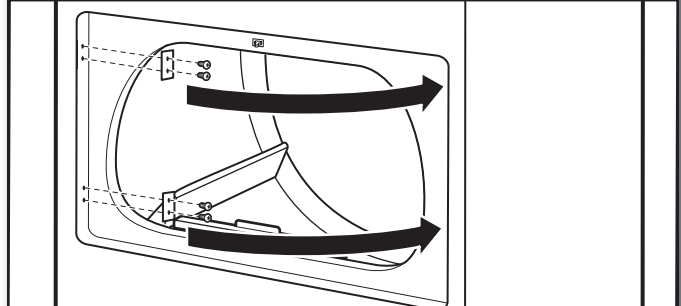
Flip door over so handle side is down.

#### 8. Attach door hinges



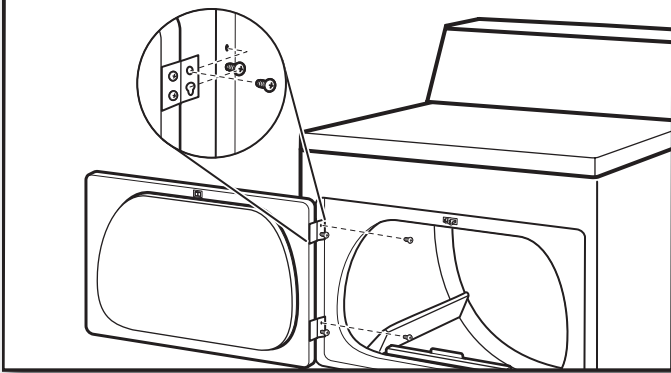
Reattach door hinges to dryer door so that the larger hole is at the bottom of the hinge.

#### 9. Remove and transfer plugs



Remove the four screws that attach two plugs on the left side. Transfer plugs to opposite side using the same four screws.

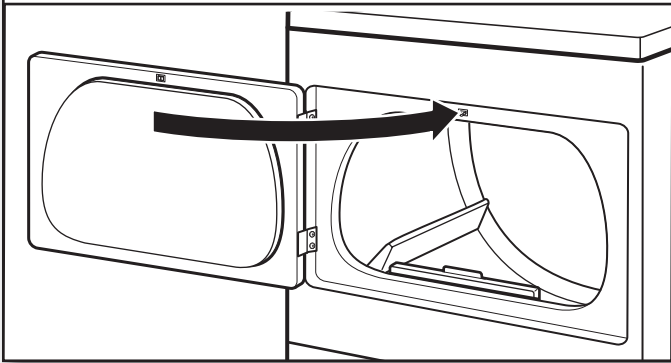
## 10. Insert screws in hinge holes on dryer cabinet



**NOTE:** Two people may be needed to reinstall door.

Insert screws into the bottom holes on left side of dryer cabinet. Tighten screws halfway. Position door so large end of door hinge slot is over screws. Slide door up so screws are in bottom of slots. Tighten screws. Insert and tighten top screws in hinges.

## 11. Check door strike alignment



Close door and check that door strike aligns with door catch. If it is needed, slide door catch left or right within slot to adjust alignment.

## TROUBLESHOOTING

See the Use and Care Guide or visit our website and reference "Frequently Asked Questions" to possibly avoid the cost of a service call.

# SÉCURITÉ DE LA SÈCHEUSE

## Votre sécurité et celle des autres est très importante.

Nous donnons de nombreux messages de sécurité importants dans ce manuel et sur votre appareil ménager. Assurez-vous de toujours lire tous les messages de sécurité et de vous y conformer.



Voici le symbole d'alerte de sécurité.

Ce symbole d'alerte de sécurité vous signale les dangers potentiels de décès et de blessures graves à vous et à d'autres.

Tous les messages de sécurité suivront le symbole d'alerte de sécurité et le mot "DANGER" ou "AVERTISSEMENT". Ces mots signifient :

 **DANGER**

Risque possible de décès ou de blessure grave si vous ne suivez pas immédiatement les instructions.

 **AVERTISSEMENT**

Risque possible de décès ou de blessure grave si vous ne suivez pas les instructions.

Tous les messages de sécurité vous diront quel est le danger potentiel et vous disent comment réduire le risque de blessure et ce qui peut se produire en cas de non-respect des instructions.



## **AVERTISSEMENT - "Risque d'incendie"**

- L'installation de la sècheuse à linge doit être effectuée par un installateur qualifié.
- Installer la sècheuse conformément aux instructions du fabricant et aux codes locaux.
- Ne pas installer de sècheuse à linge avec des matériaux d'évacuation en plastique souple ou un conduit métallique souple (de type papier d'aluminium). Si un conduit métallique souple est installé, celui-ci doit être d'un type spécifique identifié par le fabricant de l'appareil et convenir à une utilisation avec les sècheuses à linge. Les matériaux d'évacuation souples sont connus pour s'affaisser, être facilement écrasés et bloquer la charpie. Ces situations obstrueront le débit d'air de la sècheuse à linge et augmenteront le risque d'incendie.
- Pour réduire le risque de blessure grave ou de décès, suivre toutes les instructions d'installation.
- Conserver ces instructions.

### **AVERTISSEMENT**

#### **Risque d'incendie**

Le non-respect de cet avertissement peut causer des blessures graves, des dommages à la propriété ou le décès.

**Ne pas installer de ventilateur d'appoint dans le conduit d'évacuation.**

**Installer toutes les sècheuses en respectant les instructions d'installation du fabricant de la sècheuse.**

**IMPORTANT :** L'installation du gaz doit se conformer aux codes locaux, ou en l'absence de codes locaux, au code d'installation du gaz naturel ou du propane, CSA B149.1.

La sècheuse doit être électriquement reliée à la terre conformément aux codes locaux, ou en l'absence de codes locaux, au Code canadien de l'électricité, partie 1, CSA C22.1.

Dans l'État du Massachusetts, les instructions d'installation suivantes sont applicables :

- Les travaux d'installation et réparation doivent être exécutés par un plombier ou tuyauteur qualifié ou licencié, ou par le personnel qualifié d'une entreprise licenciée par l'État du Massachusetts.
- Remplacer par des dispositifs de fermeture acceptables : Les robinets de gaz et robinets à bille installés pour l'utilisation devraient être indiqués.
- Si un conduit de raccordement flexible est utilisé, sa longueur ne doit pas dépasser 4 pi (121,9 cm).

## **AVERTISSEMENT :**

### **RISQUE D'INCENDIE OU D'EXPLOSION**

**Le non-respect des avertissements de sécurité peut causer des dommages à la propriété, des blessures graves, voire la mort.**

**– Ne pas entreposer ou utiliser de l'essence ou d'autres vapeurs ou liquides inflammables à proximité de cet appareil ou de tout autre appareil électroménager.**

**– QUE FAIRE DANS LE CAS D'UNE ODEUR DE GAZ :**

- **Ne pas tenter d'allumer un appareil.**
- **Ne pas toucher à un commutateur électrique; ne pas utiliser le téléphone se trouvant sur les lieux.**
- **Évacuer tous les gens de la pièce, de l'édifice ou du quartier.**
- **Appeler immédiatement le fournisseur de gaz d'un téléphone voisin. Suivre ses instructions.**
- **À défaut de joindre votre fournisseur de gaz, appeler les pompiers.**

**– L'installation et l'entretien doivent être effectués par un installateur qualifié, une agence de service ou le fournisseur de gaz.**

**AVERTISSEMENT :** L'odorat ne permet pas toujours la détection d'une fuite de gaz.

Les distributeurs de gaz recommandent l'emploi d'un détecteur de gaz (homologation UL ou CSA).

Pour d'autre information, contacter le fournisseur de gaz local.

En cas de détection d'une fuite de gaz, exécuter les instructions "Que faire dans le cas d'une odeur de gaz".

Avertissements de la proposition 65 de l'État de Californie :

**AVERTISSEMENT :** Ce produit contient au moins un produit chimique connu par l'État de Californie pour être à l'origine de cancers.

**AVERTISSEMENT :** Ce produit contient au moins un produit chimique connu par l'État de Californie pour être à l'origine de malformations et autres déficiences de naissance.

## **IMPORTANTES INSTRUCTIONS DE SÉCURITÉ**

Avant de jeter ou de ranger votre vieille sècheuse, enlever la porte.

**CONSERVEZ CES INSTRUCTIONS**

## IMPORTANTES INSTRUCTIONS DE SÉCURITÉ

**AVERTISSEMENT :** Pour réduire le risque d'incendie, de choc électrique ou de blessure lors de l'utilisation de la sècheuse, il convient d'observer certaines précautions élémentaires dont les suivantes :

- Lire toutes les instructions avant d'utiliser la sècheuse.
- Ne pas placer des articles exposés aux huiles de cuisson dans votre sècheuse. Les articles contaminés par des huiles de cuisson peuvent contribuer à une réaction chimique qui pourrait causer à la charge de s'enflammer.
- Ne pas faire sécher dans la machine des articles qui ont déjà été nettoyés, lavés, imbibés, ou tachés d'essence, de solvants pour nettoyage à sec, d'autres substances inflammables, ou de substances explosives puisqu'elles dégagent des vapeurs qui peuvent provoquer un incendie ou une explosion.
- Ne pas permettre à des enfants de jouer sur ou à l'intérieur de la sècheuse. Une surveillance étroite est nécessaire lorsque la sècheuse est utilisée près d'eux.
- Avant d'enlever la sècheuse du service ou la jeter, enlever la porte du compartiment de séchage.
- Ne pas mettre la main dans la sècheuse si le tambour est en mouvement.
- Ne pas installer ni entreposer la sècheuse où elle sera exposée aux intempéries.
- Ne pas jouer avec les commandes.
- Ne pas réparer ni remplacer une pièce de la sècheuse ou essayer d'en faire l'entretien à moins d'une recommandation spécifique dans le guide d'utilisation et d'entretien, ou publiée dans les instructions de réparation par l'utilisateur que vous comprenez et pouvez exécuter avec compétence.
- Ne pas utiliser un produit assouplissant de tissu ou des produits pour éliminer la statique à moins qu'ils ne soient recommandés par le fabricant du produit assouplissant de tissu ou du produit.
- Ne pas utiliser la chaleur pour faire sécher des articles fabriqués avec du caoutchouc mousse ou des matériaux semblables.
- Nettoyer le filtre à charpie avant et après chaque charge.
- Ne pas laisser la charpie, la poussière, ou la saleté s'accumuler autour du système d'évacuation ou autour de l'appareil.
- Un nettoyage périodique de l'intérieur de la sècheuse et du conduit d'évacuation doit être effectué par une personne qualifiée.
- Pour les instructions de liaison à la terre, voir "Spécifications électriques" dans les instructions d'installation.

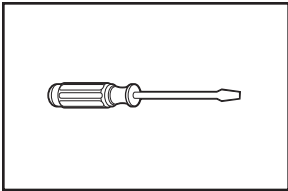
**CONSERVEZ CES INSTRUCTIONS**

# EXIGENCES D'INSTALLATION

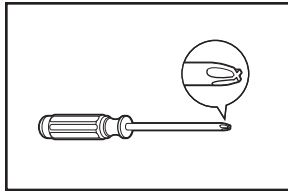
## Outillage et pièces

Rassembler les outils et composants nécessaires avant d'entreprendre l'installation.

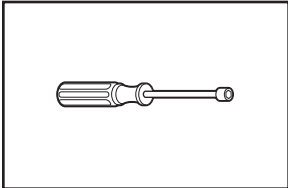
### Outils nécessaires pour toutes les installations :



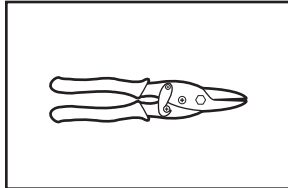
Tournevis à lame plate



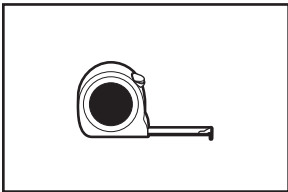
Tournevis Phillips n° 2



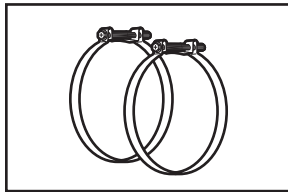
Tourne-écrou de 1/4" (6 mm) (recommandé)



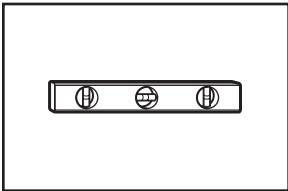
Cisaille de ferblantier (pour l'installation d'un nouveau conduit)



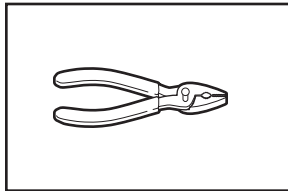
Mètre-ruban



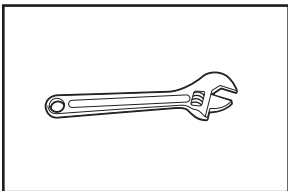
Brides de serrage pour conduit d'évacuation



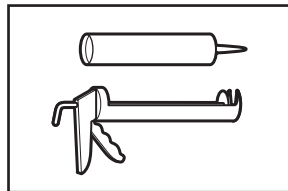
Niveau



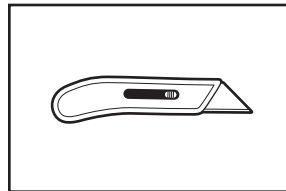
Pince



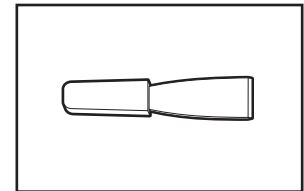
Clé à molette avec ouverture jusqu'à 1" (25 mm) ou clé à douille à tête hexagonale



Pistolet à calfeutrage et composé de calfeutrage (pour l'installation d'un nouveau conduit d'évacuation)

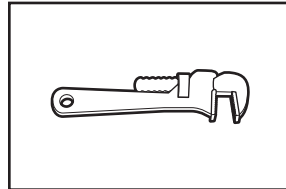


Couteau utilitaire

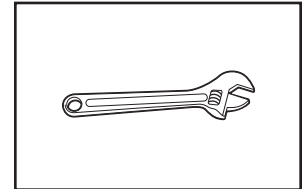


Couteau à mastic

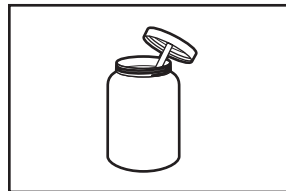
### Outils nécessaires aux installations au gaz :



Clé à tuyau de 8" (203 mm) ou 10" (254 mm)

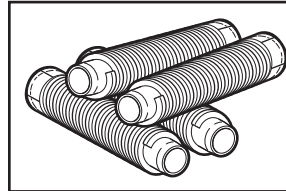


Clé à molette de 8" (203 mm) ou 10" (254 mm) (pour le raccordement au gaz)



Composé d'étanchéité des raccords filetés – résistant au gaz propane

### Pièces fournies



Pieds de nivellement (4)

Le sachet de pièces se trouve dans le tambour de la sècheuse. Vérifier que toutes les pièces sont présentes.

### Pièces nécessaires :

Consulter les codes locaux. Vérifier l'alimentation électrique et le circuit d'évacuation existants. Voir "Spécifications électriques" et "Exigences concernant l'évacuation" avant d'acheter les pièces.


Vérifier les exigences des codes. Certains codes limitent ou n'autorisent pas l'installation des sècheuses dans un garage, un placard, une maison mobile ou une chambre à coucher. Contacter l'inspecteur en bâtiment local.

### Équipement facultatif (Non fourni avec la sècheuse) :

Se référer au Guide d'utilisation et d'entretien pour des renseignements sur les accessoires disponibles pour la sècheuse.

# EXIGENCES D'EMPLACEMENT

⚠ AVERTISSEMENT



Risque d'explosion

**Garder les matières et les vapeurs inflammables, telle que l'essence, loin de la sècheuse.**

**Placer la sècheuse au moins 460 mm (18 po) au-dessus du plancher pour une installation dans un garage.**

**Le non-respect de ces instructions peut causer un décès, une explosion ou un incendie.**

## Il vous faudra :

- Un emplacement permettant une évacuation appropriée. Voir "Exigences concernant l'évacuation."
- Un circuit distinct de 30 ampères pour les sècheuses électriques.
- Un circuit distinct de 15 ou 20 ampères pour les sècheuses à gaz.
- Si on utilise un cordon d'alimentation, une prise électrique avec liaison à la terre située à moins de 2 pi (610 mm) de l'un des côtés de la sècheuse. Voir "Spécifications électriques."
- Un plancher robuste capable de supporter le poids de la sècheuse (sècheuse et charge) de 200 lb. (90,7 kg). Il faut aussi prendre en compte le poids combiné d'un appareil ménager voisin.
- Un plancher de niveau ayant une pente maximale de 1" (25 mm) sous l'ensemble de la sècheuse. Si la pente est supérieure à 1" (25 mm), installer un ensemble de pieds d'extension pour sècheuse, pièce n° 279810. Si la sècheuse n'est pas d'aplomb, le linge peut ne pas culbutter convenablement, et les programmes automatiques de détection peuvent ne pas fonctionner correctement.

Ne pas faire fonctionner la sècheuse à une température inférieure à 45 °F (7 °C). À des températures inférieures, la sècheuse risque de ne plus s'arrêter à la fin d'un programme automatique. Les temps de séchage risquent alors d'augmenter.

La sècheuse ne doit pas être installée ou remise dans un endroit où elle sera exposée à l'eau et/ou aux intempéries.

Vérifier les règlements locaux. Certains codes limitent ou n'autorisent pas l'installation des sècheuses dans un garage, un placard, une maison mobile ou une chambre à coucher. Communiquer avec l'inspecteur des bâtiments local.

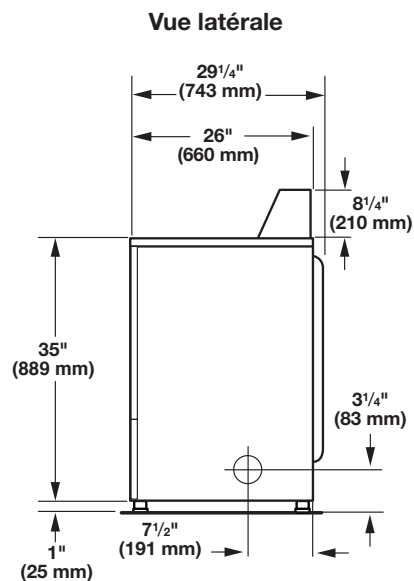
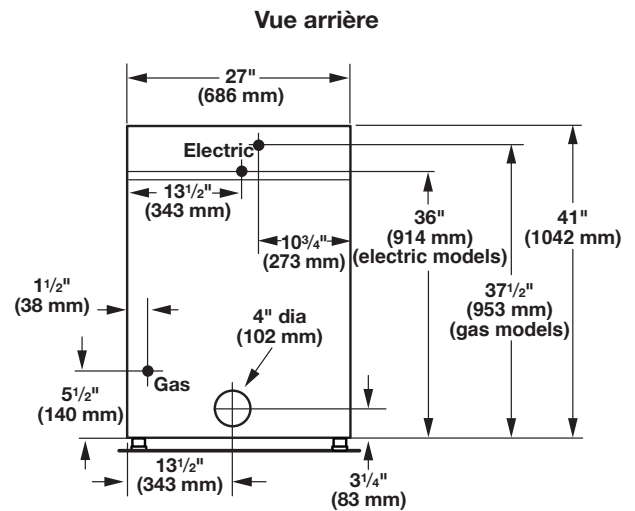
**REMARQUE :** Aucun autre appareil consommant un combustible ne doit être installé dans le même placard que la sècheuse.

## Espacements d'installation :

L'emplacement doit être assez grand pour permettre d'ouvrir complètement la porte de la sècheuse.

La plupart des installations requièrent un espace minimum de 5½" (140 mm) derrière la sècheuse pour le conduit d'évacuation avec coude. Voir "Exigences concernant l'évacuation."

## Dimensions de la sècheuse



La plupart des installations requièrent un espace minimum de 5½" (140 mm) derrière la sècheuse pour le conduit d'évacuation avec coude. Voir "Exigences concernant l'évacuation."

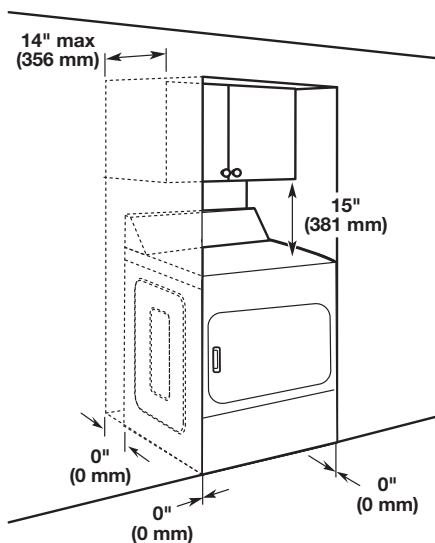
## Espacement pour une installation dans un encastrement ou dans un placard

Les dimensions correspondent à l'espacement minimum permis.

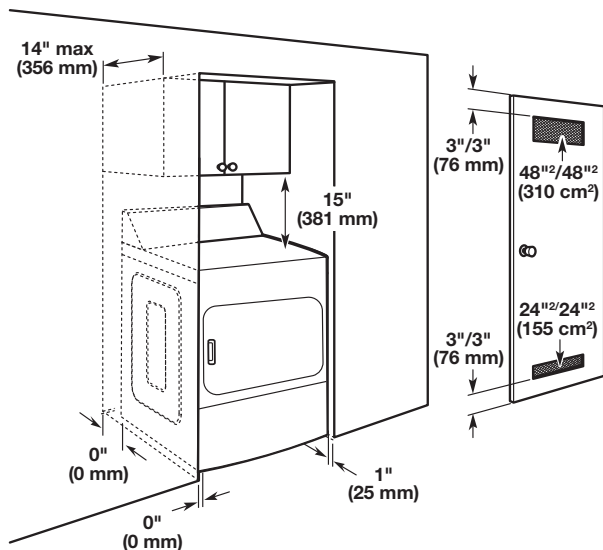
- Prévoir davantage d'espace pour faciliter l'installation et l'entretien.
- Un espace supplémentaire peut être requis pour les moulures de porte et de plancher et pour les plinthes.
- Un espace supplémentaire de 1" (25 mm) doit être envisagé de tous les côtés de la sécheuse afin de réduire le transfert de bruit.
- Pour une installation dans un placard avec porte, on doit prévoir des ouvertures minimums d'entrée d'air en haut et en bas de la porte. Les portes à claire-voie offrant des ouvertures équivalentes de passage de l'air sont acceptables.
- Il faut aussi prendre en compte l'espace requis entre les appareils voisins.

## Espacement minimal requis

### Installation dans un encastrement



### Installation dans un placard



Un espace supplémentaire est recommandé

## Installation dans une maison mobile – exigences supplémentaires

Cette sécheuse peut être installée dans une maison mobile. L'installation doit satisfaire aux critères du Manufactured Home Construction and Safety Standard, Titre 24 CFR, Partie 3280 (anciennement Federal Standard for Mobile Home Construction and Safety, Titre 24, HUD Partie 280) ou du Canadian Manufactured Home Standard CAN/CSA-Z240 MH.

- Un matériel d'évacuation métallique, disponible à l'achat. Pour plus d'informations, consulter la section "Assistance ou service" dans le Guide d'utilisation et d'entretien.
- Il faut prendre des dispositions spéciales dans les maisons mobiles pour l'apport d'air de l'extérieur dans la sécheuse. L'ouverture (telle qu'une fenêtre à proximité) devrait être au moins deux fois plus grande que l'ouverture de décharge de la sécheuse.



# RACCORDEMENT À L'ALIMENTATION ÉLECTRIQUE DE LA SÉCHEUSE ÉLECTRIQUE – CANADA SEULEMENT

## Spécifications électriques

### **AVERTISSEMENT**



#### Risque de choc électrique

**Brancher sur une prise à 4 alvéoles reliée à la terre.**

**Le non-respect de cette instruction peut causer un décès ou un choc électrique.**

#### C'est à l'utilisateur qu'incombe la responsabilité de :

- Contacter un électricien qualifié.
- S'assurer que le raccordement électrique est adéquat et conforme au Code canadien de l'électricité, C22.1 – dernière édition, et à tous les codes locaux en vigueur. Pour obtenir un exemplaire des normes des codes ci-dessus, contacter : Canadian Standards Association, 178 Rexdale Blvd., Toronto, ON M9W 1R3 CANADA.
- L'appareil doit être alimenté uniquement par un circuit monophasé de 120/240 V CA seulement, 60 Hz à 4 fils, sur un circuit séparé de 30 ampères, fusionné aux deux extrémités de la ligne. On recommande d'utiliser un fusible ou un disjoncteur temporisé. On recommande également que cet appareil soit alimenté par un circuit indépendant.
- Cette sècheuse est équipée d'un cordon d'alimentation homologué UL et/ou par la CSA International à introduire dans une prise murale standard 14-30R. Le cordon mesure 5 pi (1,52 m). Veiller à ce que la prise murale se trouve à proximité de l'emplacement définitif de la sècheuse.



Prise murale à 4 fils (14-30R)

- Ne pas utiliser de câble de rallonge.

En cas d'utilisation d'un cordon d'alimentation de rechange, il est conseillé d'utiliser le cordon d'alimentation de rechange – pièce numéro 8579325. Pour plus d'information, consulter la section "Assistance ou service" dans le Guide d'utilisation et d'entretien.

### **INSTRUCTIONS DE LIAISON À LA TERRE**

- Pour une sècheuse reliée à la terre et connectée par un cordon :

Cette sècheuse doit être reliée à la terre. En cas de mauvais fonctionnement ou de panne, la liaison à la terre réduira le risque de choc électrique en offrant au courant électrique un acheminement d'évacuation de moindre résistance. Cette sècheuse est alimentée par un cordon électrique comportant un conducteur relié à la terre et une fiche de branchement munie d'une broche de liaison à la terre. La fiche doit être branchée sur une prise appropriée qui est bien installée et reliée à la terre conformément à tous les codes et règlements locaux.

**AVERTISSEMENT :** Le raccordement incorrect de cet appareil au conducteur de liaison à la terre peut susciter un risque de choc électrique. En cas de doute quant à la qualité de liaison à la terre de la sècheuse, consulter un électricien ou un technicien ou un personnel qualifié. Ne pas modifier la fiche de branchement fournie avec la sècheuse; si la fiche ne correspond pas à la configuration de la prise de courant, demander à un électricien qualifié d'installer une prise de courant appropriée.

### **CONSERVEZ CES INSTRUCTIONS**

# INSTALLATION DES PIEDS DE NIVELLEMENT

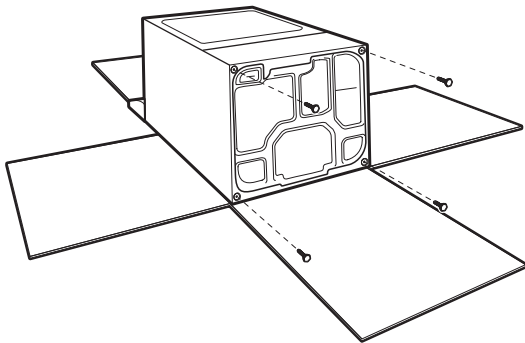
## ⚠ AVERTISSEMENT

Risque du poids excessif

Utiliser deux ou plus de personnes pour déplacer et installer la sècheuse.

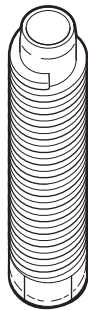
Le non-respect de cette instruction peut causer une blessure au dos ou d'autre blessure.

### 1. Préparer la sècheuse pour les pieds de nivellement



Pour ne pas endommager le plancher, utiliser un grand morceau de carton découpé dans l'emballage de la sècheuse; le placer sous tout le bord arrière de la sècheuse. Saisir fermement la sècheuse par la caisse (non par le panneau de commande) et incliner soigneusement la sècheuse sur le carton.

### 2. Visser dans les pieds de nivellement

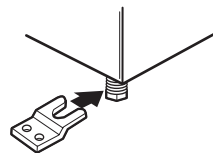


À l'aide d'une clé et d'un mètre-ruban, visser les pieds dans les trous pour pieds de nivellement jusqu'à ce que le bas de chaque pied se trouve à environ 1 1/2" (38 mm) du bas de la sècheuse.

À présent, redresser la sècheuse et la placer sur ses pieds. Faire glisser la sècheuse jusqu'à ce qu'elle se trouve à proximité de son emplacement final. Laisser suffisamment d'espace pour le branchement électrique et pour connecter le conduit d'évacuation.

## Pour utilisation en maison mobile

Les sècheuses à gaz doivent être solidement fixées au plancher.



Les installations en maison mobile nécessitent un ensemble d'ancrage au sol pour installation en maison mobile. Pour le processus de commande, consulter le Guide d'utilisation et d'entretien.

## RACCORDEMENT D'UNE SÈCHEUSE À GAZ

### Spécifications de l'alimentation en gaz

## ⚠ AVERTISSEMENT



Risque d'explosion

Utiliser une canalisation neuve d'arrivée de gaz approuvée par CSA International.

Installer un robinet d'arrêt.

Bien serrer chaque organe de connexion de la canalisation de gaz.

En cas de connexion au gaz propane, demander à une personne qualifiée de s'assurer que la pression de gaz ne dépasse pas 330 mm (13 po) de la colonne d'eau.

Par personne qualifiée, on comprend :

le personnel autorisé de chauffage,  
le personnel autorisé d'une compagnie de gaz, et  
le personnel d'entretien autorisé.

Le non-respect de ces instructions peut causer un décès, un explosion ou un incendie.

## TYPE DE GAZ

### Gaz naturel :

Cette sècheuse est équipée pour une alimentation au gaz naturel. Elle est homologuée par UL pour l'alimentation au gaz propane, avec conversion appropriée.

- Cette sècheuse doit être équipée du brûleur convenable, correspondant au gaz spécifique qui alimente l'habitation. L'information sur le brûleur se trouve sur la plaque signalétique dans le logement de la porte de la sècheuse. Si ces renseignements ne correspondent pas au type de gaz disponible, composer les numéros de téléphone indiqués dans la section "Assistance ou service" du Guide d'utilisation et d'entretien.

## Conversion pour l'alimentation au propane :

**IMPORTANT :** Un technicien qualifié doit effectuer la conversion.

Ne pas entreprendre de convertir la sècheuse pour l'utilisation d'un gaz différent de celui indiqué sur la plaque signalétique sans d'abord consulter la compagnie de gaz.

**IMPORTANT :** L'installation au gaz doit être conforme aux codes locaux, ou en l'absence de codes locaux, au Code National d'alimentation au gaz, à la norme ANSI Z223.1/NFPA 54 ou au Code canadien des installations au gaz naturel et au propane, CSA-B149.1.

## CANALISATION DE GAZ

- Un tuyau IPS de 1/2" est recommandé.
- Pour les longueurs inférieures à 20 pi (6,1 m), on peut utiliser des tuyaux approuvés de 3/8" dans la mesure où les codes locaux et le fournisseur de gaz l'autorisent.
- La canalisation doit comprendre un connecteur obturé (filetage NPT de 1/8" ou plus) accessible pour le raccordement de l'instrument de mesure immédiatement en amont de la connexion d'alimentation en gaz de la sècheuse (voir l'illustration).
- La canalisation doit comprendre un robinet d'arrêt.

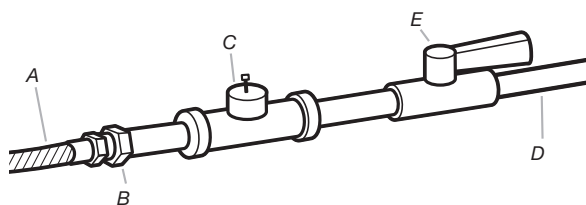
### Aux États-Unis :

Un robinet d'arrêt individuel manuel doit être installé à six (6) pi (1,8 m) maximum de la sècheuse, conformément au Code national d'alimentation au gaz, ANSI Z223.1.

### Au Canada :

Un robinet d'arrêt individuel manuel doit être installé conformément à la norme B149.1 du Code des installations au gaz naturel ou propane. On recommande que le robinet d'arrêt manuel individuel soit installé à 6 pi (1,8 m) maximum de la sècheuse.

Le robinet d'arrêt doit être facilement accessible pour l'ouverture et la fermeture.



- A. Connecteur de gaz flexible de 3/8"
- B. Adaptateur de tuyau au joint conique de 3/8"
- C. Connecteur obturé (filetage NPT de 1/8" ou plus)
- D. Canalisation de gaz (NPT de 1/2")
- E. Robinet d'arrêt du gaz

## EXIGENCES CONCERNANT LE RACCORDEMENT AU GAZ

Cette sècheuse à gaz peut être raccordée au gaz de nombreuses façons différentes. Voir ci-dessous quelques directives pour deux méthodes de raccordement différentes.

Cette sècheuse doit être raccordée à la canalisation d'alimentation en gaz à l'aide d'un connecteur de gaz flexible homologué qui respecte les normes applicables aux connecteurs utilisés avec des appareils ménagers à gaz, ANSI Z21.24 ou CSA 6.10.

### Option 1 (méthode recommandée)

Raccord à gaz en acier inoxydable souple :

- Si les codes locaux le permettent, utiliser un raccord neuf en acier inoxydable souple (conception homologuée par l'American Gas Association ou par CSA International) pour raccorder la sècheuse à la canalisation rigide d'alimentation en gaz. Selon le besoin, utiliser un coude et un adaptateur de 3/8" x tuyau NPT de 3/8" entre le raccord de gaz flexible et la canalisation de gaz de la sècheuse, pour éviter toute déformation.

### Option 2 (méthode alternative)

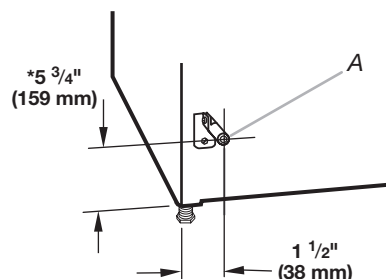
Conduit d'aluminium ou de cuivre approuvé :

- Pour les longueurs supérieures à 20 pi (6,1 m), on peut utiliser des conduits approuvés de 3/8" (si les codes et le fournisseur de gaz le permettent).
- Pour le gaz naturel, ne pas utiliser de conduits en cuivre.
- Adaptateur de 3/8" x tuyau NPT de 3/8" entre le conduit de la sècheuse et le tuyau approuvé de 3/8."
- Pour les longueurs supérieures à 20 pi (6,1 m), on doit utiliser des tuyaux plus gros et un adaptateur de calibre différent.
- Si la sècheuse a été convertie pour une utilisation de gaz propane, on peut utiliser un tuyau en cuivre compatible au propane de 3/8." Si la longueur totale de la canalisation d'alimentation en gaz est supérieure à 20 pi (6,1 m), utiliser un conduit de taille supérieure.

**REMARQUE :** On doit utiliser un composé d'étanchéité des tuyauteries résistant à l'action du gaz propane. Ne pas utiliser de ruban adhésif TEFLON.†

## CANALISATION D'ARRIVÉE DE GAZ DE LA SÈCHEUSE

- La canalisation d'arrivée de gaz sortant à l'arrière de la sècheuse est dotée d'un filetage mâle de 3/8."



A. Conduit NPT de la sècheuse de 3/8"

## CARACTÉRISTIQUES D'ALIMENTATION DU BRÛLEUR

### Altitudes inférieures ou égales à 10 000 pi (3 048 m) :

- La conception de cette sècheuse a été homologuée par CSA International pour une utilisation jusqu'à une altitude de 10 000 pieds (3 048 m) au-dessus du niveau de la mer pour le débit thermique indiqué sur la plaque signalétique. Aucun réglage du brûleur n'est nécessaire lorsque la sècheuse est utilisée à une altitude inférieure à cette valeur maximale.

### Altitudes supérieures à 10 000 pieds (3 048 m) :

- Si la sècheuse doit être utilisée à une altitude supérieure à 10 000 pieds (3 048 m), on doit réduire de 4 % le débit thermique du brûleur indiqué sur la plaque signalétique pour chaque tranche de 1 000 pieds (305 m) d'augmentation de l'altitude.

### Épreuve sous pression de l'alimentation en gaz

- La sècheuse doit être déconnectée du système de canalisations d'alimentation en gaz lors de tout test de pression à des pressions plus élevées que 1/2 lb/po<sup>2</sup>.

†<sup>®</sup>TEFLON est une marque déposée de Chemours.

## Spécifications électriques

### ⚠ AVERTISSEMENT



#### Risque de choc électrique

- Brancher sur une prise à 3 alvéoles reliée à la terre.
- Ne pas enlever la broche de liaison à la terre.
- Ne pas utiliser un adaptateur.
- Ne pas utiliser un câble de rallonge.
- Le non-respect de ces instructions peut causer un décès, un incendie ou un choc électrique.

- L'appareil doit être alimenté par un circuit de 120 V, CA seulement, 60 Hz, 15 ou 20 ampères, protégé par un fusible. On recommande l'emploi d'un fusible ou d'un disjoncteur temporisé. Il est recommandé de raccorder l'appareil sur un circuit distinct exclusif à cet appareil.

### INSTRUCTIONS DE LIAISON À LA TERRE

- Pour une sècheuse reliée à la terre et connectée par un cordon :

Cette sècheuse doit être reliée à la terre. En cas de mauvais fonctionnement ou de panne, la liaison à la terre réduira le risque de choc électrique en offrant au courant électrique un acheminement d'évacuation de moindre résistance. Cette sècheuse est alimentée par un cordon électrique comportant un conducteur relié à la terre et une fiche de branchement munie d'une broche de liaison à la terre. La fiche doit être branchée sur une prise appropriée qui est bien installée et reliée à la terre conformément à tous les codes et règlements locaux.

**AVERTISSEMENT :** Le raccordement incorrect de cet appareil au conducteur de liaison à la terre peut susciter un risque de choc électrique. En cas de doute quant à la qualité de liaison à la terre de la sècheuse, consulter un électricien ou un technicien ou un personnel qualifié. Ne pas modifier la fiche de branchement fournie avec la sècheuse; si la fiche ne correspond pas à la configuration de la prise de courant, demander à un électricien qualifié d'installer une prise de courant appropriée.

### CONSERVEZ CES INSTRUCTIONS

## L'ÉVACUATION

### Exigences concernant l'évacuation

### ⚠ AVERTISSEMENT

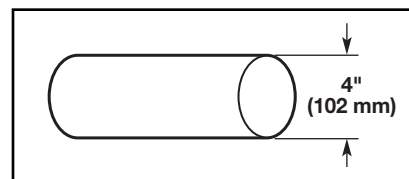


#### Risque d'incendie

- Utiliser un conduit d'évacuation en métal lourd.
- Ne pas utiliser un conduit d'évacuation en plastique.
- Ne pas utiliser un conduit d'évacuation en feuille de métal.
- Le non-respect de ces instructions peut causer un décès ou un incendie.

**AVERTISSEMENT :** Pour réduire le risque d'incendie, cette sècheuse doit ÉVACUER L'AIR À L'EXTÉRIEUR.

**IMPORTANT :** Respecter les dispositions de tous les codes et règlements en vigueur. Le conduit d'évacuation de la sècheuse ne doit pas être connecté à une évacuation de gaz, une cheminée, un mur, un plafond, un grenier, un vide sanitaire ou un vide de construction. Seul un conduit en métal flexible ou rigide doit être utilisé pour l'évacuation.



Conduit d'évacuation en métal lourd de 4" (102 mm)

- Utiliser un conduit d'évacuation en métal lourd de 4" (102 mm) et des brides de serrage.
- Ne pas utiliser de conduit de plastique ou en aluminium.

#### Conduit métallique rigide :

- Recommandé pour une meilleure performance de séchage et pour réduire les risques d'écrasement et de déformation.

**Conduit métallique flexible :** (Acceptable uniquement si accessible pour le nettoyage)

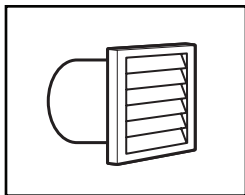
- Doit être complètement déployé et supporté dans l'emplacement final de la sècheuse.
- Enlever tout excès de conduit pour éviter tout affaissement et déformation susceptible de réduire la capacité d'évacuation et le rendement.
- Ne pas installer le conduit dans les cavités fermées des murs, plafonds ou planchers.
- La longueur totale ne doit pas excéder 7<sup>3</sup>/<sub>4</sub> pi (2,4 m).

**REMARQUE :** Lors de l'utilisation d'un système de décharge existant, nettoyer et éliminer la charpie sur toute la longueur du système et veiller à ce que le clapet d'évacuation ne soit pas obstrué par une accumulation de charpie. Remplacer tout conduit de plastique ou d'aluminium par un conduit métallique rigide ou flexible. Examiner le "Tableau des systèmes d'évacuation" et, au besoin, apporter les modifications nécessaires au système d'évacuation pour atteindre le meilleur rendement de séchage.

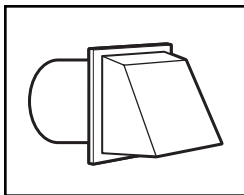
## Clapets de décharge :

- Doit se situer à au moins 12" (305 mm) au-dessus du sol ou de tout objet susceptible d'obstruer l'évacuation (par exemple fleurs, roches, arbustes ou neige).

## Styles recommandés :

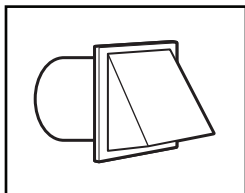


Clapet à persiennes



Clapet de type boîte

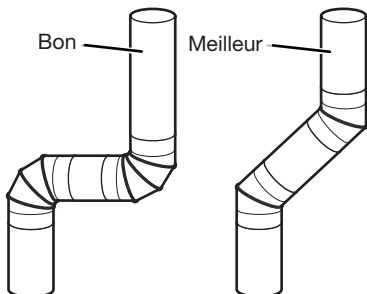
## Style acceptable :



Clapet incliné

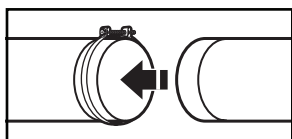
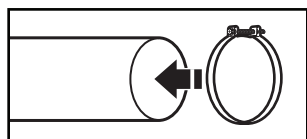
## Coudes :

- Les coudes à 45° permettent une meilleure circulation de l'air que les coudes à 90.°



## Brides de serrage :

- Utiliser des brides de serrages pour sceller toutes les jointures.
- Le conduit d'évacuation ne doit pas être connecté ou fixé avec des vis ou avec tout autre dispositif de serrage qui se prolonge à l'intérieur du conduit et où la charpie risque de s'accrocher. Ne pas utiliser de ruban adhésif pour conduit.



**Une mauvaise évacuation de l'air peut causer de l'humidité et une accumulation de charpie à l'intérieur de la maison, ce qui peut provoquer :**

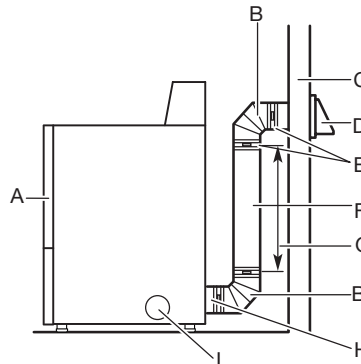
- Dommages par l'humidité aux boiseries, meubles, peinture, papier-peint, tapis, etc.
- Problèmes de nettoyage dans la maison et problèmes de santé.

Pour plus de renseignements voir "Trousse d'évacuation."

## Planification du système d'évacuation

### Installations d'évacuation recommandées

Les installations typiques consistent à acheminer le conduit d'évacuation à l'arrière de la sècheuse. D'autres installations sont possibles.



- |                       |                                                             |
|-----------------------|-------------------------------------------------------------|
| A. Sècheuse           | F. Conduit métallique rigide ou souple                      |
| B. Coude              | G. Longueur de conduit nécessaire pour raccorder les coudes |
| C. Mur                | H. Bouche de décharge                                       |
| D. Clapet de décharge | I. Sortie d'évacuation latérale facultative                 |
| E. Brides             |                                                             |

### Installations d'évacuation facultatives :

L'évacuation peut être convertie pour évacuer par le côté droit, le côté gauche ou par le bas (ensemble d'évacuation 4 voies). Chaque ensemble comporte des instructions étape par étape. Pour les renseignements sur la manière de commander, voir "Trousse d'évacuation."

## ⚠ AVERTISSEMENT

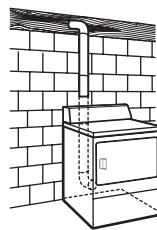


### Risque d'incendie

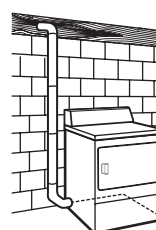
**Recouvrir tous les orifices d'évacuation non utilisés avec une trousse du fabricant.**

**Contactez votre marchand local.**

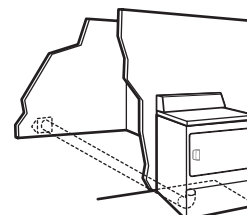
**Le non-respect de ces instructions peut causer un décès, un incendie, un choc électrique ou une blessure grave.**



A



B

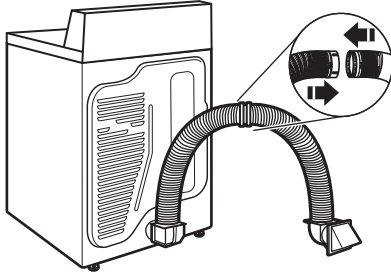


C

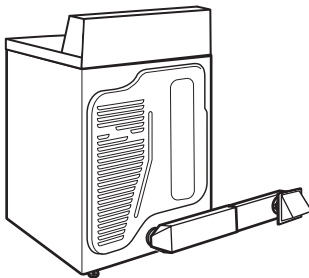
- A. Installation avec acheminement standard du conduit d'évacuation par l'arrière  
 B. Installation avec évacuation par la gauche ou par la droite  
 C. Installation avec évacuation par le bas

## Installations alternées pour dégagements étroits

Il existe de nombreux systèmes d'évacuation. Choisir le type le mieux adapté à votre installation. Sur l'illustration : deux installations avec dégagement réduit. Se rapporter aux instructions du fabricant.



Installation au-dessus de la sècheuse  
(également disponible avec un coude décalé)



Installation de périscope

**REMARQUE :** Les trousseaux suivants pour les installations alternées à dégagements étroits sont disponibles à l'achat.

## Trousses d'évacuation

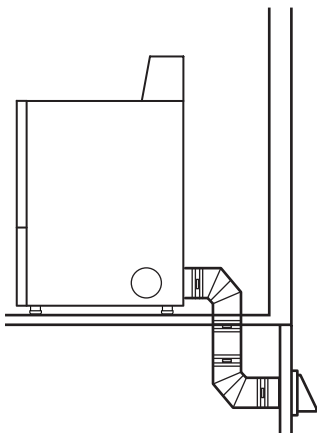
Pour plus de renseignements, contacter **1-800-688-2002**, ou visiter notre site Web **www.maytagreplacementparts.com**.

Numéro de pièces	Descriptions
8171587RP	Périscope d'évacuation métallique de 0" à 5"
4396037RP	Périscope d'évacuation métallique de 0" à 18"
4396011RP	Périscope d'évacuation métallique de 18" à 29"
4396014	Périscope d'évacuation métallique de 29" à 50"
4392892	Périscope DuraVent™ métallique mural
W10186596	Trousse d'évacuation à 4 directions – gris universel
4396028	Trousse d'évacuation Sure Connect™ (installation par le dessus)
4396009RP	Conduit raccordement universel de 5,' conduit d'évacuation souple pour sècheuse
4396010RP	Conduit SecureConnect™ de 6,' conduit d'évacuation souple pour sècheuse
4396013RB	Trousse d'installation du conduit de sècheuse
4396033RP	Conduit d'évacuation souple pour sècheuse de 5' avec brides
4396727RP	Conduit d'évacuation souple pour sècheuse de 8' avec brides
4396004	Coude décalé pour sècheuse
4396005	Coude décalé pour mur
4396006RW	Coude serré DuraSafe™
4396007RW	Clapet de conduit d'évacuation à travers le mur
4396008RP	Brides d'évacuation en acier de 4" pour sècheuse – lot de 2
8212662	Clapet d'évacuation à persiennes de 4" pour montage en affleurement



### Dispositions spéciales pour les maisons mobiles :

Le système d'évacuation doit être solidement fixé à une section non combustible de la structure de la maison mobile et ne doit pas se terminer en dessous de celle-ci. Acheminer le conduit d'évacuation vers l'extérieur.



### Déterminer l'itinéraire d'acheminement du conduit :

- Choisir l'itinéraire d'acheminement vers l'extérieur qui sera le plus direct et le plus rectiligne.
- Planifier l'installation pour introduire le nombre minimal de coudes et de changements de direction.
- Si des coudes ou changements de direction sont utilisés, prévoir autant d'espace que possible.
- Plier le conduit graduellement pour éviter de le déformer.
- Utiliser le moins possible de changements de direction à 90.°

### Déterminer la longueur du conduit et les coudes nécessaires pour un séchage optimal :

- Utiliser le Tableau des systèmes d'évacuation ci-dessous pour déterminer le type de composants et les combinaisons acceptables.

**REMARQUE :** Ne pas utiliser un conduit de longueur supérieure à la valeur spécifiée dans le Tableau des systèmes d'évacuation. Si la longueur du circuit est supérieure à la valeur spécifiée dans le tableau, on observera :

- Une réduction de la longévité de la sècheuse.
- Une réduction du rendement, avec temps de séchage plus longs et une plus grande consommation d'énergie.

Le Tableau des systèmes d'évacuation fournit les spécifications d'évacuation qui vous aideront à atteindre la meilleure performance de séchage.

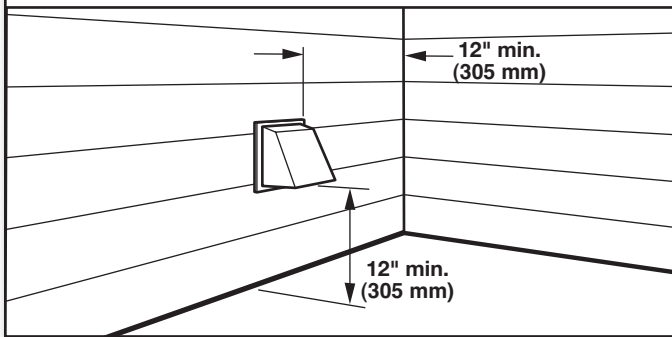
### Tableau des systèmes d'évacuation

Nombre de coudes à 90°	Type de conduit d'évacuation	Clapets de type boîte/à persiennes	Clapets inclinés
0	Métallique rigide	64 pi (20 m)	58 pi (17,7 m)
1	Métallique rigide	54 pi (16,5 m)	48 pi (14,6 m)
2	Métallique rigide	44 pi (13,4 m)	38 pi (11,6 m)
3	Métallique rigide	35 pi (10,7 m)	29 pi (8,8 m)
4	Métallique rigide	27 pi (8,2 m)	21 pi (6,4 m)

**REMARQUE :** Les installations d'évacuation par le côté ou par le bas comportent un changement de direction à 90° à l'intérieur de la sècheuse. Pour établir la longueur maximale du conduit, ajouter un changement de direction à 90° au tableau.

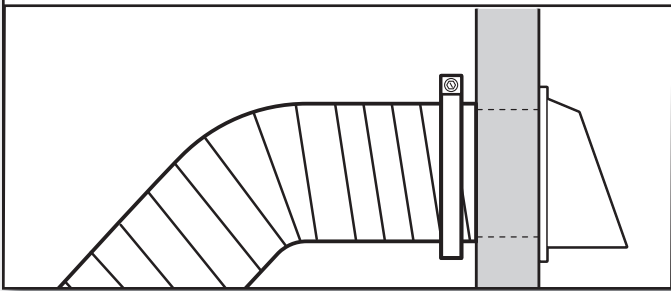
## Installation du circuit d'évacuation

### 1. Installer le clapet d'évacuation



Installer un clapet d'évacuation et calfeutrer l'ouverture murale à l'extérieur autour du clapet d'évacuation.

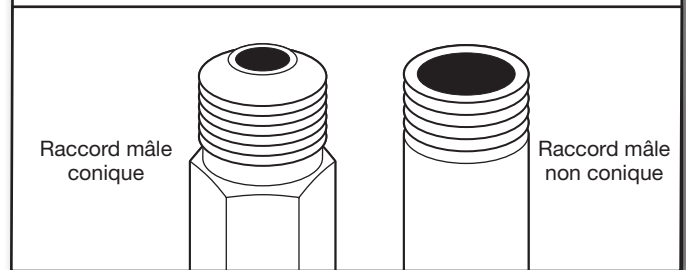
### 2. Raccorder le conduit d'évacuation au clapet



Le conduit doit se trouver par dessus le clapet d'évacuation. Fixer ensemble le conduit et le clapet avec une bride de 4" (102 mm). Acheminer le conduit d'évacuation jusqu'à l'emplacement de la sècheuse, utiliser l'itinéraire le plus rectiligne possible. Éviter les changements de direction à 90.° Utiliser des brides de serrage pour sceller toutes les jointures. Ne pas utiliser de ruban adhésif pour conduit, de vis ou autres dispositifs de fixation qui se prolongeraient à l'intérieur du conduit pour sécuriser l'évacuation, car la charpie pourrait s'y accrocher.

## Raccordement au gaz

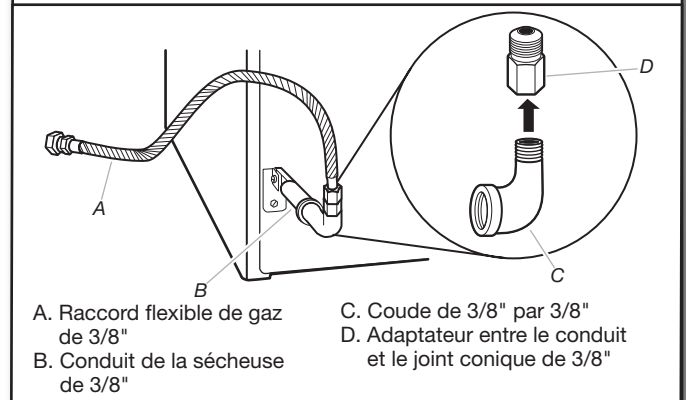
### 1. Raccorder l'alimentation en gaz à la sècheuse



Retirer le capuchon rouge de la canalisation de gaz. À l'aide d'une clé pour serrer, raccorder l'alimentation en gaz à la sècheuse. Utiliser un composé d'étanchéité des tuyauteries sur tous les filetages des raccords mâles non coniques. Si on utilise un conduit métallique souple, veiller à ce qu'il ne soit pas pincé.

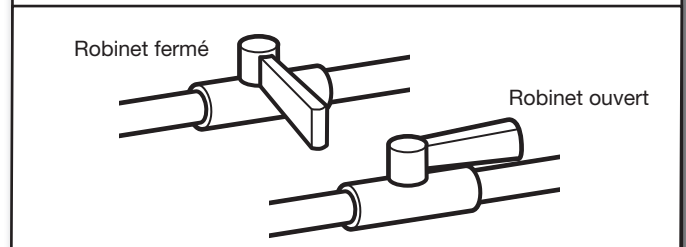
**REMARQUE :** Pour les raccords au gaz propane, on doit utiliser un composé d'étanchéité résistant à l'action du gaz propane. Ne pas utiliser de ruban adhésif TEFLON.®†

### 2. Préparer la connexion des raccords de tuyauterie



On doit utiliser une combinaison de raccords de tuyauterie pour raccorder la sècheuse à l'alimentation en gaz existante. L'illustration présente un raccordement recommandé. Le raccordement peut varier selon le type, la taille et l'emplacement de la canalisation d'alimentation.

### 3. Ouvrir le robinet d'arrêt du gaz

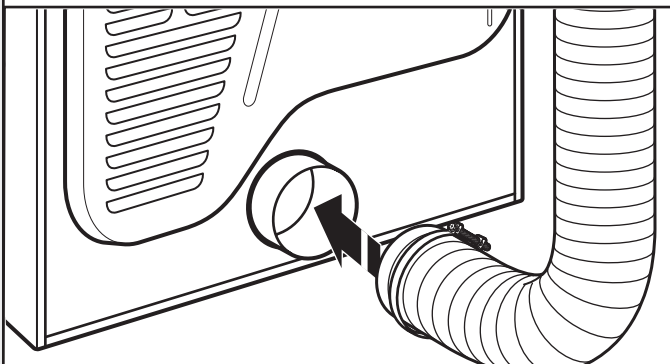


Ouvrir le robinet d'arrêt de la canalisation d'alimentation; le robinet est ouvert lorsque la manette est parallèle à la canalisation de gaz. Vérifier ensuite tous les raccords en les badigeonnant d'une solution de détection des fuites non corrosive approuvée. L'apparition de bulles indique la présence d'une fuite. Réparer toute fuite éventuelle.



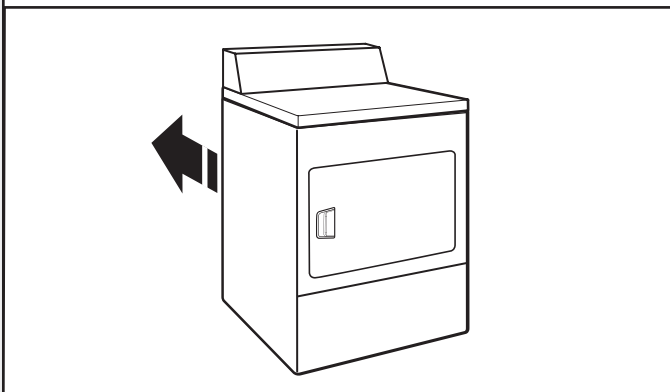
## Raccordement du conduit d'évacuation

### 1. Raccorder le conduit d'évacuation à la bouche d'évacuation



À l'aide d'une bride de serrage de 4" (102 mm), relier le conduit d'évacuation à la bouche d'évacuation de la sècheuse. Si on utilise le conduit d'évacuation existant, s'assurer qu'il est propre. Le conduit d'évacuation de la sècheuse doit être fixé par-dessus la bouche d'évacuation de la sècheuse, et à l'intérieur du clapet d'évacuation. Vérifier que le conduit d'évacuation est fixé au clapet d'évacuation à l'aide d'une bride de serrage de 4" (102 mm).

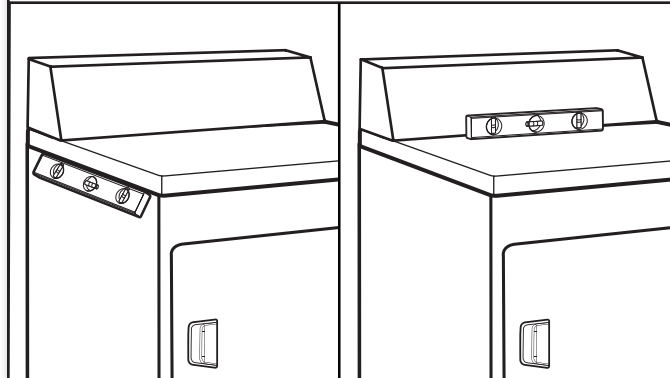
### 2. Déplacer la sècheuse à son emplacement final



Placer la sècheuse à son emplacement final. Éviter d'écraser ou de déformer le conduit d'évacuation. Une fois que la sècheuse est à son emplacement définitif, ôter les cornières et le carton du dessous de la sècheuse.

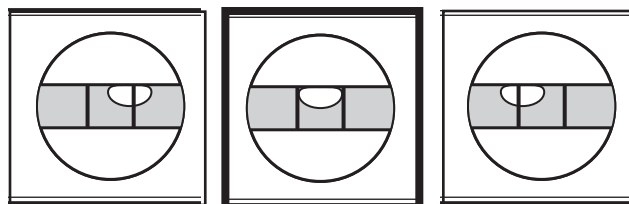
## RÉGLAGE DE L'APLOMB DE LA SÈCHEUSE

### 1. Régler l'aplomb de la sècheuse



Vérifier l'aplomb de la sècheuse d'un côté à l'autre. Répéter l'opération de l'avant vers l'arrière.

**REMARQUE :** La sècheuse doit être d'aplomb pour que le système de détection d'humidité fonctionne correctement.

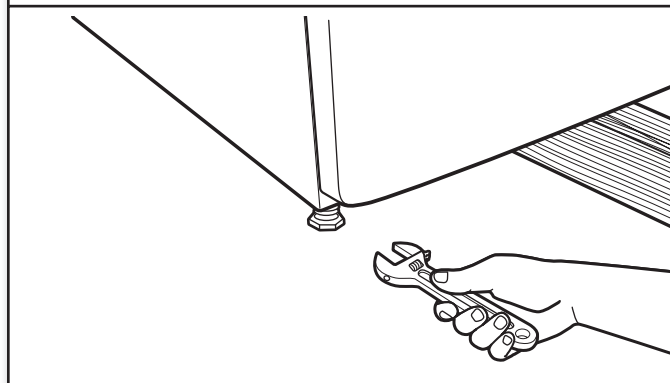


Pas d'aplomb

**D'APLOMB**

Pas d'aplomb

### 2. Serrer et ajuster les pieds de nivellement



Si la sècheuse n'est pas d'aplomb, la soulever à l'aide d'une cale en bois. Utiliser une clé pour ajuster les pieds vers le haut ou vers le bas, et vérifier à nouveau si elle est d'aplomb. Une fois que la sècheuse est d'aplomb, s'assurer que les quatre pieds sont solidement appuyés contre le plancher avant de les serrer.

## ACHEVER L'INSTALLATION – LISTE DE VÉRIFICATION

- Vérifier que toutes les pièces sont maintenant installées. S'il reste une pièce, passer en revue les différentes étapes pour découvrir laquelle aurait été oubliée.
- Vérifier la présence de tous les outils.
- Éliminer/recycler les matériaux d'emballage.
- Vérifier l'emplacement définitif de la sècheuse. S'assurer que le conduit d'évacuation n'est pas écrasé ou déformé.
- Vérifier que la sècheuse est d'aplomb. Voir "Réglage de l'aplomb de la sècheuse."
- Retirer la pellicule sur le panneau de commande et tout ruban adhésif resté sur la sècheuse.
- Essuyer soigneusement l'intérieur du tambour de la sècheuse avec un chiffon humide pour éliminer toute trace de poussière.
- Lire la section "Utilisation de la sècheuse" dans le Guide d'utilisation et d'entretien.
- Régler la sècheuse pour un programme de séchage complet (pas le programme de séchage à l'air) de 20 minutes et mettre la sècheuse en marche.

### Si la sècheuse ne démarre pas, vérifier ce qui suit :

- La sècheuse à gaz est branchée sur une prise à trois alvéoles reliée à la terre. La sècheuse électrique est branchée sur une prise à quatre alvéoles reliée à la terre.
  - La prise de courant est correctement alimentée.
  - Les fusibles du domicile sont intacts et serrés; le disjoncteur n'est pas déclenché.
  - La porte de la sècheuse est fermée.
- Après 5 minutes de fonctionnement, ouvrir la porte de la sècheuse et déterminer si l'on détecte de la chaleur. Si de la chaleur est détectée, annuler le programme et fermer la porte.

### Si vous ne sentez aucune chaleur, éteindre la sècheuse et vérifier ce qui suit :

#### Sécheuses à gaz :

- Si le robinet d'arrêt de la canalisation de gaz est fermé, l'ouvrir, puis répéter le test de 5 minutes décrit ci-dessus.
- Si le robinet d'arrêt de la canalisation de gaz est ouvert, contacter un technicien qualifié.

#### Sécheuses électriques :

- Il peut y avoir deux fusibles ou disjoncteurs domestiques pour la sècheuse. Vérifier que les deux fusibles sont intacts et bien en place ou que les deux disjoncteurs ne se sont pas déclenchés. S'il n'y a toujours pas de chaleur, contacter un technicien qualifié.

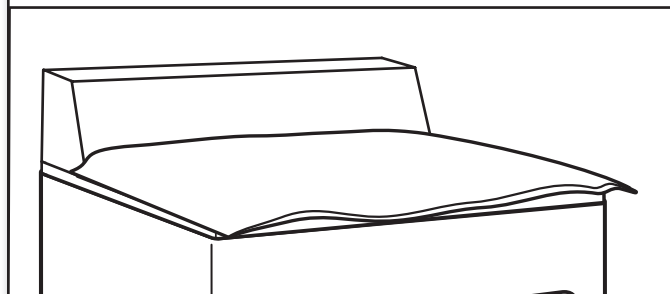
**REMARQUE :** Il est possible que la sècheuse dégage une odeur lors du chauffage initial. Cette odeur est normale lorsque l'élément chauffant est utilisé pour la première fois. L'odeur disparaîtra.

## INVERSION DU SENS DE L'OUVERTURE DE LA PORTE (FACULTATIF)

**REMARQUE :** Un tournevis aimanté serait utile.

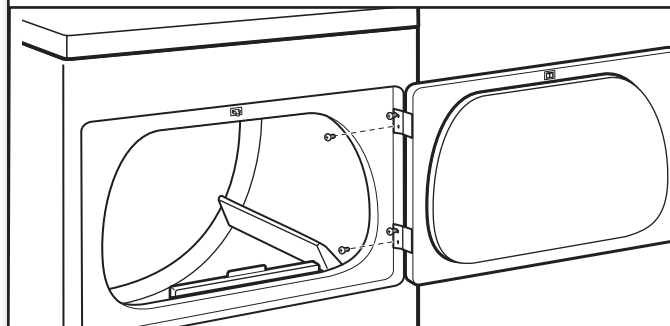
Porte à ouverture latérale, modèle de 27"

### 1. Placer une serviette sur la sècheuse



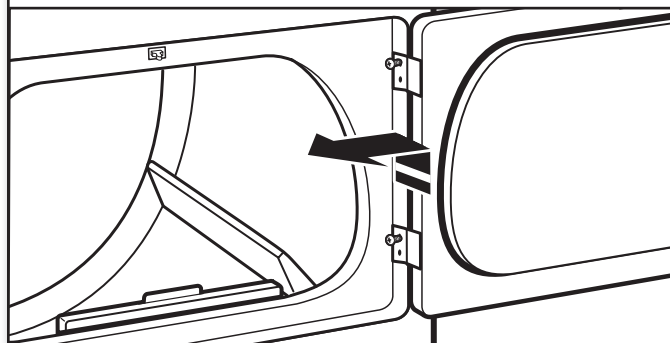
Placer une serviette sur le dessus de la sècheuse pour éviter d'endommager la surface.

### 2. Ôter les vis inférieures



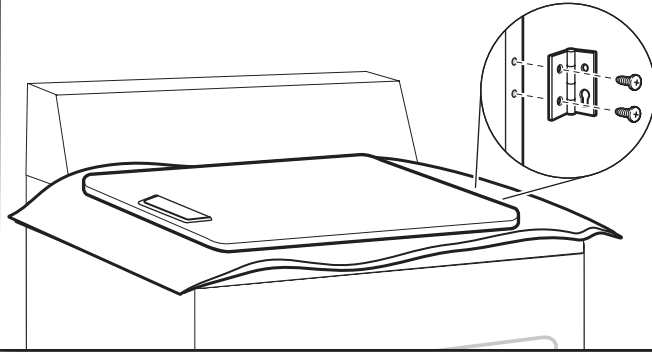
Ouvrir la porte de la sècheuse. Ôter les vis inférieures de la portion des charnières attachée à la caisse de la sècheuse. Desserrer (ne pas retirer) les vis supérieures de la portion des charnières attachée à la caisse de la sècheuse.

### 3. Soulever la porte pour la dégager des vis supérieures



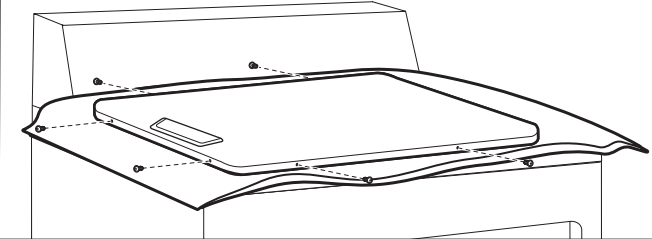
Soulever la porte jusqu'à ce que les vis supérieures situées dans la caisse de la sècheuse se trouvent dans la partie évasée de l'encoche de charnière. Tirer la porte vers l'avant pour la dégager des vis. Placer la porte (côté poignée vers le haut) sur la sècheuse. Retirer les vis supérieures de la caisse de la sècheuse.

#### 4. Ôter les vis des charnières



Retirer les vis fixant les charnières à la porte.

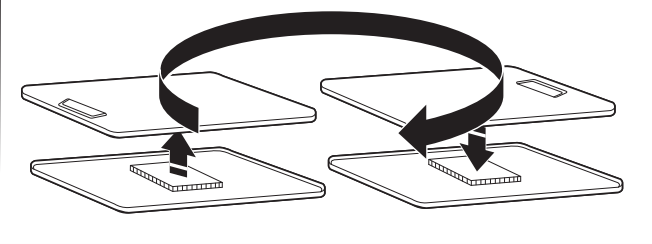
#### 5. Ôter les vis du panneau de porte



Retirer les vis du sommet, du bas et du côté de la porte (six vis). Conserver séparément les vis de porte et les vis de charnière, car elles sont de tailles différentes. Tout en maintenant la porte sur la serviette et sur la sècheuse, saisir les côtés de la porte externe et la soulever pour la séparer de la porte interne.

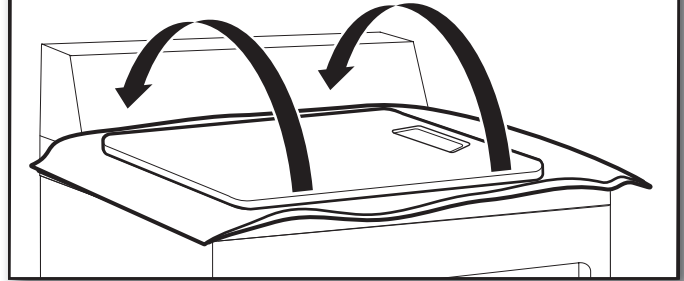
**REMARQUE :** Ne pas utiliser de couteau à mastic ou de tournevis pour séparer les portes. Ne pas tirer sur le joint ou les pitons de retenue en plastique de la porte.

#### 6. Faire pivoter la porte externe



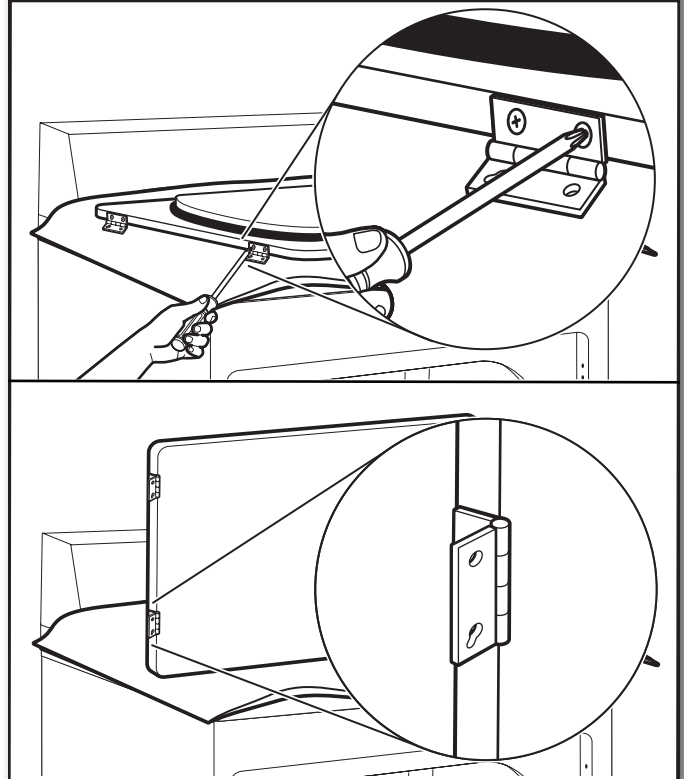
Faire pivoter de 180° puis la replacer sur la porte interne. Veiller à maintenir la cale d'espacement en carton centrée entre les portes. Fixer à nouveau le panneau de porte externe sur le panneau de porte interne de façon à ce que la poignée se trouve du côté où les charnières viennent d'être retirées. Insérer les six vis de porte.

#### 7. Retourner la porte



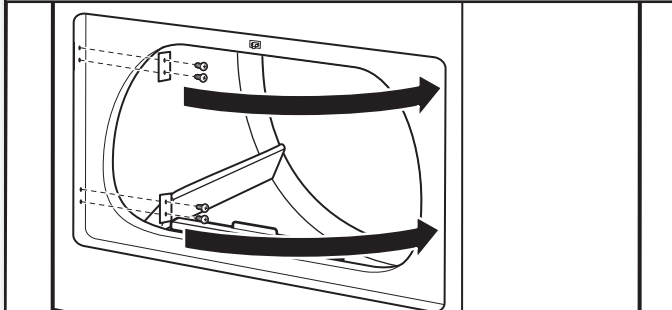
Retourner la porte de façon à ce que la poignée soit orientée vers le bas.

#### 8. Fixer les charnières de porte



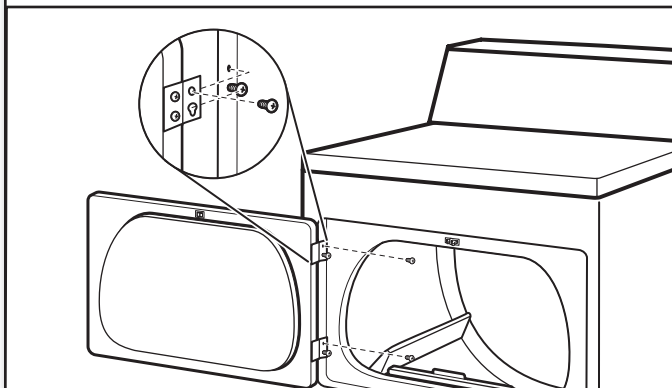
Réinstaller les charnières de porte sur la porte de la sècheuse de façon à ce que le trou le plus gros se trouve dans la partie inférieure de la charnière.

## 9. Retirer les bouchons d'obturation et les transférer



Ôter les quatre vis fixant les deux bouchons d'obturation du côté gauche. Transférer les bouchons d'obturation au côté opposé à l'aide des mêmes quatre vis.

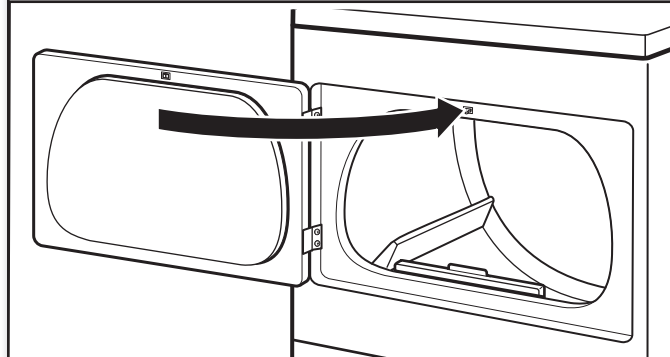
## 10. Insérer les vis dans les trous de charnière de la caisse de la sécheuse



**REMARQUE :** Il faudra peut-être deux personnes pour réinstaller la porte.

Insérer les vis dans les trous inférieurs du côté gauche de la caisse de la sécheuse. Serrer les vis à moitié. Positionner la porte de façon à ce que le côté large de l'encoche de la charnière de porte se trouve au-dessus des vis. Faire glisser la porte vers le haut de façon à ce que les vis se trouvent au fond des encoches. Resserrer les vis. Insérer les vis supérieures dans les charnières et les serrer.

## 11. Contrôler l'alignement du pignon de la porte



Fermer la porte et vérifier que le pignon de la porte est aligné avec la gâche de la porte. Au besoin, faire glisser la gâche de la porte vers la gauche ou vers la droite à l'intérieur de l'encoche pour régler l'alignement.

## DÉPANNAGE

Voir le Guide d'utilisation et d'entretien ou consulter notre site Web et la "Foire aux questions" pour tenter d'éviter le coût d'une intervention de réparation.

