

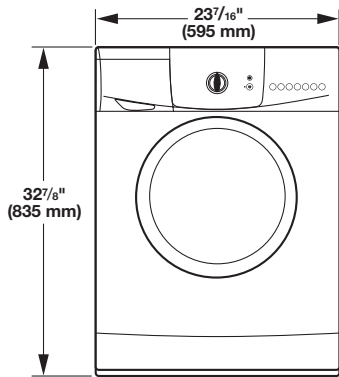


Front-Loading Automatic Washer

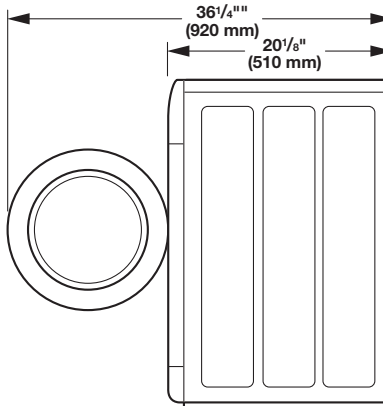
PRODUCT MODEL NUMBERS

MHWC7500Y

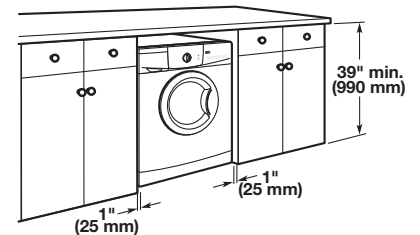
Washer Dimensions:



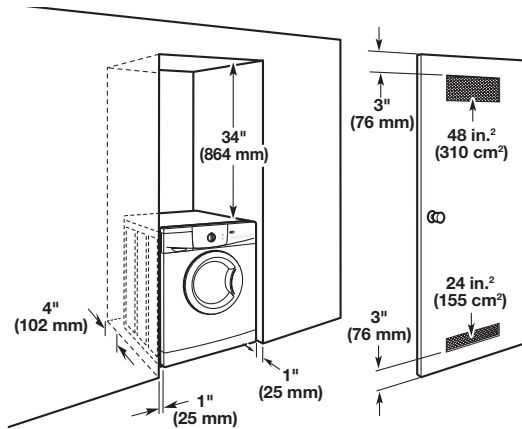
Undercounter installation - washer only:



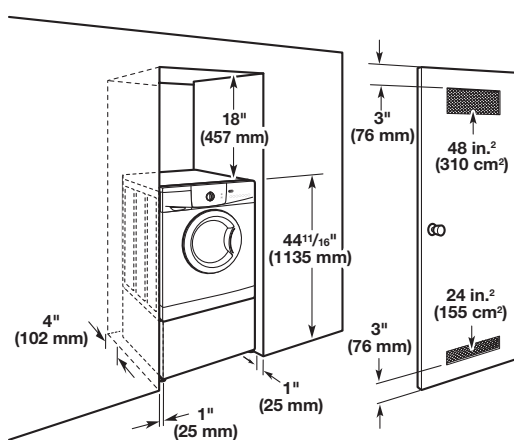
Cabinet installation:



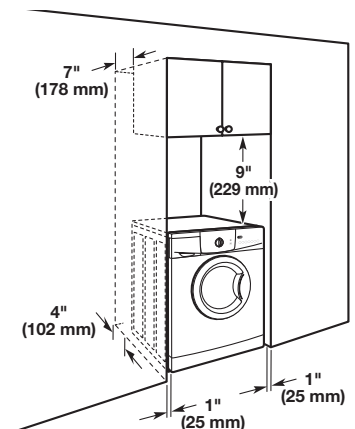
Recessed area or closet installation - without pedestal



Recessed area or closet installation - with pedestal

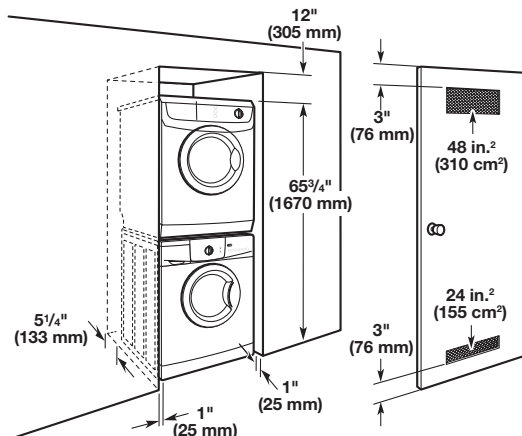


Custom cabinet installation



*External exhaust elbow requires additional space.

Recessed or closet installation - stacked washer and dryer



Installation spacing for recessed area or closet installation

The dimensions shown below are the recommended spacing for this washer.

- Additional spacing should be considered for ease of installation and servicing.
- Additional clearances might be required for wall, door, floor moldings, and dryer venting.
- Additional spacing of 1" (25 mm) on all sides of the dryer is recommended to reduce noise transfer.
- For closet installation, with a door, minimum ventilation openings in the top and bottom of the door are required. Louvered doors with equivalent ventilation openings are acceptable. Companion appliance spacing should also be considered.

ELECTRICAL REQUIREMENTS

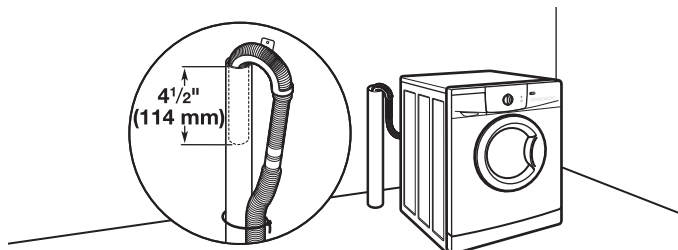
A 120 volt, 60 Hz., AC only, 15- or 20-amp, fused electrical supply is required. A time-delay fuse or circuit breaker is recommended. It is recommended that a separate circuit serving only this appliance be provided.

DRAIN SYSTEM

Drain system can be installed using a floor drain, wall standpipe, or laundry tub. Select method you need.

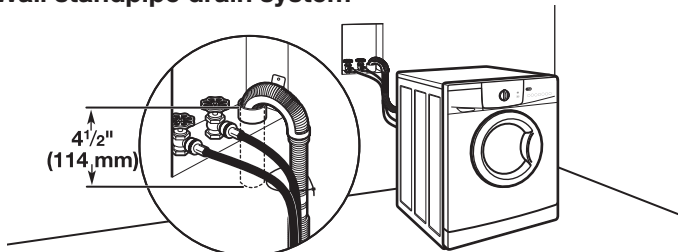
IMPORTANT: To avoid siphoning, only 4½" (114 mm) of drain hose should be inside standpipe. Always secure drain hose with cable tie.

Floor standpipe drain system



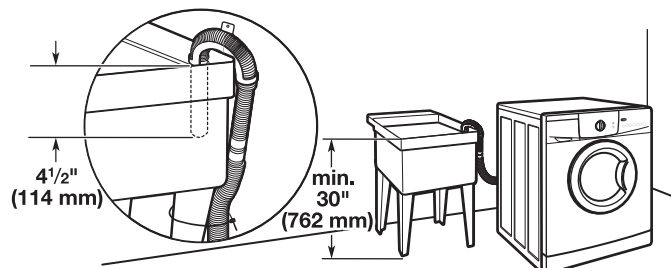
Minimum diameter for a standpipe drain: 2" (51 mm). Minimum carry-away capacity: 17 gal. (64 L) per minute. A 1/4" (6 mm) diameter to 1" (25 mm) diameter Standpipe Adapter Kit is available (Part Number 3363920). Top of standpipe must be at least 30" (762 mm) high; install no higher than 55" (1.4 m) from bottom of washer. If you have an overhead sewer and need to pump higher than 96 inches, a sump pump and associated hardware are needed. See "Alternate Parts".

Wall standpipe drain system



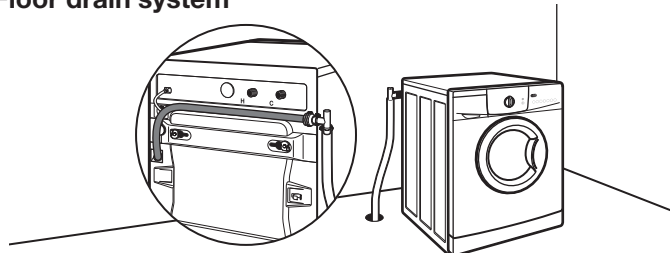
See requirements for floor standpipe drain system.

Laundry tub drain system



Minimum capacity: 20 gal. (76 L). Top of laundry tub must be at least 30" (762 mm) above floor; install no higher than 55" (1.4 m) from bottom of washer.

Floor drain system



Floor drain system requires a Siphon Break Kit (Part Number 285834), 2 Connector Kits (Part Number 285835), and an Extension Drain Hose (Part Number 285863) that may be purchased separately. See "Alternate Parts". Minimum siphon break height: 28" (710 mm) from bottom of washer. (Additional hoses may be needed.)