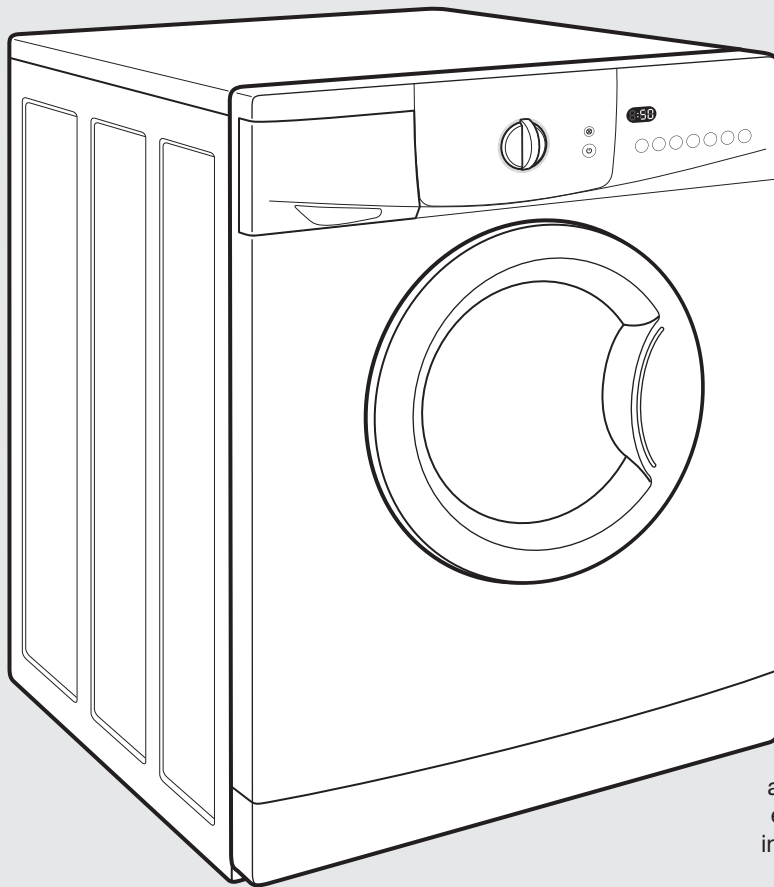




Use & Care Guide

Guide d'utilisation et d'entretien

FRONT-LOADING AUTOMATIC WASHER LAVEUSE AUTOMATIQUE À CHARGEMENT FRONTAL



Para obtener acceso al Manual de uso y cuidado en español, o para obtener información adicional acerca de su producto, visite: www.maytag.com

If you have any problems or questions, visit us at www.maytag.com
Pour tout problème ou question, consulter www.maytag.ca



Designed to use only **HE**
High Efficiency detergents.

Conçue pour l'utilisation
d'un détergent haute
efficacité seulement.

W10445545B
W10445548A - SP

FRONT-LOADING AUTOMATIC WASHER

TABLE OF CONTENTS

WASHER SAFETY	2	INSTALLATION INSTRUCTIONS.....	17
OPERATING INSTRUCTIONS	4	ROUTE DRAIN HOSE.....	18
FEATURES AND BENEFITS	4	CONNECT INLET HOSES	19
CONTROL PANEL AND FEATURES.....	5	LEVEL WASHER.....	20
CYCLE GUIDE.....	7	COMPLETE INSTALLATION CHECKLIST	21
USING YOUR WASHER.....	8	TROUBLESHOOTING	22
WASHER MAINTENANCE.....	11	ACCESSORIES	28
INSTALLATION INSTRUCTIONS	14	WARRANTY	29
INSTALLATION REQUIREMENTS	14	ASSISTANCE OR SERVICE	Back Cover
LOCATION REQUIREMENTS.....	15		
DRAIN SYSTEM	16		
ELECTRICAL REQUIREMENTS	17		

LAVEUSE AUTOMATIQUE À CHARGEMENT FRONTAL

TABLE DES MATIÈRES

SÉCURITÉ DE LA LAVEUSE	30	INSTRUCTIONS D'INSTALLATION	47
INSTRUCTIONS D'UTILISATION	31	ACHEMINER LE TUYAU D'ÉVACUATION	48
CARACTÉRISTIQUES ET AVANTAGES	31	RACCORDEMENT DES TUYAUX	
TABLEAU DE COMMANDE ET CARACTÉRISTIQUES ...	32	D'ARRIVÉE D'EAU.....	49
GUIDE DES PROGRAMMES	34	ÉTABLISSEMENT DE L'APLOMB DE LA LAVEUSE.....	50
UTILISATION DE LA LAVEUSE	36	LISTE DE VÉRIFICATION POUR L'ACHÈVEMENT	
ENTRETIEN DE LA LAVEUSE	40	DE L'INSTALLATION.....	51
INSTRUCTIONS D'INSTALLATION	43	DÉPANNAGE	52
EXIGENCES D'INSTALLATION.....	43	ACCESSOIRES	60
EXIGENCES D'EMPLACEMENT	44	GARANTIE	63
SYSTÈME DE VIDANGE.....	45	ASSISTANCE	
SPÉCIFICATIONS ÉLECTRIQUES	46	OU SERVICE	Couverture arrière

WASHER SAFETY

Your safety and the safety of others are very important.

We have provided many important safety messages in this manual and on your appliance. Always read and obey all safety messages.



This is the safety alert symbol.

This symbol alerts you to potential hazards that can kill or hurt you and others.

All safety messages will follow the safety alert symbol and either the word "DANGER" or "WARNING." These words mean:

⚠ DANGER

You can be killed or seriously injured if you don't immediately follow instructions.

⚠ WARNING

You can be killed or seriously injured if you don't follow instructions.

All safety messages will tell you what the potential hazard is, tell you how to reduce the chance of injury, and tell you what can happen if the instructions are not followed.

IMPORTANT SAFETY INSTRUCTIONS

WARNING: To reduce the risk of fire, electric shock, or injury to persons when using the washer, follow basic precautions, including the following:

- Read all instructions before using the washer.
- Do not wash articles that have been previously cleaned in, washed in, soaked in, or spotted with gasoline, dry-cleaning solvents, other flammable, or explosive substances as they give off vapors that could ignite or explode.
- Do not add gasoline, dry-cleaning solvents, or other flammable, or explosive substances to the wash water. These substances give off vapors that could ignite or explode.
- Under certain conditions, hydrogen gas may be produced in a hot water system that has not been used for 2 weeks or more. **HYDROGEN GAS IS EXPLOSIVE.** If the hot water system has not been used for such a period, before using the washing machine, turn on all hot water faucets and let the water flow from each for several minutes. This will release any accumulated hydrogen gas. As the gas is flammable, do not smoke or use an open flame during this time.
- Do not allow children to play on or in the washer. Close supervision of children is necessary when the washer is used near children.
- Before the washer is removed from service or discarded, remove the door or lid.
- Do not reach into the washer if the drum, tub or agitator is moving.
- Do not install or store the washer where it will be exposed to the weather.
- Do not tamper with controls.
- Do not repair or replace any part of the washer or attempt any servicing unless specifically recommended in this manual or in published user-repair instructions that you understand and have the skills to carry out.
- See “Electrical Requirements” located in the installation instructions for grounding instructions.

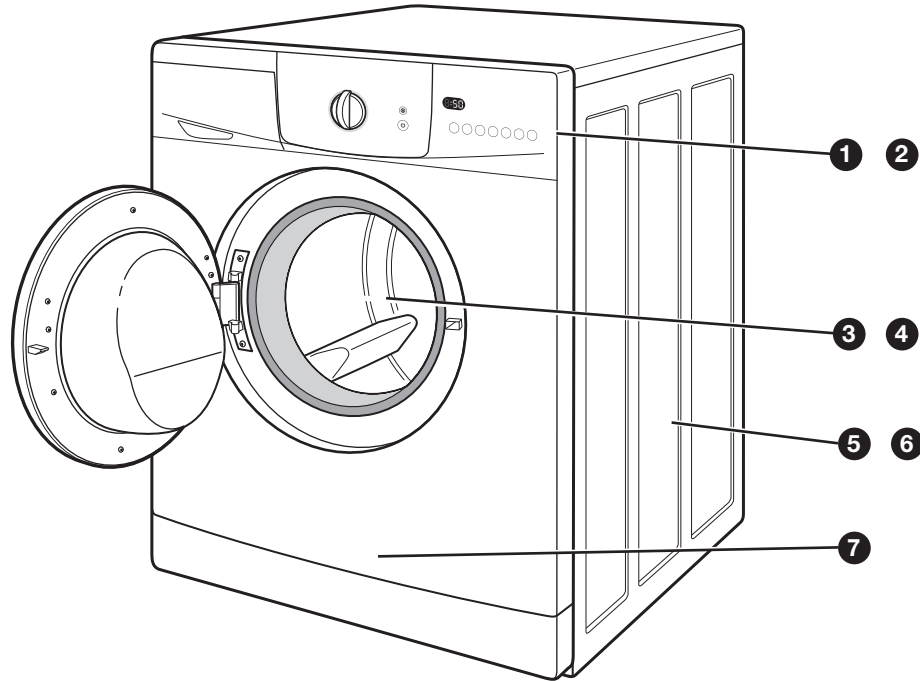
SAVE THESE INSTRUCTIONS

State of California Proposition 65 Warnings:

WARNING: This product contains one or more chemicals known to the State of California to cause cancer.

WARNING: This product contains one or more chemicals known to the State of California to cause birth defects or other reproductive harm.

OPERATING INSTRUCTIONS



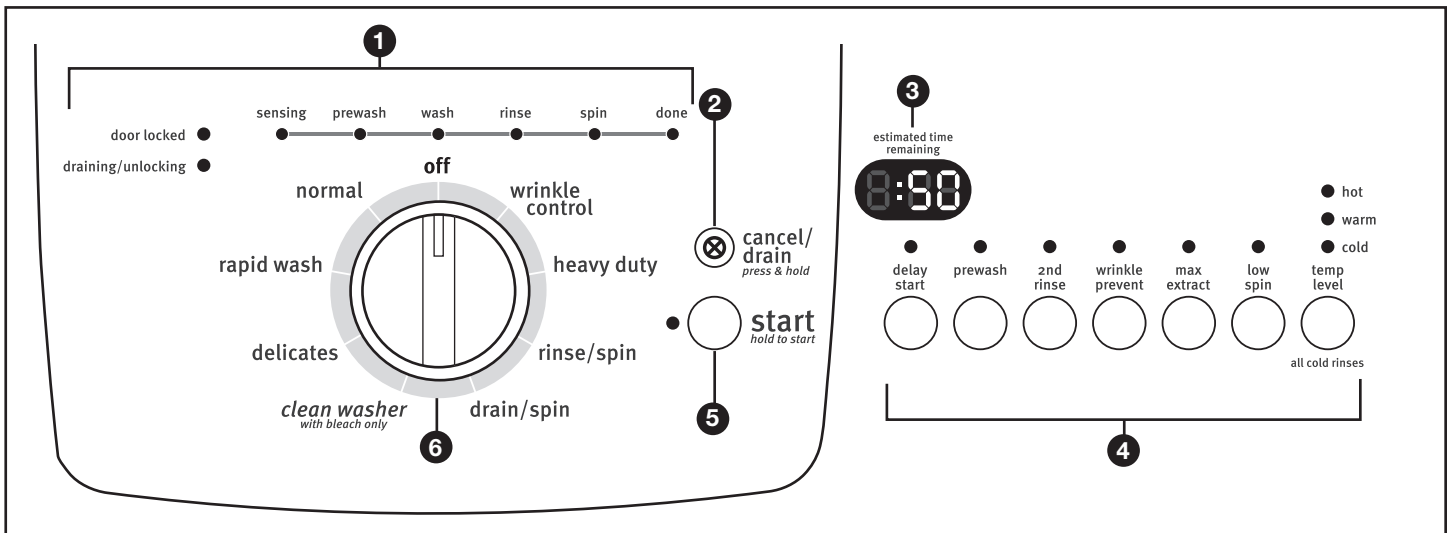
FEATURES AND BENEFITS

Your new front-loading high efficiency washer, was designed to conserve resources and lower your water and energy bills. The washer is designed to determine and then provide the amount of water needed for the best performance. The time of operation may be greater for this new system than for a conventional washer.

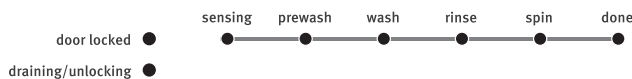
- 1 ELECTRONIC CONTROLS**
Flexible electronic controls are easy to use whether you are a beginner or an expert.
- 2 AUTO TEMP CONTROL**
ATC (Auto Temp Control) electronically senses and maintains a uniform water temperature. ATC regulates incoming hot and cold water. The ATC is automatically turned ON when a cycle is selected. See “Cycle Guide.”
 - ATC works for the wash temperature with Warm and Cold settings.
 - The cold rinse temperatures depend on the cold water at your faucet.
- 3 AUTO WATER LEVEL**
Adjusting to the size of the load, this feature allows the washer to use the minimal amount of water needed to clean and rinse the clothes. With a low water level, you can obtain the same results with smaller amounts of laundry products. Because only the required amount of water is used, the washer saves energy, too.
- 4 STAINLESS STEEL DRUM**
The stainless steel drum eliminates corrosion and enables higher spin speeds for more water extraction, reducing drying time.

- 5 SUSPENSION SYSTEM**
To reduce washer “walk” and “off-balance” conditions, your new washer combines:
 - 2 Springs to isolate vibration
 - 2 Shock absorbers at the washer base to minimize movement
- 6 DYNAMIC BALANCE**
A precision balancing system allows the washer to reach high-speed spins. The washer spins faster so that clothes coming out of the washer will have less moisture than with traditional top load washers. In addition, if the Dynamic Balance system detects off-balance loads during spinning, it redistributes the clothes so that they are evenly balanced.
- 7 ADAPTIVE VARIABLE SPEED MOTOR**
The motor adapts to the load size and to the cycle selected to give the optimum cleaning, rinsing, and spinning conditions. The motor can handle slow speeds needed for delicate items and is powerful enough to drive an average clothes load up to high-speed spin.

CONTROL PANEL AND FEATURES



1 CYCLE STATUS LIGHTS



The Cycle Status Lights show the progress of a cycle. At each stage of the process, you may notice sounds or pauses that are different from traditional washers.

The Sensing status light comes on as the washer automatically weighs items, then adjusts the Estimated Time Remaining, based on the cycle selected.

When the Door Locked LED light illuminates, the door is locked. The door is locked and unlocked automatically, depending on the stage of the wash cycle. Press and hold CANCEL/DRAIN for 3 seconds to unlock the door manually. It will take approximately 1 minute for the door to unlock. When the door is unlocked, the Draining/Unlocking light illuminates.

The Prewash, Wash, Rinse, and Spin lights each come on as the washer progresses through each cycle.

The Done status light stays on for 1 hour after the cycle is complete. To power down the washer manually after the wash cycle is complete, switch knob to the Off position.

2 CANCEL/DRAIN BUTTON

Press to turn the washer on and off.
Press to stop/cancel a cycle at any time.

3 ESTIMATED TIME REMAINING

The cycle times vary automatically based on your water pressure, water temperature, detergent, and clothes load. The cycle time will be extended if oversudsing occurs or the load is unbalanced. The oversuds routine removes extra suds and ensures proper rinsing of your garments. The options you select will also affect the cycle times that are shown in the "Cycle Guide." The Estimated Time Remaining can change to much longer times under extreme conditions.

4 OPTIONS

You can customize your wash by adding options to your cycle selections. Not all options are available with all cycles.

- If an option is available with a selected cycle, the light for that option will illuminate when selected.
- If an option is unavailable with a selected cycle, there will be a blinking light. The light for that option will not illuminate when selected.

Delay Start

Use this to begin the wash cycle later.

- Select DELAY START until the desired time (in hours) shows in the Estimated Time Remaining display.
- Select START. The countdown to the wash cycle will show in the display window.

Prewash

Prewash is an 18-minute soak phase that is added before the main wash. During prewash, there is only a small amount of tumbling.

2nd Rinse

A second rinse can be used to aid in the removal of detergent or bleach residue from garments. This option provides an additional rinse with the same water temperature as in the normal rinse. You may select or deselect by pressing 2ND RINSE.

Wrinkle Prevent

Use this option to increase the quantity of incoming water and decrease the spin speed and duration in the rinse period. The last spin phase will have a lower spin speed and last a shorter time.

Max Extract

Use this option to increase the final spin period by 1 minute during the final spin.

Low Spin

Each cycle has a preset spin speed. To reduce the final spin speed, press the LOW SPIN button.

Temp Level

Each cycle has a preset water temperature setting. To change the water temperature, press the TEMP LEVEL button until the desired setting is illuminated.

Select a water temperature based on the type of load you are washing. Use the warmest wash water safe for fabrics. Follow garment label instructions.

The water temperature for all rinse cycles is cold. Cold rinses save energy.

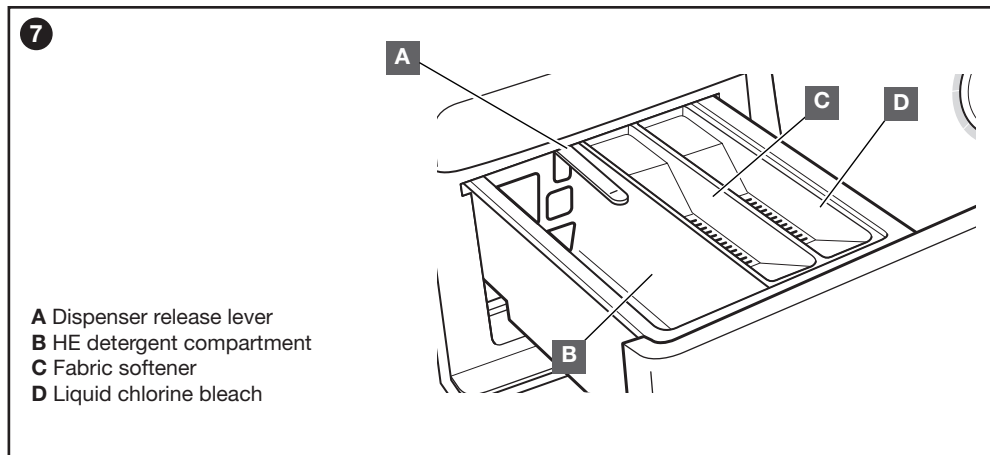
5 START BUTTON

Press and hold to start a cycle, or press once while a cycle is in process to pause it.

6 WASH CYCLE KNOB

Turn the Wash Cycle knob to select a cycle for your laundry load. See "Cycle Guide" for detailed descriptions of cycles that best suit your load.

CONTROL PANEL AND FEATURES (CONT.)



7 SMART DISPENSE DRAWER

The three compartments in the dispenser allow loading of all laundry products before the washer is started. The products will be dispensed into the wash at the optimal time for high-performance cleaning. The bleach release system is included in the detergent advantage system. The detergent is added at the beginning of the cycle, and the bleach is added after the enzymes have had a chance to do their cleaning. The fabric softener is dispensed in the rinse cycle or in the 2ND RINSE, if selected. The Detergent Advantage System Dispenser tray is easily removed for cleaning.

A Dispenser Release Lever

B High Efficiency "HE" detergent compartment

Add liquid or powdered HE detergent to this compartment for your main wash cycle.

- Powdered color-safe bleach may be added to this compartment along with powdered HE detergent.

C Liquid chlorine bleach compartment

Automatically dilutes and dispenses liquid chlorine bleach at the optimum time during the first rinse after the wash cycle. This compartment cannot dilute powdered bleach.

D Liquid fabric softener compartment

Automatically dilutes and dispenses liquid fabric softener at the optimum time in the cycle.

- Use only liquid fabric softener in this dispenser.

Choosing the Right Detergent

Use only High Efficiency detergents. The package will be marked "HE" or "High Efficiency." Low-water washing creates excessive sudsing with a non-HE detergent. Using non-HE detergent will likely result in longer cycle times and reduced rinsing performance. It may also result in component failure and, over time, build-up of mold or mildew. HE detergents are made to produce the right amount of suds for the best performance. Follow the manufacturer's instructions to determine the amount of detergent to use.



Use only High Efficiency (HE) detergent.

CYCLE GUIDE

Choose Wash Cycles by rotating the Cycle Selector Knob to the desired cycle. Each cycle is designed for different types of fabric and soil levels.

- Each cycle has a default cycle time and temperature level, and may have preset options. The preset settings provide the recommended fabric care for the selected cycle.
- The preset settings can be changed anytime before START is pressed. Not all options and modifiers (temperature level, spin options) are available with all cycles. Press and hold START (for approximately 3 seconds) to continue the cycle.

Items to wash:	Cycle:	Estimated Time* (hr:min):	Temp. Level†:	Spin Speed:	Available Options:	Cycle Details:
Normally soiled cotton and linens	Normal	0:50	Warm	High	Delay Start Prewash 2nd Rinse ¹ Max Extract Low Spin	Use this cycle to wash loads of normally soiled cottons and linens. This cycle has high-speed spin.
Small loads of 2–3 lightly soiled cotton, polyester, nylon and cotton blends	Rapid Wash	0:30	Warm	High	Delay Start Prewash 2nd Rinse ¹ Wrinkle Prevent ¹ Max Extract Low Spin	Use this cycle to wash small loads of 2–3 lightly soiled garments that are needed in a hurry. This cycle combines a shortened wash time and high-speed spin to shorten drying time. Large wash loads will result in the washer increasing the wash time.
Curtains and delicate clothing, dresses, skirts, shirts and blouses	Delicates	0:37	Warm	Low	Delay Start Prewash 2nd Rinse ¹ Wrinkle Prevent ¹ Low Spin	Use this cycle to wash sheer fabrics and lingerie. This cycle has low-speed spin for gentle fabric care. Use mesh garment bags to wash undergarments such as underwire bras, items with strings, and small items such as socks.
No clothes, use affresh® Washer Cleaner or chlorine bleach	Clean Washer	1:15	Hot	High	Delay Start	Use the Clean Washer cycle once a month to keep the inside of your washer fresh and clean. This cycle uses a higher water level. Use with affresh® Washer Cleaner tablet or liquid chlorine bleach to thoroughly clean the inside of your washer. This cycle should not be interrupted. See “Washer Care.” IMPORTANT: Do not place garments or other items in the washer during the Clean Washer cycle. Use this cycle with an empty wash drum.
All loads	Drain/Spin	0:18	N/A	High	Delay Start Max Extract Low Spin	Use this cycle to drain your washer or to drain and spin your wash load. The spin speed is preset to HIGH.
All loads	Rinse/Spin	0:24	Cold	High	Delay Start 2nd Rinse ¹ Max Extract Low Spin	Use this cycle to get a rinse and spin only. This cycle has high-speed spin. Rinse/Spin is useful for loads that need rinsing only and for adding fabric softener to a load using the fabric softener dispenser.
Heavily soiled underwear, towels, shirts, etc., made of cotton	Heavy Duty	1:10	Warm	High	Delay Start Prewash 2nd Rinse ¹ Max Extract Low Spin	Use this cycle to wash loads of sturdy, colorfast fabrics and heavy soiled garments. This cycle combines a longer wash time and high-speed spin to shorten drying times.
Normally soiled permanent press blends and synthetic fabrics	Wrinkle Control	0:45	Warm	Low	Delay Start Prewash 2nd Rinse ¹ Wrinkle Prevent ¹ Max Extract Low Spin	Use this cycle to wash loads of permanent press blends and synthetic fabrics. This cycle has a load cooling process to reduce wrinkling.

* The cycle times vary automatically based on your water pressure, water temperature, detergent, and clothes load. The cycle time will be extended if oversudsing occurs or the load is unbalanced.

† All rinses are cold.

¹ You cannot select 2nd Rinse and Wrinkle Prevent for the same load.

USING YOUR WASHER

⚠ WARNING



Fire Hazard

Never place items in the washer that are dampened with gasoline or other flammable fluids.

No washer can completely remove oil.

Do not dry anything that has ever had any type of oil on it (including cooking oils).

Doing so can result in death, explosion, or fire.

⚠ WARNING



Electrical Shock Hazard

Plug into a grounded 3 prong outlet.

Do not remove ground prong.

Do not use an adapter.

Do not use an extension cord.

Failure to follow these instructions can result in death, fire, or electrical shock.

Choosing the Right Detergent

Use only High Efficiency detergents. The package will be marked "HE" or "High Efficiency." Low-water washing creates excessive sudsing with a non-HE detergent. Using non-HE detergent will likely result in longer cycle times and reduced rinsing performance. It may also result in component failure and, over time, build-up of mold or mildew. HE detergents are made to produce the right amount of suds for the best performance. Follow the manufacturer's instructions to determine the amount of detergent to use.

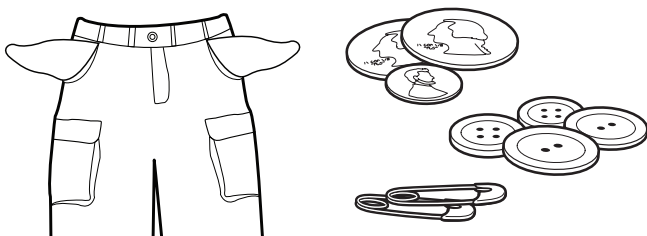


Use only High Efficiency (HE) detergent.

First wash cycle without laundry

Before washing clothes for the first time, fill the HE liquid dispenser cartridge and install in the dispenser drawer. Choose the RAPID WASH cycle and run it without clothes. Use only HE detergent. This initial cycle serves to ensure the interior is clean and the dispenser drawer is ready for use before washing clothes.

1. Sort and prepare your laundry

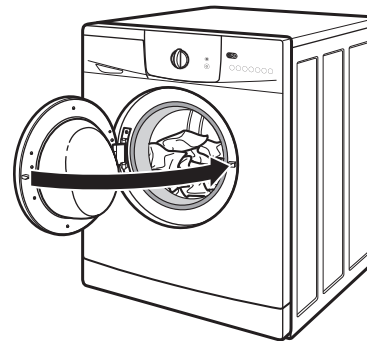


Sort items by recommended cycle, water temperature, and colorfastness. Separate heavily soiled items from lightly soiled. Separate delicate items from sturdy fabrics. Treat stains promptly and check for colorfastness by testing stain remover products on an inside seam.

IMPORTANT:

- Empty pockets. Loose change, buttons, or any small object can plug pumps and may require a service call.
- Close zippers, fasten hooks, tie strings and sashes, and remove non-washable trim and ornaments.
- Mend rips and tears to avoid further damage to items during washing.
- Turn knits inside out to prevent pilling. Separate lint-takers from lint-givers. Synthetics, knits, and corduroy fabrics will pick up lint from towels, rugs, and chenille fabrics.
- Do not dry garments if stains remain after washing, because heat can set stains into fabric.
- Always read and follow fabric care labels and laundry product instructions. Improper usage may cause damage to your garments.

2. Load laundry into washer



Open the washer door. Place a load of sorted clothes loosely in the washer. Items need to move freely for best cleaning and to reduce wrinkling and tangling. Close the washer door by pushing it firmly until the latch clicks.

NOTE: There is a routine at the beginning of each cycle to avoid unintended use of the washer. This routine will take approximately 1 minute to complete before the selected wash cycle begins.

- Depending on load type and cycle, the washer can be fully loaded, but not tightly packed. Washer door should close easily. See "Cycle Guide" for loading suggestions.
- Mix large and small items and avoid washing single items. Load evenly.
- Wash small items in mesh garment bags. For multiple items, use more than one bag and fill bags equally.

Using the Dispense Drawer

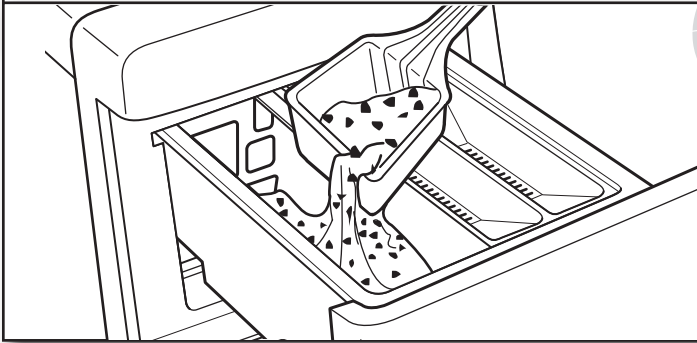
To use the dispenser drawer:

1. Open the dispenser drawer.
2. Add laundry products as described in steps 3–6.
3. Slowly close the dispenser drawer. Make sure it is completely closed.

NOTES:

- A small amount of water may remain in the dispensers from the previous wash cycle. This is normal.
- See “About Detergent Concentration” for information on detergent concentration.

3. Add HE detergent to dispenser



Add liquid or powdered HE detergent to this compartment for your main wash cycle.

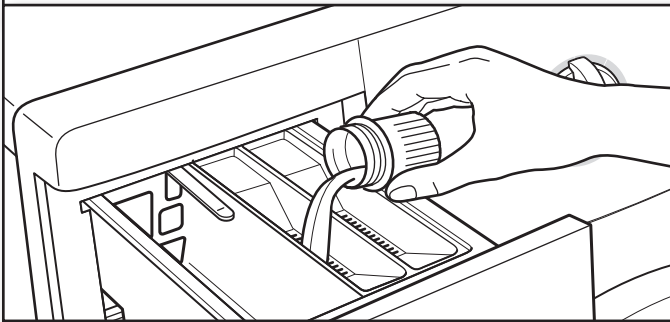
- Powdered color-safe bleach may be added to the Main Wash compartment along with the powdered detergent.

- Follow the manufacturer's instructions to determine the amount of detergent to use. *Use only High Efficiency (HE) detergent.*



NOTE: Overfilling could cause an oversudsing condition.

4. Add fabric softener to dispenser (if desired)



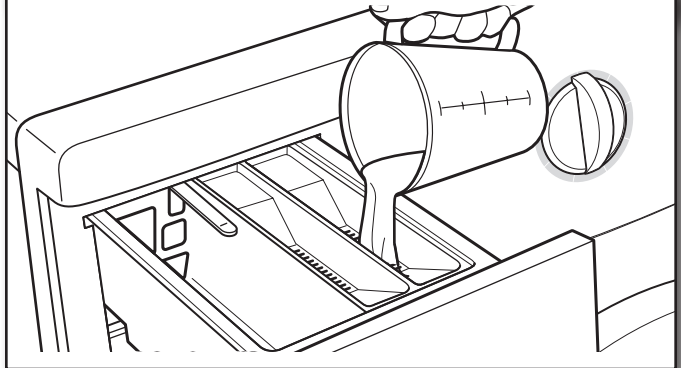
Pour a measured amount of liquid fabric softener into liquid fabric softener compartment. Always follow manufacturer's directions for correct amount of fabric softener based on your load size.

Fabric softener will be automatically dispensed in the final rinse or in the 2ND RINSE, if selected.

IMPORTANT: Do not overfill, dilute, or use more than 1/2 cup (120 mL) of fabric softener. Do not fill past the MAX line. Overfilling dispenser will cause fabric softener to immediately dispense into washer.

- Do not spill or drip any fabric softener onto the clothes.
- Do not use liquid fabric softener dispenser balls in this washer. They will not dispense correctly.
- Do not fill beyond the “MAX” level.

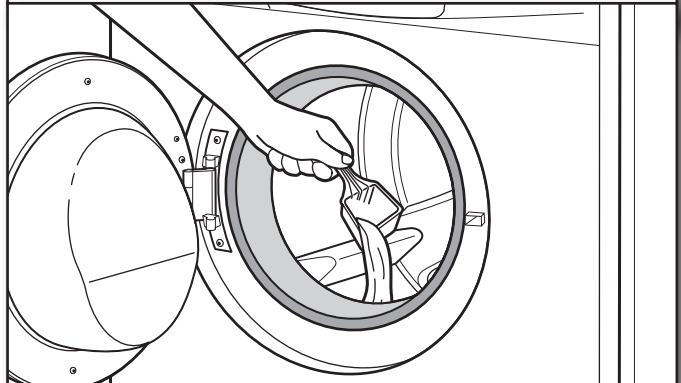
5. Add liquid chlorine bleach to dispenser (if desired)



Add liquid chlorine bleach to the bleach compartment. Do not overfill, dilute, or use more than 1/2 cup (120 mL). Do not use color-safe bleach or Oxi in the same cycle with liquid chlorine bleach. The bleach will be automatically diluted and dispensed at the best time during the first rinse after the wash cycle.

- Always measure liquid chlorine bleach. Use a measuring cup with a pour spout; do not guess.
- Do not fill beyond the “MAX” level. Overfilling could cause garment damage.
- Do not add color-safe bleach or oxi-product to this dispenser. Add Oxi product or color-safe bleach to the drum before loading clothes. Follow garment wash label care instructions.

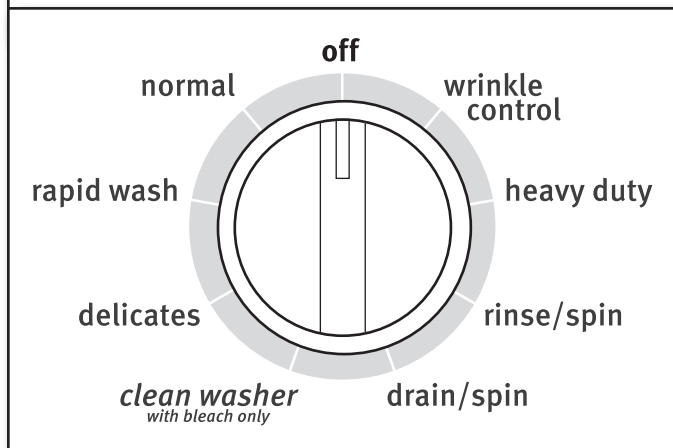
6. Add Oxi or color safe bleach (if desired)



Oxi-type boosters or color-safe bleach can be added to the drum prior to adding laundry.

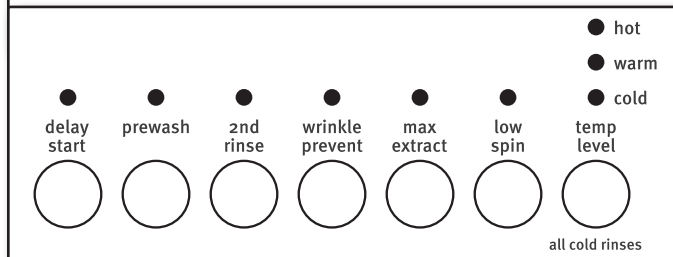
USING YOUR WASHER (CONT.)

7. Turn Cycle Selector to start washer



Turn on the washer by turning the Cycle Selector and selecting one of the cycles. The indicator light for the selected cycle will illuminate. When selecting a Wash Cycle, the preset modifiers, options and temperature level for the selected cycle will illuminate. The preset settings provide the recommended fabric care for the selected cycle. See "Cycle Guide."

8. Select desired options



Not all options are available with all cycles. See "Control Panel and Features."

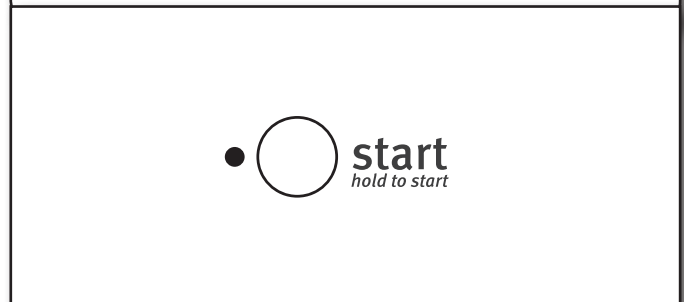
Cycles and options can be changed anytime before START is pressed.

Once you select a cycle, select the desired temperature level.

NOTE: Always follow fabric care label instructions to avoid damage to your garments.

Wash Temp	Suggested Fabrics
Hot Some cold water is added to save energy. This will be cooler than your hot water heater setting.	Whites and pastels Durable garments Heavy soils
Warm Some cold water will be added, so this will be cooler than what your previous washer provided.	Bright colors Moderate to light soils
Cold Warm water may be added to assist in soil removal and to help dissolve detergents.	Dark colors that bleed or fade Light soils

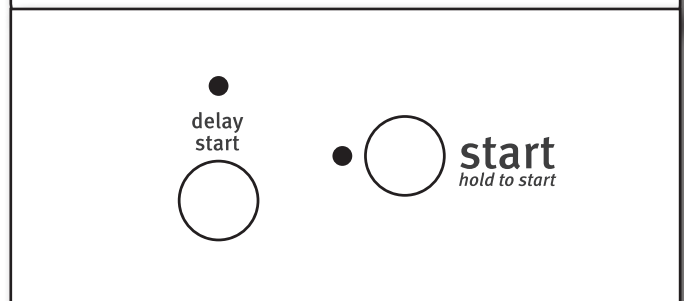
9. Press and hold START to begin wash cycle immediately



Press and hold START (for approximately 3 seconds).

- If you do not press START within 5 minutes of choosing a cycle, the washer display automatically shuts off.
- When the wash cycle is complete, the DONE status light illuminates, the door unlocks and the wash load can be removed from the washer. The washer goes into standby mode automatically after the door is opened or 1 hour after the cycle is complete and all displays will go off.
- To power down the washer manually after the wash cycle is complete, switch knob to Off position.

10. Press DELAY START and START to begin wash cycle later



Press DELAY START until the desired delay time (in hours) is displayed. Select START. The countdown to the wash cycle will show in the display window.

IMPORTANT: When delaying a cycle, use only powdered detergents in the main wash compartment since liquid detergents may seep out of the compartment during the delay before the wash cycle begins.

To restart the washer at any time, press and hold CANCEL/DRAIN.



WASHER MAINTENANCE

WASHER CARE

Recommendations to Help Keep Your Washer Clean and Performing at its Best

1. Always use High Efficiency (HE) detergents and follow the HE detergent manufacturer's instructions regarding the amount of HE detergent to use. Never use more than the recommended amount because that may increase the rate at which detergent and soil residue accumulate inside your washer, which in turn may result in undesirable odor.
2. Use warm or hot water washes sometimes (not exclusively cold water washes), because they do a better job of controlling the rate at which soils and detergent accumulate.
3. Always leave the washer door slightly ajar between uses to help dry out the washer and prevent the buildup of odor-causing residue.

Cleaning Your Front Loading Washer

Read these instructions completely before beginning the routine cleaning processes recommended below. This Washer Maintenance Procedure should be performed, at a minimum, once per month or every 30 wash cycles, whichever occurs sooner, to control the rate at which soils and detergent may otherwise accumulate in your washer.

Cleaning the Door Seal

1. Open the washer door and remove any clothing or items from the washer.
2. Inspect the gray colored seal between the door opening and the drum for stained areas or soil buildup. Pull back the seal to inspect all areas under the seal and to check for foreign objects.
3. If stained areas or soil buildup are found, wipe down these areas of the seal using either of the following two procedures:
 - a. **Affresh® Grit Grabber™ Cloth Procedure:**
 - i. When the cycle is complete, gently pull back the rubber door seal and clean the entire surface with the rough side of the Grit Grabber™ cloth.
 - b. **Dilute Liquid Chlorine Bleach Procedure:**
 - i. Mix a dilute bleach solution, using 3/4 cup (177 mL) of liquid chlorine bleach and 1 gallon (3.8 L) of warm tap water.
 - ii. Wipe the seal area with the dilute solution, using a damp cloth.
 - iii. Let stand 5 minutes.
 - iv. Wipe down area thoroughly with a dry cloth and let washer interior air dry with door open.

IMPORTANT:

- Wear rubber gloves when cleaning with bleach.
- Refer to the bleach manufacturer's instructions for proper use.

WASHER CARE (cont.)

Cleaning the Inside of the Washer

This washer has a special cycle that uses higher water volumes in combination with affresh® Washer Cleaner or liquid chlorine bleach to thoroughly clean the inside of the washer. Steam washer models also utilize steam to enhance cleaning in this special cycle.

NOTE: Read these instructions completely before beginning the cleaning process.

Begin procedure

1. Affresh® Washer Cleaner Cycle Procedure (Recommended):

- a. Open the washer door and remove any clothing or items.
- b. Add an affresh® Washer Cleaner tablet to the washer drum.
- c. Do not add the affresh® Washer Cleaner tablet to the dispenser drawer.
- d. Do not add any detergent or other chemical to the washer when following this procedure.
- e. Close the washer door.
- f. Select the CLEAN WASHER cycle.
- g. Press the START button to begin the cycle. The Clean Washer Cycle Operation is described below.

2. Chlorine Bleach Procedure:

- a. Open the washer door and remove any clothing or items.
 - b. Open the dispenser drawer and add 2/3 cup (160 mL) of liquid chlorine bleach to the bleach compartment.
- NOTE:** Use of more liquid chlorine bleach than is recommended above could cause product damage over time.
- c. Close the washer door and the dispenser drawer.
 - d. Do not add any detergent or other chemical to the washer when following this procedure.
 - e. Close the washer door.
 - f. Select the CLEAN WASHER cycle.
 - g. Press the START button to begin the cycle. The Clean Washer Cycle Operation is described below.

Description of Clean Washer Cycle Operation:

1. The Clean Washer cycle will determine whether clothing or other items are in the washer.
2. If no items are detected in the washer, it will proceed to step 3.
 - a. If any items are detected in the washer, "rL" (remove load) will be displayed, and the washer "Controls Lock" lights will remain lit. The door will unlock. Open washer and remove any garments from the washer drum.
 - b. Press "CANCEL/DRAIN" to clear the "rL" code.
 - c. Press "START" to restart the cycle.
3. After the cycle is complete, leave the door open slightly to allow for better ventilation and drying of the washer interior.

Cancellation of Clean Washer Cycle Operation:

If the Clean Washer cycle is canceled by the user after it has been initiated, it may take up to 30 minutes for the washer to purge any affresh® cleaner, chlorine bleach, or other chemistry from the wash system and to adequately rinse any remaining chemistry. The washer door will remain locked until the cancellation process has been completed. This ensures no cleaning chemistry will be carried over to the next wash cycle and reduces the potential for damage to subsequent loads of laundry or to the washer itself.

WASHER MAINTENANCE

WASHER CARE (cont.)

Clean Washer Cycle Cancellation Procedure:

1. Press the "CANCEL/DRAIN" button on the washer two times.
2. Washer will begin to drain and rinse away the remaining cleaning chemistry.
3. The cycle will complete the cancellation process in approximately 30 minutes or less.
4. The washer then can be used to either repeat the Clean Washer cycle or to wash laundry using one of the regular wash cycles selected by the user.

Cleaning the Outside of the Washer

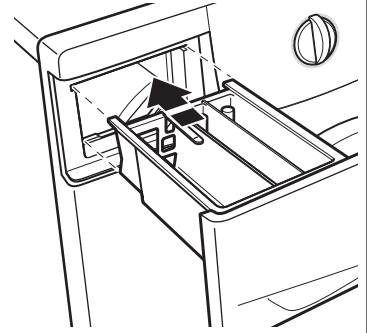
Use a soft, damp cloth or sponge to wipe up any spills. Occasionally wipe the outside of your washer to help keep it looking new.

IMPORTANT: To avoid damaging the washer's finish, do not use abrasive products.

WASHER CARE (cont.)

To replace:

Replace the inserts and return the dispenser to the drawer.

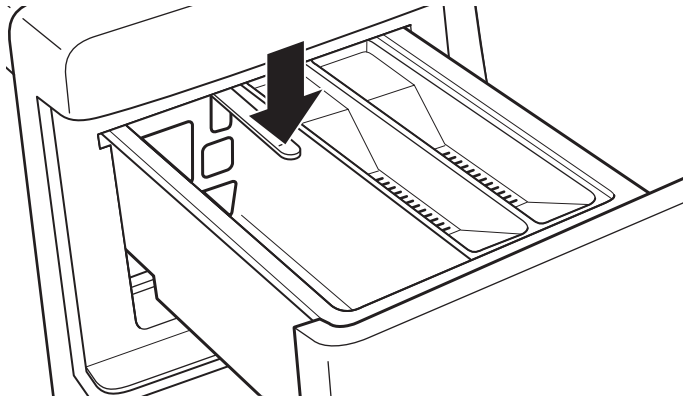


WASHER CARE (cont.)

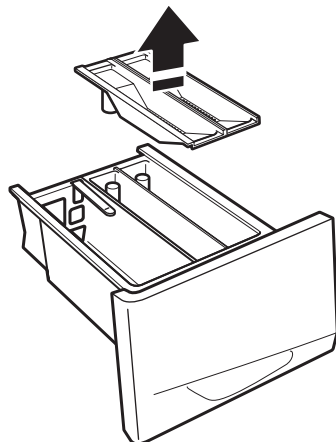
Removing the Dispenser

To remove:

1. Unlock the dispenser drawer by pressing the Dispenser Release Lever (see "Control Panel and Features"). Remove the drawer.



2. Remove the inserts (the siphon from the softener and bleach compartments).
3. You may find laundry product residue leftover in your dispenser compartments. To remove residue, wash the parts under running water.



NOTE: Do not wash components in the dishwasher.

WASHER MAINTENANCE

NON-USE AND VACATION CARE

Operate your washer only when you are home. If moving, or not using your washer for a period of time, follow these steps:

1. Unplug or disconnect power to washer.
2. Turn off water supply to washer to avoid flooding due to water pressure surges.
3. Clean the dispenser. See “Washer Care.”

WINTER STORAGE CARE

IMPORTANT: To avoid damage, install and store washer where it will not freeze. Because some water may stay in hoses, freezing can damage washer. If storing or moving during freezing weather, winterize your washer.

To winterize washer:

1. Shut off both water faucets, disconnect and drain water inlet hoses.
2. Put 1 qt. (1 L) of R.V.-type antifreeze in basket and run washer on Drain/Spin cycle for about 1 minute to mix antifreeze and remaining water.
3. Unplug washer or disconnect power.

IMPORTANT: To reduce risk of hose failure, replace inlet hoses every five years and periodically inspect for kinks, cuts, wear or water leaks.

HELPFUL TIP: When replacing your inlet hoses, mark replacement date on label with a permanent marker.

TRANSPORTING YOUR WASHER

1. Shut off both water faucets. Disconnect and drain water inlet hoses. Clip hoses to rear panel of washer.
2. If washer will be moved during freezing weather, follow WINTER STORAGE CARE directions before moving.
3. Disconnect drain hose from drain system and attach to rear panel clips.
4. Unplug power cord.
5. Place inlet hoses and drain hose inside washer basket.
6. Bundle power cord with a rubber band or cable tie to keep it from hanging onto the ground.

IMPORTANT: Call for service to install new transport bolts. Do not reuse transport bolts. Washer must be transported in the upright position. To avoid structural damage to your washer, it must be properly set up for relocation by a certified technician.

⚠ WARNING



Electrical Shock Hazard

Plug into a grounded 3 prong outlet.

Do not remove ground prong.

Do not use an adapter.

Do not use an extension cord.

Failure to follow these instructions can result in death, fire, or electrical shock.

REINSTALLING/USING WASHER AGAIN

To reinstall washer after non-use, vacation, winter storage, or moving:

1. Refer to “Installation Instructions” to locate, level, and connect washer.
2. Before using again, run washer through the following recommended procedure:

To use washer again:

1. Flush water pipes and hoses. Reconnect water inlet hoses. Turn on both water faucets.
2. Plug in washer or reconnect power.
3. Run washer through Normal cycle to clean washer and remove antifreeze, if used. Use only HE detergent. Use half the manufacturer’s recommended amount for a medium-size load.

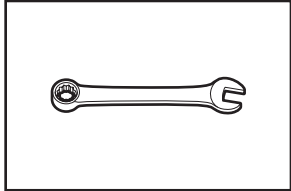
INSTALLATION INSTRUCTIONS

INSTALLATION REQUIREMENTS

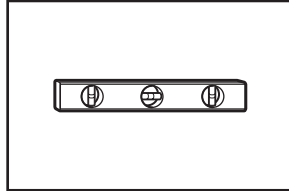
Tools and Parts

Gather required tools and parts before starting installation.

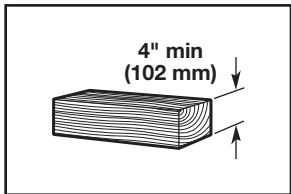
Tools needed:



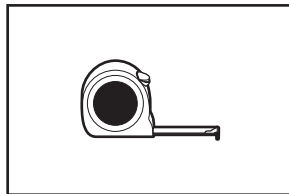
Adjustable or open end wrenches 15/32" (12 mm) and 1/2" (13 mm)



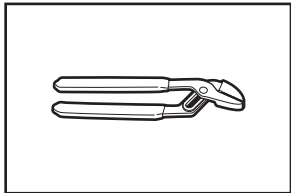
Level



Wood block



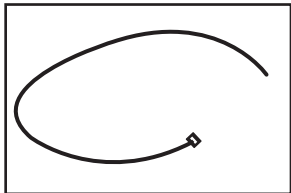
Ruler or measuring tape



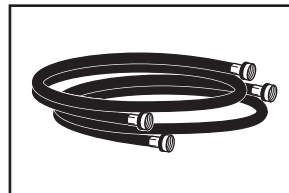
Pliers that open to 1 1/16" (39.5 mm)

Parts supplied:

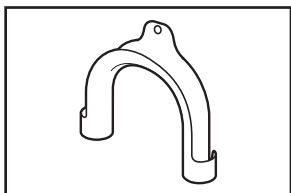
NOTE: All parts supplied for installation are in the washer basket.



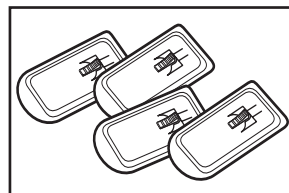
Cable tie



Inlet hoses (2) with washers

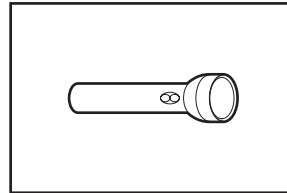


U-shaped hose form

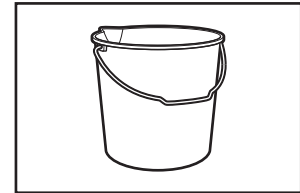


Transport bolt hole plugs (4)

Optional tools:



Flashlight

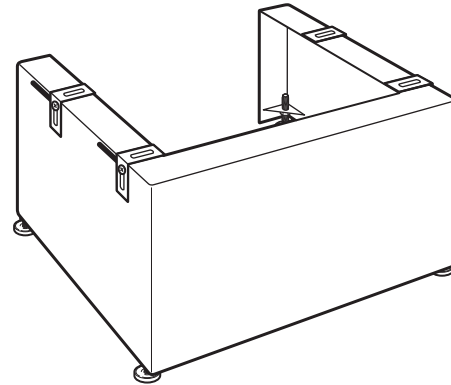


Bucket

Options:

Pedestal:

You have the option of purchasing a pedestal for this washer. You may select an 11.8" (300 mm) pedestal. The pedestal will add to the total height of the washer.



Pedestal Height	Approximate Height with Washer	Color	Model Number
11.8" (300 mm)	44.7" (1135 mm)	White	LAB0050PQ

Alternate parts: (Not supplied with washer)

Your installation may require additional parts. To order, please refer to toll-free numbers on the back page of this manual.

If you have:

Laundry tub or standpipe taller than 55" (1.4 m)

Overhead sewer

Floor drain system

Drain hose too short

Water faucets beyond reach of fill hoses

You will need:

Sump pump system (if not already available)

Standard 20 gal. (76 L) 30" (762 mm) tall drain tub or utility sink, sump pump and connectors (available from local plumbing suppliers)

Siphon Break Kit Part Number 285834
Connector Kit (x2) Part Number 285835
Additional Drain Hose Part Number 8318155

Extension Drain Hose Part Number 285863
Connector Kit Part Number 285835

2 longer water fill hoses:
6 ft (1.8 m) Part Number 76314
10 ft (3.0 m) Part Number 350008

Stack Kit:

Are you planning to stack your washer and dryer? To do so you will need to purchase a Stack Kit.

To order, call the dealer from whom you purchased your washer or refer to the "Assistance or Service" section. Ask for Part Number W10178021.

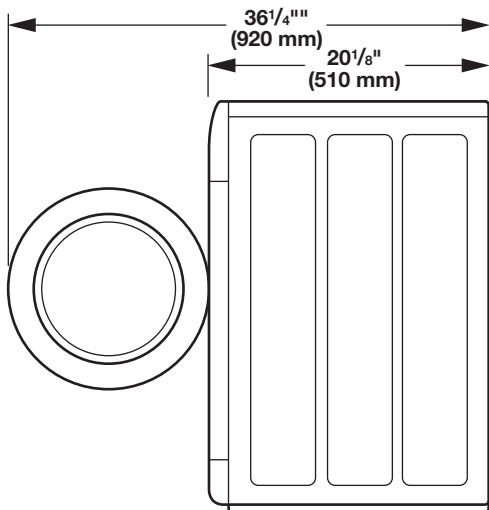
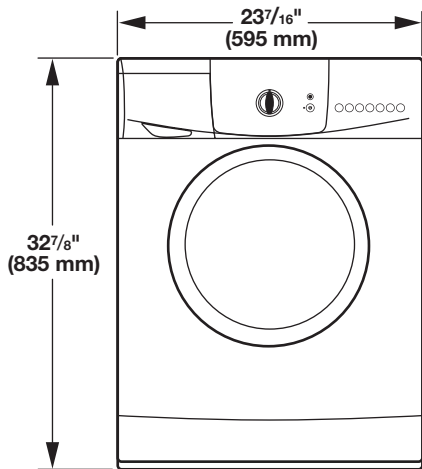
LOCATION REQUIREMENTS

Proper installation is your responsibility.

You will need:

- A water heater set to 120° F (49° C).
- A grounded electrical outlet located within 5.4 ft (1.7 m) of power cord on back of washer.
- Hot and cold water faucets located within 4 ft (1.2 m) of hot and cold water fill valves on washer, and water pressure of 20–100 psi (137.9–689.6 kPa).
- A level floor with maximum slope of 1" (25 mm) under entire washer. Installing on carpet or surfaces with foam backing is not recommended.
- Floor must support washer's total weight (with water and load) of 400 lbs (180 kgs).

IMPORTANT: Do not install, store or operate washer where it will be exposed to weather or in temperatures below 32° F (0° C). Water remaining in washer after use may cause damage in low temperatures. See "Washer Maintenance" for winterizing information.

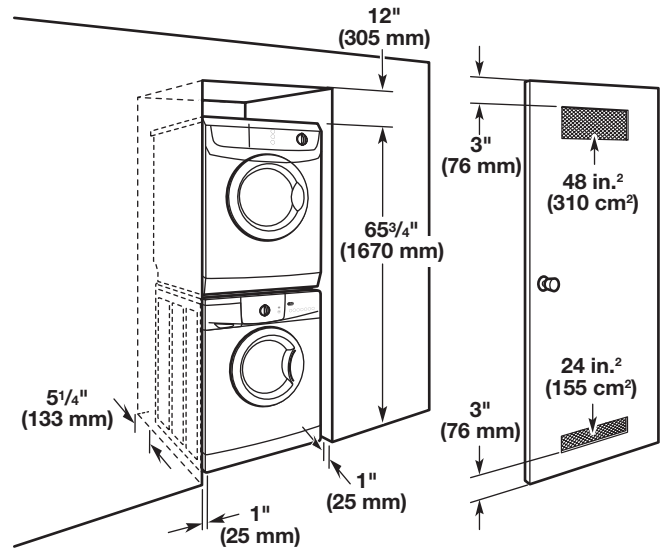


All dimensions show recommended spacing allowed, except for closet door ventilation openings which are the minimum required.

For each arrangement, consider allowing more space for ease of installation and servicing, and spacing for companion appliances and clearances for walls, doors, and floor moldings.

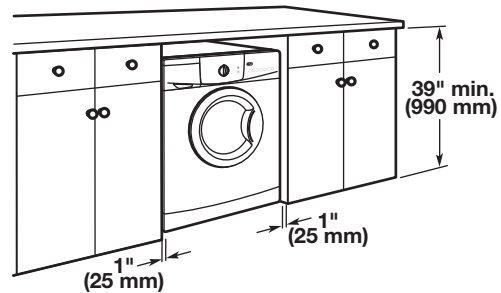
Space must be large enough to allow door to fully open. Add spacing of 1" (25 mm) on all sides of washer to reduce noise transfer. If a closet door or louvered door is installed, top and bottom air openings in door are required.

Recessed area or closet installation (stacked washer and dryer):

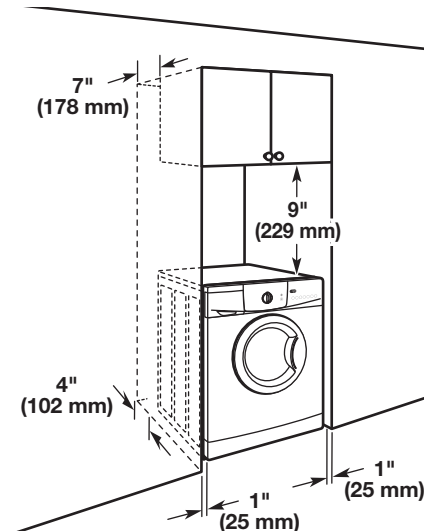


*External exhaust elbow requires additional space.

Custom under counter installation:

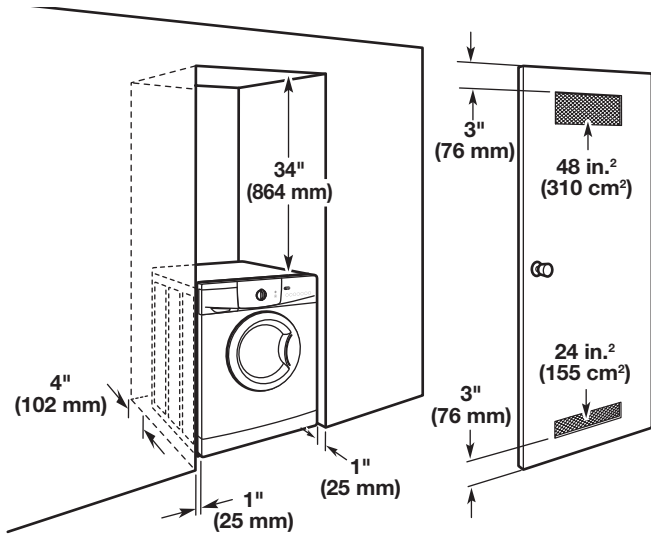


Custom cabinet installation:

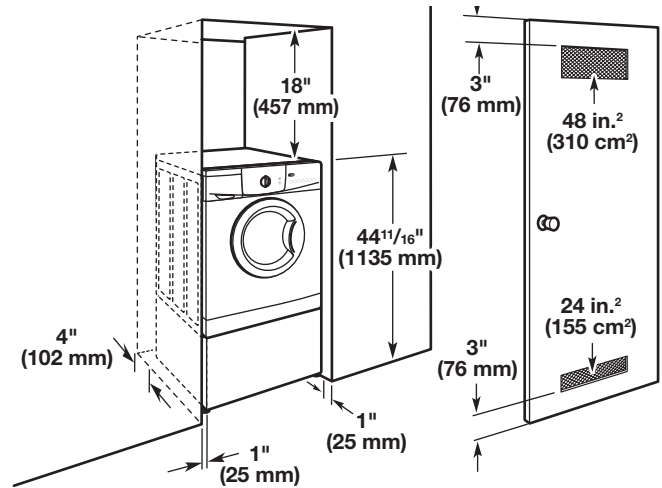


LOCATION REQUIREMENTS (cont.)

Recessed area or closet installation (washer only):



Recessed area or closet installation (washer on pedestal):

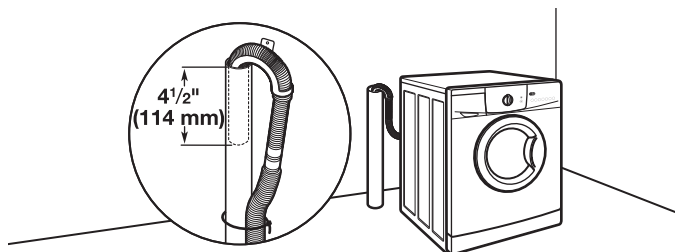


DRAIN SYSTEM

Drain system can be installed using a floor drain, wall standpipe, floor standpipe, or laundry tub. Select method you need.

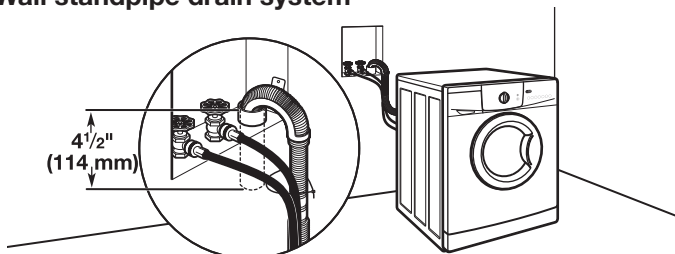
IMPORTANT: To avoid siphoning, only 4½" (114 mm) of drain hose should be inside standpipe. Always secure drain hose with cable tie.

Floor standpipe drain system



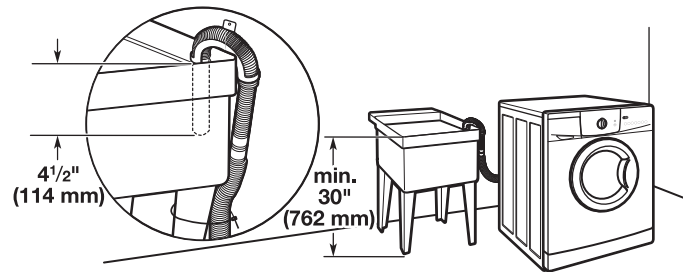
Minimum diameter for a standpipe drain: 2" (51 mm). Minimum carry-away capacity: 17 gal. (64 L) per minute. A 1/4" (6 mm) diameter to 1" (25 mm) diameter Standpipe Adapter Kit is available (Part Number 3363920). Top of standpipe must be at least 30" (762 mm) high; install no higher than 55" (1.4 m) from bottom of washer. If you have an overhead sewer and need to pump higher than 96 inches, a sump pump and associated hardware are needed. See "Alternate Parts".

Wall standpipe drain system



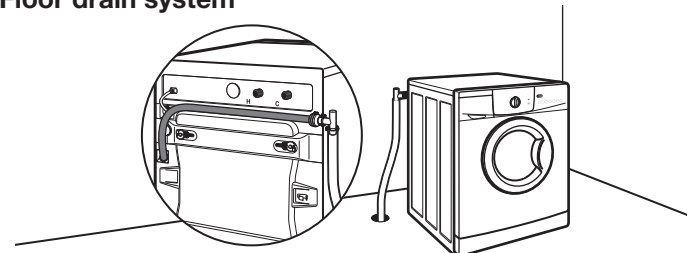
See requirements for floor standpipe drain system.

Laundry tub drain system



Minimum capacity: 20 gal. (76 L). Top of laundry tub must be at least 30" (762 mm) above floor; install no higher than 55" (1.4 m) from bottom of washer.

Floor drain system



Floor drain system requires a Siphon Break Kit (Part Number 285834), 2 Connector Kits (Part Number 285835), and an Extension Drain Hose (Part Number 285863) that may be purchased separately. See "Alternate Parts". Minimum siphon break height: 28" (710 mm) from bottom of washer. (Additional hoses may be needed.)

ELECTRICAL REQUIREMENTS

⚠ WARNING



Electrical Shock Hazard

Plug into a grounded 3 prong outlet.

Do not remove ground prong.

Do not use an adapter.

Do not use an extension cord.

Failure to follow these instructions can result in death, fire, or electrical shock.

- A 120 volt, 60 Hz., AC only, 15- or 20-amp, fused electrical supply is required. A time-delay fuse or circuit breaker is recommended. It is recommended that a separate circuit breaker serving only this appliance be provided.
- This washer is equipped with a power supply cord having a 3-prong grounding plug.
- To minimize possible shock hazard, the cord must be plugged into a mating, 3-prong, grounding-type outlet, grounded in accordance with local codes and ordinances. If a mating outlet is not available, it is the personal responsibility and obligation of the customer to have the properly grounded outlet installed by a qualified electrician.
- If codes permit and a separate ground wire is used, it is recommended that a qualified electrician determine that the ground path is adequate.
- Do not ground to a gas pipe.
- Check with a qualified electrician if you are not sure the washer is properly grounded.
- Do not have a fuse in the neutral or ground circuit.

GROUNDING INSTRUCTIONS

For a grounded, cord-connected washer:

This washer must be grounded. In the event of a malfunction or breakdown, grounding will reduce the risk of electrical shock by providing a path of least resistance for electric current. This washer is equipped with a cord having an equipment-grounding conductor and a grounding plug. The plug must be plugged into an appropriate outlet that is properly installed and grounded in accordance with all local codes and ordinances.

WARNING: Improper connection of the equipment-grounding conductor can result in a risk of electric shock. Check with a qualified electrician or serviceman if you are in doubt as to whether the appliance is properly grounded.

Do not modify the plug provided with the appliance – if it will not fit the outlet, have a proper outlet installed by a qualified electrician.

For a permanently connected washer:

This washer must be connected to a grounded metal, permanent wiring system, or an equipment grounding conductor must be run with the circuit conductors and connected to the equipment-grounding terminal or lead on the appliance.

INSTALLATION INSTRUCTIONS

⚠ WARNING

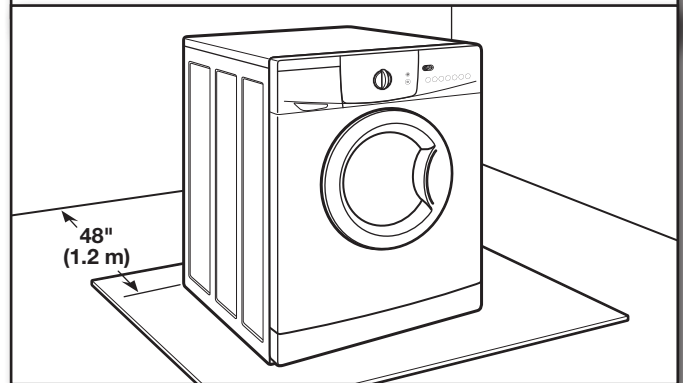
Excessive Weight Hazard

Use two or more people to move and install washer.

Failure to do so can result in back or other injury.

NOTE: To avoid floor damage, set washer onto cardboard before moving it.

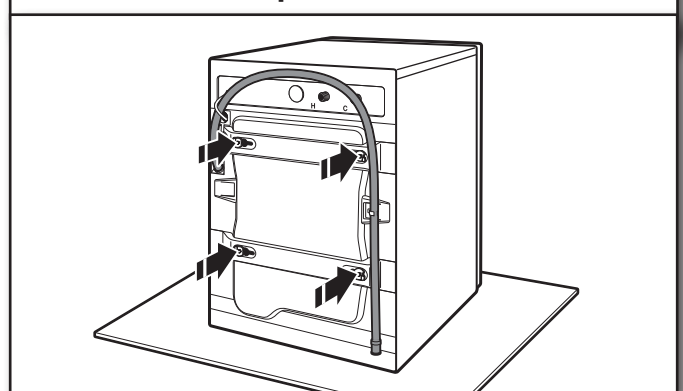
1. Move washer



It is necessary to remove all shipping materials for proper operation and to avoid excessive noise from washer.

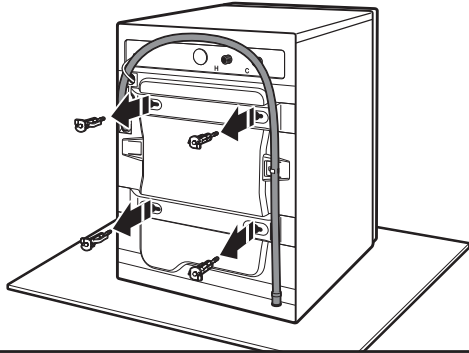
Move washer to within 48" (1.2 m) of its final location. It must be in a fully upright position.

2. Locate transport bolts



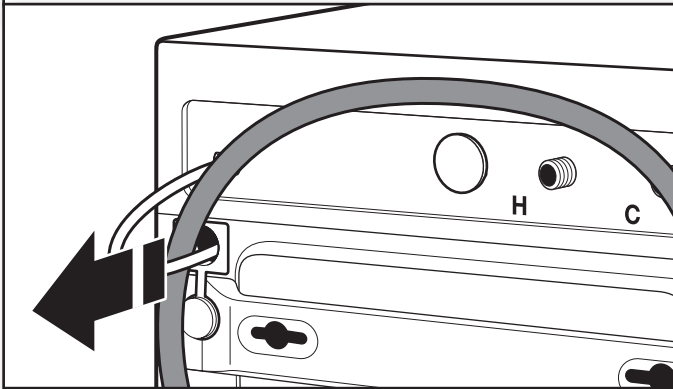
Locate four transport bolts on rear of washer.

3. Remove transport bolts from washer



Loosen bolts with a 15/32" (12 mm) wrench. Once the bolt is loose, move it to the center of the hole and completely pull out the bolt, including the plastic spacer covering the bolt.

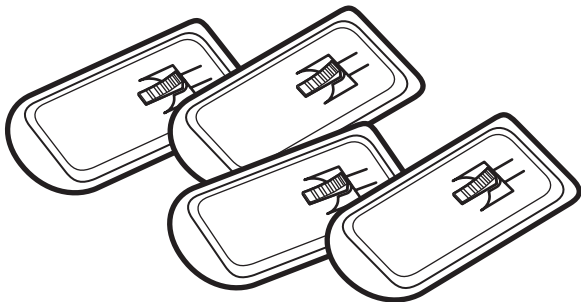
4. Remove power cord



Pull power cord through opening in rear panel.

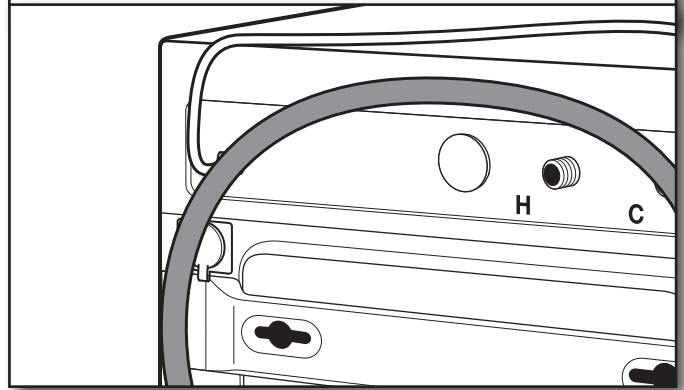
NOTE: If washer is transported at later date, call your local service center to avoid suspension and structural damage, a certified technician must properly set up washer for relocation.

5. Cover bolt holes with transport bolt hole plugs



Close bolt holes on cabinet back with four transport bolt hole plugs included with washer parts.

6. Place power cord over top



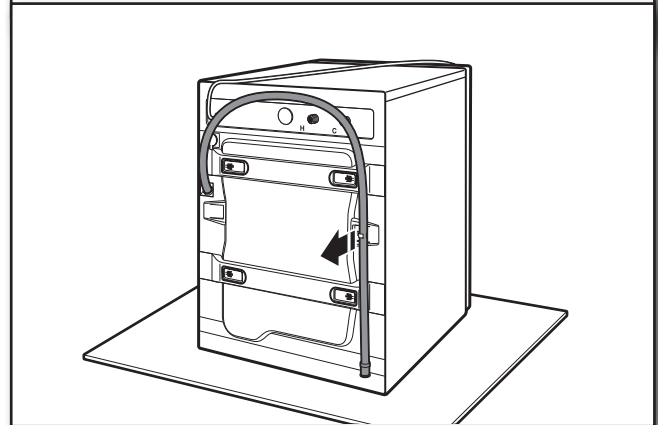
Remove the yellow shipping strap from the cord. Gently place power cord over top of washer to allow free access to back of washer.

IMPORTANT: Do not plug washer in until installation has been completed.

ROUTE DRAIN HOSE

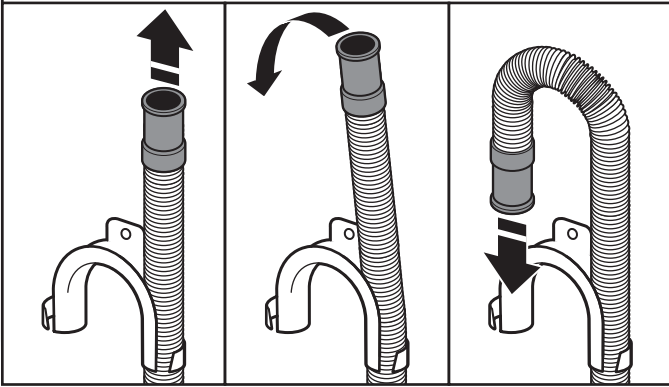
Proper routing of the drain hose protects your floor from damage due to water leakage. Read and follow these instructions.

7. Remove drain hose from washer



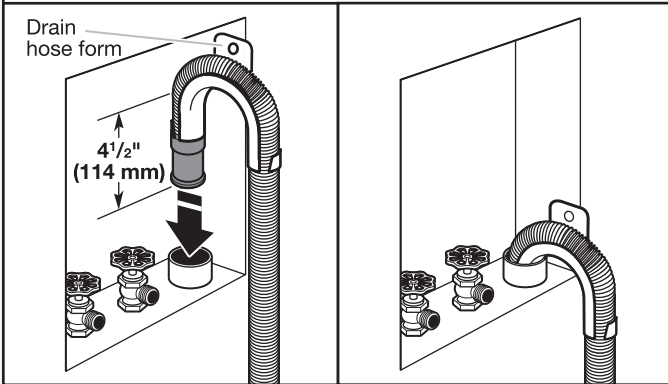
Gently pull the corrugated drain hose from the shipping clips.

8. Connect laundry tub drain or standpipe drain hose form (floor drain installations only)



For floor drain installations, you will need to connect the drain hose form to the end of the drain hose. You may need additional parts with separate directions. See "Alternate Parts".

9. Place drain hose in standpipe



Place hose into standpipe (shown in picture) or over side of laundry tub.

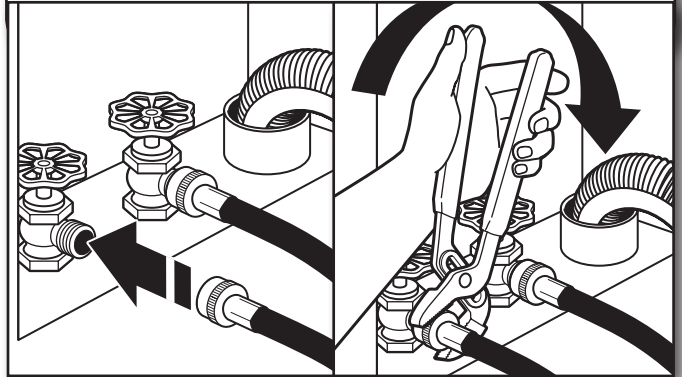
IMPORTANT: Only 4½" (114 mm) of drain hose should be inside standpipe; do not force excess hose into standpipe or lay on bottom of laundry tub. Drain hose form must be used.

CONNECT INLET HOSES

Washer must be connected to water faucets with new inlet hoses with flat washers. Do not use old hoses.

NOTE: Both hoses must be attached and have water flowing to inlet valves. For optimal performance, hot and cold water must be supplied to the washer.

10. Connect inlet hoses to water faucets

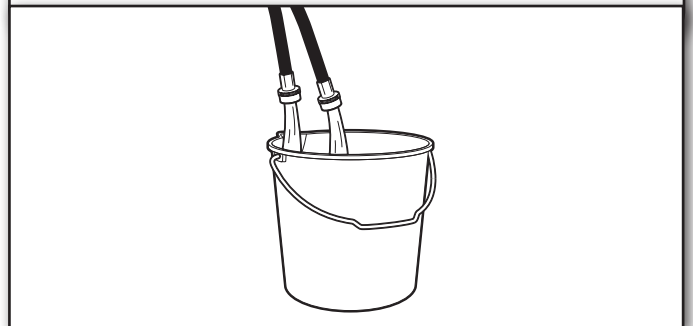


Attach hose to hot water faucet. Screw on coupling by hand until it is seated on washer. Use pliers to tighten couplings an additional two-thirds turn. Repeat this step with second hose for cold water faucet.

IMPORTANT: Do not overtighten or use tape or sealants on valve when attaching to faucets or washer. Damage can result.

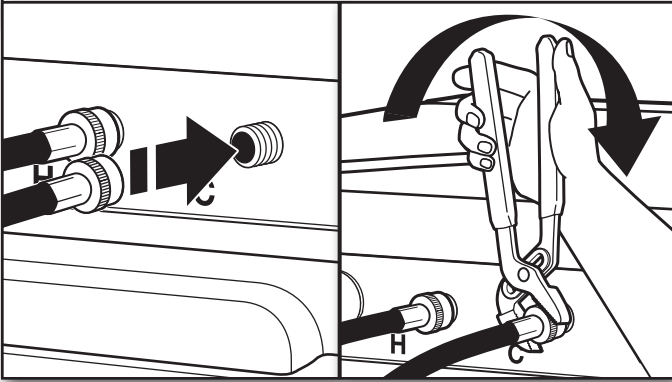
HELPFUL TIP: Make note of which hose is connected to hot water to help in attaching hoses to washer correctly. In most standard configurations, hoses will cross over each other when attached correctly.

11. Clear water lines



Run water for a few seconds through hoses into a laundry tub, drainpipe, or bucket to avoid clogs. Water should run until clear.

12. Connect inlet hoses to washer

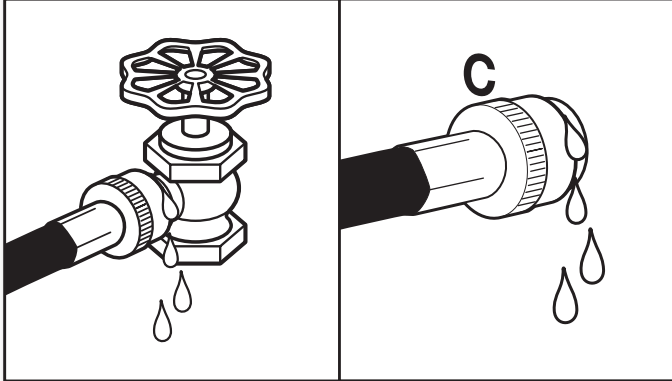


Attach hot water hose to hot water inlet valve. Screw coupling by hand until it is snug. Use pliers to tighten couplings an additional two-thirds turn. Repeat with cold water inlet valve.

IMPORTANT: To reduce risk of hose failure, replace the hoses every 5 years. Record hose installation or replacement dates for future reference.

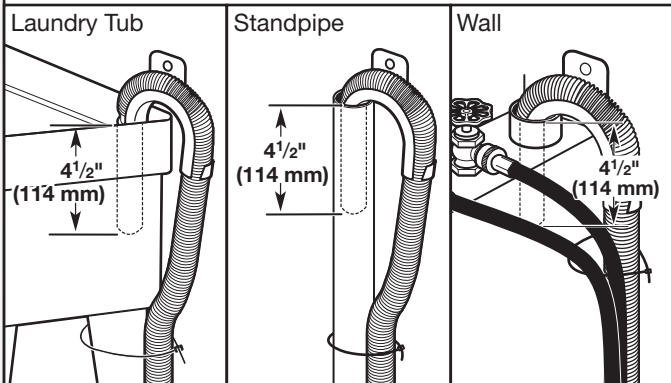
- Periodically inspect and replace hoses if bulges, kinks, cuts, wear, or leaks are found.

13. Check for leaks



Slowly turn on water faucets to check for leaks. A small amount of water may enter washer. It will drain later.

14. Secure drain hose

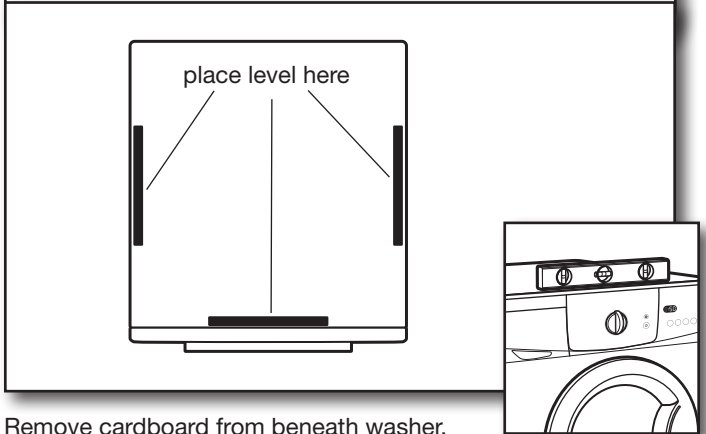


Secure drain hose to laundry tub leg, drain standpipe, or inlet hoses for wall standpipe with cable tie.

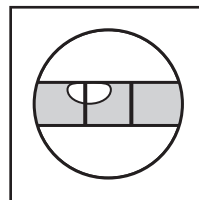
LEVEL WASHER

Leveling your washer properly reduces excess noise and vibration.

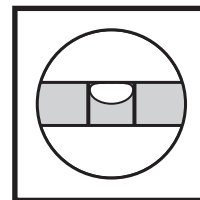
15. Check levelness of washer



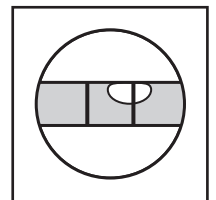
Remove cardboard from beneath washer. Place a level on top edges of washer, checking each side and front. If not level, tip washer and adjust feet up or down as shown in steps 17 and 18, repeating as necessary.



Not Level

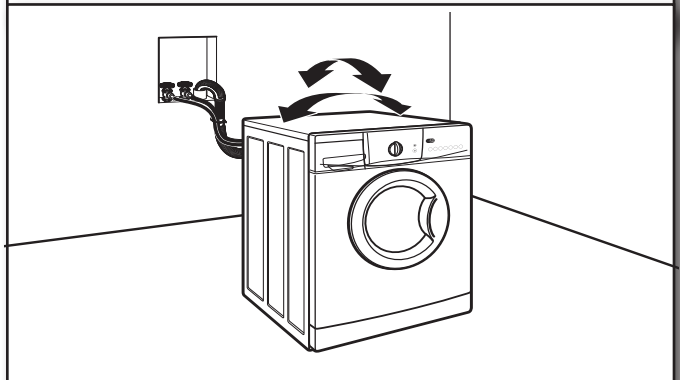


LEVEL



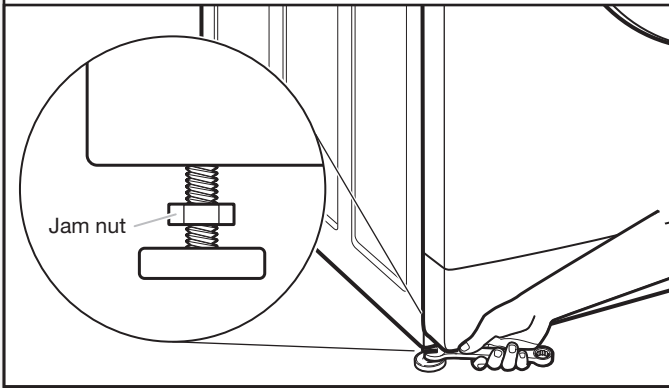
Not Level

16. Rock washer to test foot contact



Grip washer from top and rock back and forth, making sure all four feet are firmly on floor. Repeat, rocking washer from side to side. If washer rocks, go to step 17 and adjust leveling feet. If all four feet are in firm contact with floor, go to Step 18.

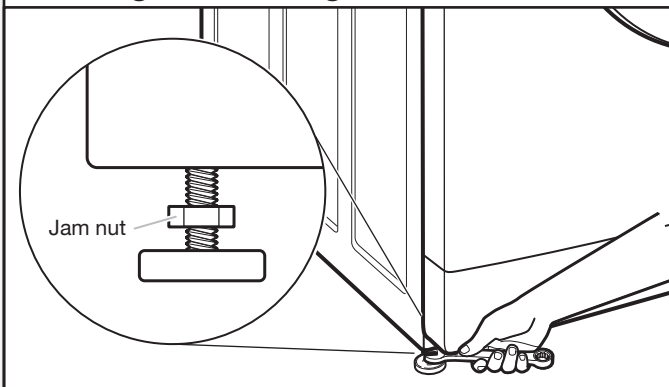
17. Adjust leveling feet



If washer is not level, use a 1/2" or 13 mm open-end or adjustable wrench to turn jam nuts clockwise on feet until they are about 1/2" (13 mm) from the washer cabinet. Then turn the leveling foot clockwise to lower the washer or counterclockwise to raise the washer. Recheck levelness of washer and that all four feet are firmly in contact with the floor. Repeat as needed.

HELPFUL TIP: You may want to prop up front of washer about 4" (102 mm) with a wood block or similar object that will support weight of washer.

18. Tighten leveling feet



When washer is level and all four feet are firmly in contact with the floor, use a 15/32" or 12 mm open-end or adjustable wrench to turn jam nuts counterclockwise on leveling feet tightly against washer cabinet.

HELPFUL TIP: You may want to prop washer with wooden block.

⚠ WARNING



Electrical Shock Hazard

Plug into a grounded 3 prong outlet.

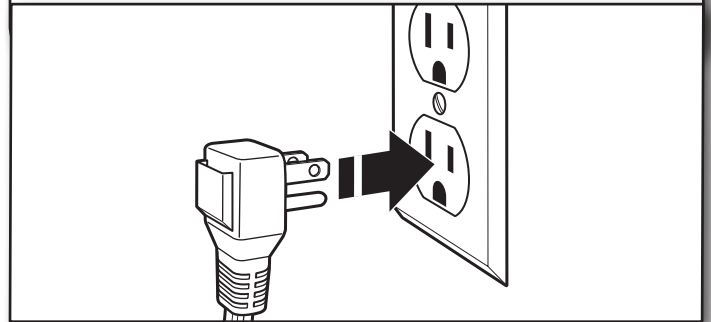
Do not remove ground prong.

Do not use an adapter.

Do not use an extension cord.

Failure to follow these instructions can result in death, fire, or electrical shock.

19. Plug into a grounded 3-prong outlet



COMPLETE INSTALLATION CHECKLIST

- Check electrical requirements. Be sure you have correct electrical supply and recommended grounding method.
- Check that all parts are now installed. If there is an extra part, go back through steps to see what was skipped.
- Check that you have all of your tools.
- Check that transport materials were completely removed from back of washer.
- Check that both hot and cold hoses are attached and water faucets are on.
- Check for leaks around faucets, valves, and inlet hoses.
- Remove protective film from console and any tape remaining on washer.
- Check that washer is plugged into a grounded 3-prong outlet.
- Dispose of/recycle all packaging materials.
- Read "Using Your Washer."
- To test and clean your washer, turn on the washer and choose the Normal cycle and run it without clothes. Use only HE detergent. Use 1/2 the manufacturer's recommended amount for a medium-size load.

TROUBLESHOOTING

First try the solutions suggested here or visit our website at www.maytag.com/help for assistance and to possibly avoid a service call.

If you experience	Possible Causes	Solution
Error Code Appears in Display		
Once any possible issues are corrected, press CANCEL/DRAIN once to clear the code. Reselect and restart the cycle.		
<i>F09</i> (Water Inlet Problem) appears in display and system will pause	No water or insufficient water supply. Unplug washer or disconnect power.	Both hoses must be attached and have water flowing to the inlet valve.
		Both hot and cold water faucets must be on.
		Inlet valve screens on washer may be clogged.
		Remove any kinks in the inlet hose.
		Check if water inlet hoses are frozen.
Plug in washer or reconnect power. Press and hold START to continue the cycle or press and hold CANCEL/DRAIN to cancel the cycle. If the problem remains, call for service.		
<i>F10</i> (drain pump system error) appears in display	Unplug washer or disconnect power.	Check drain hose for proper installation.
		Make sure the drain hose is not kinked, pinched, or blocked.
		Remove any clogs from drain hose.
		Use drain hose form and securely attach to drainpipe or tub.
		Lower drain hose if the end is higher than 55" (1.4 m) above the floor.
Not using HE detergent or using too much HE detergent.	Use only HE detergent. Always measure detergent and follow manufacturer's directions based on load size and soil level.	
<i>F01 - F30</i> appears in display	Electrical problem.	Turn knob to OFF or press and hold START to cancel the cycle. Select DRAIN/SPIN if there is excessive water in the washer. Re-select cycle and press START. If the problem remains, call for service.
Vibration or Off-Balance		
Vibration, rocking, or "walking"	Feet may not be in contact with the floor and locked.	Front and rear feet must be in firm contact with floor, and washer must be level to operate properly. Jam nuts must be tight against the bottom of the cabinet.
	Washer may not be level.	Check floor for flexing or sagging. If flooring is uneven, a 3/4" (19 mm) piece of plywood under your washer will reduce sound. See "Level the Washer."
	Load could be unbalanced or too large.	Avoid tightly packing the load. Avoid washing single items. Balance a single item such as a rug or jeans jacket with a few extra items. Item or load not suitable for selected cycle. See "Cycle Guide" and "Using Your Washer" in this "Use and Care Guide."
	The shipping bolts are still in the back of the washer.	See "Step 3. Remove transport bolts from washer" in "Installation Instructions."

TROUBLESHOOTING

First try the solutions suggested here or visit our website at www.maytag.com/help for assistance and to possibly avoid a service call.

If you experience	Possible Causes	Solution
Noises		
Clicking or metallic noises	Door locking or unlocking.	The door will lock unlock and lock again. You will hear three clicks after pushing START. This is normal.
	Objects caught in washer drain system.	Empty pockets before washing. Loose items such as coins could fall between basket and tub or may block pump. It may be necessary to call for service to remove items.
		It is normal to hear metal items on clothing such as metal snaps, buckles, or zippers touch against the stainless steel basket.
Gurgling or humming	Washer may be draining water.	It is normal to hear the pump making a humming sound with periodic gurgling or surging as final amounts of water are removed during the spin/drain cycles.
Water Leaks		
Check the following for proper installation:	Fill hoses not attached tightly.	Tighten fill-hose connection.
	Fill hose washers.	Properly seat all four fill hose flat washers.
	Drain hose connection.	Check that the drain hose is properly secured to drainpipe or laundry tub.
	Check household plumbing for leaks or clogged sink or drain.	Water can backup out of a clogged sink or drainpipe. Check all household plumbing for leaks (laundry tubs, drain pipe, water pipes, and faucets.)
Water or suds leaking from door or rear of cabinet	Not using HE detergent or using too much HE detergent.	Only use HE detergent. Suds from regular detergents can cause leaking from the door or rear of cabinet. Always measure detergent and follow manufacturer's directions based on your load requirements.
	Residue on door glass.	Periodically clean the the underside of the glass window to avoid potential leaks.
Washer not performing as expected		
Load not completely covered in water	Water level not visible on door or does not cover clothes.	This is normal for an HE front load washer. The washer senses load sizes and adds the correct amount of water for optimal cleaning.

⚠ WARNING



Electrical Shock Hazard

Plug into a grounded 3 prong outlet.

Do not remove ground prong.

Do not use an adapter.

Do not use an extension cord.

Failure to follow these instructions can result in death, fire, or electrical shock.

First try the solutions suggested here or visit our website at www.maytag.com/help for assistance and to possibly avoid a service call.

If you experience	Possible Causes	Solution
Washer not performing as expected (cont.)		
Washer won't run or fill, washer stops working	Check for proper water supply.	Both hoses must be attached and have water flowing to inlet valve.
		Both Hot and Cold water faucets must be turned on.
		Check that inlet valve screens have not become clogged.
		Check for any kinks in inlet hoses, which can restrict water flow.
	Check proper electrical supply.	Plug power cord into a grounded 3-prong outlet.
		Do not use an extension cord.
		Ensure there is power to outlet.
		Check electrical source or call an electrician to check if voltage is low.
	Reset a tripped circuit breaker. Replace any blown fuses. NOTE: If problems continue, contact an electrician.	
	Normal washer operation.	Door must be completely closed and latched for washer to run.
		Washer will pause during certain phases of cycle. Do not interrupt cycle.
		The washer pauses for about 2 minutes during certain cycles. Allow the cycle to continue. Some cycles feature periods of tumbling and soak.
		Washer may be stopped to reduce suds.
	The washer door is not firmly shut.	The door must be closed during operation.
	Washer not loaded as recommended.	Remove several items, rearrange load evenly in drum. Close door and press START.
		Do not add more than 1 or 2 additional items after cycle has started to avoid overloading or unbalancing.
Do not add more water to the washer.		
Not using HE detergent or using too much HE detergent.	Only use HE detergent. Suds from regular detergents can slow or stop the washer. Always measure detergent and following manufacturers directions based on your load requirements.	
	To remove suds, cancel cycle. Select RINSE/SPIN and /DRAIN/SPIN. Press START. Do not add more detergent.	
Door not opened between cycles.	After any wash cycle is completed, the door must be opened and then closed before a new cycle can begin.	

TROUBLESHOOTING

First try the solutions suggested here or visit our website at www.maytag.com/help for assistance and to possibly avoid a service call.

If you experience	Possible causes	Solution
Washer not performing as expected (cont.)		
Washer not draining/spinning, loads are still wet	Empty pockets and use garment bags for small items.	Small items may have been caught in pump.
	Drain hose extends into standpipe farther than 4.5" (114 mm).	Check drain hose for proper installation. Use drain hose form and securely attach to drainpipe or tub. Do not tape over drain opening.
	The drain hose is clogged, or the end of the drain hose more than 55" (1.4 m) above the floor.	Lower drain hose if the end is higher than 55" (1.4 m) above the floor. Remove any clogs from drain hose. See "Drain System" in the "Installation Instructions."
	The drain hose fits too tightly in the standpipe, or is it taped to the standpipe.	The drain hose should be loose yet fit securely. Do not seal the drain hose with tape. The hose needs an air gap. See "Route the Drain Hose" in the "Installation Instructions."
	Using cycles with a lower spin speed.	Cycles with lower spin speeds remove less water than cycles with high spin speeds. Use the recommended cycle/speed spin for your garment.
	Washer not loaded as recommended.	A tightly packed or unbalanced load may not allow the washer to spin correctly, leaving the load wetter than normal. See "Cycle Guide" for load size recommendation for each cycle.
	The load may be out of balance.	Avoid washing single items. Balance a single item such as a rug or jeans jacket with a few extra items.
	Not using HE detergent or using too much HE detergent.	Use only HE detergent. Suds from regular detergent or using too much detergent can slow or stop draining or spinning. Always measure and follow manufacturer's directions for your load. To remove extra suds, Select RINSE/SPIN and DRAIN/SPIN. Do not add detergent.
	The drum has clothing stuck between spin basket and outer tub.	Rotate drum by hand to check for any binding of the spin basket and outer tub. Move open end drum up and down while holding outer tub steady and check for looseness (more than 1/4" (6.35 mm) of movement).
Door locked at end of wash cycle	Water remaining in washer after cycle.	Select RINSE/SPIN and DRAIN/SPIN to remove any water remaining in the washer. The washer door will unlock at the end of the drain.
Door will not unlock	Water did not completely drain out of washer during the spin.	Select DRAIN/SPIN to remove any water remaining in the washer. The washer door will unlock at the end of the drain. It will take 1 minute for the door to unlock.
	Error code is displayed.	Failure mode will lock the door. Turn knob to OFF or press and hold START to exit, then wait for the door to unlock.
	Water temperature is hotter than 104°F (40°C).	Wait for the water temperature to drop.
Incorrect or wrong wash or rinse temperatures	Check for proper water supply.	Make sure hot and cold inlet hoses are not reversed.
		Both hoses must be attached to both washer and faucet, and have both hot and cold water flowing to inlet valve.
		Check that inlet valve screens are not clogged.
	Washing many loads.	Remove any kinks in hoses.
Desired setting or option does not light	Your hot water tank may not have enough hot water to keep up with the number of hot or warm washes. This is normal.	See the "Cycle Guide" for the available settings and options for each cycle.

TROUBLESHOOTING

First try the solutions suggested here or visit our website at www.maytag.com/help for assistance and to possibly avoid a service call.

If you experience	Possible Causes	Solution
Washer not performing as expected (cont.)		
Load not rinsed	Check for proper water supply.	Make sure hot and cold inlet hoses are not reversed.
		Both hoses must be attached and have water flowing to the inlet valve.
		Both hot and cold water faucets must be on.
		Inlet valve screens on washer may be clogged.
	Remove any kinks in the inlet hose.	
	Not using HE detergent or using too much HE detergent.	The suds from non-HE detergent can cause the washer to operate incorrectly.
Use only HE detergent. Always measure detergent and follow manufacturer's directions based on load size and soil level.		
Washer not loaded as recommended.	Avoid tightly packing the washer. The washer will not rinse well if tightly packed. Load with dry items only. See the "Cycle Guide" for load size recommendations for each cycle.	
	Use cycle designed for the fabrics being washed.	
	Add only 1 or 2 garments after washer has started.	
Load is wrinkled, twisted, or tangled	Washer not loaded as recommended.	Add load loosely. Items need to move freely to reduce wrinkling and tangling. See the "Cycle Guide" for load size recommendations for each cycle.
		Reduce tangling by mixing types of load items. Use the recommended cycle for the type of garments being washed.
	Wash action and/or spin speed too fast for load.	Select a slower spin speed. Note that items will be wetter than when using a higher speed spin.
	The washer is not unloaded promptly.	Unload the washer as soon as it stops.
	Not choosing the right cycle for the load being washed.	Use the Delicates cycle or another cycle with a low spin speed to reduce wrinkling.
	The wash water was not warm enough to relax wrinkles.	If safe for load, use warm or hot wash water.
Not cleaning or removing stains	Washer not loaded as recommended.	Add load loosely. Items need to move freely for best cleaning. See the "Cycle Guide" for load size recommendations for each cycle.
		Add only 1 or 2 garments after washer has started.
	Not using HE detergent or using too much HE detergent.	Use only HE detergent. Always measure detergent and follow manufacturer's directions based on load size and soil level.
	Hard water or high level of iron (rust) in water.	You may need to install a water softener and/or iron filter.
	Fabric softener dispensing ball used.	Dispensing balls will not operate correctly with this washer. Add liquid fabric softener to the fabric softener compartment.
	Powdered detergent used for low-speed cycle.	Consider using liquid detergent.
	Not using correct cycle for fabric type.	Use a higher soil level cycle option and warmer wash temperature to improve cleaning.
		If using Delicates cycle, wash only a few items.
		Use Heavy Duty cycle for tough cleaning.
		Add a second rinse for heavily soiled loads.

TROUBLESHOOTING

First try the solutions suggested here or visit our website at www.maytag.com/help for assistance and to possibly avoid a service call.

If you experience	Possible Causes	Solution
Washer not performing as expected (cont.)		
Not cleaning or removing stains	Not using dispensers.	Use dispensers to avoid chlorine bleach and fabric softener staining.
		Load dispensers before starting a cycle.
		Avoid overfilling.
		Do not add products directly to load.
	Not washing like colors together.	Wash like colors together and remove promptly after the cycle is complete to avoid dye transfer.
	Not enough detergent used, or hard water.	Use more detergent for washing heavy soils in cold or hard water.
Odors	Monthly maintenance not done as recommended.	Run the Clean Washer cycle with affresh® monthly. See “Washer Care” in “Washer Maintenance.”
		Unload washer as soon as cycle is complete.
	Not using HE detergent or using too much HE detergent.	Use only HE detergent. Be sure to measure correctly. Always follow the manufacturer’s directions.
		See “Washer Care” section.
	Door not left open after use.	This washer has a tight seal to avoid water leaks. To avoid odors, leave the door open to allow the washer to dry between uses.
Fabric Damage	Sharp items were in pockets during wash cycle.	Empty pockets, zip zippers, and snap or hook fasteners before washing to avoid snags and tears.
	Strings and straps could have tangled.	Tie all strings and straps before starting wash load.
	Items may have been damaged before washing.	Mend rips and broken threads in seams before washing.
	Fabric damage can occur if washer is tightly packed.	Avoid tightly packing the washer. Load with dry items only.
		Use cycle designed for the fabrics being washed.
		Add only 1 or 2 garments after washer has started.
	Liquid chlorine bleach may have been added incorrectly.	Do not pour liquid chlorine bleach directly onto load. Wipe up bleach spills.
Undiluted bleach will damage fabrics. Do not use more than recommended by manufacturer.		
Gray whites, dingy colors	Load not sorted properly.	The transfer of dye can occur when mixing whites and colors in a load. Sort dark clothes from whites and lights.
	Wash temperatures too low.	Use hot or warm washes if safe for the load. Make sure your hot water system is adequate to provide a hot water wash.
	Not enough detergent used, or hard water.	Use more detergent for washing heavy soils in cold or hard water.

TROUBLESHOOTING

First try the solutions suggested here or visit our website at www.maytag.com/help for assistance and to possibly avoid a service call.

If you experience	Possible Causes	Solution
Washer not performing as expected (cont.)		
Incorrect dispenser operation	Clogged dispensers or laundry products dispensing too soon.	Do not overfill dispenser. Overfilling causes immediate dispensing.
		Load dispensers before starting a cycle.
		Homes with low water pressure may result in residual powder in the dispenser. To avoid, select a warmer wash temperature if possible, depending on your load.
	Liquid chlorine bleach not used in bleach compartment.	Use only liquid chlorine bleach in the bleach compartment.
	Water in dispenser after cycle has finished.	It is normal for small amounts of water to remain in dispenser at the end of the cycle.
Cycle time changes or cycle time too long	Normal washer operation.	The cycle times vary automatically based on your water pressure, water temperature, detergent, and clothes load. The options you select will also affect the cycle times.
	Excessive suds in washer.	When excessive suds are detected, a special suds routine automatically starts to remove extra suds and ensure proper rinsing of your garments. This routine will add time to the original cycle.
	Load may be out of balance.	When load unbalance occurs, a washing process will start to redistribute the load. This extends the cycle time. Avoid washing single items. Balance a single item such as a rug or jeans jacket with a few extra items.
	Not using correct cycle for load type.	The Delicates cycle is designed for smaller load sizes (3–4 items) of lightly soiled garments. If larger loads are washed in this cycle, wash time will be increased.
When using the Delicates cycle, you should wash small loads. This ensures a gentle wash for your garments without increasing cycle times.		

ACCESSORIES

Enhance your washer with these premium accessories.

For more high-quality items or to order, call **1-800-901-2042**, or visit us at www.whirlpool.com/accessories. In Canada, call **1-800-807-6777** or visit us at www.whirlpoolparts.ca.

Part Number	Accessory
8212638RP	6 ft (1.8 m) nylon braided space-saving fill hose, 90° elbow, hypro-blue steel couplings. Safer than stainless steel. (2-pack)
8212487RP	5 ft (1.5 m) nylon braided fill hose. Safer than stainless steel. (2-pack)
8212526	Washer drip tray, fits under all
31682	All purpose appliance cleaner
1903WH	Laundry supply storage cart
W10135699	Affresh® Washer Cleaner
W10178021	Stack kit

MAYTAG® LAUNDRY WARRANTY

LIMITED WARRANTY

For one year from the date of purchase, when this major appliance is operated and maintained according to instructions attached to or furnished with the product, Maytag brand of Whirlpool Corporation or Whirlpool Canada LP (hereafter "Maytag") will pay for factory specified parts and repair labor to correct defects in materials or workmanship that existed when this major appliance was purchased. Service must be provided by a Maytag designated service company. YOUR SOLE AND EXCLUSIVE REMEDY UNDER THIS LIMITED WARRANTY SHALL BE PRODUCT REPAIR AS PROVIDED HEREIN. This limited warranty is valid only in the United States or Canada and applies only when the major appliance is used in the country in which it was purchased. Proof of original purchase date is required to obtain service under this limited warranty.

ITEMS EXCLUDED FROM WARRANTY

This limited warranty does not cover:

1. Replacement parts or repair labor if this major appliance is used for other than normal, single-family household use or when it is used in a manner that is inconsistent to published user or operator instructions and/or installation instructions.
 2. Service calls to correct the installation of your major appliance, to instruct you on how to use your major appliance, to replace or repair house fuses, or to correct house wiring or plumbing.
 3. Service calls to repair or replace appliance light bulbs, air filters or water filters. Consumable parts are excluded from warranty coverage.
 4. Damage resulting from accident, alteration, misuse, abuse, fire, flood, acts of God, improper installation, installation not in accordance with electrical or plumbing codes, or use of products not approved by Maytag.
 5. Cosmetic damage, including scratches, dents, chips or other damage to the finish of your major appliance, unless such damage results from defects in materials or workmanship and is reported to Maytag within 30 days from the date of purchase.
 6. Pick up and delivery. This major appliance is intended to be repaired in your home.
 7. Repairs to parts or systems resulting from unauthorized modifications made to the appliance.
 8. Expenses for travel and transportation for product service if your major appliance is located in a remote area where service by an authorized Maytag servicer is not available.
 9. The removal and reinstallation of your major appliance if it is installed in an inaccessible location or is not installed in accordance with Maytag published installation instructions.
 10. Replacement parts or repair labor on major appliances with original model/serial numbers that have been removed, altered, or cannot be easily determined.
-

DISCLAIMER OF IMPLIED WARRANTIES

IMPLIED WARRANTIES, INCLUDING ANY IMPLIED WARRANTY OF MERCHANTABILITY OR IMPLIED WARRANTY OF FITNESS FOR A PARTICULAR PURPOSE, ARE LIMITED TO ONE YEAR OR THE SHORTEST PERIOD ALLOWED BY LAW. Some states and provinces do not allow limitations on the duration of implied warranties of merchantability or fitness, so this limitation may not apply to you. This warranty gives you specific legal rights, and you also may have other rights that vary from state to state or province to province.

LIMITATION OF REMEDIES; EXCLUSION OF INCIDENTAL AND CONSEQUENTIAL DAMAGES

YOUR SOLE AND EXCLUSIVE REMEDY UNDER THIS LIMITED WARRANTY SHALL BE PRODUCT REPAIR AS PROVIDED HEREIN. MAYTAG SHALL NOT BE LIABLE FOR INCIDENTAL OR CONSEQUENTIAL DAMAGES. Some states and provinces do not allow the exclusion or limitation of incidental or consequential damages, so these limitations and exclusions may not apply to you. This warranty gives you specific legal rights, and you also may have other rights that vary from state to state or province to province.

If outside the 50 United States and Canada, contact your authorized Maytag dealer to determine if another warranty applies.

If you think you need repair service, first see the "Troubleshooting" section of the Use & Care Guide. If you are unable to resolve the problem after checking "Troubleshooting," additional help can be found by checking the "Assistance or Service" section or by calling Maytag. In the U.S.A., call **1-800-688-9900**. In Canada, call **1-800-807-6777**. 6/08

Keep this book and your sales slip together for future reference. You must provide proof of purchase or installation date for in-warranty service.

Write down the following information about your major appliance to better help you obtain assistance or service if you ever need it. You will need to know your complete model number and serial number. You can find this information on the model and serial number label located on the product.

Dealer name _____
Address _____
Phone number _____
Model number _____
Serial number _____
Purchase date _____

SÉCURITÉ DE LA LAVEUSE

Votre sécurité et celle des autres est très importante.

Nous donnons de nombreux messages de sécurité importants dans ce manuel et sur votre appareil ménager. Assurez-vous de toujours lire tous les messages de sécurité et de vous y conformer.



Voici le symbole d'alerte de sécurité.

Ce symbole d'alerte de sécurité vous signale les dangers potentiels de décès et de blessures graves à vous et à d'autres.

Tous les messages de sécurité suivront le symbole d'alerte de sécurité et le mot "DANGER" ou "AVERTISSEMENT". Ces mots signifient :

⚠ DANGER

Risque possible de décès ou de blessure grave si vous ne suivez pas immédiatement les instructions.

⚠ AVERTISSEMENT

Risque possible de décès ou de blessure grave si vous ne suivez pas les instructions.

Tous les messages de sécurité vous diront quel est le danger potentiel et vous disent comment réduire le risque de blessure et ce qui peut se produire en cas de non-respect des instructions.

IMPORTANTES INSTRUCTIONS DE SÉCURITÉ

AVERTISSEMENT : Pour réduire les risques d'incendie, de choc électrique ou de blessures lors de l'utilisation de la laveuse, suivre les précautions fondamentales dont les suivantes :

- Lire toutes les instructions avant d'utiliser la laveuse.
- Ne pas laver des articles qui ont été nettoyés ou lavés avec de l'essence ou imbibés d'essence, solvants de nettoyage à sec, ou autres substances inflammables ou explosives; ces substances peuvent émettre des vapeurs susceptibles de s'enflammer ou d'exploser.
- Ne pas ajouter d'essence, solvant de nettoyage à sec ou autre produit inflammable ou explosif dans l'eau de lavage. Ces substances peuvent émettre des vapeurs susceptibles de s'enflammer ou d'exploser.
- Dans certaines conditions, de l'hydrogène gazeux peut se former dans un circuit d'eau chaude qui n'a pas été utilisé pendant 2 semaines ou plus. LE GAZ HYDROGÈNE EST EXPLOSIBLE. Si le circuit d'eau chaude n'a pas été utilisé pendant une telle période, avant d'utiliser la laveuse, ouvrir tous les robinets d'eau chaude et laisser l'eau s'écouler pendant plusieurs minutes par chaque robinet. Ceci permettra l'évacuation de l'hydrogène gazeux accumulé. Comme ce gaz est inflammable, ne pas fumer ou utiliser une flamme nue au cours de cette période.
- Ne pas laisser des enfants jouer sur ou à l'intérieur de la laveuse. Bien surveiller les enfants lorsque la laveuse est utilisée à proximité d'enfants.
- Avant de mettre la laveuse au rebut ou hors de service, enlever la porte ou le couvercle.
- Ne pas tenter d'atteindre un article à l'intérieur de la cuve de la laveuse lorsque le tambour, la cuve ou l'agitateur est en mouvement.
- Ne pas installer ou remiser cette laveuse à un endroit où elle serait exposée aux intempéries.
- Ne pas modifier les organes de commande.
- Ne pas réparer ou remplacer un composant quelconque de la laveuse, ni entreprendre une opération de service, si ce n'est spécifiquement recommandé dans ce manuel ou dans un manuel d'instructions de réparations destiné à l'utilisateur; il est alors essentiel que la personne concernée comprenne ces instructions et soit compétente pour les exécuter.
- Pour les instructions de liaison à la terre, voir "Spécifications électriques" dans les instructions d'installation.

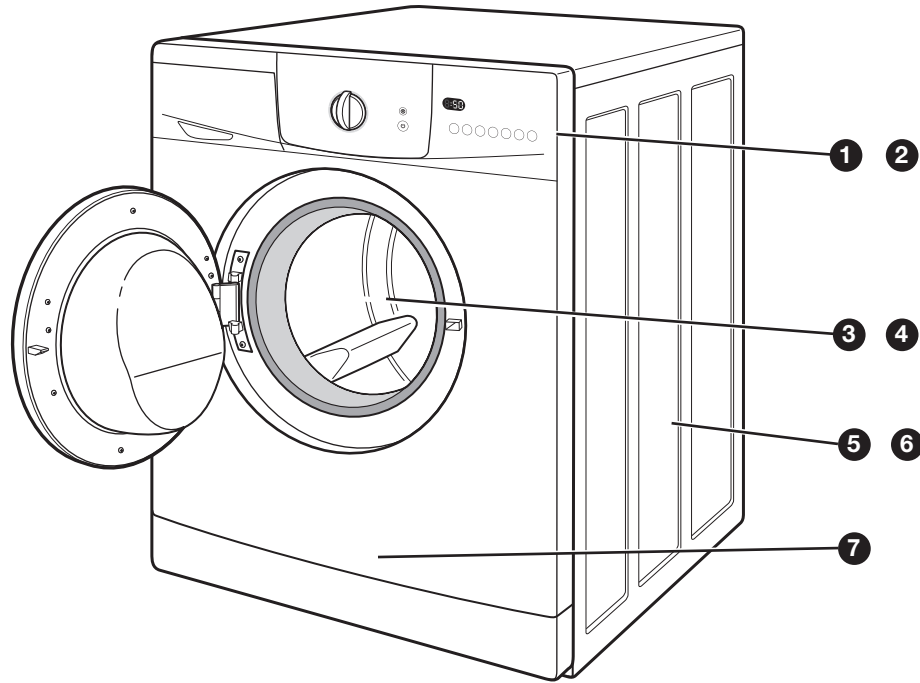
CONSERVEZ CES INSTRUCTIONS

Avertissements de la proposition 65 de l'État de Californie :

AVERTISSEMENT : Ce produit contient au moins un produit chimique connu par l'État de Californie pour être à l'origine de cancers.

AVERTISSEMENT : Ce produit contient au moins un produit chimique connu par l'État de Californie pour être à l'origine de malformations et autres déficiences de naissance.

INSTRUCTIONS D'UTILISATION



CARACTÉRISTIQUES ET AVANTAGES

Votre nouvelle laveuse haute efficacité à chargement frontal a été conçue pour préserver les ressources et diminuer vos factures d'eau et d'énergie. La laveuse est conçue pour déterminer puis fournir la quantité d'eau nécessaire à une performance optimale. Avec ce nouveau système, la durée de fonctionnement peut être supérieure à celle d'une laveuse conventionnelle.

1 COMMANDES ÉLECTRONIQUES

Les commandes électroniques flexibles sont faciles à utiliser, que vous soyez un débutant ou un expert.

2 COMMANDE AUTOMATIQUE DE LA TEMPÉRATURE

La Commande automatique de la température (CAT) détecte et maintient électroniquement une température uniforme de l'eau. La CAT régule l'arrivée d'eau chaude et d'eau froide. La fonction CAT est automatiquement activée lorsqu'un programme est sélectionné. Voir le "Guide de programmes".

- La fonction CAT fonctionne pour la température de lavage avec les réglages Warm (tiède) et Cold (froide).
- Les températures de rinçage à froid dépendent de la température de l'eau froide au robinet.

3 NIVEAU D'EAU AUTOMATIQUE

En s'ajustant au volume de la charge, cette caractéristique permet à la laveuse d'utiliser la quantité d'eau minimum nécessaire au nettoyage et au rinçage des vêtements.

Un faible niveau d'eau vous permet d'obtenir les mêmes résultats avec de plus petites quantités de produits. Étant donné que seule la quantité nécessaire d'eau est utilisée, la laveuse vous fait aussi économiser de l'énergie.

4 TAMBOUR EN ACIER INOXYDABLE

Le tambour en acier inoxydable élimine la corrosion et permet des vitesses d'essorage plus élevées pour une meilleure extraction de l'eau et une réduction de la durée de séchage.

5 SYSTÈME DE SUSPENSION

Pour réduire le "déplacement" ou le "déséquilibre" de la laveuse, celle-ci combine :

- 2 ressorts pour isoler les vibrations
- 2 amortisseurs à la base de la laveuse pour minimiser le mouvement

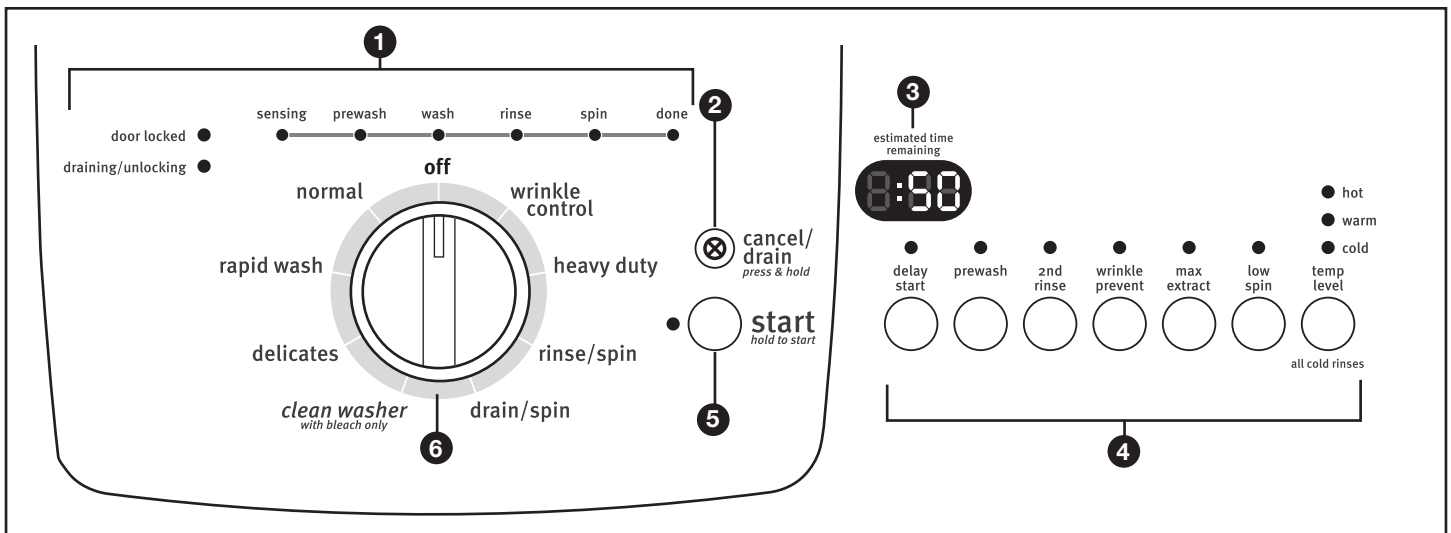
6 ÉQUILIBRE DYNAMIQUE

Un système d'équilibrage de précision permet à la laveuse d'atteindre des vitesses d'essorage élevées. La laveuse essore plus vite pour que les vêtements sortant de la laveuse soient davantage secs qu'avec les laveuses traditionnelles à chargement par le dessus. De plus, si le système d'équilibre dynamique détecte des charges déséquilibrées durant l'essorage, il redistribue les vêtements de façon à ce qu'ils soient répartis uniformément.

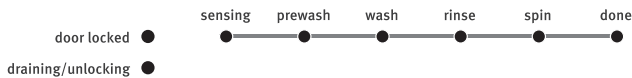
7 MOTEUR ADAPTATIF À VITESSE VARIABLE

Le moteur s'adapte au volume de la charge et au programme sélectionné pour délivrer les meilleures conditions de nettoyage, de rinçage et d'essorage. Le moteur peut gérer les vitesses lentes nécessaires pour les articles délicats et il est assez puissant pour essorer une charge moyenne de vêtements à une vitesse élevée.

TABLEAU DE COMMANDE ET CARACTÉRISTIQUES



1 TÉMOINS LUMINEUX DE PROGRAMME



Les témoins lumineux de programme indiquent la progression d'un programme. À chaque étape du processus, il est possible que l'on remarque des pauses ou des sons différents de ceux que l'on remarque avec des laveuses ordinaires.

Le témoin lumineux de détection s'allume alors que la laveuse pèse les articles automatiquement, puis ajuste la durée restante estimée en fonction du programme sélectionné.

Lorsque la DEL de porte verrouillée s'allume, cela signifie que la porte est verrouillée. La porte se verrouille et se déverrouille automatiquement, en fonction de l'état d'avancement du programme de lavage. Appuyer sur CANCEL/DRAIN (annulation/vidange) pendant 3 secondes pour déverrouiller manuellement la porte. La porte devrait mettre environ 1 minute à se déverrouiller. Une fois la porte déverrouillée, le témoin lumineux Draining/Unlocking (vidange/déverrouillage) s'allume.

Les témoins Prewash (prélavage), Wash (lavage), Rinse (rinçage), et Spin (essorage) s'allument tour à tour à mesure que la laveuse avance dans les programmes.

Le témoin lumineux Done (terminé) reste allumé pendant 1 heure à la fin du programme. Pour déconnecter manuellement la laveuse à l'issue d'un programme de lavage, placer le bouton à la position Off (arrêt).

2 CANCEL/DRAIN BUTTON (BOUTON D'ANNULATION/DE VIDAGE)

Appuyer sur ce bouton pour mettre la laveuse en marche et pour l'éteindre. Appuyer sur ce bouton pour arrêter/annuler un programme à tout moment.

3 ESTIMATED TIME REMAINING (DURÉE RÉSIDUELLE ESTIMÉE)

Les durées de programme varient automatiquement en fonction de la pression de votre eau, de la température de l'eau, du détergent et de la charge de vêtements. La durée du programme sera prolongée en cas d'excès de mousse ou de déséquilibre de la charge. La procédure contre les excès de mousse permet d'enlever l'excès de mousse et assure un rinçage correct de vos vêtements. Les options que vous sélectionnez affecteront également les durées de programme indiquées dans le "Guide de programmes". La durée résiduelle estimée peut passer à des durées beaucoup plus longues dans des conditions extrêmes.

4 OPTIONS

Vous pouvez personnaliser votre lavage en ajoutant des options à vos sélections de programme. Toutes les options ne sont pas disponibles avec tous les programmes.

- Si une option est disponible avec un programme sélectionné, le témoin lumineux pour cette option s'allume au moment de la sélection.
- Si une option n'est pas disponible avec un programme sélectionné, un bref signal sonore est émis et le témoin lumineux pour cette option ne s'allume pas au moment de la sélection.

Delay Start (mise en marche différé)

Utiliser ce programme pour différer le mise en marche de lavage.

- Sélectionner DELAY START (mise en marche différé) jusqu'à ce que la durée désirée (en heures) soit indiquée sur l'afficheur de la durée résiduelle estimée.
- Sélectionner START (mise en marche). La fenêtre d'affichage indique le compte à rebours jusqu'au programme de lavage.

Prewash (prélavage)

Le prélavage est une phase de trempage de 18 minutes qui est ajoutée avant le lavage principal. Lors du prélavage, le culbutage est faible.

2nd Rinse (deuxième rinçage)

Un deuxième rinçage peut être effectué pour favoriser l'élimination des résidus de détergent ou d'agent de blanchiment sur les vêtements. Cette option fournit un rinçage additionnel avec une eau à la même température que pour le rinçage normal. Vous pouvez la sélectionner ou la désélectionner en appuyant sur 2ND RINSE (deuxième rinçage).

Wrinkle Prevent (empêchement des plis)

Utiliser cette option pour augmenter la quantité d'eau à l'entrée et réduire la vitesse d'essorage et la durée de la période de rinçage. La dernière phase d'essorage comportera une vitesse d'essorage plus faible et durera moins longtemps.

Max Extract (extraction maximale)

Utiliser cette option pour augmenter la période d'essorage finale de 1 minute lors de l'essorage final.

Low Spin (essorage faible)

Chaque programme comporte une vitesse d'essorage préétablie. Pour réduire la vitesse de l'essorage final, sélectionner le bouton LOW SPIN.

Temp Level (niveau de température)

Chaque programme comporte un pré réglage de température de l'eau. Pour modifier la température de l'eau, sélectionner le bouton TEMP LEVEL (niveau de température), jusqu'à ce que le réglage désiré s'allume.

Sélectionner une température de l'eau selon le type de charge à laver. Utiliser l'eau de lavage la plus chaude sans danger pour les tissus. Suivre les instructions sur l'étiquette des vêtements.

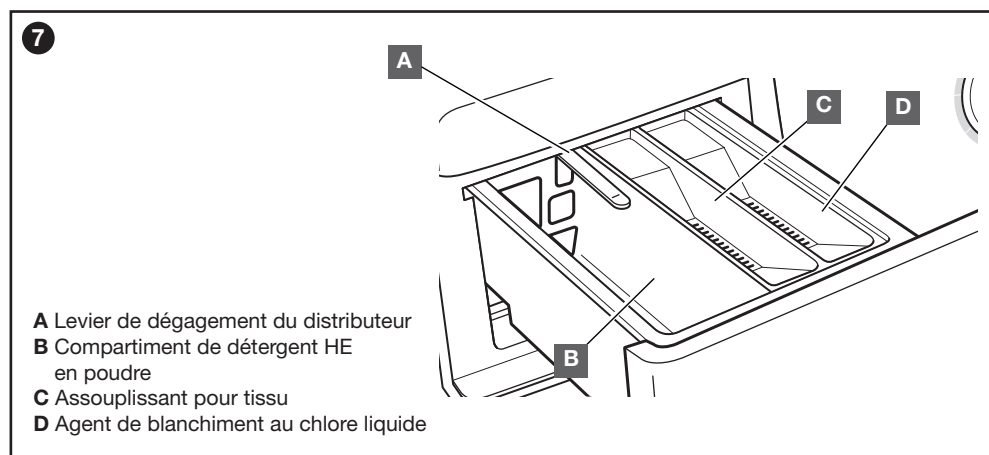
Le rinçage se fait à l'eau froide pour tous les programmes de rinçage. Les rinçages à froid économisent de l'énergie.

5 START BUTTON (BOUON MISE EN MARCHÉ)

Appuyer sans relâcher sur ce bouton pour démarrer un programme ou appuyer une fois dessus pendant qu'un programme est en cours pour le suspendre.

6 BOUTON DE PROGRAMME DE LAVAGE

Tourner le bouton de programme pour sélectionner un programme correspondant à la charge de linge. Voir "Guide de programmes" pour des descriptions de programmes détaillées.



7 DISTRIBUTEUR INTELLIGENT

Les trois compartiments du distributeur permettent le chargement de tous les produits de lessive avant la mise en marche de la laveuse. Les produits seront distribués dans la laveuse au moment opportun pour un nettoyage performant. Le système de libération de l'agent de blanchiment est inclus dans le système supérieur de distribution de détergent. Le détergent est ajouté au début du programme et l'agent de blanchiment est ajouté une fois que les enzymes ont pu effectuer leur nettoyage. L'assouplissant de tissu sera distribué lors du programme de rinçage ou du deuxième rinçage, le cas échéant. Le plateau du système supérieur de distribution de détergent peut être retiré facilement pour le nettoyage.

A Levier de dégagement du distributeur

B Compartiment de détergent Haute efficacité "HE" en poudre

Verser le détergent HE liquide ou en poudre dans ce compartiment pour le programme de lavage principal.

- L'agent de blanchiment en poudre sans danger pour les couleurs peut être ajouté à ce compartiment avec le détergent HE en poudre.

C Compartiment pour agent de blanchiment liquide

Dilue et distribue automatiquement l'agent de blanchiment au chlore liquide au moment opportun lors du premier rinçage qui suit le programme de lavage. Ce compartiment ne peut diluer un agent de blanchiment en poudre.

D Compartiment d'assouplissant pour tissu liquide

Dilue et distribue automatiquement l'assouplissant pour tissu liquide au moment opportun lors du programme.

- Utiliser uniquement de l'assouplissant de tissu liquide dans ce distributeur.

Choix du détergent approprié

Utiliser uniquement des détergents Haute efficacité. L'emballage portera la mention "HE" ou "High Efficiency" (haute efficacité). Un lavage avec faible consommation d'eau produit un excès de mousse avec un détergent non HE. Il est probable que l'utilisation d'un détergent non HE prolongera la durée des programmes et réduira la performance de rinçage. Ceci peut aussi entraîner des défaillances de composants et, avec le temps, une accumulation de moisissure. Les détergents HE sont conçus pour produire la quantité de mousse adéquate pour le meilleur rendement. Suivre les recommandations du fabricant pour déterminer la quantité de détergent à utiliser.



Utiliser uniquement un détergent Haute efficacité (HE).

GUIDE DE PROGRAMMES

Choisir les programmes de lavage en tournant le bouton de sélection de programme au programme désiré. Chaque programme est conçu pour différents types de tissu et niveaux de saleté.

- Chaque programme a une durée, un niveau de température par défaut et peut comporter des options présélectionnées. Les préréglages procurent aux tissus les soins recommandés pour le programme sélectionné.
- Les préréglages peuvent être modifiés à tout moment avant la sélection de START (mise en marche). Toutes les options et tous les modificateurs (niveau de température, options d'essorage) ne sont pas disponibles avec tous les programmes. Appuyer sur START (mise en marche) pendant environ 3 secondes pour poursuivre le programme.

Articles à laver :	Programme :	Durée estimée* (hr:min):	Niveau de temp.†:	Vitesse d'essorage:	Options disponibles :	Détails du programme :
Cotons et lins normalement sales	Normal (normal)	0:50	Warm	High	Delay Start Prewash 2nd Rinse ¹ Max Extract Low Spin	Utiliser ce programme pour laver des charges de linge en coton et en lin normalement sales. Ce programme comporte une vitesse d'essorage élevée
Petites charges de 2-3 articles en coton, polyester, nylon, et mélanges de coton légèrement sales	Rapid Wash (lavage rapide)	0:30	Warm	High	Delay Start Prewash 2nd Rinse ¹ Wrinkle Prevent ¹ Max Extract Low Spin	Utiliser ce programme pour laver des petites charges de 2 à 3 articles légèrement sales dont on a besoin rapidement. Ce programme combine une durée de lavage plus courte et un essorage à vitesse élevée pour réduire la durée de séchage. Des charges importantes dans la laveuse augmenteront la durée de lavage.
Rideaux et vêtements délicats, robes, jupes, chemises et chemisiers	Delicates (articles délicats)	0:37	Warm	Low	Delay Start Prewash 2nd Rinse ¹ Wrinkle Prevent ¹ Low Spin	Utiliser ce programme pour laver des tissus très fins et la lingerie. Ce programme comporte une faible vitesse d'essorage pour prendre soin des articles délicats. Utiliser des sacs en filet pour laver les sous-vêtements tels que les soutiens-gorge à armatures, les articles à ficelle et les petits articles comme les chaussettes.
Pas de vêtements, utiliser le nettoyant pour laveuse affresh® ou de l'agent de blanchiment au chlore	Clean Washer (nettoyage de la laveuse)	1:15	Hot	High	Delay Start	Utiliser le programme Cycle Washer (nettoyage de la laveuse) une fois par mois pour maintenir l'intérieur de la laveuse frais et propre. Ce programme utilise un niveau d'eau plus élevé. Utiliser une tablette de nettoyant de laveuse affresh® ou un agent de blanchiment au chlore liquide pour nettoyer en profondeur l'intérieur de la laveuse. Ce programme ne doit pas être interrompu. Voir "Entretien de la laveuse". IMPORTANT : Ne pas placer de vêtements ou d'autres articles dans la laveuse pendant le programme Clean Washer (nettoyage de la laveuse). Utiliser ce programme avec un tambour de lavage vide.
Toutes les charges	Drain/Spin (vidange/essorage)	0:18	N/A	High	Delay Start Max Extract Low Spin	Utiliser ce programme pour vidanger la laveuse ou pour vidanger et essorer la charge de lavage. La vitesse d'essorage est préréglée à HIGH (élevée).

* Les durées de programme varient automatiquement en fonction de la pression et de la température de l'eau, du détergent et de la charge de linge. La durée du programme sera prolongée en cas d'excès de mousse ou si la charge est déséquilibrée.

† Tous les rinçages se font à l'eau froide.

¹ Vous ne pouvez pas sélectionner les options 2nd Rinse (deuxième rinçage) ni Wrinkle Prevent (empêchement des plis) pour la même charge.

Articles à laver :	Programme :	Durée estimée* (hr:min):	Niveau de temp.†:	Vitesse d'essorage:	Options disponibles :	Détails du programme :
Toutes les charges	Rinse/Spin (rinçage/essorage)	0:24	Cold	High	Delay Start 2nd Rinse ¹ Max Extract Low Spin	Utiliser ce programme pour effectuer uniquement un rinçage et un essorage. Ce programme comporte une vitesse d'essorage élevée. Le programme Rinse Spin est utile pour les charges qui nécessitent un rinçage uniquement et pour ajouter de l'assouplissant de tissu à une charge en utilisant le distributeur d'assouplissant de tissu.
Sous-vêtements, serviettes, chemises, etc, en coton et très sales	Heavy Duty (service intense)	1:10	Warm	High	Delay Start Prewash 2nd Rinse ¹ Max Extract Low Spin	Utiliser ce programme pour laver des charges de tissus robustes, grand teint et des vêtements très sales. Ce programme combine une durée de lavage plus longue et une vitesse d'essorage élevée pour réduire les durées de séchage.
Mélanges à pressage permanent et tissus synthétiques normalement sales	Wrinkle Control (commande anti-froissement)	0:45	Warm	Low	Delay Start Prewash 2nd Rinse ¹ Wrinkle Prevent ¹ Max Extract Low Spin	Utiliser ce programme pour laver des charges de mélanges à pressage permanent et de tissus synthétiques. Ce programme comporte un processus de refroidissement de la charge pour réduire le froissement.

* Les durées de programme varient automatiquement en fonction de la pression et de la température de l'eau, du détergent et de la charge de linge. La durée du programme sera prolongée en cas d'excès de mousse ou si la charge est déséquilibrée.

† Tous les rinçages se font à l'eau froide.

¹ Vous ne pouvez pas sélectionner les options 2nd Rinse (deuxième rinçage) ni Wrinkle Prevent (empêchement des plis) pour la même charge.

Options de Niveau de température :

Chaude (Hot)
Tiède (Warm)
Froide (Cold)

Options de Vitesse d'essorage :

Élevée (High)
Basse (Low)

Options disponibles :

Mise en marche différé (Delay Start)
Prélavage (Prewash)
Deuxième rinçage (2nd Rinse)
Empêchement des plis (Wrinkle Prevent)
Extraction maximale (Max Extract)
Essorage bas (Low Spin)

UTILISATION DE LA LAVEUSE

⚠ AVERTISSEMENT



Risque d'incendie

Ne jamais mettre des articles humectés d'essence ou d'autres fluides inflammables dans la laveuse.

Aucune laveuse ne peut complètement enlever l'huile.

Ne pas faire sécher des articles qui ont été salis par tout genre d'huile (y compris les huiles de cuisson).

Le non-respect de ces instructions peut causer un décès, une explosion ou un incendie.

⚠ AVERTISSEMENT



Risque de choc électrique

Brancher sur une prise à 3 alvéoles reliée à la terre.

Ne pas enlever la broche de liaison à la terre.

Ne pas utiliser un adaptateur.

Ne pas utiliser un câble de rallonge.

Le non-respect de ces instructions peut causer un décès, un incendie ou un choc électrique.

Choix du détergent approprié

Utiliser uniquement des détergents Haute efficacité. L'emballage portera la mention "HE" ou "High Efficiency" (haute efficacité). Un lavage avec faible consommation d'eau produit un excès de mousse avec un détergent non HE. Il est probable que l'utilisation d'un détergent non HE prolongera la durée des programmes et réduira la performance de rinçage. Ceci peut aussi entraîner des défaillances de composants et, avec le temps, une accumulation de moisissure. Les détergents HE sont conçus pour produire la quantité de mousse adéquate pour le meilleur rendement. Suivre les recommandations du fabricant pour déterminer la quantité de détergent à utiliser.

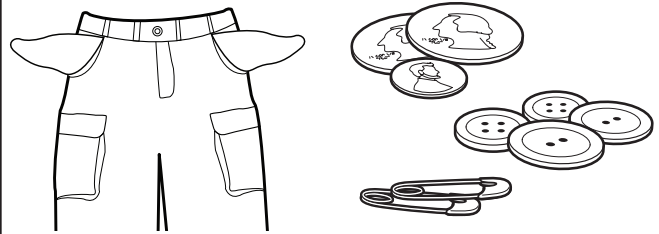


Utiliser uniquement un détergent Haute efficacité (HE).

Premier programme de lavage sans vêtements

Avant de laver des vêtements pour la première fois, remplir la cartouche du distributeur pour détergent HE liquide et l'installer dans le tiroir du distributeur. Choisir le programme RAPID WASH (lavage rapide) et le lancer sans vêtements. Utiliser uniquement un détergent HE. Ce programme préalable sert à garantir que l'intérieur est propre et le tiroir du distributeur est prêt à employer avant de laver des vêtements.

1. Trier et préparer le linge

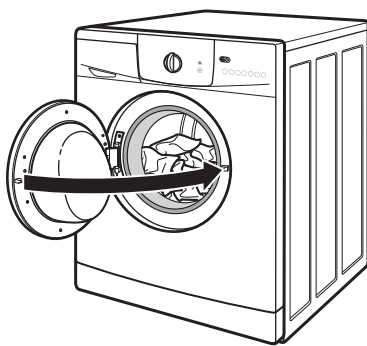


Trier les articles en fonction du programme et de la température d'eau recommandés, ainsi que la solidité des teintures. Séparer les articles très sales des articles peu sales. Séparer les articles délicats des tissus résistants. Traiter les taches sans délai et contrôler la solidité des teintures en essayant les produits d'élimination de taches sur une couture intérieure.

IMPORTANT :

- Vider les poches. Les pièces de monnaie, boutons et autres petits objets peuvent obstruer les pompes et nécessiter une intervention de dépannage.
- Fermer les fermetures à glissière, attacher les crochets, cordons et ceintures en tissu, et retirer tout accessoire et ornement non lavables.
- Réparer les déchirures pour éviter que les articles ne s'endommagent encore davantage lors du nettoyage.
- Retourner les tricotés pour éviter le boulochage. Séparer les articles qui forment la charpie de ceux qui la retiennent. Les articles synthétiques, tricotés et articles en velours retiennent la charpie provenant des serviettes, des tapis et des tissus chenille.
- Ne pas sécher les vêtements si les taches sont toujours présentes après le lavage car la chaleur pourrait fixer les taches sur le tissu.
- Toujours lire et suivre les instructions figurant sur les étiquettes de soin des tissus et sur les produits de lessive. Une mauvaise utilisation pourrait endommager les vêtements.

2. Charger les vêtements dans la laveuse



Ouvrir la porte de la laveuse. Placer une charge de linge trié dans la laveuse sans les tasser. Les articles doivent pouvoir se déplacer librement pour un nettoyage optimal et pour réduire le froissement et l’emmêlement. Fermer la porte de la laveuse en la poussant fermement jusqu’à ce que le loquet émette un clic.

REMARQUE: Une procédure spécifique se met en marche au début de chaque programme pour éviter l’utilisation involontaire de la laveuse. Cette procédure dure environ 1 minute avant que le programme de lavage sélectionné ne commence.

- Il est possible de charger complètement la laveuse, selon le type de charge et le programme, mais les vêtements ne doivent pas être tassés. La porte de la laveuse doit fermer facilement. Voir “Guide de programmes” pour des suggestions sur le mode de chargement.
- Mélanger les gros articles avec les petits et éviter de laver des articles seuls. Charger de façon uniforme.
- Laver les petits articles dans des sacs à linge en filet. Si les petits articles sont nombreux, utiliser plus d’un sac et remplir les sacs de façon égale.

Utilisation du tiroir distributeur

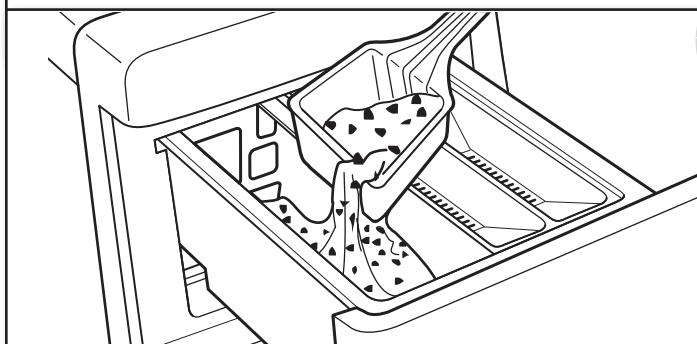
Pour utiliser le tiroir distributeur :

1. Ouvrir le tiroir distributeur.
2. Ajouter les produits de lessive tel que décrit dans les étapes 3 à 6.
3. Fermer lentement le tiroir distributeur. Vérifier qu’il est complètement fermé.

REMARQUES :

- Il est possible qu’une petite quantité d’eau provenant du programme de lavage précédent reste dans les distributeurs. Ceci est normal.
- Pour l’information sur la concentration du détergent, voir “À propos de la concentration du détergent”.

3. Ajouter du détergent HE au distributeur



Verser le détergent HE liquide ou en poudre dans ce compartiment pour le programme de lavage principal.

- L’agent de blanchiment en poudre sans danger pour les couleurs peut être ajouté au compartiment du lavage principal avec le détergent en poudre.

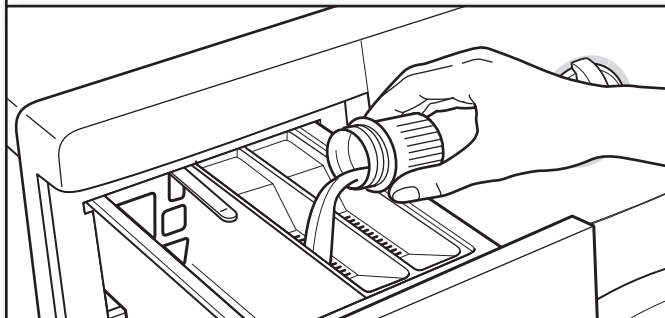


Utiliser uniquement un détergent Haute efficacité (HE).

- Suivre les instructions du fabricant pour déterminer la quantité de détergent à utiliser.

REMARQUE : Un remplissage excessif pourrait causer un excès de mousse.

4. Verser de l’assouplissant pour tissu dans le distributeur (si désiré)



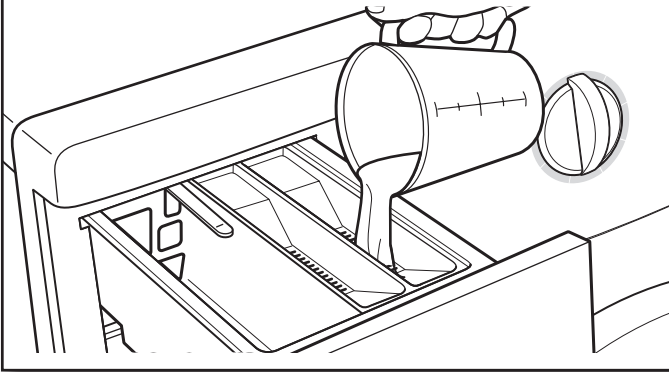
Verser une mesure de l’assouplissant pour tissu liquide dans le compartiment d’assouplissant pour tissu liquide. Toujours suivre les instructions du fabricant pour connaître la quantité d’assouplissant pour tissu adéquate en fonction de la taille de la charge.

L’assouplissant pour tissu est toujours distribué lors du rinçage final, même si l’on a sélectionné 2nd Rinse (deuxième rinçage).

IMPORTANT : Ne pas remplir excessivement le distributeur, diluer le produit ou utiliser plus de 1/2 de tasse (120 mL) d’assouplissant pour tissu. Ne pas remplir au-delà du niveau MAX. Si l’on remplit excessivement le distributeur, l’assouplissant pour tissu sera distribué dans la laveuse immédiatement.

- Ne pas renverser ou faire couler d’assouplissant pour tissu sur les vêtements.
- Ne pas utiliser de boules distributrices d’assouplissant pour tissu dans cette laveuse. Elles ne distribueront pas leur contenu correctement.
- Ne pas remplir au-delà du niveau “MAX”.

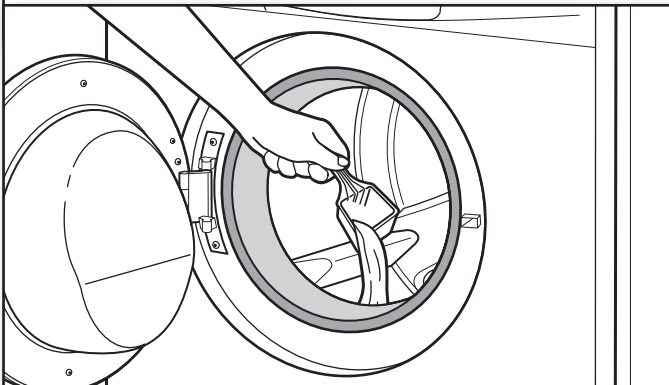
5. Ajouter de l'agent de blanchiment liquide au chlore dans le distributeur (si désiré)



Ajouter une mesure d'agent de blanchiment liquide au chlore dans le compartiment d'agent de blanchiment. Ne pas remplir excessivement le distributeur, diluer le produit ou utiliser plus de 1/2 de tasse (120 mL). Ne pas utiliser d'agent de blanchiment sans danger pour les couleurs ni de produit Oxi avec un programme utilisant de l'agent de blanchiment au chlore liquide. L'agent de blanchiment sera automatiquement dilué et distribué au moment approprié au cours du premier rinçage après le programme de lavage.

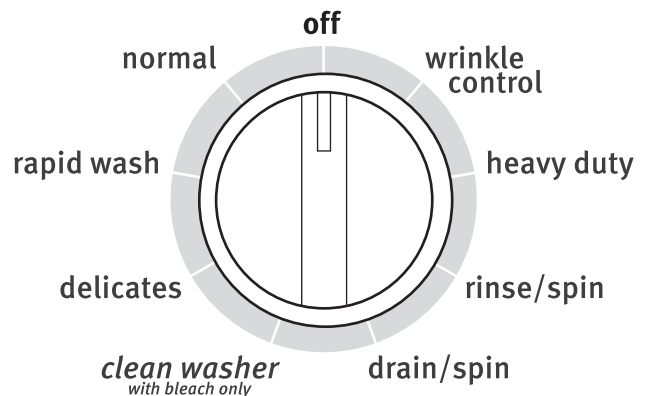
- Toujours mesurer l'agent de blanchiment liquide au chlore. Utiliser une tasse à mesurer avec un bec verseur; ne pas utiliser une quantité approximative.
- Ne pas remplir au-delà du niveau "MAX". Un remplissage excessif peut endommager les vêtements.
- Ne pas ajouter d'agent de blanchiment sans danger pour les couleurs ou de produit Oxi dans ce distributeur. Verser du produit Oxi ou de l'agent de blanchiment sans danger pour les couleurs dans le tambour avant de charger les vêtements dans la laveuse. Tenir compte des instructions figurant sur l'étiquette d'entretien des articles à laver.

6. Ajouter du produit Oxi ou de l'agent de blanchiment sans danger pour les couleurs (si désiré)



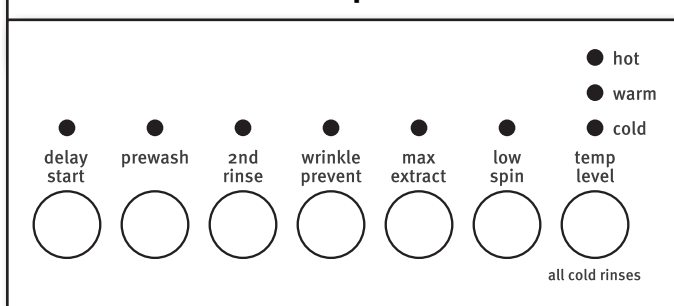
On peut ajouter des activateurs de type Oxi ou de l'agent de blanchiment sans danger pour les couleurs dans le tambour avant d'ajouter le linge.

7. Tourner le sélecteur de programme pour démarrer la laveuse



Mettre la laveuse en marche en tournant le sélecteur de programme et en sélectionnant l'un des programmes. Le témoin lumineux correspondant au programme sélectionné s'allumera. Lors de la sélection d'un programme de lavage, les pré réglages des modificateurs, options, température de l'eau et vitesse d'essorage pour le programme sélectionné seront allumés. Les pré réglages procurent les soins aux tissus recommandés pour le programme sélectionné. Voir "Guide de programmes."

8. Sélectionner les options désirées



Toutes les options ne sont pas disponibles avec tous les programmes. Voir "Tableau de commande et caractéristiques."

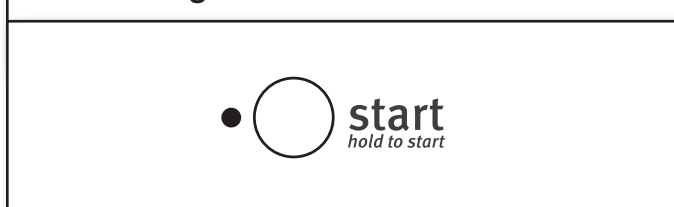
Les programmes et options peuvent être changés à tout moment tant que START (mise en marche) n'a pas été sélectionné.

Une fois que vous avez sélectionné un programme, sélectionner la température souhaitée.

REMARQUE : Toujours suivre les instructions des étiquettes de soin pour éviter d'endommager les vêtements.

Wash Temp (température de lavage)	Tissus suggérés
Hot (Chaude) De l'eau froide est ajoutée pour économiser de l'énergie. Ceci sera plus froid que le réglage du chauffe-eau pour l'eau chaude de votre domicile.	Blancs et couleurs claires Vêtements durables Saleté intense
Warm (Tiède) De l'eau froide sera ajoutée; il est donc possible que l'eau soit plus froide que celle que fournissait votre laveuse précédente.	Couleurs vives Saleté modérée à légère
Cold (Froide) De l'eau tiède est ajoutée pour favoriser l'élimination de la saleté et aider à dissoudre les détergents.	Couleurs foncées qui déteignent ou s'atténuent Saleté légère

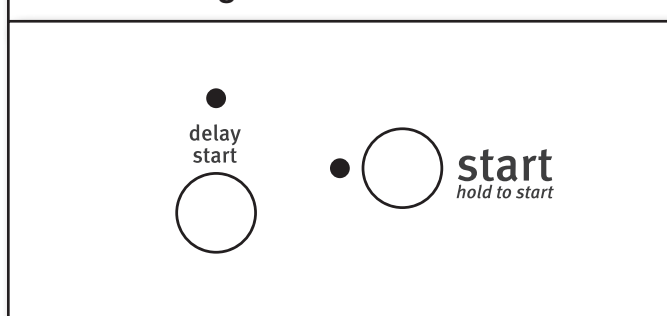
9. Appuyer sans relâcher sur START pour commencer le programme de lavage immédiatement



Appuyer sur START (mise en marche) pendant environ 3 secondes.

- Si vous n'appuyez pas sur START (mise en marche) dans un délai de 5 minutes après avoir choisi un programme, l'affichage de la laveuse s'éteint automatiquement.
- Lorsque le programme de lavage est terminé, le témoin lumineux DONE (terminé) s'allume, la porte se déverrouille et la charge peut être retirée de la laveuse. La laveuse se met automatiquement en mode veille après l'ouverture de la porte ou au bout d'une heure après la fin du programme; tous les affichages s'éteignent.
- Pour éteindre la laveuse manuellement une fois le programme terminé, mettre le bouton à la position Off (arrêt).

10. Appuyer DELAY START et START pour commencer le programme de lavage ultérieurement



Sélectionner DELAY WASH (lavage différé) jusqu'à ce que la durée de délai souhaitée (en heures) s'affiche. Sélectionner START (mise en marche). La fenêtre d'affichage indique le compte à rebours jusqu'au programme de lavage.

IMPORTANT : En cas de mise en marche différée d'un programme, utiliser seulement des détergents en poudre dans le compartiment de lavage principal car les détergents liquides risquent de suinter hors du compartiment avant le début du programme de lavage.

Pour remettre la laveuse en marche à tout moment, sélectionner CANCEL/DRAIN (annuler/vidanger).



ENTRETIEN DE LA LAVEUSE

ENTRETIEN DE LA LAVEUSE

Recommandations pour le maintien de la propreté de la laveuse et du niveau de performance optimal

1. Utiliser toujours un détergent HE (Haute efficacité) et employer la quantité de détergent recommandée par le fabricant du détergent HE. Ne jamais utiliser plus que la quantité recommandée de détergent, car ceci peut augmenter le taux d'accumulation de résidus de détergent et de souillures à l'intérieur de la laveuse, ce qui susciterait la formation d'odeurs indésirables.
2. Exécuter périodiquement des lavages avec de l'eau tiède ou chaude (pas exclusivement des lavages à l'eau froide), car l'eau chaude facilite l'élimination des résidus de détergent et de souillures.
3. Veiller à toujours laisser la porte de la laveuse entrouverte pour qu'elle puisse sécher, et pour éviter l'accumulation de résidus générateurs d'odeurs.

Nettoyage de la laveuse à chargement par l'avant

Lire complètement ces instructions avant d'entreprendre les opérations de nettoyage de routine recommandées ci-dessous. Le processus d'entretien de la laveuse devrait être exécuté au moins une fois par mois, ou à intervalles de 30 lavages (première limite atteinte); ceci permettra de minimiser l'accumulation de résidus de détergent et de souillures à l'intérieur de la laveuse.

Nettoyage du joint de la porte

1. Ouvrir la porte de la laveuse; retirer tous les articles présents dans la laveuse.
2. Inspecter le joint gris entre l'embrasure de la porte et le tambour – noter toute zone tachée ou d'accumulation de souillures. Tirer sur le joint et inspecter partout sous le joint – rechercher la présence éventuelle d'objets étrangers.
3. S'il y a des zones tachées ou d'accumulation de souillures, nettoyer ces zones du joint par essuyage, selon l'une des deux méthodes ci-dessous :
 - a. **Tampon de récurage affresh® Grit Grabber™ Cloth :**
 - i. Tirer doucement sur le joint en caoutchouc de la porte et nettoyer toute la surface avec la face rugueuse du tampon Grit Grabber™.
 - b. **Avec un agent de blanchiment liquide au chlore (dilué) :**
 - i. Préparer une solution diluée de l'agent de blanchiment au chlore – 3/4 tasse (177 mL) de l'agent de blanchiment au chlore liquide et 1 gallon (3,8 L) d'eau tiède puisée au robinet.
 - ii. Appliquer la solution sur les zones concernées du joint avec un chiffon imbibé de la solution diluée.
 - iii. Laisser le produit agir pendant 5 minutes.
 - iv. Essuyer parfaitement la surface du joint avec un chiffon sec, et laisser la porte de la laveuse ouverte pour que l'intérieur puisse sécher.

IMPORTANT :

- Porter des gants de caoutchouc lors des manipulations de l'agent de blanchiment au chlore.
- Consulter et observer les instructions et recommandations du fabricant pour l'utilisation appropriée de l'agent de blanchiment au chlore.

ENTRETIEN DE LA LAVEUSE (suite)

Nettoyage de l'intérieur de la laveuse

Cette laveuse comporte un programme spécial avec utilisation d'un volume d'eau important en conjonction avec le nettoyant pour laveuse affresh® ou un agent de blanchiment liquide au chlore pour le nettoyage approfondi de l'intérieur de la laveuse. Les modèles avec génération de vapeur utilisent également la vapeur avec ce programme spécial pour le nettoyage approfondi de l'appareil.

REMARQUE : Lire complètement ces instructions avant d'entreprendre les opérations de nettoyage.

Commencement du processus de nettoyage

1. **Programme avec nettoyant pour laveuse affresh® (Recommandé – Performance supérieure) :**
 - a. Ouvrir la porte de la laveuse; retirer tous les articles présents dans la laveuse.
 - b. Ajouter une pastille de nettoyant pour laveuse affresh® dans le tambour de la laveuse.
 - c. Ne pas ajouter de pastille de nettoyant pour laveuse affresh® dans le tiroir du distributeur.
 - d. Ne pas ajouter de détergent ou autre composé chimique dans la laveuse lors de l'exécution de cette opération.
 - e. Fermer la porte de la laveuse.
 - f. Sélectionner le programme CLEAN WASHER (nettoyage de la laveuse).
 - g. Appuyer sur le bouton START (mise en marche) pour lancer le programme. Le processus du programme de nettoyage de la laveuse est décrit ci-dessous.
2. **Méthode avec l'agent de blanchiment au chlore :**
 - a. Ouvrir la porte de la laveuse; retirer tous les articles présents dans la laveuse.
 - b. Ouvrir le tiroir du distributeur et ajouter 2/3 tasse (160 mL) de l'agent de blanchiment liquide au chlore dans le compartiment du distributeur d'agent de blanchiment au chlore.

REMARQUE : L'emploi répétitif d'une quantité d'agent de blanchiment liquide au chlore supérieure à ce qui est recommandé ci-dessus pourrait faire subir des dommages à la laveuse.

 - c. Fermer la porte de la laveuse et le tiroir du distributeur.
 - d. Ne pas ajouter de détergent ou autre composant chimique dans la laveuse lors de l'exécution de cette opération.
 - e. Fermer la porte de la laveuse.
 - f. Sélectionner le programme CLEAN WASHER (nettoyage de la laveuse).
 - g. Appuyer sur le bouton START (mise en marche) pour lancer le programme. Le processus du programme de nettoyage de la laveuse est décrit ci-dessous.

ENTRETIEN DE LA LAVEUSE (suite)

Description du programme de nettoyage de la laveuse :

1. Le programme Clean Washer (nettoyage de la laveuse) détecte la présence éventuelle de linge dans la laveuse.
2. Si aucun article n'est détecté dans la laveuse, l'exécution du programme se poursuit à l'étape 3.
 - a. Si un quelconque article est détecté dans la laveuse, le code "rL" (retirer la charge) est présenté sur l'afficheur, et le témoin Controls Lock (verrouillage des commandes) reste illuminé. La porte se déverrouille. Ouvrir la laveuse et retirer tout le linge qui se trouve dans le tambour de la laveuse.
 - b. Appuyer sur le bouton CANCEL/DRAIN (annulation/vidage) de l'appareil pour faire disparaître le code "rL" de l'afficheur.
 - c. Appuyer sur le bouton START (mise en marche) pour redémarrer le programme.
3. Après l'achèvement du programme, laisser la porte de la laveuse entrouverte pour que l'intérieur puisse sécher et pour permettre l'aération.

Annulation du programme de nettoyage de la laveuse :

Si l'utilisateur décide d'annuler l'exécution du programme de nettoyage de la laveuse après le lancement du programme, un délai qui peut atteindre 30 minutes est nécessaire pour que l'appareil puisse éliminer le produit nettoyant affresh®, l'agent de blanchiment au chlore ou tout autre composé chimique du circuit de lavage et rincer adéquatement le circuit de lavage. La porte de la laveuse demeurera verrouillée jusqu'à la fin de l'exécution du processus. Ceci empêche le transfert de résidus du produit chimique de nettoyage aux charges de linge ultérieures et minimise ainsi le risque de détérioration du linge ou de l'appareil lui-même.

Processus d'annulation du programme de nettoyage de la laveuse :

1. Appuyer deux fois sur le bouton CANCEL/DRAIN (annulation/vidage) de la laveuse.
2. L'appareil entreprend une opération de vidage et élimination des composés chimiques de nettoyage.
3. Le processus d'annulation du programme sera exécuté en approximativement 30 minutes ou moins.
4. L'utilisateur peut ensuite exécuter de nouveau sur la laveuse le programme de nettoyage de la laveuse, ou sélectionner un programme de lavage quelconque pour laver une charge de linge.

Nettoyage de l'extérieur de la laveuse

Utiliser un chiffon doux humide ou une éponge pour éliminer les traces de tout renversement de produit. Essuyer occasionnellement les surfaces externes de la laveuse pour entretenir son aspect de produit neuf.

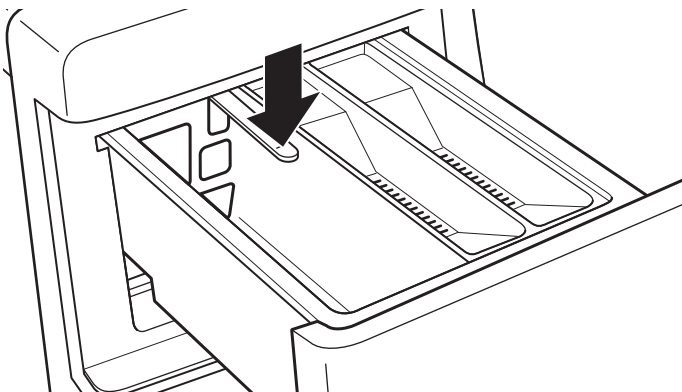
IMPORTANT : Pour ne pas endommager la finition de la laveuse, ne jamais utiliser un produit abrasif.

ENTRETIEN DE LA LAVEUSE (suite)

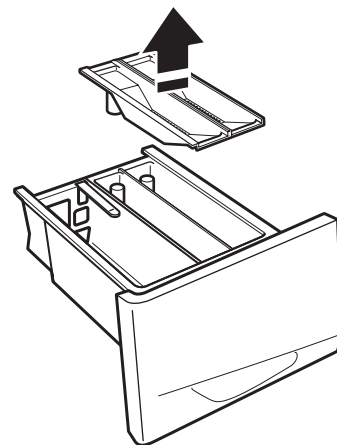
Retrait du distributeur

Retrait :

1. Débloquer le tiroir du distributeur en appuyant sur le levier de dégagement du distributeur ("Tableau de commande et caractéristiques"). Retirer le tiroir.



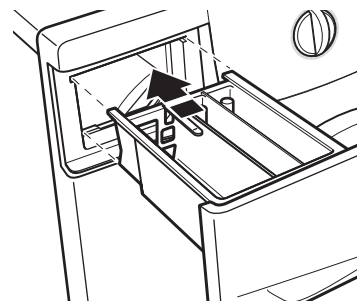
2. Ôter les séparateurs (le siphon des compartiments de l'assouplissant de tissu et de l'agent de blanchiment).
3. On trouvera peut-être des traces de produits de lessive dans les compartiments de distributeurs. Pour éliminer ces traces, laver les pièces sous l'eau du robinet.



REMARQUE : Ne pas laver les composants au lave-vaisselle.

Réinstallation :

Réinstaller les séparateurs et remettre le distributeur dans le tiroir.



ENTRETIEN DE LA LAVEUSE

NON UTILISATION ET ENTRETIEN EN PÉRIODE DE VACANCES

Faire fonctionner la laveuse seulement lorsqu'on est présent. En cas de déménagement ou si l'on n'utilise pas la laveuse pendant longtemps, suivre les étapes suivantes :

1. Débrancher la laveuse ou déconnecter la source de courant électrique.
2. Fermer l'alimentation en eau à la laveuse pour éviter toute inondation due à une surpression.
3. Nettoyer le distributeur. Consulter "Entretien de la laveuse".

ENTRETIEN POUR ENTREPOSAGE HIVERNAL

IMPORTANT : Pour éviter tout dommage, installer et remettre la laveuse à l'abri du gel. L'eau qui peut rester dans les tuyaux risque d'abîmer la laveuse en temps de gel. Si la laveuse doit faire l'objet d'un déménagement ou d'entreposage au cours d'une période de gel, hivériser la laveuse.

Hivérisation de la laveuse :

1. Fermer les deux robinets d'eau; déconnecter et vidanger les tuyaux d'arrivée d'eau.
2. Placer 1 L d'antigel pour véhicule récréatif dans le panier et faire fonctionner la laveuse sur un programme Drain/Spin (vidange/essorage) pendant environ 1 minute pour mélanger l'antigel et l'eau restante.
3. Débrancher la laveuse ou déconnecter la source de courant électrique.

IMPORTANT : Pour réduire le risque de défaillance intempestive, remplacer les tuyaux d'arrivée d'eau tout les cinq ans et les inspecter régulièrement pour vérifier l'absence de déformations, de coupures, d'usure ou de fuites d'eau.

CONSEIL UTILE : Lors du remplacement des tuyaux d'arrivée d'eau, noter la date de remplacement au marqueur indélébile sur l'étiquette.

TRANSPORT DE LA LAVEUSE

1. Fermer les deux robinets d'eau. Débrancher et vidanger les tuyaux d'arrivée d'eau. Fixer les tuyaux à la partie arrière de la laveuse.
2. Si l'on déplace la laveuse pendant une période de gel, suivre les instructions de la section ENTRETIEN POUR ENTREPOSAGE HIVERNAL avant de la déplacer.
3. Déconnecter le tuyau d'évacuation du système d'évacuation et le fixer aux attaches de la partie arrière.
4. Débrancher le cordon d'alimentation.
5. Placer les tuyaux d'arrivée d'eau et le tuyau d'évacuation dans le panier de la laveuse.
6. Enrouler le cordon d'alimentation et l'attacher avec un élastique ou avec un attache-câble pour l'empêcher de traîner sur le plancher.

IMPORTANT: Demander une intervention de dépannage si l'on doit installer de nouveau boulons de transport. Ne pas réutiliser les boulons de transport. La laveuse doit être transportée en position verticale. Afin d'éviter d'endommager la structure de la laveuse, celle-ci doit être correctement installée pour pouvoir être déplacée par un technicien agréé.

⚠ AVERTISSEMENT



Risque de choc électrique

Brancher sur une prise à 3 alvéoles reliée à la terre.

Ne pas enlever la broche de liaison à la terre.

Ne pas utiliser un adaptateur.

Ne pas utiliser un câble de rallonge.

Le non-respect de ces instructions peut causer un décès, un incendie ou un choc électrique.

RÉINSTALLATION/RÉUTILISATION DE LA LAVEUSE

Pour réinstaller la laveuse après une période de non-utilisation, de vacances, de remisage pour l'hiver ou après un déménagement :

1. Consulter les "Instructions d'installation" pour choisir l'emplacement, régler l'aplomb de la laveuse et la raccorder.
2. Avant de réutiliser la laveuse, exécuter la procédure recommandée suivante :

Remise en marche de la laveuse :

1. Vidanger les canalisations d'eau et les tuyaux. Reconnecter les tuyaux d'arrivée d'eau. Ouvrir les deux robinets d'eau.
2. Brancher la laveuse ou reconnecter la source de courant électrique.
3. Faire exécuter à la laveuse le programme Normal pour nettoyer la laveuse et éliminer l'antigel, le cas échéant. Utiliser uniquement un détergent HE. Utiliser la moitié de la quantité recommandée par le fabricant pour une charge de taille moyenne.

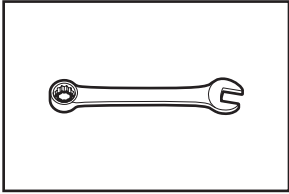
INSTRUCTIONS D'INSTALLATION

EXIGENCES D'INSTALLATION

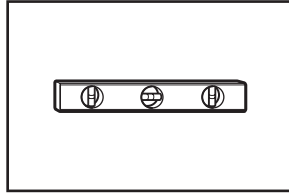
Outillage et pièces

Rassembler les outils et pièces nécessaires avant de commencer l'installation.

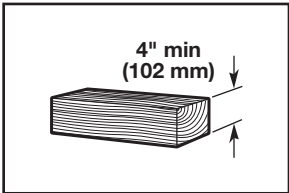
Outillage nécessaire :



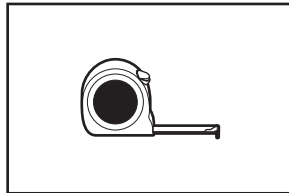
Clés plates ou clés à molette de 15/32" (12 mm) et 1/2" (13 mm)



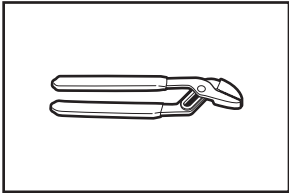
Niveau



Cale en bois



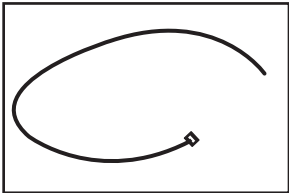
Règle ou mètre ruban



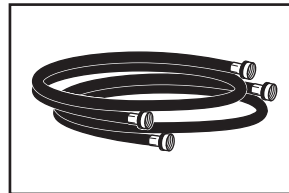
Pince avec ouverture jusqu'à 1 3/16" (39.5 mm)

Pièces fournies :

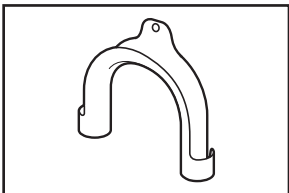
REMARQUE: Toutes les pièces fournies pour l'installation se trouvent dans le panier de la laveuse.



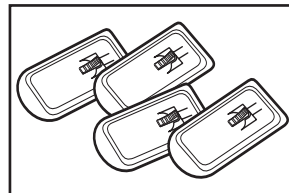
Attache-câble



2 tuyaux d'arrivée d'eau avec rondelles plates

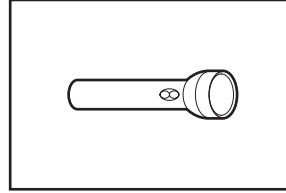


Bride de retenue pour tuyau de vidange (en forme de U)

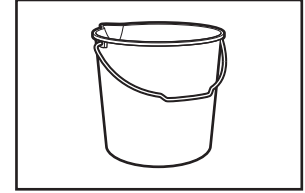


Bouchons d'obturation de trous de boulons de transport (4)

Outillage facultatif :



Lampe de poche

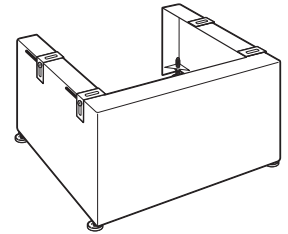


Seau

Options:

Piédestal :

Vous pouvez acheter un piédestal pour cette laveuse. Vous pouvez choisir un piédestal de 11,8" (300 mm). Le piédestal augmentera la hauteur totale de la laveuse.



Hauteur du piédestal	Hauteur approximative avec laveuse	Couleur	Numéro de modèle
11,8" (300 mm)	44,7" (1135 mm)	Blanc	LAB0050PQ

Autres pièces : (Non fournies avec la laveuse)

Il se peut que l'installation nécessite des pièces supplémentaires. Pour commander, consulter les numéros d'appel sans frais figurant sur la page de couverture de ce manuel.

Si vous avez :

Évier de buanderie ou tuyau de rejet à l'égout plus haut que 55" (1,4 m)

Un égout surélevé

Système de vidange plancher

Un tuyau de vidange trop court

Robinets d'eau hors d'atteinte des tuyaux d'admission

Il vous faudra :

Système de pompe de puisard (si non déjà disponible)

Tuyau de vidange standard de 20 gal. (76 L) de 30" (762 mm) de haut ou évier de décharge, pompe de puisard et connecteurs (disponibles chez les vendeurs de matériel de plomberie locaux)

Ensemble de brise-siphon, pièce au 285834
Ensemble de raccordement (x2), pièce numéro 285835
Tuyau de vidange additionnel, pièce n° 8318155

Tuyau de vidange supplémentaire, pièce numéro 285863
Ensemble de connection, pièce numéro 285835

2 tuyaux d'admission d'eau plus longs :
6 pi (1,8 m), pièce n° 76314
10 pi (3,0 m), pièce n° 350008

Ensemble de superposition :

Prévoyez-vous de superposer votre laveuse et votre sècheuse? Pour ce faire, vous devrez acheter un ensemble de superposition.

Pour commander, téléphoner au marchand chez qui vous avez acheté votre laveuse ou consulter la section "Assistance ou service". Demander la pièce n° W10178021.

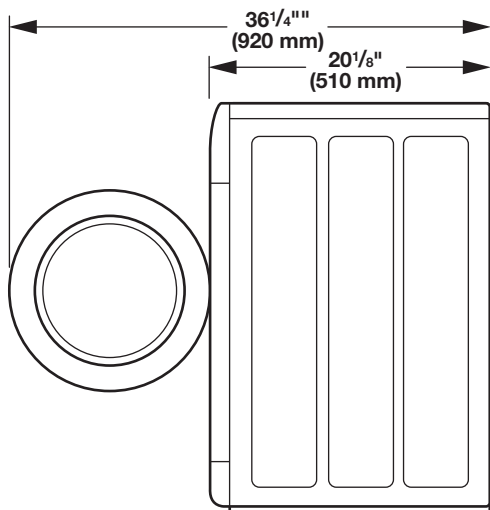
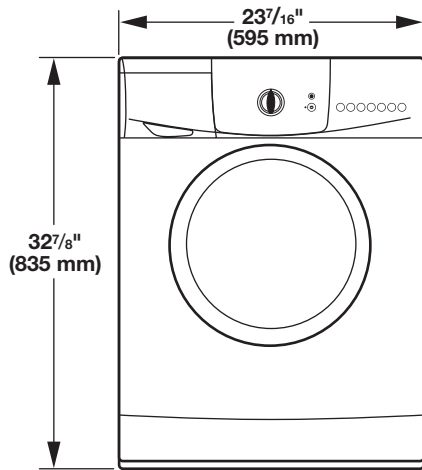
EXIGENCES D'EMPLACEMENT

C'est à l'utilisateur qu'incombe la responsabilité de réaliser une installation correcte.

Il vous faudra :

- Un chauffe-eau réglé à 120° F (49° C).
- Une prise électrique reliée à la terre et située à moins de 5,4 pi (1,7 m) du cordon d'alimentation situé à l'arrière de la laveuse.
- Des robinets d'eau chaude et d'eau froide situés à moins de 4 pi (1,2 m) des électrovannes de remplissage d'eau chaude et d'eau froide situées sur la laveuse et une pression d'eau de 20 à 100 lb/po² (137,9 à 689,6 kPa).
- Un plancher de niveau avec une pente maximale de 1" (25 mm) sous l'ensemble de la laveuse. Il n'est pas recommandé de l'installer sur un tapis, de la moquette ou des surfaces avec endos en mousse.
- Un plancher capable de supporter le poids total de 400 lb (180 kg) de la laveuse (eau et charge comprises).

IMPORTANT: Ne pas installer, remiser ou faire fonctionner la laveuse à un emplacement où elle sera exposée aux intempéries ou à des températures inférieures à 32° F (0° C). De l'eau restée dans la laveuse après utilisation peut causer des dommages à basse température. Voir "Entretien de la laveuse" pour des renseignements sur l'hivernisation.

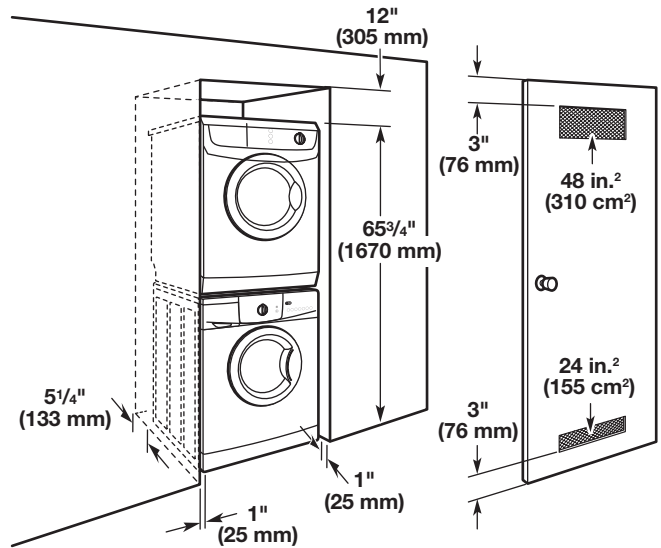


Toutes les dimensions représentent les dégagements recommandés permis, hormis pour les ouvertures de ventilation de la porte du placard qui correspondent aux dimensions minimales nécessaires.

Pour chaque configuration, on peut éventuellement laisser davantage de dégagement pour faciliter l'installation et l'entretien; des distances de séparation pur les appareils ménagers voisins et des dégagements pour les murs, les portes et les moulures de plancher.

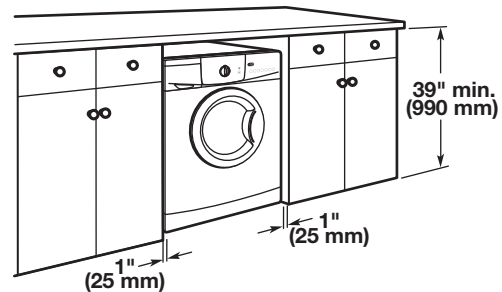
Le dégagement octroyé doit permettre à la porte de s'ouvrir complètement. Ajouter un espace supplémentaire de 1" (25 mm) de tous les côtés de la laveuse pour réduire le transfert de bruit. Si l'on installe une porte de placard ou une porte à persiennes, des ouvertures d'aération au sommet et au bas de la porte sont nécessaires.

Installation dans un encastrement ou un placard (laveuse et sècheuse superposées) :

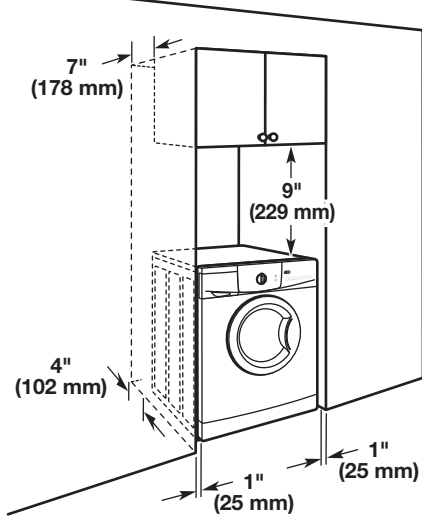


*Le coude d'évacuation externe nécessite davantage d'espace.

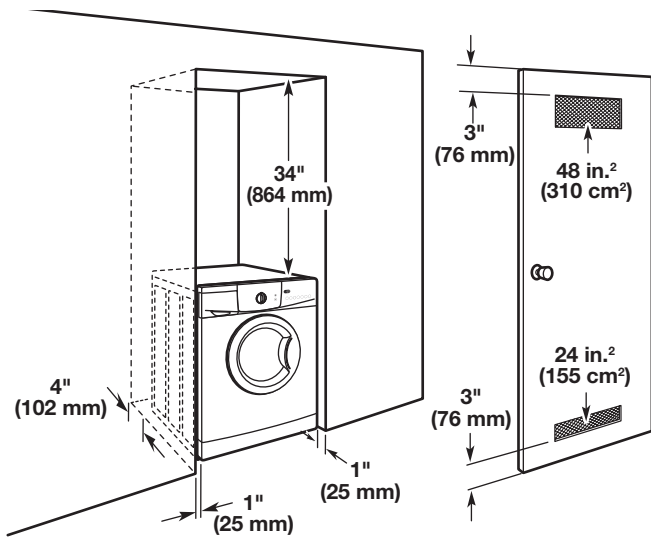
Installation sous comptoir personnalisée :



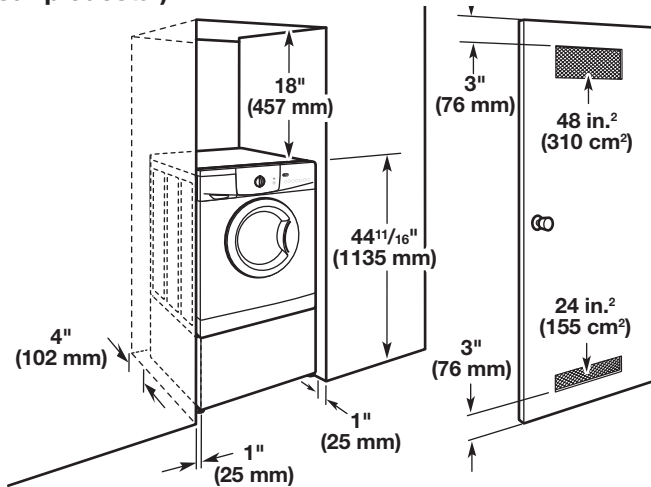
Installation dans un placard personnalisée :



Installation dans un encastrement ou un placard (laveuse uniquement) :



Installation dans un encastrement ou placard (laveuse sur piedestal)

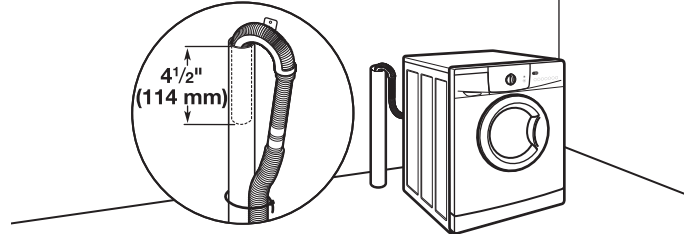


SYSTÈME DE VIDANGE

Le système de vidange de la laveuse peut être installé à l'aide d'un conduit d'évacuation au plancher, un tuyau de rejet à l'égout au plancher ou mural ou un évier de buanderie. Sélectionner la méthode à utiliser.

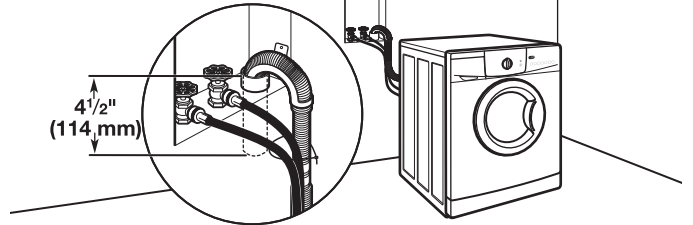
IMPORTANT : Pour éviter un effet de siphon, ne pas introduire plus de 4 1/2" (114 mm) de tuyau de vidange à l'intérieur du tuyau rigide de rejet à l'égout. Toujours immobiliser le tuyau de vidange avec un attache-câble.

Système de vidange avec tuyau de rejet à l'égout au plancher



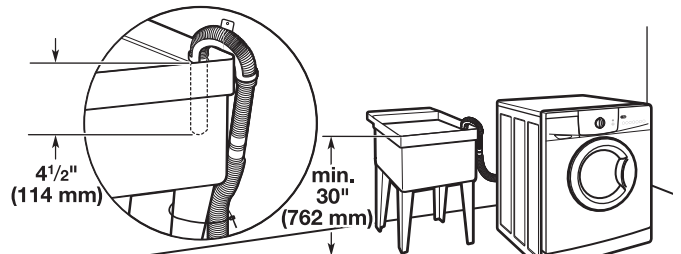
Diamètre minimal pour un tuyau rigide de rejet à l'égout : 2" (51 mm). Capacité minimale d'acheminement : 17 gal. (64 L) par minute. Un ensemble d'adaptateur de tuyau rigide de rejet à l'égout de 1/4" (6 mm) à 1" (25 mm) de diamètre est disponible (pièce numéro 3363920). Le sommet du tuyau de rejet à l'égout doit avoir une hauteur d'au moins 30" (762 mm); ne pas l'installer à plus de 55" (1,4 m) du fond de la laveuse. Si l'on possède un égout surélevé et que l'on doit l'installer à plus de 96" (2,44 m) de hauteur, un système de pompe de puisard (avec tout le matériel en rapport) est nécessaire. Voir "Autres pièces".

Système de vidange avec tuyau de rejet à l'égout mural



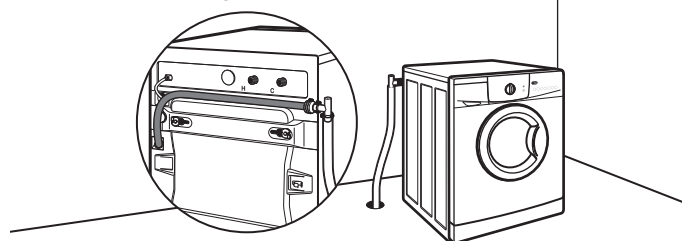
Voir les exigences pour le système de vidange avec tuyau rigide de rejet à l'égout au plancher.

Système de vidange dans un évier de buanderie



Capacité minimale : 20 gal. (76 L). Le sommet de l'évier de buanderie doit se trouver à au moins 30" (762 mm) du plancher; ne pas l'installer à plus de 55" (1,4 m) du fond de la laveuse.

Système de vidange au plancher



Le système de vidange au plancher nécessite un ensemble de brise-siphon (pièce numéro 285834), deux ensembles de raccordement (pièce numéro 285835) et une rallonge de tuyau de vidange (pièce numéro 285863) qui peuvent être achetés séparément. Voir "Autres pièces". Hauteur minimale du brise-siphon : 28" (710 mm) à partir du fond de la laveuse. (Des tuyaux supplémentaires peuvent être requis).

SPÉCIFICATIONS ÉLECTRIQUES

⚠ AVERTISSEMENT



Risque de choc électrique

Brancher sur une prise à 3 alvéoles reliée à la terre.

Ne pas enlever la broche de liaison à la terre.

Ne pas utiliser un adaptateur.

Ne pas utiliser un câble de rallonge.

Le non-respect de ces instructions peut causer un décès, un incendie ou un choc électrique.

- Une alimentation de 120 volts, 60 Hz, CA seulement, de 15 ou 20 ampères, protégée par un fusible est requise. On recommande l'emploi d'un fusible ou d'un disjoncteur temporisé. Il est recommandé de raccorder l'appareil sur un circuit distinct exclusif à cet appareil.
- Cette laveuse comporte un cordon d'alimentation électrique à trois broches pour liaison à la terre.
- Pour minimiser les risques de choc électrique, on doit brancher le cordon sur une prise de courant de configuration correspondante, à 3 alvéoles, reliée à la terre et installée conformément aux codes et règlements locaux. Si une prise de courant de configuration correspondante n'est pas disponible, le client a la responsabilité et l'obligation de faire installer par un électricien qualifié une prise de courant correctement reliée à la terre.
- Si les codes le permettent et si l'on utilise un conducteur distinct de liaison à la terre, il est recommandé qu'un électricien qualifié vérifie la qualité de la liaison à la terre.
- Ne pas utiliser une tuyauterie de gaz pour le raccordement à la terre.
- En cas de doute quant à la qualité de la liaison à la terre de la laveuse, consulter un électricien qualifié.
- Ne pas installer un fusible dans le conducteur neutre ou le circuit de liaison à la terre.

INSTRUCTIONS DE LIAISON À LA TERRE

Pour une laveuse reliée à la terre et connectée par un cordon :

Cette laveuse doit être reliée à la terre. En cas d'anomalie de fonctionnement ou de panne, la liaison à la terre réduira le risque de choc électrique en offrant au courant électrique un itinéraire d'évacuation de moindre résistance. Cette laveuse est alimentée par un cordon électrique comportant un conducteur relié à la terre et une fiche de branchement munie d'une broche de liaison à la terre. La fiche doit être branchée sur une prise de courant appropriée qui est bien installée et reliée à la terre conformément à tous les codes et règlements locaux.

AVERTISSEMENT : Le raccordement incorrect de cet appareil au conducteur de liaison à la terre peut susciter un risque de choc électrique. En cas de doute quant à la qualité de la liaison à la terre de l'appareil, consulter un électricien ou technicien d'entretien qualifié.

Ne pas modifier la fiche de branchement fournie avec l'appareil – si la fiche ne correspond pas à la configuration de la prise de courant, demander à un électricien qualifié d'installer une prise de courant convenable.

Pour une laveuse raccordée en permanence :

Cette laveuse doit être raccordée à un système de câblage permanent en métal relié à la terre ou un conducteur relié à la terre doit être en fonction avec les conducteurs de circuit et raccordés à la borne de liaison à la terre ou la borne sur l'appareil ménager.

INSTRUCTIONS D'INSTALLATION

⚠ AVERTISSEMENT

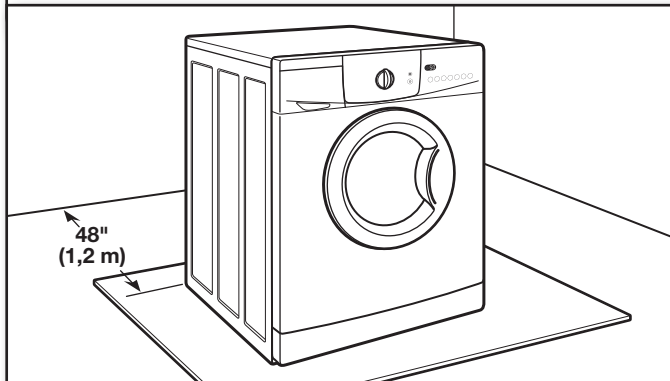
Risque du poids excessif

Utiliser deux ou plus de personnes pour déplacer et installer la laveuse.

Le non-respect de cette instruction peut causer une blessure au dos ou d'autre blessure.

REMARQUE : Pour éviter d'endommager le plancher, installer la laveuse sur un carton avant de la déplacer.

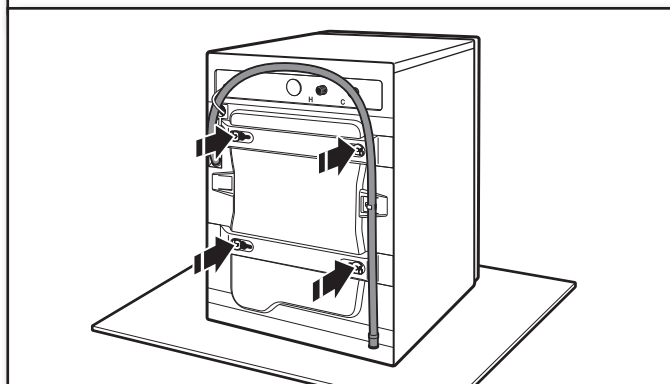
1. Déplacer la laveuse



Il est nécessaire de retirer tout le matériel d'expédition pour un fonctionnement correct et pour éviter que la laveuse ne fasse trop de bruit.

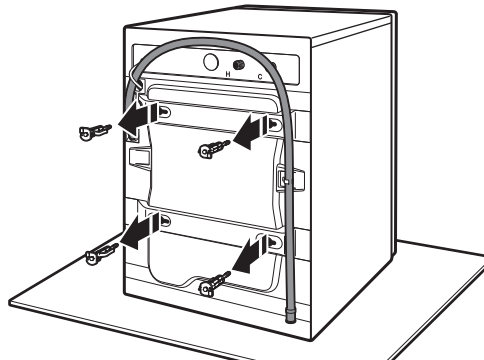
Déplacer la laveuse à moins de 48" (1,2 m) de son emplacement final, elle doit être en position complètement verticale.

2. Localiser les boulons de transport



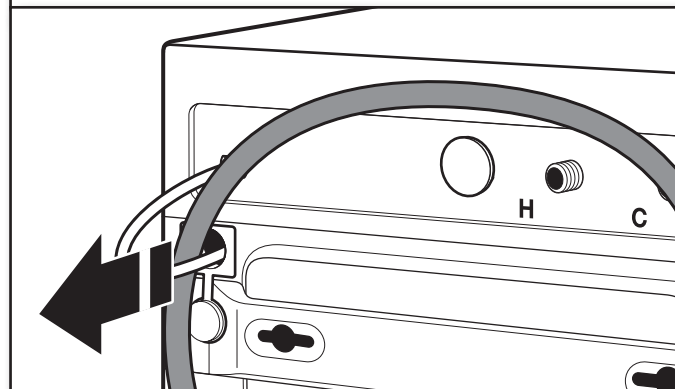
Localiser quatre boulons de transport situés l'arrière de la laveuse.

3. Retirer les boulons de transport de la laveuse



Desserrer les boulons avec une clé de 15/32" (12 mm). Une fois le boulon desserré, le déplacer au centre du trou et retirer complètement le boulon, y compris la cale d'espacement en plastique couvrant le boulon.

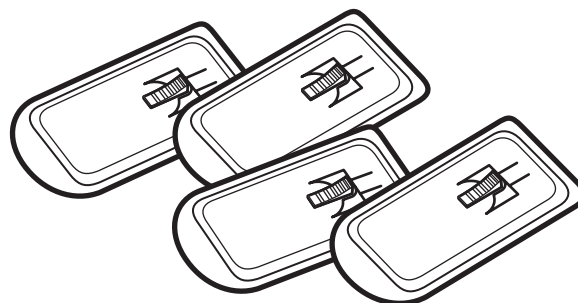
4. Retirer le cordon d'alimentation



Tirer sur le cordon d'alimentation pour le dégager de l'ouverture du panneau arrière.

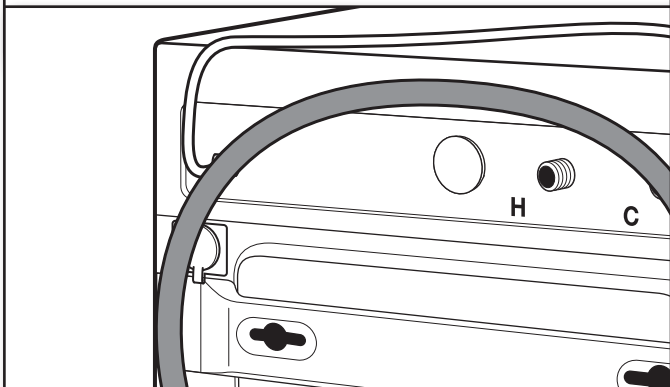
REMARQUE : Si la laveuse doit être transportée ultérieurement, contacter le centre de service local afin d'éviter d'endommager la suspension et la structure de la laveuse : un technicien agréé doit préparer la laveuse correctement avant tout déplacement.

5. Recouvrir les trous des boulons de transport avec les bouchons d'obturation



Obturer les trous des boulons à l'arrière de la caisse à l'aide des bouchons d'obturation des trous de boulons de transport fournis avec les pièces de la laveuse.

6. Placer le cordon d'alimentation par-dessus la console



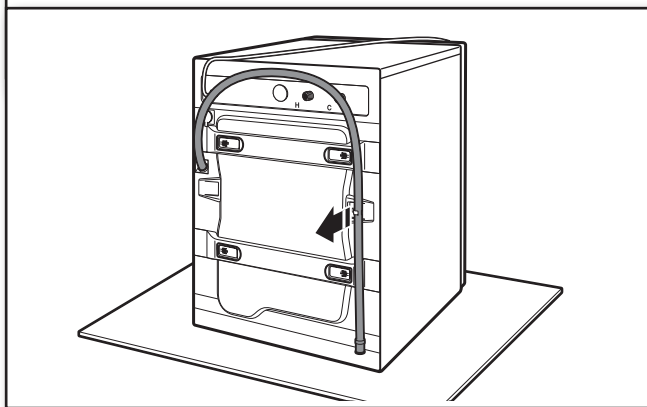
Retirer la sangle jaune d'expédition du cordon. Placer délicatement le cordon d'alimentation par dessus la laveuse pour permettre le libre accès à l'arrière de la laveuse.

IMPORTANT : Ne pas brancher la laveuse avant d'avoir terminé l'installation.

ACHEMINER LE TUYAU D'ÉVACUATION

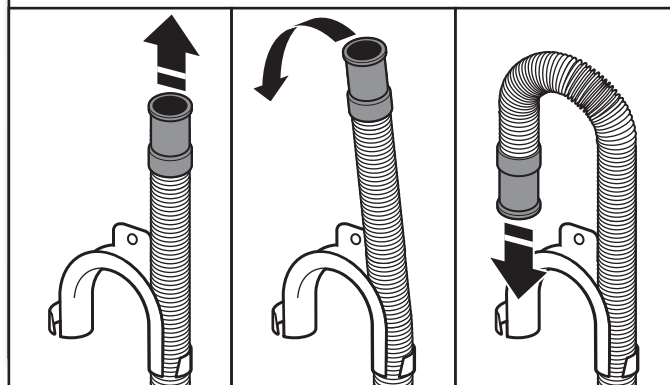
Le bon acheminement du tuyau de vidange protège vos planchers contre les dommages imputables à une fuite d'eau. Lire et suivre ces instructions.

7. Retirer le tuyau de vidange de la laveuse



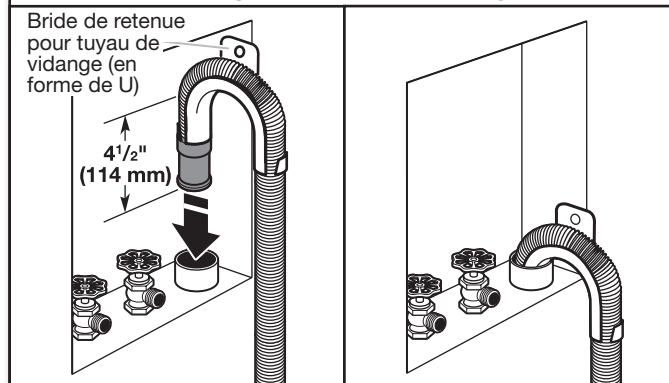
Tirer doucement pour dégager le tuyau d'évacuation (matériau ondulé) des agrafes d'arrimage.

8. Raccorder le système de vidange de l'évier de buanderie ou la courroie du tuyau rigide de rejet à l'égout (installations avec vidange au plancher uniquement)



Pour les installations avec vidange au plancher, il faut raccorder la bride de retenue pour tuyau de vidange à l'extrémité du tuyau de vidange. Des pièces supplémentaires avec des directives distinctes seront peut-être nécessaires. Voir "Autres pièces".

9. Placer le tuyau de vidange dans le tuyau rigide de rejet à l'égout



Placer le tuyau dans le tuyau rigide de rejet à l'égout (illustré sur l'image) ou par-dessus le côté de l'évier de buanderie.

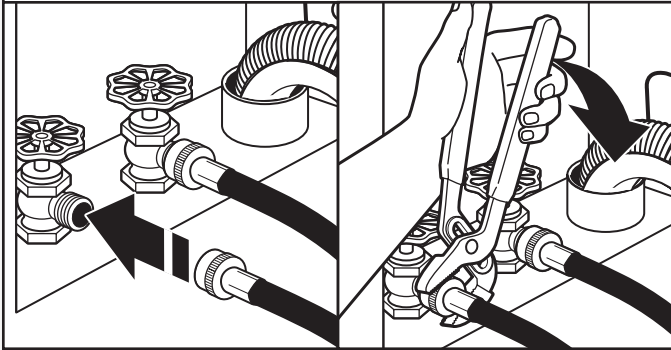
IMPORTANT : 4 1/2" (114 mm) du tuyau de vidange doit être à l'intérieur du tuyau de rejet à l'égout; ne pas forcer l'excédent de tuyau dans le tuyau rigide de rejet à l'égout ni le placer dans l'évier de buanderie. On doit utiliser la bride de retenue pour tuyau de vidange.

RACCORDEMENT DES TUYAUX D'ARRIVÉE D'EAU

La laveuse doit être raccordée aux robinets à l'aide de tuyaux d'arrivée d'eau neufs dotés de rondelles plates (non compris). Ne pas utiliser de tuyaux usagés.

REMARQUE : Les deux tuyaux doivent être fixés et l'eau doit pénétrer dans les robinets d'arrivée d'eau. Pour une performance optimale, la laveuse doit être approvisionnée en eau chaude et en eau froide.

10. Raccorder les tuyaux d'arrivée d'eau aux robinets



Fixer le tuyau au robinet d'eau chaude. Visser le raccord à la main pour qu'il repose sur la rondelle. Serrer les raccords de deux tiers de tour supplémentaires à l'aide d'une pince. Répéter cette étape avec le deuxième tuyau pour le robinet d'eau froide.

IMPORTANT : Ne pas serrer excessivement ni utiliser de ruban adhésif ou de dispositif d'étanchéité sur la valve lors de la fixation aux robinets ou à la laveuse. Cela pourrait entraîner des dommages.

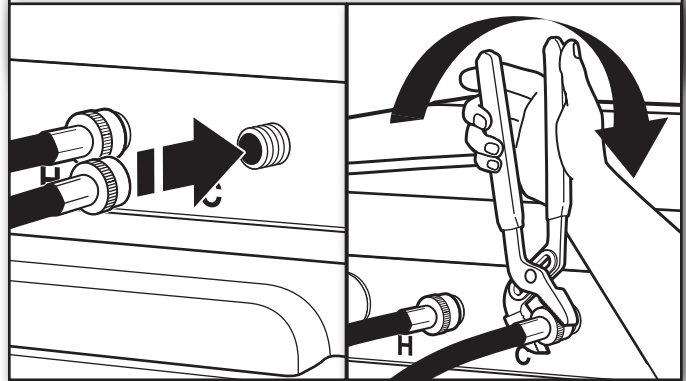
CONSEIL UTILE : Repérer quel tuyau est raccordé à l'eau chaude pour permettre une fixation correcte des tuyaux à la laveuse. Dans la plupart des configurations standard, les tuyaux se croisent lorsque fixés correctement.

11. Purger les canalisations d'eau



Faire couler l'eau par les tuyaux dans l'évier de buanderie, le tuyau rigide de rejet à l'égout ou le seau pendant quelques secondes pour éviter toute obstruction. On doit laisser couler l'eau jusqu'à ce qu'elle soit limpide.

12. Raccorder les tuyaux d'arrivée d'eau à la laveuse

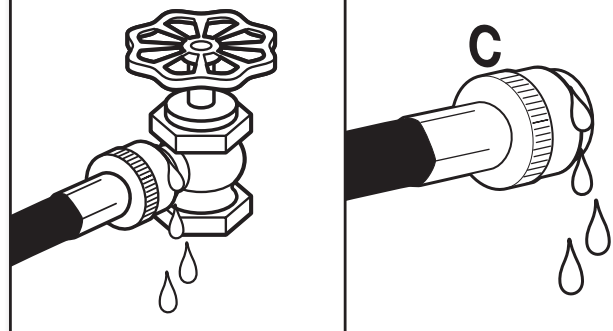


Fixer le tuyau d'eau chaude au robinet d'arrivée d'eau chaude. Visser le raccord à la main jusqu'à ce qu'il soit bien serré. Serrer les raccords de deux tiers de tour supplémentaires à l'aide d'une pince. Répéter pour le robinet d'eau froide.

IMPORTANT : Pour réduire le risque de défaillance des tuyaux, remplacer les tuyaux tous les 5 ans. Inscire la date d'installation ou de remplacement des tuyaux pour référence ultérieure.

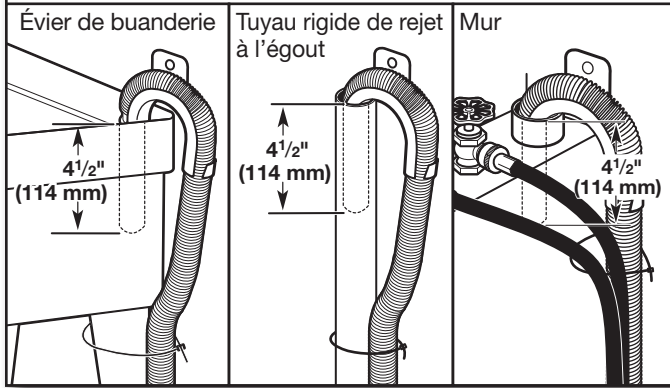
- Inspecter périodiquement les tuyaux et les remplacer en cas de renflement, de déformation, de coupure, d'usure ou si une fuite se manifeste.

13. Rechercher les fuites éventuelles



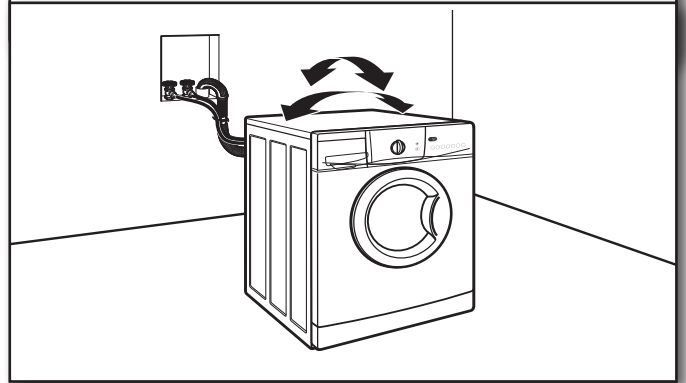
Ouvrir lentement les robinets d'eau pour vérifier qu'il n'y a pas de fuite. Une petite quantité d'eau peut entrer dans la laveuse. Elle s'évacuera plus tard.

14. Immobiliser le tuyau de vidange



Fixer le tuyau de vidange au pied de l'évier de buanderie, au tuyau de rejet à l'égout ou aux tuyaux d'arrivée d'eau pour le tuyau de rejet à l'égout mural avec l'attache-câble.

16. Faire basculer la laveuse pour tester la stabilité des pieds sur le plancher

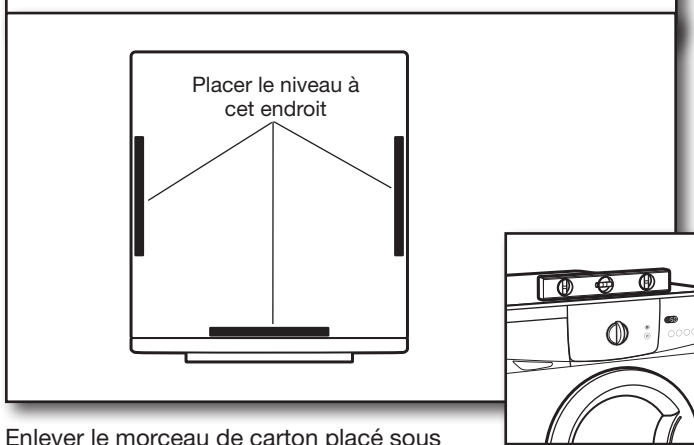


Saisir la laveuse par le dessus et la faire basculer d'avant en arrière tout en s'assurant que les quatre pieds sont en contact ferme avec le plancher. Faire de nouveau basculer la laveuse, transversalement. Si la laveuse bascule, passer à l'étape 17 et ajuster les pieds de nivellement. Si les quatre pieds sont en contact ferme avec le plancher, passer à l'étape 18.

ÉTABLISSEMENT DE L'APLOMB DE LA LAVEUSE

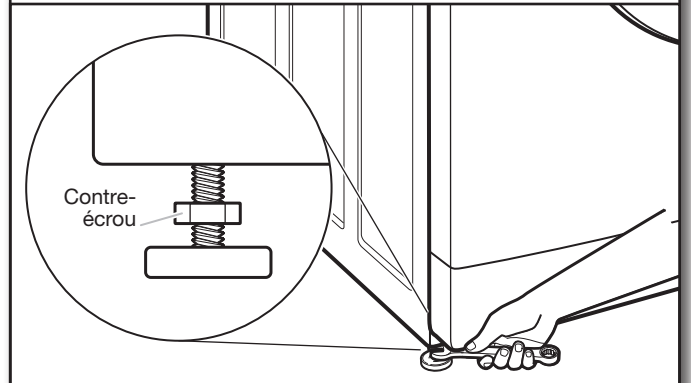
L'établissement correct de l'aplomb de la laveuse permet de réduire les nuisances sonores et de limiter les vibrations.

15. Contrôler l'aplomb de la laveuse



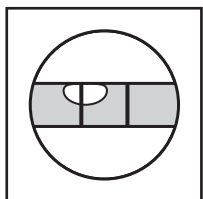
Enlever le morceau de carton placé sous la laveuse. Placer un niveau sur les bords supérieurs de la laveuse en contrôlant chaque côté et l'avant. Si elle n'est pas d'aplomb, faire basculer la laveuse et régler les pieds vers le haut ou vers le bas tel qu'indiqué dans les étapes 17 et 18, et recommencer si nécessaire.

17. Ajuster les pieds de nivellement

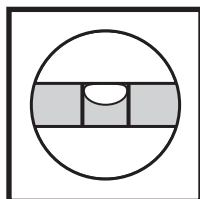


Si la laveuse n'est pas d'aplomb, utiliser une clé plate ou une clé à molette de 1/2" ou 13 mm pour tourner les contre-écrous dans le sens horaire jusqu'à ce qu'ils se trouvent à environ 1/2" (13 mm) de la caisse de la laveuse. Tourner ensuite le pied de nivellement dans le sens horaire pour abaisser la laveuse ou antihoraire pour la soulever. Contrôler à nouveau l'aplomb de la laveuse et vérifier que les quatre pieds sont bien au contact du plancher. Répéter au besoin.

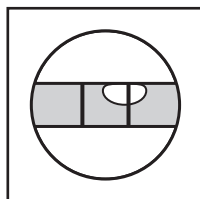
CONSEIL UTILE : Il serait judicieux de soulever l'avant de la laveuse d'environ 4" (102 mm) à l'aide d'une cale en bois ou d'un objet similaire qui soutiendra le poids de la laveuse.



Pas d'aplomb

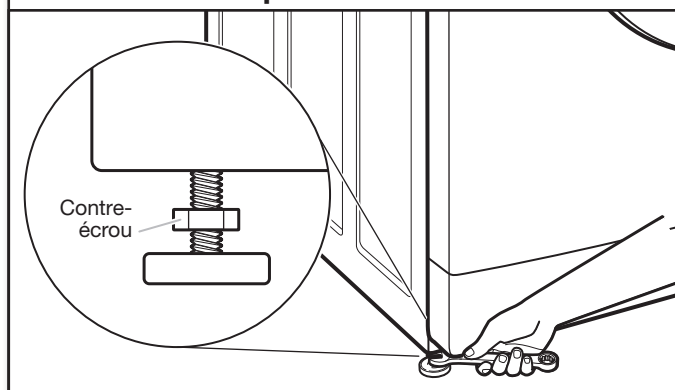


APLOMB



Pas d'aplomb

18. Serrer les pieds de nivellement



Une fois que la laveuse est d'aplomb et que les quatre pieds sont bien au contact du plancher, de la laveuse établie, utiliser une clé plate ou une clé à molette de 15/32" ou 12 mm pour tourner les contre-écrous sur les pieds de nivellement dans le sens anti-horaire et les serrer fermement contre la caisse de la laveuse.

CONSEIL UTILE : Il serait judicieux d'étayer la laveuse à l'aide d'une cale en bois.

⚠ AVERTISSEMENT



Risque de choc électrique

Brancher sur une prise à 3 alvéoles reliée à la terre.

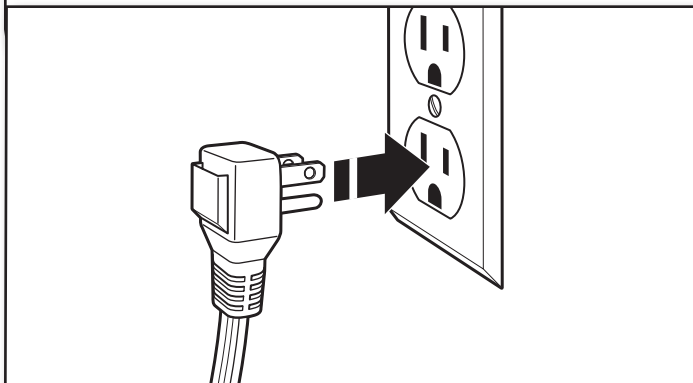
Ne pas enlever la broche de liaison à la terre.

Ne pas utiliser un adaptateur.

Ne pas utiliser un câble de rallonge.

Le non-respect de ces instructions peut causer un décès, un incendie ou un choc électrique.

19. Brancher sur une prise à 3 alvéoles reliée à la terre



LISTE DE VÉRIFICATION POUR L'ACHÈVEMENT DE L'INSTALLATION

- Consulter les spécifications électriques. S'assurer de disposer d'une source d'électricité appropriée et d'une liaison à la terre conforme à la méthode recommandée.
- Vérifier que toutes les pièces sont maintenant installées. S'il reste une pièce, passer en revue les différentes étapes pour découvrir laquelle aurait été oubliée.
- Vérifier la présence de tous les outils.
- Vérifier que tout le matériel d'expédition a été retiré de l'arrière de la laveuse.
- Vérifier que les tuyaux d'arrivée d'eau chaude et d'eau froide sont bien fixés et que les robinets d'eau sont ouverts.
- Vérifier qu'il n'y a pas de fuite autour des robinets et des tuyaux d'arrivée d'eau.
- Ôter la pellicule protectrice de la console et tout ruban adhésif resté sur la laveuse.
- Vérifier que la laveuse est branchée sur une prise de courant à 3 alvéoles reliée à la terre.
- Éliminer/recycler tous les matériaux d'emballage.
- Lire "Utilisation de la laveuse".
- Pour tester la laveuse et la nettoyer, mettre en marche la laveuse, sélectionner le programme Normal et la faire fonctionner sans vêtements. Utiliser uniquement un détergent HE. Utiliser la moitié de la quantité recommandée par le fabricant pour une charge de taille moyenne.

DÉPANNAGE

Essayer d'abord les solutions suggérées ici ou consulter le site Web www.maytag.com/help pour obtenir de l'aide et pour éviter une intervention de réparation.

Si les phénomènes suivants se produisent	Causes possibles	Solution
Un code d'erreur apparaît sur l'affichage		
Une fois que tout problème éventuel a été résolu, appuyer sur CANCEL/DRAIN (annulation/vidange) pour effacer le code. Puis choisir et commencer du nouveau le programme.		
<i>AD9</i> (problème d'arrivée d'eau) apparaît sur l'affichage et le système fera une pause	Pas d'eau ou alimentation en eau insuffisante. Débrancher la laveuse ou déconnecter la source de courant électrique.	<p>Les deux tuyaux doivent être fixés et l'eau doit pénétrer dans la valve d'arrivée.</p> <p>Les robinets d'eau chaude et d'eau froide doivent être ouverts tous les deux.</p> <p>Les tamis des valves d'arrivée d'eau de la laveuse sont peut-être obstrués.</p> <p>Éliminer toute déformation du tuyau d'arrivée.</p> <p>Examiner les tuyaux pour s'assurer qu'ils n'ont pas gelé.</p> <p>Brancher la laveuse ou reconnecter la source de courant électrique. Appuyer sans relâcher sur START pour poursuivre le programme, ou sur CANCEL/DRAIN (annulation/vidange) pour annuler le programme. Si le problème persiste, faire un appel de service.</p>
<i>AD</i> (erreur du système de pompe de vidange) apparaît sur l'affichage	Débrancher la laveuse ou déconnecter la source de courant électrique.	<p>Vérifier que le tuyau de vidange est correctement installé.</p> <p>Vérifier que le tuyau d'évacuation n'est pas déformé, écrasé ou obstrué.</p> <p>Retirer toute obstruction du tuyau de vidange.</p> <p>Utiliser la bride de retenue pour tuyau de vidange et la fixer solidement au tuyau de rejet à l'égout ou à la cuve.</p> <p>Abaisser le tuyau de vidange si l'extrémité se trouve à plus de 55" (1,4 m) au-dessus du plancher.</p>
<i>F01 - F30</i> apparaît sur l'affichage	Détergent HE non utilisé ou utilisation excessive de détergent HE.	Utiliser uniquement un détergent HE. Toujours mesurer le détergent et suivre les instructions du fabricant en fonction de la taille et du niveau de saleté de la charge.
<i>F01 - F30</i> apparaît sur l'affichage	Problème électrique.	<p>Tourner le bouton à OFF (arrêt) ou appuyer sans relâcher sur START (mise en marche) pour annuler le programme.</p> <p>Sélectionner DRAIN/SPIN (vidanger/essorer) en cas d'excès d'eau dans la laveuse.</p> <p>Sélectionner à nouveau un programme et appuyer sur START (mise en marche). Si le problème persiste, faire un appel de service.</p>
Vibrations ou déséquilibre		
Vibrations, balancement ou effet de "marche" de la laveuse	Les pieds ne sont peut-être pas en contact avec le plancher ou verrouillés.	Les pieds avant et arrière doivent être en contact ferme avec le plancher et la laveuse doit être d'aplomb pour fonctionner correctement. Les contre-écrous doivent être bien serrés contre le bas de la caisse.
	La laveuse n'est peut-être pas d'aplomb.	<p>Vérifier que le plancher n'est pas incurvé ou qu'il ne s'affaisse pas. Si le plancher est irrégulier, un morceau de contreplaqué de 3/4" (19 mm) placé sous la laveuse permettra de réduire le bruit.</p> <p>Voir "Réglage de l'aplomb de la laveuse".</p>
	La charge est peut-être déséquilibrée ou de trop grande taille.	<p>Éviter de tasser la charge. Éviter de laver un article seul. Compenser le poids d'un article seul tel qu'un tapis ou une paire de jeans par quelques articles supplémentaires pour équilibrer le tout.</p> <p>L'article ou la charge ne convient pas au programme sélectionné. Voir "Guide de programme" et "Utilisation de la laveuse".</p>
	Les boulons d'expédition se trouvent toujours à l'arrière de la laveuse.	Voir "Étape 3. Retirer les boulons de transport de la laveuse" dans les "Instructions d'installation".

DÉPANNAGE

Essayer d'abord les solutions suggérées ici ou consulter le site Web www.maytag.com/help pour obtenir de l'aide et pour éviter une intervention de réparation.

Si les phénomènes suivants se produisent	Causes possibles	Solution
Bruits		
Cliquetis ou bruits métalliques	Porte qui se verrouille ou se déverrouille.	La porte se verrouillera, se déverrouillera puis se verrouillera à nouveau. Trois déclics se font entendre une fois que l'on appuie sur START (mise en marche). Ceci est normal.
	Des objets sont coincés dans le système de vidange de la laveuse.	Vider les poches avant le lavage. Les articles mobiles tels des pièces de monnaie sont susceptibles de tomber entre le panier et la cuve; ils peuvent aussi obstruer la pompe. Un appel pour intervention de dépannage s'avérera peut-être nécessaire pour retirer ces objets.
		Il est normal d'entendre des articles métalliques faisant partie des vêtements comme les boutons-pression métalliques, boucles ou fermetures à glissière toucher le panier en acier inoxydable.
Gargouillement ou bourdonnement	La laveuse est peut-être en train d'évacuer de l'eau.	Il est normal d'entendre la pompe produire un bourdonnement continu accompagné de gargouillements ou de bruits de pompage périodiques lorsque l'eau de fin de programme est éliminée au cours des programmes d'essorage/de vidange.
Fuites d'eau		
Vérifier ce qui suit pour que l'installation soit correcte :	Les tuyaux de remplissage ne sont pas solidement fixés.	Serrer le raccord du tuyau de remplissage.
	Rondelles d'étanchéité des tuyaux de remplissage.	Installer correctement les quatre rondelles d'étanchéité plates des tuyaux remplissage d'eau.
	Raccord du tuyau de vidange.	Vérifier que le tuyau d'évacuation est bien fixé au tuyau de rejet à l'égout ou à l'évier de buanderie.
	Inspecter le circuit de plomberie du domicile pour vérifier qu'il n'y a pas de fuites ou que l'évier ou le tuyau de vidange n'est pas obstrué.	De l'eau pourrait refouler de l'évier ou du tuyau de rejet à l'égout obstrué. Inspecter tout le circuit de plomberie du domicile (éviders de buanderie, tuyau de vidange, conduites d'eau et robinets) pour vérifier qu'il n'y a aucune fuite.
Eau ou mousse suintant par la porte ou par l'arrière de la caisse.	Détergent HE non utilisé ou utilisation excessive de détergent HE.	Utiliser uniquement un détergent HE. La mousse produite par des détergents ordinaires peut causer des fuites au niveau de la porte ou de l'arrière de la caisse. Toujours mesurer la quantité de détergent et suivre les instructions du détergent en fonction des modalités de nettoyage de la charge.
	Résidus sur le hublot de la porte.	Nettoyer régulièrement le dessous du hublot en verre pour éviter toute fuite éventuelle.

DÉPANNAGE

⚠ AVERTISSEMENT



Risque de choc électrique

Brancher sur une prise à 3 alvéoles reliée à la terre.

Ne pas enlever la broche de liaison à la terre.

Ne pas utiliser un adaptateur.

Ne pas utiliser un câble de rallonge.

Le non-respect de ces instructions peut causer un décès, un incendie ou un choc électrique.

Essayer d'abord les solutions suggérées ici ou consulter le site Web www.maytag.com/help pour obtenir de l'aide et pour éviter une intervention de réparation.

Si les phénomènes suivants se produisent	Causes possibles	Solution	
La laveuse ne fonctionne pas comme prévu			
La charge n'est pas complètement submergée dans l'eau	Niveau d'eau non visible par la porte ou eau ne recouvrant pas les vêtements.	Ceci est normal pour une laveuse HE à chargement frontal. La laveuse détecte la taille de la charge et ajoute la quantité d'eau adéquate pour un nettoyage optimal.	
La laveuse ne fonctionne pas ou ne se remplit pas; elle cesse de fonctionner	Vérifier que l'alimentation en eau est correcte.	Les deux tuyaux doivent être fixés et l'eau doit pénétrer dans la valve d'arrivée.	
		Les deux robinets d'eau chaude et d'eau froide doivent être ouverts.	
		Vérifier que les tamis des valves d'arrivée ne sont pas obstrués.	
	Vérifier que l'alimentation électrique à la laveuse est correcte.	Vérifier que les tuyaux d'arrivée d'eau ne sont pas déformés; ceci peut réduire le débit.	Brancher le cordon d'alimentation dans une prise à 3 alvéoles reliée à la terre.
			Ne pas utiliser de câble de rallonge.
			Vérifier que la prise est alimentée.
			Inspecter la source de courant électrique ou appeler un électricien pour vérifier si la tension est basse.
Fonctionnement normal de la laveuse.		Remettre un disjoncteur qui serait ouvert en marche. Remplacer tout fusible grillé. REMARQUE : Si le problème persiste, appeler un électricien.	
		La porte doit être complètement fermée et verrouillée pour que la laveuse puisse fonctionner.	
		La laveuse fait des pauses durant certaines phases du programme. Ne pas interrompre le programme. On peut arrêter la laveuse pour réduire la production de mousse.	

DÉPANNAGE

Essayer d'abord les solutions suggérées ici ou consulter le site Web www.maytag.com/help pour obtenir de l'aide et pour éviter une intervention de réparation.

Si les phénomènes suivants se produisent	Causes possibles	Solution
La laveuse ne fonctionne pas comme prévu (suite)		
La laveuse ne fonctionne pas ou ne se remplit pas; elle cesse de fonctionner (suite)	Fonctionnement normal de la laveuse (suite).	La laveuse fait une pause d'environ 2 minutes au cours de certains programmes. Laisser le programme se poursuivre. Certains programmes comprennent des périodes de culbutage et de trempage.
	La laveuse n'a pas été chargée tel que recommandé.	Retirer plusieurs articles et ré-agencer la charge dans le tambour. Fermer la porte et appuyer sur START (mise en marche).
		Ne pas ajouter plus de 1 ou 2 articles supplémentaires après que le programme ait commencé afin d'éviter une surcharge ou un déséquilibre.
		Ne pas ajouter d'eau dans la laveuse.
	La porte de la laveuse n'est pas bien fermée.	La porte doit être fermée lorsque la laveuse est en marche.
	Détergent HE non utilisé ou utilisation excessive de détergent HE.	Utiliser uniquement un détergent HE. La mousse produite par des détergents ordinaires peut ralentir ou arrêter la laveuse. Toujours mesurer la quantité de détergent et suivre les instructions du fabricant en fonction des modalités de nettoyage de la charge.
Pour éliminer la mousse, annuler le programme. Sélectionner RINSE/SPIN (rinçage/essorage) et DRAIN/SPIN (vidange/essorage). Appuyer sur START (mise en marche). Ne pas ajouter de détergent.		
La porte n'a pas été ouverte entre deux programmes.	Lorsqu'un programme de lavage est terminé, la porte doit être ouverte puis refermée avant qu'un nouveau programme puisse commencer.	
La laveuse ne se vidange/n'essore pas; les charges restent mouillées	Vider les poches et utiliser des sacs à linge pour les petits articles.	Des petits articles sont peut-être coincés dans la pompe.
	Le tuyau de vidange se prolonge dans le tuyau rigide de rejet à l'égout au-delà de 4,5" (114 mm).	Vérifier que le tuyau de vidange est correctement installé. Utiliser la bride de retenue pour tuyau de vidange et la fixer solidement au tuyau rigide de rejet à l'égout ou à la cuve. Ne pas placer de ruban adhésif sur l'ouverture du système de vidange.
	Le tuyau de vidange est obstrué, ou l'extrémité du tuyau de vidange se trouve à plus de 55" (1,4 m) au-dessus du plancher.	Abaisser le tuyau de vidange si l'extrémité se trouve à plus de 55" (1,4 m) au-dessus du plancher. Retirer toute obstruction du tuyau de vidange. Voir "Exigences d'installation" dans les "Instructions d'installation".
	Le tuyau de vidange est trop serré dans le tuyau rigide de rejet à l'égout, ou est fixé au tuyau rigide de rejet à l'égout avec du ruban adhésif.	Le tuyau de vidange doit être lâche mais bien fixé. Ne pas sceller le tuyau de vidange avec du ruban adhésif. Le tuyau a besoin d'une ouverture pour l'air. Voir "Acheminer le tuyau de vidange" dans les "Instructions d'installation".
	Utiliser des programmes comportant une vitesse d'essorage inférieure.	Les programmes avec vitesses d'essorage réduites éliminent moins d'eau que les programmes qui comportent des vitesses d'essorage supérieures. Utiliser la vitesse d'essorage/ le programme recommandé approprié pour le vêtement.
	La laveuse n'a pas été chargée tel que recommandé.	Des vêtements tassés ou une charge déséquilibrée empêchent la laveuse d'essorer correctement, ce qui laisse la charge plus mouillée qu'elle ne devrait l'être. Voir "Guide de programmes" pour consulter le volume de charge recommandé pour chaque programme.
	La charge est peut-être déséquilibrée.	Éviter de laver un article seul. Compenser le poids d'un article seul tel qu'un tapis ou une veste en jeans par quelques articles supplémentaires pour équilibrer le tout.

DÉPANNAGE

Essayer d'abord les solutions suggérées ici ou consulter le site Web www.maytag.com/help pour obtenir de l'aide et pour éviter une intervention de réparation.

Si les phénomènes suivants se produisent	Causes possibles	Solution
La laveuse ne fonctionne pas comme prévu (suite)		
La laveuse ne se vidange/n'essore pas; les charges restent mouillées (suite)	Détergent HE non utilisé ou utilisation excessive de détergent HE.	Utiliser uniquement un détergent HE. Un excès de mousse causé par l'utilisation d'un détergent ordinaire ou d'un surplus de détergent peut ralentir ou arrêter la vidange ou l'essorage. Toujours mesurer le détergent et suivre les instructions du fabricant en fonction de la charge. Pour éliminer tout excès de mousse, sélectionner RINSE/SPIN (rinçage/essorage) et DRAIN/SPIN (vidange/essorage). Ne pas ajouter de détergent.
	Des vêtements sont coincés entre le panier d'essorage et la cuve extérieure dans le tambour.	Faire tourner le tambour à la main pour vérifier que rien ne retient le panier d'essorage et la cuve extérieure. Déplacer la partie ouverte du tambour vers le haut et vers le bas tout en maintenant la cuve extérieure en place et déterminer s'il y a du jeu (plus de 1/4" (6,35 mm) de déplacement).
Porte verrouillée à la fin du programme de lavage	Il reste de l'eau dans la laveuse après le programme.	Sélectionner RINSE/SPIN (rinçage/vidange) et DRAIN/SPIN (vidange/essorage) pour évacuer toute eau restée dans la laveuse. La porte de la laveuse se déverrouillera à la fin de la vidange.
La porte ne se déverrouille pas.	L'eau ne s'est pas complètement écoulee de la laveuse durant l'essorage.	Sélectionner DRAIN/SPIN (vidange/essorage) pour retirer l'eau restée dans la laveuse. La porte de la laveuse se déverrouille à la fin de la vidange. La porte devrait mettre 1 minute à se déverrouiller.
	Code d'erreur affiché.	Le mode défaillance entraîne le verrouillage de la porte. Tourner le bouton à OFF (arrêt) ou appuyer sans relâcher sur START (mise en marche) pour quitter, puis attendre que la porte se déverrouille.
	La température de l'eau est supérieure à 104°F (40°C).	Attendre que la température de l'eau baisse.
Températures de lavage ou de rinçage incorrectes	Vérifier que l'alimentation en eau est correcte.	Assurez-vous que les tuyaux d'arrivée d'eau chaude et froide n'ont pas été inversés.
		Les deux tuyaux doivent être raccordés à la fois à la laveuse et au robinet, et la valve d'arrivée doit recevoir à la fois de l'eau chaude et de l'eau froide.
		Vérifier que les tamis des valves d'arrivée ne sont pas obstrués.
	Éliminer toute déformation des tuyaux.	
Lavage de plusieurs charges.	Votre réservoir d'eau chaude n'a peut-être pas suffisamment d'eau chaude à fournir pour le nombre de lavages à l'eau chaude ou tiède requis. Ceci est normal.	
L'option ou le réglage souhaité ne s'allume pas	Pour une performance optimale, tous les réglages ne sont pas disponibles sur tous les programmes et certaines options ne peuvent pas être combinées.	Consulter le "Guide de programmes" pour connaître les réglages et options possibles pour chaque programme.
Charge non rincée	Vérifier que l'alimentation en eau est correcte.	Assurez-vous que les tuyaux d'arrivée d'eau chaude et froide n'ont pas été inversés.
		Les deux tuyaux doivent être fixés et l'eau doit pénétrer dans la valve d'arrivée.
		Les robinets d'eau chaude et d'eau froide doivent être ouverts tous les deux.
		Les tamis des valves d'arrivée d'eau de la laveuse sont peut-être obstrués.
		Éliminer toute déformation du tuyau d'arrivée.

DÉPANNAGE

Essayer d'abord les solutions suggérées ici ou consulter le site Web www.maytag.com/help pour obtenir de l'aide et pour éviter une intervention de réparation.

Si les phénomènes suivants se produisent	Causes possibles	Solution	
La laveuse ne fonctionne pas comme prévu (suite)			
Charge non rincée (suite)	Détergent HE non utilisé ou utilisation excessive de détergent HE.	La mousse produite par un détergent non HE peut empêcher la laveuse de fonctionner correctement. Utiliser uniquement un détergent HE. Toujours mesurer la quantité de détergent et suivre les instructions du fabricant en fonction de la taille et du niveau de saleté de la charge.	
	La laveuse n'a pas été chargée tel que recommandé.	Éviter de tasser le linge dans la laveuse. La laveuse ne rincera pas bien si les vêtements sont tassés. Charger la laveuse uniquement avec des articles secs. Voir "Guide de programmes" pour consulter le volume de charge recommandé pour chaque programme. Utiliser le programme conçu pour les tissus à laver. Si l'on souhaite ajouter des vêtements une fois que la laveuse a démarré, n'en rajouter qu'un ou deux.	
	La charge est froissée, entortillée ou enchevêtrée	La laveuse n'a pas été chargée tel que recommandé.	Ajouter les vêtements sans les tasser. Les articles doivent pouvoir se déplacer librement pour réduire le froissement et l'emmêlement. Voir "Guide de programmes" pour consulter le volume de charge recommandé pour chaque programme.
		Action de lavage et/ou vitesse d'essorage trop rapide pour la charge.	Réduire l'emmêlement en mêlant plusieurs types d'articles dans la charge. Utiliser le programme recommandé correspondant aux types de vêtements à laver.
Les vêtements n'ont pas été retirés rapidement.		Sélectionner une vitesse d'essorage plus basse. Notons que les articles seront plus mouillés que si l'on utilise une vitesse d'essorage supérieure.	
Le programme choisi ne correspond pas au programme qui doit être utilisé pour la charge de lavage.		Décharger la laveuse dès qu'elle s'arrête.	
L'eau de lavage n'est pas suffisamment chaude pour réduire le froissement.		Utiliser le programme Delicates (articles délicats) ou un autre programme avec basse vitesse d'essorage pour réduire le froissement. Si c'est sans danger pour la charge, utiliser une eau de lavage tiède ou chaude.	
Ne nettoie pas, ne détache pas	La laveuse n'a pas été chargée tel que recommandé.	Ajouter les vêtements sans les tasser. Les articles doivent pouvoir se déplacer librement pour le meilleur nettoyage. Voir "Guide de programmes" pour consulter le volume de charge recommandé pour chaque programme. Si l'on souhaite ajouter des vêtements une fois que la laveuse a démarré, n'en rajouter qu'un ou deux.	
	Détergent HE non utilisé ou utilisation excessive de détergent HE.	Utiliser uniquement un détergent HE. Toujours mesurer la quantité de détergent et suivre les instructions du fabricant en fonction de la taille et du niveau de saleté de la charge.	
	Eau dure ou niveau élevé de fer (rouille) dans l'eau.	Il faut peut-être installer un adoucisseur d'eau et/ou un filtre à fer.	
	Une boule distributrice d'assouplissant pour tissu a été utilisée.	Les boules distributrices ne fonctionnent pas correctement avec cette laveuse. Verser un assouplissant pour tissu liquide dans le compartiment d'assouplissant pour tissu.	
	Du détergent en poudre a été utilisé pour le programme à basse vitesse.	Essayer d'utiliser du détergent en liquide.	

DÉPANNAGE

Essayer d'abord les solutions suggérées ici ou consulter le site Web www.maytag.com/help pour obtenir de l'aide et pour éviter une intervention de réparation.

Si les phénomènes suivants se produisent	Causes possibles	Solution
La laveuse ne fonctionne pas comme prévu (suite)		
Ne nettoie pas, ne détache pas (suite)	Programme utilisé incorrect par rapport au type de tissu.	Utiliser une option de programme de niveau de saleté plus élevée et une température de lavage plus chaude pour améliorer le nettoyage.
		Si l'on utilise un programme Delicates (articles délicats), ne laver que quelques articles.
		Utiliser le programme Heavy Duty (service intense) pour un nettoyage puissant.
		Ajouter un deuxième rinçage pour les charges très sales.
	Les distributeurs ne sont pas utilisés.	Utiliser les distributeurs pour éviter que l'agent de blanchiment au chlore ou l'assouplissant pour tissu ne tachent les vêtements.
		Remplir les distributeurs avant de démarrer un programme.
		Éviter de les remplir excessivement.
		Ne pas verser de produits directement sur la charge.
Les couleurs similaires ne sont pas lavées ensemble.	Laver ensemble les couleurs semblables et les retirer rapidement une fois le programme terminé pour éviter tout transfert de teinture.	
Quantité de détergent utilisée insuffisante ou eau dure.	Utiliser plus de détergent pour laver la saleté intense à l'eau froide ou dure.	
Odeurs	L'entretien mensuel n'est pas effectué tel que recommandé.	Faire fonctionner le programme Clean Washer With affresh® (nettoyage de la laveuse avec affresh®) une fois par mois. Voir "Entretien de la laveuse" dans la section "Entretien de la laveuse".
		Décharger la laveuse dès que le programme est terminé.
	Détergent HE non utilisé ou utilisation excessive de détergent HE.	Utiliser uniquement un détergent HE. Veiller à mesurer correctement. Toujours suivre les directives du fabricant.
	Voir la section "Entretien de la laveuse".	
La porte n'est pas restée ouverte après utilisation.	Cette laveuse dispose d'une fermeture étanche pour éviter les fuites d'eau. Pour éviter la formation d'odeurs, laisser la porte ouverte afin de permettre à la laveuse de sécher entre deux utilisations.	
Dommages aux tissus	Des objets pointus se trouvaient dans les poches au moment du programme de lavage.	Vider les poches, fermer les fermetures à glissière, les boutons-pression ou les agrafes avant le lavage pour éviter d'accrocher et de déchirer le linge.
	Les cordons et les ceintures se sont peut-être emmêlés.	Attacher tous les cordons et les ceintures avant de démarrer le lavage de la charge.
	Les articles étaient peut-être endommagés avant le lavage.	Raccorder les déchirures et reprendre les fils cassés des coutures avant le lavage.
	Les tissus peuvent subir des dommages si l'on tasse le linge dans la laveuse.	Éviter de tasser le linge dans la laveuse. Charger la laveuse uniquement avec des articles secs.
		Utiliser le programme conçu pour les tissus à laver.
	Vous n'avez peut-être pas ajouté l'agent de blanchiment liquide au chlore correctement.	Si l'on souhaite ajouter des vêtements une fois que la laveuse a démarré, n'en rajouter qu'un ou deux.
	Ne pas verser d'agent de blanchiment liquide au chlore directement sur la charge. Essuyer tous les renversements d'agent de blanchiment.	
	Un agent de blanchiment non dilué endommagera les tissus. Ne pas utiliser plus que la quantité recommandée par le fabricant.	

DÉPANNAGE

Essayer d'abord les solutions suggérées ici ou consulter le site Web www.maytag.com/help pour obtenir de l'aide et pour éviter une intervention de réparation.

Si les phénomènes suivants se produisent	Causes possibles	Solution
La laveuse ne fonctionne pas comme prévu (suite)		
Blancs grisâtres, couleurs défraîchies	La charge n'a pas été correctement triée.	Un transfert de teinture peut se produire lors du mélange d'articles blancs et de couleur dans une même charge. Séparer les articles de teinte foncée des articles blancs ou clairs.
	Les températures de lavage sont trop basses.	Utiliser les lavages à l'eau tiède ou chaude si celle-ci est sans danger pour la charge. S'assurer que le système d'eau chaude est adéquat pour fournir un lavage à l'eau chaude.
	Quantité de détergent utilisée insuffisante ou eau dure.	Utiliser plus de détergent pour laver la saleté intense à l'eau froide ou dure.
Fonctionnement incorrect du distributeur	Distributeurs obstrués ou produits de lessive distribués trop tôt.	Ne pas remplir excessivement le distributeur. Un remplissage excessif peut entraîner une distribution immédiate. Remplir les distributeurs avant de démarrer un programme. Pour les domiciles présentant une basse pression d'eau, il est possible qu'il reste de la poudre dans le distributeur. Pour éviter cela, sélectionner une température de lavage plus chaude (si possible – en fonction de la charge).
	L'agent de blanchiment liquide au chlore n'a pas été versé dans le compartiment d'agent de blanchiment.	Utiliser seulement de l'agent de blanchiment liquide au chlore dans le compartiment d'agent de blanchiment.
	Il reste de l'eau dans le distributeur une fois le programme terminé.	Il est normal qu'il reste de petites quantités d'eau dans le distributeur une fois le programme terminé.
	La durée du programme varie ou la durée du programme est trop longue	Fonctionnement normal de la laveuse.
Il y a trop de mousse dans la laveuse.		Lorsqu'un excès de mousse est détecté, une procédure spéciale contre la mousse se met en marche automatiquement pour éliminer l'excès de mousse et assurer un rinçage efficace pour les vêtements. Cette procédure prolonge la durée initiale du programme.
La charge est peut-être déséquilibrée.		En cas de déséquilibre de la charge, un processus de lavage sera lancé pour redistribuer la charge. Ceci prolonge la durée du programme. Éviter de laver un article seul. Compenser le poids d'un article seul tel qu'un tapis ou une veste en jeans par quelques articles supplémentaires pour équilibrer le tout.
Programme utilisé incorrect par rapport au type de tissu.		Le programme Delicates (articles délicats) est conçu pour les charges plus petites (3 à 4 articles) de vêtements légèrement sales. Si des charges plus importantes sont lavées avec ce programme, la durée de lavage augmente. Si l'on utilise les programmes Delicates (articles délicats), il faut laver uniquement des petites charges. Ceci garantit un lavage en douceur des vêtements sans augmenter les durées de programme.

ACCESSOIRES

Vous pouvez faciliter l'utilisation de votre laveuse avec ces accessoires de première qualité.

Pour vous informer au sujet des autres articles de qualité ou pour commander, composez le **1-800-901-2042**, ou consultez le site www.whirlpool.com/accessories. Au Canada, composez le **1-800-807-6777** ou consultez le site Internet www.whirlpoolparts.ca.

Numéro de pièce	Accessoire
8212638RP	Tuyau de remplissage compact de 6 pi (1,8 m) en nylon tressé, coude à 90°, raccords hydro-blue en acier. Plus sécuritaire que l'acier inoxydable. (lot de 2)
8212487RP	Tuyau de remplissage de 5 pi (1,5 m) en nylon tressé. Plus sécuritaire que l'acier inoxydable. (lot de 2)
8212526	Plateau d'égouttement de la laveuse, convient à tous les modèles
31682	Produit de nettoyage polyvalent pour appareils ménagers
1903WH	Casier de rangement de fournitures de buanderie
W10135699	Nettoyant pour laveuse affresh®
W10178021	Ensemble de superposition

NOTES

NOTES

GARANTIE DES APPAREILS DE BUANDERIE MAYTAG®

GARANTIE LIMITÉE

Pendant un an à compter de la date d'achat, lorsque ce gros appareil ménager est utilisé et entretenu conformément aux instructions jointes à ou fournies avec le produit, la marque Maytag de Whirlpool Corporation ou Whirlpool Canada LP (ci-après désignées "Maytag") paiera pour les pièces spécifiées par l'usine et la main-d'œuvre pour corriger les vices de matériaux ou de fabrication qui existaient déjà lorsque ce gros appareil ménager a été acheté. Le service doit être fourni par une compagnie de service désignée par Maytag. LE SEUL ET EXCLUSIF RECOURS DU CLIENT DANS LE CADRE DE LA PRÉSENTE GARANTIE LIMITÉE CONSISTE EN LA RÉPARATION PRÉVUE CI-DESSUS. Cette garantie limitée est valide uniquement aux États-Unis ou au Canada et s'applique exclusivement lorsque le gros appareil ménager est utilisé dans le pays où il a été acheté. Une preuve de la date d'achat d'origine est exigée pour obtenir un service dans le cadre de la présente garantie limitée.

ÉLÉMENTS EXCLUS DE LA GARANTIE

La présente garantie limitée ne couvre pas :

1. Les pièces de rechange ou la main d'œuvre lorsque ce gros appareil ménager est utilisé à des fins autres que l'usage unifamilial normal ou lorsque les instructions d'installation et/ou les instructions de l'opérateur ou de l'utilisateur fournies ne sont pas respectées.
2. Les visites de service pour rectifier l'installation du gros appareil ménager, montrer à l'utilisateur comment utiliser l'appareil, remplacer ou réparer des fusibles ou rectifier le câblage ou la plomberie du domicile.
3. Les visites de service pour réparer ou remplacer les ampoules électriques, les filtres à air ou les filtres à eau de l'appareil. Les pièces consommables ne sont pas couvertes par la garantie.
4. Les dommages imputables à : accident, modification, usage impropre ou abusif, incendie, inondation, actes de Dieu, installation fautive ou installation non conforme aux codes d'électricité ou de plomberie, ou l'utilisation de produits non approuvés par Maytag.
5. Les défauts apparents, notamment les éraflures, les bosses, fissures ou tout autre dommage au fini du gros appareil ménager, à moins que ces dommages soient dus à des vices de matériaux ou de fabrication et soient signalés à Maytag dans les 30 jours suivant la date d'achat.
6. L'enlèvement et la livraison. Ce gros appareil ménager est conçu pour être réparé à domicile.
7. Les réparations aux pièces ou systèmes résultant d'une modification non autorisée faite à l'appareil.
8. Les frais de déplacement et de transport pour le service d'un produit si votre gros appareil ménager est situé dans une région éloignée où un service d'entretien Maytag autorisé n'est pas disponible.
9. La dépose et la réinstallation de votre gros appareil ménager si celui-ci est installé dans un endroit inaccessible ou n'est pas installé conformément aux instructions d'installation fournies par Maytag.
10. Les pièces de rechange ou la main d'œuvre pour les gros appareils ménagers dont les numéros de série et de modèle originaux ont été enlevés, modifiés ou qui ne peuvent pas être facilement identifiés.

CLAUSE D'EXONÉRATION DE RESPONSABILITÉ AU TITRE DES GARANTIES IMPLICITES

LES GARANTIES IMPLICITES, Y COMPRIS LES GARANTIES APPLICABLES DE QUALITÉ MARCHANDE OU D'APTITUDE À UN USAGE PARTICULIER, SONT LIMITÉES À UN AN OU À LA PLUS COURTE PÉRIODE AUTORISÉE PAR LA LOI. Certains États et certaines provinces ne permettent pas de limitation sur la durée de garanties implicites de qualité marchande ou d'aptitude à un usage particulier, de sorte que la limitation ci-dessus peut ne pas être applicable dans votre cas. Cette garantie vous confère des droits juridiques spécifiques, et vous pouvez également jouir d'autres droits qui peuvent varier d'une juridiction à l'autre.

LIMITATION DES RECOURS, EXCLUSION DES DOMMAGES FORTUITS OU INDIRECTS

LE SEUL ET EXCLUSIF RECOURS DU CLIENT DANS LE CADRE DE LA PRÉSENTE GARANTIE LIMITÉE CONSISTE EN LA RÉPARATION PRÉVUE CI-DESSUS. MAYTAG N'ASSUME AUCUNE RESPONSABILITÉ POUR LES DOMMAGES FORTUITS OU INDIRECTS. Certains États et certaines provinces ne permettent pas l'exclusion ou la limitation des dommages fortuits ou indirects de sorte que ces limitations et exclusions peuvent ne pas être applicables dans votre cas. Cette garantie vous confère des droits juridiques spécifiques, et vous pouvez également jouir d'autres droits qui peuvent varier d'une juridiction à l'autre.

Si vous résidez à l'extérieur du Canada et des 50 États des États-Unis, contactez votre marchand Maytag autorisé pour déterminer si une autre garantie s'applique.

Si vous avez besoin d'un service de réparation, voir d'abord la section "Dépannage" du Guide d'utilisation et d'entretien. Si vous n'êtes pas en mesure de résoudre le problème après avoir consulté la section "Dépannage", vous pouvez trouver de l'aide supplémentaire en consultant la section "Assistance ou Service" ou en appelant Maytag. Aux É.-U., composer le **1-800-688-9900**. Au Canada, composer le **1-800-807-6777**.

6/08

Conservez ce manuel et votre reçu de vente ensemble pour référence ultérieure. Pour le service sous garantie, vous devez présenter un document prouvant la date d'achat ou d'installation.

Inscrivez les renseignements suivants au sujet de votre gros appareil ménager pour mieux vous aider à obtenir assistance ou service en cas de besoin. Vous devrez connaître le numéro de modèle et le numéro de série au complet. Vous trouverez ces renseignements sur la plaque signalétique située sur le produit.

Nom du marchand _____

Adresse _____

Numéro de téléphone _____

Numéro de modèle _____

Numéro de série _____

Date d'achat _____

ASSISTANCE OR SERVICE

Before calling for assistance or service, please check "Troubleshooting" or visit www.maytag.com/help. It may save you the cost of a service call. If you still need help, follow the instructions below.

When calling, please know the purchase date and the complete model and serial number of your appliance. This information will help us to better respond to your request.

If you need replacement parts or to order accessories

We recommend that you use only Factory Specified Parts. These parts will fit right and work right because they are made with the same precision used to build every new MAYTAG® appliance.

To locate factory specified replacement parts, assistance in your area, or accessories:

Maytag Services, LLC
1-800-688-9900 www.maytag.com

1-800-901-2042 (Accessories)
www.maytag.com/accessories

Whirlpool Canada LP
Customer Assistance
1-800-807-6777
www.maytag.ca

or call your nearest designated service center or refer to your Yellow Pages telephone directory.

Our consultants provide assistance with

In the U.S.A.

- Features and specifications on our full line of appliances.
- Installation information.
- Specialized customer assistance (Spanish speaking, hearing impaired, limited vision, etc.).

In the U.S.A. and Canada

- Use and maintenance procedures.
- Accessory and repair parts sales.
- Referrals to local dealers, repair parts distributors, and service companies. Maytag® designated service technicians are trained to fulfill the product warranty and provide after-warranty service, anywhere in the United States and Canada.

You can write with any questions or concerns at:

Maytag Services, LLC
ATTN: CAIR® Center
P.O. Box 2370
Cleveland, TN 37320-2370

Customer eXperience Centre
Whirlpool Canada LP
Unit 200 - 6750 Century Ave.
Mississauga, ON L5N 0B7

Please include a daytime phone number in your correspondence.

ASSISTANCE OU SERVICE

Avant de faire un appel pour assistance ou service, veuillez vérifier la section "Dépannage" ou visiter le site www.maytag.com/help. Cette vérification peut vous faire économiser le coût d'une visite de réparation. Si vous avez encore besoin d'aide, suivre les instructions ci-dessous.

Lors d'un appel, veuillez connaître la date d'achat et les numéros au complet de modèle et de série de votre appareil. Ces renseignements nous aideront à mieux répondre à votre demande.

Si vous avez besoin de pièces de rechange

Si vous avez besoin de commander des pièces de rechange, nous vous recommandons d'utiliser seulement des pièces spécifiées par l'usine. Ces pièces conviendront et fonctionneront bien parce qu'elles sont fabriquées selon les mêmes spécifications précises utilisées pour construire chaque nouvel appareil MAYTAG®.

Pour trouver des pièces de rechange spécifiées par l'usine dans votre région :

Whirlpool Canada LP - Assistance à la clientèle
1-800-807-6777 www.maytag.ca

ou contacter votre centre de réparation désigné le plus proche ou consulter l'annuaire téléphonique des Pages Jaunes.

Nos consultants fournissent l'assistance pour :

- Procédés d'utilisation et d'entretien.
- Vente d'accessoires et de pièces de rechange.
- Les références aux concessionnaires, compagnies de service de réparation et distributeurs de pièces de rechange locaux. Les techniciens de service désignés par Whirlpool Canada LP sont formés pour remplir la garantie des produits et fournir un service après la garantie, partout au Canada.

Vous pouvez écrire en soumettant toute question ou tout problème au :
Customer eXperience Centre
Whirlpool Canada LP
Unit 200 - 6750 Century Ave.
Mississauga, ON L5N 0B7

Dans votre correspondance, veuillez indiquer un numéro de téléphone où on peut vous joindre dans la journée.