



INSTALLATION INSTRUCTIONS COMMERCIAL FRONT-LOAD WASHER

INSTRUCTIONS D'INSTALLATION LAVEUSE COMMERCIALE À CHARGEMENT FRONTAL

Table of Contents/Table des matières 2

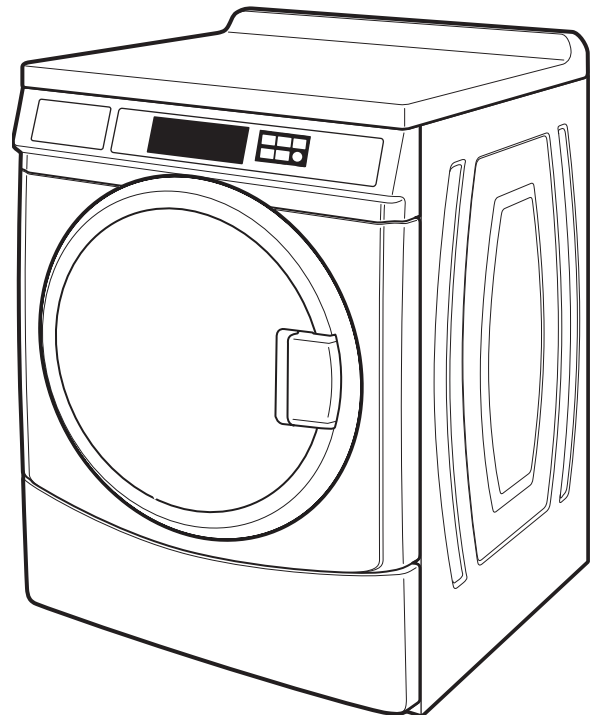
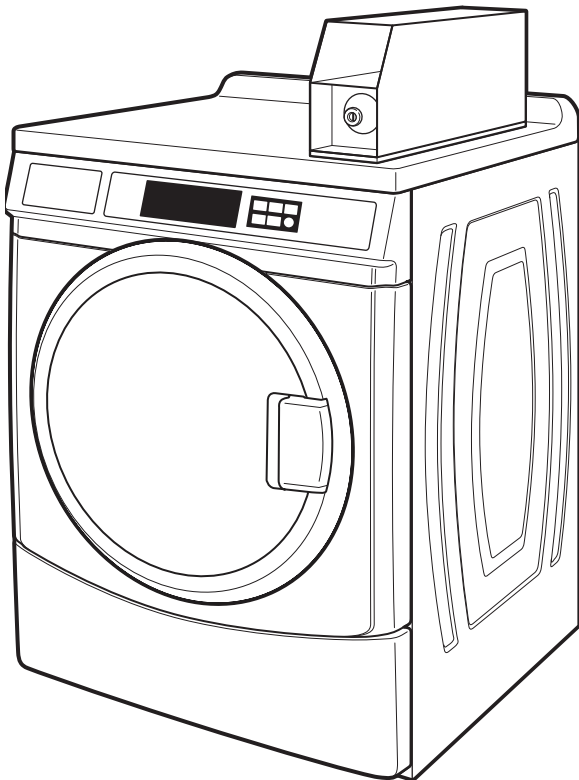


TABLE OF CONTENTS

WASHER SAFETY	3
INSTALLATION REQUIREMENTS	4
Tools and Parts.....	4
Accessories	4
Options	4
Location Requirements	5
Drain System	5
Electrical Requirements.....	6
INSTALLATION INSTRUCTIONS	6
Remove Transport System.....	6
Connect the Inlet Hoses	7
Connect the Drain Hose	8
Secure the Drain Hose	8
Level the Washer	9
Complete Installation.....	9
USER & SET-UP INSTRUCTIONS	10
General User Information	10
Control Set-up Procedures	10
Start Operating Set-up	10
WASHER CARE	14
Cleaning Your Washer	14
Water Inlet Hoses	15
ASSISTANCE OR SERVICE	15
WARRANTY	16

TABLE DES MATIÈRES

SÉCURITÉ DE LA LAVEUSE	17
EXIGENCES D'INSTALLATION	18
Outillage et pièces.....	18
Accessoires	18
Options	19
Exigences d'emplacement	19
Système de vidange.....	20
Spécifications électriques	20
INSTRUCTIONS D'INSTALLATION	21
Dépose du système de transport.....	21
Raccordement des tuyaux d'alimentation.....	22
Raccordement du tuyau de vidange	23
Immobilisation du tuyau de vidange	23
Réglage de l'aplomb de la laveuse	24
Achever l'installation	24
INSTRUCTIONS D'UTILISATION ET D'INSTALLATION	25
Informations générales.....	25
Procédures de réglage des systèmes de commande.....	25
Paramétrage pour mise en marche	26
ENTRETIEN DE LA LAVEUSE	30
Nettoyage de la laveuse	30
Tuyaux d'arrivée d'eau	31
ASSISTANCE OU SERVICE	31
GARANTIE	32

WASHER SAFETY

Your safety and the safety of others are very important.

We have provided many important safety messages in this manual and on your appliance. Always read and obey all safety messages.



This is the safety alert symbol.

This symbol alerts you to potential hazards that can kill or hurt you and others.

All safety messages will follow the safety alert symbol and either the word “DANGER” or “WARNING.”

These words mean:

⚠ DANGER

You can be killed or seriously injured if you don't immediately follow instructions.

⚠ WARNING

You can be killed or seriously injured if you don't follow instructions.

All safety messages will tell you what the potential hazard is, tell you how to reduce the chance of injury, and tell you what can happen if the instructions are not followed.

IMPORTANT SAFETY INSTRUCTIONS

WARNING: To reduce the risk of fire, electric shock, or injury to persons when using the washer, follow basic precautions, including the following:

- Read all instructions before using the washer.
- Do not wash articles that have been previously cleaned in, washed in, soaked in, or spotted with gasoline, dry-cleaning solvents, other flammable, or explosive substances as they give off vapors that could ignite or explode.
- Do not add gasoline, dry-cleaning solvents, or other flammable, or explosive substances to the wash water. These substances give off vapors that could ignite or explode.
- Under certain conditions, hydrogen gas may be produced in a hot water system that has not been used for 2 weeks or more. **HYDROGEN GAS IS EXPLOSIVE.** If the hot water system has not been used for such a period, before using the washing machine, turn on all hot water faucets and let the water flow from each for several minutes. This will release any accumulated hydrogen gas. As the gas is flammable, do not smoke or use an open flame during this time.
- Do not allow children to play on or in the washer. Close supervision of children is necessary when the washer is used near children.
- Before the washer is removed from service or discarded, remove the door or lid.
- Do not reach into the washer if the drum, tub or agitator is moving.
- Do not install or store the washer where it will be exposed to the weather.
- Do not tamper with controls.
- Do not repair or replace any part of the washer or attempt any servicing unless specifically recommended in this manual or in published user-repair instructions that you understand and have the skills to carry out.
- See “Electrical Requirements” for grounding instructions.

SAVE THESE INSTRUCTIONS

State of California Proposition 65 Warnings:

WARNING: This product contains one or more chemicals known to the State of California to cause cancer.

WARNING: This product contains one or more chemicals known to the State of California to cause birth defects or other reproductive harm.

INSTALLATION REQUIREMENTS

Tools and Parts

Gather the required tools and parts before starting installation. The parts supplied are in the washer drum.

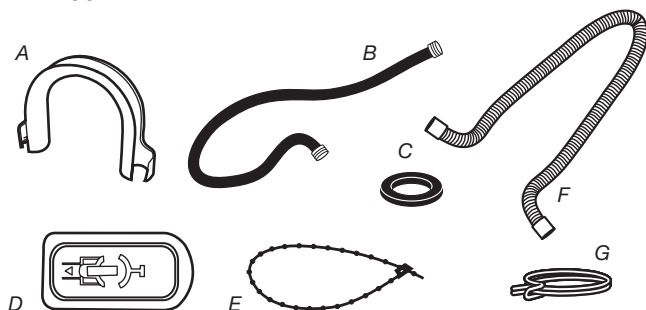
Tools needed for connecting the water inlet hoses

- Pliers (that open to 1 $\frac{1}{16}$ " [39.5 mm])
- Flashlight (optional)

Tools needed for installation

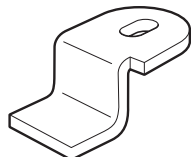
- Open end wrenches 1 $\frac{1}{2}$ " and 3 $\frac{1}{16}$ "
- Torx T-20[†] Security screwdriver
- 1 $\frac{1}{4}$ " Nut driver
- Level
- Wood block
- Ruler or measuring tape

Parts supplied



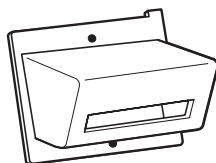
- A. U-shaped hose form
- B. Water inlet hoses (2)
- C. Inlet hose washers (4)
- D. Transit bolt hole plug (4)
- E. Beaded tie strap
- F. Drain Hose
- G. Hose clamp

Parts supplied for PD Models:



Service door lock cam

Parts supplied for PR Models:



Card reader bezel



Screws (2)

Alternate Parts

Your installation may require additional parts. If you are interested in purchasing one of the items listed here, call the toll-free number in the "Assistance or Service" section.

If you have	You will need to buy
Laundry tub or standpipe taller than 96" (2.4 m)	Sump pump system (if not already available)
Overhead sewer	Standard 20 gal. (76 L), 30" (762 mm) tall drain tub or utility sink and sump pump (available from local plumbing suppliers)
Floor drain	Siphon break, Part Number 285834; additional drain hose, Part Number 8318155; and connector kit, Part Number 285835
Drain hose too short	4 ft (1.2 m) drain hose extension kit, Part Number 285863
Water faucets beyond reach of fill hoses	2 longer water fill hoses: 6 ft (1.8 m) Part Number 76314 10 ft (3.0 m) Part Number 350008

Accessories

Enhance your washer with these premium accessories.

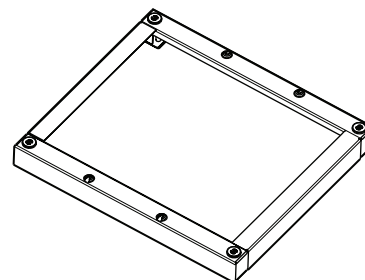
For more high-quality items or to order, call **1-800-901-2042**, or visit us at www.maytag.com/accessories. In Canada call: **1-800-807-6777** or visit us at www.whirlpoolparts.ca.

Part Number	Accessory
8212526	Washer drip trays, fits under all
31682	All purpose appliance cleaner
1903WH	Laundry supply storage cart

Options

Pedestal

You have the option of purchasing pedestals separately for this washer. The pedestal will add to the total height of the washer.



Optional pedestal

Pedestal Height	Approximate height with washer	Color	Part Number
2 $\frac{7}{8}$ " (73 mm)	47.5" (1207 mm)	White	WHP0400VW

NOTE: Some models have pedestal pre-installed.

Location Requirements

Selecting the proper location for your washer improves performance and minimizes noise and possible washer “walk.” Your washer can be installed under a custom counter, or in a basement, laundry room, or recessed area. See “Drain System.”

Companion appliance location requirements should also be considered. Proper installation is your responsibility.

You will need

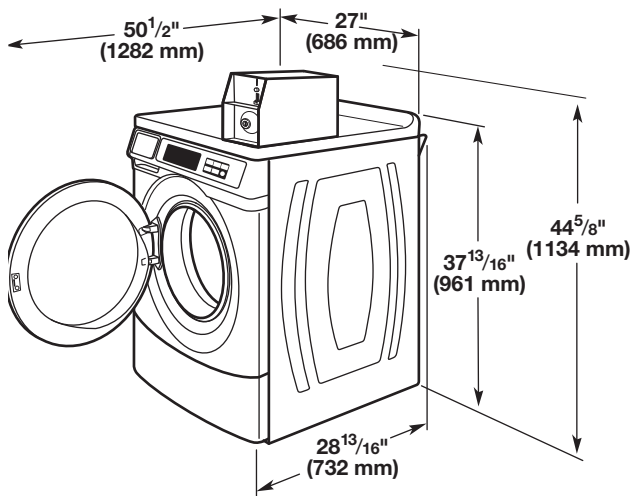
- A water heater set to deliver 120°F (49°C) water to the washer.
- A grounded electrical outlet located within 6 ft. (1.8 m) of where the power cord is attached to the back of the washer. See “Electrical Requirements.”
- Hot and cold water taps located within 4 ft. (1.2 m) of the hot and cold water fill valves, and water pressure of 20–100 psi (137.9–689.6 kPa).
- A level floor with a maximum slope of 1" (25 mm) under entire washer. Installing the washer on soft floor surfaces, such as carpets or surfaces with foam backing, is not recommended.
- A sturdy and solid floor to support the washer with a total weight (water and load) of 400 lbs (180 kg).

Do not operate your washer in temperatures below 32°F (0°C). Some water can remain in the washer and can cause damage in low temperatures.

Installation clearances

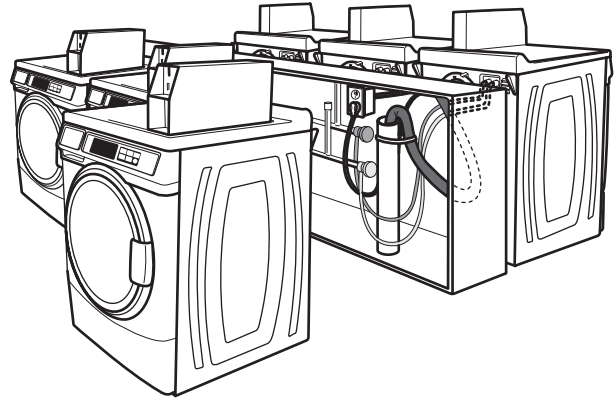
- The location must be large enough to allow the washer door to be fully opened.
- Additional spacing should be considered for ease of installation and servicing. The door opens more than 90°, and it is not reversible.
- Additional clearances might be required for wall, door, and floor moldings.
- Additional spacing of 1" (25 mm) on all sides of the washer is recommended to reduce noise transfer.
- Companion appliance spacing should also be considered.

Washer Dimensions



Door is not reversible

A floor drain should be provided under the bulkhead. Prefabricated bulkheads with electrical outlets, water inlet lines, and drain facilities should be used only where local codes permit.



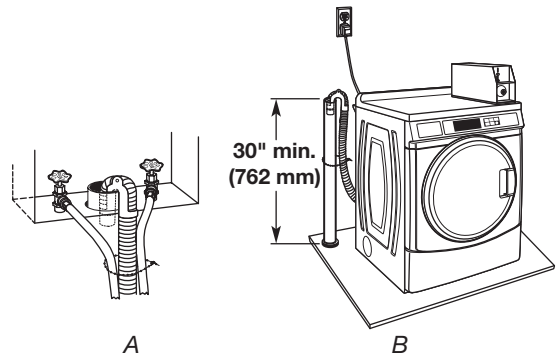
Drain System

The washer can be installed using the standpipe drain system (floor or wall), the laundry tub drain system, or the floor drain system. Select the drain hose installation method you need. See “Tools and Parts.”

Standpipe drain system – wall or floor (views A & B)

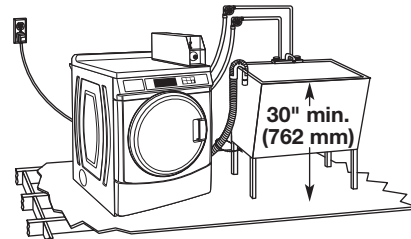
The standpipe drain requires a minimum diameter standpipe of 2" (50 mm). The minimum carry-away capacity can be no less than 10 gal. (38 L) per minute, per washer.

The top of the standpipe must be at least 30" (762 mm) high and no higher than 96" (2.4 m) from the bottom of the washer.



Laundry tub drain system

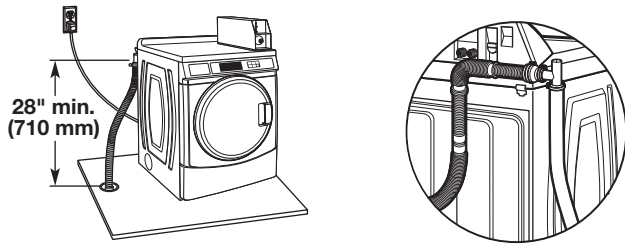
The laundry tub needs a minimum 20 gal. (76 L) capacity. The top of the laundry tub must be at least 30" (762 mm) above the floor.



Floor drain system

The floor drain system requires a siphon break that may be purchased separately. See "Tools and Parts."

The siphon break must be a minimum of 28" (710 mm) from the bottom of the washer. Additional hoses might be needed.



Electrical Requirements

⚠ WARNING



Electrical Shock Hazard

Plug into a grounded 3 prong outlet.

Do not remove ground prong.

Do not use an adapter.

Do not use an extension cord.

Failure to follow these instructions can result in death, fire, or electrical shock.

- A 120 volt, 60 Hz., AC only, 15- or 20-amp, fused electrical supply is required. A time-delay fuse or circuit breaker is recommended. It is recommended that a separate circuit serving only this washer be provided.
- This washer is equipped with a power supply cord having a 3 prong grounding plug.
- To minimize possible shock hazard, the cord must be plugged into a mating, 3 prong, grounding-type outlet, grounded in accordance with local codes and ordinances. If a mating outlet is not available, it is the personal responsibility and obligation of the customer to have the properly grounded outlet installed by a qualified electrician.
- If codes permit and a separate ground wire is used, it is recommended that a qualified electrician determine that the ground path is adequate.
- Do not ground to a gas pipe.
- Check with a qualified electrician if you are not sure if the washer is properly grounded.
- Do not have a fuse in the neutral or ground circuit.

GROUNDING INSTRUCTIONS

For a grounded, cord-connected washer:

This washer must be grounded. In the event of a malfunction or breakdown, grounding will reduce the risk of electrical shock by providing a path of least resistance for electric current. This washer is equipped with a cord having an equipment-grounding conductor and a grounding plug. The plug must be plugged into an appropriate outlet that is properly installed and grounded in accordance with all local codes and ordinances.

WARNING: Improper connection of the equipment-grounding conductor can result in a risk of electric shock. Check with a qualified electrician or serviceman if you are in doubt as to whether the appliance is properly grounded.

Do not modify the plug provided with the appliance – if it will not fit the outlet, have a proper outlet installed by a qualified electrician.

For a permanently connected washer:

This washer must be connected to a grounded metal, permanent wiring system, or an equipment grounding conductor must be run with the circuit conductors and connected to the equipment-grounding terminal or lead on the appliance.

INSTALLATION INSTRUCTIONS

Remove Transport System

⚠ WARNING

Excessive Weight Hazard

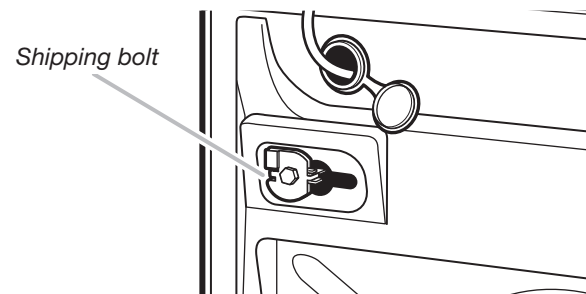
Use two or more people to move and install washer.

Failure to do so can result in back or other injury.

IMPORTANT: Position the washer so that the rear of the washer is within approximately 3 ft. (900 mm) of its final location.

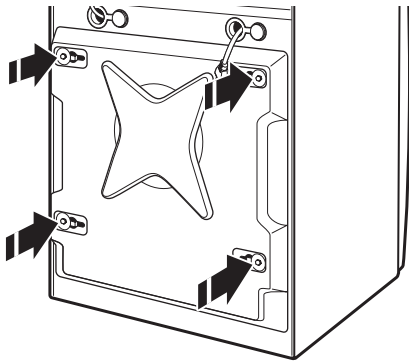
There are 4 shipping bolts in the rear panel of the washer that support the suspension system during transportation. These bolts also retain the power cord inside the washer until the bolts are removed.

1. Keep the washer in the upright position while removing the shipping bolts.

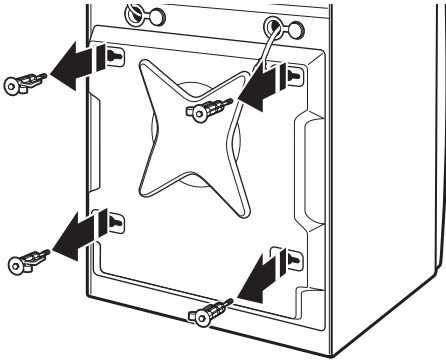


Shipping bolt with plastic spacer

- Using a 1/2" wrench, loosen each of the bolts.



- Once the bolt is loose, move it to the center of the hole and completely pull out the bolt, including the plastic spacer covering the bolt.



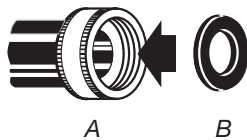
- Once all 4 bolts are removed, discard the bolts and spacers. Then push the power cord plug into the opening on the right side of the rear panel and pull the power cord through the opening on the left side of the rear panel and close holes with the attached cap. Do not pull plug end of power cord through the right side hole.

- Close the bolt holes with the 4 transport bolt hole plugs.

NOTE: If the washer is to be transported at a later date, call your product distributor or installer. To avoid suspension and structural damage, your washer must be properly set up for relocation by a trained professional.

Connect the Inlet Hoses

Insert new flat washers (supplied) into each end of the inlet hoses. Firmly seat the washers in the couplings.



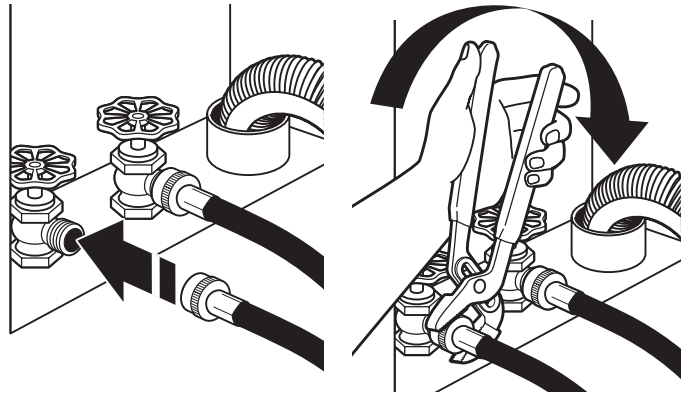
A. Coupling
B. Washer

Connect the inlet hoses to water faucets

Make sure the washer drum is empty.

- Attach a hose to the hot water faucet. Screw on coupling by hand until it is seated on the washer.
- Attach a hose to the cold water faucet. Screw on coupling by hand until it is seated on the washer.

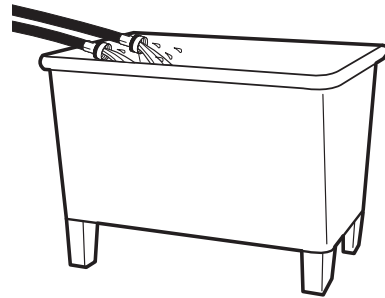
- Using pliers, tighten the couplings with an additional two-thirds turn.



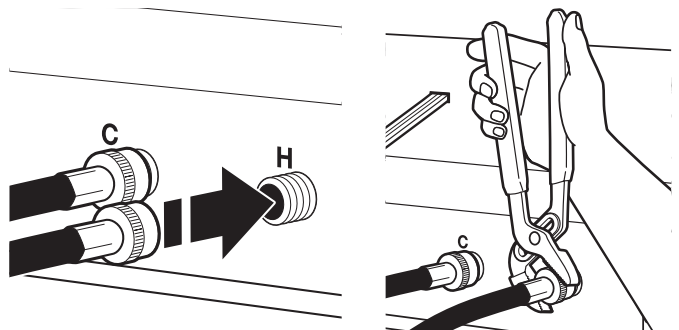
NOTE: Do not overtighten or use tape or sealants on the valve. Damage to the valves can result.

Clear water lines

- Run water through both faucets and inlet hoses, into a laundry tub, drainpipe, or bucket, to get rid of particles in the water lines that might clog the inlet valve screens.
- Check the temperature of the water to make sure that the hot water hose is connected to the hot water faucet and that the cold water hose is connected to the cold water faucet.



Connect the inlet hoses to the washer

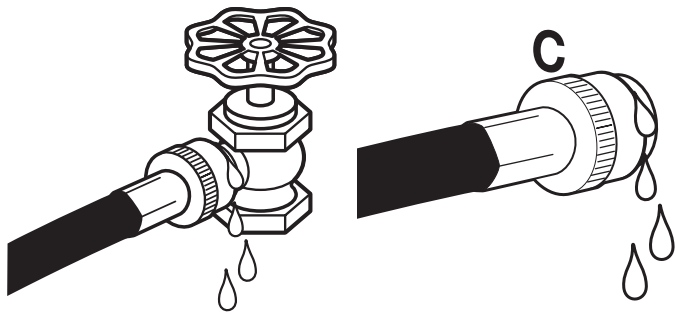


C. Cold water inlet
H. Hot water inlet

- Attach the hot water hose to the check valve on washer's hot (H) water inlet valve. Screw on coupling by hand until it is seated on the check valve.
- Attach the cold water hose to the check valve on washer's cold (C) water inlet valve. Screw on coupling by hand until it is seated on the check valve.
- Using pliers, tighten the couplings with an additional two-thirds turn.

NOTE: Do not overtighten. Damage to the coupling can result.

- Turn on the water faucets completely and check for leaks and at washer connection.



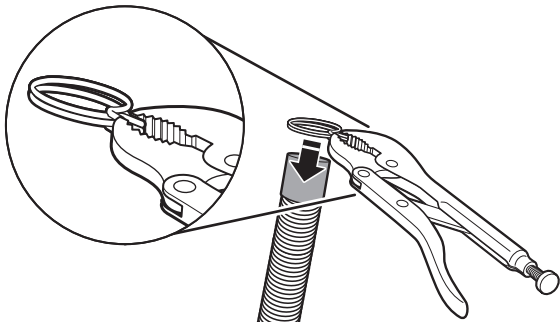
NOTE: Replace inlet hoses after 5 years of use to reduce the risk of hose failure. Record hose installation or replacement dates on the hoses for future reference.

Periodically inspect and replace hoses if bulges, kinks, cuts, wear, or leaks are found.

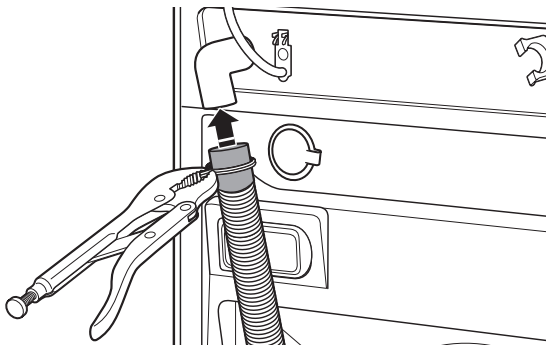
Connect the Drain Hose

Remove drain hose from washer drum

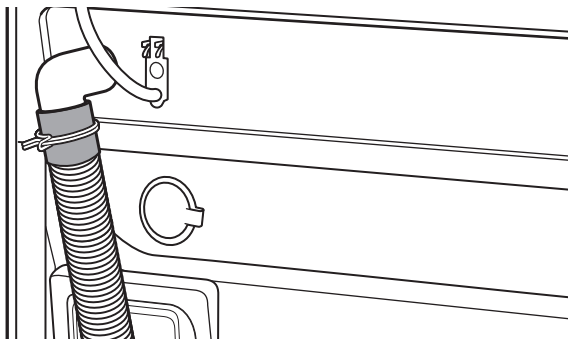
- Using locking pliers, squeeze hose clamp tabs together and insert over the end of drain hose.



- Slide drain hose onto washer connection.



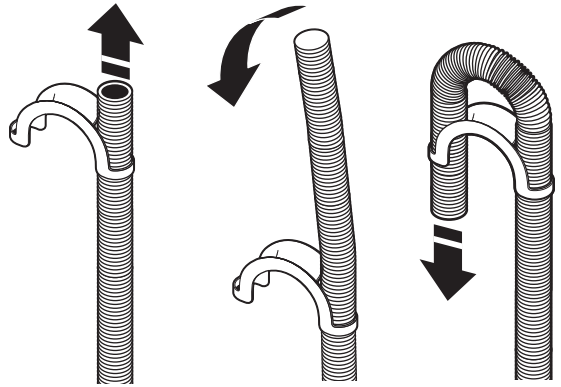
- Once drain hose is in place, release pliers.



Washer drain system can be installed using a floor drain, wall standpipe, floor standpipe, or laundry tub.

Laundry tub drain or standpipe drain

Connect the drain hose form to the corrugated drain hose.



To keep drain water from going back into the washer:

- Use the drain hose form, and do not force excess drain hose into standpipe. Hose should be secure but loose enough to provide a gap for air.
- Do not lay excess hose on the bottom of the laundry tub.

Floor drain

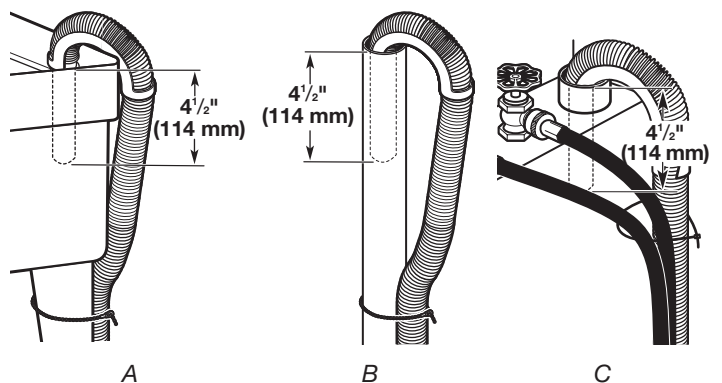
You may need additional parts. See Floor drain under "Tools and Parts."

Secure the Drain Hose

Drain hose must be secured to stop the hose from moving when water is pumped out. If the drain hose moves, water may end up on the floor.

It is the responsibility of the installer to install and secure the drain hose into the provided plumbing/drain in a manner that will avoid the drain hose coming out of or leaking from the plumbing/drain.

- Drape the power cord over the washer top.
- Move the washer to its final location.
- Place the drain hose in the laundry tub or standpipe as shown. See illustrations A, B, and C.



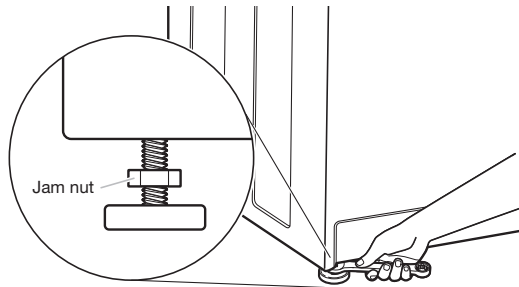
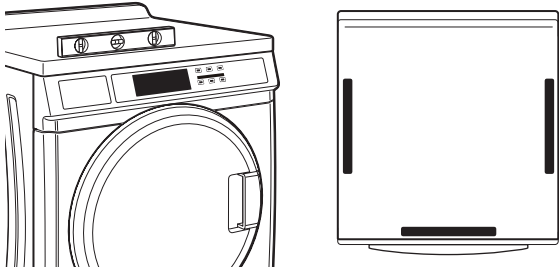
NOTES:

- Do not force excess drain hose back into the rear of the washer.
- To avoid siphoning, do not seal or put more than 4 1/2" (114 mm) of the drain hose into drainpipe or standpipe.

Level the Washer

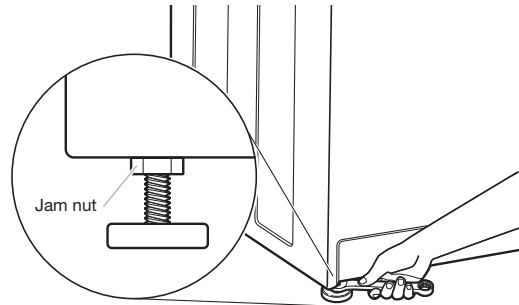
Properly leveling your washer avoids excessive noise and vibration.

1. Check the levelness of the washer by placing a level on the top edge of the washer, first side-to-side, then front to back.



If the washer is against a wall, move the washer out slightly before tipping back. If the washer is not level, first prop the front with a wood block and adjust the feet as necessary; then, prop the back and adjust feet as necessary. Repeat this step until washer is level.

2. Make sure all four feet are stable and resting on the floor. Then check that the washer is perfectly level (use a level).
3. After the washer is level, use a $\frac{1}{16}$ " open-end wrench to turn the nuts on the feet tightly against the washer cabinet.



IMPORTANT: All four feet must be tightened. If the nuts are not tight against the washer cabinet, the washer may vibrate.

4. The washer should not move front to back, side to side, or diagonally when pushed on its top edges.
5. Slide the washer to its final location.
6. Confirm the levelness of the washer.

Complete Installation

1. Check the electrical requirements. Be sure that you have the correct electrical supply and the recommended grounding method. See "Electrical Requirements."
2. Check that all parts are now installed. If there is an extra part, go back through the steps to see which step was skipped.
3. Check that you have all of your tools.
4. Dispose of/recycle all packaging materials.
5. Check that the water faucets are on.
6. Check for leaks around faucets and inlet hoses.

⚠ WARNING



Electrical Shock Hazard

Plug into a grounded 3 prong outlet.

Do not remove ground prong.

Do not use an adapter.

Do not use an extension cord.

Failure to follow these instructions can result in death, fire, or electrical shock.

7. Plug into a grounded 3 prong outlet.
8. To test and to clean your washer, measure $\frac{1}{2}$ the detergent manufacturer's recommended amount of High Efficiency (HE) detergent for a medium-size load. Pour the detergent into the detergent dispenser. Select any cycle and allow the washer to complete one whole cycle.



USER & SET-UP INSTRUCTIONS



NOTE: After the washer has been installed and plugged in, the display may show '0 MINUTES'. Once the washer has been plugged in and the washer door opened and closed, the display will show the price. In washers set for free cycles, the display will flash 'SELECT CYCLE'.

1. PD Models: Insert coins until 'SELECT CYCLE' flashes in display.
PR Models: A debit card is required rather than coins. In Enhanced Debit mode, the card balance will also display when a debit card is inserted into the reader.
2. Door must be closed before cycle selection is made,
3. Press fabric setting key pad for the wash cycle desired. After the cycle is started, the time will display and count down.
4. If a cycle is interrupted by opening the door, 'RESELECT CYCLE' will flash in the display. To restart the washer, close door, and reselect desired cycle.

General User Information

SCROLLING 'OUT OF ORDER' SHOWING IN DISPLAY

This condition indicates the washer is inoperative.

'0 MINUTES' SHOWING IN DISPLAY

This indicates the cycle is complete and the washer cannot be operated. Coins dropped or debit inputs during this condition will be stored in escrow but cannot be used until normal operation is restored by opening and closing the door. If a door switch fails, it must be replaced before normal operation can be restored.

COLD START (Initial first use)

Washer is programmed at the factory as follows:

- 11-minute wash period
- 3 rinses (extra rinse not enabled)
- \$1.75 wash price (PD models)
- \$0 00 wash price (PR models)

WARM START (after power failure)

A few seconds after power is restored, if a cycle was in progress at the time of the power failure, 'RESELECT CYCLE' will flash in the display, indicating the need for a key press to restart the washer.

DOOR LOCK

Prior to beginning a cycle, there is a door lock routine of lock/unlock/relock; then cycle begins. The door will remain locked until the end of a cycle or approximately 2 minutes after a power interruption.

PRICING

After the door is opened following the completion of a cycle, the display indicates the cycle price (unless set for free operation). As coins are dropped or debit inputs arrive, the display will change to lead the user through the initiation of a cycle.

FREE CYCLES

This is established by setting the cycle price to zero. When this happens, 'SELECT CYCLE' will appear rather than a cycle price.

DEBIT CARD READY

This washer is debit card 'cable' ready. It will accept a variety of debit card systems, but does NOT come with a debit card reader. Refer to the debit card reader manufacturer for proper washer set-up. In models converted to a Generation 1 debit card system, debit pulses represent the equivalent of one coin (coin 1).

Control Set-up Procedures

IMPORTANT: Read all instructions before operating.

PD Models: Insert access door key, turn, and lift to remove access door.

PR Models: Once the debit card reader is installed (according to the reader manufacturer's instructions), the set-up mode can only be entered by inserting a set-up card (supplied by the reader manufacturer) into the card slot. If a set-up card is not available, diagnostic modes can be entered by removing connector AA1 on the circuit board or by using the Service Access Code (see Service Access Code section, page 14) for PR models set up as a PN.

The lower fabric setting key pads and the digital display are used to set up the controls.

The display can contain 4 numbers and/or letters and a decimal point. These are used to indicate the set-up codes and related code values available for use in programming the washer.

HOW TO USE THE KEY PADS TO PROGRAM THE CONTROLS

1. POWER WASH – UPPER LEFT button is used to adjust the values associated with set-up codes. Pressing the key pad will increment the value. Rapid adjustment is possible by holding the button down.
2. The TEMPERATURE – LOWER LEFT key pad is used to adjust the values associated with set-up codes. Pressing the key pad will decrement the value. Rapid adjustment is possible by holding down the key pad.
3. The EXTRA RINSE – LOWER MIDDLE key pad will advance through the set-up codes. Pressing the key pad will advance to the next available set-up code. Holding the key pad down will automatically advance through the set-up codes at a rate of 1 per second.
4. The DELICATES – UPPER RIGHT key pad is used to select or deselect options.

Start Operating Set-up

Before proceeding, it is worth noting that, despite all of the options available, an owner can simply choose to uncrate a new commercial washer, hook it up, plug it in, and have a washer that operates.

Washers are preset at the factory for an 11-minute wash period and 3 rinses (no extra rinse).

SET-UP CODES

- The EXTRA RINSE – LOWER MIDDLE key pad will advance you from code to code.
- The TEMPERATURE – LOWER LEFT and POWER WASH – UPPER LEFT key pads will change the code value.
- The DELICATES – UPPER RIGHT key pad will select or deselect options.

FOR PR MODELS: The set-up codes are the same as for the "PD" model except where noted.

The set-up code is indicated by the one or two left-hand characters. The set-up code value is indicated by the two or three right-hand characters.

CODE	EXPLANATION
6 07 NORMAL	NORMAL REGULAR CYCLE PRICE (Factory Default)
6 07	Represents the number of quarters (coin 1); may adjust from 0–200. (See VALUE OF COIN 1.) Increase from 0–200 by pressing the UPPER LEFT key pad and decrease by pressing LOWER LEFT key pad. Factory default of 7 quarters = \$1.75.
6 00	PR MODELS ONLY: Factory default of 0 quarters. 6 01 setting would represent one coin slide actuation. → Press the LOWER MIDDLE key pad once to advance to next code.
6 07 DELICATES	DELICATES REGULAR CYCLE PRICE (Factory Default)
6 07	Represents the number of quarters (coin 1); may adjust from 0–200. (See VALUE OF COIN 1.) Increase from 0–200 by pressing the UPPER LEFT key pad and decrease by pressing LOWER LEFT key pad. Factory default of 7 quarters = \$1.75.
6 00	PR MODELS ONLY: Factory default of 0 quarters. 6 01 setting would represent one coin slide actuation. → Press the LOWER MIDDLE key pad once to advance to next code.
6 07 POWER WASH	POWER WASH REGULAR CYCLE PRICE (Factory Default)
6 07	Represents the number of quarters (coin 1); may adjust from 0–200. (See VALUE OF COIN 1.) Increase from 0–200 by pressing the UPPER LEFT key pad and decrease by pressing LOWER LEFT key pad. Factory default of 7 quarters = \$1.75.
6 00	PR MODELS ONLY: Factory default of 0 quarters. 6 01 setting would represent one coin slide actuation. → Press the LOWER MIDDLE key pad once to advance to next code.
7 11	WASH LENGTH
7 11	This is the number of minutes for WASH. Washer comes from the factory preset with 11 minutes. Choose from 9–17 minutes by pressing the LOWER LEFT key pad. → Press the LOWER MIDDLE key pad once to advance to next code.
8 00	ADDITIONAL RINSE OPTION/EXIT SERVICE MODE
	NOTE: This only affects NORMAL and DELICATES cycles. Additional Rinse is always enabled for POWERWASH.
8 00	Additional Rinse not selected 'OFF'. Use this field to exit Service Mode when entered via the key dance. Press and hold the LOWER LEFT key pad to exit Service Mode.
8 Ar	Additional Rinse selected 'ON'. Use this field to exit Service Mode when entered via the key dance. → Press and hold the LOWER LEFT key pad to exit Service Mode. Press the LOWER MIDDLE key pad once to advance to next code.
9 00	CYCLE COUNTER OPTION This option is either SELECTED 'ON' or NOT SELECTED 'OFF'.
9 00	Not Selected 'OFF'.
9 0C	Selected 'ON' and not able to be deselected. Press the LOWER RIGHT key pad 3 consecutive times to select 'ON'. Once selected 'ON' it cannot be deselected. → Press the LOWER MIDDLE key pad once to advance to next code.

CODE	EXPLANATION
1. 00	MONEY COUNTER OPTION This option is either SELECTED 'ON' or NOT SELECTED 'OFF'.
1. 00	Not Selected 'OFF'.
1. 0C	Selected 'ON'. Press the UPPER RIGHT key pad 3 consecutive times to select 'ON' and 3 consecutive times to remove (Not Selected 'OFF'.) Counter resets by going from 'OFF' to 'ON'.
1 C0	Selected 'ON' and not able to be deselected. To select 'ON' and not able to be deselected, first select 'ON', then within 2 seconds, press the LOWER RIGHT key pad twice, LOWER LEFT key pad once, and exit the set-up mode. → Press the LOWER MIDDLE key pad once to advance to next code.
2. 00	SPECIAL PRICING OPTIONS This option is either SELECTED 'ON' or NOT SELECTED 'OFF'.
2. 00	Not Selected 'OFF', and next available code will be A.00.
2. SP	Selected 'ON'. Press the UPPER RIGHT key pad once for this selection.
NOTE: If SPECIAL PRICING OPTION is selected, there is access to codes '3.XX' through '9.XX'.	
→	Press the LOWER MIDDLE key pad once to advance to next code.
Options to use if SPECIAL PRICING is selected:	
3. 07 NORMAL	NORMAL SPECIAL CYCLE PRICE
3. 07	Represents the number of quarters (coin 1); may adjust from 0–200. (See VALUE OF COIN 1.) Increase from 0–200 by pressing the UPPER LEFT key pad and decrease by pressing LOWER LEFT key pad. Factory default of 7 quarters = \$1.75.
3. 00	PR MODELS ONLY: Factory default of 0 quarters. → Press the LOWER MIDDLE key pad once to advance to next code.
3. 07 DELICATES	DELICATES SPECIAL CYCLE PRICE
3. 07	Represents the number of quarters (coin 1); may adjust from 0–200. (See VALUE OF COIN 1.) Increase from 0–200 by pressing the UPPER LEFT key pad and decrease by pressing LOWER LEFT key pad. Factory default of 7 quarters = \$1.75.
3. 00	PR MODELS ONLY: Factory default of 0 quarters. → Press the LOWER MIDDLE key pad once to advance to next code.
3. 07 POWER WASH	POWERWASH SPECIAL CYCLE PRICE
3. 07	Represents the number of quarters (coin 1); may adjust from 0–200. (See VALUE OF COIN 1.) Increase from 0–200 by pressing the UPPER LEFT key pad and decrease by pressing LOWER LEFT key pad. Factory default of 7 quarters = \$1.75.
3. 00	PR MODELS ONLY: Factory default of 0 quarters. → Press the LOWER MIDDLE key pad once to advance to next code.

CODE	EXPLANATION																								
5. 00	TIME-OF-DAY CLOCK, MINUTES																								
5. 00	This is the TIME-OF-DAY CLOCK, minute setting; select 0–59 minutes by pressing the LOWER LEFT key pad. → Press the LOWER MIDDLE key pad once to advance to next code.																								
6. 00	TIME-OF-DAY CLOCK, HOURS NOTE: Uses MILITARY TIME or 24 hr. clock.																								
6. 00	This is the TIME-OF-DAY CLOCK, hour setting; select 0–23 hours by pressing the LOWER LEFT key pad. → Press the LOWER MIDDLE key pad once to advance to next code.																								
7. 00	SPECIAL PRICE START HOUR NOTE: Uses MILITARY TIME or 24 hr. clock.																								
7. 00	This is the start hour; 0–23 hours. Select START HOUR by pressing the LOWER LEFT or UPPER LEFT key pad. → Press the LOWER MIDDLE key pad once to advance to next code.																								
8. 00	SPECIAL PRICE STOP HOUR NOTE: Uses MILITARY TIME or 24 hr. clock.																								
8. 00	This is the stop hour; 0–23 hours. Select STOP HOUR by pressing the LOWER LEFT or UPPER LEFT key pad. → Press the LOWER MIDDLE key pad once to advance to next code.																								
9. 10	SPECIAL PRICE DAY																								
9. 10	This represents the day of the week and whether special pricing is selected for that day. A number followed by '0' indicates no selection that particular day (9.10). A number followed by an 'S' indicates selected for that day (9.1S). Days of the week (1–7) are selected by pressing the LOWER LEFT key pad. Press the UPPER RIGHT key pad once to select special pricing for each day chosen. When exiting set-up code '9', the display must show current day of week: <table border="1"> <thead> <tr> <th>DISPLAY</th> <th>DAY OF WEEK</th> <th>CODE (selected)</th> </tr> </thead> <tbody> <tr> <td>10</td> <td>Day 1 = Sunday</td> <td>1S</td> </tr> <tr> <td>20</td> <td>Day 2 = Monday</td> <td>2S</td> </tr> <tr> <td>30</td> <td>Day 3 = Tuesday</td> <td>3S</td> </tr> <tr> <td>40</td> <td>Day 4 = Wednesday</td> <td>4S</td> </tr> <tr> <td>50</td> <td>Day 5 = Thursday</td> <td>5S</td> </tr> <tr> <td>60</td> <td>Day 6 = Friday</td> <td>6S</td> </tr> <tr> <td>70</td> <td>Day 7 = Saturday</td> <td>7S</td> </tr> </tbody> </table> → Press the LOWER MIDDLE key pad once to advance to next code.	DISPLAY	DAY OF WEEK	CODE (selected)	10	Day 1 = Sunday	1S	20	Day 2 = Monday	2S	30	Day 3 = Tuesday	3S	40	Day 4 = Wednesday	4S	50	Day 5 = Thursday	5S	60	Day 6 = Friday	6S	70	Day 7 = Saturday	7S
DISPLAY	DAY OF WEEK	CODE (selected)																							
10	Day 1 = Sunday	1S																							
20	Day 2 = Monday	2S																							
30	Day 3 = Tuesday	3S																							
40	Day 4 = Wednesday	4S																							
50	Day 5 = Thursday	5S																							
60	Day 6 = Friday	6S																							
70	Day 7 = Saturday	7S																							
A. 00	Vault Viewing Option This option is either SELECTED 'ON' or NOT SELECTED 'OFF'.																								
A. 00	Not Selected 'OFF'.																								
A. SC	Selected 'ON'. Press the UPPER RIGHT key pad once for this selection. When selected, the money and/or cycle counts will be viewable (if counter option(s) is selected) when the coin box is removed. → Press the LOWER MIDDLE key pad once to advance to next code.																								

CODE	EXPLANATION
b. 05	VALUE OF COIN 1
b. 05	This represents the value of coin 1 in number of nickels: 05 = \$0.25. By pressing the LOWER LEFT key pad, there is an option of 1–199 nickels. → Press the LOWER MIDDLE key pad once to advance to next code.
C. 20	VALUE OF COIN 2
C. 20	This represents the value of coin 2 in number of nickels: 20 = \$1.00.
C. 05	PR MODELS ONLY: Factory default of \$0.25. By pressing the LOWER LEFT key pad, there is the option of 1–199 nickels. → Press the LOWER MIDDLE key pad once to advance to next code.
d. 00	COIN SLIDE OPTION This option is either SELECTED 'ON' or NOT SELECTED 'OFF'. Replacement of meter case will be needed for coin slide mounting.
d. 00	Not Selected 'OFF'.
d. CS	Selected 'ON'. NOTE: This option needs to be set to '00' unless the meter case has been changed to accept a coin slide device. Press the UPPER RIGHT key pad 3 consecutive times for this selection. When coin slide mode is selected, set 'b'. equal to value of vend price in nickels. Set set-up code 6 xx (regular cycle price) and set-up code 3.xx (special cycle price) to number of slide operations. If the installer sets-up 'CS' and a coin drop mechanism is installed, the washer will not register coins that are inserted. → Press the LOWER MIDDLE key pad once to advance to next code.
E. 00	ADD COINS OPTION This option is either SELECTED 'ON' or NOT SELECTED 'OFF'. This option causes the customer display to show the number of coins (coin 1) to enter, rather than the dollars-and-cents amount.
E. 00	Not Selected 'OFF'.
E. AC	Selected 'ON'. Press the UPPER RIGHT key pad 3 consecutive times for this selection. → Press the LOWER MIDDLE key pad once to advance to next code.
H. 00	COOL TEMPERATURE UPGRADE PRICE COOL
H. 00	Increase from 0–200 by pressing the UPPER LEFT key pad and decrease by pressing LOWER LEFT key pad. Factory default for 0 coins = \$0.00 → Press the LOWER MIDDLE key pad once to advance to next code.
H. 00	WARM TEMPERATURE UPGRADE PRICE WARM
H. 00	Increase from 0–200 by pressing the UPPER LEFT key pad and decrease by pressing LOWER LEFT key pad. Factory default for 0 coins = \$0.00 → Press the LOWER MIDDLE key pad once to advance to next code.

CODE	EXPLANATION
H. 00 HOT	HOT TEMPERATURE UPGRADE PRICE
H. 00	Increase from 0–200 by pressing the UPPER LEFT key pad and decrease by pressing LOWER LEFT key pad. Factory default for 0 coins = \$0.00 → Press the LOWER MIDDLE key pad once to advance to next code.
H. 01 EXTRA RINSE	EXTRA RINSE UPGRADE PRICE
H. 01	Increase from 0–200 by pressing the UPPER LEFT key pad and decrease by pressing LOWER LEFT key pad. Factory default for 0 coins = \$0.00 → Press the LOWER MIDDLE key pad once to advance to next code.
J. Cd	COIN/DEBIT OPTION
J. Cd	Both coin and debit selected. Press the UPPER RIGHT key pad 3 consecutive times for this selection.
J. C_	Coins selected, debit disabled. Press the UPPER RIGHT key pad 3 consecutive times for this selection.
J. _d	PR models factory default to J._d. Debit Card selected, coins disabled. Press the UPPER RIGHT key pad 3 consecutive times to change this selection.
J. Ed	Enhanced Debit is self-selected when a Generation 2 card reader is installed in the washer. The Ed option cannot be manually selected or deselected. → Press the LOWER MIDDLE key pad once to advance to next code.
L. 00	PRICE SUPPRESSION OPTION This option causes the customer display to show 'ADD' or 'AVAILABLE' rather than the amount of money to add. (Used mainly in debit installations.)
L. 00	Not Selected 'OFF.'
L. PS	Selected 'ON.' Press the UPPER RIGHT key pad once for this selection. → Press the LOWER MIDDLE key pad once to advance to next code.
n. CE	CLEAR ESCROW OPTION When selected, money held in escrow for 30 minutes without further escrow or cycle activity will be cleared.
n 00	Not Selected 'OFF'.
n CE	Selected 'ON'. Press the UPPER RIGHT key pad once for this selection. → Press the LOWER MIDDLE key pad once to advance to next code.
r. 800	TOP SPIN SPEED RPM
r. 800	This can be selected from the following spin speeds: 600 rpm, 750 rpm, 800 rpm, 1000 (displays as 999) rpm. Step between speeds by pressing the UPPER RIGHT key pad. Factory default of 800 rpm. → Press the LOWER MIDDLE key pad once to advance to next code.

CODE	EXPLANATION
U. 00	PENNY INCREMENT OFFSET
U. 00	This represents the penny increment price offset used in Generation 2 (Enhanced Debit) PR models. Choose from 0–4 pennies by pressing the LOWER LEFT key pad. → Press the LOWER MIDDLE key pad once to advance to next code.
A1. 03	PREWASH LENGTH
A1. 03	This is the number of minutes of PREWASH. Select between 2 and 7 minutes by pressing the UPPER LEFT key pad to increase or the LOWER LEFT key pad to decrease. → Press the LOWER MIDDLE key pad once to advance to next code.
A2. 03	FINAL SPIN LENGTH
A2. 03	This is the number of minutes of final high speed spin. Choose from 3–8 minutes by pressing the UPPER LEFT key pad to increase or the LOWER LEFT key pad to decrease. → Press the LOWER MIDDLE key pad once to advance to next code.
A3. 02	NORMAL CYCLE SETTINGS
A3. 02	Allows the owner to select the cycle default options of Water Temperature, Prewash, and Extra Rinse. See Table 1 for specific settings. Normal is set to 02 from the factory. The UPPER LEFT and LOWER LEFT key pads change the values.
A4. 00	DELICATES CYCLE SETTINGS
A4. 00	Allows the owner to select the cycle default options of Water Temperature, Prewash, and Extra Rinse. See Table 1 for specific settings. Delicates is set to 00 from the factory. The UPPER LEFT and LOWER LEFT key pads change the values.
A5. OF	POWER WASH CYCLE SETTINGS
A5. OF	Allows the owner to select the cycle default options of Water Temperature, Prewash, and Extra Rinse. See Table 1 for specific settings. Power Wash is set to OF from the factory. The UPPER LEFT and LOWER LEFT key pads change the values.

A3, A4, or A5	Extra Rinse	Prewash	Wash Temp	A3, A4, or A5	Extra Rinse	Prewash	Wash Temp
00	Off	Off	Cold	08	On	Off	Cold
01	Off	Off	Cold	09	On	Off	Cold
02	Off	Off	Warm	0A	On	Off	Warm
03	Off	Off	Hot	0b	On	Off	Hot
04	Off	On	Cold	0c	On	On	Cold
05	Off	On	Cool	0d	On	On	Cool
06	Off	On	Warm	0E	On	On	Warm
07	Off	On	Hot	0F	On	On	Hot

If cycle counter (9 0C) is selected, the following is true:

1 00	Represents the number of cycles in HUNDREDS	1 <u>02</u> = 200
2 00	Represents the number of cycles in ONES	2 <u>25</u> = 25
		TOTAL CYCLES = 225

This is "VIEW ONLY" and cannot be cleared.

Press the LOWER MIDDLE key pad once to advance to next code.

If money counter (1.0C or 1.C0) is selected, the following is true:

3 00	Number of dollars in HUNDREDS	3 <u>01</u> = \$100.00
4 00	Number of dollars in ONES	4 <u>68</u> = \$ 68.00
5 00	Number of CENTS	5 <u>75</u> = \$.75
		TOTAL = \$168.75

END OF SET-UP PROCEDURES

EXIT FROM SET-UP MODE

PD Models:

Reinstall access door.

PR Models:

1. Unplug washer or disconnect power.
2. Open console, reinsert plug into AA1, close console.
3. Plug in washer or reconnect power.

PR MODELS SET UP AS PN WITH PROGRAMMING SWITCH:

Turn key clockwise and remove.

PR MODELS SET UP AS PN WITHOUT PROGRAMMING SWITCH:

Set-up mode can be exited by using procedures from Service Access Code (Below).

SERVICE ACCESS CODE

This code can be entered to access service mode without removing the console. It only functions on washers set up for 0 vend price without any Special Pricing set-up, and the Coin/Debit Option must be set to "J_d". If the washer is not in failure mode, the door must be opened to proceed. Service Access Code contains 4 steps. Perform the following steps:

1. Press the upper left key pad.
2. Press the lower right key pad.
3. Press the upper right key pad.
4. Press the lower left key pad.

NOTE: If the Service Access Code procedure is not completed properly, as noted above, there is a 15 second delay before it can be attempted again.

There are 3 options to exit from the Service Mode:

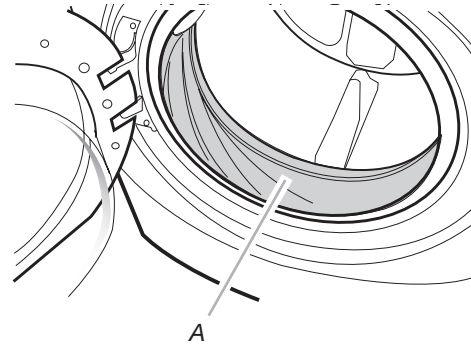
1. From Set-up Code 8, press the lower left (Temperature) key pad for 4 seconds.
2. Wait 2 minutes without touching any key pads (without diagnostic modes running).
3. Power down the washer, then reapply power.

WASHER CARE

Cleaning Your Washer

Cleaning the Door Seal/Bellow

1. Open the washer door and remove any clothing or items from the washer.
2. Inspect inner glass door. If debris is present, wipe off debris using damp cloth.
3. Inspect the colored seal/bellow between the door opening and the drum for stained areas. Pull back the seal/bellow to inspect all areas under the seal/bellow and to check for foreign objects.



A. Seal/Bellow

4. If stained areas are found, wipe down these areas of the seal/bellow, using the procedure that follows:
 - a) Mix a dilute solution, using $\frac{3}{4}$ cup (177 mL) of liquid chlorine bleach, and 1 gal. (3.8 L) of warm tap water.
 - b) Wipe the seal/bellow area with the dilute solution, using a damp cloth.
 - c) Let stand 5 minutes.
 - d) Wipe down area thoroughly with a dry cloth and let the washer interior air dry with door open.

IMPORTANT:

- Wear rubber gloves when cleaning for prolonged periods.
- Refer to the bleach manufacturer's instructions for proper use.

Washer Maintenance Procedure

This washer has a special cycle that uses higher water volumes in combination with liquid chlorine bleach to thoroughly clean the inside of the washer.

NOTES:

- Read these instructions completely before beginning the cleaning process.
- If necessary, the cleaning cycle may be interrupted by pressing the UPPER RIGHT key pad twice. However, this will not immediately stop the cycle. The washer will continue with several rinse and drain steps to ensure that all remaining bleach is rinsed from the washer.

Begin procedure

1. Open the washer door and remove any clothing or items from the washer.
2. **Use liquid chlorine bleach:**
Open the dispenser drawer and immediately add $\frac{2}{3}$ cup (160 mL) of liquid chlorine bleach to the bleach compartment.
NOTE: Do not add any detergent to this cycle. Use of more than $\frac{2}{3}$ cup (160 mL) of bleach will cause product damage over time.
3. Close the washer door and the dispenser drawer.
4. To start the Clean Washer cycle, first enter "Start Operating Set-up." Then press and hold the UPPER RIGHT key pad for 1 second. With the entire display flashing, press BRIGHTS.
NOTE: The door will lock, the drum will rotate a $\frac{1}{2}$ turn, then the door will unlock, lock again, and then the cycle will continue.
 - The washer will not fill, but the drum will rotate while the washer runs a short sensing cycle. This will take approximately 3 minutes.
5. The cycle will determine whether clothing or other items are in the washer.
 - a) If no items are detected in the washer, it will proceed to Step 7.
 - b) If any items are detected in the washer, "rL" or "F-34" will be displayed. Then the door will unlock.
 - Press the UPPER RIGHT key pad to cancel the failure code. Then repeat steps 1, 3, and 4 to start the cycle again.
6. Once the cycle has begun, allow the cycle to complete.
7. After the cycle is complete, leave the door open slightly, to allow for better ventilation and drying of washer interior.

Always do the following to maintain washer freshness:

- Use only "HE" High Efficiency detergent.
- Leave the door slightly open after each cycle to allow for better ventilation and drying of washer interior.
- Clean the washer monthly using the Washer Maintenance Procedure and $\frac{2}{3}$ cup (160 mL) of liquid chlorine bleach.
- If the procedure does not sufficiently improve the washer freshness, please evaluate your installation and usage conditions for other causes.

Cleaning the exterior

Use a soft damp cloth or sponge to wipe up any spills. Occasionally wipe the outside of your washer to keep it looking new. Use mild soap and water. Do not use abrasive products.

Cleaning the dispenser drawer

The dispenser drawer is removable for easy cleaning.

1. Unlock the dispenser drawer by pressing the Release Lever. Remove the drawer.
2. Remove the inserts (the siphon from the softener and bleach compartments).
3. Wash the parts under running water.
NOTE: Do not wash components in the dishwasher.
4. Re-install the inserts and return the dispenser to the drawer.

Water Inlet Hoses

Replace water inlet hoses after 5 years of use to reduce the risk of hose failure. Periodically inspect and replace water inlet hoses if bulges, kinks, cuts, wear, or leaks are found.

When replacing your water inlet hoses, mark the date of replacement.

ASSISTANCE OR SERVICE

If you need assistance:

Contact the distributor where the washer was purchased; locate an authorized Maytag Commercial Laundry distributor or visit www.maytagcommerciallaundry.com.

When you call, have the washer model number and serial number. Both numbers can be found on the serial-rating plate located on your washer.

MAYTAG® COMMERCIAL WASHER, DRYER, STACKED DRYER/DRYER, COMMERCIAL STACK LAUNDRY, AND MULTI-LOAD COIN OPERATED COMMERCIAL WASHERS AND DRYERS WARRANTY

LIMITED WARRANTY (PARTS ONLY - LABOR NOT INCLUDED)

For the first five years from the original date of purchase, when this commercial appliance is installed, maintained, and operated according to the instructions attached to or furnished with the product, Maytag brand of Whirlpool Corporation (hereafter "Maytag") will pay for factory specified replacement parts to correct defects in materials or workmanship that existed when this commercial appliance was purchased. This limited warranty does not include labor.

YOUR SOLE AND EXCLUSIVE REMEDY UNDER THIS LIMITED WARRANTY SHALL BE PRODUCT REPAIR AS PROVIDED HEREIN. Maytag recommends that you use an "in network" service provider to diagnose and repair your Commercial Laundry product. Maytag will not be responsible under this warranty to provide additional replacement parts as a result of incorrect diagnosis or repair by an "out of network" service company. This limited warranty is valid in the United States or Canada and applies only when the commercial appliance is used in the country in which it was purchased. This limited warranty is effective from the date of the original consumer purchase. Proof of original purchase date is required to obtain service under this limited warranty.

ITEMS EXCLUDED FROM WARRANTY

This limited warranty does not cover:

1. All other costs including labor, transportation, shipping, or custom duties for covered parts.
2. Factory specified replacement parts if this commercial appliance is used for other than normal, commercial use or when it is used in a manner that is inconsistent to published user or operator instructions and/or installation instructions.
3. Service calls to correct the installation of your commercial appliance, to instruct you on how to use your commercial appliance, to replace or repair house fuses, or to correct external wiring or plumbing.
4. Damage resulting from improper handling of product during delivery, theft, accident, alteration, misuse, abuse, fire, flood, acts of God, improper installation, installation not in accordance with local electrical or plumbing codes, or use of products not approved by Maytag.
5. Pick up and delivery. This commercial appliance is designed to be repaired on location.
6. Repairs to parts or systems resulting from unauthorized modifications made to the commercial appliance.
7. The removal and reinstallation of your commercial appliance if it is installed in an inaccessible location or is not installed in accordance with published installation instructions.
8. Damage resulting from exposure to chemicals.
9. Changes to the building, room, or location needed in order to make the commercial appliance operate correctly.
10. Factory specified replacement parts on commercial appliances with original model/serial numbers that have been removed, altered, or cannot be easily determined.
11. Discoloration, rust, or oxidation of stainless steel surfaces.
12. Factory specified replacement parts as a result of incorrect diagnosis or repair by an "out of network" service company.

The cost of repair or replacement under these excluded circumstances shall be borne by the customer.

DISCLAIMER OF IMPLIED WARRANTIES

IMPLIED WARRANTIES, INCLUDING ANY IMPLIED WARRANTY OF MERCHANTABILITY OR IMPLIED WARRANTY OF FITNESS FOR A PARTICULAR PURPOSE, ARE LIMITED TO ONE YEAR OR THE SHORTEST PERIOD ALLOWED BY LAW. Some states and provinces do not allow limitations on the duration of implied warranties of merchantability or fitness, so this limitation may not apply to you. This warranty gives you specific legal rights, and you also may have other rights that vary from state to state or province to province.

DISCLAIMER OF REPRESENTATIONS OUTSIDE OF WARRANTY

Maytag makes no representations about the quality, durability, or need for service or repair of this commercial appliance other than the representations contained in this Warranty. If you want a longer or more comprehensive warranty than the limited warranty that comes with this commercial appliance, you should ask Maytag or your retailer about buying an extended warranty.

LIMITATION OF REMEDIES; EXCLUSION OF INCIDENTAL AND CONSEQUENTIAL DAMAGES

YOUR SOLE AND EXCLUSIVE REMEDY UNDER THIS LIMITED WARRANTY SHALL BE PRODUCT REPAIR AS PROVIDED HEREIN. MAYTAG SHALL NOT BE LIABLE FOR INCIDENTAL OR CONSEQUENTIAL DAMAGES. Some states and provinces do not allow the exclusion or limitation of incidental or consequential damages, so these limitations and exclusions may not apply to you. This warranty gives you specific legal rights, and you also may have other rights that vary from state to state or province to province.

If you need service, please contact your authorized Maytag Commercial Laundry® distributor. To locate your authorized Maytag Commercial Laundry® distributor, call 1-800-662-3587, or for web inquiries, visit www.MaytagCommercialLaundry.com.

02/14

For written correspondence:

Maytag Commercial Laundry® Service Department
2000 N M 63
Benton Harbor, Michigan 49022-2632 USA

SÉCURITÉ DE LA LAVEUSE

Votre sécurité et celle des autres est très importante.

Nous donnons de nombreux messages de sécurité importants dans ce manuel et sur votre appareil ménager. Assurez-vous de toujours lire tous les messages de sécurité et de vous y conformer.



Voici le symbole d'alerte de sécurité.

Ce symbole d'alerte de sécurité vous signale les dangers potentiels de décès et de blessures graves à vous et à d'autres.

Tous les messages de sécurité suivront le symbole d'alerte de sécurité et le mot "DANGER" ou "AVERTISSEMENT". Ces mots signifient :

 **DANGER**

Risque possible de décès ou de blessure grave si vous ne suivez pas immédiatement les instructions.

 **AVERTISSEMENT**

Risque possible de décès ou de blessure grave si vous ne suivez pas les instructions.

Tous les messages de sécurité vous diront quel est le danger potentiel et vous disent comment réduire le risque de blessure et ce qui peut se produire en cas de non-respect des instructions.

IMPORTANTES INSTRUCTIONS DE SÉCURITÉ

AVERTISSEMENT : Pour réduire les risques d'incendie, de choc électrique ou de blessures lors de l'utilisation de la laveuse, suivre les précautions fondamentales dont les suivantes :

- Lire toutes les instructions avant d'utiliser la laveuse.
- Ne pas laver des articles qui ont été nettoyés ou lavés avec de l'essence ou imbibés d'essence, solvants de nettoyage à sec, ou autres substances inflammables ou explosives; ces substances peuvent émettre des vapeurs susceptibles de s'enflammer ou d'exploser.
- Ne pas ajouter d'essence, solvant de nettoyage à sec ou autre produit inflammable ou explosif dans l'eau de lavage. Ces substances peuvent émettre des vapeurs susceptibles de s'enflammer ou d'exploser.
- Dans certaines conditions, de l'hydrogène gazeux peut se former dans un circuit d'eau chaude qui n'a pas été utilisé pendant 2 semaines ou plus. LE GAZ HYDROGÈNE EST EXPLOSIBLE. Si le circuit d'eau chaude n'a pas été utilisé pendant une telle période, avant d'utiliser la laveuse, ouvrir tous les robinets d'eau chaude et laisser l'eau s'écouler pendant plusieurs minutes par chaque robinet. Ceci permettra l'évacuation de l'hydrogène gazeux accumulé. Comme ce gaz est inflammable, ne pas fumer ou utiliser une flamme nue au cours de cette période.
- Ne pas laisser des enfants jouer sur ou à l'intérieur de la laveuse. Bien surveiller les enfants lorsque la laveuse est utilisée à proximité d'enfants.
- Avant de mettre la laveuse au rebut ou hors de service, enlever la porte ou le couvercle.
- Ne pas tenter d'atteindre un article à l'intérieur de la cuve de la laveuse lorsque le tambour, la cuve ou l'agitateur est en mouvement.
- Ne pas installer ou remiser cette laveuse à un endroit où elle serait exposée aux intempéries.
- Ne pas modifier les organes de commande.
- Ne pas réparer ou remplacer un composant quelconque de la laveuse, ni entreprendre une opération de service, si ce n'est spécifiquement recommandé dans ce manuel ou dans un manuel d'instructions de réparations destiné à l'utilisateur; il est alors essentiel que la personne concernée comprenne ces instructions et soit compétente pour les exécuter.
- Pour les instructions de liaison à la terre, voir "Spécifications électriques" dans les instructions d'installation.

CONSERVEZ CES INSTRUCTIONS

Avertissements de la proposition 65 de l'État de Californie :

AVERTISSEMENT : Ce produit contient au moins un produit chimique connu par l'État de Californie pour être à l'origine de cancers.

AVERTISSEMENT : Ce produit contient au moins un produit chimique connu par l'État de Californie pour être à l'origine de malformations et autres déficiences de naissance.

EXIGENCES D'INSTALLATION

Outillage et pièces

Rassembler les outils et pièces nécessaires avant de commencer l'installation. Les pièces fournies se trouvent dans le tambour de la laveuse.

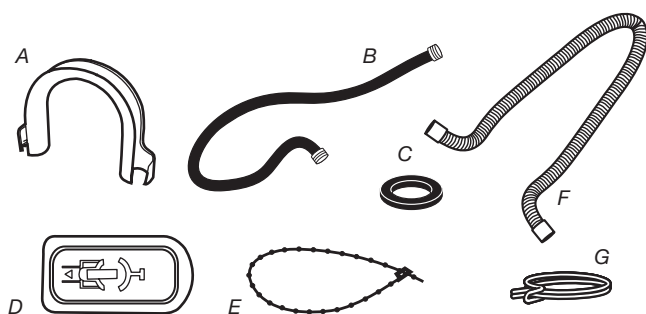
Outils nécessaires au raccordement des tuyaux d'arrivée d'eau

- Pince (ouverture jusqu'à 1 1/16" [39,5 mm])
- Lampe de poche (facultative)

Outils nécessaires à l'installation

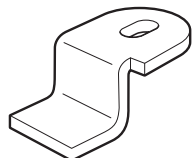
- Clés plates de 1/2" et 9/16"
- Tournevis de sécurité Torx T-20†
- Tourne-écrou de 1/4"
- Niveau
- Cale en bois
- Règle ou mètre ruban

Pièces fournies



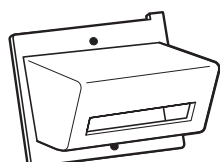
- A. Bride de retenue pour tuyau de vidange (en forme de U)
 B. Tuyaux d'arrivée d'eau (2)
 C. Rondelles pour tuyau d'arrivée d'eau (4)
 D. Bouchons pour les trous des boulons de transport (4)
 E. Attache de fixation amovible
 F. Tuyau de vidange
 G. Bride de tuyau

Pièces fournies pour les modèles PD :



Came de verrouillage de la porte de service

Pièces fournies pour les modèles PR :



Biseau de lecteur de carte



Vis (2)

Autres pièces

Il se peut que l'installation nécessite des pièces supplémentaires. Pour acheter l'un des articles indiqués ici, composer le numéro sans frais indiqué à la section "Assistance ou service".

Si vous avez	Vous devrez acheter
Évier de buanderie ou tuyau rigide de rejet à l'égout plus haut que 96" (2,4 m)	Système de pompe de puisard (si non déjà disponible)
Égout surélevé	Évier de vidange standard de 20 gal. (76 L) de 30" (762 mm) de hauteur ou évier utilitaire et pompe de puisard (disponibles chez votre fournisseur local d'articles de plomberie)
Égout au plancher	Brise-siphon, pièce n° 285834; tuyau de vidange additionnel, pièce n° 8318155; et ensemble de connexion, pièce n° 285835
Tuyau de vidange trop court	Trousse de rallonge du tuyau de vidange de 4 pi (1,2 m), pièce n° 285863
Robinets d'eau hors d'atteinte des tuyaux d'admission	2 tuyaux d'admission d'eau plus longs : 6 pi (1,8 m), pièce n° 76314 10 pi (3,0 m), pièce n° 350008

Accessoires

Vous pouvez faciliter l'utilisation de votre laveuse avec ces accessoires de première qualité.

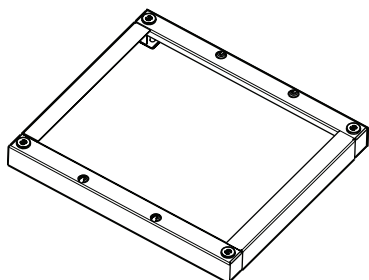
Pour vous informer au sujet des autres articles de qualité ou pour commander, composer le **1-800-807-6777** ou consulter le site Internet **www.maytagparts.ca**.

Numéro de produit	Accessoire
8212526	Plateau d'égouttement de la laveuse, convient à tous les modèles
31682	Produit de nettoyage polyvalent pour appareils ménagers
1903WH	Casier de rangement de fournitures de buanderie

Options

Piédestal

Vous avez la possibilité d'acheter des piédestaux séparément pour cette laveuse. Le piédestal augmentera la hauteur totale de la laveuse.



Piédestal facultatif

Hauteur du piédestal	Hauteur approximative avec laveuse	Couleur	Numéro de modèle
2 ⁷ / ₈ " (73 mm)	47,5" (1207 mm)	Blanc	WHP0400VW

REMARQUE : Certains modèles comportent un piédestal pré-installé.

Exigences d'emplacement

Le choix d'un emplacement approprié pour la laveuse en améliore le rendement et réduit au minimum le bruit et le "déplacement" possible de la laveuse.

La laveuse peut être installée sous un comptoir personnalisé, dans un sous-sol, une salle de buanderie ou un encastrement. Voir "Système de vidange".

Il faut aussi prendre en compte les exigences d'emplacement des appareils voisins. C'est à l'utilisateur qu'incombe la responsabilité de réaliser une installation correcte.

Il vous faudra

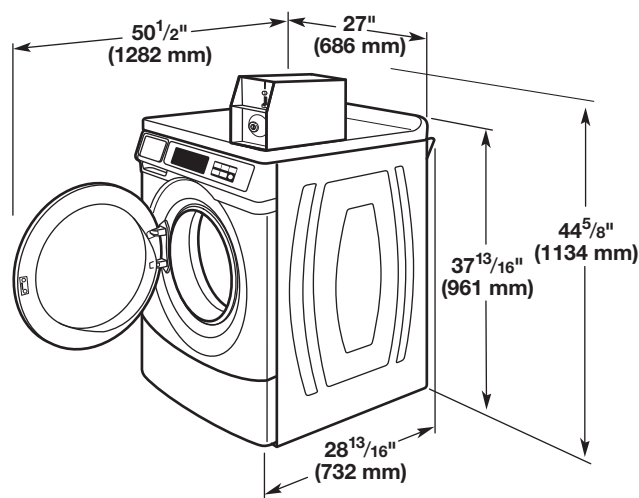
- Un chauffe-eau configuré pour fournir de l'eau à 120°F (49°C) à la laveuse.
- Une prise électrique reliée à la terre située à moins de 6 pi (1,8 m) du cordon d'alimentation électrique fixé à l'arrière à la laveuse. Voir "Spécifications électriques".
- Des robinets d'eau chaude et d'eau froide situés à moins de 4 pi (1,2 m) des robinets d'admission d'eau chaude et d'eau froide et une pression d'eau de 20–100 lb/po² (137,9–689,6 kPa).
- Un plancher de niveau ayant une pente maximale de 1" (25 mm) sous l'ensemble de la laveuse. L'installation de la laveuse sur des surfaces de sol molles telles qu'un tapis ou des surfaces avec sous-couche en mousse n'est pas recommandée.
- Un plancher robuste et solide capable de soutenir le poids total de la laveuse (eau et charge) de 400 lb (180 kg).

Ne pas faire fonctionner la laveuse à des températures inférieures à 32°F (0°C). Une quantité d'eau peut demeurer dans la laveuse et causer des dommages à des températures basses.

Dégagements de séparation à respecter

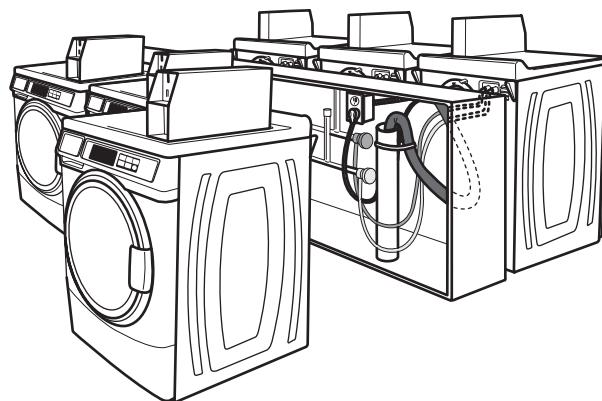
- L'emplacement doit être assez grand pour permettre d'ouvrir complètement la porte de la laveuse.
- Prévoir davantage d'espace pour faciliter l'installation et l'entretien. La porte s'ouvre à plus de 90° et n'est pas réversible.
- Un espace supplémentaire peut être requis pour les moulures de porte et de plancher et pour les plinthes.
- Un espace supplémentaire de 1" (25 mm) de tous les côtés de la laveuse est recommandé pour réduire le transfert du bruit.
- Il faut aussi prendre en compte l'espace requis entre les appareils voisins.

Dimensions de la laveuse



La porte n'est pas réversible.

Un système de vidange au plancher doit être installé sous la cloison. Des cloisons pré-fabriquées avec prises de courant, canalisations d'arrivée d'eau, et aménagements pour installation de vidange ne doivent être installés que là où les codes locaux l'autorisent.



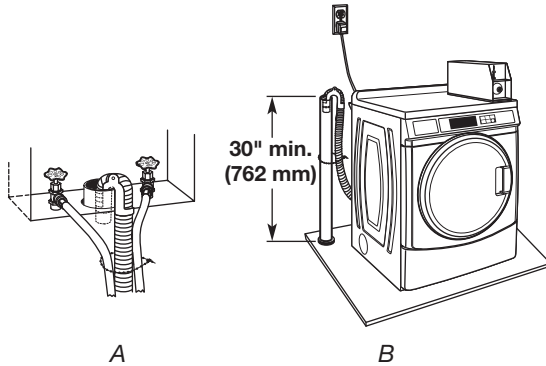
Système de vidange

La laveuse peut être installée en utilisant le système de rejet à l'égout (au plancher ou mural), le système de vidange de l'évier de buanderie ou le système de vidange au plancher. Sélectionner la méthode d'installation du tuyau de vidange selon les besoins. Voir "Outillage et pièces".

Système de vidange avec tuyau de rejet à l'égout – mural ou au plancher (vues A et B)

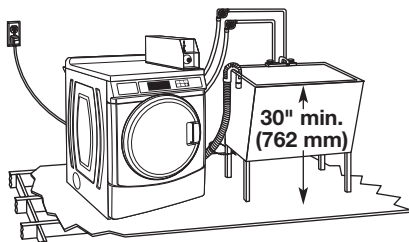
Le système de rejet à l'égout nécessite un tuyau rigide d'un diamètre minimum de 2" (50 mm). La capacité minimale d'acheminement ne doit pas être inférieure à 10 gal. (38 L) par minute et par laveuse.

Le sommet du tuyau rigide de rejet à l'égout doit être au moins à 30" (762 mm) de hauteur et au maximum à 96" (2,4 m) de la base de la laveuse.



Système de vidange avec évier de buanderie

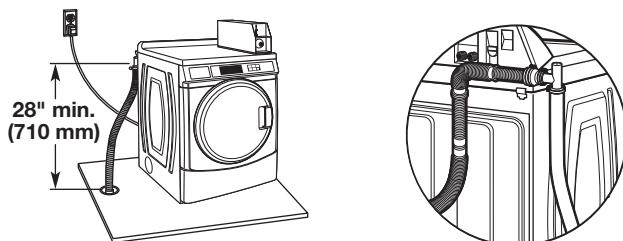
L'évier de buanderie doit avoir une capacité minimale de 20 gal. (76 L). La partie supérieure de l'évier de buanderie doit être à au moins 30" (762 mm) au-dessus du plancher.



Système de vidange au plancher

Le système de vidange au plancher nécessite un brise-siphon qui peut être acheté séparément. Voir "Outillage et pièces".

Le brise-siphon doit être au moins à 28" (710 mm) de la base de la laveuse. Des tuyaux supplémentaires peuvent être requis.



Spécifications électriques

⚠ AVERTISSEMENT



Risque de choc électrique

Brancher sur une prise à 3 alvéoles reliée à la terre.

Ne pas enlever la broche de liaison à la terre.

Ne pas utiliser un adaptateur.

Ne pas utiliser un câble de rallonge.

Le non-respect de ces instructions peut causer un décès, un incendie ou un choc électrique.

- Une alimentation de 120 volts, 60 Hz, CA seulement, de 15 ou 20 ampères, protégée par un fusible est requise. On recommande d'utiliser un fusible ou un disjoncteur temporisé. Il est recommandé de raccorder la laveuse sur un circuit distinct exclusif à cette laveuse.
- Cette laveuse comporte un cordon d'alimentation électrique à trois broches pour liaison à la terre.
- Pour minimiser les risques de choc électrique, on doit brancher le cordon sur une prise de courant de configuration correspondante, à 3 alvéoles, reliée à la terre et installée conformément aux codes et règlements locaux. Si une prise de courant de configuration correspondante n'est pas disponible, le client a la responsabilité et l'obligation de faire installer par un électricien qualifié une prise de courant correctement reliée à la terre.
- Si les codes le permettent et si on utilise un conducteur distinct de liaison à la terre, il est recommandé qu'un électricien qualifié vérifie la qualité de la liaison à la terre.
- Ne pas utiliser une tuyauterie de gaz pour le raccordement à la terre.
- En cas de doute quant à la qualité de la liaison à la terre de la laveuse, consulter un électricien qualifié.
- Ne pas installer un fusible dans le conducteur neutre ou le conducteur de liaison à la terre.

INSTRUCTIONS DE LIAISON À LA TERRE

Pour une laveuse reliée à la terre et connectée par un cordon :

Cette laveuse doit être reliée à la terre. En cas d'anomalie de fonctionnement ou de panne, la liaison à la terre réduira le risque de choc électrique en offrant au courant électrique un itinéraire d'évacuation de moindre résistance. Cette laveuse est alimentée par un cordon électrique comportant un conducteur relié à la terre et une fiche de branchement munie d'une broche de liaison à la terre. La fiche doit être branchée sur une prise de courant appropriée qui est bien installée et reliée à la terre conformément à tous les codes et règlements locaux.

AVERTISSEMENT : Le raccordement incorrect de cet appareil au conducteur de liaison à la terre peut susciter un risque de choc électrique. En cas de doute quant à la qualité de la liaison à la terre de l'appareil, consulter un électricien ou technicien d'entretien qualifié.

Ne pas modifier la fiche de branchement fournie avec l'appareil – si la fiche ne correspond pas à la configuration de la prise de courant, demander à un électricien qualifié d'installer une prise de courant convenable.

Pour une laveuse raccordée en permanence :

Cette laveuse doit être raccordée à un système de câblage permanent en métal relié à la terre ou un conducteur relié à la terre doit être en fonction avec les conducteurs de circuit et raccordés à la borne de liaison à la terre ou la borne sur l'appareil ménager.

INSTRUCTIONS D'INSTALLATION

Dépose du système de transport

⚠ AVERTISSEMENT

Risque du poids excessif

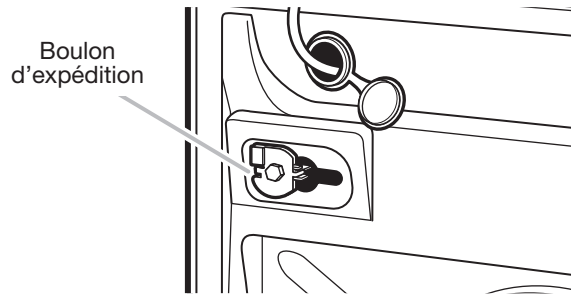
Utiliser deux ou plus de personnes pour déplacer et installer la laveuse.

Le non-respect de cette instruction peut causer une blessure au dos ou d'autre blessure.

IMPORTANT : Positionner la laveuse de sorte que l'arrière de la laveuse soit à environ 3 pi (900 mm) de son emplacement final.

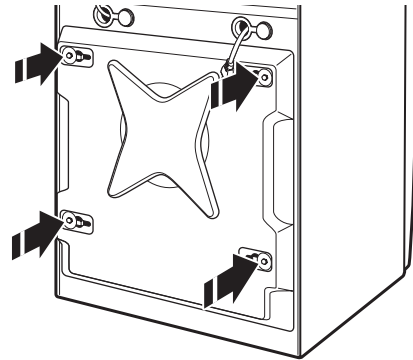
On trouve sur le panneau arrière de la laveuse 4 boulons d'expédition qui soutiennent le système de suspension durant le transport. Ces boulons retiennent aussi le cordon d'alimentation électrique à l'intérieur de la laveuse jusqu'à ce que les boulons soient retirés.

1. Laisser la laveuse en position verticale pendant que l'on ôte les boulons d'expédition.

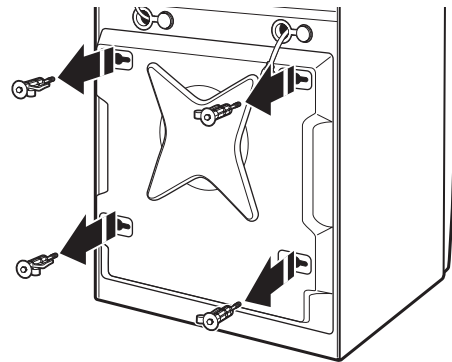


Boulon d'expédition avec cale d'espacement en plastique

2. Au moyen d'une clé de 1/2", desserrer chacun des boulons.



3. Une fois le boulon desserré, le déplacer au centre du trou et retirer complètement le boulon, y compris la cale d'espacement en plastique couvrant le boulon.



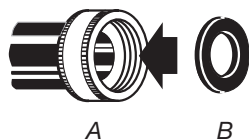
4. Une fois que les 4 boulons ont été retirés, jeter les boulons et les cales d'espacement. Puis pousser la fiche du cordon d'alimentation électrique à travers l'ouverture sur le côté droit du panneau arrière, tirer le cordon d'alimentation électrique à travers l'ouverture sur le côté gauche du panneau arrière et obturer les trous avec le bouchon fourni. Ne pas tirer l'extrémité du cordon d'alimentation à travers le trou de droit.

5. Obturer les trous des boulons avec les 4 bouchons d'obturation des boulons de transport.

REMARQUE : Si la laveuse doit être transportée à une date ultérieure, appeler le distributeur ou l'installateur du produit. Pour éviter des dommages concernant la suspension et la structure, votre laveuse doit être correctement montée pour réinstallation ultérieure par un technicien certifié.

Raccordement des tuyaux d'alimentation

Insérer les rondelles plates neuves (fournies) dans chaque extrémité des tuyaux d'arrivée d'eau. Insérer fermement les rondelles dans les raccords.

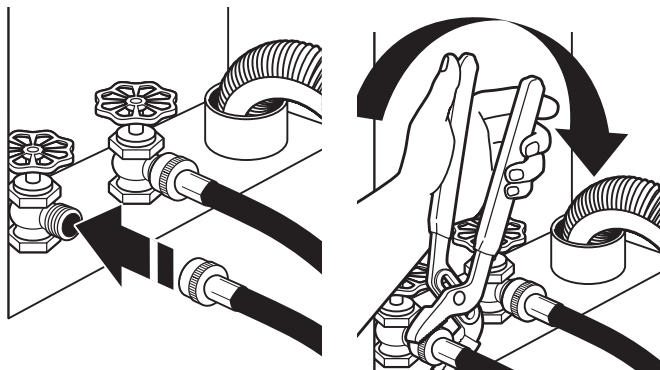


A. Raccord
B. Rondelle

Connecter les tuyaux d'arrivée d'eau aux robinets d'eau

S'assurer que le tambour de la laveuse est vide.

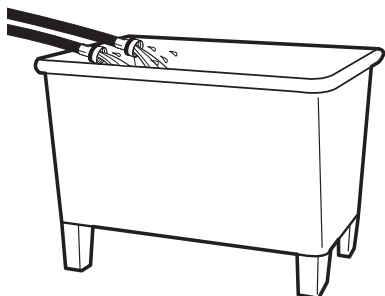
1. Fixer un tuyau au robinet d'eau chaude. Visser complètement le raccord à la main pour qu'il comprime le joint.
2. Fixer un tuyau au robinet d'eau froide. Visser complètement le raccord à la main pour qu'il comprime le joint.
3. À l'aide d'une pince, serrer les raccords en effectuant deux tiers de tour supplémentaires.



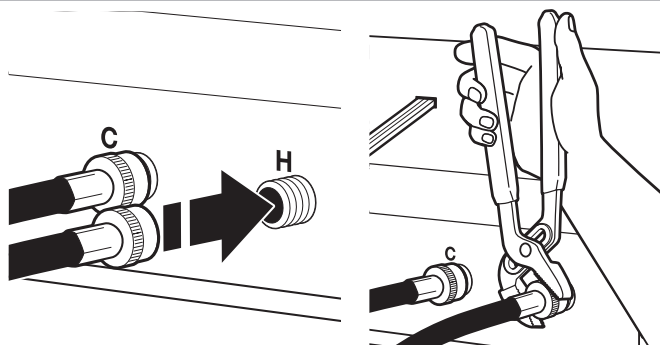
REMARQUE : Ne pas serrer excessivement ou utiliser du ruban adhésif ou un calfeutrant sur la valve. Les valves risquent d'être endommagées.

Purger les canalisations d'eau

- Laisser s'écouler l'eau des deux robinets et des tuyaux d'alimentation dans un évier de buanderie, un tuyau rigide de rejet à l'égout ou un seau, pour éliminer les particules se trouvant dans les canalisations d'eau qui pourraient obstruer les tamis de la valve d'arrivée d'eau.
- Vérifier la température de l'eau pour s'assurer que le tuyau d'eau chaude est connecté au robinet d'eau chaude et que le tuyau d'eau froide est connecté au robinet d'eau froide.

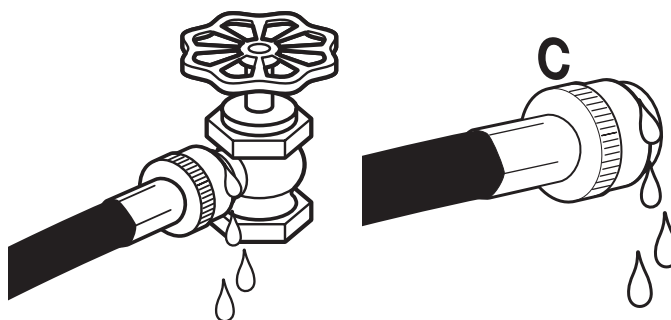


Connecter les tuyaux d'arrivée d'eau à la laveuse



C. Tuyau d'arrivée d'eau froide
H. Tuyau d'arrivée d'eau chaude

1. Fixer le tuyau d'eau chaude à la valve du tuyau d'arrivée d'eau chaude (H) de la laveuse. Visser complètement le raccord à la main pour qu'il comprime le joint.
2. Fixer le tuyau d'eau froide au robinet d'eau froide (C) de la laveuse. Visser complètement le raccord à la main pour qu'il comprime le joint.
3. À l'aide d'une pince, serrer les raccords en effectuant deux tiers de tour supplémentaires.
REMARQUE : Ne pas serrer excessivement. Le raccord risque d'être endommagé.
4. Ouvrir les robinets d'eau complètement et vérifier s'il y a des fuites.



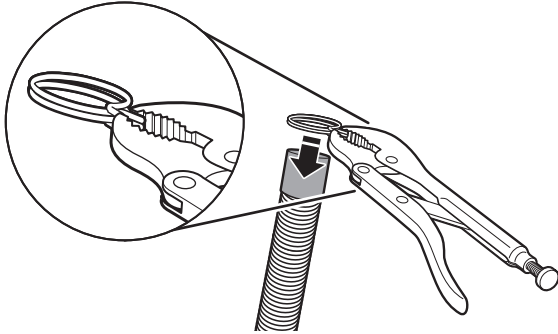
REMARQUE : Remplacer les tuyaux d'arrivée d'eau après 5 ans d'utilisation pour réduire le risque de défaillance. Prendre note de la date d'installation ou de remplacement des tuyaux, pour référence ultérieure.

Inspecter périodiquement les tuyaux; les remplacer en cas de renflement, de déformation, de coupure, d'usure ou si une fuite se manifeste.

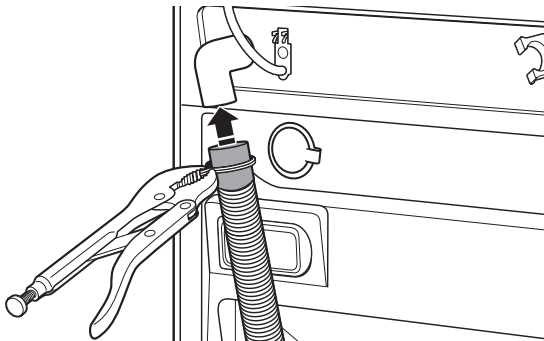
Raccordement du tuyau de vidange

Libération du tuyau de vidange fixé sur le tambour de la laveuse

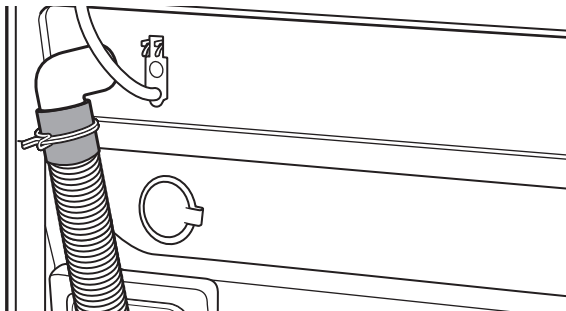
1. À l'aide d'une pince multiprise, serrer les deux onglets de la bride de tuyau et insérer la bride sur l'extrémité du tuyau de vidange.



2. Faire glisser le tuyau de vidange sur le raccord de la laveuse.



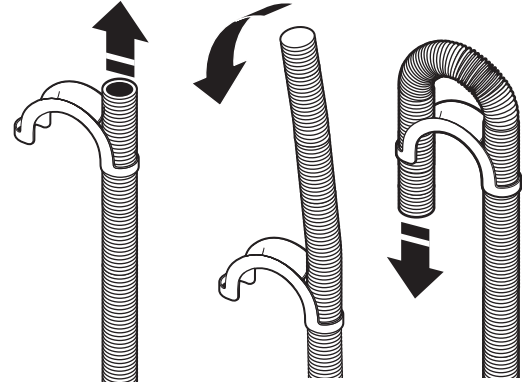
3. Une fois le tuyau de vidange en place, relâcher la prise de la pince.



Le système de vidange de la laveuse peut être installé à l'aide d'un conduit d'évacuation au plancher, un tuyau de rejet à l'égout rigide au mur ou au plancher ou un évier de buanderie.

Décharge de l'eau de lavage dans un évier de buanderie ou tuyau de rejet à l'égout

Connecter la bride de retenue pour tuyau de vidange sur le tuyau de vidange ondulé.



Pour empêcher l'eau de vidange de refluer dans la laveuse :

- Utiliser la bride de retenue et ne pas forcer l'excédent de tuyau dans le tuyau de rejet à l'égout. Le tuyau doit être bien immobilisé, tout en permettant le passage d'air.
- Ne pas mettre l'excédent du tuyau de vidange dans l'évier de buanderie.

Égout au plancher

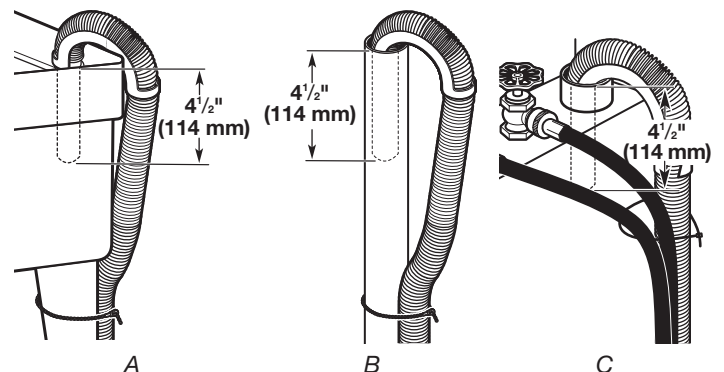
Il vous faudra peut-être des pièces supplémentaires. Voir Égout au plancher dans "Outillage et pièces".

Immobilisation du tuyau de vidange

Le tuyau de vidange doit être bien installé pour empêcher le tuyau de bouger lorsque l'eau est pompée pour la vidange. Si le tuyau de vidange bouge, de l'eau peut couler sur le plancher.

Il incombe à l'installateur d'installer et fixer solidement le tuyau de vidange à la canalisation d'évacuation de manière que le tuyau de vidange ne puisse sortir et causer d'éventuelles fuites de la canalisation d'évacuation.

1. Faire passer le cordon d'alimentation par-dessus la laveuse.
2. Déplacer la laveuse à son emplacement final.
3. Placer le tuyau de vidange dans l'évier de buanderie ou le tuyau de rejet à l'égout. Voir les illustrations A, B et C.



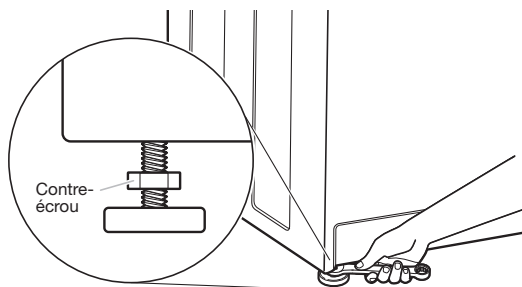
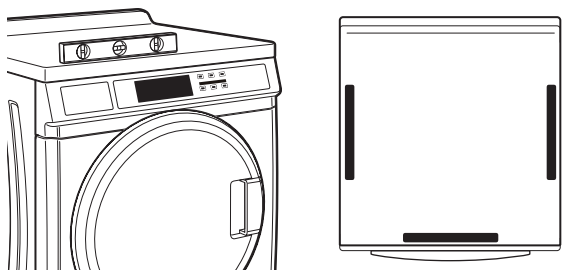
REMARQUES :

- Ne pas forcer l'excédent de tuyau de vidange dans l'arrière de la laveuse.
- Pour éviter un effet de siphon, ne pas assurer l'étanchéité ou introduire plus de 4 1/2'' (114 mm) à la jonction entre le tuyau de vidange et le tuyau de rejet à l'égout rigide ou le tuyau d'évacuation.

Réglage de l'aplomb de la laveuse

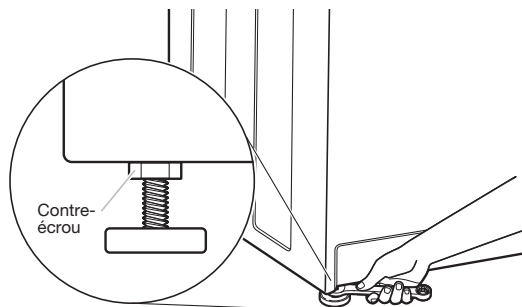
Un bon aplomb de la laveuse évite le bruit et les vibrations excessifs.

1. Placer un niveau sur le bord supérieur de la laveuse pour contrôler l'aplomb, d'abord transversalement, puis dans le sens avant arrière.



Si la laveuse est placée contre un mur, on doit l'écartier légèrement du mur avant de l'incliner vers l'arrière. Si la laveuse n'est pas d'aplomb, soulever l'avant de la laveuse avec une cale de bois et ajuster la position des pieds selon le besoin; soulever ensuite l'arrière de la laveuse et ajuster la longueur des pieds selon le besoin. Répéter ces opérations jusqu'à l'obtention d'un aplomb correct de la laveuse.

2. Vérifier que les quatre pieds sont stables et reposent sur le sol. Vérifier ensuite que la laveuse est parfaitement d'aplomb (utiliser un niveau).
3. Après avoir établi l'aplomb correct de la laveuse, utiliser une clé plate de $\frac{9}{16}$ " pour serrer fermement l'écrou de chaque pied contre la caisse de la laveuse.



IMPORTANT : Les 4 pieds doivent être bien serrés. Si les écrous ne sont pas bloqués contre la caisse de la laveuse, la laveuse peut vibrer.

4. La laveuse ne doit pas bouger d'avant en arrière, latéralement ou transversalement lorsqu'on appuie sur les bords supérieurs.
5. Faire glisser la laveuse à son emplacement final.
6. Vérifier le bon aplomb de la laveuse.

Achever l'installation

1. Consulter les spécifications électriques. Vérifier que la tension électrique disponible est correcte et que la méthode de mise à la terre recommandée a été suivie. Voir "Spécifications électriques".
2. Vérifier que toutes les pièces sont maintenant installées. S'il reste une pièce, passer en revue les différentes étapes pour découvrir laquelle aurait été oubliée.
3. S'assurer d'avoir récupéré tous vos outils.
4. Jeter ou recycler tous les matériaux d'emballage.
5. Vérifier que chaque robinet d'eau est ouvert.
6. Vérifier s'il y a des fuites autour des robinets et des tuyaux d'arrivée d'eau.

! AVERTISSEMENT



Risque de choc électrique

Brancher sur une prise à 3 alvéoles reliée à la terre.

Ne pas enlever la broche de liaison à la terre.

Ne pas utiliser un adaptateur.

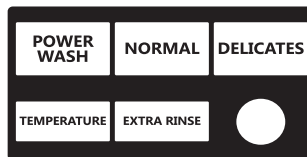
Ne pas utiliser un câble de rallonge.

Le non-respect de ces instructions peut causer un décès, un incendie ou un choc électrique.

7. Brancher sur une prise à 3 alvéoles reliée à la terre.
8. Pour tester le fonctionnement de la laveuse ou effectuer le nettoyage, mesurer la moitié de la quantité de détergent HE haute efficacité recommandée par le fabricant pour une charge de taille moyenne. Verser le détergent dans le distributeur de détergent. Sélectionner n'importe quel programme et laisser la laveuse exécuter un programme complet.



INSTRUCTIONS D'UTILISATION ET D'INSTALLATION



REMARQUES : Après l'installation initiale et le branchement de la laveuse, l'affichage peut indiquer '0 MINUTES'. Après le branchement de la laveuse et l'ouverture puis la fermeture de la porte, l'affichage présente le prix. Si la laveuse est réglée pour l'utilisation gratuite, 'SELECT CYCLE' (sélectionner le programme) clignote sur l'affichage.

1. Modèles PD : Insérer des pièces jusqu'à ce que 'SELECT CYCLE' (sélectionner le programme) clignote sur l'affichage.
Modèles PR : Une carte de débit est exigée à la place des pièces. Au mode Débit avancé, le solde restant sur la carte s'affiche lorsqu'une carte de débit est insérée dans le lecteur.
2. La porte doit rester fermée avant la sélection du programme.
3. Appuyer sur la touche de réglage du tissu pour le programme de lavage désiré. Après la mise en marche du programme, l'heure s'affichera et le compte à rebours commencera.
4. Quand un programme est interrompu durant l'ouverture de la porte, 'RESELECT CYCLE' (sélectionner à nouveau le programme) clignotera sur l'affichage. Pour remettre la laveuse en marche, fermer la porte et sélectionner à nouveau le programme désiré.

Informations générales

DÉFILEMENT DE 'OUT OF ORDER' (HORS SERVICE) SUR L'AFFICHEUR

Cette situation indique que la laveuse n'est pas opérationnelle.

AFFICHAGE DE '0 MINUTES'

Ceci indique qu'il n'est pas possible de faire fonctionner la laveuse. L'information sur les pièces insérées ou les entrées de débit sera mémorisée mais ne peut être utilisée avant le rétablissement du fonctionnement normal par une manœuvre d'ouverture/fermeture de la porte. En cas de défaillance du contacteur de porte, on doit le remplacer pour pouvoir rétablir le fonctionnement normal.

COLD START (Mise en marche à froid) (pour la première utilisation)

La laveuse a été programmée à l'usine comme suit :

- Période de lavage de 11 minutes
- 3 rinçages (rinçage supplémentaire non activé)
- Prix de lavage de 1,75 \$ (modèles PD)
- Prix de lavage de 0,00 \$ (modèles PR)

WARM START (Remise en marche) (après une interruption de l'alimentation)

Quelques secondes après le rétablissement de l'alimentation électrique, si un programme était en cours au moment de la panne, 'RESELECT CYCLE' (sélectionner à nouveau le programme) clignote sur l'afficheur, pour indiquer qu'il faut appuyer sur une touche pour remettre la laveuse en marche.

DOOR LOCK (Verrouillage de la porte)

Avant qu'un programme ne démarre, une procédure de verrouillage de porte avec étapes de verrouillage/déverrouillage/verrouillage à nouveau se déclenche, puis le programme commence. La porte restera verrouillée jusqu'à la fin du programme ou pendant environ 2 minutes après une interruption d'alimentation.

PRICING (Prix de l'utilisation)

Une fois la porte ouverte suite à un programme, l'affichage indique le prix du programme (à moins de réglage gratuit). Au fur et à mesure que les pièces sont insérées ou que les entrées de carte de débit arrivent, l'affichage indiquera les étapes à suivre par l'utilisateur pour lancer un programme.

PROGRAMMES GRATUITS

Pour ceci, on règle le prix de l'utilisation à zéro; l'affichage présente alors 'SELECT CYCLE' (sélectionner le programme) plutôt que le prix d'une utilisation.

PRÊT POUR CARTE DE DÉBIT

Cette laveuse est pré-configurée pour l'utilisation des cartes de débit; il est compatible avec une variété de systèmes de paiement par carte de débit, mais il n'est PAS fourni avec un lecteur de carte de débit. Pour le réglage approprié de la laveuse; voir les instructions fournies par le fabricant du lecteur de carte de débit. Pour un modèle converti pour l'utilisation d'une carte de débit Génération 1, les impulsions de débit sont équivalentes à l'insertion d'une pièce (pièce 1).

Procédures de réglage des systèmes de commande

IMPORTANT : Lire la totalité des instructions avant l'utilisation.

Modèles PD : Insérer la clé de la porte d'accès; tourner et soulever pour enlever la porte d'accès.

Modèles PR : Une fois le lecteur de carte de débit installé (conformément aux instructions du fabricant du lecteur), on peut entrer au mode de paramétrage uniquement en insérant une carte de paramétrage (fournie par le fabricant du lecteur) dans la fente d'insertion de carte. Si l'on ne dispose pas de carte de paramétrage, on peut accéder aux modes de diagnostic en retirant le connecteur AA1 sur la carte de circuits ou utiliser le code d'accès pour entretien (voir la section Code d'accès pour entretien, page 30) pour les modèles PR configurés comme les PN.

Pour le réglage des systèmes de commande, on utilise les touches de réglage inférieures (tissu) et l'affichage numérique.

L'affichage peut présenter 4 chiffres et/ou lettres et un point décimal, qui indiquent les codes de paramétrage et des valeurs connexes disponibles pour la programmation de la laveuse.

UTILISATION DES TOUCHES POUR LA PROGRAMMATION DES SYSTÈMES DE COMMANDE

1. La touche POWER WASH (lavage haute puissance) – SUPÉRIEURE GAUCHE est utilisée pour régler les valeurs associées aux codes de paramétrage. En appuyant sur la touche augmentera la valeur. Un réglage rapide est possible en maintenant la touche enfoncée.
2. La touche TEMPERATURE – INFÉRIEURE GAUCHE est utilisée pour régler les valeurs associées aux codes de paramétrage. En appuyant sur la touche diminuera la valeur. Un réglage rapide est possible en maintenant la touche enfoncée.
3. La touche EXTRA RINSE (rinçage supplémentaire) – INFÉRIEURE CENTRALE fait défiler les codes de paramétrage. Le code de paramétrage disponible suivant est atteint en appuyant sur cette touche. Pour passer aux codes de paramétrage suivants à un rythme d'un (1) par seconde, maintenir la touche enfoncée.
4. La touche DELICATES (articles délicats) – SUPÉRIEURE DROITE sélectionne les options ou les annule.

Paramétrage pour mise en marche

Avant de poursuivre, il convient de noter que malgré toutes les options disponibles, une personne peut simplement choisir de débarrer une laveuse commerciale neuve, la brancher et disposer d'une laveuse fonctionnelle.

Les laveuses sont préréglées à l'usine pour une période de lavage de 11 minutes et pour 3 rinçages (aucun rinçage supplémentaire).

CODES DE PARAMÉTRAGE

- La touche EXTRA RINSE (rinçage supplémentaire) – INFÉRIEURE CENTRALE permet de passer d'un code à un autre.
- La touche TEMPERATURE (température) – INFÉRIEURE GAUCHE et la touche POWER WASH (lavage haute puissance) – SUPÉRIEURE GAUCHE permettent de changer de valeur de code.
- La touche DELICATES (articles délicats) – SUPÉRIEURE DROITE permet de sélectionner/désélectionner les options.

MODÈLES PR : Les codes de paramétrage sont les mêmes que pour le modèle "PD", sauf indication contraire.

Le code de paramétrage est indiqué par le ou les deux caractères sur la gauche. La valeur du code de paramétrage est indiquée par les deux ou trois caractères sur la droite.

CODE	EXPLICATION
6 07	PRIX RÉGULIER AU PROGRAMME NORMAL NORMAL (valeur par défaut définie en usine)
6 07	Représente le nombre de pièces de 0,25 \$ (pièce 1) ; réglable de 0 à 200 (voir VALEUR DE LA PIÈCE 1). Augmenter de 0 à 200 en appuyant sur la touche SUPÉRIEURE GAUCHE et diminuer en appuyant sur la touche INFÉRIEURE GAUCHE. Valeur par défaut définie en usine sur 7 pièces de 0,25 \$ = 1,75 \$.
6 00	MODÈLES PR SEULEMENT : Conguré à l'usine pour 0 pièce de 0,25 \$.
	6 01 représente une manoeuvre de la glissière à pièces de monnaie.
→	Appuyer une fois sur la touche INFÉRIEURE CENTRALE pour passer au code suivant.
6 07	PRIX RÉGULIER AU PROGRAMME ARTICLES DÉLICATS (valeur par défaut définie en usine)
	DELICATES (Articles délicats)
6 07	Représente le nombre de pièces de 0,25 \$ (pièce 1) ; réglable de 0 à 200 (voir VALEUR DE LA PIÈCE 1). Augmenter de 0 à 200 en appuyant sur la touche SUPÉRIEURE GAUCHE et diminuer en appuyant sur la touche INFÉRIEURE GAUCHE. Valeur par défaut définie en usine sur 7 pièces de 0,25 \$ = 1,75 \$.
6 00	MODÈLES PR SEULEMENT : Conguré à l'usine pour 0 pièce de 0,25 \$.
	6 01 représente une manoeuvre de la glissière à pièces de monnaie.
→	Appuyer une fois sur la touche INFÉRIEURE CENTRALE pour passer au code suivant.
6 07	PRIX RÉGULIER AU PROGRAMME LAVAGE HAUTE PUISSANCE (valeur par défaut définie en usine)
	POWER WASH (lavage haute puissance)
6 07	Représente le nombre de pièces de 0,25 \$ (pièce 1) ; réglable de 0 à 200 (voir VALEUR DE LA PIÈCE 1). Augmenter de 0 à 200 en appuyant sur la touche SUPÉRIEURE GAUCHE et diminuer en appuyant sur la touche INFÉRIEURE GAUCHE. Valeur par défaut définie en usine sur 7 pièces de 0,25 \$ = 1,75 \$.
6 00	MODÈLES PR UNIQUEMENT : Valeur par défaut définie en usine sur 0 pièce.
	6 01 représente une manoeuvre de la glissière à pièces de monnaie.
→	Appuyer une fois sur la touche INFÉRIEURE CENTRALE pour passer au code suivant.

CODE	EXPLICATION
7 11	DURÉE DU LAVAGE
7 11	Nombre de minutes de la période de LAVAGE. La laveuse est préréglée à l'usine pour 11 minutes. Sélectionner une valeur de 9–17 minutes : appuyer sur la touche INFÉRIEURE GAUCHE.
→	Appuyer une fois sur la touche INFÉRIEURE CENTRALE pour passer au code suivant.
8 00	OPTION DE RINÇAGE SUPPLÉMENTAIRE/ POUR QUITTER LE MODE DE SERVICE
	REMARQUE : Ceci n'affecte que les programmes NORMAL et DELICATES. L'option de rinçage supplémentaire est toujours activée pour POWERWASH.
8 00	L'option de rinçage supplémentaire pas sélectionnée ('OFF').
	Utiliser ce champ pour quitter du mode d'entretien après un accès à l'aide des touches.
	Appuyer sans relâcher la touche INFÉRIEURE GAUCHE pour quitter le mode Service.
8 Ar	L'option de rinçage supplémentaire sélectionnée ('ON').
	Utiliser ce champ pour quitter du mode d'entretien après un accès à l'aide des touches.
	Appuyer sans relâcher la touche INFÉRIEURE GAUCHE pour quitter le mode Service.
→	Appuyer une fois sur la touche INFÉRIEURE CENTRALE pour passer au code suivant.
9 00	OPTION DE COMPTAGE DU NOMBRE DE PROGRAMMES
	Cette option peut être SÉLECTIONNÉE ('ON') ou PAS SÉLECTIONNÉE ('OFF').
9 00	Pas sélectionnée ('OFF').
9 0C	Option sélectionnée ('ON') et impossibilité de désélection.
	Appuyer 3 fois consécutives sur la touche INFÉRIEURE DROITE pour sélectionner 'ON' (active). Lorsque 'ON' a été sélectionné, on ne peut désélectionner l'option.
→	Appuyer une fois sur la touche INFÉRIEURE CENTRALE pour passer au code suivant.
1. 00	OPTION COMPTEUR DE MONNAIE
	Cette option peut être SÉLECTIONNÉE ('ON') ou PAS SÉLECTIONNÉE ('OFF').
1. 00	Pas sélectionnée ('OFF').
1. 0C	Option sélectionnée ('ON').
	Appuyer 3 fois consécutives sur la touche SUPÉRIEURE DROITE pour sélectionner 'ON' (active); appuyer 3 fois sur la touche pour désélectionner l'option. Le compteur passe de 'OFF' (inactive) à 'ON' (active).
1. C0	Option sélectionnée 'ON' et impossibilité de désélection. Pour sélectionner 'ON' avec impossibilité de désélection, sélectionner d'abord 'ON'. Puis en moins de deux secondes appuyer deux fois sur la touche INFÉRIEURE DROITE et une fois sur la touche INFÉRIEURE GAUCHE, et quitter le mode de paramétrage.
→	Appuyer une fois sur la touche INFÉRIEURE CENTRALE pour passer au code suivant.

CODE	EXPLICATION
2. 00	OPTIONS DE PRIX SPÉCIAL Cette option peut être SÉLECTIONNÉE ('ON') ou PAS SÉLECTIONNÉE ('OFF').
2. 00	Pas sélectionnée ('OFF'), et le code suivant sera A.00.
2. SP	Option sélectionnée ('ON'). Appuyer une fois sur la touche SUPÉRIEURE DROITE pour cette sélection.

REMARQUE : Si l'OPTION DE PRIX SPÉCIAL est sélectionnée, on a accès aux codes '3.XX' à '9.XX'.

→ Appuyer une fois sur la touche INFÉRIEURE CENTRALE pour passer au code suivant.

Options disponibles si l'option de PRIX SPÉCIAL a été sélectionnée :

3. 07	PRIX SPÉCIAL AU PROGRAMME NORMAL NORMAL
3. 07	Représente le nombre de pièces de 0,25 \$ (pièce 1) ; réglable de 0 à 200 (voir VALEUR DE LA PIÈCE 1). Augmenter de 0 à 200 en appuyant sur la touche SUPÉRIEURE GAUCHE et diminuer en appuyant sur la touche INFÉRIEURE GAUCHE. Valeur par défaut définie en usine sur 7 pièces de 0,25 \$ = 1,75 \$.
3. 00	MODÈLES PR SEULEMENT : Conguré à l'usine pour 0 pièce de 0,25 \$.
	→ Appuyer une fois sur la touche INFÉRIEURE CENTRALE pour passer au code suivant.
3. 07	PRIX SPÉCIAL AU PROGRAMME ARTICLES DÉLICATS DELICATES (Articles délicats)
3. 07	Représente le nombre de pièces de 0,25 \$ (pièce 1) ; réglable de 0 à 200 (voir VALEUR DE LA PIÈCE 1). Augmenter de 0 à 200 en appuyant sur la touche SUPÉRIEURE GAUCHE et diminuer en appuyant sur la touche INFÉRIEURE GAUCHE. Valeur par défaut définie en usine sur 7 pièces de 0,25 \$ = 1,75 \$.
3. 00	MODÈLES PR SEULEMENT : Conguré à l'usine pour 0 pièce de 0,25 \$.
	→ Appuyer une fois sur la touche INFÉRIEURE CENTRALE pour passer au code suivant.
3. 07	PRIX SPÉCIAL AU PROGRAMME LAVAGE HAUTE PUISSANCEE POWER WASH (lavage haute puissance)
3. 07	Représente le nombre de pièces de 0,25 \$ (pièce 1) ; réglable de 0 à 200 (voir VALEUR DE LA PIÈCE 1). Augmenter de 0 à 200 en appuyant sur la touche SUPÉRIEURE GAUCHE et diminuer en appuyant sur la touche INFÉRIEURE GAUCHE. Valeur par défaut définie en usine sur 7 pièces de 0,25 \$ = 1,75 \$.
3. 00	MODÈLES PR SEULEMENT : Conguré à l'usine pour 0 pièce de 0,25 \$.
	→ Appuyer une fois sur la touche INFÉRIEURE CENTRALE pour passer au code suivant.
5. 00	HORLOGE – MINUTES
5. 00	Réglage du nombre de minutes pour l'HORLOGE; sélectionner une valeur de 0–59 minutes : appuyer sur la touche INFÉRIEURE GAUCHE.
	→ Appuyer une fois sur la touche INFÉRIEURE CENTRALE pour passer au code suivant.

CODE	EXPLICATION																								
6. 00	HORLOGE – HEURES NOTE : Utilisation de l'heure militaire ou du format 24 h.																								
6. 00	Réglage du nombre d'heures pour l'HORLOGE; sélectionner une valeur de 0–23 heures : appuyer sur la touche INFÉRIEURE GAUCHE.																								
	→ Appuyer une fois sur la touche INFÉRIEURE CENTRALE pour passer au code suivant.																								
7. 00	PRIX SPÉCIAL – HEURE DE COMMENCEMENT NOTE : Utilisation de l'heure militaire ou du format 24 h.																								
7. 00	Sélection de l'heure de commencement pour cette tarification; 0–23 heures. Sélectionner START HOUR (heure de commencement) : appuyer sur la touche INFÉRIEURE GAUCHE ou SUPÉRIEURE GAUCHE.																								
	→ Appuyer une fois sur la touche INFÉRIEURE CENTRALE pour passer au code suivant.																								
8. 00	PRIX SPÉCIAL – HEURE D'EXPIRATION NOTE : Utilisation de l'heure militaire ou du format 24 h.																								
8. 00	Sélection de l'heure d'expiration pour cette tarification; de 0–23 heures. Sélectionner STOP HOUR (heure d'expiration) : appuyer sur la touche INFÉRIEURE GAUCHE ou SUPÉRIEURE GAUCHE.																								
	→ Appuyer une fois sur la touche INFÉRIEURE CENTRALE pour passer au code suivant.																								
9. 10	JOUR POUR PRIX SPÉCIAL																								
9. 10	Ceci représente le jour de la semaine sélectionné, et la sélection de la tarification spéciale pour ce jour. Un chiffre suivi de '0' indique que cette option n'est pas sélectionnée pour le jour particulier concerné (9.10). Un chiffre suivi d'un 'S' indique que cette option est sélectionnée pour le jour concerné (9.1S). Pour sélectionner les jours de la semaine (1–7), appuyer sur la touche INFÉRIEURE GAUCHE. Appuyer une fois sur la touche SUPÉRIEURE DROITE pour sélectionner le prix spécial pour chaque jour choisi. Le jour de la semaine doit apparaître sur l'afficheur au moment de sortir du code de paramétrage '9' :																								
	<table border="1"> <thead> <tr> <th>AFFICHEUR</th> <th>JOUR DE LA SEMAINE</th> <th>CODE (sélectionné)</th> </tr> </thead> <tbody> <tr> <td>10</td> <td>Jour 1 = Dimanche</td> <td>1S</td> </tr> <tr> <td>20</td> <td>Jour 2 = Lundi</td> <td>2S</td> </tr> <tr> <td>30</td> <td>Jour 3 = Mardi</td> <td>3S</td> </tr> <tr> <td>40</td> <td>Jour 4 = Mercredi</td> <td>4S</td> </tr> <tr> <td>50</td> <td>Jour 5 = Jeudi</td> <td>5S</td> </tr> <tr> <td>60</td> <td>Jour 6 = Vendredi</td> <td>6S</td> </tr> <tr> <td>70</td> <td>Jour 7 = Samedi</td> <td>7S</td> </tr> </tbody> </table>	AFFICHEUR	JOUR DE LA SEMAINE	CODE (sélectionné)	10	Jour 1 = Dimanche	1S	20	Jour 2 = Lundi	2S	30	Jour 3 = Mardi	3S	40	Jour 4 = Mercredi	4S	50	Jour 5 = Jeudi	5S	60	Jour 6 = Vendredi	6S	70	Jour 7 = Samedi	7S
AFFICHEUR	JOUR DE LA SEMAINE	CODE (sélectionné)																							
10	Jour 1 = Dimanche	1S																							
20	Jour 2 = Lundi	2S																							
30	Jour 3 = Mardi	3S																							
40	Jour 4 = Mercredi	4S																							
50	Jour 5 = Jeudi	5S																							
60	Jour 6 = Vendredi	6S																							
70	Jour 7 = Samedi	7S																							
	→ Appuyer une fois sur la touche INFÉRIEURE CENTRALE pour passer au code suivant.																								

CODE	EXPLICATION
A. 00	OPTION AFFICHAGE DU CONTENU DU COFFRE Cette option peut être SÉLECTIONNÉE ('ON') ou PAS SÉLECTIONNÉE ('OFF').
A. 00	Pas sélectionnée ('OFF').
A. SC	Option sélectionnée ('ON'). Appuyer une fois sur la touche SUPÉRIEURE DROITE pour cette sélection. Lorsque l'option est sélectionnée, le montant d'argent ou le nombre de programmes (si on a sélectionné l'option/les options du comptage) est visible lorsque la boîte à pièces a été enlevée. → Appuyer une fois sur la touche INFÉRIEURE CENTRALE pour passer au code suivant.

CODE	EXPLICATION
b. 05	VALEUR DE LA PIÈCE 1
b. 05	Ceci représente la valeur de la pièce 1, en multiples de 0,05 \$: 05 = 0,25 \$. Par des pressions sur la touche INFÉRIEURE GAUCHE, on peut sélectionner une valeur de 1 à 199 (multiples de 0,05 \$). → Appuyer une fois sur la touche INFÉRIEURE CENTRALE pour passer au code suivant.

CODE	EXPLICATION
C. 20	VALEUR DE LA PIÈCE 2
C. 20	Ceci représente la valeur de la pièce 2, en multiples de 0,05 \$: 20 = 1,00 \$.
C. 05	MODÈLES PR SEULEMENT : Conguré à l'usine pour 0,25 \$. Par des pressions sur la touche INFÉRIEURE GAUCHE, on peut sélectionner une valeur de 1 à 199 (multiples de 0,05 \$). → Appuyer une fois sur la touche INFÉRIEURE CENTRALE pour passer au code suivant.

CODE	EXPLICATION
d. 00	OPTION GLISSIÈRE À PIÈCES Cette option peut être SÉLECTIONNÉE ('ON') ou PAS SÉLECTIONNÉE ('OFF'). Le boîtier du compteur doit être remplacé pour le montage de la glissière à pièces.
d. 00	Pas sélectionnée ('OFF').
d. CS	Sélectionnée ('ON'). REMARQUE : Cette option devrait être réglée à '00' à moins que le boîtier du compteur ait été changé pour un dispositif de glissière à pièces. Appuyer 3 fois consécutives sur la touche SUPÉRIEURE DROITE pour cette sélection. Lorsqu'on sélectionne le mode de glissière à pièces, sélectionner une valeur 'b.' égale à la valeur des pièces placées dans la glissière, en multiples de 0,05 \$. Régler le code de paramétrage 6 xx (prix pour programme régulier) et le code de paramétrage 3.xx (prix pour programme spécial) pour le nombre de manoeuvres de la glissière. Si l'installateur sélectionne le paramétrage 'CS' sur un modèle à pièces, la laveuse n'enregistrera pas les pièces insérées. → Appuyer une fois sur la touche INFÉRIEURE CENTRALE pour passer au code suivant.

CODE	EXPLICATION
E. 00	OPTION ADDITION DE PIÈCES Cette option peut être SELECTIONNEE ('ON') ou PAS SELECTIONNEE ('OFF'). Cette option commande l'affichage pour le client du nombre de pièces (pièce 1) à insérer, plutôt que d'un montant monétaire.
E. 00	Pas sélectionnée ('OFF').
E. AC	Option sélectionnée ('ON'). Appuyer 3 fois consécutives sur la touche SUPÉRIEURE DROITE pour cette sélection. → Appuyer une fois sur la touche INFÉRIEURE CENTRALE pour passer au code suivant.

CODE	EXPLICATION
H. 00	PRIX DU PASSAGE POUR TEMPÉRATURE FRAÎCHE COOL (fraîche)
H. 00	Augmenter de 0 à 200 en appuyant sur la touche SUPÉRIEURE GAUCHE et diminuer en appuyant sur la touche INFÉRIEURE GAUCHE. Valeur par défaut définie en usine pour 0 pièces = 0,00 \$. → Appuyer une fois sur la touche INFÉRIEURE CENTRALE pour passer au code suivant.

CODE	EXPLICATION
H. 00	PRIX DU PASSAGE POUR TEMPÉRATURE TIÈDE WARM (tiède)
H. 00	Augmenter de 0 à 200 en appuyant sur la touche SUPÉRIEURE GAUCHE et diminuer en appuyant sur la touche INFÉRIEURE GAUCHE. Valeur par défaut définie en usine pour 0 pièces = 0,00 \$. → Appuyer une fois sur la touche INFÉRIEURE CENTRALE pour passer au code suivant.

CODE	EXPLICATION
H. 00	PRIX DU PASSAGE POUR TEMPÉRATURE CHAUDE HOT (chaude)
H. 00	Augmenter de 0 à 200 en appuyant sur la touche SUPÉRIEURE GAUCHE et diminuer en appuyant sur la touche INFÉRIEURE GAUCHE. Valeur par défaut définie en usine pour 0 pièces = 0,00 \$. → Appuyer une fois sur la touche INFÉRIEURE CENTRALE pour passer au code suivant.

CODE	EXPLICATION
H. 01	PRIX DU PASSAGE AU RINÇAGE SUPPLÉMENTAIRE EXTRA RINSE (rinçage supplémentaire)
H. 01	Augmenter de 0 à 200 en appuyant sur la touche SUPÉRIEURE GAUCHE et diminuer en appuyant sur la touche INFÉRIEURE GAUCHE. Valeur par défaut définie en usine pour 0 pièces = 0,00 \$. → Appuyer une fois sur la touche INFÉRIEURE CENTRALE pour passer au code suivant.

CODE	EXPLICATION
J Cd	OPTION PIÈCES/DÉBIT
J. Cd	Sélection du paiement par pièces et par carte de débit. Appuyer 3 fois consécutives sur la touche SUPÉRIEURE DROITE pour cette sélection.
J. C_	Paiement par pièces sélectionné; paiement par carte de débit désactivé. Appuyer 3 fois consécutives sur la touche SUPÉRIEURE DROITE pour cette sélection.
J. _d	Modèles PR sont configurés à l'usine pour J._d. Paiement par carte de débit sélectionné, paiement par pièces désactivé. Appuyer 3 fois consécutives sur la touche SUPÉRIEURE DROITE pour modifier cette sélection.
J. Ed	L'option de paiement améliorée/carte de débit est auto-sélectionnée lors de l'installation d'un lecteur de carte Génération 2 sur la laveuse. On ne peut sélectionner/désélectionner manuellement l'option Ed. → Appuyer une fois sur la touche INFÉRIEURE CENTRALE pour passer au code suivant.
L. 00	OPTION SUPPRESSION DU PRIX Lorsque cette option est sélectionnée, l'affichage présente le message 'ADD' (ajouter) ou 'AVAILABLE' (disponible) plutôt que le montant monétaire à ajouter. (Utilisation principalement avec l'emploi du paiement par carte de débit.)
L. 00	Pas sélectionnée ('OFF').
L. PS	Sélectionnée ('ON'). Appuyer une fois sur la touche SUPÉRIEURE DROITE pour cette sélection. → Appuyer une fois sur la touche INFÉRIEURE CENTRALE pour passer au code suivant.
n. CE	OPTION EFFACEMENT DU MONTANT MÉMORISÉ Lorsque cette option est sélectionnée, un montant conservé en mémoire est effacé après 30 minutes sans autre activité.
n 00	Pas sélectionnée ('OFF').
n CE	Sélectionnée ('ON'). Appuyer une fois sur la touche SUPÉRIEURE DROITE pour cette option. → Appuyer une fois sur la touche INFÉRIEURE CENTRALE pour passer au code suivant.
r. 800	VITESSE D'ESSORAGE LA PLUS ÉLEVÉE (EN RPM)
r. 800	Cette option peut être sélectionnée à partir des vitesses d'essorage suivantes : 600 rpm, 750 rpm, 800 rpm, 1000 (affichage de 999) rpm. Passer d'une vitesse à une autre en appuyant sur SUPÉRIEURE DROITE. Configuré à l'usine pour 800 rpm. → Appuyer une fois sur la touche INFÉRIEURE CENTRALE pour passer au code suivant.
U. 00	INCRÉMENT CENTIME
U. 00	Ceci représente la valeur de l'incrément de prix utilisé sur le modèle PR Génération 2 (paiement par carte de débit/amélioration). Appuyer sur la touche INFÉRIEURE GAUCHE pour sélectionner une valeur de 0 à 4 centimes. → Appuyer une fois sur la touche INFÉRIEURE CENTRALE pour passer au code suivant.

CODE	EXPLICATION
A1. 03	DURÉE DE PRÉLAVAGE
A1. 03	Ceci correspond au nombre de minutes de la période de PRÉLAVAGE. Sélectionner entre 2 et 7 minutes en appuyant sur la touche SUPÉRIEURE GAUCHE pour augmenter ou sur la touche INFÉRIEURE GAUCHE pour diminuer. → Appuyer une fois sur la touche INFÉRIEURE CENTRALE pour passer au code suivant.
A2. 03	DURÉE DE L'ESSORAGE FINAL
A2. 03	Ceci correspond au nombre de minutes de la période de l'essorage final à vitesse élevée. Choisir entre 3 et 8 minutes en appuyant sur la touche SUPÉRIEURE GAUCHE pour augmenter ou sur la touche INFÉRIEURE GAUCHE pour diminuer. → Appuyer une fois sur la touche INFÉRIEURE CENTRALE pour passer au code suivant.
A3. 02	RÉGLAGES DE PROGRAMME NORMAL
A3. 02	Permet au propriétaire de sélectionner les options de programme par défaut telles que la température d'eau, le pré-lavage et le rinçage supplémentaire. Voir Tableau 1 pour les réglages spécifiques. Le programme normal est réglé à 02 par l'usine. Les touches SUPÉRIEURE GAUCHE et INFÉRIEURE GAUCHE changent les valeurs.
A4. 00	RÉGLAGES DE PROGRAMME POUR ARTICLES DÉLICATS
A4. 00	Permet au propriétaire de sélectionner les options de programme par défaut telles que la température d'eau, le pré-lavage et le rinçage supplémentaire. Voir Tableau 1 pour les réglages spécifiques. Le programme pour articles délicats est réglé à 00 par l'usine. Les touches SUPÉRIEURE GAUCHE et INFÉRIEURE GAUCHE changent les valeurs.
A5. OF	RÉGLAGES DE PROGRAMME LAVAGE HAUTE PUISSANCE
A5. OF	Permet au propriétaire de sélectionner les options de programme par défaut telles que la température d'eau, le pré-lavage et le rinçage supplémentaire. Voir Tableau 1 pour les réglages spécifiques. Le programme de lavage haute puissance est réglé à OF par l'usine. Les touches SUPÉRIEURE GAUCHE et INFÉRIEURE GAUCHE changent les valeurs.

A3, A4 ou A5	Rinçage Suppl.	Pré-lavage	Temp. de lavage	A3, A4 ou A5	Rinçage Suppl.	Pré-lavage	Temp. de lavage
00	Arrêt	Arrêt	Froide	08	Marche	Arrêt	Froide
01	Arrêt	Arrêt	Froide	09	Marche	Arrêt	Froide
02	Arrêt	Arrêt	Tiède	0A	Marche	Arrêt	Tiède
03	Arrêt	Arrêt	Chaude	0b	Marche	Arrêt	Chaude
04	Arrêt	Marche	Froide	0c	Marche	Marche	Froide
05	Arrêt	Marche	Fraîche	0d	Marche	Marche	Fraîche
06	Arrêt	Marche	Tiède	0E	Marche	Marche	Tiède
07	Arrêt	Marche	Chaude	0F	Marche	Marche	Chaude

Si le compteur de programme (9 0C) est sélectionné, ce qui suit est vrai :

1 00	Nombre de programmes, en CENTAINES	1 02	=	200
2 00	Nombre de programmes, en UNITÉS.	2 25	=	25

TOTAL PROGRAMMES = 225

Cette information est "SEULEMENT AFFICHÉE"; on ne peut l'effacer.

Appuyer une fois sur la touche INFÉRIEURE CENTRALE pour passer au code suivant.

Si le compteur monétaire (1.0C ou 1.C0) est sélectionné, ce qui suit est vrai :

3 00	Nombre de pièces, en CENTAINES.	3 01	=	100,00 \$
4 00	Nombre de pièces, en UNITÉS.	4 68	=	68,00 \$
5 00	Nombre de CENTIÈMES.	5 75	=	0,75 \$
TOTAL			=	168,75 \$

FIN DES PROCÉDURES DE PARAMÉTRAGE

POUR QUITTER LE MODE DE PARAMÉTRAGE

Modèles PD :

Réinstaller la porte d'accès.

Modèles PR :

1. Débrancher la laveuse ou déconnecter la source de courant électrique.
2. Ouvrir la console, réinsérer la fiche dans le connecteur AA1, fermer la console.
3. Brancher la laveuse ou reconnecter la source de courant électrique.

LES MODÈLES PR SONT PARAMÉTRÉS COMME PN AVEC UN COMMUTATEUR DE PROGRAMMATION :

Tourner la clé dans le sens horaire et la retirer.

LES MODÈLES PR SONT PARAMÉTRÉS COMME PN SANS UN COMMUTATEUR DE PROGRAMMATION :

Pour quitter le mode de paramétrage, suivre les procédures dans la section Code d'accès pour entretien (ci-dessous).

CODE D'ACCÈS POUR ENTRETIEN

Ce code peut être entré pour accéder au mode d'entretien sans retirer la console. Il fonctionne uniquement sur les laveuses paramétrées pour un prix de vente de 0 sans paramétrage pour tarification spéciale, et l'option de pièces/carte de débit doit être réglée à "J_d". Si la laveuse n'est pas au mode d'échec, la porte doit être ouverte pour pouvoir poursuivre. La section Code d'accès pour entretien contient 4 étapes. Exécuter les étapes suivantes :

1. Appuyer sur la touche supérieure gauche.
2. Appuyer sur la touche inférieure droite.
3. Appuyer sur la touche supérieure droite.
4. Appuyer sur la touche inférieure gauche.

REMARQUE : Si la procédure du code d'accès pour entretien n'est pas effectuée correctement tel qu'indiqué ci-dessus, un délai de 15 secondes s'écoulera avant que l'on puisse retenter la manœuvre.

Il existe 3 façons de quitter le mode d'entretien :

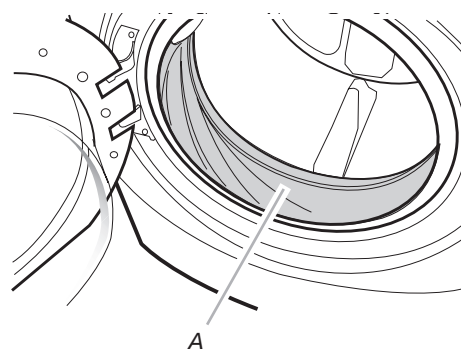
1. À partir du code de paramétrage 8, appuyer sur la touche inférieure gauche (Temperature) pendant 4 secondes.
2. Attendre 2 minutes sans toucher aucune touche (sans qu'aucun mode de diagnostic ne soit activé).
3. Couper l'alimentation électrique de la laveuse, puis rétablir l'alimentation électrique.

ENTRETIEN DE LA LAVEUSE

Nettoyage de la laveuse

Nettoyage du joint/soufflet de la porte

1. Ouvrir la porte de la laveuse et retirer tout vêtement ou article de la laveuse.
2. Examiner la porte en verre intérieure. Si les débris sont présents, effacer les débris en utilisant un chiffon humide.
3. Examiner le joint/soufflet coloré entre l'ouverture de la porte et le tambour pour déceler des zones tachées. Tirer sur le joint/soufflet pour examiner toutes les zones sous le joint/soufflet et voir s'il n'y a pas d'objets étrangers.



A. Joint/soufflet

4. Si des zones tachées sont décelées, essuyer ces zones en respectant la procédure indiquée ci-dessous :
 - a) Mélanger une solution diluée en utilisant $\frac{3}{4}$ de tasse (177 mL) d'agent de blanchiment au chlore liquide et 1 gal. (3,8 L) d'eau tiède du robinet.
 - b) Essuyer la zone du joint/soufflet avec la solution diluée, en utilisant un chiffon humide.
 - c) Laisser agir pendant 5 minutes.
 - d) Essuyer la zone complètement avec un chiffon sec et laisser l'intérieur de la laveuse sécher avec la porte ouverte.

IMPORTANT :

- Porter des gants en caoutchouc en cas de nettoyage pendant une période prolongée.
- Consulter les instructions du fabricant de l'agent de blanchiment pour une utilisation correcte.

Procédure d'entretien de la laveuse

Cette laveuse comporte un programme spécial qui utilise des volumes d'eau plus importants en combinaison avec un agent de blanchiment au chlore liquide pour nettoyer en profondeur l'intérieur de la laveuse.

REMARQUES :

- Lire ces instructions complètement avant de commencer la procédure de nettoyage.
- Si nécessaire, le programme de nettoyage peut être interrompu en appuyant deux fois sur la touche SUPÉRIEURE DROITE. Cependant, ceci n'arrêtera pas immédiatement le programme. La laveuse poursuivra avec plusieurs rinçages et vidanges afin d'évacuer toute trace d'agent de blanchiment de la laveuse.

Début de la procédure

1. Ouvrir la porte de la laveuse et retirer tout vêtement ou article de la laveuse.
2. **Utiliser un agent de blanchiment liquide :**
Ouvrir le tiroir distributeur et ajouter immédiatement $\frac{2}{3}$ de tasse (160 mL) d'agent de blanchiment liquide au chlore dans le compartiment d'agent de blanchiment.

REMARQUE : Ne pas verser de détergent pour ce programme. L'utilisation de plus de $\frac{2}{3}$ de tasse (160 mL) d'agent de blanchiment occasionnera, avec le temps, des dommages au produit.

3. Fermer la porte de la laveuse et le tiroir distributeur.
4. Pour mettre en marche le programme de nettoyage de la laveuse, entrer d'abord dans "Paramétrage pour mise en marche". Puis appuyer sans relâcher sur la touche SUPÉRIEURE DROITE pendant 1 seconde. Alors que l'ensemble de l'affichage clignote, appuyer sur BRIGHTS.
REMARQUE : Le tambour pivote, la porte se déverrouille, se verrouille à nouveau et ensuite le programme se poursuit.
 - La laveuse ne se remplit pas d'eau mais le tambour tourne alors que la laveuse effectue un court programme de détection. Ceci prend environ 3 minutes.
5. Le programme détermine si des vêtements ou d'autres articles se trouvent dans la laveuse.
 - a) Si aucun article n'est détecté dans la laveuse, il passe à l'étape 7.
 - b) Si des articles sont détectés dans la laveuse, "rL" (enlever la charge) ou "F-34" s'affiche. Ensuite la porte se déverrouille.
 - Appuyer sur la touche SUPÉRIEURE DROITE pour annuler le code de défaillance. Puis répéter les étapes 1, 3 et 4 pour remettre le programme en marche.

6. Une fois que le programme a commencé, laisser le programme s'achever.
7. À la fin du programme, laisser la porte légèrement ouverte, pour permettre une meilleure ventilation et le séchage de l'intérieur de la laveuse.

Toujours suivre la procédure qui suit pour préserver la fraîcheur de la laveuse :

- Utiliser uniquement un détergent Haute efficacité "HE".
- Laisser la porte légèrement ouverte après chaque programme pour permettre une meilleure ventilation et le séchage de l'intérieur de la laveuse.
- Nettoyer la laveuse chaque mois selon la Procédure d'entretien de la laveuse, en utilisant $\frac{2}{3}$ de tasse (160 mL) d'agent de blanchiment au chlore liquide.
- Si la procédure ne permet pas de remédier suffisamment aux problèmes de fraîcheur de la laveuse, veuillez examiner les conditions d'installation et d'utilisation pour déceler d'autres causes.

Nettoyage de l'extérieur

Utiliser une éponge ou un chiffon doux humide pour essuyer les renversements. Essuyer occasionnellement les surfaces externes de la laveuse pour maintenir son apparence d'appareil neuf. Utiliser un savon doux et de l'eau. Ne pas utiliser des produits abrasifs.

Nettoyage du tiroir distributeur

Le tiroir distributeur est amovible pour faciliter le nettoyage.

1. Déverrouiller le tiroir distributeur en appuyant sur le levier de dégagement. Retirer le tiroir.
2. Oter les pièces incluses (le siphon des compartiments de l'assouplissant de tissu et de l'agent de blanchiment).
3. Laver les pièces sous l'eau du robinet.
REMARQUE : Ne pas laver les composants au lave-vaisselle.
4. Réinstaller les pièces incluses et remettre le distributeur dans le tiroir.

Tuyaux d'arrivée d'eau

Remplacer les tuyaux d'arrivée d'eau après 5 ans d'utilisation pour réduire le risque de défaillance des tuyaux. Inspecter périodiquement les tuyaux; les remplacer en cas de renflement, de déformation, de coupure, et d'usure ou si une fuite se manifeste.

Lors du remplacement des tuyaux d'arrivée d'eau, inscrire la date du remplacement.

ASSISTANCE OU SERVICE

Si vous avez besoin d'assistance :

Contactez le distributeur auprès duquel la laveuse a été achetée ou identifier un distributeur d'appareils de buanderie commerciaux de Maytag agréé; consulter également www.maytagcommerciallaundry.com.

Lors de l'appel, vous aurez besoin des numéros de modèle et de série de la laveuse. Vous trouverez ces deux numéros sur la plaque signalétique située sur la laveuse.

GARANTIE DE LA LAVEUSE COMMERCIALE, DE LA SÈCHEUSE, DE LA SÈCHEUSE/SÈCHEUSE SUPERPOSÉE, DE L'ENSEMBLE DE BUANDERIE COMMERCIAL SUPERPOSÉ, ET DES LAVEUSES ET SÈCHEUSES COMMERCIALES MULTI-CHARGE PAYANTES MAYTAG®

GARANTIE LIMITÉE (PIÈCES UNIQUEMENT – MAINS-D'OEUVRE NON INCLUS)

Pendant les cinq premières années à compter de la date d'achat d'origine, lorsque cet appareil ménager à usage commercial est installé, entretenue et utilisé conformément aux instructions jointes à ou fournies avec le produit, Maytag marque de Whirlpool Corporation (ci-après désignées "Maytag") paiera pour les pièces de rechange spécifiées par l'usine pour corriger les vices de matériaux ou de fabrication qui existaient déjà lorsque cet appareil ménager à usage commercial a été acheté. Cette garantie limitée n'inclut pas frais de main d'oeuvre.

LE SEUL ET EXCLUSIF RECOURS DU CLIENT DANS LE CADRE DE LA PRÉSENTE GARANTIE LIMITÉE CONSISTE EN LA RÉPARATION PRÉVUE CI-DESSUS. Maytag recommande que l'utilisateur emploie les services d'une agence "intra-réseau" pour diagnostiquer et réparer le produit de buanderie à usage commercial concerné. Maytag ne sera pas responsable de l'obtention de pièces de rechange supplémentaires dans le cadre de la présente garantie suite à un diagnostic erroné ou à une réparation erronée effectuée par un service de dépannage "hors réseau". Cette garantie limitée est valide aux États-Unis ou au Canada et s'applique exclusivement lorsque l'appareil ménager à usage commercial concerné est utilisé dans le pays où il a été acheté. La présente garantie limitée est valable à compter de la date d'achat initial par le consommateur. Une preuve de la date d'achat d'origine est exigée pour obtenir un dépannage dans le cadre de la présente garantie limitée.

ÉLÉMENTS EXCLUS DE LA GARANTIE

La présente garantie limitée ne couvre pas :

1. Tous autres frais y compris frais de main d'oeuvre, transport, frais d'expédition ou droits de douane pour les pièces couvertes.
2. Les pièces de rechange spécifiées par l'usine lorsque cet appareil ménager à usage commercial est utilisé à des fins autres qu'un usage commercial normal ou lorsque les instructions d'installation et/ou les instructions de l'opérateur ou de l'utilisateur fournies ne sont pas respectées.
3. Les visites de service pour rectifier l'installation de l'appareil ménager à usage commercial, montrer à l'utilisateur comment utiliser l'appareil ménager à usage commercial, remplacer ou réparer des fusibles ou rectifier le câblage ou la plomberie externe.
4. Les dommages imputables à : mauvaise manipulation du produit lors de la livraison, vol, accident, modification, usage impropre ou abusif, incendie, inondation, catastrophes naturelles, installation fautive ou non conforme aux codes locaux d'électricité ou de plomberie, ou l'utilisation de produits non approuvés par Maytag.
5. Le ramassage et la livraison. Cet appareil ménager à usage commercial est conçu pour être réparé sur site.
6. Les réparations des pièces ou systèmes résultant d'une modification non autorisée apportée à l'appareil ménager à usage commercial.
7. L'enlèvement et la réinstallation de l'appareil ménager à usage commercial si celui-ci est installé dans un endroit inaccessible ou n'est pas installé conformément aux instructions d'installation fournies.
8. Dommages entraînés par l'exposition du produit à des produits chimiques.
9. Des modifications apportées à l'immeuble, à la pièce ou aux lieux afin de permettre à l'appareil ménager à usage commercial de fonctionner correctement.
10. Les pièces de rechange spécifiées par l'usine pour les appareils ménagers à usage commercial dont les numéros de série et de modèle d'origine ont été supprimés, modifiés ou qui ne peuvent pas être facilement identifiés.
11. La décoloration au l'oxydation de surfaces en acier inoxydable ou encore l'apparition de rouille sur ces surfaces.
12. Les pièces de rechange spécifiées par l'usine suite à un diagnostic erroné ou à une réparation erronée effectuée par un service de dépannage "hors réseau".

Le coût d'une réparation ou d'un remplacement dans le cadre de ces circonstances exclues est à la charge du client.

CLAUSE D'EXONÉRATION DE RESPONSABILITÉ AU TITRE DES GARANTIES IMPLICITES

LES GARANTIES IMPLICITES, Y COMPRIS LES GARANTIES APPLICABLES DE QUALITÉ MARCHANDE OU D'APTITUDE À UN USAGE PARTICULIER, SONT LIMITÉES À UN AN OU À LA PLUS COURTE PÉRIODE AUTORISÉE PAR LA LOI. Certains États et certaines provinces ne permettent pas de limitation sur la durée de garanties implicites de qualité marchande ou d'aptitude à un usage particulier, de sorte que la limitation ci-dessus peut ne pas être applicable dans votre cas. Cette garantie vous confère des droits juridiques spécifiques, et vous pouvez également avoir d'autres droits qui peuvent varier d'une juridiction à l'autre.

EXONÉRATION DE RESPONSABILITÉ EN DEHORS DE LA GARANTIE

Maytag ne prend aucun engagement quant à la qualité ou la durabilité de l'appareil, ou en cas de dépannage ou de réparation nécessaire sur cet appareil ménager à usage commercial, autre que les engagements énoncés dans la présente garantie. Si vous souhaitez une garantie prolongée ou plus complète que la garantie limitée fournie avec cet appareil ménager à usage commercial, renseignez-vous auprès de Maytag ou de votre détaillant à propos de l'achat d'une extension de garantie.

LIMITATION DES RECOURS; EXCLUSION DES DOMMAGES FORTUITS OU INDIRECTS

LE SEUL ET EXCLUSIF RECOURS DU CLIENT DANS LE CADRE DE LA PRÉSENTE GARANTIE LIMITÉE CONSISTE EN LA RÉPARATION PRÉVUE CI-DESSUS. MAYTAG N'ASSUME AUCUNE RESPONSABILITÉ POUR LES DOMMAGES FORTUITS OU INDIRECTS. Certains États et certaines provinces ne permettent pas l'exclusion ou la limitation des dommages fortuits ou indirects de sorte que ces limitations et exclusions peuvent ne pas être applicables dans votre cas. Cette garantie vous confère des droits juridiques spécifiques, et vous pouvez également avoir d'autres droits qui peuvent varier d'une juridiction à l'autre.

Si vous avez besoin de service, veuillez contacter votre distributeur autorisé de Maytag Commercial Laundry®. Pour localiser votre distributeur autorisé de Maytag Commercial Laundry®, composer le 1-800-662-3587, ou pour toute question via internet, consulter : www.MaytagCommercialLaundry.com.

02/14

Pour toute correspondance écrite :
Maytag Commercial Laundry® Service Department
2000 N M 63
Benton Harbor, Michigan 49022-2632 USA