



---

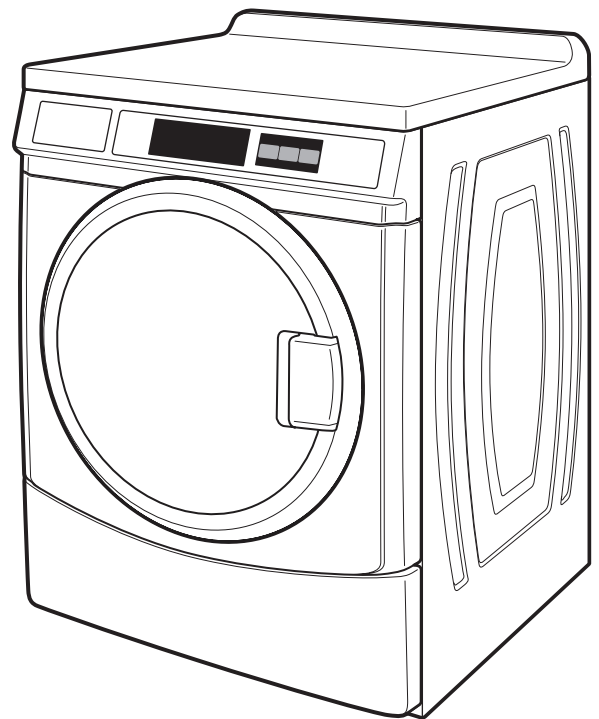
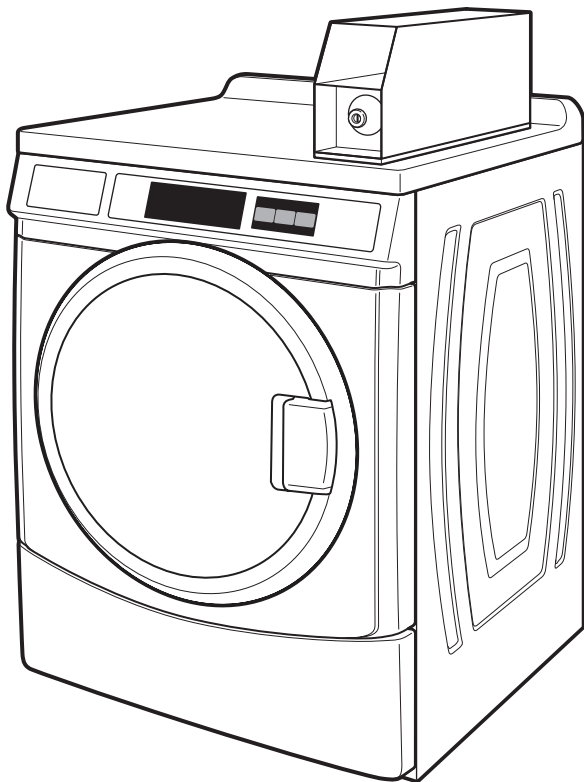
## **INSTALLATION INSTRUCTIONS COMMERCIAL DRYER – GAS OR ELECTRIC**

---

## **INSTRUCTIONS D'INSTALLATION SÉCHEUSE COMMERCIALE – À GAZ OU ÉLECTRIQUE**

---

Table of Contents/Table des matières..... 2



## TABLE OF CONTENTS

<b>DRYER SAFETY</b> .....	<b>2</b>
<b>INSTALLATION REQUIREMENTS</b> .....	<b>5</b>
Tools and Parts .....	5
Location Requirements .....	6
Electrical Requirements .....	7
Gas Supply Requirements .....	10
Venting Requirements .....	11
<b>INSTALLATION INSTRUCTIONS – GAS DRYER</b> .....	<b>13</b>
Make Gas Connection .....	13
Connect Vent .....	13
Complete Installation .....	13
<b>INSTALLATION INSTRUCTIONS – ELECTRIC DRYER</b> .....	<b>14</b>
Power Supply Cord (U.S.A. Only) .....	14
Direct Wire Method (U.S.A. Only) .....	18
Connect Vent .....	21
Complete Installation .....	21
<b>REVERSING THE DOOR SWING</b> .....	<b>22</b>
<b>MAINTENANCE INSTRUCTIONS</b> .....	<b>23</b>
<b>ELECTRONIC CONTROL SETUP</b> .....	<b>24</b>
<b>WARRANTY</b> .....	<b>28</b>

## TABLE DES MATIÈRES

<b>SÉCURITÉ DE LA SÈCHEUSE</b> .....	<b>29</b>
<b>EXIGENCES D'INSTALLATION</b> .....	<b>32</b>
Outils et pièces .....	32
Exigences d'emplacement .....	33
Spécifications électriques .....	34
Spécifications de l'alimentation en gaz .....	36
Exigences concernant l'évacuation .....	37
<b>INSTRUCTIONS D'INSTALLATION – SÈCHEUSE À GAZ</b> .....	<b>39</b>
Raccordement à la canalisation de gaz .....	39
Raccordement du conduit d'évacuation .....	39
Achever l'installation .....	39
<b>INSTRUCTIONS D'INSTALLATION – SÈCHEUSE ÉLECTRIQUE</b> .....	<b>40</b>
Raccordement du conduit d'évacuation .....	40
Achever l'installation .....	40
<b>INVERSION DU SENS D'OUVERTURE DE LA PORTE</b> .....	<b>41</b>
<b>INSTRUCTIONS D'ENTRETIEN</b> .....	<b>42</b>
<b>RÉGLAGE DE COMMANDE ÉLECTRONIQUE</b> .....	<b>43</b>
<b>GARANTIE</b> .....	<b>47</b>

## DRYER SAFETY

### Your safety and the safety of others are very important.

We have provided many important safety messages in this manual and on your appliance. Always read and obey all safety messages.



This is the safety alert symbol.

This symbol alerts you to potential hazards that can kill or hurt you and others.

All safety messages will follow the safety alert symbol and either the word "DANGER" or "WARNING."

These words mean:

**⚠ DANGER**

**You can be killed or seriously injured if you don't immediately follow instructions.**

**⚠ WARNING**

**You can be killed or seriously injured if you don't follow instructions.**

All safety messages will tell you what the potential hazard is, tell you how to reduce the chance of injury, and tell you what can happen if the instructions are not followed.

- It is recommended that the owner post, in a prominent location, instructions for the customer's use in the event the customer smells gas. This information should be obtained from your gas supplier.
- Post the following warning in a prominent location.

### FOR YOUR SAFETY

Do not store or use gasoline or other flammable vapors and liquids in the vicinity of this or any other appliance.

**WARNING:** For your safety, the information in this manual must be followed to minimize the risk of fire or explosion, or to prevent property damage, personal injury, or death.

- Do not store or use gasoline or other flammable vapors and liquids in the vicinity of this or any other appliance.
- **WHAT TO DO IF YOU SMELL GAS:**
  - Do not try to light any appliance.
  - Do not touch any electrical switch; do not use any phone in your building.
  - Clear the room, building, or area of all occupants.
  - Immediately call your gas supplier from a neighbor's phone. Follow the gas supplier's instructions.
  - If you cannot reach your gas supplier, call the fire department.
- Installation and service must be performed by a qualified installer, service agency, or the gas supplier.

**WARNING:** Gas leaks cannot always be detected by smell.

Gas suppliers recommend that you use a gas detector approved by UL or CSA.

For more information, contact your gas supplier.

If a gas leak is detected, follow the "What to do if you smell gas" instructions.

State of California Proposition 65 Warnings:

**WARNING:** This product contains one or more chemicals known to the State of California to cause cancer.

**WARNING:** This product contains one or more chemicals known to the State of California to cause birth defects or other reproductive harm.



## **WARNING - "Risk of Fire"**

- Clothes dryer installation must be performed by a qualified installer.
- Install the clothes dryer according to the manufacturer's instructions and local codes.
- Do not install a clothes dryer with flexible plastic venting materials or flexible metal (foil type) duct. If flexible metal duct is installed, it must be of a specific type identified by the appliance manufacturer as suitable for use with clothes dryers. Flexible venting materials are known to collapse, be easily crushed, and trap lint. These conditions will obstruct clothes dryer airflow and increase the risk of fire.
- To reduce the risk of severe injury or death, follow all installation instructions.
- Save these instructions.

In the State of Massachusetts, the following installation instructions apply:

- Installations and repairs must be performed by a qualified or licensed contractor, plumber, or gasfitter qualified or licensed by the State of Massachusetts.
- If using a ball valve, it shall be a T-handle type.
- A flexible gas connector, when used, must not exceed 3 feet.

### IMPORTANT SAFETY INSTRUCTIONS

**WARNING:** To reduce the risk of fire, electric shock, or injury to persons when using the dryer, follow basic precautions, including the following:

- Read all instructions before using the dryer.
- Do not place items exposed to cooking oils in your dryer. Items contaminated with cooking oils may contribute to a chemical reaction that could cause a load to catch fire.
- Do not dry articles that have been previously cleaned in, washed in, soaked in, or spotted with gasoline, dry-cleaning solvents, or other flammable or explosive substances as they give off vapors that could ignite or explode.
- Do not allow children to play on or in the dryer. Close supervision of children is necessary when the dryer is used near children.
- Before the dryer is removed from service or discarded, remove the door to the drying compartment.
- Do not reach into the dryer if the drum is moving.
- Do not install or store the dryer where it will be exposed to the weather.
- Do not tamper with controls.
- Do not repair or replace any part of the dryer or attempt any servicing unless specifically recommended in this Use and Care Guide or in published user-repair instructions that you understand and have the skills to carry out.
- Do not use fabric softeners or products to eliminate static unless recommended by the manufacturer of the fabric softener or product.
- Do not use heat to dry articles containing foam rubber or similarly textured rubber-like materials.
- Clean lint screen before or after each load.
- Keep area around the exhaust opening and adjacent surrounding areas free from the accumulation of lint, dust, and dirt.
- The interior of the dryer and exhaust vent should be cleaned periodically by qualified service personnel.
- See "Electrical Requirements" located in the installation instructions for grounding instructions.

### SAVE THESE INSTRUCTIONS

**IMPORTANT:** The gas installation must conform with local codes, or in the absence of local codes, with the National Fuel Gas Code, ANSI Z223.1/NFPA 54 or the Canadian Natural Gas and Propane Installation Code, CSA B149.1.

The dryer must be electrically grounded in accordance with local codes, or in the absence of local codes, with the National Electrical Code, ANSI/NFPA 70 or Canadian Electrical Code, CSA C22.1.

### IMPORTANT SAFETY INSTRUCTIONS

When discarding or storing your old clothes dryer, remove the door.

### SAVE THESE INSTRUCTIONS

# INSTALLATION REQUIREMENTS

## Tools & Parts

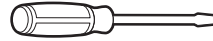
### Tools Needed:



8" (200 mm)  
or 10" (250 mm)  
Pipe wrench



8" (200 mm) or 10" (250 mm)  
Adjustable wrench  
that opens to 1" (25 mm)



Flat-blade screwdriver



Phillips screwdriver



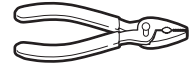
TORX T20<sup>†</sup> security  
screwdriver or bit



1" (25 mm) Hex-head  
socket wrench



5/16" (8 mm) Socket wrench



Pliers (that open to  
1<sup>9</sup>/<sub>16</sub>" [39 mm])



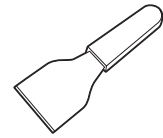
Level



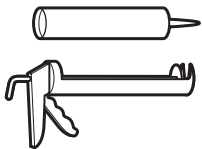
Utility knife



Pipe-joint compound  
resistant to LP gas



Putty knife



Caulk gun and caulk  
(for installing new exhaust vent)



Vent clamps

### Parts supplied:

Remove parts bag from dryer drum. Check that all parts were included.

- Foot boot (4)
- Dryer foot (4)
- PD models: Cam for service door lock  
PR models: Card reader bezel, card reader wire harness,  
hardware

### Optional parts not included:

- 279810 Long dryer foot
- LP Kit W10402145
- 208V electric element:  
U.S. – W10206352A, Canada – W10206351A

<sup>†</sup>© TORX and T20 are registered trademarks of Acument Intellectual Properties, LLC.

## Location Requirements

### **⚠ WARNING**



#### Explosion Hazard

Keep flammable materials and vapors, such as gasoline, away from dryer.

Do not install in a garage.

Failure to do so can result in death, explosion, or fire.

#### If installing a gas dryer:

**IMPORTANT:** Observe all governing codes and ordinances.

- Check code requirements: Some codes limit or do not permit installation of clothes dryers in garages, closets, or sleeping quarters. Contact your local building inspector.
- Make sure that lower edges of the cabinet, plus the back and bottom sides of the dryer, are free of obstructions to permit adequate clearance of air openings for combustion air. See "Recessed Area and Closet Installation Instructions" below for minimum spacing requirements.

**NOTE:** The dryer must not be installed in an area where it will be exposed to water and/or weather.

#### Recessed Area and Closet Installation Instructions

This dryer may be installed in a recessed area or closet. For recessed area and closet installations, minimum clearances can be found on the warning label on the rear of the dryer.

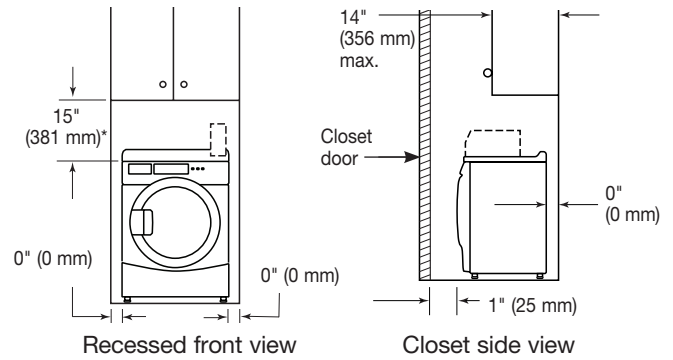
The installation spacing is in inches and is the minimum allowable. Additional spacing should be considered for ease of installation, servicing, and compliance with local codes and ordinances.

If closet door is installed, the minimum unobstructed air opening in the top and bottom is required. Louvered doors with equivalent air openings are acceptable.

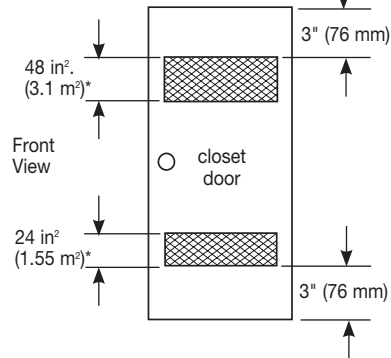
The dryer must be exhausted outdoors.

No other fuel-burning appliance may be installed in the same closet as the dryer.

#### Minimum Installation Clearances

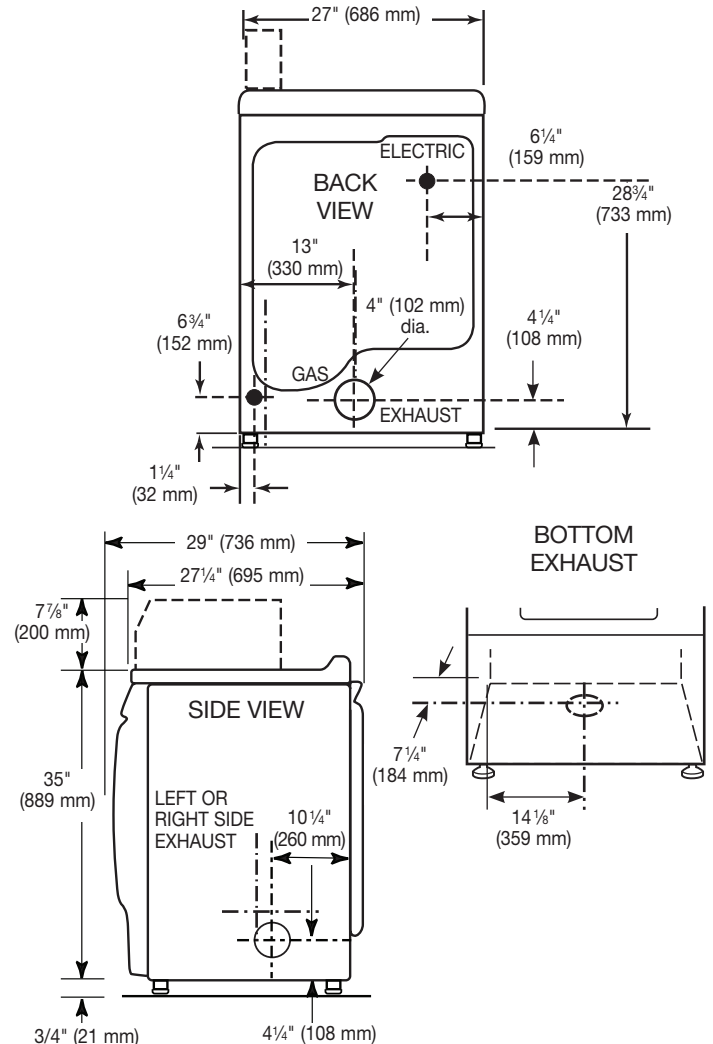


\*Additional clearances for wall, door, and floor moldings may be required or if external exhaust elbow is used.



\*Opening is the minimum for a closet door. Louvered doors with equivalent air openings are acceptable.

#### Product Dimensions 27" (68.6 cm) Dryer



## Electrical Requirements – Gas Dryer

### **⚠ WARNING**



#### **Electrical Shock Hazard**

**Plug into a grounded 3 prong outlet.**

**Do not remove ground prong.**

**Do not use an adapter.**

**Do not use an extension cord.**

**Failure to follow these instructions can result in death, fire, or electrical shock.**

**IMPORTANT:** The dryer must be electrically grounded in accordance with local codes and ordinances or, in the absence of local codes, with the National Electrical Code, ANSI/NFPA 70, latest edition, or Canadian Electrical Code, CSA C22.1.

If codes permit and a separate ground wire is used, it is recommended that a qualified electrical installer determine that the ground path is adequate.

A copy of the above code standards can be obtained from:

National Fire Protection Association  
One Batterymarch Park, Quincy, MA 02269

CSA International  
8501 East Pleasant Valley Road  
Cleveland, Ohio 44131-5575

- A 120 volt, 60 Hz, AC only, 15- or 20-amp, fused electrical circuit is required. A time-delay fuse or circuit breaker is also recommended. It is recommended that a separate circuit serving only this dryer be provided.

### **Recommended Ground Method**

The dryer, when installed, must be electrically grounded in accordance with local codes or, in the absence of local codes, with the National Electrical Code, ANSI/NFPA 70, latest edition, or Canadian Electrical Code, CSA C22.1, and all local codes and ordinances.

### **GROUNDING INSTRUCTIONS**

- For a grounded, cord-connected dryer:

This dryer must be grounded. In the event of malfunction or breakdown, grounding will reduce the risk of electric shock by providing a path of least resistance for electric current. This dryer is equipped with a cord having an equipment-grounding conductor and a grounding plug. The plug must be plugged into an appropriate outlet that is properly installed and grounded in accordance with all local codes and ordinances.

**WARNING:** Improper connection of the equipment-grounding conductor can result in a risk of electric shock. Check with a qualified electrician or service representative or personnel if you are in doubt as to whether the dryer is properly grounded. Do not modify the plug provided with the dryer: if it will not fit the outlet, have a proper outlet installed by a qualified electrician.

### **SAVE THESE INSTRUCTIONS**



## Electrical Requirements – Electric Dryer (U.S.A. Only)

### It is your responsibility

- To contact a qualified electrical installer.
- To be sure that the electrical connection is adequate and in conformance with the National Electrical Code, ANSI/NFPA 70-latest edition and all local codes and ordinances.

The National Electrical Code requires a 4-wire power supply connection for homes built after 1996, dryer circuits involved in remodeling after 1996, and all mobile home installations.

A copy of the above code standards can be obtained from: National Fire Protection Association, One Batterymarch Park, Quincy, MA 02269.

- To supply the required 3 or 4 wire, single phase, 120/240 volt, 60 Hz., AC only electrical supply (or 3 or 4 wire, 120/208 volt electrical supply, if specified on the serial/rating plate) on a separate 30-amp circuit, fused on both sides of the line. A time-delay fuse or circuit breaker is recommended. Connect to an individual branch circuit. Do not have a fuse in the neutral or grounding circuit.
- Do not use an extension cord.
- If codes permit and a separate ground wire is used, it is recommended that a qualified electrician determine that the ground path is adequate.

### Electrical Connection

To properly install your dryer, you must determine the type of electrical connection you will be using and follow the instructions provided for it here.

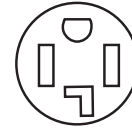
- This dryer is manufactured ready to install with a 3-wire electrical supply connection. The neutral ground conductor is permanently connected to the neutral conductor (white wire) within the dryer. If the dryer is installed with a 4-wire electrical supply connection, the neutral ground conductor must be removed from the external ground connector (green screw), and secured under the neutral terminal (center or white wire) of the terminal block. When the neutral ground conductor is secured under the neutral terminal (center or white wire) of the terminal block, the dryer cabinet is isolated from the neutral conductor.
- If local codes do not permit the connection of a neutral ground wire to the neutral wire, see “Optional 3-wire connection” section.
- A 4-wire power supply connection must be used when the appliance is installed in a location where grounding through the neutral conductor is prohibited. Grounding through the neutral is prohibited for (1) new branch-circuit installations, (2) mobile homes, (3) recreational vehicles, and (4) areas where local codes prohibit grounding through the neutral conductor.

### If using a power supply cord:

Use a UL listed power supply cord kit marked for use with clothes dryers. The kit should contain:

- A UL listed 30-amp power supply cord, rated 120/240 volt minimum. The cord should be type SRD or SRDT and be at least 4 ft (1.22 m) long. The wires that connect to the dryer must end in ring terminals or “U” shaped spade terminals with upturned ends.
- A UL listed strain relief.

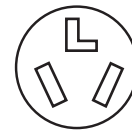
### If your outlet looks like this:



4-wire receptacle (14-30R)

Then choose a 4-wire power supply cord with ring or spade terminals and UL listed strain relief. The 4-wire power supply cord, at least 4 ft (1.22 m) long, must have four 10-gauge copper wires and match a 4-wire receptacle of NEMA Type 14-30R. The ground wire (ground conductor) may be either green or bare. The neutral conductor must be identified by a white cover.

### If your outlet looks like this:



3-wire receptacle (10-30R)

Then choose a 3-wire power supply cord with ring or spade terminals and UL listed strain relief. The 3-wire power supply cord, at least 4 ft (1.22 m) long, must have three 10-gauge copper wires and match a 3-wire receptacle of NEMA Type 10-30R.



**If connecting by direct wire:**

Power supply cable must match power supply (4-wire or 3-wire) and be:

- Flexible armored cable or nonmetallic sheathed copper cable (with ground wire), protected with flexible metallic conduit. All current-carrying wires must be insulated.
- 10-gauge solid copper wire (do not use aluminum).
- At least 5 ft (1.52 m) long.

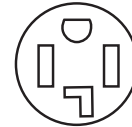
- To supply the required 4 wire, single phase, 120/240 volt, 60 Hz., AC only electrical supply on a separate 30-amp circuit, fused on both sides of the line. A time-delay fuse or circuit breaker is recommended. Connect to an individual branch circuit.
- This dryer is equipped with a CSA International Certified Power Cord intended to be plugged into a standard 14-30R wall receptacle. The cord is 5 ft (1.52 m) in length. Be sure wall receptacle is within reach of dryer’s final location.

**GROUNDING INSTRUCTIONS**

- For a grounded, cord-connected dryer:  
This dryer must be grounded. In the event of malfunction or breakdown, grounding will reduce the risk of electric shock by providing a path of least resistance for electric current. This dryer uses a cord having an equipment-grounding conductor and a grounding plug. The plug must be plugged into an appropriate outlet that is properly installed and grounded in accordance with all local codes and ordinances.
- For a permanently connected dryer:  
This dryer must be connected to a grounded metal, permanent wiring system, or an equipment-grounding conductor must be run with the circuit conductors and connected to the equipment-grounding terminal or lead on the dryer.

**WARNING:** Improper connection of the equipment-grounding conductor can result in a risk of electric shock. Check with a qualified electrician or service representative or personnel if you are in doubt as to whether the dryer is properly grounded. Do not modify the plug on the power supply cord: if it will not fit the outlet, have a proper outlet installed by a qualified electrician.

**SAVE THESE INSTRUCTIONS**



4-wire receptacle (14-30R)

- Do not use an extension cord.  
If you are using a replacement power supply cord, it is recommended that you use Power Supply Cord Replacement Part Number 8579325. The cord is 75.6" (1.92 m) in length. For further information, please reference the service numbers located in the “Assistance or Service” section.

**GROUNDING INSTRUCTIONS**

- For a grounded, cord-connected dryer:  
This dryer must be grounded. In the event of malfunction or breakdown, grounding will reduce the risk of electric shock by providing a path of least resistance for electric current. This dryer is equipped with a cord having an equipment-grounding conductor and a grounding plug. The plug must be plugged into an appropriate outlet that is properly installed and grounded in accordance with all local codes and ordinances.

**WARNING:** Improper connection of the equipment-grounding conductor can result in a risk of electric shock. Check with a qualified electrician or service representative or personnel if you are in doubt as to whether the dryer is properly grounded. Do not modify the plug provided with the dryer: if it will not fit the outlet, have a proper outlet installed by a qualified electrician.

**SAVE THESE INSTRUCTIONS**

**Electrical Requirements –  
Electric Dryer (Canada Only)**

**⚠ WARNING**



**Electrical Shock Hazard**

**Plug into a grounded 4 prong outlet.  
Failure to do so can result in death or electrical shock.**

**It is your responsibility**

- To contact a qualified electrical installer.
- To be sure that the electrical connection is adequate and in conformance with the Canadian Electrical Code, C22.1- latest edition and all local codes. A copy of the above codes standard may be obtained from: Canadian Standards Association, 178 Rexdale Blvd., Toronto, ON M9W 1R3 CANADA.

## Gas Supply Requirements

### **⚠ WARNING**



#### **Explosion Hazard**

**Use a new CSA International approved gas supply line.**

**Install a shut-off valve.**

**Securely tighten all gas connections.**

**If connected to LP, have a qualified person make sure gas pressure does not exceed 13" (330 mm) water column.**

**Examples of a qualified person include:**

**licensed heating personnel,  
authorized gas company personnel, and  
authorized service personnel.**

**Failure to do so can result in death, explosion, or fire.**

**IMPORTANT:** Observe all governing codes and ordinances.

This installation must conform with all local codes and ordinances. In the absence of local codes, installation must conform with American National Standard, National Fuel Gas Code ANSI Z223.1/NFPA 54 or CAN/CSA B149.

A copy of the above code standards can be obtained from:

National Fire Protection Association  
One Batterymarch Park, Quincy, MA 02269

CSA International  
8501 East Pleasant Valley Road  
Cleveland, Ohio 44131-5575

The design of this dryer has been certified by CSA International for use at altitudes up to 10,000 feet (3048 m) above sea level at the B.T.U. rating indicated on the model/serial plate. Burner input adjustments are not required when the dryer is operated up to this elevation.

When installed above 10,000 feet (3048 m), a four percent (4%) reduction of the burner B.T.U. rating shown on the model/serial plate is required for each 1,000 foot (305 m) increase in elevation. For assistance when converting to other gas types and/or installing above 10,000 feet (3048 m) elevation, contact your local service company.

### **Type of Gas**

This dryer is equipped for use with natural gas. It is design-certified by CSA International for LP (propane and butane) gases with appropriate conversion. No attempt shall be made to convert the dryer from the gas specified on the serial/rating plate for use with a different gas without consulting the serving gas supplier. Conversion must be done by a qualified service technician. Gas conversion kit part number is W10402145. This part number is also available on a label on the gas valve burner base.

### **Gas Supply Line**

#### **Recommended method**

- Provide a gas supply line of 1/2" rigid (IPS) pipe to the dryer location. Pipe joint compounds that resist the action of LP gas must be used. Do not use TEFLON<sup>†</sup> tape. With LP gas, piping or tubing size can be 1/2" minimum. Usually, LP gas suppliers determine the size and materials used in the system.

#### **Alternate method**

- The gas supply may also be connected using 3/8" approved copper or aluminum tubing. If the total length of the supply line is more than 20 ft. (6.1 m), larger tubing will be required. If using natural gas, do not use copper tubing. Pipe joint compounds that resist the action of LP gas must be used.

#### **Flexible metal appliance connector:**

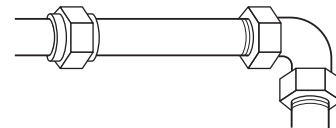
- It is recommended that a new flexible stainless steel gas line, design-certified by CSA International, be used for connecting the dryer to the gas supply line. (The gas pipe, which extends through the lower rear of the dryer, is provided with 3/8" male pipe thread.)



- Do not kink or damage the flexible stainless steel gas line when moving the dryer.

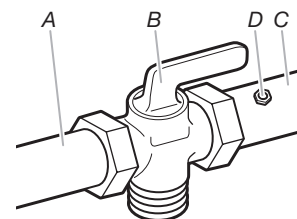
#### **Rigid pipe connection:**

The rigid pipe connection requires a combination of pipe fittings to obtain an in-line connection to the dryer.



- Must include a shutoff valve:

The supply line must be equipped with a manual shutoff valve installed within 6 ft. (1.8 m) of dryer in accordance with National Fuel Gas Code, ANSI Z223.1. In Canada, an individual manual shutoff valve must be installed in accordance with the B149 installation codes CAN/CGA B149.1 and CAN/CGA B149.2. This valve should be located in the same room as the dryer. It should be in a location that allows ease of opening and closing. Do not block access to shutoff valve. The valve is for turning on or shutting off gas to the dryer.



- A. Gas supply line
- B. Shutoff valve in "open" position
- C. To dryer
- D. NPT 1/8" min. plugged tapping

<sup>†</sup>TEFLON is a registered trademark of E.I. Du Pont De Nemours and Company.

- Installed in a confined area:

If the dryer is installed in a confined area such as a bathroom or closet, provision must be made for enough air for combustion and ventilation. Check governing codes and ordinances or refer to the "Recessed Area and Closet Installation Instructions" in the "Location Requirements" section.

### Gas Supply Pressure Testing

A 1/8" NPT minimum plugged tapping, accessible for gauge testing, must be installed immediately downstream of the installed shut-off valve to the dryer.

The dryer must be disconnected from the gas supply piping system during any pressure testing of the system at test pressures in excess of 1/2" psig.

The expected pressures for the gas supply are listed in Inches of Water Column in the table below:

	Minimum	Maximum
Natural Gas	5.2	10.5
LP Gas	8.0	13.0

## Venting Requirements

### ⚠ WARNING



#### Fire Hazard

**Use a heavy metal vent.**

**Do not use a plastic vent.**

**Do not use a metal foil vent.**

**Failure to follow these instructions can result in death or fire.**

**WARNING:** To reduce the risk of fire, this dryer MUST BE EXHAUSTED OUTDOORS.

**IMPORTANT:** Observe all governing codes and ordinances.

- The dryer exhaust must not be connected into any gas vent, chimney, wall, ceiling, attic, crawlspace, or a concealed space of a building. Only rigid or flexible vent shall be used for exhausting.
- Only a 4" (102 mm) heavy, metal exhaust vent and clamps may be used.
- Do not use an exhaust hood with a magnetic latch.
- Use clamps to seal all joints. Do not use screws or other fastening devices that extend into the interior of the duct and catch lint. Do not use duct tape.
- Do not use plastic or metal foil vent.

#### Rigid metal vent:

- Recommended for best drying performance and to avoid crushing and kinking.

#### Flexible metal vent (acceptable only if accessible to clean):

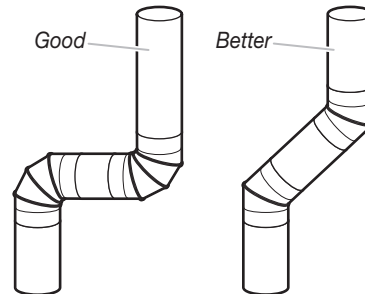
- Must be fully extended and supported in final dryer location.
- Remove excess to avoid sagging and kinking that may result in reduced airflow and poor performance.
- Do not install in enclosed walls, ceilings, or floors.
- The total length should not exceed 7¾ ft. (2.4 m).

An exhaust hood should cap the vent to prevent rodents and insects from entering the home or business.

Exhaust hood must be at least 12" (305 mm) from the ground or any object that may be in the path of the exhaust (such as flowers, rocks, or bushes).

If using an existing vent system, clean lint from the entire length of the system and make sure exhaust hood is not plugged with lint. Replace any plastic or metal foil vent with rigid metal or flexible metal vent.

Plan installation to use the fewest number of elbows and turns.



Allow as much room as possible when using elbows or making turns. Bend vent gradually to avoid kinking.

Vent outlet is located at the back of the dryer, at bottom center.

The vent can be routed up, down, left, right, behind the dryer, or straight out the back of the dryer. See "Product Dimensions" in the "Location Requirements" section.

#### Make-up air:

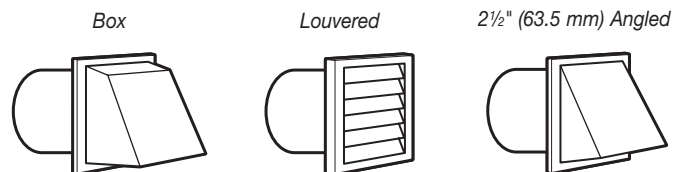
Although each single-load dryer should have an unobstructed outdoor air opening of 24 in<sup>2</sup> (154 cm<sup>2</sup>) (based on 1 square inch [6.5 cm<sup>2</sup>] per 1,000 Btu [252 kcal]), common make-up air openings are also acceptable. Set up common openings so that the make-up air is distributed equally to all of the dryers. Keep in mind that the coverage area must be increased by 33% to account for use of registers or louvers over the openings. Also, make-up air openings should not be installed near the location of exhaust vents exiting the building.

#### Vent System Length

Maximum length of vent system depends upon the type of vent used, number of elbows, and type of exhaust hood. The maximum length for rigid vent is shown in the chart.

#### Maximum Vent Length

##### 4" (102 mm) Diameter Exhaust Hoods



#### Vent System Chart (Rigid Metal Vent)

No. of 90° Turns	Box Hood and Louvered Style	Angled Hood Style
0	130 ft. (39.6 m)	129 ft. (39.3 m)
1	125 ft. (38.1 m)	119 ft. (36.3 m)
2	115 ft. (35.1 m)	109 ft. (33.2 m)
3	106 ft. (32.3 m)	100 ft. (30.5 m)
4	98 ft. (29.9 m)	92 ft. (28.0 m)

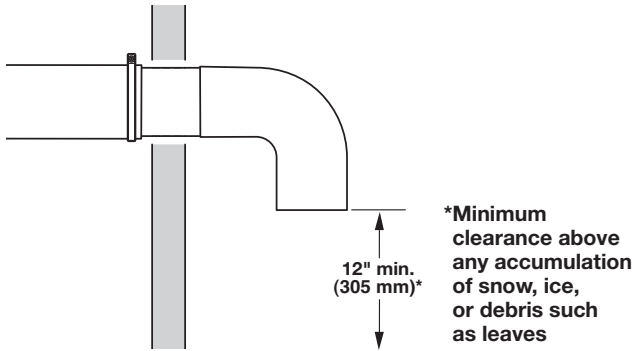
For vent systems not covered by the vent specification chart, see your parts distributor.

If dryer is installed in a confined area, such as a bedroom, bathroom, or closet, provision must be made for enough air for combustion and ventilation. (Check governing codes and ordinances.) See "Recessed Area and Closet Installation Instructions" in the "Location Requirements" section.

A 4" (102 mm) outlet hood is preferred. However, a 2½" (64 mm) outlet exhaust hood may be used. A 2½" (64 mm) outlet creates greater back pressure than other hood types. For permanent installation, a stationary vent system is required.

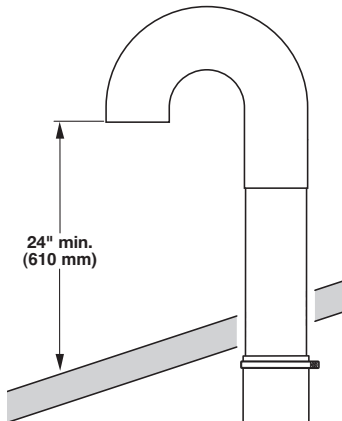
### If An Exhaust Hood Cannot Be Used

The outside end of the main vent should have a sweep elbow directed downward.



If the main vent travels vertically through the roof, rather than through the wall, install a 180° sweep elbow on the end of the vent at least 2 ft. (610 mm) above the highest part of the building. The opening in the wall or roof shall have a diameter 1/2" (13 mm) larger than the vent diameter. The vent should be centered in the opening.

Do not install screening or cap over the end of the vent.

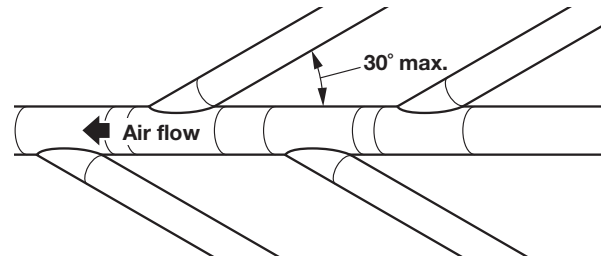


### Multiple Dryer Venting

- A main vent can be used for venting a group of dryers. The main vent should be sized to remove 200 CFM of air per dryer. Large-capacity lint screens of proper design may be used in the main vent if checked and cleaned frequently. The room where the dryers are located should have make-up air equal to or greater than the CFM of all the dryers in the room.
- A back-draft damper kit is needed and is available from a commercial laundry distributor; it should be installed in the vent of each dryer to prevent exhausted air from returning into the dryers and to keep the exhaust in balance within the main vent. Unobstructed return air openings are required.

Each vent should enter the main vent at an angle pointing in the direction of the airflow. Vents entering from the opposite side should be staggered to reduce the exhausted air from interfering with the other vents.

The maximum angle of each vent entering the main vent should be no more than 30°.



Keep air openings free of dry cleaning fluid fumes. Fumes create acids which, when drawn through the dryer heating units, can damage dryers and items being dried.

A clean-out cover should be located on the main vent for periodic cleaning of the vent system.

# INSTALLATION INSTRUCTIONS – GAS DRYER

## Make Gas Connection

### **⚠ WARNING**

#### **Excessive Weight Hazard**

**Use two or more people to move and install dryer.  
Failure to do so can result in back or other injury.**

1. Remove red cap from gas pipe.
2. Connect gas supply to dryer. Use pipe-joint compound resistant to the action of L.P. gas for gas connections. If flexible metal tubing is used, be certain there are no kinks. If necessary for service, open the toe panel by removing the 2¼" hex-head screws from the bottom of the panel. Then lift up on the panel while pulling the bottom of the panel away from the dryer.
3. Open the shutoff valve in the gas supply line.
4. Test all connections by brushing on an approved noncorrosive leak-detection solution. Bubbles will show a leak. Correct any leak found.

## Connect Vent

1. Using a 4" (102 mm) clamp, connect vent to exhaust outlet on the dryer. If connecting to existing vent, make sure the vent is clean. The dryer vent must fit over the dryer exhaust outlet and inside the exhaust hood. Make sure the vent is secured to exhaust hood with a 4" (102 mm) clamp.
2. Using two or more people, move dryer to desired installation location. Do not crush or kink vent, and remove any excess flexible vent to improve airflow. Make sure dryer is level.
3. Check to be sure there are no kinks in the flexible gas line.

## Complete Installation

1. With dryer in final position, place level on top of the dryer, first side to side; then front to back. If the dryer is not level, adjust the legs of the dryer up or down until the dryer is level.

### **⚠ WARNING**



#### **Electrical Shock Hazard**

**Plug into a grounded 3 prong outlet.**

**Do not remove ground prong.**

**Do not use an adapter.**

**Do not use an extension cord.**

**Failure to follow these instructions can result in death, fire, or electrical shock.**

2. Plug into a grounded 3 prong outlet.
3. Check dryer operation:  
Insert coins. Select a cycle. Using the WHITES & COLORS cycle, let the dryer run for at least five minutes. Dryer will stop when time is used up.  
**NOTE:** Dryer door must be closed for dryer to operate. When door is open, dryer stops, but timer continues to run. To restart dryer, close door and reselect a cycle.
4. If the burner does not ignite and there is no heat inside the dryer, shut off dryer for five minutes. Check that all gas supply valves are in the "ON" position and that the electrical cord is plugged in. Repeat five-minute test.
5. If drying time is too long, make sure that the lint screen is clean and that there are no obstructions to airflow in the dryer vent system.

# INSTALLATION INSTRUCTIONS – ELECTRIC DRYER

## Power Supply Cord (U.S.A. Only)

### **WARNING**



#### Fire Hazard

Use a new UL listed 30 amp power supply cord.

Use a UL listed strain relief.

Disconnect power before making electrical connections.

Connect neutral wire (white or center wire) to center terminal.

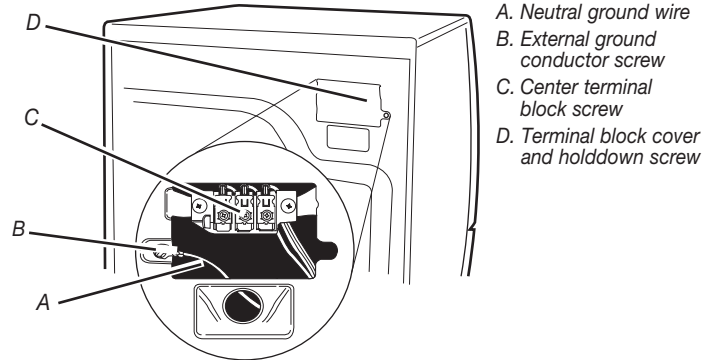
Ground wire (green or bare wire) must be connected to green ground connector.

Connect remaining 2 supply wires to remaining 2 terminals (gold).



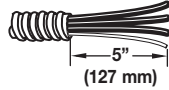
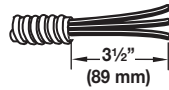
Securely tighten all electrical connections.

Failure to do so can result in death, fire, or electrical shock.

1. Disconnect power.
2. Remove the hold-down screw and terminal block cover.



3. Install strain relief.

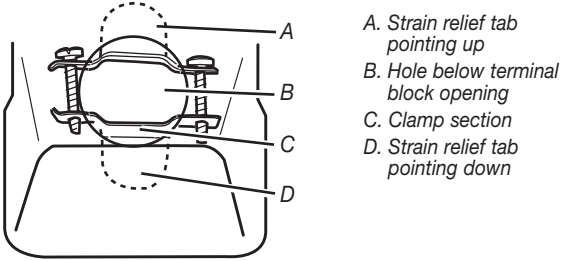
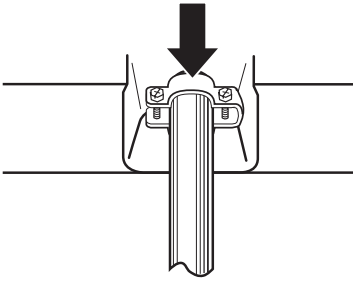
Electrical Connection Options			
If your location has:	And you will be connecting to:	Go to Section	
4-wire receptacle (NEMA Type 14-30R)		A UL listed, 120/240-volt minimum, 30-amp, dryer power supply cord*	4-wire connection: Power supply cord
3-wire receptacle (NEMA type 10-30R)		A UL listed, 120/240-volt minimum, 30-amp, dryer power supply cord*	3-wire connection: Power supply cord
4-wire direct		A fused disconnect or circuit breaker box*	4-wire connection: Direct Wire
3-wire direct		A fused disconnect or circuit breaker box*	3-wire connection: Direct Wire
*If local codes do not permit the connection of a cabinet-ground conductor to the neutral wire, go to "Optional 3-wire connection" section.			

**Power supply cord strain relief:**

- Remove the screws from a 3/4" (19 mm) UL listed strain relief (UL marking on strain relief). Put the tabs of the two clamp sections into the hole below the terminal block opening so that one tab is pointing up and the other is pointing down, and hold in place.

Tighten strain relief screws enough to hold the two clamp sections together.

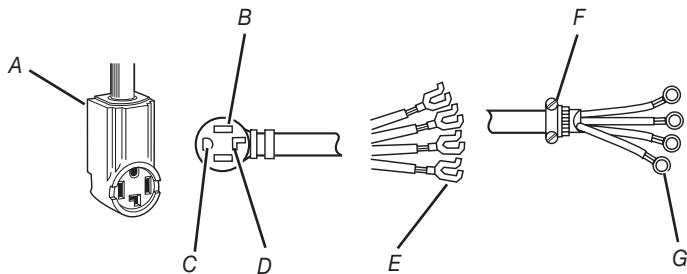
- Put power supply cord through the strain relief. Be sure that the wire insulation on the power supply cord is inside the strain relief. The strain relief should have a tight fit with the dryer cabinet and be in a horizontal position. Do not further tighten strain relief screws at this point.



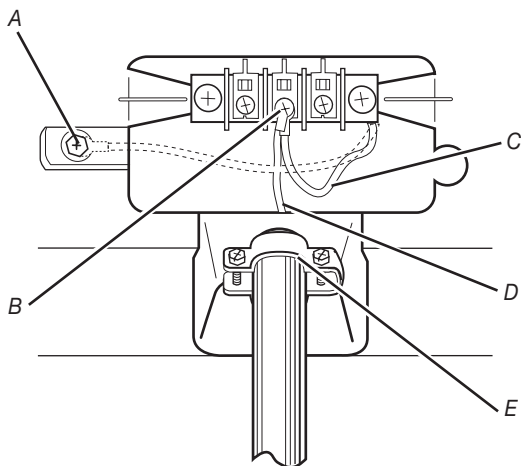
**Power supply cord,  
4-wire connection:**

**IMPORTANT:** A 4-wire connection is required for mobile homes and where local codes do not permit the use of 3-wire connections.



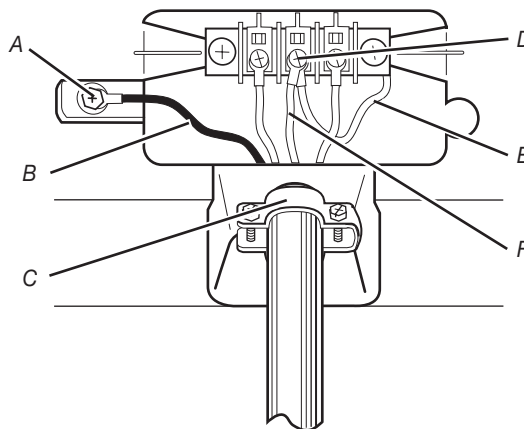
- A. 4-wire receptacle (NEMA type 14-30R)
- B. 4-prong plug
- C. Ground prong
- D. Neutral prong
- E. Spade terminals with upturned ends
- F. 3/4" (19 mm) UL listed strain relief
- G. Ring terminals

1. Remove center terminal block screw.
2. Remove neutral ground wire from external ground conductor screw. Connect neutral ground wire and the neutral wire (white or center wire) of power supply cord under center terminal block screw. Tighten screw.



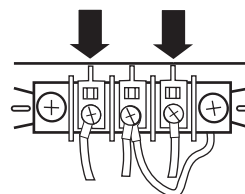
- A. External ground conductor screw - Dotted line shows position of NEUTRAL ground wire before being moved to center terminal block screw.
- B. Center terminal block screw
- C. Neutral ground wire
- D. Neutral wire (white or center wire)
- E. 3/4" (19 mm) UL listed strain relief

3. Connect ground wire (green or bare) of power supply cord to external ground conductor screw. Tighten screw.



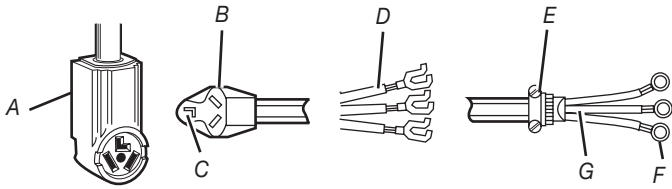
- A. External ground conductor screw
- B. Ground wire (green or bare) of power supply cord
- C. 3/4" (19 mm) UL listed strain relief
- D. Center terminal block screw
- E. Neutral ground wire
- F. Neutral wire (white or center wire)

4. Connect the other wires to outer terminal block screws. Tighten screws.

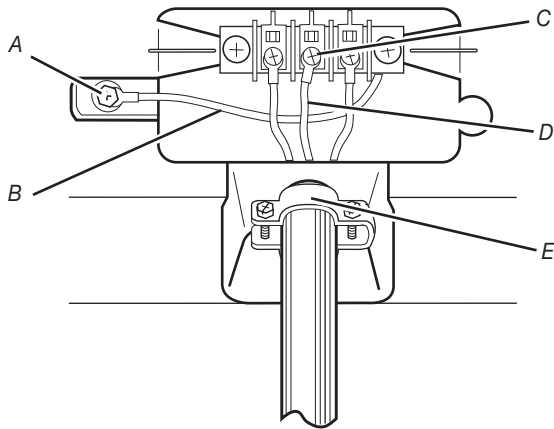


5. Tighten strain relief screws.
6. Insert tab of terminal block cover into slot of dryer rear panel. Secure cover with hold-down screw.
7. You have completed your electrical connection. Now go to "Venting Requirements."

**Power supply cord,  
3-wire connection:**



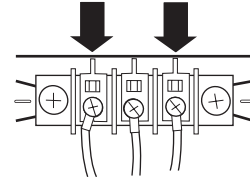
- A. 3-wire receptacle (NEMA type 10-30R)
- B. 3-wire plug
- C. Neutral prong
- D. Spade terminals with upturned ends
- E. 3/4" (19 mm) UL listed strain relief
- F. Ring terminals
- G. Neutral (white or center wire)



- A. External ground conductor screw
- B. Neutral ground wire
- C. Center terminal block screw
- D. Neutral wire (white or center wire)
- E. 3/4" (19 mm) UL listed strain relief

**Use where local codes permit connecting  
cabinet-ground conductor to neutral wire.**

1. Loosen or remove center terminal block screw.
2. Connect neutral wire (white or center wire) of power supply cord to the center terminal screw of the terminal block. Tighten screw.
3. Connect the other wires to outer terminal block screws. Tighten screws.



4. Tighten strain relief screws.
5. Insert tab of terminal block cover into slot of dryer rear panel. Secure cover with hold-down screw.
6. You have completed your electrical connection. Now go to "Venting Requirements."

## Direct Wire Method (U.S.A. Only)

### **⚠ WARNING**



#### Fire Hazard

**Use 10 gauge copper wire.**

**Use a UL listed strain relief.**

**Disconnect power before making electrical connections.**

**Connect neutral wire (white or center wire) to center terminal.**

**Ground wire (green or bare wire) must be connected to green ground connector.**

**Connect remaining 2 supply wires to remaining 2 terminals (gold).**

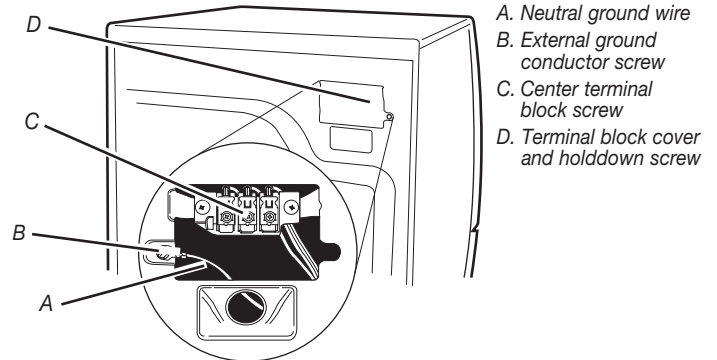
**Securely tighten all electrical connections.**

**Failure to do so can result in death, fire, or electrical shock.**

Direct wire cable must match power supply (4-wire or 3-wire) and be:

- Flexible armored cable or nonmetallic sheathed copper cable (with ground wire), protected with flexible metallic conduit. All current-carrying wires must be insulated.
- 10-gauge solid copper wire (do not use aluminum).
- At least 5 ft. (1.52 m) long.

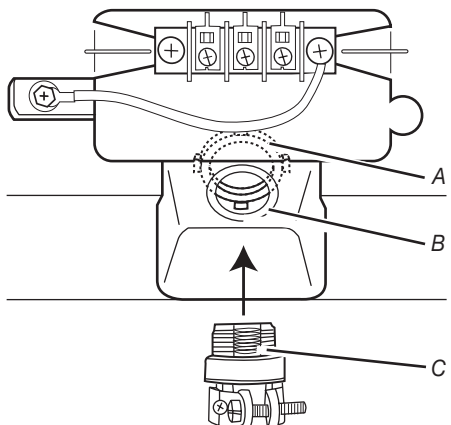
1. Disconnect power.
2. Remove hold-down screw and terminal block cover.



3. Install 3/4" conduit connector into the hole below the terminal block opening. Connect flexible metallic conduit and tighten connector screw. Install direct wire cable through the flexible metallic conduit.
4. Complete installation following instructions for your type of electrical connection:
  - Four-wire (recommended method)
  - Three-wire (if four-wire is not available)

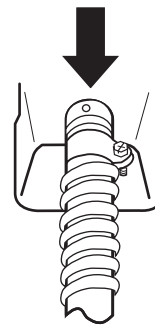
#### Direct wire strain relief:

- Unscrew the removable conduit connector and any screws from a 3/4" (19 mm) UL listed strain relief (UL marking on strain relief). Put the threaded section of the strain relief through the hole below the terminal block opening. Reaching inside the terminal block opening, screw the removable conduit connector onto the strain relief threads.



A. Removable conduit connector  
B. Hole below terminal block opening  
C. Strain relief threads

- Put direct wire cable through the strain relief. The strain relief should have a tight fit with the dryer cabinet and be in a horizontal position. Tighten strain relief screw against the direct wire cable.



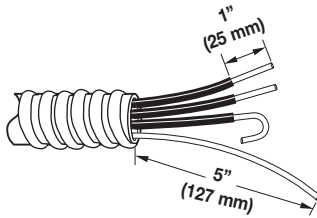
4. Now complete installation following instructions for your type of electrical connection:
  - 4-wire** (recommended)
  - 3-wire** (if 4-wire is not available)

**Direct Wire,  
4-wire connection:**

**IMPORTANT:** A 4-wire connection is required for mobile homes and where local codes do not permit the use of 3-wire connections.

Direct wire cable must have 5 ft (1.52 m) of extra length so dryer can be moved if needed.

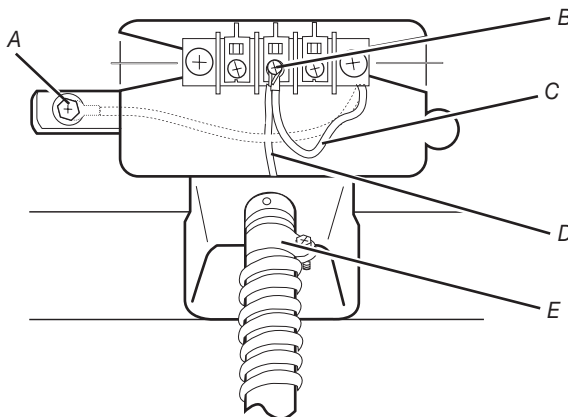
Strip 5" (127 mm) of outer covering from end of cable, leaving bare ground wire at 5" (127 mm). Cut 1½" (38 mm) from 3 remaining wires. Strip insulation back 1" (25 mm). Shape ends of wires into a hook shape.



When connecting to the terminal block, place the hooked end of the wire under the screw of the terminal block (hook facing right), squeeze hooked end together and tighten screw, as shown.

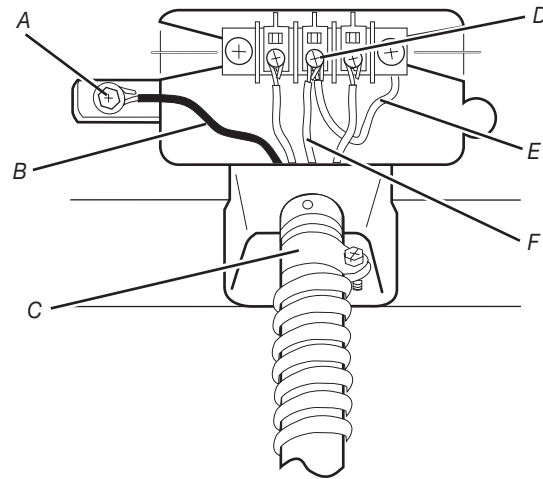


1. Remove center terminal block screw.
2. Remove neutral ground wire from external ground conductor screw. Connect neutral ground wire and place the hooked end (hook facing right) of the neutral wire (white or center wire) of direct wire cable under the center screw of the terminal block. Squeeze hooked ends together. Tighten screw.



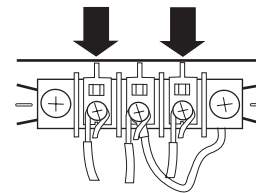
- A. External ground conductor screw - Dotted line shows position of NEUTRAL ground wire before being moved to center terminal block screw.  
 B. Center terminal block screw  
 C. Neutral ground wire  
 D. Neutral wire (white or center wire)  
 E. 3/4" (19 mm) UL listed strain relief

3. Connect ground wire (green or bare) of direct wire cable to external ground conductor screw. Tighten screw.



- A. External ground conductor screw  
 B. Ground wire (green or bare) of power supply cable  
 C. 3/4" (19 mm) UL listed strain relief  
 D. Center terminal block screw  
 E. Neutral ground wire  
 F. Neutral wire (white or center wire)

4. Place the hooked ends of the other direct wire cable wires under the outer terminal block screws (hooks facing right). Squeeze hooked ends together. Tighten screws.



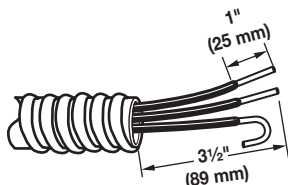
5. Tighten strain relief screw.
6. Insert tab of terminal block cover into slot of dryer rear panel. Secure cover with holddown screw.
7. You have completed your electrical connection. Now go to "Venting Requirements."

**Direct wire,  
3-wire connection:**

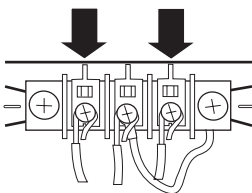
**Use where local codes permit connecting cabinet-ground conductor to neutral wire.**

Direct wire cable must have 5 ft (1.52 m) of extra length so dryer can be moved if needed.

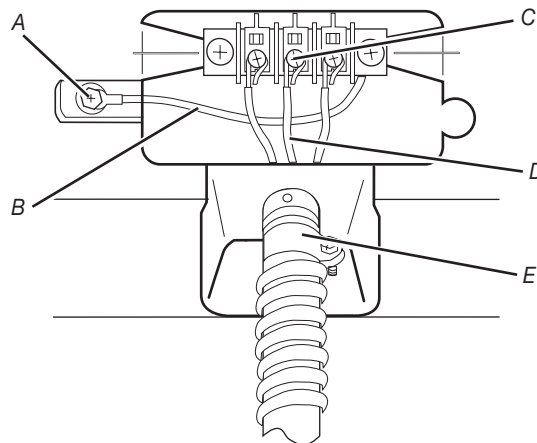
Strip 3½" (89 mm) of outer covering from end of cable. Strip insulation back 1" (25 mm). If using 3-wire cable with ground wire, cut bare wire even with outer covering. Shape ends of wires into a hook shape.



When connecting to the terminal block, place the hooked end of the wire under the screw of the terminal block (hook facing right), squeeze hooked end together, and tighten screw, as shown.



1. Loosen or remove center terminal block screw.
2. Place the hooked end of the neutral wire (white or center wire) of direct wire cable under the center screw of terminal block (hook facing right). Squeeze hooked end together. Tighten screw.



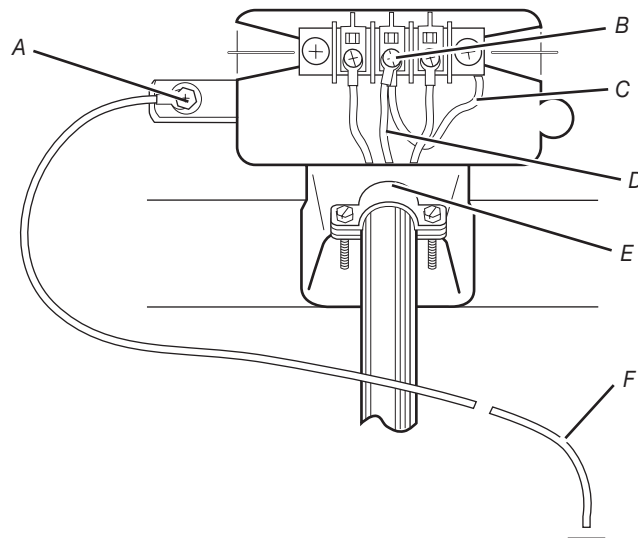
- A. External ground conductor screw
- B. Neutral ground wire
- C. Center terminal block screw
- D. Neutral wire (white or center wire)
- E. 3/4" (19 mm) UL listed strain relief

3. Place the hooked ends of the other direct wire cable wires under the outer terminal block screws (hooks facing right). Squeeze hooked ends together. Tighten screws.
4. Tighten strain relief screw.
5. Insert tab of terminal block cover into slot of dryer rear panel. Secure cover with holddown screw.
6. You have completed your electrical connection. Now go to "Venting Requirements."

### Optional, 3-wire connection:

Use for direct wire or power supply cord where local codes do not permit connecting cabinet-ground conductor to neutral wire.

1. Remove center terminal block screw.
2. Remove neutral ground wire from external ground conductor screw. Connect neutral ground wire and the neutral wire (white or center wire) of power supply cord/cable under center terminal block screw. Tighten screw.
3. Connect the other wires to outer terminal block screws. Tighten screws.
4. Tighten strain relief screws.
5. Connect a separate copper ground wire from the external ground conductor screw to an adequate ground.
6. Insert tab of terminal block cover into slot of dryer rear panel. Secure cover with holddown screw.



- A. External ground conductor screw  
B. Center terminal block screw  
C. Neutral ground wire  
D. Neutral wire (white or center wire)  
E. 3/4" (19 mm) UL listed strain relief  
F. Grounding path determined by a qualified electrician

## Connect Vent

### **⚠ WARNING**

#### Excessive Weight Hazard

Use two or more people to move and install dryer.  
Failure to do so can result in back or other injury.

1. Using a 4" (102 mm) clamp, connect vent to exhaust outlet in dryer. If connecting to existing vent, make sure the vent is clean. The dryer vent must fit over the dryer exhaust outlet and inside the exhaust hood. Make sure the vent is secured to exhaust hood with a 4" (102 mm) clamp.
2. Move dryer into final position. Do not crush or kink vent, and remove any excess flexible vent to improve airflow. Make sure dryer is level.

## Complete Installation

1. With dryer in final position, place level on top of the dryer, first side to side; then front to back. If the dryer is not level, adjust the legs of the dryer up or down until the dryer is level.

### **⚠ WARNING**



#### Electrical Shock Hazard

Plug into a grounded 4 prong outlet.  
Failure to do so can result in death or electrical shock.

2. Plug in dryer or reconnect power.
3. Check dryer operation:  
Insert coins. Select a cycle. Using the WHITES & COLORS cycle, let the dryer run for at least five minutes. Dryer will stop when time is used up.  
**NOTE:** Dryer door must be closed for dryer to operate. When door is open, dryer stops, but timer continues to run. To restart dryer, close door and reselect a cycle.
4. If drying time is too long, make sure that the lint screen is clean, and that there are no obstacles to airflow in the dryer vent system.
5. Now start the dryer and allow it to complete a full cycle to make sure it is working properly.

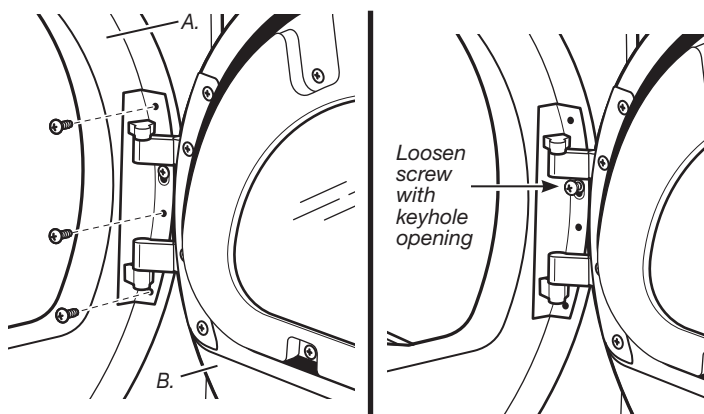
# REVERSING THE DOOR SWING

Door swing can be changed from a right-side opening to left-side opening, if desired.

Place a towel or soft cloth on top of the dryer or workspace to prevent scratching the surface.

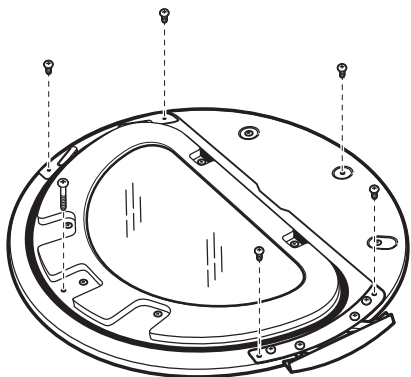
## Remove the Door Assembly

1. Remove 3 of the 4 screws that hold the door hinge on the front panel of the dryer. Partially loosen the remaining screw with keyhole opening and lift the door off the screw.

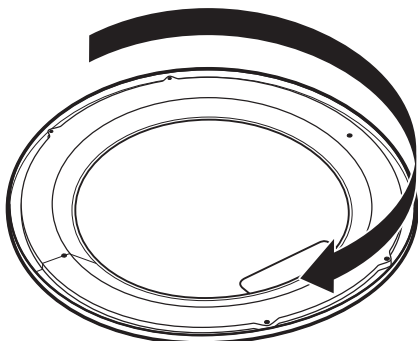


A. Dryer front panel  
B. Door assembly

2. Lay the door assembly on a previously prepared flat surface with the inside (inner door assembly) facing up.
3. Remove the 6 Phillips head screws to release the outer door assembly from the inner door assembly, as indicated below. See illustration. It is important that you remove only the 6 indicated screws.

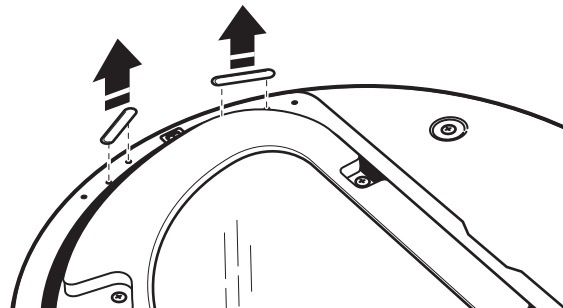


4. Lift the inner door assembly off the outer door assembly.
5. Rotate outer door 180°.

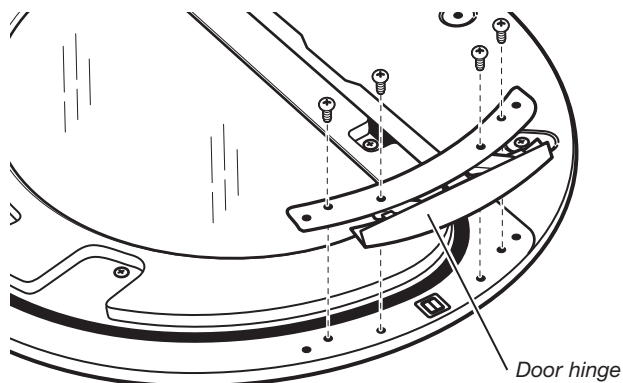


## Reverse Hinge

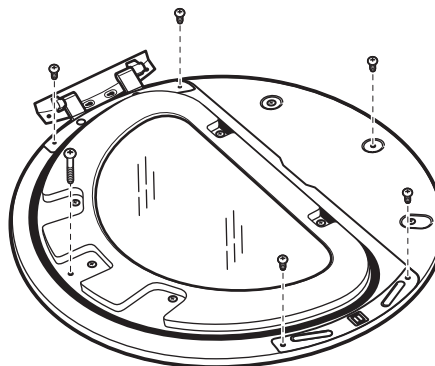
1. Use a small flat-blade screwdriver to remove 2 plug strips from the inner door. Slide the head of the screwdriver under the plugs, being certain not to scratch the inner door surface. Lift up.



2. Remove the 4 screws that attach to the inner door hinge and move the hinge to the other side. Reinstall the 4 screws.



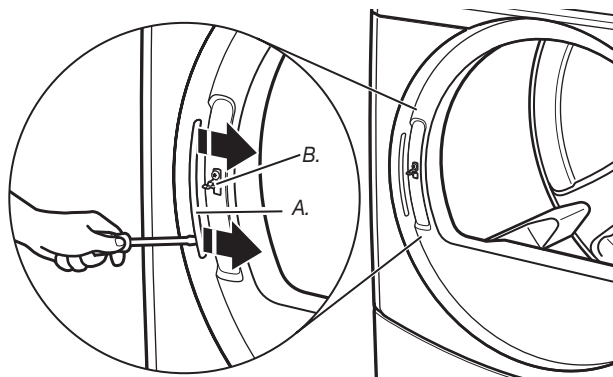
3. Reinstall plug strips on opposite side of the inner door.
4. Check for fingerprints on the glass. Clean glass if necessary.
5. Place the inner door assembly inside the outer door assembly. To fit correctly, the inner door assembly edge fits completely inside the outer door assembly edge.
6. Reassemble the inner and outer door assemblies with the 6 screws.





## Reverse The Strike

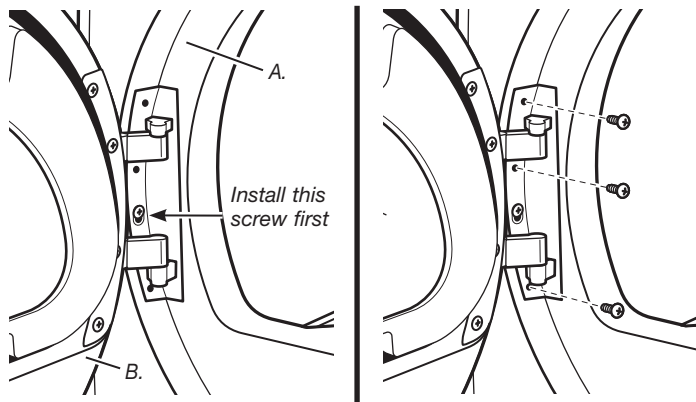
1. Use a small flat-blade screwdriver to remove plug strip from the dryer door opening. Slide the head of the screwdriver under the plugs, being certain not to scratch the dryer surface. Lift the plastic strip from the dryer slowly to prevent distortion of the plug strip.
2. Remove the strike using a Phillips screwdriver.
3. Insert strike on the opposite side.



A. Plug strip  
B. Door strike

## Reinstall The Door

1. Reattach door to dryer front panel with the 4 screws. Partially install the screw with keyhole opening first, and fit the keyhole opening in the hinge over the screw. Then install the remaining 3 screws and tighten all 4 screws.



A. Dryer front panel  
B. Door assembly

2. Check for fingerprints on the glass. Clean glass if necessary.
3. Close door and check that it latches securely.

## MAINTENANCE INSTRUCTIONS

### Maintenance instructions:

- Clean lint screen after each cycle.
- Removing accumulated lint:
  - From inside the dryer cabinet:  
Lint should be removed every 2 years or more often, depending on dryer usage. Cleaning should be done by a qualified person.
  - From the exhaust vent:  
Lint should be removed every 2 years, or more often, depending on dryer usage.
- Keep area around dryer clear and free from combustible materials, gasoline, and other flammable vapors and liquids.
- Keep dryer area clear and free from items that would obstruct the flow of combustion and ventilation air.

### If dryer does not operate, check the following:

- Electrical supply is connected.
- Circuit breaker is not tripped or house fuse is not blown.
- Door is closed. Listen closely to hear the door switch activate.
- Control is set up properly and display shows cycle time.
- Cycle selection button has been pushed firmly.
- For gas dryers, check that gas supply shutoff valves are set in open position.

### If you need assistance:

Contact your authorized Maytag® Commercial Laundry distributor. To locate your authorized Maytag® Commercial Laundry distributor, or for web inquiries, visit [www.MaytagCommercialLaundry.com](http://www.MaytagCommercialLaundry.com).

If you cannot locate your distributor, the Commercial Laundry Support Center will answer any questions about operating or maintaining your dryer not covered in the Installation Instructions. Just dial 1-800 NO BELTS (1-800-662-3587)—the call is free.

When you call, you will need the dryer model number and serial number. Both numbers can be found on the serial-rating plate located in the dryer door opening.

# ELECTRONIC CONTROL SETUP

## GENERAL USER INFORMATION

### Scrolling “out of order” showing in display, followed by a failure code

This condition indicates the dryer is inoperative.

### ‘0 Minutes’ showing in display

This condition indicates the dryer cannot be operated. Coins dropped or debit inputs during this condition will be stored in escrow but cannot be used until normal operation is restored by opening and closing the door. If the door switch fails, it must be replaced before normal operation can be restored.

### Cold Start (initial first use)

Dryer is programmed at the factory as follows:

- 45 minutes dry time for PR models.
- 5 minutes per quarter for PD models.
- \$1.50 dry price (fixed cycle with top off – PD Models).
- \$0.00 dry price (fixed cycle – PR Models).

### Warm Start (after power failure)

A few seconds after power is restored, if a cycle was in progress at the time of the power failure, ‘RESELECT CYCLE’ will flash in the display. This is to indicate the need for a fabric setting key pad to be pressed to restart dryer.

### Pricing

After the door is opened and closed following the completion of a cycle, the display indicates the cycle price (unless set for free operation). As coins or debit inputs arrive, the display will change to lead the user through the initiation of a cycle.

There are four (4) types of pricing:

#### Fixed ‘Vend’ Pricing

A dryer set up for ‘Fixed Cycle’ operation can only accept additional time accumulated by increments equal to the length of a complete dry cycle. A maximum of 99 minutes may be purchased; no additional credit is given when 99 minutes is in the display.

#### Accumulator Pricing

If the price is set to one coin 1, then accumulator mode is in effect. Cycle time can be purchased one coin at a time (PD models) up to the maximum time of 99 minutes.

#### Fixed Cycle With Top Off Pricing

A dryer set to offer ‘Top Off’ capability will allow time to be added to an existing dry cycle in increments equal to the number of minutes of dry time per quarter (coin 1), up to 99 minutes, regardless of the cost required to start the dryer. No credit is given for coins or debit inputs entered when the control is displaying 99 minutes.

PR Models: In Enhanced Debit Mode, the top off price can be set independently (see VALUE OF COIN 2), and the top off time is calculated according to the following equation:

$$\frac{\text{top off price}}{\text{full cycle price}} = \frac{\text{top off time}}{\text{full cycle length}}$$

Penny increment offset is not applied to top off purchases.

#### Free Cycles

This is established by setting the cycle price to zero. When this happens, ‘SELECT CYCLE’ will appear rather than a cycle price. Any cycle started as a free cycle will automatically terminate when the door is opened.

#### Debit Card Ready

This dryer is debit card ‘cable’ ready. It will accept a variety of debit card systems, but does NOT come with a debit card reader. Refer to the debit card reader manufacturer for proper dryer set-up. In models converted to a Generation 1 debit card system, debit pulses represent the equivalent of one coin (coin 1).

## CONTROL SET-UP PROCEDURES

**IMPORTANT:** Read all instructions before operating.

The fabric setting key pads along with the digital display are used to set-up the dryer controls.

The display can contain 4 numbers and/or letters and a decimal point. These are used to indicate the set-up codes and related code values available for use in programming the dryer.

### How to use the key pads to program the controls

1. The WHITES & COLORS key pad is used to adjust the values associated with set-up codes. Pressing and releasing this key pad will increment the value by one (1). Rapid adjustment is possible by holding the key pad down.
2. The PERM. PRESS key pad will advance through the set-up codes. Pressing and releasing this key pad will advance to the next available set-up code. Holding the key pad down will automatically advance through the set-up codes at a rate of one (1) per second.
3. The DELICATES key pad is used to select or deselect options.

### Start Operating Set-Up

- PD Models: Insert service access door key, turn, and lift to remove service access door.
- PR Models: Once a Gen. 2 debit card reader is installed (according to the reader manufacturer’s instructions), the set-up mode can be entered by inserting a manual set-up card (supplied by the reader manufacturer) into the card slot. If manual set-up card is not available, manual set-up mode cannot be entered. However, diagnostic mode can be entered by removing connector AA1 on the circuit board.

**IMPORTANT:** The console must not be opened unless power is first disconnected from the dryer. To access connector AA1:

→ Unplug dryer or disconnect power.

→ Open console, disconnect jumper on AA1, close console.

→ Plug in dryer or reconnect power.

- PR Models Set-up as PN can use the **Service Access Code**. This code can be entered to access service mode without removing the console. It only functions on dryers set up for 0 vend price without any Special Pricing set-up, and the Coin/Debit Option must be set to “J\_d”.

The alternative Service Access Code to enter set-up mode is:  
Press the left key pad, right key pad, left key pad, right key pad, and right key pad.

The dryer is now in the set-up mode.

**NOTE:** Prior to operation, a payment system or an OPL kit must be installed.

Before proceeding, it is worth noting that, despite all the options available, an owner can simply choose to uncrate a new commercial dryer, hook it up, plug it in, and have a dryer that operates.

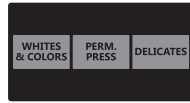
- PD dryers have a factory default of fixed cycle price with top off.
- PR dryers have a factory default of free cycle operation so they can be run without readers or coins.

## DISPLAY

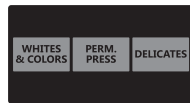
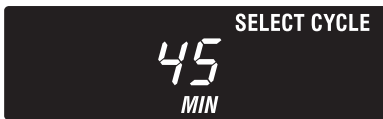
After the dryer has been installed and plugged in, the display will show '0 minutes.'

Once the dryer has been plugged in and the dryer door opened and closed, the display will show the price. In PR models set for free cycles, the display will flash 'SELECT CYCLE' and the cycle time.

### PD Models



### PR Models



## SET-UP CODES

The set-up code is indicated by the one or two left hand characters. The set-up code value is indicated by the two or three right hand characters.

**NOTE:** The first line of each code indicates the factory default for PD models. The set-up codes for PR models are the same except where noted.

CODE	EXPLANATION
<u>606</u>	<b>REGULAR CYCLE PRICE</b>
<u>606</u>	Represents the number of quarters (coin 1) needed to start the dryer; may adjust from 0-39 (See b.xx set-up for VALUE OF COIN 1). Advance from 0-39 by pressing WHITES & COLORS. Factory default of 6 quarters = \$1.50.
<u>600</u>	PR MODELS: Factory default of 6 00, or 0 quarters. → Press PERM. PRESS key pad once to advance to next code.
<u>705</u>	<b>REGULAR DRY TIME</b>
<u>705</u>	PD MODELS: Represents the number of minutes per quarter (coin 1). Factory default of 5 minutes per coin. Example: 6 quarters x 5 minutes = 30 minutes. By pressing the WHITES & COLORS key pad, value adjusts from 1-99 minutes.
<u>745</u>	PR MODELS: Represents the cycle length for free cycles. As example: '7 45' = 45 minutes. → Press PERM. PRESS key pad once to advance to next code.
<u>800</u>	<b>TYPE OF DRYER PRICING</b>
<u>800</u>	Fixed Cycle with Top Off. For detailed description, see General User Information.
<u>8FC</u>	PR MODELS ONLY: Factory default of FC. Fixed Cycle. For detailed description, see General User Information. Use DELICATES key pad to make this selection. → Press PERM. PRESS key pad once to advance to next code.
<u>900</u>	<b>CYCLE COUNTER OPTION</b> This option is either Selected 'ON' or Not Selected 'OFF'.
<u>900</u>	Not Selected 'OFF'.
<u>90C</u>	Selected 'ON' and not able to be deselected. Press DELICATES key pad 3 consecutive times to select 'ON'. Once selected 'ON' it cannot be deselected. → Press PERM. PRESS key pad once to advance to next code.

CODE	EXPLANATION
<u>100</u>	<b>MONEY COUNTER OPTION</b> This option is either Selected 'ON' or Not Selected 'OFF'.
<u>100</u>	Not Selected 'OFF'.
<u>10C</u>	Selected 'ON'. Press DELICATES key pad 3 consecutive times to select 'ON' and 3 consecutive times to remove (Not Selected 'OFF'.) Counter resets by going from 'OFF' to 'ON'.
<u>1C0</u>	Selected 'ON' and not able to be deselected. To select 'ON' and not able to be deselected, first select 'ON', then within two seconds press DELICATES twice, WHITES & COLORS once, and exit the set-up mode. → Press PERM. PRESS key pad once to advance to next code.
<u>200</u>	<b>SPECIAL PRICING OPTIONS</b> This option is either Selected 'ON' or Not Selected 'OFF'.
<u>200</u>	Not Selected 'OFF'.
<u>25P</u>	Selected 'ON'. Press DELICATES key pad once for this selection.
<b>If SPECIAL PRICING OPTION is selected, there is access to codes '3.' through '9.'</b> → Press PERM. PRESS key pad once to advance to next code.	

OPTIONS TO USE IF SPECIAL PRICING IS SELECTED:	
<u>306</u>	<b>SPECIAL CYCLE PRICE</b>
<u>306</u>	Represents the number of quarters (coin 1) needed to start the dryer; may adjust from 0-39. (See b.xx set-up for VALUE OF COIN 1). Advance from 0-39 by pressing WHITES & COLORS. Factory default of 6 quarters = \$1.50.
<u>300</u>	PR MODELS: Factory default of 0 quarters. → Press PERM. PRESS key pad once to advance to next code.
<u>405</u>	<b>SPECIAL DRY TIME</b>
<u>405</u>	PD MODELS: Represents the number of minutes per quarter (coin 1). Factory default of 5 minutes per coin. Example: 6 quarters x 5 minutes = 30 minutes. By pressing the WHITES & COLORS key pad, the value can be adjusted from 1-99 minutes.
<u>445</u>	PR MODELS: Represents the fixed cycle time in minutes. As example: '4 45' = 45 minutes. → Press PERM. PRESS key pad once to advance to next code.
<u>500</u>	<b>TIME-OF-DAY CLOCK, MINUTES</b>
<u>500</u>	This is the TIME-OF-DAY CLOCK, minute setting; select 0-59 minutes by pressing WHITES & COLORS key pad. → Press PERM. PRESS key pad once to advance to next code.
<u>600</u>	<b>TIME-OF-DAY CLOCK, HOURS</b> <b>NOTE:</b> Uses military time – 24 hr. clock.
<u>600</u>	This is the TIME-OF-DAY CLOCK, hour setting; select 0-23 hours by pressing WHITES & COLORS key pad. → Press PERM. PRESS key pad once to advance to next code.

CODE	EXPLANATION																								
<b>OPTIONS TO USE IF SPECIAL PRICING IS SELECTED (continued):</b>																									
<u>7.00</u>	<b>SPECIAL PRICE START HOUR</b> <b>NOTE:</b> Uses military time – 24 hr. clock.																								
<u>7.00</u>	This is the start hour, 0-23 hours. Select START HOUR by pressing WHITES & COLORS key pad. → Press PERM. PRESS key pad once to advance to next code.																								
<u>8.00</u>	<b>SPECIAL PRICE STOP HOUR</b> <b>NOTE:</b> Uses military time – 24 hr. clock.																								
<u>8.00</u>	This is the stop hour; 0-23 hours. Select STOP HOUR by pressing WHITES & COLORS key pad. → Press PERM. PRESS key pad once to advance to next code.																								
<u>9.10</u>	<b>SPECIAL PRICE DAY</b>																								
<u>9.10</u>	This represents the day of the week and whether special pricing is selected for that day. A number followed by '0' indicates no selection that particular day (9.10). A number followed by an 'S' indicates selected for that day (9.1S). Days of week (1-7) can be chosen by pressing the WHITES & COLORS key pad. Press DELICATES key pad once to select special pricing for each day chosen. When exiting setup code '9.', the display must show current day of week: <table border="1" style="width: 100%; border-collapse: collapse;"> <thead> <tr> <th>DISPLAY</th> <th>DAY OF WEEK</th> <th>CODE (selected)</th> </tr> </thead> <tbody> <tr> <td>10</td> <td>Day 1 = Sunday</td> <td>1S</td> </tr> <tr> <td>20</td> <td>Day 2 = Monday</td> <td>2S</td> </tr> <tr> <td>30</td> <td>Day 3 = Tuesday</td> <td>3S</td> </tr> <tr> <td>40</td> <td>Day 4 = Wednesday</td> <td>4S</td> </tr> <tr> <td>50</td> <td>Day 5 = Thursday</td> <td>5S</td> </tr> <tr> <td>60</td> <td>Day 6 = Friday</td> <td>6S</td> </tr> <tr> <td>70</td> <td>Day 7 = Saturday</td> <td>7S</td> </tr> </tbody> </table>	DISPLAY	DAY OF WEEK	CODE (selected)	10	Day 1 = Sunday	1S	20	Day 2 = Monday	2S	30	Day 3 = Tuesday	3S	40	Day 4 = Wednesday	4S	50	Day 5 = Thursday	5S	60	Day 6 = Friday	6S	70	Day 7 = Saturday	7S
DISPLAY	DAY OF WEEK	CODE (selected)																							
10	Day 1 = Sunday	1S																							
20	Day 2 = Monday	2S																							
30	Day 3 = Tuesday	3S																							
40	Day 4 = Wednesday	4S																							
50	Day 5 = Thursday	5S																							
60	Day 6 = Friday	6S																							
70	Day 7 = Saturday	7S																							
→ Press PERM. PRESS key pad once to advance to next code.																									

<u>R.00</u>	<b>VAULT VIEWING OPTION</b> This option is either Selected 'ON' or Not Selected 'OFF'.
<u>R.00</u>	Not Selected 'OFF'.
<u>R.5C</u>	Selected 'ON'. Press DELICATES key pad once for this selection. When selected, the money and/or cycle counts will be viewable (if counting is selected) when the coin box is removed. → Press PERM. PRESS key pad once to advance to next code.
<u>b.05</u>	<b>VALUE OF COIN 1</b>
<u>b.05</u>	This represents the value of coin 1 in number of nickels. 05 = \$0.25. By pressing WHITES & COLORS key pad, there is the option of 1-199 nickels. With coin slide activation, this represents the total vend price in nickels. Example: b.30 = \$1.50. → Press PERM. PRESS key pad once to advance to next code.
<u>C.20</u>	<b>VALUE OF COIN 2</b>
<u>C.20</u>	PD MODELS: This represents the value of coin 2 in number of nickels. 20 = \$1.00. By pressing WHITES & COLORS key pad, there is the option of 1-199 nickels.
<u>C.05</u>	PR MODELS: For models using Enhanced Debit, this field represents the value of top off in nickels, or \$.25. Factory default of C.05; represents 5 x \$.05, or \$.25. → Press PERM. PRESS key pad once to advance to next code.

CODE	EXPLANATION
<u>d.00</u>	<b>COIN SLIDE OPTION</b> This option is either Selected 'ON' or Not Selected 'OFF'. Replacement of metercase will be needed for coin slide mounting.
<u>d.00</u>	Not Selected 'OFF'.
<u>d.CS</u>	Selected 'ON'. <b>NOTE:</b> This option needs to be set to '00' unless the metercase has been changed to accept a coin slide device. Press DELICATES key pad 3 consecutive times for this selection. When coin slide mode is selected, set 'b.' equal to value of vend price in nickels. Set '6 XX' (REGULAR CYCLE PRICE) and '3.XX' (SPECIAL CYCLE PRICE) to number of slide operations. <b>NOTE:</b> If the installer sets up 'CS' on a coin drop model, the dryer will not register coins inserted. → Press PERM. PRESS key pad once to advance to next code.
<u>E.00</u>	<b>ADD COINS OPTION</b> This option is either Selected 'ON' or Not Selected 'OFF'. This option causes the customer display to show the number of coins (coin 1) to enter, rather than the dollars-and-cents amount.
<u>E.00</u>	Not Selected 'OFF'.
<u>E.AC</u>	Selected 'ON'. Press DELICATES key pad 3 consecutive times for this selection. PR MODELS: In enhanced debit mode, this option is not selectable. → Press PERM. PRESS key pad once to advance to next code.
<u>J.Ed</u>	<b>COIN/DEBIT OPTION</b>
<u>J.Ed</u>	Both coin & debit selected. Press DELICATES key pad 3 consecutive times to change this selection.
<u>J.C_</u>	Coins selected, debit disabled. Press DELICATES key pad 3 consecutive times to change this selection.
<u>J._d</u>	Debit Card selected, coin disabled. This is the factory default for PR models. PR SET UP AS PN MODELS ONLY: Must be set for '_d.' Press DELICATES key pad 3 consecutive times to change this selection.
<u>J.Ed</u>	Enhanced debit is self-selected when a Generation 2 card reader is installed in the dryer. The 'Ed' option cannot be manually selected or deselected. → Press PERM. PRESS key pad once to advance to next code.
<u>L.00</u>	<b>PRICE SUPPRESSION OPTION</b> This option is either Selected 'ON' or Not Selected 'OFF'. This option causes the customer display to show 'AVAILABLE' or 'ADD' rather than the amount of money to add. (Used mainly in debit installations.)
<u>L.00</u>	Not Selected 'OFF'.
<u>L.P5</u>	Selected 'ON'. Press DELICATES key pad once for this selection. → Press PERM. PRESS key pad once to advance to next code.
<u>n.CE</u>	<b>CLEAR ESCROW OPTION</b> This option is either Selected 'ON' or Not Selected 'OFF'. When selected, money held in escrow for 30 minutes without further escrow or cycle activity will be cleared.
<u>n.CE</u>	Selected 'ON'.
<u>n.00</u>	Not Selected 'OFF'. Press DELICATES key pad once to deselect this option. → Press PERM. PRESS key pad once to advance to next code.
<u>U.00</u>	<b>PENNY INCREMENT OFFSET</b>
<u>U.00</u>	This represents the penny increment price offset used in Generation 2 (Enhanced Debit) PR models. Choose from 0-4 pennies by pressing the WHITES & COLORS key pad. → Press PERM. PRESS key pad once to advance to next code.

---

**If cycle counter (9 0C) is selected, the following is true:**

1 00 Represents the number of cycles in HUNDREDS. 1 02 = 200

2 00 Represents the number of cycles in ONES. 2 25 = 25

TOTAL CYCLES = 225

This is 'VIEW ONLY' and cannot be cleared.

Press the PERM. PRESS button once to advance to next code.

---

**If money counter (1.0C or 1.C0) is selected, the following is true:**

3 00 Number of dollars in HUNDREDS. 3 01 = 100.00

4 00 Number of dollars in ONES. 4 68 = 68.00

5 00 Number of CENTS. 5 75 = 00.75

TOTAL = \$168.75

---

**END OF SET-UP PROCEDURES**

---

**EXIT FROM SET-UP MODE**

- PD MODELS: Reinstall service access door.
- PR MODELS: Remove set-up card.
- PR MODELS where AA1 connector was removed:
  1. Unplug dryer or disconnect power.
  2. Open console, reinsert jumper into AA1, close console.
  3. Plug in dryer or reconnect power.
- PR MODELS WHERE SERVICE ACCESS CODE WAS USED:

Set-up mode can be exited by using procedures from Service Access Code (see page 24).

  - Wait for 2 minutes without activating any dryer inputs.
  - Disconnect and then re-connect power.



# MAYTAG® COMMERCIAL WASHER, DRYER, STACKED DRYER/DRYER, COMMERCIAL STACK LAUNDRY, AND MULTI-LOAD COIN OPERATED COMMERCIAL WASHERS AND DRYERS WARRANTY

---

## LIMITED WARRANTY (PARTS ONLY – LABOR NOT INCLUDED)

For the first five years from the original date of purchase, when this commercial appliance is installed, maintained, and operated according to the instructions attached to or furnished with the product, Maytag brand of Whirlpool Corporation (hereafter “Maytag”) will pay for factory specified replacement parts to correct defects in materials or workmanship that existed when this commercial appliance was purchased. This limited warranty does not include labor.

YOUR SOLE AND EXCLUSIVE REMEDY UNDER THIS LIMITED WARRANTY SHALL BE PRODUCT REPAIR AS PROVIDED HEREIN. Maytag recommends that you use an “in network” service provider to diagnose and repair your Commercial Laundry product. Maytag will not be responsible under this warranty to provide additional replacement parts as a result of incorrect diagnosis or repair by an “out of network” service company. This limited warranty is valid in the United States or Canada and applies only when the commercial appliance is used in the country in which it was purchased. This limited warranty is effective from the date of the original consumer purchase. Proof of original purchase date is required to obtain service under this limited warranty.

---

## ITEMS EXCLUDED FROM WARRANTY

### This limited warranty does not cover:

1. All other costs including labor, transportation, shipping, or custom duties for covered parts.
2. Factory specified replacement parts if this commercial appliance is used for other than normal, commercial use or when it is used in a manner that is inconsistent to published user or operator instructions and/or installation instructions.
3. Service calls to correct the installation of your commercial appliance, to instruct you on how to use your commercial appliance, to replace or repair house fuses, or to correct external wiring or plumbing.
4. Damage resulting from improper handling of product during delivery, theft, accident, alteration, misuse, abuse, fire, flood, acts of God, improper installation, installation not in accordance with local electrical or plumbing codes, or use of products not approved by Maytag.
5. Pick up and delivery. This commercial appliance is designed to be repaired on location.
6. Repairs to parts or systems resulting from unauthorized modifications made to the commercial appliance.
7. The removal and reinstallation of your commercial appliance if it is installed in an inaccessible location or is not installed in accordance with published installation instructions.
8. Damage resulting from exposure to chemicals.
9. Changes to the building, room, or location needed in order to make the commercial appliance operate correctly.
10. Factory specified replacement parts on commercial appliances with original model/serial numbers that have been removed, altered, or cannot be easily determined.
11. Discoloration, rust, or oxidation of stainless steel surfaces.
12. Factory specified replacement parts as a result of incorrect diagnosis or repair by an “out of network” service company.

**The cost of repair or replacement under these excluded circumstances shall be borne by the customer.**

---

## DISCLAIMER OF IMPLIED WARRANTIES

IMPLIED WARRANTIES, INCLUDING ANY IMPLIED WARRANTY OF MERCHANTABILITY OR IMPLIED WARRANTY OF FITNESS FOR A PARTICULAR PURPOSE, ARE LIMITED TO ONE YEAR OR THE SHORTEST PERIOD ALLOWED BY LAW. Some states and provinces do not allow limitations on the duration of implied warranties of merchantability or fitness, so this limitation may not apply to you. This warranty gives you specific legal rights, and you also may have other rights that vary from state to state or province to province.

---

## DISCLAIMER OF REPRESENTATIONS OUTSIDE OF WARRANTY

Maytag makes no representations about the quality, durability, or need for service or repair of this commercial appliance other than the representations contained in this Warranty. If you want a longer or more comprehensive warranty than the limited warranty that comes with this commercial appliance, you should ask Maytag or your retailer about buying an extended warranty.

---

## LIMITATION OF REMEDIES; EXCLUSION OF INCIDENTAL AND CONSEQUENTIAL DAMAGES

YOUR SOLE AND EXCLUSIVE REMEDY UNDER THIS LIMITED WARRANTY SHALL BE PRODUCT REPAIR AS PROVIDED HEREIN. MAYTAG SHALL NOT BE LIABLE FOR INCIDENTAL OR CONSEQUENTIAL DAMAGES. Some states and provinces do not allow the exclusion or limitation of incidental or consequential damages, so these limitations and exclusions may not apply to you. This warranty gives you specific legal rights, and you also may have other rights that vary from state to state or province to province.

---

If you need service, please contact your authorized Maytag Commercial Laundry® distributor. To locate your authorized Maytag Commercial Laundry® distributor, call 1-800-662-3587, or for web inquiries, visit [www.MaytagCommercialLaundry.com](http://www.MaytagCommercialLaundry.com).

02/14

For written correspondence:

Maytag Commercial Laundry® Service Department  
2000 N M 63  
Benton Harbor, Michigan 49022-2632 USA

# SÉCURITÉ DE LA SÈCHEUSE

## Votre sécurité et celle des autres est très importante.

Nous donnons de nombreux messages de sécurité importants dans ce manuel et sur votre appareil ménager. Assurez-vous de toujours lire tous les messages de sécurité et de vous y conformer.



Voici le symbole d'alerte de sécurité.

Ce symbole d'alerte de sécurité vous signale les dangers potentiels de décès et de blessures graves à vous et à d'autres.

Tous les messages de sécurité suivront le symbole d'alerte de sécurité et le mot "DANGER" ou "AVERTISSEMENT". Ces mots signifient :

**⚠ DANGER**

Risque possible de décès ou de blessure grave si vous ne suivez pas immédiatement les instructions.

**⚠ AVERTISSEMENT**

Risque possible de décès ou de blessure grave si vous ne suivez pas les instructions.

Tous les messages de sécurité vous diront quel est le danger potentiel et vous disent comment réduire le risque de blessure et ce qui peut se produire en cas de non-respect des instructions.

- On recommande que le propriétaire place les instructions à l'usage du client à un endroit bien visible, pour le cas où le client percevrait une odeur de gaz. Ces renseignements doivent être obtenus auprès de votre fournisseur de gaz.
- Placer l'avertissement qui suit à un endroit bien visible.

### POUR VOTRE SÉCURITÉ

Ne pas remiser ou utiliser de l'essence ou tout autre liquide ou vapeur inflammable à proximité de cet appareil ou de tout autre appareil.

**AVERTISSEMENT : Pour votre sécurité, les renseignements dans ce manuel doivent être observés pour réduire au minimum les risques d'incendie ou d'explosion ou pour éviter des dommages au produit, des blessures ou un décès.**

- Ne pas entreposer ou utiliser de l'essence ou d'autres vapeurs ou liquides inflammables à proximité de cet appareil ou de tout autre appareil électroménager.
- QUE FAIRE DANS LE CAS D'UNE ODEUR DE GAZ :
  - Ne pas tenter d'allumer un appareil.
  - Ne pas toucher à un commutateur électrique; ne pas utiliser le téléphone se trouvant sur les lieux.
  - Évacuer tous les gens de la pièce, de l'édifice ou du quartier.
  - Appeler immédiatement le fournisseur de gaz d'un téléphone voisin. Suivre ses instructions.
  - À défaut de joindre votre fournisseur de gaz, appeler les pompiers.
- L'installation et l'entretien doivent être effectués par un installateur qualifié, une agence de service ou le fournisseur de gaz.

**AVERTISSEMENT :** L'odorat ne permet pas toujours la détection d'une fuite de gaz.

Les distributeurs de gaz recommandent l'emploi d'un détecteur de gaz (homologation UL ou CSA).

Pour d'autre information, contacter le fournisseur de gaz local.

En cas de détection d'une fuite de gaz, exécuter les instructions "Que faire dans le cas d'une odeur de gaz".



Avertissements de la proposition 65 de l'État de Californie :

**AVERTISSEMENT** : Ce produit contient au moins un produit chimique connu par l'État de Californie pour être à l'origine de cancers.

**AVERTISSEMENT** : Ce produit contient au moins un produit chimique connu par l'État de Californie pour être à l'origine de malformations et autres déficiences de naissance.

Dans l'État du Massachusetts, les instructions d'installation suivantes sont applicables :

- Les travaux d'installation et réparation doivent être exécutés par un plombier ou tuyauteur qualifié ou licencié, ou par le personnel qualifié d'une entreprise licenciée par l'État du Massachusetts.
- Si une vanne à boisseau sphérique est utilisée, elle doit comporter une manette "T".
- Si un conduit de raccordement flexible est utilisé, sa longueur ne doit pas dépasser 3 pi.



## **AVERTISSEMENT - "Risque d'incendie"**

- L'installation de la sècheuse à linge doit être effectuée par un installateur qualifié.
- Installer la sècheuse conformément aux instructions du fabricant et aux codes locaux.
- Ne pas installer de sècheuse à linge avec des matériaux d'évacuation en plastique souple ou un conduit métallique souple (de type papier d'aluminium). Si un conduit métallique souple est installé, celui-ci doit être d'un type spécifique identifié par le fabricant de l'appareil et convenir à une utilisation avec les sècheuses à linge. Les matériaux d'évacuation souples sont connus pour s'affaisser, être facilement écrasés et bloquer la charpie. Ces situations obstrueront le débit d'air de la sècheuse à linge et augmenteront le risque d'incendie.
- Pour réduire le risque de blessure grave ou de décès, suivre toutes les instructions d'installation.
- Conserver ces instructions.

## IMPORTANTES INSTRUCTIONS DE SÉCURITÉ

**AVERTISSEMENT :** Pour réduire le risque d'incendie, de choc électrique ou de blessure lors de l'utilisation de la sècheuse, il convient d'observer certaines précautions élémentaires dont les suivantes :

- Lire toutes les instructions avant d'utiliser la sècheuse.
- Ne pas placer des articles exposés aux huiles de cuisson dans votre sècheuse. Les articles contaminés par des huiles de cuisson peuvent contribuer à une réaction chimique qui pourrait causer à la charge de s'enflammer.
- Ne pas faire sécher dans la machine des articles qui ont déjà été nettoyés, lavés, imbibés, ou tachés d'essence, de solvants pour nettoyage à sec, d'autres substances inflammables, ou de substances explosives puisqu'elles dégagent des vapeurs qui peuvent provoquer un incendie ou une explosion.
- Ne pas permettre à des enfants de jouer sur ou à l'intérieur de la sècheuse. Une surveillance étroite est nécessaire lorsque la sècheuse est utilisée près d'eux.
- Avant d'enlever la sècheuse du service ou la jeter, enlever la porte du compartiment de séchage.
- Ne pas mettre la main dans la sècheuse si le tambour est en mouvement.
- Ne pas installer ni entreposer la sècheuse où elle sera exposée aux intempéries.
- Ne pas jouer avec les commandes.
- Ne pas réparer ni remplacer une pièce de la sècheuse ou essayer d'en faire l'entretien à moins d'une recommandation spécifique dans le guide d'utilisation et d'entretien, ou publiée dans les instructions de réparation par l'utilisateur que vous comprenez et pouvez exécuter avec compétence.
- Ne pas utiliser un produit assouplissant de tissu ou des produits pour éliminer la statique à moins qu'ils ne soient recommandés par le fabricant du produit assouplissant de tissu ou du produit.
- Ne pas utiliser la chaleur pour faire sécher des articles fabriqués avec du caoutchouc mousse ou des matériaux semblables.
- Nettoyer le filtre à charpie avant et après chaque charge.
- Ne pas laisser la charpie, la poussière, ou la saleté s'accumuler autour du système d'évacuation ou autour de l'appareil.
- Un nettoyage périodique de l'intérieur de la sècheuse et du conduit d'évacuation doit être effectué par une personne qualifiée.
- Pour les instructions de liaison à la terre, voir "Spécifications électriques" dans les instructions d'installation.

**CONSERVEZ CES INSTRUCTIONS**

**IMPORTANT :** L'installation du gaz doit se conformer aux codes locaux, ou en l'absence de codes locaux, au code canadien d'installation B149.1 du gaz naturel ou du propane.

La sècheuse doit être électriquement reliée à la terre conformément aux codes locaux, ou en l'absence de codes locaux, au Code canadien de l'électricité, CSA C22.1.

## IMPORTANTES INSTRUCTIONS DE SÉCURITÉ

Avant de jeter ou de ranger votre vieille sècheuse, enlever la porte.

**CONSERVEZ CES INSTRUCTIONS**

# EXIGENCES D'INSTALLATION

## Outils et pièces

### Outillage nécessaire :



Clé à tuyau  
de 8" (200 mm)  
ou 10" (250 mm)



Clé à molette de 8" (200 mm)  
ou 10" (250 mm) (ouverture  
jusqu'à 1" [25 mm])



Tournevis à lame plate



Tournevis Phillips



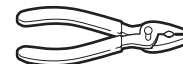
Tournevis isolé ou foret  
TORX T20<sup>†</sup>



Clé à douille hexagonale  
de 1" (25 mm)



Clé à douille de 5/16" (8 mm)



Pince (ouverture jusqu'à  
1 9/16" [39 mm])



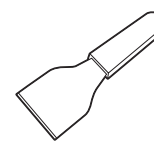
Niveau



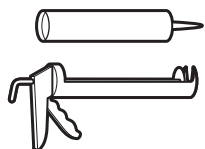
Couteau utilitaire



Composé d'étanchéité  
des tuyauteries résistant  
au type de gaz utilisé



Couteau à mastic



Pistolet à calfeutrage et  
composé de calfeutrage  
(pour l'installation d'un nouveau  
conduit d'évacuation)



Brides de conduit

### Pièces fournies :

Retirer le sac de pièces du tambour de la sècheuse.  
Vérifier la présence de toutes les pièces.

- Patin (4)
- Pied de la sècheuse (4)
- Modèles PD : Came de verrouillage de la porte d'accès pour entretien  
Modèles PR : Monture du lecteur de carte, câblage du lecteur de carte, matériel

### Pièces facultatives non inclus :

- 279810 Pied long de la sècheuse
- Ensemble de conversion pour alimentation au propane W10402145
- Élément électrique de 208V  
Canada – W10206351A, États-Unis – W10206352A

<sup>†</sup>© TORX et T20 sont les marques de commerce déposées de Acument Intellectual Properties, LLC.

## Exigences d'emplacement

### ⚠ AVERTISSEMENT



#### Risque d'explosion

**Garder les matières et les vapeurs inflammables, telle que l'essence, loin de la sècheuse.**

**Ne pas installer dans un garage.**

**Le non-respect de ces instructions peut causer un décès, une explosion ou un incendie.**

#### Pour l'installation d'une sècheuse à gaz :

**IMPORTANT :** Respecter les dispositions de tous les codes et règlements en vigueur.

- Déterminer les exigences des codes : Certains codes limitent ou prohibent l'installation d'une sècheuse dans un garage, un placard ou une chambre à coucher. Consulter l'inspecteur local des bâtiments.

- Veiller à ce que les bords inférieurs de la caisse ainsi que l'arrière et les côtés inférieurs de la sècheuse soient exempts d'obstructions, afin de permettre le passage adéquat de l'air de combustion. Voir la section "Instructions d'installation dans un encastrement ou un placard" pour l'espace de dégagement minimal.

**NOTE :** La sècheuse ne doit pas être installée en un endroit où elle serait exposée à de l'eau ou aux intempéries.

#### Instructions d'installation dans un encastrement ou un placard

Cette sècheuse peut être installée dans un placard ou un encastrement. Pour l'installation dans un placard ou un encastrement, on doit respecter les distances de séparation minimales mentionnées sur la plaque signalétique de la sècheuse.

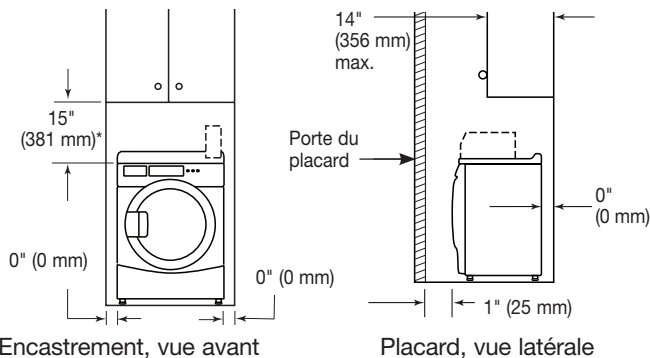
Les distances de séparation sont exprimées en pouces; il s'agit des distances minimales. Il est utile de prévoir des distances de séparation supérieures pour faciliter l'installation et les travaux d'entretien, ou si ceci est exigé par les codes et règlements locaux.

Si la porte du placard est installée, on doit respecter la taille minimale des ouvertures d'entrée d'air au sommet et en bas. On peut utiliser une porte à jalousies offrant une surface de passage d'air équivalente.

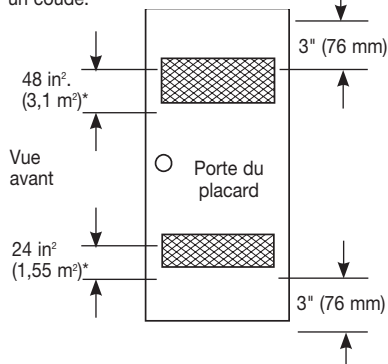
Le circuit d'évacuation de la sècheuse doit être relié à l'extérieur.

Aucun autre appareil utilisant un combustible ne doit être installé dans le même placard.

#### Distances de séparation minimales

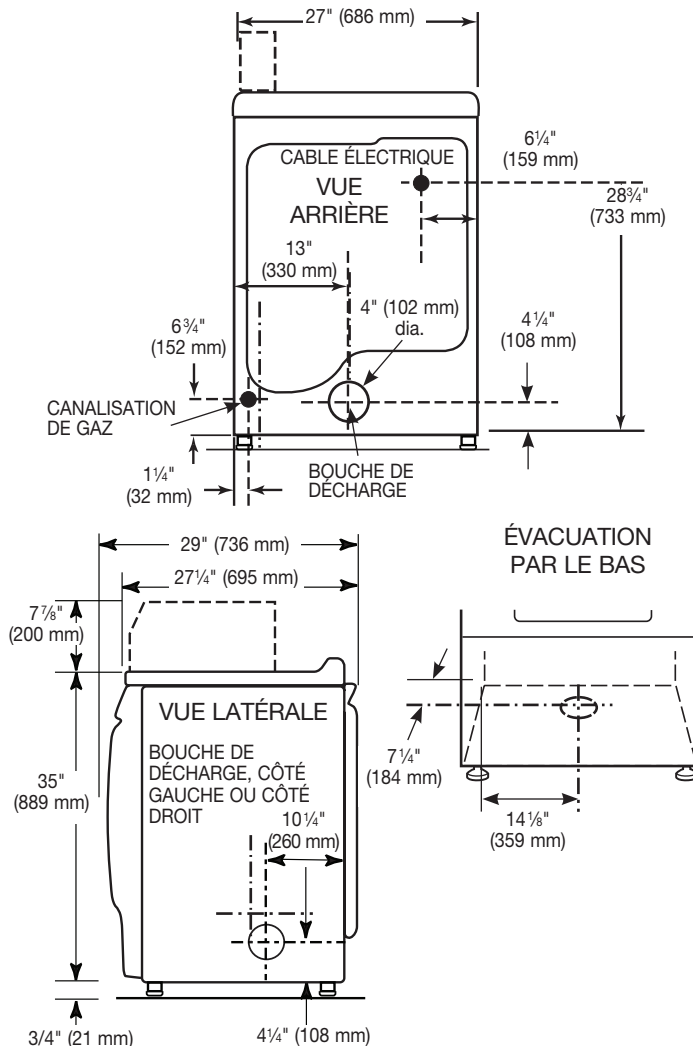


\*On doit prévoir un espacement additionnel pour tenir compte éventuellement des moulures du mur, de la porte et du plancher, ou si le circuit d'évacuation comporte un coude.



\*Taille minimale de l'ouverture pour la porte du placard. On peut utiliser une porte à jalousies offrant une surface de passage d'air équivalente.

#### Dimensions du produit – Sècheuse de 27" (68,6 cm)



## Spécifications électriques – sècheuse à gaz

### **AVERTISSEMENT**



#### Risque de choc électrique

**Brancher sur une prise à 3 alvéoles reliée à la terre.**

**Ne pas enlever la broche de liaison à la terre.**

**Ne pas utiliser un adaptateur.**

**Ne pas utiliser un câble de rallonge.**

**Le non-respect de ces instructions peut causer un décès, un incendie ou un choc électrique.**

**IMPORTANT :** La sècheuse doit être électriquement reliée à la terre conformément aux prescriptions des codes et règlements locaux; en l'absence de code local, respecter les prescriptions du code national en vigueur : National Electrical Code, ANSI/NFPA 70 (édition la plus récente), ou Code canadien de l'électricité, CSA C22.1.

Si un conducteur distinct de liaison à la terre est utilisé (lorsque le code en vigueur le permet), on recommande qu'un électricien qualifié vérifie la qualité de la liaison à la terre.

On peut obtenir un exemplaire du code national en vigueur à l'adresse suivante :

National Fire Protection Association  
One Batterymarch Park, Quincy, MA 02269

CSA International  
8501 East Pleasant Valley Road  
Cleveland, Ohio 44131-5575

- L'appareil doit être alimenté par un circuit électrique de 120 V (CA seulement), 60 Hz, protégé par un fusible de 15 ou 20 A. On recommande l'emploi d'un fusible temporisé ou d'un disjoncteur. Il est également recommandé d'utiliser un circuit séparé pour la sècheuse.

### **Méthode recommandée de liaison à la terre**

Après l'installation, la sècheuse doit être électriquement reliée à la terre conformément aux prescriptions des codes et règlements locaux; en l'absence de code local, respecter les prescriptions du code national en vigueur : National Electrical Code, ANSI/NFPA 70 (édition la plus récente), ou Code canadien de l'électricité, CSA C22.1, ainsi que celles des codes et règlements locaux.

#### **INSTRUCTIONS DE LIAISON À LA TERRE**

- Pour une sècheuse reliée à la terre et connectée par un cordon :

Cette sècheuse doit être reliée à la terre. En cas de mauvais fonctionnement ou de panne, la liaison à la terre réduira le risque de choc électrique en offrant au courant électrique un acheminement d'évacuation de moindre résistance. Cette sècheuse est alimentée par un cordon électrique comportant un conducteur relié à la terre et une fiche de branchement munie d'une broche de liaison à la terre. La fiche doit être branchée sur une prise appropriée qui est bien installée et reliée à la terre conformément à tous les codes et règlements locaux.

**AVERTISSEMENT :** Le raccordement incorrect de cet appareil au conducteur de liaison à la terre peut susciter un risque de choc électrique. En cas de doute quant à la qualité de liaison à la terre de la sècheuse, consulter un électricien ou un technicien ou un personnel qualifié. Ne pas modifier la fiche de branchement fournie avec la sècheuse; si la fiche ne correspond pas à la configuration de la prise de courant, demander à un électricien qualifié d'installer une prise de courant appropriée.

#### **CONSERVEZ CES INSTRUCTIONS**

## Spécifications électriques – Pour le Canada seulement

### **⚠ AVERTISSEMENT**



#### Risque de choc électrique

**Brancher sur une prise à 4 alvéoles reliée à la terre.**

**Le non-respect de cette instruction peut causer un décès ou un choc électrique.**

#### **C'est à l'utilisateur qu'incombe la responsabilité de**

- Communiquer avec un électricien qualifié.
- S'assurer que les connexions électriques sont adéquates et conformes au Code canadien de l'électricité, C22.1 - dernière édition et à tous les codes locaux. Pour obtenir un exemplaire de la norme des codes ci-dessus, contacter : Association canadienne de normalisation, 178 Rexdale Blvd., Toronto, ON M9W 1R3 CANADA.
- Alimenter l'appareil uniquement par un circuit monophasé de 120/240 volts CA seulement, 60 Hz à 4 fils, sur un circuit séparé de 30 ampères, fusionné aux deux extrémités de la ligne. On recommande l'emploi d'un fusible temporisé ou disjoncteur. On recommande également que cet appareil soit alimenté par un circuit indépendant.
- Cette sècheuse est équipée d'un cordon électrique homologué par la CSA International à introduire dans une prise murale standard 14-30R. Le cordon mesure 5 pi (1,52 m). Veiller à ce que la prise murale se trouve à proximité de l'emplacement définitif de la sècheuse.



Prise murale à 4 fils 14-30R

- Ne pas utiliser un câble de rallonge.  
Si on utilise un cordon d'alimentation de rechange, il est recommandé d'utiliser le cordon d'alimentation de rechange numéro de pièce 8579325. Le cordon mesure 75,6" (1,92 m). Pour plus d'information, veuillez consulter les numéros de service qui se trouvent à la section "Assistance ou service".

### **INSTRUCTIONS DE LIAISON À LA TERRE**

- Pour une sècheuse reliée à la terre et connectée par un cordon :

Cette sècheuse doit être reliée à la terre. En cas de mauvais fonctionnement ou de panne, la liaison à la terre réduira le risque de choc électrique en offrant au courant électrique un acheminement d'évacuation de moindre résistance. Cette sècheuse est alimentée par un cordon électrique comportant un conducteur relié à la terre et une fiche de branchement munie d'une broche de liaison à la terre. La fiche doit être branchée sur une prise appropriée qui est bien installée et reliée à la terre conformément à tous les codes et règlements locaux.

**AVERTISSEMENT :** Le raccordement incorrect de cet appareil au conducteur de liaison à la terre peut susciter un risque de choc électrique. En cas de doute quant à la qualité de liaison à la terre de la sècheuse, consulter un électricien ou un technicien ou un personnel qualifié. Ne pas modifier la fiche de branchement fournie avec la sècheuse; si la fiche ne correspond pas à la configuration de la prise de courant, demander à un électricien qualifié d'installer une prise de courant appropriée.

#### **CONSERVEZ CES INSTRUCTIONS**

## Spécifications de l'alimentation en gaz

### **⚠ AVERTISSEMENT**



#### Risque d'explosion

Utiliser une canalisation neuve d'arrivée de gaz approuvée par CSA International.

Installer un robinet d'arrêt.

Bien serrer chaque organe de connexion de la canalisation de gaz.

En cas de connexion au gaz propane, demander à une personne qualifiée de s'assurer que la pression de gaz ne dépasse pas 330 mm (13 po) de la colonne d'eau.

Par personne qualifiée, on comprend :

le personnel autorisé de chauffage,  
le personnel autorisé d'une compagnie de gaz, et  
le personnel d'entretien autorisé.

Le non-respect de ces instructions peut causer un décès, un explosion ou un incendie.

**IMPORTANT :** Respecter les dispositions de tous les codes et règlements en vigueur.

L'installation doit satisfaire aux critères de tous les codes et règlements locaux. En l'absence de code local, l'installation doit satisfaire aux prescriptions du National Fuel Gas Code ANSI Z223.1/NFPA 54 (American National Standard) ou CAN/CSA B149.

On peut obtenir un exemplaire du code national en vigueur à l'adresse suivante :

National Fire Protection Association  
One Batterymarch Park, Quincy, MA 02269

CSA International  
8501 East Pleasant Valley Road  
Cleveland, Ohio 44131-5575

La conception de cette sècheuse a été homologuée par CSA International pour l'utilisation jusqu'à une altitude de 10 000 pi (3048 m) au-dessus du niveau de la mer, pour le débit thermique indiqué sur la plaque signalétique. Aucun réglage du brûleur n'est nécessaire lorsque la sècheuse est utilisée à une altitude inférieure à cette valeur maximale.

Si la sècheuse doit être utilisée à une altitude supérieure à 10 000 pi (3048 m), on doit réduire de 4 % le débit thermique du brûleur indiqué sur la plaque signalétique pour chaque tranche de 1000 pi (305 m) d'augmentation de l'altitude. Consulter votre compagnie de service locale pour obtenir de l'aide lors de la conversion à d'autres types de gaz ou de l'installation de la sècheuse à une altitude supérieure à 10 000 pi (3048 m).

### Type de gaz

La sècheuse est équipée pour l'alimentation au gaz naturel. Elle est homologuée par CSA International pour l'alimentation avec des gaz de pétrole liquéfiés (propane et butane), après conversion appropriée. Ne pas entreprendre de convertir l'appareil pour l'utilisation d'un gaz différent de celui indiqué sur la plaque signalétique sans d'abord consulter le fournisseur de gaz. Un technicien qualifié doit effectuer la conversion. L'ensemble de conversion pour alimentation au propane est le numéro de pièce W10402145. Le numéro de pièce pour la conversion est également mentionné sur la base de la valve du brûleur.

### Canalisation de gaz

#### Méthode recommandée

- Installer une canalisation de gaz rigide de 1/2" (IPS) jusqu'à l'emplacement d'installation de la sècheuse. On doit utiliser un composé d'étanchéité des tuyauteries résistant à l'action du gaz de pétrole liquéfié. Ne pas utiliser de ruban TEFLON<sup>†</sup>. Pour l'alimentation au propane, le diamètre des canalisations doit être de 1/2" (IPS) ou plus. Usuellement le fournisseur de gaz propane détermine les matériaux à utiliser et le diamètre approprié.

#### Autre méthode

- La canalisation de gaz peut également être connectée au moyen d'un tube homologué en aluminium ou en cuivre de 3/8". Si la longueur totale de la canalisation de gaz excède 20 pi (6,1 m), un tuyau de plus gros diamètre sera nécessaire. Dans le cas de l'alimentation au gaz naturel, ne pas utiliser de tuyau en cuivre. Assurer l'étanchéité des connexions avec un composé d'étanchéité résistant au propane.

#### Connecteur en métal souple pour appareil ménager :

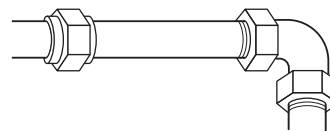
- Il est recommandé d'utiliser une canalisation en acier inoxydable souple et neuve, conception homologuée par CSA International, pour raccorder la sècheuse à la conduite d'alimentation en gaz. (La canalisation d'arrivée de gaz sortant à l'arrière/le bas de la sècheuse est dotée d'un filetage mâle de 3/8").



- Ne pas déformer ni endommager la canalisation de gaz en acier inoxydable souple lorsque vous déplacez la sècheuse.

#### Connexion du tuyau rigide :

La connexion du tuyau rigide nécessite une combinaison de raccords pour obtenir une connexion de la sècheuse en ligne.



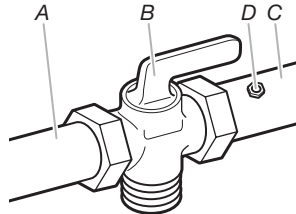
<sup>†</sup>TEFLON est une marque déposée de E.I. Du Pont De Nemours et Compagnie.



■ **Robinet d'arrêt nécessaire :**

Conformément aux prescriptions du National Fuel Gas Code, ANSI Z223.1, on doit installer un robinet d'arrêt manuel sur la canalisation d'alimentation, à moins de 6 pi (1,8 m) de la sècheuse. Au Canada, le robinet d'arrêt manuel doit être installé conformément aux prescriptions des codes d'installation B149 – CAN/CGA B149.1 et CAN/CGA B149.2. Le robinet d'arrêt doit être situé dans la même pièce que la sècheuse. Il doit se trouver à un emplacement qui permet une ouverture et une fermeture faciles. Ne pas bloquer l'accès au robinet d'arrêt. Le robinet est destiné à alimenter/couper l'alimentation en gaz de la sècheuse.

- A. Canalisation d'arrivée de gaz
- B. Robinet d'arrêt - position d'ouverture
- C. Vers la sècheuse
- D. Raccord de 1/8" NPT minimal



■ **Installation dans un espace confiné :**

Si la sècheuse est installée dans un espace réduit comme une salle de bain ou un placard, on doit prévoir une arrivée d'air appropriée pour la combustion et la ventilation. Consulter les codes et règlements en vigueur, ou voir "Instructions pour l'installation dans un encastrement ou un placard" de la section "Exigences d'emplacement".

**Tests de pressurisation de la canalisation de gaz**

Un raccord de 1/8" NPT minimal, accessible pour le raccordement d'un manomètre de test, doit être installé immédiatement en aval du point de raccordement de la canalisation d'arrivée de gaz de la sècheuse.

Lors de tout test de pressurisation du système à une pression de test supérieure à 1/2 lb/po<sup>2</sup> rel., la sècheuse doit être déconnectée de la canalisation d'arrivée de gaz.

Les pressions de la canalisation de gaz attendues sont indiquées dans le tableau ci-dessous (pouces de colonne d'eau) :

	Minimum	Maximum
Gaz naturel	5,2	10,5
Propane	8,0	13,0

**Exigences concernant l'évacuation**

**⚠ AVERTISSEMENT**



**Risque d'incendie**

- Utiliser un conduit d'évacuation en métal lourd.**
- Ne pas utiliser un conduit d'évacuation en plastique.**
- Ne pas utiliser un conduit d'évacuation en feuille de métal.**
- Le non-respect de ces instructions peut causer un décès ou un incendie.**

**AVERTISSEMENT :** Pour réduire le risque d'incendie, cette sècheuse DOIT ÉVACUER L'AIR À L'EXTÉRIEUR.

**IMPORTANT :** Respecter les dispositions de tous les codes et règlements en vigueur.

- Le conduit d'évacuation de la sècheuse ne doit pas être raccordé à une évacuation de gaz, une cheminée, un mur, un plafond, un grenier, un vide sanitaire ou un vide de construction. Seul un conduit d'évacuation métallique rigide ou souple doit être utilisé pour le système d'évacuation.
- Utiliser uniquement un conduit d'évacuation en métal lourd de 4" (102 mm) et des brides de serrage.
- Ne pas utiliser un clapet d'évacuation à fermeture magnétique.
- Utiliser des brides pour sceller tous les joints. Le conduit d'évacuation ne doit pas être raccordé ou fixé avec des vis ou tout autre dispositif de serrage qui se prolongerait à l'intérieur du conduit et retiendrait la charpie. Ne pas utiliser de ruban adhésif pour conduit.
- Ne pas utiliser de conduit de plastique ou de métal très mince.

**Conduit métallique rigide :**

- Recommandé pour une performance de séchage idéale afin d'éviter tout écrasement ou déformation.

**Conduit métallique flexible (acceptable uniquement si son accès reste facile pour le nettoyage) :**

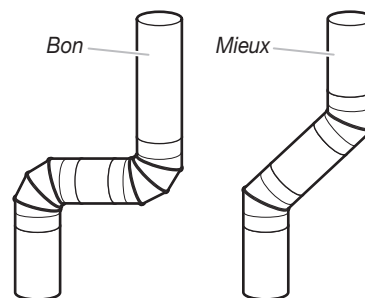
- Doit être entièrement déployé et soutenu à l'emplacement d'installation final de la sècheuse.
- Enlever tout excès de conduit flexible pour éviter tout affaissement et déformation susceptible de réduire la capacité d'évacuation et le rendement.
- Ne pas installer le conduit métallique flexible dans des cavités fermées de mur, plafonds ou planchers.
- La longueur totale ne doit pas dépasser 7<sup>3</sup>/<sub>4</sub> pi. (2,4 m).

Terminer le conduit d'évacuation par un clapet de décharge pour empêcher les rongeurs et insectes d'entrer dans l'habitation ou l'entreprise.

Le clapet de décharge doit être situé à au moins 12" (305 mm) au-dessus du sol ou de tout autre objet susceptible de se trouver sur le trajet de l'air humide rejeté (par exemple, fleurs, roches ou arbustes).

Lors de l'utilisation d'un circuit d'évacuation existant, nettoyer la charpie sur toute la longueur du système et veiller à ce que la bouche de décharge ne soit pas obstruée par une accumulation de charpie. Remplacer tout conduit de plastique ou de feuille métallique mince par un conduit métallique flexible ou rigide.

Planifier l'installation pour introduire le nombre minimal de coudes et de changements de direction.



Si des coudes sont utilisés ou des changements de direction effectués, prévoir autant d'espace que possible. Plier le conduit graduellement pour éviter de le déformer.

La bouche de sortie est située à l'arrière de la sècheuse, en bas/au centre.

On peut acheminer le conduit d'évacuation par le haut, par le bas, par la gauche, par la droite, derrière la sècheuse ou en ligne droite depuis l'arrière de la sècheuse. Voir "Dimensions du produit" dans la section "Exigences d'emplacement."

### Air d'appoint :

Bien que chaque sècheuse à une seule charge devrait comporter une ouverture d'air non obstruée de 24 po<sup>2</sup> (154 cm<sup>2</sup>) (selon 1 po<sup>2</sup> [6,5 cm<sup>2</sup>] sur 1 000 Btu [252 kcal]), les ouvertures d'air d'appoint communes sont aussi acceptables. Installer des ouvertures communes de sorte que l'air d'appoint est distribué uniformément à toutes les sècheuses. Garder à l'esprit que la zone de couverture doit être augmentée de 33 % pour tenir compte de l'utilisation de registres ou de persiennes sur les ouvertures. De plus, les ouvertures d'air d'appoint ne doivent pas être installées près de l'emplacement des conduits d'évacuation à l'extérieur du bâtiment.

### Longueur du circuit d'évacuation

La longueur maximale du circuit d'évacuation dépend du type de conduit utilisé, du nombre de coudes et du type de bouche de décharge. La longueur maximale pour le circuit de conduit rigide est indiquée dans le tableau ci-après.

### Longueur maximale du conduit

#### Clapet de décharge de 4" (102 mm)



Tableau du circuit d'évacuation (Conduit métallique rigide)

N° d'angles à 90°	Clapets de type boîte et à persiennes	Clapet incliné
0	130 ft. (39,6 m)	129 ft. (39,3 m)
1	125 ft. (38,1 m)	119 ft. (36,3 m)
2	115 ft. (35,1 m)	109 ft. (33,2 m)
3	106 ft. (32,3 m)	100 ft. (30,5 m)
4	98 ft. (29,9 m)	92 ft. (28,0 m)

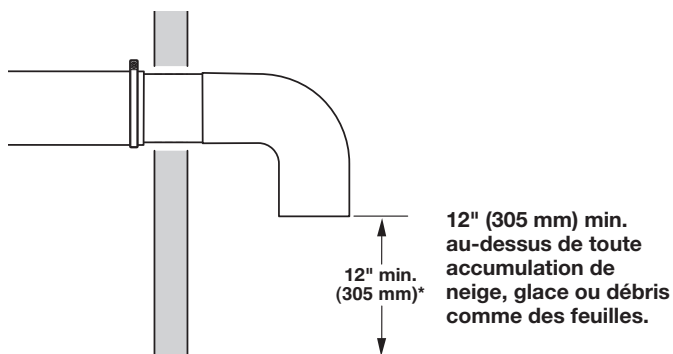
Pour un circuit d'évacuation qui n'est pas couvert par le tableau, consulter chez votre marchand.

Si la sècheuse est installée dans un espace réduit tel qu'une chambre à coucher, une salle de bain ou un placard, on doit prévoir une arrivée d'air en quantité suffisante pour la combustion et la ventilation. (Consulter les codes et règlements en vigueur.) Voir "Instructions d'installation dans un encastrement ou un placard" de la section "Exigences d'emplacement".

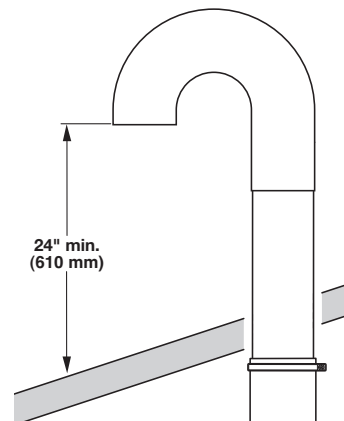
L'emploi d'une bouche de décharge de 4" (102 mm) est préférable. On peut cependant utiliser une bouche de 2 1/2" (64 mm). Une bouche de décharge de 2 1/2" (64 mm) peut causer une plus forte rétropression que les autres genres de bouches. Pour une installation permanente, un système d'évacuation fixe est requis.

### Si une bouche de décharge ne peut être utilisée :

L'extrémité extérieure du conduit principal devrait être munie d'un coude de déviation dirigé vers le bas.



Si le conduit principal suit une trajectoire verticale à travers le toit, plutôt qu'à travers le mur, installer un coude de déviation de 180° à l'extrémité du conduit et dépassant d'au moins 2 pi (610 mm) au-dessus de la partie la plus élevée du bâtiment. L'ouverture murale ou dans le toit doit avoir un diamètre supérieur de 1/2" (13 mm) à celui du conduit d'évacuation. Le conduit d'évacuation devrait être centré dans l'ouverture.



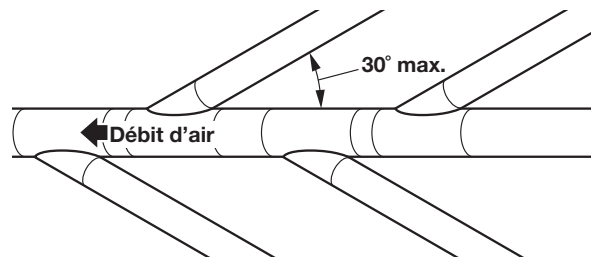
Ne pas installer une grille ou un couvercle sur l'extrémité du conduit d'évacuation.

### Évacuation multiple de la sècheuse

- Un conduit d'évacuation principal peut être utilisé pour un groupe de sècheuses. Le conduit d'évacuation principal devrait être d'un diamètre suffisant pour évacuer 200 pi<sup>3</sup>/min d'air par sècheuse. Des filtres à charpie de forte capacité et de conception adéquate peuvent être utilisés dans le conduit principal d'évacuation s'ils sont inspectés et nettoyés fréquemment. La pièce où se trouvent les sècheuses devrait recevoir un apport d'air de débit égal ou supérieur au débit total (pi<sup>3</sup>/min) de toutes les sècheuses installées dans la pièce.
- Un ensemble antirefoulement est nécessaire et est fourni par un distributeur de buanderie commercial et devrait être installé dans le conduit d'évacuation de chaque sècheuse pour empêcher l'air évacué de retourner dans les sècheuses et pour maintenir une pression équilibrée dans le conduit principal d'évacuation. Des orifices de passage d'air de retour non obstrués sont requis.

Chaque conduit d'évacuation devrait pénétrer dans le conduit principal à un angle pointant dans la direction du débit d'air. Les conduits raccordés au conduit principal de part et d'autre devraient être disposés en quinconce pour que l'air évacué par une sècheuse ne puisse perturber l'évacuation d'une autre sècheuse.

L'angle maximal entre le conduit connecté à une sècheuse et le conduit principal ne devrait pas dépasser 30°.



Faire en sorte que les vapeurs générées par les liquides de nettoyage à sec ne puissent pas atteindre les orifices d'entrée d'air; ces vapeurs créent des composés acides qui, lorsqu'ils sont attirés vers les unités de chauffage des sècheuses, peuvent endommager les sècheuses et le linge en cours de séchage.

Une bouche de nettoyage devrait être installée dans le conduit principal d'évacuation pour les nettoyages périodiques du système d'évacuation.

# INSTRUCTIONS D'INSTALLATION – SÈCHEUSE À GAZ

## Raccordement à la canalisation de gaz

### **⚠ AVERTISSEMENT**

#### **Risque du poids excessif**

Utiliser deux ou plus de personnes pour déplacer et installer la sècheuse.

Le non-respect de cette instruction peut causer une blessure au dos ou d'autre blessure.

1. Retirer le capuchon rouge de la canalisation de gaz.
2. Raccorder la canalisation de gaz à la sècheuse. Utiliser un composé d'étanchéité compatible avec le gaz propane. Si un conduit métallique flexible est utilisé, vérifier qu'il n'est pas déformé.  
Si cela est nécessaire à l'entretien, ouvrir le panneau de plinthe en ôtant les vis de 2 1/4" à tête hexagonale du fond du panneau. Soulever ensuite le panneau tout en tirant le fond du panneau hors de la sècheuse.
3. Ouvrir le robinet d'arrêt de la canalisation d'arrivée de gaz.
4. Vérifier tous les raccords en les badigeonnant d'une solution de détection des fuites non corrosive approuvée. L'apparition de bulles indique une fuite. Réparer toute fuite éventuelle.

## Raccordement du conduit d'évacuation

1. À l'aide d'une bride de fixation de 4" (102 mm), relier le conduit d'évacuation à la bouche d'évacuation de la sècheuse. Si on utilise le conduit d'évacuation existant, s'assurer qu'il est propre. Le conduit d'évacuation de la sècheuse doit être fixé sur la bouche d'évacuation de la sècheuse et dans le clapet d'évacuation. S'assurer que le conduit d'évacuation est fixé au clapet d'évacuation à l'aide d'une bride de fixation de 4" (102 mm).
2. Avec l'aide d'au moins deux autres personnes, déplacer la sècheuse à l'emplacement final désiré. Ne pas écraser ni déformer le conduit d'évacuation, et enlever n'importe quel conduit flexible excessif pour améliorer le débit d'air. Vérifier que la sècheuse est de niveau.
3. Vérifier que la canalisation souple de gaz n'est pas déformée.

## Achever l'installation

1. Une fois la sècheuse à son emplacement final, placer un niveau sur le sommet de la sècheuse, transversalement, puis dans le sens avant arrière. Si la sècheuse n'est pas d'aplomb, ajuster les pieds pour modifier la hauteur et établir un bon aplomb de la sècheuse.

### **⚠ AVERTISSEMENT**



#### **Risque de choc électrique**

**Brancher sur une prise à 3 alvéoles reliée à la terre.**

**Ne pas enlever la broche de liaison à la terre.**

**Ne pas utiliser un adaptateur.**

**Ne pas utiliser un câble de rallonge.**

**Le non-respect de ces instructions peut causer un décès, un incendie ou un choc électrique.**

2. Brancher sur une prise à 3 alvéoles reliée à la terre.
3. Contrôler le bon fonctionnement de la sècheuse :  
Insérer les pièces. Sélectionner un programme. Faire fonctionner la sècheuse pendant au moins cinq minutes – programme de WHITES & COLORS. La sècheuse s'arrêtera à l'expiration de la période ainsi déterminée.  
**NOTE :** Il faut que la porte soit fermée pour que la sècheuse puisse fonctionner. La sècheuse s'arrête dès l'ouverture de la porte, mais la minuterie continue de fonctionner. Pour remettre la sècheuse en marche, fermer la porte et sélectionner un programme.
4. Si on ne perçoit aucune chaleur à l'intérieur de la sècheuse et si le brûleur ne s'allume pas, arrêter la sècheuse pendant cinq minutes. Vérifier que tous les robinets de la canalisation d'alimentation en gaz sont ouverts et que le cordon d'alimentation électrique est branché. Répéter le test de cinq minutes de fonctionnement.
5. Si le temps de séchage est trop long, s'assurer que le filtre à charpie est propre, et vérifier qu'il n'y a aucun obstacle au débit d'air du circuit d'évacuation de la sècheuse.

# INSTRUCTIONS D'INSTALLATION – SÉCHEUSE ÉLECTRIQUE

## Raccordement du conduit d'évacuation

### **⚠ AVERTISSEMENT**

#### **Risque du poids excessif**

**Utiliser deux ou plus de personnes pour déplacer et installer la sécheuse.**

**Le non-respect de cette instruction peut causer une blessure au dos ou d'autre blessure.**

1. À l'aide d'une bride de fixation de 4" (102 mm), relier le conduit d'évacuation à la bouche d'évacuation de la sécheuse. Si on utilise le conduit d'évacuation existant, s'assurer qu'il est propre. Le conduit d'évacuation de la sécheuse doit être fixé sur la bouche d'évacuation de la sécheuse et dans le clapet d'évacuation. S'assurer que le conduit d'évacuation est fixé au clapet d'évacuation à l'aide d'une bride de fixation de 4" (102 mm).
2. Déplacer la sécheuse à l'emplacement final désiré. Ne pas écraser ni déformer le conduit d'évacuation, et enlever n'importe quel conduit flexible excessif pour améliorer le débit d'air. Vérifier que la sécheuse est de niveau.

## Achever l'installation

1. Une fois la sécheuse à son emplacement final, placer un niveau sur le sommet de la sécheuse, transversalement, puis dans le sens avant arrière. Si la sécheuse n'est pas d'aplomb, ajuster les pieds pour modifier la hauteur et établir un bon aplomb de la sécheuse.

### **⚠ AVERTISSEMENT**



#### **Risque de choc électrique**

**Brancher sur une prise à 4 alvéoles reliée à la terre.**

**Le non-respect de cette instruction peut causer un décès ou un choc électrique.**

2. Brancher la sécheuse ou reconnecter la source de courant électrique.
3. Contrôler le bon fonctionnement de la sécheuse :  
Insérer les pièces. Sélectionner un programme. Faire fonctionner la sécheuse pendant au moins cinq minutes – programme de WHITES & COLORS. La sécheuse s'arrêtera à l'expiration de la période ainsi déterminée.  
**NOTE :** Il faut que la porte soit fermée pour que la sécheuse puisse fonctionner. La sécheuse s'arrête dès l'ouverture de la porte, mais la minuterie continue de fonctionner. Pour remettre la sécheuse en marche, fermer la porte et resélectionner un programme.
4. Si le temps de séchage est trop long, s'assurer que le filtre à charpie est propre, et vérifier qu'il n'y a aucun obstacle au débit d'air du circuit d'évacuation de la sécheuse.
5. Mettre la sécheuse en marche; la laisser exécuter un programme complet pour vérifier qu'elle fonctionne correctement.

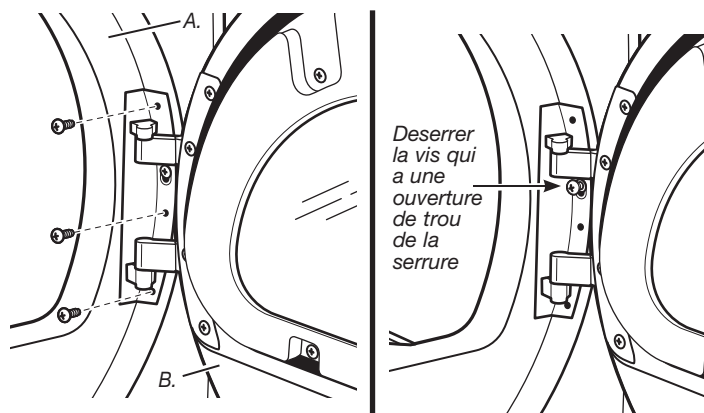
# INVERSION DU SENS D'OUVERTURE DE LA PORTE

Le sens d'ouverture de la porte peut être changé du côté droit au côté gauche, si désiré.

Placer une serviette ou un linge doux sur le dessus de la sécheuse ou du plan de travail pour empêcher rayer la surface.

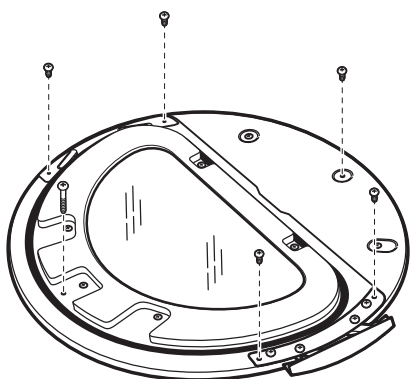
## Ôter la porte

1. Enlever 3 des 4 vis qui maintiennent la charnière de la porte sur le panneau avant de la sécheuse. Deserrer partiellement la vis restante qui a une ouverture de trou de la serrure et soulever la porte de la vis.

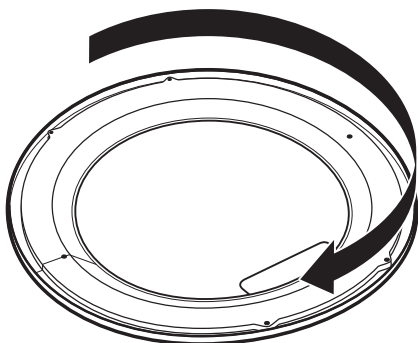


A. Panneau avant de la sécheuse  
B. Porte

2. Poser la porte sur une surface plate préparée, côté intérieur (partie interne de la porte) vers le haut.
3. Enlever les 6 vis à tête Philips pour séparer la partie externe de la porte de la partie interne. Voir l'illustration. Il importe d'enlever seulement les 6 vis indiquées.

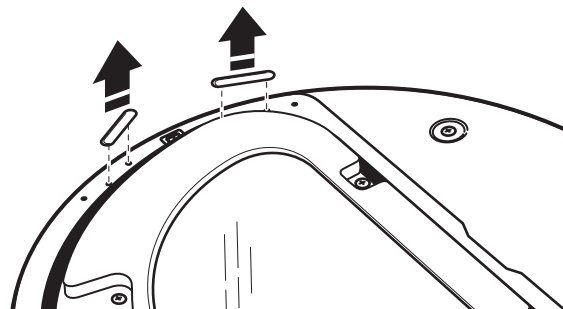


4. Soulever la partie interne de la porte hors de la partie externe.
5. Faire pivoter la partie externe de 180°.

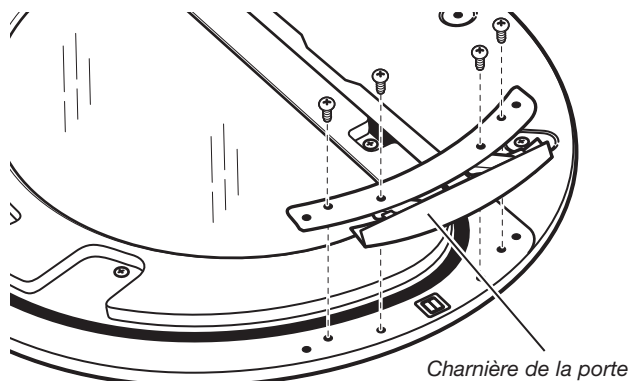


## Inversion de la charnière

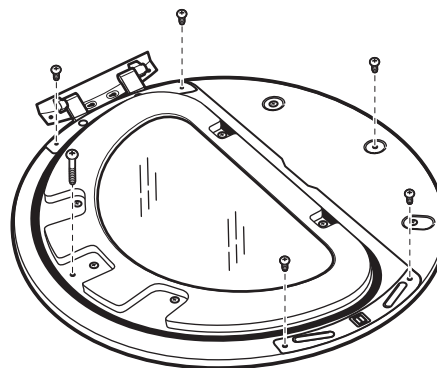
1. Utiliser un petit tournevis à lame plate pour enlever 2 tringles des pitons d'obturation des trous de la partie interne de la porte. Faire glisser la tête du tournevis sous les tringles, en veillant à ne pas érafler la surface de la porte interne. Soulever.



2. Ôter les 4 vis qui fixent la charnière de la porte interne et déplacer la charnière de l'autre côté. Réinstaller les 4 vis.



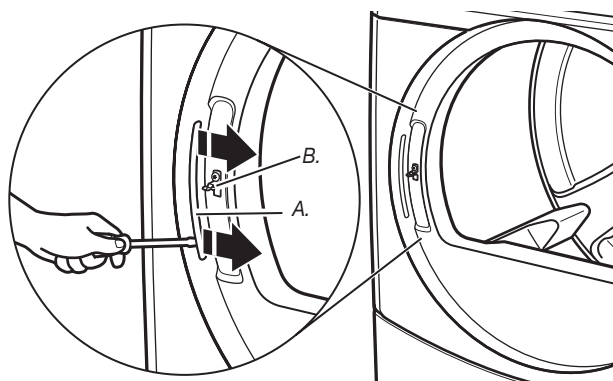
3. Réinstaller les tringles des pitons d'obturation des trous sur le côté opposé de la porte interne.
4. Vérifier s'il y a des traces de doigts sur le verre. Nettoyer le verre au besoin.
5. Placer la partie interne de la porte à l'intérieur de la partie externe. Pour une bonne installation, le bord de la partie interne de la porte doit se trouver complètement à l'intérieur du bord de la partie externe de la porte.
6. Assembler de nouveau les parties interne et externe de la porte avec les 6 vis.





## Inversion de la gâche

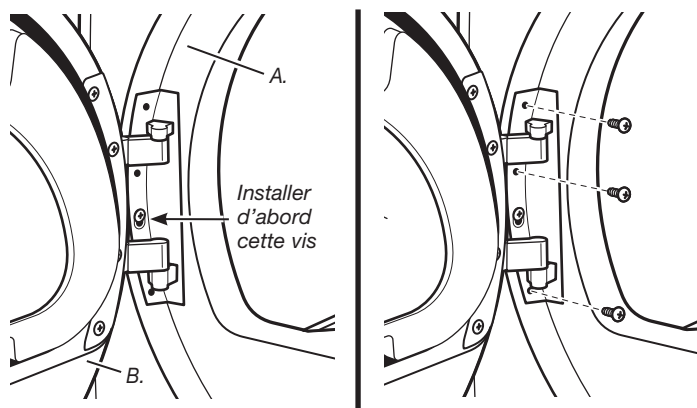
1. Utiliser un petit tournevis à lame plate pour enlever la tringle des pitons d'obturation des trous dans l'ouverture de la porte de la sècheuse. Faire glisser la tête du tournevis sous les tringles, en veillant à ne pas érafler la surface de la sècheuse. Soulever de la sècheuse lentement pour empêcher la déformation de la tringle des pitons d'obturation des trous.
2. Utiliser un tournevis Phillips pour ôter la gâche.
3. Insérer la gâche sur le côté opposé.



A. Tringle des pitons d'obturation des trous  
B. Gâche de la porte

## Réinstallation de la porte

1. Fixer de nouveau la porte sur le panneau avant de la sècheuse avec les 4 vis. Installer partiellement la vis qui a l'ouverture de trou de la serrure d'abord, et placer l'ouverture de trou de la serrure de la charnière au-dessus de la vis. Installer ensuite les autres 3 vis et serrer chacune des 4 vis.



A. Panneau avant de la sècheuse  
B. Porte

2. Vérifier s'il y a des marques de doigts sur le verre. Nettoyer le verre au besoin.
3. Fermer la porte et vérifier qu'elle s'enclenche solidement.

## INSTRUCTIONS D'ENTRETIEN

### Instructions d'entretien :

- Nettoyer le filtre à charpie après chaque utilisation.
- Comment enlever la charpie accumulée :
  - De l'intérieur de la sècheuse :  
Il faut retirer la charpie tous les 2 ans ou plus souvent, selon l'utilisation de la sècheuse. Le nettoyage doit être effectué par une personne qualifiée.
  - Du conduit d'évacuation :  
Il faut retirer la charpie tous les 2 ans ou plus souvent, selon l'utilisation de la sècheuse.
- Tenir les matériaux combustibles, essence ou autres vapeurs ou liquides inflammables, à l'écart de la zone entourant la sècheuse.
- Tenir les objets qui pourraient obstruer le flux de combustion et de ventilation à l'écart de la zone entourant la sècheuse.

### Si la sècheuse ne fonctionne pas, vérifier ce qui suit :

- Le circuit d'alimentation électrique est bien connecté.
- Les disjoncteurs ne sont pas ouverts et les fusibles sont intacts.
- La porte est fermée. Écouter étroitement pour entendre l'activation du contacteur de la porte.
- La commande est configurée correctement et l'afficheur montre la durée de cycle.
- Le bouton de sélection de programme a été enfoncé fermement.
- Pour une sècheuse à gaz, vérifier que les robinets de la canalisation de gaz sont ouverts.

### Si vous avez besoin d'aide :

Communiquer avec votre distributeur d'ensemble de buanderie Maytag® autorisé. Pour localiser votre distributeur d'ensemble de buanderie Maytag® autorisé, ou pour des demandes de renseignements sur Internet, visitez le site Web [www.MaytagCommercialLaundry.com](http://www.MaytagCommercialLaundry.com).

Si vous ne pouvez pas localiser votre distributeur, le Centre d'assistance d'appareils de buanderie commerciaux répondra à toute question concernant le fonctionnement et l'entretien de la sècheuse non abordée dans les instructions d'installation.

Il suffit de composer le 1-800 NO BELTS (1-800-662-3587). La communication est gratuite.

Lors de l'appel, vous devrez communiquer les numéros de modèle et de série de la sècheuse; les deux numéros sont inscrits sur la plaque signalétique située dans l'ouverture de la porte de la sècheuse.



# RÉGLAGE DE COMMANDE ÉLECTRONIQUE

## INFORMATION GÉNÉRALE POUR L'UTILISATEUR

### Défilement de "out of order" (hors service) sur l'afficheur, suivi par un code de défaillance

Cette situation indique que la sècheuse n'est pas opérationnelle.

### Affichage de '0 Minutes'

Ceci indique qu'il n'est pas possible de faire fonctionner la sècheuse. L'information sur les pièces insérées ou les entrées de débit sera mémorisée mais ne peut être utilisée avant le rétablissement du fonctionnement normal par une manœuvre d'ouverture/fermeture de la porte. En cas de défaillance du contacteur de la porte, on doit le remplacer pour pouvoir rétablir le fonctionnement normal.

### Mise en marche pour la première utilisation

La sècheuse a été programmée à l'usine comme suit :

- Temps de séchage de 45 minutes – modèles PR.
- 5 minutes par pièce de 0,25 – modèles PD.
- Prix d'utilisation 1,50 \$ (programme fixe avec addition de temps – modèles PD).
- Prix d'utilisation 0,00 \$ (programme fixe – modèles PR).

### Remise en marche après une interruption de l'alimentation

Quelques secondes après la restauration de l'alimentation, si un programme était en cours d'exécution lors de l'interruption, 'RESELECT CYCLE' (sélectionner le programme de nouveau) clignote sur l'afficheur. Ceci indique qu'il est nécessaire d'appuyer sur une des touches de configuration/paramétrage (tissu) pour commander la remise en marche de la sècheuse.

### Prix de l'utilisation

Après l'ouverture et la fermeture de la porte à l'achèvement d'un programme, l'afficheur présente le prix d'utilisation (sauf si la sècheuse est réglée pour l'utilisation gratuite). Lors de l'enregistrement de l'introduction de pièces ou d'un débit, l'information affichée change et guide l'utilisateur pour le lancement d'un programme.

Il y a quatre (4) types de tarification :

### Prix d'utilisation fixé

Une sècheuse configurée pour 'Programme fixe' (Fixed Cycle) peut seulement accepter du temps additionnel accumulé par incréments égaux à la durée d'un programme de séchage complet. L'utilisateur peut acheter un maximum de 99 minutes d'utilisation; aucun crédit additionnel n'est donné lorsque l'afficheur présente 99 minutes.

### Tarification Accumulateur

Si le prix est fixé à une pièce 1, le mode Accumulateur est en vigueur. Le temps d'utilisation peut être acheté à raison d'une pièce à la fois (modèles PD) jusqu'à un maximum de 99 minutes.

### Prix programme fixe avec Top Off (addition de temps)

Une sècheuse configurée pour permettre l'emploi de l'option 'Top Off' permet l'addition de temps de séchage à un programme existant, par incréments égaux au nombre de minutes de séchage allouées par pièce de 0,25 \$ (pièce 1), jusqu'à 99 minutes, quel que soit le montant à payer pour la mise en marche de la sècheuse. Aucun crédit n'est accordé pour les pièces insérées ou un paiement par carte de débit lorsque l'afficheur présente 99 minutes.

Modèles PR : Au mode Paiement débit amélioré, le prix pour addition de temps peut être défini indépendamment (voir VALEUR DE LA PIÈCE 2), et le temps ajouté est calculé à partir de l'équation suivante :

$$\frac{\text{prix pour addition de temps}}{\text{prix du programme complet}} = \frac{\text{temps ajouté}}{\text{durée du programme complet}}$$

L'incrément Centime n'est pas appliqué pour les achats de temps ajouté.

## Programmes gratuits

Pour ceci, on règle le prix de l'utilisation à zéro; l'afficheur présente alors 'SELECT CYCLE' (sélectionner le programme) plutôt que le prix d'une utilisation. Tout programme commencé comme programme gratuit prend fin automatiquement lors de l'ouverture de la porte.

## Prêt pour carte de débit

Cette sècheuse est pré-configurée pour l'utilisation des cartes de débit; il est compatible avec une variété de systèmes de paiement par carte de débit, mais il n'est PAS fournie avec un lecteur de carte de débit. Pour le réglage approprié de la sècheuse, voir les instructions fournies par le fabricant du lecteur de carte de débit. Pour un modèle converti pour l'utilisation d'une carte de débit Génération 1, les impulsions de débit sont équivalentes à l'insertion d'une pièce (pièce 1).

## PROCÉDURES DE RÉGLAGE DES SYSTÈMES DE COMMANDE

**IMPORTANT :** Lire la totalité des instructions avant l'utilisation.

Pour le réglage des systèmes de commande de la sècheuse, on utilise les touches de réglage (tissu) et l'afficheur numérique.

L'afficheur peut présenter 4 chiffres et/ou lettres et un point décimal, qui indiquent les codes de paramétrage et les valeurs connexes disponibles pour la programmation de la sècheuse.

### Utilisation des touches pour la programmation des commandes

1. La touche WHITES & COLORS (blancs et couleurs) permet la sélection des valeurs associées aux codes de paramétrage. Appuyer et libérer sur cette touche fait augmenter la valeur de un (1); si on maintient la pression sur la touche, la valeur affichée augmente rapidement.
2. La touche PERM. PRESS (pressage permanent) commande la progression parmi les codes de paramétrage. Appuyer et libérer sur cette touche provoque le passage au code de paramétrage suivant; une pression constante sur la touche commande le défilement automatique des codes à raison de un code par seconde.
3. La touche DELICATES (articles délicats) permet de sélectionner/désélectionner les options.

### Paramétrage pour mise en marche

- Modèles PD : Insérer la clé de la porte d'accès pour entretien; tourner et soulever pour enlever la porte d'accès pour entretien.
- Modèles PR : Après installation du lecteur de carte de débit Gen. 2 (conformément aux instructions du fabricant du lecteur de carte), pour accéder au mode de paramétrage, insérer la carte de paramétrage manuel (fournie par le fabricant du lecteur de carte) dans la fente d'insertion de carte. Si une carte de paramétrage manuel n'est pas disponible, le mode de paramétrage manuel ne peut pas être initié. Par contre, le mode de diagnostic peut être initié en retirant le connecteur AA1 sur le circuit de commande.

**IMPORTANT :** Ne pas ouvrir la console avant d'avoir déconnecté la sècheuse de toute source d'énergie. Pour accéder au connecteur AA1 :

- Débrancher la sècheuse ou déconnecter la source de courant électrique.
- Ouvrir la console, débrancher le connecteur AA1, refermer la console.
- Brancher la sècheuse ou reconnecter la source de courant électrique.

- Modèles PR configurés en tant que PN : Les procédures de paramétrage peuvent être entrées en utilisant le **Code d'accès pour entretien**. On peut entrer ce code pour accéder au mode d'entretien sans retirer la console. Il fonctionne uniquement sur les sècheuses qui sont configurées pour un prix de vente 0 sans configuration de Prix spécial, et l'option Pièce/Débit doit être réglée à "J\_d".

Le code d'accès pour entretien alternatif pour entrer le mode de paramétrage est : Appuyer la touche gauche, la touche droite, la touche gauche, la touche droite et la touche droite.

La sècheuse est maintenant au mode de configuration/paramétrage.

**NOTE :** Avant la mise en service, un système de paiement ou un ensemble OPL doit être installé.

Avant de poursuivre, noter que malgré le grand nombre d'options disponibles, le propriétaire de la sècheuse peut décider de simplement déballer sa nouvelle sècheuse commerciale, la brancher et la raccorder; elle sera alors parfaitement opérationnelle.

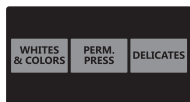
- Les modèles PD sont configurés à l'usine pour un mode de tarification par programme fixe avec Top Off (addition de temps).
- Les modèles PR sont préconfigurés à l'usine pour un mode de fonctionnement gratuit, de sorte qu'il est possible de les faire fonctionner sans lecteur ni pièce.

## AFFICHEUR

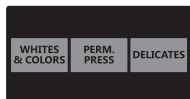
Après l'installation initiale et le branchement de la sècheuse, l'afficheur présente '0 MINUTES'.

Après le branchement de la sècheuse et l'ouverture puis la fermeture de la porte, l'afficheur présente le prix. Pour les Modèles PR réglés pour l'utilisation gratuite, l'afficheur présente 'SELECT CYCLE' (sélectionner le programme) et le temps du programme avec clignotement.

### Modèles PD



### Modèles PR



## CODES DE PARAMÉTRAGE

Le caractère ou les deux caractères situés le plus à gauche correspondent au code de configuration. Les deux ou les trois caractères situés le plus à droite correspondent à la valeur du code de configuration.

**NOTE :** La première ligne de chaque code indique la configuration à l'usine pour les modèles PD. Les codes de paramétrage pour les modèles PR sont les mêmes, sauf indication contraire.

CODE	EXPLICATION
<u>606</u>	<b>PRIX POUR PROGRAMME RÉGULIER</b>
<u>606</u>	Ceci représente le nombre de pièces de 0,25 \$ (pièce 1) pour la mise en marche de la sècheuse; réglage dans la plage 0-39 (Voir le paramétrage b.xx de VALEUR DE LA PIÈCE 1). Pour faire augmenter le chiffre affiché entre 0-39, appuyer sur la touche WHITES & COLORS. Configuré à l'usine pour 6 pièces de 0,25 \$ = 1,50 \$.
<u>600</u>	MODÈLES PR : Configuré à l'usine pour 6 00 (0 pièce de 0,25 \$).
→ Appuyer une fois sur la touche PERM. PRESS pour passer au code suivant.	
<u>705</u>	<b>TEMPS DE SÉCHAGE RÉGULIER</b>
<u>705</u>	MODÈLES PD : Ceci représente le nombre de minutes de séchage par pièce de 0,25 \$ (pièce 1). Configuré à l'usine pour 5 minutes par pièce. Exemple : 6 pièces de 0,25 \$ x 5 minutes = 30 minutes. La touche WHITES & COLORS permet de faire varier la valeur dans la plage 1-99 minutes.
<u>745</u>	MODÈLES PR : Ceci représente la durée d'un programme gratuit. Exemple : '7 45' = 45 minutes.
→ Appuyer une fois sur la touche PERM. PRESS pour passer au code suivant.	
<u>800</u>	<b>TYPE DE TARIFICATION DU SÉCHAGE</b>
<u>800</u>	Programme fixe avec Top Off. Voir la description détaillée dans Information générale pour l'utilisateur.
<u>8FC</u>	MODÈLES PR SEULEMENT : Configuré à l'usine pour FC. Programme fixe. Voir la description détaillée dans Information générale pour l'utilisateur. Utiliser la touche DELICATES pour effectuer cette sélection.
→ Appuyer une fois sur la touche PERM. PRESS pour passer au code suivant.	
<u>900</u>	<b>OPTION DE COMPTAGE DU NOMBRE DE PROGRAMMES</b>
<u>900</u>	Cette option peut être Sélectionnée ('ON') ou Pas sélectionnée ('OFF').
<u>900</u>	Pas sélectionnée ('OFF').
<u>90C</u>	Option sélectionnée et impossibilité de désélection. Appuyer 3 fois consécutives sur la touche DELICATES pour sélectionner 'ON' (active). Lorsque 'ON' a été sélectionné, on ne peut désélectionner l'option.
→ Appuyer une fois sur la touche PERM. PRESS pour passer au code suivant.	

CODE	EXPLICATION
<u>1.00</u>	<b>OPTION COMPTEUR DE MONNAIE</b> Cette option peut être Sélectionnée ('ON') ou Pas sélectionnée ('OFF').
<u>1.00</u>	Pas sélectionnée ('OFF').
<u>1.00</u>	Option sélectionnée ('ON'). Appuyer 3 fois consécutives sur la touche DELICATES pour sélectionner 'ON' (active); appuyer 3 fois sur la touche pour désélectionner l'option (Pas sélectionnée ['OFF']). Le compteur passe de 'OFF' (inactive) à 'ON' (active). → Appuyer une fois sur la touche PERM. PRESS pour passer au code suivant.
<u>1.00</u>	Option sélectionnée et impossibilité de désélection. Pour sélectionner 'ON' avec impossibilité de désélection, sélectionner d'abord 'ON'. Puis en moins de deux secondes appuyer deux fois sur la touche DELICATES et une fois sur la WHITES & COLORS, et quitter le mode de paramétrage. → Appuyer une fois sur la touche PERM. PRESS pour passer au code suivant.
<u>2.00</u>	<b>OPTIONS DE PRIX SPÉCIAL</b> Cette option peut être Sélectionnée ('ON') ou Pas sélectionnée ('OFF').
<u>2.00</u>	Pas sélectionnée ('OFF').
<u>2.5P</u>	Option sélectionnée ('ON'). Appuyer une fois sur la touche DELICATES pour cette sélection. <b>Si l'OPTION DE PRIX SPÉCIAL est sélectionnée, on a accès aux codes '3.' à '9.'</b> → Appuyer une fois sur la touche PERM. PRESS pour passer au code suivant.
<b>OPTIONS À UTILISER APRÈS SÉLECTION DE PRIX SPÉCIAL :</b>	
<u>3.06</u>	<b>PRIX POUR PROGRAMME SPÉCIAL</b>
<u>3.06</u>	Ceci représente le nombre de pièces de 0,25 \$ (pièce 1) pour la mise en marche de la sècheuse; réglage dans la plage 0-39. (Voir le paramétrage b.xx de VALEUR DE LA PIÈCE 1). Pour faire augmenter le chiffre affiché entre 0-39, appuyer sur la touche WHITES & COLORS. Configuré à l'usine pour 6 pièces de 0,25 \$ = 1,50 \$.
<u>3.00</u>	MODÈLES PR : Configuré à l'usine pour 0 pièce de 0,25 \$. → Appuyer une fois sur la touche PERM. PRESS pour passer au code suivant.
<u>4.05</u>	<b>TEMPS DE SÉCHAGE SPÉCIAL</b>
<u>4.05</u>	MODÈLES PD : Ceci représente le nombre de minutes de séchage par pièce de 0,25 \$ (pièce 1). Configuré à l'usine pour 5 minutes par pièce. Exemple : 6 pièces de 0,25 \$ x 5 minutes = 30 minutes. La touche WHITES & COLORS (blancs et couleurs) permet de faire varier la valeur dans la plage 1-99 minutes.
<u>4.45</u>	MODÈLES PR : Ceci représente le nombre de minutes de la durée fixe d'un programme. Exemple : '4.45' = 45 minutes. → Appuyer une fois sur la touche PERM. PRESS pour passer au code suivant.
<u>5.00</u>	<b>HORLOGE - MINUTES</b>
<u>5.00</u>	Sélection du nombre de minutes pour l'HORLOGE; sélectionner une valeur de 0-59 minutes : appuyer sur la touche WHITES & COLORS. → Appuyer une fois sur la touche PERM. PRESS pour passer au code suivant.
<u>6.00</u>	<b>HORLOGE - HEURES</b> <b>NOTE :</b> Utilisation du format 24 h.
<u>6.00</u>	Sélection du nombre d'heures pour l'HORLOGE; sélectionner une valeur de 0-23 heures : appuyer sur la touche WHITES & COLORS. → Appuyer une fois sur la touche PERM. PRESS pour passer au code suivant.
<u>7.00</u>	<b>PRIX SPÉCIAL - HEURE DE COMMENCEMENT</b> <b>NOTE :</b> Utilisation du format 24 h.
<u>7.00</u>	Sélection de l'heure de commencement pour cette tarification; 0-23 heures. Sélectionner START HOUR (heure de commencement) : appuyer sur la touche WHITES & COLORS. → Appuyer une fois sur la touche PERM. PRESS pour passer au code suivant.

CODE	EXPLICATION
<b>OPTIONS À UTILISER APRÈS SÉLECTION DE PRIX SPÉCIAL (suite) :</b>	
<u>8.00</u>	<b>PRIX SPÉCIAL - HEURE D'EXPIRATION</b> <b>NOTE :</b> Utilisation du format 24 h.
<u>8.00</u>	Sélection de l'heure d'expiration pour cette tarification; 0-23 heures. Sélectionner STOP HOUR (heure d'expiration) : appuyer sur la touche WHITES & COLORS. → Appuyer une fois sur la touche PERM. PRESS pour passer au code suivant.
<u>9.10</u>	<b>JOUR POUR PRIX SPÉCIAL</b>
<u>9.10</u>	Ceci représente le jour de la semaine sélectionné, et la sélection de la tarification spéciale pour ce jour. Un chiffre suivi de '0' indique que cette option n'est pas sélectionnée pour le jour particulier concerné (9.10). Un chiffre suivi d'un 'S' indique que cette option est sélectionnée pour le jour concerné (9.1S). Pour sélectionner le jour de la semaine (1-7), appuyer sur la touche WHITES & COLORS. Appuyer une fois sur la touche DELICATES pour sélectionner l'option de prix spécial pour chaque jour choisi. Lorsqu'on quitte le code de paramétrage '9.', l'afficheur doit présenter le jour courant de la semaine : AFFICHEUR JOUR DE LA SEMAINE CODE (sélectionné) 10 Jour 1 = Dimanche 1S 20 Jour 2 = Lundi 2S 30 Jour 3 = Mardi 3S 40 Jour 4 = Mercredi 4S 50 Jour 5 = Jeudi 5S 60 Jour 6 = Vendredi 6S 70 Jour 7 = Samedi 7S → Appuyer une fois sur la touche PERM. PRESS pour passer au code suivant.
<u>8.00</u>	<b>OPTION AFFICHAGE DU CONTENU DU COFFRE</b> Cette option peut être Sélectionnée ('ON') ou Pas sélectionnée ('OFF').
<u>8.00</u>	Pas sélectionnée ('OFF').
<u>8.50</u>	Option sélectionnée ('ON'). Appuyer une fois sur la touche DELICATES pour cette sélection. Lorsque l'option est sélectionnée, le montant d'argent et/ou le nombre de programmes (si on a sélectionné le comptage) est visible lorsque la boîte à pièces a été enlevée. → Appuyer une fois sur la touche PERM. PRESS pour passer au code suivant.
<u>6.05</u>	<b>VALEUR DE LA PIÈCE 1</b>
<u>6.05</u>	Ceci représente la valeur de la pièce 1, en multiple de 0,05 \$. 05 = 0,25 \$. Par des pressions sur la touche WHITES & COLORS, on peut sélectionner une valeur de 1 à 199 (multiple de 0,05 \$). Avec une manoeuvre de la glissière d'insertion des pièces, ce paramètre présente le total de la vente, en multiples de 0,05 \$. Exemple : b.30 = 1,50 \$. → Appuyer une fois sur la touche PERM. PRESS pour passer au code suivant.
<u>0.20</u>	<b>VALEUR DE LA PIÈCE 2</b>
<u>0.20</u>	MODÈLES PD : Ceci représente la valeur de la pièce 2, en multiple de 0,05 \$. 20 = 1,00 \$. Par des pressions sur la touche WHITES & COLORS, on peut sélectionner une valeur de 1 à 199 (multiple de 0,05 \$).
<u>0.05</u>	MODÈLES PR : Pour un modèle avec utilisation du paiement amélioré par débit, ce champ représente la valeur du temps additionnel en multiple de 0,05 \$ (0,25 \$). Configurés à l'usine de C.05; ceci représente 5 x 0,05 \$, ou 0,25 \$. → Appuyer une fois sur la touche PERM. PRESS pour passer au code suivant.

CODE	EXPLICATION
<u>d</u> . <u>00</u>	<b>OPTION GLISSIÈRE À PIÈCES</b> Cette option peut être Sélectionnée ('ON') ou Pas sélectionnée ('OFF'). Le boîtier du compteur doit être remplacé pour le montage de la glissière à pièces.
<u>d</u> . <u>00</u>	Pas sélectionnée ('OFF').
<u>d</u> . <u>CS</u>	Option sélectionnée ('ON'). <b>NOTE</b> : Cette option devrait être réglée à '00' à moins que le boîtier du compteur ait été changé pour un dispositif de glissière à pièces. Appuyer 3 fois consécutives sur la touche DELICATES pour cette sélection. Lorsqu'on sélectionne le mode de glissière à pièces, sélectionner une valeur 'b.' égale à la valeur du prix d'utilisation, en multiples de 0,05 \$. Pour le nombre de manoeuvres de la glissière d'introduction des pièces, sélectionner '6 XX' (PRIX DU PROGRAMME RÉGULIER) et '3.XX' (PRIX DU PROGRAMME SPÉCIAL). <b>NOTE</b> : Si l'installateur sélectionne le paramétrage 'CS' sur un modèle à pièces, la sècheuse n'enregistrera pas les pièces insérées. → Appuyer une fois sur la touche PERM. PRESS pour passer au code suivant.
<u>E</u> . <u>00</u>	<b>OPTION ADDITION DE PIÈCES</b> Cette option peut être Sélectionnée ('ON') ou Pas sélectionnée ('OFF'). Cette option commande l'affichage du nombre de pièces (pièce 1) à insérer, plutôt que d'un montant monétaire.
<u>E</u> . <u>00</u>	Pas sélectionnée ('OFF').
<u>E</u> . <u>RC</u>	Option sélectionnée ('ON'). Appuyer 3 fois consécutives sur la touche DELICATES pour cette sélection. MODÈLES PR : Si le mode de paiement amélioré par débit est utilisé, cette option ne peut pas être sélectionnée. → Appuyer une fois sur la touche PERM. PRESS pour passer au code suivant.
<u>J</u> . <u>Ed</u>	<b>OPTION PIÈCES/DÉBIT</b>
<u>J</u> . <u>Ed</u>	Sélection du paiement par pièces et par carte de débit. Appuyer 3 fois consécutives sur la touche DELICATES pour changer cette sélection.
<u>J</u> . <u>Ed</u>	Paiement par pièces sélectionné; paiement par carte de débit désactivé. Appuyer 3 fois consécutives sur la touche DELICATES pour changer cette sélection.
<u>J</u> . <u>d</u>	Paiement par carte de débit sélectionné, paiement par pièces désactivé. Modèles PR sont configurés à l'usine pour J. <u>d</u> . MODÈLES PR EN CONFIGURATION PN SEULEMENT : Doit être réglé pour ' <u>d</u> '. Appuyer 3 fois consécutives sur la touche DELICATES pour changer cette sélection.
<u>J</u> . <u>Ed</u>	L'option de paiement améliorée/carte de débit est auto-sélectionnée lors de l'installation d'un lecteur de carte Génération 2 sur la sècheuse. On ne peut sélectionner/désélectionner manuellement l'option 'Ed'. → Appuyer une fois sur la touche PERM. PRESS pour passer au code suivant.
<u>L</u> . <u>00</u>	<b>OPTION SUPPRESSION DU PRIX</b> Cette option peut être Sélectionnée ('ON') ou Pas sélectionnée ('OFF'). Lorsque cette option est sélectionnée, l'afficheur présente le message 'ADD' (ajouter) ou 'AVAILABLE' (disponible) plutôt que le montant monétaire à ajouter. (Utilisation principalement avec l'emploi du paiement par carte de débit.)
<u>L</u> . <u>00</u>	Pas sélectionnée ('OFF').
<u>L</u> . <u>PS</u>	Option sélectionnée ('ON'). Appuyer une fois sur la touche DELICATES pour cette sélection. → Appuyer une fois sur la touche PERM. PRESS pour passer au code suivant.

CODE	EXPLICATION
<u>n</u> . <u>CE</u>	<b>OPTION EFFACEMENT DU MONTANT MÉMORISÉ</b> Cette option peut être Sélectionnée ('ON') ou Pas sélectionnée ('OFF'). Lorsque cette option est sélectionnée, un montant conservé en mémoire est effacé après 30 minutes sans autre activité.
<u>n</u> . <u>CE</u>	Option sélectionnée ('ON').
<u>n</u> . <u>00</u>	Pas sélectionnée ('OFF'). Appuyer une fois sur la touche DELICATES pour désélectionner cette option. → Appuyer une fois sur la touche PERM. PRESS pour passer au code suivant.
<u>U</u> . <u>00</u>	<b>INCRÉMENT CENTIME</b>
<u>U</u> . <u>00</u>	Ceci représente la valeur de l'incrément de prix utilisé sur le modèle PR Génération 2 (paiement par carte de débit/amélioration). Appuyer sur la touche WHITES & COLORS pour sélectionner une valeur de 0 à 4 centimes. → Appuyer une fois sur la touche PERM. PRESS pour passer au code suivant.

**Si le compteur de programme (9 0C) est sélectionné, ce qui suit est vrai :**

1 00	Représente le nombre de programmes, en CENTAINES.	1 <u>02</u> = 200
2 00	Représente le nombre de programmes, en UNITÉS.	2 <u>25</u> = 25
		TOTAL PROGRAMMES = 225
Cette information est 'SEULEMENT AFFICHÉE'; on ne peut l'effacer.		
Appuyer une fois sur la touche PERM. PRESS pour passer au code suivant.		

**Si le compteur monétaire (1.0C ou 1.C0) est sélectionné, ce qui suit est vrai :**

3 00	Nombre de dollars, en CENTAINES.	3 <u>01</u> = 100 \$
4 00	Nombre de dollars, en UNITÉS.	4 <u>68</u> = 68 \$
5 00	Nombre de CENTIMES.	5 <u>75</u> = 00,75 \$
		TOTAL = 168,75 \$

**FIN DES PROCÉDURES DE PARAMÉTRAGE**

**POUR QUITTER LE MODE DE PARAMÉTRAGE**

- MODÈLES PD : Réinstaller la porte d'accès pour entretien.
- MODÈLES PR : Retirer la carte de paramétrage.
- MODÈLES PR où le connecteur AA1 a été retiré :
  1. Débrancher la sècheuse ou déconnecter la source de courant électrique.
  2. Ouvrir la console, remettre en place le connecteur AA1; fermer la console.
  3. Brancher la sècheuse ou reconnecter la source de courant électrique.
- MODÈLES PR OÙ LE CODE D'ACCÈS POUR ENTRETIEN A ÉTÉ UTILISÉ : On peut quitter le mode de paramétrage en utilisant les procédures du Code d'accès pour entretien (voir à la page 44).  
→ Attendre 2 minutes sans l'activation de toutes les entrées.  
→ Déconnecter et puis reconnecter la source de courant électrique.



# GARANTIE DE LA LAVEUSE COMMERCIALE, DE LA SÈCHEUSE, DE LA SÈCHEUSE/SÈCHEUSE SUPERPOSÉE, DE L'ENSEMBLE DE BUANDERIE COMMERCIAL SUPERPOSÉ, ET DES LAVEUSES ET SÈCHEUSES COMMERCIALES MULTI-CHARGE PAYANTES MAYTAG®

## GARANTIE LIMITÉE (PIÈCES UNIQUEMENT - MAINS-D'OEUVRE NON INCLUS)

Pendant les cinq premières années à compter de la date d'achat d'origine, lorsque cet appareil ménager à usage commercial est installé, entretenue et utilisé conformément aux instructions jointes à ou fournies avec le produit, Maytag marque de Whirlpool Corporation (ci-après désignées "Maytag") paiera pour les pièces de rechange spécifiées par l'usine pour corriger les vices de matériaux ou de fabrication qui existaient déjà lorsque cet appareil ménager à usage commercial a été acheté. Cette garantie limitée n'inclut pas frais de main d'oeuvre.

LE SEUL ET EXCLUSIF RECOURS DU CLIENT DANS LE CADRE DE LA PRÉSENTE GARANTIE LIMITÉE CONSISTE EN LA RÉPARATION PRÉVUE CI-DESSUS. Maytag recommande que l'utilisateur emploie les services d'une agence "intra-réseau" pour diagnostiquer et réparer le produit de buanderie à usage commercial concerné. Maytag ne sera pas responsable de l'obtention de pièces de rechange supplémentaires dans le cadre de la présente garantie suite à un diagnostic erroné ou à une réparation erronée effectuée par un service de dépannage "hors réseau". Cette garantie limitée est valide aux États-Unis ou au Canada et s'applique exclusivement lorsque l'appareil ménager à usage commercial concerné est utilisé dans le pays où il a été acheté. La présente garantie limitée est valable à compter de la date d'achat initial par le consommateur. Une preuve de la date d'achat d'origine est exigée pour obtenir un dépannage dans le cadre de la présente garantie limitée.

## ÉLÉMENTS EXCLUS DE LA GARANTIE

### La présente garantie limitée ne couvre pas :

1. Tous autres frais y compris frais de main d'oeuvre, transport, frais d'expédition ou droits de douane pour les pièces couvertes.
2. Les pièces de rechange spécifiées par l'usine lorsque cet appareil ménager à usage commercial est utilisé à des fins autres qu'un usage commercial normal ou lorsque les instructions d'installation et/ou les instructions de l'opérateur ou de l'utilisateur fournies ne sont pas respectées.
3. Les visites de service pour rectifier l'installation de l'appareil ménager à usage commercial, montrer à l'utilisateur comment utiliser l'appareil ménager à usage commercial, remplacer ou réparer des fusibles ou rectifier le câblage ou la plomberie externe.
4. Les dommages imputables à : mauvaise manipulation du produit lors de la livraison, vol, accident, modification, usage impropre ou abusif, incendie, inondation, catastrophes naturelles, installation fautive ou non conforme aux codes locaux d'électricité ou de plomberie, ou l'utilisation de produits non approuvés par Maytag.
5. Le ramassage et la livraison. Cet appareil ménager à usage commercial est conçu pour être réparé sur site.
6. Les réparations des pièces ou systèmes résultant d'une modification non autorisée apportée à l'appareil ménager à usage commercial.
7. L'enlèvement et la réinstallation de l'appareil ménager à usage commercial si celui-ci est installé dans un endroit inaccessible ou n'est pas installé conformément aux instructions d'installation fournies.
8. Dommages entraînés par l'exposition du produit à des produits chimiques.
9. Des modifications apportées à l'immeuble, à la pièce ou aux lieux afin de permettre à l'appareil ménager à usage commercial de fonctionner correctement.
10. Les pièces de rechange spécifiées par l'usine pour les appareils ménagers à usage commercial dont les numéros de série et de modèle d'origine ont été supprimés, modifiés ou qui ne peuvent pas être facilement identifiés.
11. La décoloration au l'oxydation de surfaces en acier inoxydable ou encore l'apparition de rouille sur ces surfaces.
12. Les pièces de rechange spécifiées par l'usine suite à un diagnostic erroné ou à une réparation erronée effectuée par un service de dépannage "hors réseau".

**Le coût d'une réparation ou d'un remplacement dans le cadre de ces circonstances exclues est à la charge du client.**

## CLAUSE D'EXONÉRATION DE RESPONSABILITÉ AU TITRE DES GARANTIES IMPLICITES

LES GARANTIES IMPLICITES, Y COMPRIS LES GARANTIES APPLICABLES DE QUALITÉ MARCHANDE OU D'APTITUDE À UN USAGE PARTICULIER, SONT LIMITÉES À UN AN OU À LA PLUS COURTE PÉRIODE AUTORISÉE PAR LA LOI. Certains États et certaines provinces ne permettent pas de limitation sur la durée de garanties implicites de qualité marchande ou d'aptitude à un usage particulier, de sorte que la limitation ci-dessus peut ne pas être applicable dans votre cas. Cette garantie vous confère des droits juridiques spécifiques, et vous pouvez également jouir d'autres droits qui peuvent varier d'une juridiction à l'autre.

## EXONÉRATION DE RESPONSABILITÉ EN DEHORS DE LA GARANTIE

Maytag ne prend aucun engagement quant à la qualité ou la durabilité de l'appareil, ou en cas de dépannage ou de réparation nécessaire sur cet appareil ménager à usage commercial, autre que les engagements énoncés dans la présente garantie. Si vous souhaitez une garantie prolongée ou plus complète que la garantie limitée fournie avec cet appareil ménager à usage commercial, renseignez-vous auprès de Maytag ou de votre détaillant à propos de l'achat d'une extension de garantie.

## LIMITATION DES RECOURS; EXCLUSION DES DOMMAGES FORTUITS OU INDIRECTS

LE SEUL ET EXCLUSIF RECOURS DU CLIENT DANS LE CADRE DE LA PRÉSENTE GARANTIE LIMITÉE CONSISTE EN LA RÉPARATION PRÉVUE CI-DESSUS. MAYTAG N'ASSUME AUCUNE RESPONSABILITÉ POUR LES DOMMAGES FORTUITS OU INDIRECTS. Certains États et certaines provinces ne permettent pas l'exclusion ou la limitation des dommages fortuits ou indirects de sorte que ces limitations et exclusions peuvent ne pas être applicables dans votre cas. Cette garantie vous confère des droits juridiques spécifiques, et vous pouvez également jouir d'autres droits qui peuvent varier d'une juridiction à l'autre.

Si vous avez besoin de service, veuillez contacter votre distributeur autorisé de Maytag Commercial Laundry®. Pour localiser votre distributeur autorisé de Maytag Commercial Laundry®, composer le 1-800-662-3587, ou pour toute question via internet, consulter : [www.MaytagCommercialLaundry.com](http://www.MaytagCommercialLaundry.com).

Pour toute correspondance écrite :  
Maytag Commercial Laundry® Service Department  
2000 N M 63  
Benton Harbor, Michigan 49022-2632 USA

02/14

