

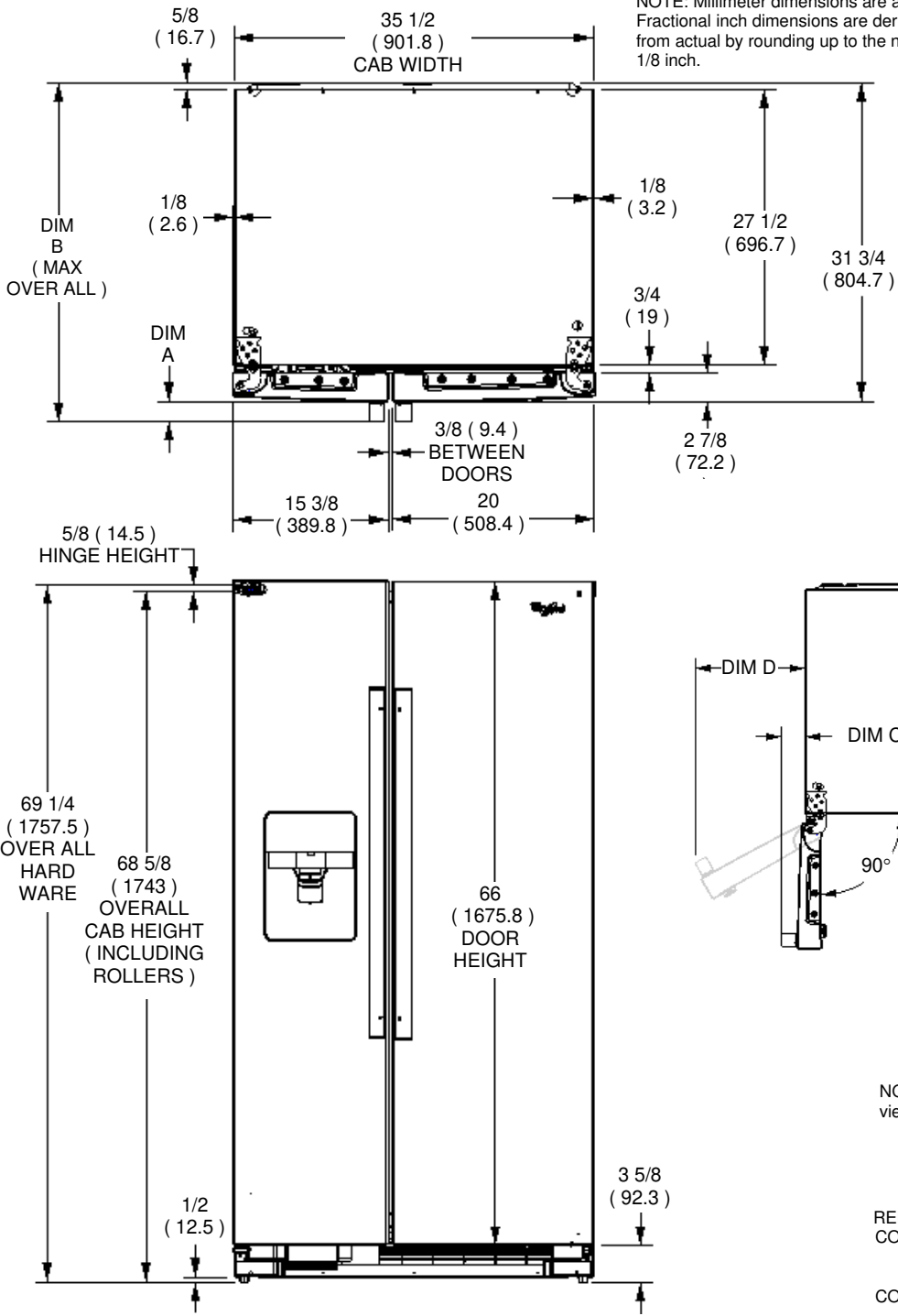
DIMENSION SPECIFICATIONS for: 25 cu. ft. Side by Side Refrigerator/Freezer

W11126832



NOTE: Millimeter dimensions are actual. Fractional inch dimensions are derived from actual by rounding up to the next 1/8 inch.

DIMENSIONS ARE FRACTIONAL INCHES AND MILLIMETERS IN PARENTHESES ()



MINIMUM CABINET OPENING:
WIDTH 36 (914.4) - inside baseboard trim
HEIGHT 69 1/8 (1755.7) - w/ half depth upper cabinets
 70 3/8 (1784.3) - w/ full depth upper cabinets

NOTE: Doors indicated by phantom lines in the view above are shown opened to the door stops.

INTERIOR DIMENSIONS

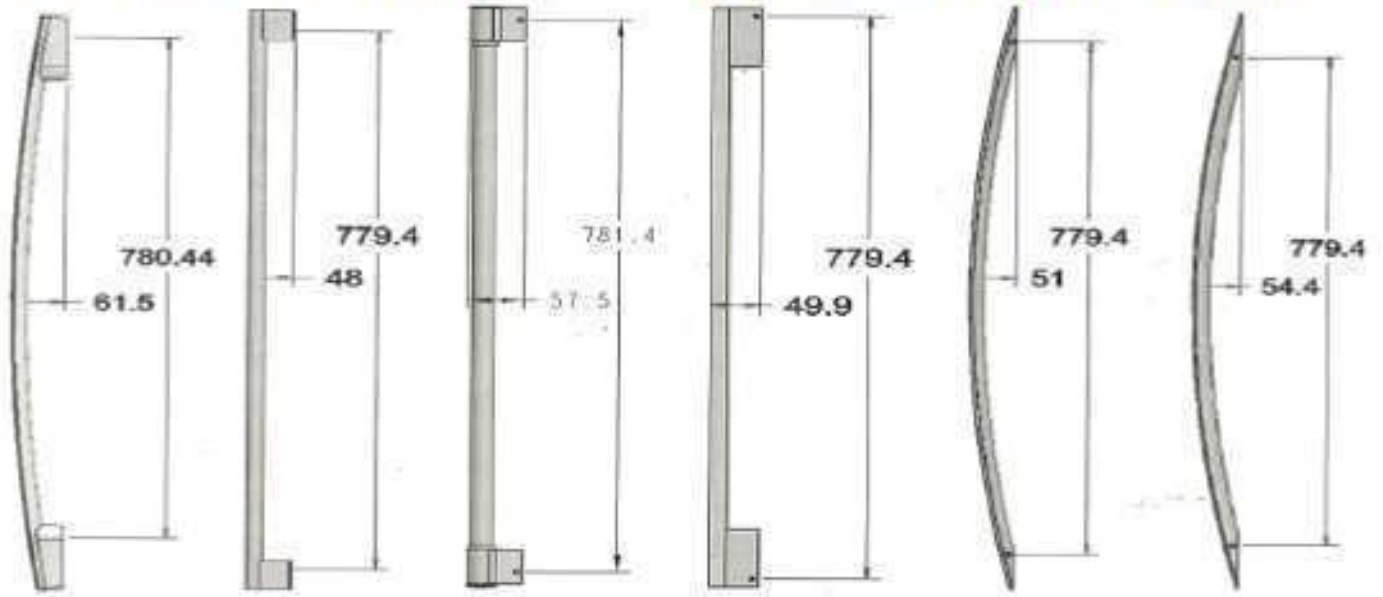
| | WIDTH | HEIGHT |
|--------------------------|------------------|-------------------|
| REFRIGERATOR COMPARTMENT | 17 1/2 (445.5) | 58 7/8 (1520) |
| FREEZER COMPARTMENT | 12 1/2 (317) | 59 3/8 (1508.3) |

TABULATION

| HANDLE GROUP | DIM A HANDLE HEIGHT FROM FACE OF DOOR | DIM B MAX OVERALL DEPTH | DIM C (MAXIMUM) | DIM D (MAXIMUM) | DIM E (MAXIMUM) |
|--------------|---|-------------------------------|----------------------|----------------------|----------------------|
| GROUP 1 | 2 (51) W10874778 | 33 5/8 (855.4) | 2 7/8 (73.8) | 13 3/8 (339.6) | 17 (433.2) |
| GROUP 2 | 2 (50) W10874779 | 33 5/8 (854.5) | 2 7/8 (73) | 13 (329.5) | 17 (433.4) |
| GROUP 3 | 1 7/8 (48) W10202819 | 33 5/8 (852.7) | 2 3/4 (71) | 13 (329.7) | 17 (433.6) |
| GROUP 4 | 2 1/8 (54.5) W10886627 | 33 7/8 (859) | 3 (77.5) | 13 3/8 (338.6) | 17 1/2 (442.8) |
| GROUP 5 | 2 1/4 (57.5) W10836782 | 34 (864) | 3 1/8 (80) | 13 1/8 (334.6) | 17 1/4 (438) |
| GROUP 6 | 2 3/8 (61.5) W10127803 | 34 1/8 (866) | 3 3/8 (84.6) | 13 1/2 (341.2) | 17 1/2 (445) |
| | | | | | |
| | | | | | |
| | | | | | |

- NOTES:**
- 1) Door opening required to move product (with doors and base grille removed): 29 1/4 in. (741.9 mm)
 - 2) Carton Size: 71 3/4 in. High x 38 1/8 in. Wide x 34 3/4 in. Deep (1820.8 mm) x (967.7 mm) x (882.4 mm)

W10127803 W10202819 W10836783 W10874799 W10874798 W10886627



| GROUP | NAME | BRAND | PART NUMBER |
|-------|------------|-----------|-------------|
| 1 | BREATHE | WHIRLPOOL | W10874798 |
| 2 | ASPIRE | WHIRLPOOL | W10874799 |
| 3 | NUTID | IKEA | W10202819 |
| 4 | KPX2 | KENMORE | W10886627 |
| 5 | STRAIGHT | MAYTAG | W10836783 |
| 6 | MID LENGTH | AMANA | W10227803 |

| REV | CHANGE | EN NO. | DATE | REV | CHANGE | EN NO. | DATE |
|-----|------------------------------|---------|-------------|-----|--------|--------|------|
| A | Release W11126832 | 2106206 | 29-May-2017 | | | | |
| B | Add Handles Group in sheet 2 | 2169720 | 09-Sep-2018 | | | | |
| | | | | | | | |
| | | | | | | | |