



ELECTRIC COOKTOP USER INSTRUCTIONS

For questions about features, operation/performance, parts, accessories or service, call: **1-800-688-9900**, or visit our website at **www.maytag.com**.

In Canada, call: **1-800-807-6777**, or visit our website at **www.maytag.ca**.

In Mexico, call: **(81) 8329-2100**, or visit our website at **www.maytag.mx**.

Model Number _____ Serial Number _____

Table of Contents

COOKTOP SAFETY	2
COOKTOP USE	4
COOKTOP CONTROLS	5
Dual Zone Element.....	5
Bridge Element.....	6
Ceramic Glass.....	6
Griddle.....	7
Home Canning	7
Cookware	7
COOKTOP CARE.....	8
General Cleaning.....	8
TROUBLESHOOTING	9
ASSISTANCE OR SERVICE	10
In the U.S.A.	10
Accessories	10
In Canada	10
In Mexico.....	10

COOKTOP SAFETY

Your safety and the safety of others are very important.

We have provided many important safety messages in this manual and on your appliance. Always read and obey all safety messages.



This is the safety alert symbol.

This symbol alerts you to potential hazards that can kill or hurt you and others.

All safety messages will follow the safety alert symbol and either the word "DANGER" or "WARNING."

These words mean:

 **DANGER**

You can be killed or seriously injured if you don't immediately follow instructions.

 **WARNING**

You can be killed or seriously injured if you don't follow instructions.

All safety messages will tell you what the potential hazard is, tell you how to reduce the chance of injury, and tell you what can happen if the instructions are not followed.

State of California Proposition 65 Warnings:

WARNING: This product contains one or more chemicals known to the State of California to cause cancer.

WARNING: This product contains one or more chemicals known to the State of California to cause birth defects or other reproductive harm.

IMPORTANT SAFETY INSTRUCTIONS

WARNING: To reduce the risk of fire, electrical shock, injury to persons, or damage when using the cooktop, follow basic precautions, including the following:

- **CAUTION:** Do not store items of interest to children in cabinets above a cooktop – Children climbing on the cooktop to reach items could be seriously injured.
- Proper Installation – Be sure your cooktop is properly installed and grounded by a qualified technician.
- Never Use Your Cooktop for Warming or Heating the Room.
- Do Not Leave Children Alone – Children should not be left alone or unattended in area where cooktop is in use. They should never be allowed to sit or stand on any part of the cooktop.
- This appliance is not intended for use by people (including children) whose physical, sensory or mental capacities are different or impaired or who lack the necessary experience or knowledge/expertise to do so, unless such persons are supervised or are trained to operate the appliance by a person who accepts responsibility for their safety.
- Wear Proper Apparel – Loose-fitting or hanging garments should never be worn while using the cooktop.
- User Servicing – Do not repair or replace any part of the cooktop unless specifically recommended in the manual. All other servicing should be referred to a qualified technician.
- Storage on Cooktop – Flammable materials should not be stored near surface units.
- **WARNING:** Failing to supervise an electric grill when cooking on it with oil or fat is dangerous and constitutes a fire hazard.
- Do Not Use Water on Grease Fires – Smother fire or flame or use dry chemical or foam-type extinguisher.
- Use Only Dry Potholders – Moist or damp potholders on hot surfaces may result in burns from steam. Do not let potholder touch hot heating elements. Do not use a towel or other bulky cloth.
- DO NOT TOUCH SURFACE UNITS OR AREAS NEAR UNITS – Surface units may be hot even though they are dark in color. Areas near surface units may become hot enough to cause burns. During and after use, do not touch, or let clothing or other flammable materials contact surface units or areas near units until they have had sufficient time to cool. Among those areas are the cooktop and surfaces facing the cooktop.
- Use Proper Pan Size – This cooktop is equipped with one or more surface units of different size. Select utensils having flat bottoms large enough to cover the surface unit heating element. The use of undersized utensils will expose a portion of the heating element to direct contact and may result in ignition of clothing. Proper relationship of utensil to burner will also improve efficiency.

- Never Leave Surface Units Unattended at High Heat Settings – Boilover causes smoking and greasy spillovers that may ignite.
- **CAUTION:** The cooking process should be supervised. Short cooking periods require constant supervision.
- Glazed Cooking Utensils – Only certain types of glass, glass/ceramic, ceramic, earthenware, or other glazed utensils are suitable for cooktop service without breaking due to the sudden change in temperature.
- Utensil Handles Should Be Turned Inward and Not Extend Over Adjacent Surface Units – To reduce the risk of burns, ignition of flammable materials, and spillage due to unintentional contact with the utensil, the handle of a utensil should be positioned so that it is turned inward, and does not extend over adjacent surface units.
- Metal objects, such as knives, forks, spoons and lids should not be left on the grill's cooking surface as they may get hot.
- Do Not Cook on Broken Cooktop – If cooktop should break, cleaning solutions and spillovers may penetrate the broken cooktop and create a risk of electric shock. Contact a qualified technician immediately. Turn off the device to avoid the possibility of electric shock.
- If the power supply cord gets damaged, have it replaced by the manufacturer, the latter's service agent or by qualified personnel in order to avoid danger.
- Clean Cooktop With Caution – If a wet sponge or cloth is used to wipe spills on a hot cooking area, be careful to avoid steam burn. Some cleaners can produce noxious fumes if applied to a hot surface.
- The device is not designed to be started up by an external timer or by a separate remote control system.

For units with ventilating hood

- Clean Ventilating Hoods Frequently – Grease should not be allowed to accumulate on hood or filter.
- When flaming foods under the hood, turn the fan on.

For units with coil elements

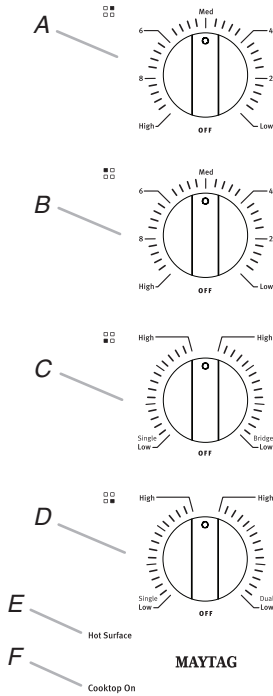
- Make Sure Reflector Pans or Drip Bowls Are in Place – Absence of these pans or bowls during cooking may subject wiring or components underneath to damage.
- Protective Liners – Do not use aluminum foil to line surface unit drip bowls, except as suggested in the manual. Improper installation of these liners may result in a risk of electric shock, or fire.
- Do Not Soak Removable Heating Elements - Heating elements should never be immersed in water.

SAVE THESE INSTRUCTIONS

COOKTOP USE

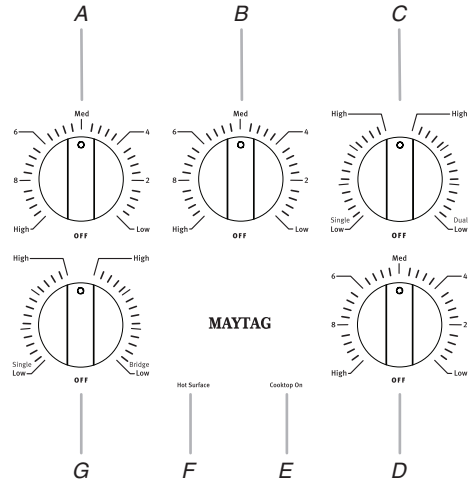
This manual covers different models. The cooktop you have purchased may have some or all of the items listed. The locations and appearances of the features shown here may not match those of your model.

30" (76.2 cm) Control panel



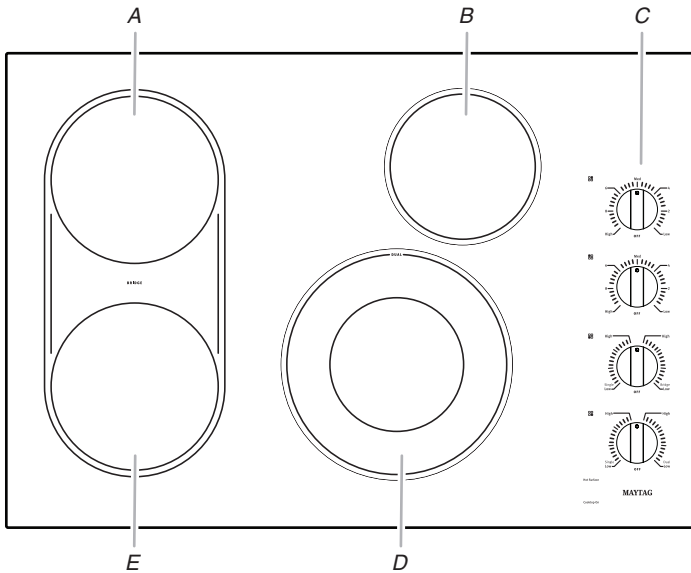
- A. Right rear control knob
- B. Left rear control knob
- C. Left front control knob
- D. Right front control knob
- E. Hot surface indicator light
- F. Cooktop on indicator light

36" (91.4 cm) Control panel



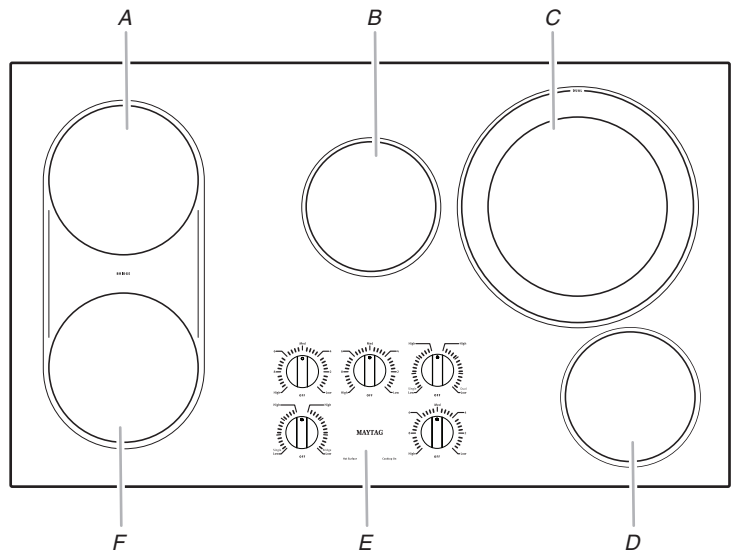
- A. Left rear control knob
- B. Center rear control knob
- C. Right rear control knob
- D. Right front control knob
- E. Cooktop on indicator light
- F. Hot surface indicator light
- G. Left front control knob

30" (76.2 cm) Cooktop



- A. Left rear cooking surface
- B. Right rear cooking surface
- C. Control panel
- D. Right front dual element cooking surface
- E. Left front cooking surface (With bridge)

36" (91.4 cm) Cooktop



- A. Left rear cooking surface
- B. Center rear cooking surface
- C. Right rear dual element cooking surface
- D. Right front cooking surface
- E. Control panel
- F. Left front cooking surface (With bridge)

COOKTOP CONTROLS

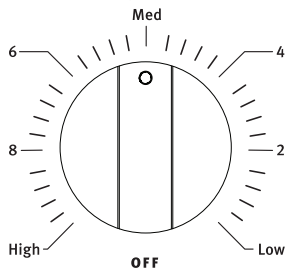
⚠ WARNING



Fire Hazard

**Turn off all controls when done cooking.
Failure to do so can result in death or fire.**

The control knobs can be set to anywhere between HIGH and LOW. Push in and turn to setting.



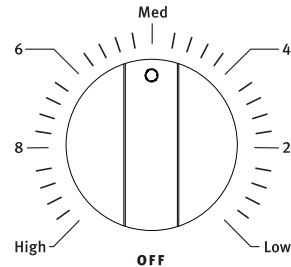
The surface cooking area locator shows which element is turned on. Use the following chart as a guide when setting heat levels

SETTING	RECOMMENDED USE
HIGH	<ul style="list-style-type: none"> Start food cooking. Bring liquid to a boil. For best results, use the Speed Heat™ (left rear) Cooking zone, using cookware appropriate in size.
Medium High	<ul style="list-style-type: none"> Hold a rapid boil. Quickly brown or sear food.
Medium	<ul style="list-style-type: none"> Maintain a slow boil. Fry or sauté foods. Cook soups, sauces and gravies. High simmer or simmer without lids.
Medium Low	<ul style="list-style-type: none"> Stew or steam food. Simmer.
LOW	<ul style="list-style-type: none"> Keep food warm. Melt chocolate or butter. For best results, use the left front element on 30" (76.2 cm) models MEC7430/ MEC9530. Use the center rear element for 36" (91.4 cm) models MEC9536. Low simmer using lids.
Dual Elements	<ul style="list-style-type: none"> Home canning. Large-diameter cookware. Large quantities of food.

REMEMBER: When cooktop is in use, the entire cooktop area may become hot.

Speed Heat™ Element

The Speed Heat™ Element (left rear element) offers flexibility for 2 heating choices: Speed Heat™ High and low heat. Speed Heat™ High boils liquid faster. The lower heat option (single element) can be used to prepare sauces, to brown or saute foods and to keep food at a low temperature. Use cookware appropriate in size for the Speed Heat™ Element.



A. Speed Heat™ Element Control with Speed Heat HIGH (on some models)

Hot Surface Indicator Light

This unit features a Hot Surface Indicator Light. The Hot Surface Indicator Light will glow as long as any surface cooking area is too hot to touch, even after the surface cooking area(s) is turned off.

Cooktop On Indicator Light

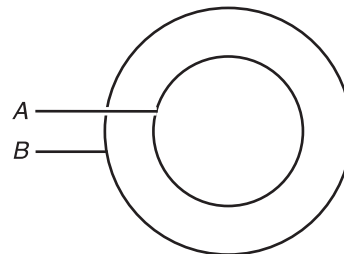
Each cooktop has a Cooktop On Indicator light. When a control knob is on, the light will glow.

Dual Zone Element (on some models)

The dual zone elements offer flexibility depending on the size of the cookware. Single size can be used in the same way as a regular element. The dual sizes combine single and dual elements and are recommended for larger cookware, large quantities of food, and home canning.

For best High heat performance, match burner to cookware size. For best Low heat or Simmer performance, match cookware to largest cooking area ring and use single ring for desired performance.

Dual Zone Element (on some models)



A. Single size
B. Dual size

To Use SINGLE:

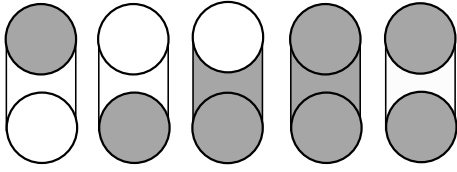
1. Push in and turn knob from the OFF position to the SINGLE zone anywhere between LOW and HIGH.
2. Turn knob to OFF when finished.

To Use DUAL:

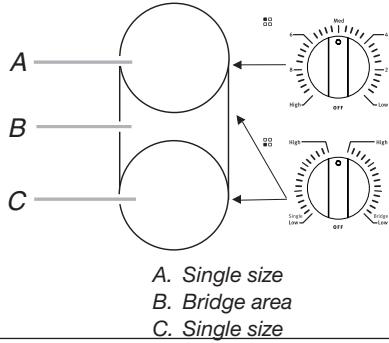
1. Push in and turn knob from the OFF position to the DUAL zone anywhere between LOW and HIGH.
2. Turn knob to OFF when finished.

Bridge Element (on some models)

The bridge element allows flexibility in the left side cooking area.



Use the bridge area to create an oblong heated area to cook with large cookware.



Use the bridge element to create an oblong heated area to cook with oblong pans.

To use **SINGLE (C):**

1. Push in and turn front left knob from OFF position to the SINGLE zone anywhere between Low and High.
2. Turn knob to OFF when finished.

To use **SINGLE and BRIDGE area (C + B):**

1. Push in and turn front left knob from OFF position to the BRIDGE zone anywhere between Low and High.
2. Turn knob to OFF when finished.

To use **SINGLE (A):**

1. Push in and turn rear left knob from OFF position anywhere between Low and High.
2. Turn knob to OFF when finished.

To use both **Single elements and Bridge (A + B + C):**

1. Turn on Single and Bridge (C + B).
2. Turn on Single (A).
3. Turn knobs to OFF when finished.

Ceramic Glass

The surface cooking area will glow red when an element is on. Some parts of the surface cooking area may not glow red when an element is on. This is normal operation. The burner will cycle on and off to maintain the selected heat level. It will also randomly cycle off and back on again, even while on High, to keep the cooktop from extreme temperatures.

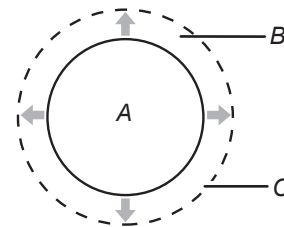
It is normal for the surface of light colored ceramic glass to appear to change color when surface cooking areas are hot. As

the glass cools, it will return to its original color.

Cleaning off the cooktop before and after each use will help keep it free from stains and provide the most even heating. On cooktops with light colored ceramic glass, soils and stains may be more visible, and may require more cleaning and attention. Cooktop cleaner and a cooktop scraper are recommended. For more information, see "General Cleaning" section.

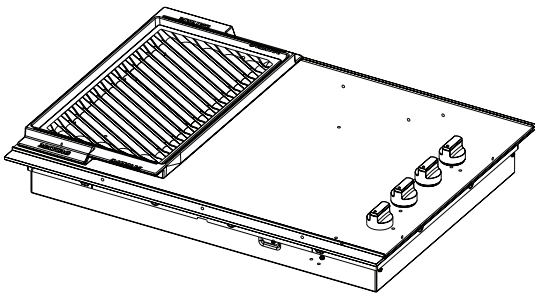
- Avoid storing jars or cans above the cooktop. Dropping a heavy or hard object onto the cooktop could crack the cooktop.
- To avoid damage to the cooktop, do not leave a hot lid on the cooktop. As the cooktop cools, air can become trapped between the lid and the cooktop, and the ceramic glass could break when the lid is removed.
- For foods containing sugar in any form, clean up all spills and soils as soon as possible. Allow the cooktop to cool down slightly. Then, while wearing oven mitts, remove the spills using a scraper while the surface is still warm. If sugary spills are allowed to cool down, they can adhere to the cooktop and can cause pitting and permanent marks.
- To avoid scratches, do not slide cookware or bakeware across the cooktop. Aluminum or copper bottoms and rough finishes on cookware or bakeware could leave scratches or marks on the cooktop.
- Do not cook popcorn in prepackaged aluminum containers on the cooktop. They could leave aluminum marks that cannot be removed completely.
- To avoid damage to the cooktop, do not allow objects that could melt, such as plastic or aluminum foil, to touch any part of the entire cooktop.
- To avoid damage to the cooktop, do not use the cooktop as a cutting board.

- Use cookware about the same size as the surface cooking area. Cookware should not extend more than ½" (1.3 cm) outside the area.



- Use flat-bottomed cookware for best heat conduction and energy efficiency. Cookware with rounded, warped, ribbed or dented bottoms could cause uneven heating and poor cooking results.
- Determine flatness by placing the straight edge of a ruler across the bottom of the cookware. While you rotate the ruler, no space or light should be visible between it and the cookware.
- Cookware designed with slightly indented bottoms or small expansion channels can be used.
- Make sure the bottoms of pots and pans are clean and dry before using them. Residue and water can leave deposits when heated.
- To avoid damage to the cooktop, do not cook foods directly on the cooktop.

Griddle



Griddle installed on Bridge element (left side)

To Use the Griddle:

1. Locate the griddle on the Bridge Element (Left side) as shown.
2. Before each use, brush on a thin layer of cooking oil to keep food from sticking. Cooking sprays may leave a sticky residue on the griddle that is hard to remove.
3. For best results, preheat the griddle for 5 minutes. Preheating the griddle slowly will ensure even heat distribution and will avoid warping the griddle.
4. For preheating and cooking, set both zones of the Bridge Element to the same heat setting for best and even performance.

To Clean the Griddle:

1. Let the griddle cool, and then empty the drip tray.
2. See the “General Cleaning” section for cleaning instructions.
3. Store griddle in a cool dry place.

Home Canning

When canning for long periods, alternate the use of surface cooking areas, elements or surface burners between batches.

This allows time for the most recently used areas to cool.

- Center the canner on the grate or largest surface cooking area or element. On electric cooktops, canners should not extend more than 1/2" (1.3 cm) beyond the surface cooking area or element.
- Do not place canner on 2 surface cooking areas, elements or surface burners at the same time.
- On ceramic glass models, use only flat-bottomed canners.
- On coil element models, the installation of a Canning Unit Kit is recommended. If a kit is not installed, the life of the coil element will be shortened. See “Assistance or Service” for instructions on how to order.
- For more information, contact your local agricultural department. Companies that manufacture home canning products can also offer assistance.

Cookware

IMPORTANT: Do not leave empty cookware on a hot surface cooking area, element or surface burner.

Ideal cookware should have a flat bottom, straight sides, and a well-fitting lid and the material should be of medium-to-heavy thickness.

Rough finishes may scratch the cooktop. Aluminum and copper may be used as a core or base in cookware. However, when used as a base they can leave permanent marks on the cooktop or grates.

Cookware material is a factor in how quickly and evenly heat is transferred, which affects cooking results. A nonstick finish has the same characteristics as its base material.

For example, aluminum cookware with a nonstick finish will take on the properties of aluminum.

Cookware	Characteristics
Aluminum	<ul style="list-style-type: none">■ Heats quickly and evenly■ Suitable for all types of cooking.■ Medium or heavy thickness is best for most cooking tasks.
Cast iron	<ul style="list-style-type: none">■ Heats slowly and evenly.■ Good for browning and frying.■ Maintains heat for slow cooking.
Ceramic or Ceramic glass	<ul style="list-style-type: none">■ Follow manufacturer’s instructions.■ Heats slowly, but unevenly.■ Ideal results on low to medium heat settings.
Copper	<ul style="list-style-type: none">■ Heats very quickly and evenly.
Earthenware	<ul style="list-style-type: none">■ Follow manufacturer’s instructions.■ Use on low heat settings.
Porcelain enamel-on-steel or cast iron	<ul style="list-style-type: none">■ See stainless steel or cast iron.
Stainless steel	<ul style="list-style-type: none">■ Heats quickly, but unevenly.■ A core or base of aluminum or copper on stainless steel provides even heating.

COOKTOP CARE

General Cleaning

IMPORTANT: Before cleaning, make sure all controls are off and the oven and cooktop are cool. Always follow label instructions on cleaning products.

Soap, water and a soft cloth or sponge are suggested first unless otherwise noted.

Do not use a steam cleaner.

STAINLESS STEEL (on some models)

To avoid damage to stainless steel surfaces, do not use soapfilled scouring pads, abrasive cleaners, Cooktop Cleaner, steelwool pads, gritty washcloths or abrasive paper towels. Cleaning Method:

Rub in direction of grain to avoid damaging.

- Affresh® Stainless Steel Cleaner and Polish (Part Number W10355016) (not included): See “Assistance or Service” section to order.
- All-purpose cleaner: Rinse with clean water and dry with soft, lint-free cloth.

COOKTOP CONTROLS

To avoid damage to the cooktop controls, do not use steel wool, abrasive cleansers or oven cleaner.

To avoid damage, do not soak knobs.

When replacing knobs, make sure knobs are in the Off position. On some models, do not remove seals under knobs.

Cleaning Method:

- Soap and water:
Pull knobs straight away from control panel to remove.
- Dishwasher:
Pull knobs straight away from control panel to remove.

GRIDDLE

To avoid damaging the nonstick surface, do not use steel wool and abrasive cleaners.

Cleaning

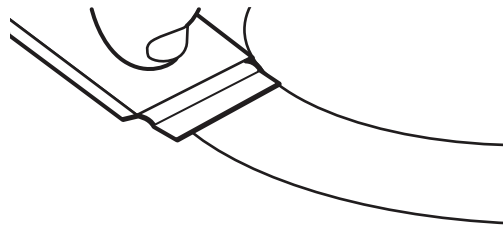
- Mild detergent

CERAMIC GLASS

TCleaning Method:

To avoid damaging the cooktop, do not use steel wool, abrasive powder cleansers, chlorine bleach, rust remover, or ammonia.

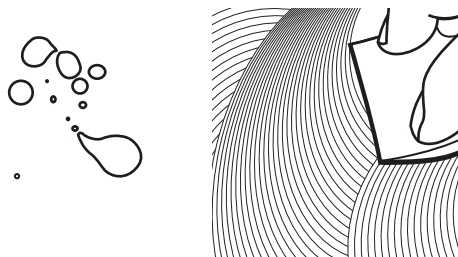
1. Remove food/residue with the Cooktop Scraper.



- For best results, use the Cooktop Scraper while the cooktop is still warm but not hot to the touch. It is recommended to wear an oven mitt while scraping the warm cooktop.
- Hold the Cooktop Scraper at approximately a 45° angle against the glass surface and scrape the residue. It will be necessary to apply pressure in order to remove the residue.

Allow the cooktop to cool down completely before proceeding to Step 2.

2. Apply a few dime-sized drops of affresh® Cooktop Cleaner to the affected areas.



- Rub affresh® Cooktop Cleaner onto the cooktop surface with the blue Cooktop Cleaning Pad. Some pressure is needed to remove stubborn stains.
- Allow the cleaner to dry to a white haze before proceeding to Step 3.

3. Polish with a clean, dry cloth or a clean, dry paper towel.



- Repeat steps 1 through 3 as necessary for stubborn or burned-on stains. The Complete Cooktop Cleaner Kit is available for order and includes the following:

- Cooktop Scraper
- Affresh® Cooktop Cleaner
- Blue Cooktop Cleaning Pads

See the “Accessories” section for part numbers and information on ordering.

TROUBLESHOOTING

Try the solutions suggested here first in order to avoid the cost of an unnecessary service call. If you need further assistance or more recommendations that may help you avoid a service call, refer to the warranty page in this manual, or visit <http://www.maytag.com>. In Canada, visit <http://www.maytag.ca>. In Mexico, visit <http://www.maytag.mx/servicio>.

Contact us by mail with any questions or concerns at the address below.

In the U.S.A.:

Maytag Brand Home Appliances
Customer eXperience Center
553 Benson Road
Benton Harbor, MI 49022-2692

In Canada:

Whirlpool Canada LP
Customer eXperience Center
200 - 6750 Century Ave.
Mississauga, Ontario L5N 0B7

In Mexico:

Whirlpool México, S. de R.L. de C.V.
Carretera Miguel Alemán Km 16.13
Col. El Milagro Apodaca, Nuevo León
México C.P. 66634

Please include a daytime phone number in your correspondence.

Nothing will operate

- **Has a household fuse blown, or has a circuit breaker tripped?**
Replace the fuse or reset the circuit breaker. If the problem continues, call an electrician.
- **Is the cooktop wired properly?**
See Installation Instructions.

Cooktop will not operate

- **Is the control knob set correctly?**
Push in knob before turning to a setting.

Excessive heat around cookware on cooktop

- **Is the cookware the proper size?**
Use cookware about the same size as the surface cooking area, element or surface burner. Cookware should not extend more than 1/2" (1.3 cm) outside the cooking area.

Cooktop cooking results not what expected

- **Is the proper cookware being used?**
See "Cookware" section.
- **Is the control knob set to the proper heat level?**
See "Cooktop Controls" section.
- **Is the cooktop level?**
Level the cooktop. See the Installation Instructions.

A vapor is being emitted from the knobs of the cooktop

- **Is the cooktop in its first use(s)?**
During the first use(s), a vapor may be seen exiting the holes around the knobs of the cooktop. This behavior is normal and should disappear after use.

ASSISTANCE OR SERVICE

Before calling for assistance or service, please check “Troubleshooting.” It may save you the cost of a service call. If you still need help, follow the instructions below.

When calling, please know the purchase date and the complete model and serial number of your appliance. This information will help us to better respond to your request.

If you need replacement parts

If you need to order replacement parts, we recommend that you use only factory specified parts. Factory specified parts will fit right and work right because they are made with the same precision used to build every new MAYTAG® appliance.

To locate factory specified parts in your area, call the following customer assistance telephone number or your nearest designated service center.

In the U.S.A.

Call Maytag Customer eXperience Center toll free:

1-800-688-9900, or visit our website at **www.maytag.com**

Our consultants provide assistance with:

- Features and specifications on our full line of appliances.
- Installation information.
- Use and maintenance procedures.
- Accessory and repair parts sales.
- Specialized customer assistance (Spanish speaking, hearing impaired, limited vision, etc.).
- Referrals to local dealers, repair parts distributors and service companies. Maytag® appliances designated service technicians are trained to fulfill the product warranty and provide after-warranty service, anywhere in the United States.

To locate the Maytag® appliances designated service company in your area, you can also look in your telephone directory Yellow Pages.

For further assistance

If you need further assistance, you can write to Maytag® appliances with any questions or concerns at:

Maytag Brand Home Appliances
Customer eXperience Center
553 Benson Road
Benton Harbor, MI 49022-2692

Please include a daytime phone number in your correspondence.

Accessories

Cooktop Cleaner

(ceramic glass models)
Order Part Number 31464

Cooktop Protectant

(ceramic glass models)
Order Part Number 31463

Cooktop Scraper

(ceramic glass models)
Order Part Number WA906B

Affresh® Stainless Steel Cleaner and Polish

(stainless steel models)
Order Part Number W10355016

Affresh® Cooktop Cleaner

Order Part Number W10355051

In Canada

Call the Whirlpool Canada LP Customer eXperience Centre toll free **1-800-807-6777** or visit our website at **www.maytag.ca**.

Our consultants provide assistance with:

- Features and specifications on our full line of appliances.
- Use and maintenance procedures.
- Accessory and repair parts sales.
- Referrals to local dealers, repair parts distributors and service companies. Maytag® appliances designated service technicians are trained to fulfill the product warranty and provide after-warranty service, anywhere in Canada.

For further assistance

If you need further assistance, you can write to Whirlpool Canada LP with any questions or concerns at:

Whirlpool Canada LP
Customer eXperience Centre
200 - 6750 Century Ave
Mississauga, Ontario L5N 0B7

Please include a daytime phone number in your correspondence.

In Mexico

Call the Whirlpool Service Center:

Teléfono: **(81) 8329-2100** Dentro de la Republica Mexicana
Teléfono: **01 (81) 8329-2100** or visit **www.maytag.mx/servicio**.

For further assistance

If you need further assistance, you can write to Whirlpool Properties with any questions or concerns at:

Whirlpool México, S. de R.L. de C.V.
Carretera Miguel Alemán Km 16.13,
Col. El Milagro, Apodaca,
Nuevo León, México, C.P. 66634

Please include a daytime phone number in your correspondence.



INSTRUCTIONS D'UTILISATION DE LA TABLE DE CUISSON ÉLECTRIQUE

Pour des questions à propos des éléments suivants : caractéristiques, fonctionnement/rendement, pièces, accessoires ou entretien/dépannage, composer le : **1 800 688-9900** ou visiter notre site Web sur **www.maytag.com**.

Au Canada, composer le : **1 800 807-6777** ou visiter notre site Web au **www.maytag.ca**.

Au Mexique, composer le : **(81) 8329-2100** ou visiter notre site Web au **www.maytag.mx**.

Numéro de modèle _____

Numéro de série _____

Table des matières

SÉCURITÉ DE LA TABLE DE CUISSON	12
UTILISATION DE LA TABLE DE CUISSON	14
COMMANDES DE LA TABLE DE CUISSON	15
Élément de cuisson Dual Zone (double zone)	15
Élément Bridge (de liaison)	16
Vitrocéramique	16
Plaque à frire	17
Mise en conserve à la maison.....	17
Ustensile de cuisson	17
ENTRETIEN DE LA TABLE DE CUISSON	18
Nettoyage général	18
DÉPANNAGE.....	19
ASSISTANCE OU SERVICE	20
Aux É.-U.	20
Accessoires	20
Au Canada.....	20
Au Mexique	20

SÉCURITÉ DE LA TABLE DE CUISSON

Votre sécurité et celle des autres est très importante.

Nous donnons de nombreux messages de sécurité importants dans ce manuel et sur votre appareil ménager. Assurez-vous de toujours lire tous les messages de sécurité et de vous y conformer.



Voici le symbole d'alerte de sécurité.

Ce symbole d'alerte de sécurité vous signale les dangers potentiels de décès et de blessures graves à vous et à d'autres.

Tous les messages de sécurité suivront le symbole d'alerte de sécurité et le mot "DANGER" ou "AVERTISSEMENT". Ces mots signifient :

! DANGER

Risque possible de décès ou de blessure grave si vous ne suivez pas immédiatement les instructions.

! AVERTISSEMENT

Risque possible de décès ou de blessure grave si vous ne suivez pas les instructions.

Tous les messages de sécurité vous diront quel est le danger potentiel et vous disent comment réduire le risque de blessure et ce qui peut se produire en cas de non-respect des instructions.

Avertissements de la proposition 65 de l'État de Californie :

AVERTISSEMENT : Ce produit contient au moins un produit chimique connu par l'État de Californie pour être à l'origine de cancers.

AVERTISSEMENT : Ce produit contient au moins un produit chimique connu par l'État de Californie pour être à l'origine de malformations et autres déficiences de naissance.

IMPORTANTES INSTRUCTIONS DE SÉCURITÉ

AVERTISSEMENT : Pour réduire le risque d'incendie, de choc électrique, de blessures ou de dommages lors de l'utilisation de la table de cuisson, observer les précautions élémentaires suivantes, y compris ce qui suit :

- **MISE EN GARDE** : Ne pas remiser dans les armoires au-dessus d'une table de cuisson, des articles que des enfants pourraient vouloir atteindre. Les enfants pourraient se brûler ou se blesser en grim pant sur la table de cuisson.
- Installation appropriée – S'assurer que la table de cuisson est correctement installée et reliée à la terre par un technicien qualifié.
- Ne jamais utiliser la table de cuisson pour réchauffer ou chauffer la pièce.
- Ne pas laisser les enfants seuls – Les enfants ne doivent pas être laissés seuls ou sans surveillance dans la pièce où la table de cuisson est en service. Ne jamais laisser les enfants s'asseoir ou se tenir sur une partie quelconque de la table de cuisson.
- Cet appareil ne convient pas à une utilisation par des personnes (y compris des enfants) dont les capacités physiques, sensorielles ou mentales sont différentes ou réduites ou qui ne possèdent pas l'expérience, les connaissances ou l'expertise nécessaire, à moins d'être supervisées ou d'avoir reçu des instructions concernant l'utilisation par une personne responsable de leur sécurité.
- Porter des vêtements appropriés – Des vêtements amples ou détachés ne doivent jamais être portés pendant l'utilisation de la table de cuisson.
- Entretien par l'utilisateur – Ne pas réparer ou remplacer toute pièce de la table de cuisson si ce n'est pas spécifiquement recommandé dans le manuel. Toute autre opération d'entretien ou de réparation doit être confiée à un technicien qualifié.
- Remisage sur la table de cuisson – Des matériaux inflammables ne doivent pas être remisés près des éléments à la surface.
- **AVERTISSEMENT** : Ne pas surveiller le gril électrique pendant la cuisson d'huile ou de gras est dangereux et représente un risque d'incendie.
- Ne pas utiliser d'eau sur un feu de graisse – Éteindre le feu ou la flamme ou utiliser un extincteur à produits chimiques secs ou à mousse.
- N'utiliser que des mitaines de four sèches – Des mitaines de four mouillées ou humides sur des surfaces chaudes peuvent provoquer des brûlures provenant de la vapeur. Ne pas laisser les mitaines de four toucher les éléments chauffants. Ne pas utiliser une serviette ou autre tissu épais.
- **NE PAS TOUCHER LES ÉLÉMENTS À LA SURFACE OU L'ESPACE PRÈS DES ÉLÉMENTS** – Les éléments de surface peuvent être chauds même lorsqu'ils ont une teinte foncée. Les endroits près des éléments à la surface peuvent devenir assez chauds pour provoquer des brûlures. Pendant et après l'utilisation, ne pas toucher les éléments chauffants et ne pas laisser les vêtements ou autres matériaux inflammables entrer en contact avec ces éléments de surface ou les endroits près des éléments, avant qu'ils soient suffisamment refroidis. Ces endroits comprennent la table de cuisson et les surfaces près de la table de la cuisson.
- Utiliser des ustensiles de format approprié – La table de cuisson est munie d'un ou de plusieurs éléments chauffants de différentes grandeurs. Choisir les ustensiles qui ont un fond plat assez grand pour couvrir l'élément chauffant de la surface de cuisson. L'utilisation d'ustensiles trop petits exposera une partie de l'élément chauffant, ce qui peut provoquer l'inflammation des vêtements. L'utilisation d'un récipient de format correct améliore l'efficacité de la cuisson.
- Ne jamais laisser les éléments de la table de cuisson sans surveillance alors qu'ils chauffent à la puissance maximale – Il pourrait en résulter une ébullition qui cause de la fumée et des renversements de corps gras qui peuvent s'enflammer.
- **ATTENTION** : La cuisson devrait être supervisée. Les petites périodes de cuisson requièrent une attention constante.
- Ustensiles de cuisson vitrifiés – Seulement certains types d'ustensiles de verre, vitrocéramique, céramique, faïence ou autres surfaces vitrifiées conviennent pour le service sur une table de cuisson, sans bris attribuables aux changements soudains de température.
- Les poignées des ustensiles doivent être tournées vers l'intérieur et non vers le dessus des éléments adjacents – Pour réduire les risques de brûlures, d'inflammation de produits combustibles et de renversements dus à l'entrechoquement non intentionnel des ustensiles, la poignée d'un ustensile doit être positionnée de sorte qu'elle est tournée vers l'intérieur et non au-dessus des éléments de surface adjacents.
- Les objets de métal comme les couteaux, fourchettes, cuillères et couvercles ne devraient pas être laissés sur la surface de cuisson du gril, ils pourraient devenir chauds.
- Ne pas faire cuire sur une table de cuisson endommagée – Si la table de cuisson est brisée, les solutions de nettoyage et les renversements peuvent pénétrer dans la table brisée et créer le risque d'un choc électrique. Contacter immédiatement un technicien qualifié. Éteindre l'appareil pour éviter le risque d'une décharge électrique.

CONSERVEZ CES INSTRUCTIONS

IMPORTANTES INSTRUCTIONS DE SÉCURITÉ

- Si le cordon d'alimentation est endommagé, le faire remplacer par le fabricant, l'agent d'entretien de ce dernier ou par une personne qualifiée pour éviter tout danger.
- Nettoyer la table de cuisson avec prudence – Si une éponge ou un chiffon mouillé est utilisé pour essuyer les renversements sur une surface de cuisson chaude, éviter les brûlures causées par la vapeur chaude. Certains nettoyants peuvent produire des émanations désagréables lorsqu'ils sont utilisés sur une surface chaude.
- L'appareil n'est pas conçu pour être mis en marche à l'aide d'une minuterie ou d'un système de commande à distance.

Pour les appareils avec hotte de ventilation –

- Nettoyer les hottes de ventilation fréquemment – La graisse ne doit pas s'accumuler sur la hotte ou le filtre.
- Lorsque vous flambez des aliments sous la hotte, mettre le ventilateur en marche.

Pour les appareils à éléments en spirale –

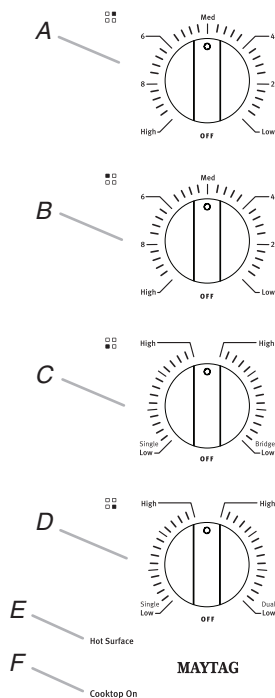
- S'assurer que les cuvettes de propreté sont en place – L'absence de ces cuvettes au cours de la cuisson peut causer des dommages aux fils ou aux composants en dessous des éléments.
- Garnissages protecteurs – Ne pas recouvrir les cuvettes de papier d'aluminium sauf tel que suggéré dans le manuel. L'installation incorrecte de papier d'aluminium ou autre matériau peut causer un risque de choc électrique ou d'incendie.
- Ne pas tremper les éléments de chauffage amovibles – Les éléments de chauffage ne doivent jamais être immergés dans l'eau.

CONSERVEZ CES INSTRUCTIONS

UTILISATION DE LA TABLE DE CUISSON

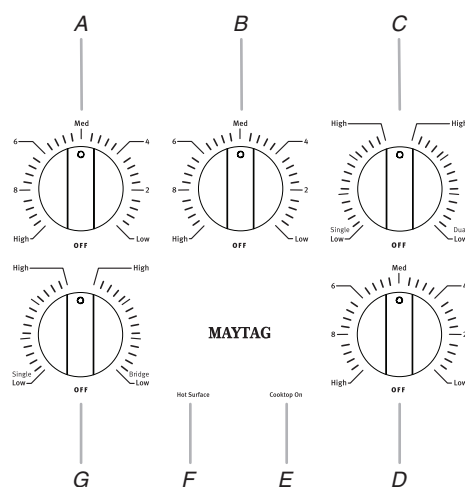
Ce manuel couvre différents modèles. La table de cuisson que vous avez achetée peut comporter tous les éléments énumérés ou seulement certains d'entre eux. L'emplacement et l'apparence des caractéristiques illustrées peuvent ne pas correspondre à ceux de votre modèle.

Tableau de commande du four de 30 po (76,2 cm)



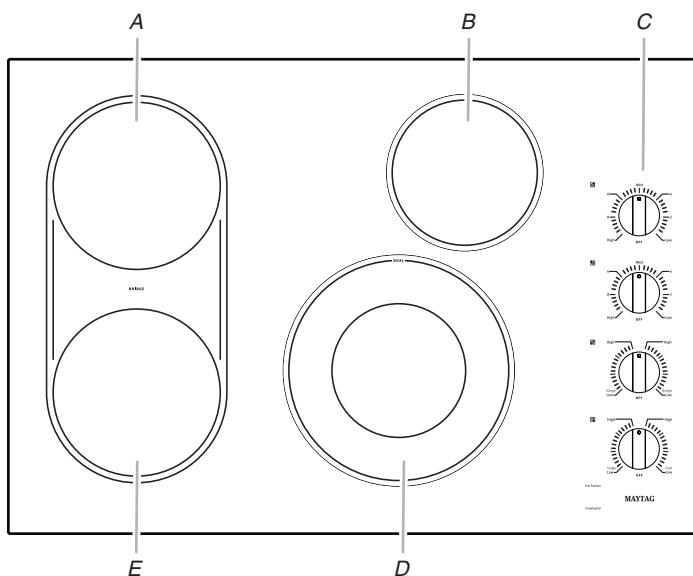
- A. Bouton de commande arrière droit
- B. Bouton de commande arrière gauche
- C. Bouton de commande avant gauche
- D. Bouton de commande avant droit
- E. Témoin lumineux de surface chaude
- F. Témoin de mise en marche de la table de cuisson

Tableau de commande de 36 po (91,4 cm)



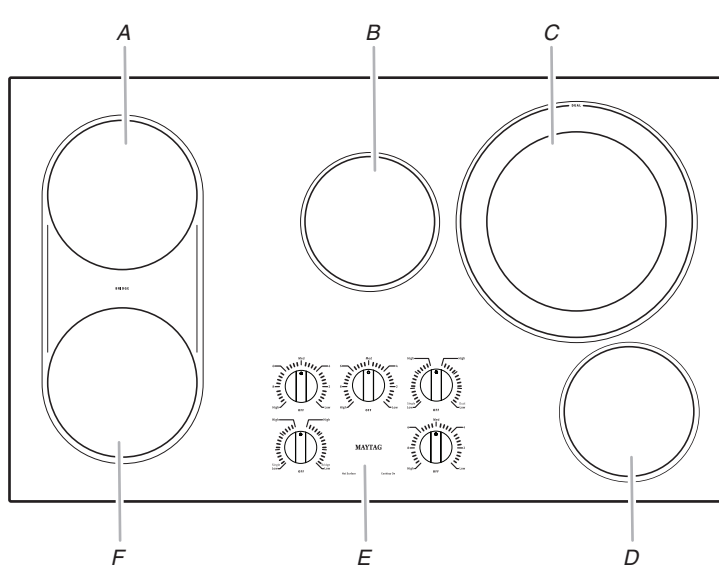
- A. Bouton de commande arrière gauche
- B. Bouton de commande central arrière
- C. Bouton de commande arrière droit
- D. Bouton de commande avant droit
- E. Témoin de mise en marche de la table de cuisson
- F. Témoin lumineux de surface chaude
- G. Bouton de commande avant gauche

Table de cuisson de 30 po (76,2 cm)



- A. Surface de cuisson arrière gauche
- B. Surface de cuisson arrière droite
- C. Tableau de commande
- D. Surface de cuisson de l'élément avant droit double
- E. Surface de cuisson avant gauche (avec liaison)

Table de cuisson de 36 po (91,4 cm)



- A. Surface de cuisson arrière gauche
- B. Surface de cuisson arrière centrale
- C. Surface de cuisson de l'élément arrière droit double
- D. Surface de cuisson avant droite
- E. Tableau de commande
- F. Surface de cuisson avant gauche (avec liaison)

COMMANDES DE LA TABLE DE CUISSON

⚠️ AVERTISSEMENT

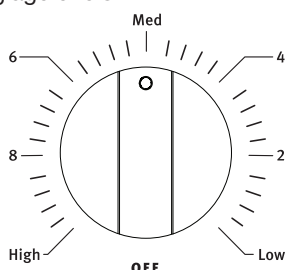


Risque d'incendie

Fermer tous les réglages lorsque la cuisson est terminée.

Le non-respect de cette instruction peut causer un décès ou un incendie.

Les boutons de commande peuvent être réglés à n'importe quelle position entre HIGH (élevée) et LOW (basse). Pousser et tourner le bouton jusqu'au réglage choisi.



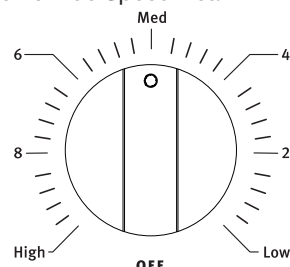
Le repère de zone de cuisson à la surface indique quel élément est en marche ouvert. Utiliser le tableau suivant comme guide lors du réglage des niveaux de chaleur

RÉGLAGE	UTILISATION RECOMMANDÉE
ÉLEVÉE	<ul style="list-style-type: none"> ■ Démarrer la cuisson des aliments. ■ Porter un liquide à ébullition. Pour obtenir les meilleurs résultats, utiliser la zone de cuisson Speed Heat™ (arrière gauche) et un ustensile de cuisson de taille appropriée.
Moyenne-élevée	<ul style="list-style-type: none"> ■ Maintenir une ébullition rapide. ■ Brunir ou saisir rapidement les aliments.
Moyenne	<ul style="list-style-type: none"> ■ Maintenir une ébullition lente. ■ Faire frire ou sauter les aliments. ■ Faire cuire les soupes et les sauces. ■ Mijotage vif ou mijotage sans couvercle.
Moyenne-basse	<ul style="list-style-type: none"> ■ Faire mijoter ou étuver les aliments. ■ Faire mijoter à feu doux.
BAS	<ul style="list-style-type: none"> ■ Garder les aliments au chaud. ■ Faire fondre du chocolat ou du beurre. Pour obtenir les meilleurs résultats, utiliser l'élément avant gauche sur les modèles de 30 po (76,2 cm) MEC7430/MEC9530. Utiliser l'élément arrière central pour les modèles de 36 po (91,4 cm) MEC9536. ■ Mijotage lent avec couvercle.
Éléments doubles	<ul style="list-style-type: none"> ■ Préparation de conserves à la maison. ■ Ustensile de grande taille. Grande quantité d'aliments.

N'oubliez pas : Quand l'appareil est utilisé, toute la surface de la table de cuisson peut devenir chaude.

Élément de Speed Heat™

L'élément de Speed Heat™ (élément arrière gauche) offre plus de flexibilité en proposant deux choix de cuisson/chauffage : Chaleur élevée ou basse Speed Heat™. Chaleur élevée Speed Heat™ pour faire rapidement bouillir de l'eau. On peut utiliser l'option de chaleur plus faible (élément simple) pour la préparation des sauces, pour faire dorer ou sauter des aliments et pour maintenir les aliments à basse température. Utiliser les ustensiles de cuisson de taille appropriée pour l'élément de Speed Heat™.



A. Commande de élément de Speed Heat™ avec chauffage rapide HIGH (élevé) (sur certains modèles)

Témoin lumineux de surface chaude

Cet appareil comporte un témoin lumineux de surface chaude. Le témoin lumineux de surface chaude reste allumé tant qu'une surface de cuisson est trop chaude pour être touchée, même une fois la ou les zones de cuisson éteintes.

Témoin de mise en marche de la table de cuisson

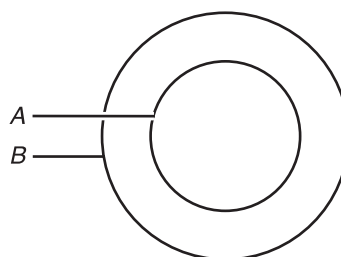
Toutes les tables de cuisson comportent un témoin lumineux d'allumage de la table de cuisson. Lorsqu'un bouton de commande est activé, le témoin s'allume.

Élément de cuisson Dual Zone (double zone) (sur certains modèles)

Les éléments à zone double offrent une souplesse d'utilisation en fonction de la taille de l'ustensile de cuisson. La zone simple peut être utilisée de la même manière qu'un élément ordinaire. La zone double combine l'élément simple et l'élément double; elle est recommandée pour les ustensiles de cuisson de plus grande dimension, pour les grandes quantités de nourriture et la préparation de conserves à la maison.

Pour une performance de cuisson idéale à forte température, utiliser un brûleur de taille adaptée à celle de l'ustensile de cuisson. Pour une performance idéale de mijotage ou de cuisson à petit feu, placer le plat de cuisson sur l'anneau de cuisson le plus large qui lui corresponde et n'utiliser qu'un seul élément circulaire de cuisson pour obtenir la performance souhaitée.

Élément de cuisson Dual Zone (double zone) (sur certains modèles)



A. Dimension simple
B. Dimension double

Utilisation de l'élément SIMPLE :

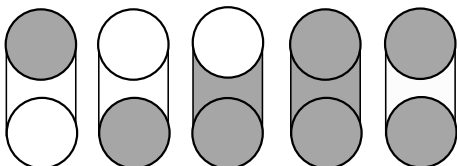
1. Appuyer sur le bouton et le tourner de la position OFF (arrêt) à la zone SINGLE (simple) n'importe où entre LOW (faible) et HIGH (élevée).
2. Tourner le bouton à OFF (arrêt) après avoir terminé.

Utilisation de l'élément DOUBLE :

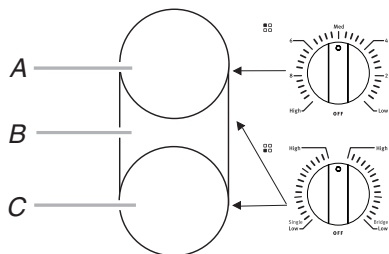
1. Enfoncer et tourner le bouton de la position OFF (arrêt) à la zone DUAL (double) n'importe où entre LOW (basse) et HIGH (élevée).
2. Tourner le bouton à OFF (arrêt) après avoir terminé.

Élément Bridge (de liaison) (sur certains modèles)

L'élément de liaison permet une grande souplesse dans la zone de cuisson de gauche.



Utiliser la zone de liaison pour obtenir le chauffage d'une zone de forme allongée pour une cuisson avec un ustensile de cuisson de grande taille.



- A. Dimension simple
- B. Zone de pont
- C. Dimension simple

Utiliser l'élément de liaison afin d'obtenir le chauffage d'une zone de forme oblongue pour une cuisson au moyen d'un ustensile de cuisson de forme oblongue.

Utilisation de l'élément SIMPLE (C) :

1. Appuyer sur le bouton avant gauche et le tourner de la position OFF (arrêt) à la zone SINGLE (simple) n'importe où entre Low et High.
2. Tourner le bouton à OFF (arrêt) après avoir terminé.

Utilisation de la zone SIMPLE et de la zone de TRANSITION (C + B) :

1. Appuyer sur le bouton avant gauche et le tourner de la position OFF (arrêt) à la zone de TRANSITION n'importe où entre Low et High.
2. Tourner le bouton à OFF (arrêt) après avoir terminé.

Utilisation de l'élément SIMPLE (A) :

1. Appuyer sur le bouton arrière gauche et le tourner de la position OFF (arrêt), n'importe où entre Low et High.
2. Tourner le bouton à OFF (arrêt) après avoir terminé.

Utilisation des deux éléments simples et de l'élément de pont (A+B+C) :

1. Allumer l'élément simple et l'élément de transition (C + B).
2. Allumer l'élément simple (A).
3. Tourner les boutons à OFF (arrêt) après avoir terminé.

Vitrocéramique

La surface de cuisson rougeoie lorsqu'un élément est allumé. Il est possible que certaines zones de la surface de cuisson ne rougeoient pas lorsqu'un élément est allumé. Ce phénomène est normal. Le brûleur s'allume et s'éteint par intermittence pour maintenir le niveau de chaleur sélectionné. Il fonctionne également par intermittence et de façon aléatoire (même en position élevée) afin de protéger la table de cuisson contre des températures extrêmes.

Il est normal que la surface de vitrocéramique claire semble changer de couleur lorsque les zones de cuisson à la surface sont chaudes. Lorsque

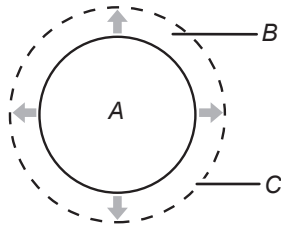
le verre refroidit, il revient à sa couleur originale.

Le fait d'essuyer la table de cuisson avant et après chaque utilisation permettra d'éviter la présence de taches et d'assurer une meilleure répartition de la chaleur. Sur les tables de cuisson en vitrocéramique claire, les salissures et taches sont susceptibles d'être plus visibles et de nécessiter davantage de nettoyage et de soins. L'utilisation d'un nettoyant pour table de cuisson et d'un grattoir est recommandée. Consulter la section "Nettoyage général" pour plus de renseignements.

- Ne pas ranger de bocaux ou de boîtes de conserve au-dessus de la table de cuisson. La chute d'un objet lourd ou dur sur la table de cuisson pourrait la fêler.
- Afin d'éviter d'endommager la table de cuisson, ne pas laisser un couvercle chaud sur la table de cuisson. Lorsque la table de cuisson refroidit, de l'air peut se trouver piégé entre le couvercle et la table de cuisson et la vitrocéramique pourrait se casser lorsqu'on enlève le couvercle.

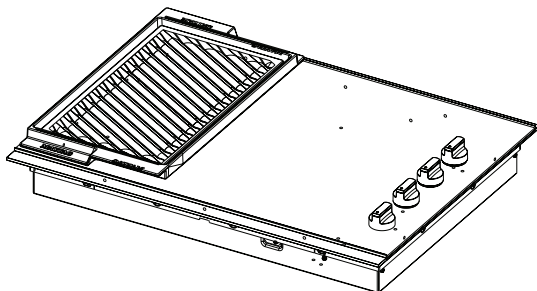
- Nettoyer dès que possible tous les renversements et toutes les salissures des aliments contenant du sucre sous n'importe quelle forme. Laisser la table de cuisson refroidir légèrement. Ensuite, tout en portant des mitaines de four, nettoyer les renversements avec un grattoir pendant que la surface est encore tiède. Si on laisse le sucre refroidir sur la table de cuisson, il se peut que celui-ci adhère à la surface et laisse un creux et des marques permanentes.
- Afin d'éviter toute égratignure, ne pas faire glisser de plats de cuisson sur la table de cuisson. Les fonds en aluminium ou en cuivre et les finis rugueux des ustensiles de cuisson pourraient laisser des égratignures ou des marques sur la table de cuisson.
- Ne pas faire cuire de maïs soufflé dans son emballage en aluminium d'origine sur la table de cuisson. Il pourrait rester des traces d'aluminium qui ne peuvent être complètement enlevées.
- Afin d'éviter d'endommager la table de cuisson, ne pas laisser d'objets qui pourraient fondre, comme du plastique ou du papier d'aluminium, toucher une partie quelconque de la table de cuisson.
- Afin d'éviter d'endommager la table de cuisson, ne pas l'utiliser en guise de planche à découper.

- Utiliser des ustensiles de cuisson de la même taille environ que la surface de cuisson. L'ustensile de cuisson ne doit pas dépasser de plus de 1/2 po (1,3 cm) de la zone de cuisson.



- Utiliser des ustensiles de cuisson à fond plat pour une meilleure conduction de la chaleur et une meilleure utilisation de l'énergie. Les ustensiles de cuisson à fond arrondi, déformé, cannelé ou bosselé pourraient causer un chauffage inégal et de mauvais résultats de cuisson.
- Contrôler la planéité du récipient en plaçant une règle plate en travers du fond du récipient. Lorsqu'on fait tourner la règle, aucun espace ou jour ne doit être visible entre celle-ci et le plat.
- Les ustensiles de cuisson à fond légèrement cannelé ou à petites stries de dilatation peuvent être utilisés.
- S'assurer que les fonds des casseroles et poêles sont propres et secs avant de les utiliser. Les résidus et l'eau peuvent laisser des dépôts quand ils sont chauffés.
- Afin d'éviter d'endommager la table de cuisson, ne pas faire cuire d'aliments directement sur la table de cuisson.

Plaque à frire



Plaque à frire installée sur l'élément de liaison (côté gauche)

Utilisation de la plaque à frire :

1. Localiser la plaque à frire sur l'élément de liaison (côté gauche) comme indiqué.
2. Avant chaque utilisation, passer une fine couche d'huile de cuisson afin d'empêcher les aliments de coller. Les aérosols de cuisson peuvent laisser un résidu collant sur la plaque à frire, qui sera difficile à enlever.
3. Pour des résultats optimaux, préchauffez la plaque à frire pendant 5 minutes. Un préchauffage lent assure une distribution homogène de la chaleur et évite de déformer la plaque à frire.
4. Pour préchauffer et cuire en obtenant de bons résultats et un rendement égal, placer les deux zones de l'élément de liaison à la même température.

Nettoyage de la plaque à frire :

1. Laisser la plaque à frire refroidir et vider ensuite le plateau ramasse-gouttes.
2. Voir la section "Nettoyage général" pour les instructions de nettoyage.
3. Conserver la plaque à frire dans un lieu sec et frais.

Mise en conserve à la maison

Lors de la préparation de conserves pendant de longues périodes, alterner l'utilisation des brûleurs

de surface de cuisson entre chaque quantité préparée.

Ceci permet aux dernières surfaces utilisées de refroidir.

- Centrer l'autoclave sur la grille, sur la plus grande surface de cuisson ou sur le plus grand élément. L'autoclave ne doit pas dépasser de plus de 1/2 po (1,3 cm) hors de la surface de cuisson ou l'élément de cuisson.
- Ne pas placer l'autoclave sur deux surfaces de cuisson, deux éléments ou deux brûleurs de surface à la fois.
- Sur les modèles à vitrocéramique, n'utiliser que des autoclaves à fond plat.
- Sur les modèles à éléments en spirale, l'installation d'un nécessaire de préparation de conserves est recommandée. Si un nécessaire n'est pas installé, la vie utile de l'élément à spirale sera raccourcie. Voir la section "Assistance ou service" pour les instructions sur la façon de commander.
- Pour plus d'informations, contacter votre service agricole local. Les compagnies qui fabriquent des produits pour la préparation de conserves peuvent aussi offrir de l'aide.

Ustensile de cuisson

IMPORTANT : Ne pas laisser d'ustensile de cuisson vide sur une surface de cuisson, un élément ou un brûleur de surface chaud.

Les ustensiles de cuisson idéaux doivent avoir un fond plat, des parois droites, un couvercle qui ferme bien et le matériau doit être d'épaisseur moyenne à forte.

Les finis rugueux peuvent égratigner la table de cuisson.

L'aluminium et le cuivre peuvent être utilisés comme fond ou base d'un ustensile de cuisson. Toutefois, lorsqu'ils sont utilisés comme base, ils peuvent laisser des marques permanentes sur la surface de cuisson ou les grilles.

Le matériau d'un ustensile a une influence sur la rapidité et l'uniformité de la transmission de la chaleur, lesquelles contribuent aux résultats de cuisson. Un fini antiadhésif a les mêmes caractéristiques que son matériau de base.

Par exemple, un ustensile de cuisson en aluminium avec un fini antiadhésif aura les propriétés de l'aluminium.

Ustensile de cuisson	Caractéristiques
Aluminium	<ul style="list-style-type: none"> ■ Chauffe rapidement et uniformément ■ Convient à tous les genres de cuisson. ■ L'épaisseur moyenne ou forte convient le mieux pour la plupart des tâches de cuisson.
Fonte	<ul style="list-style-type: none"> ■ Chauffe lentement et uniformément. ■ Convient pour le brunissage et la friture. ■ Maintient la chaleur pour une cuisson lente.
Céramique ou vitrocéramique	<ul style="list-style-type: none"> ■ Suivre les instructions du fabricant. ■ Chauffe lentement, mais inégalement. ■ Les meilleurs résultats sont obtenus sur les réglages de chaleur basse à moyenne.
Cuivre	<ul style="list-style-type: none"> ■ Chauffe très rapidement et uniformément.
Terre cuite	<ul style="list-style-type: none"> ■ Suivre les instructions du fabricant. ■ Utiliser des réglages de température basse.
Acier émaillé en porcelaine ou fonte émaillée	<ul style="list-style-type: none"> ■ Voir acier inoxydable ou fonte.
Acier inoxydable	<ul style="list-style-type: none"> ■ Chauffe rapidement, mais inégalement. ■ Un fond ou une base d'aluminium ou de cuivre sur l'acier inoxydable procure un chauffage uniforme.

ENTRETIEN DE LA TABLE DE CUISSON

Nettoyage général

IMPORTANT : Avant le nettoyage, s'assurer que toutes les commandes sont éteintes et que le four et la table de cuisson sont froids. Toujours suivre les instructions figurant sur les étiquettes des produits de nettoyage.

L'usage de savon, d'eau et d'un chiffon doux ou d'une éponge est suggéré en priorité, sauf indication contraire.

Ne pas effectuer de nettoyage à la vapeur.

ACIER INOXYDABLE (sur certains modèles)

Afin d'éviter d'endommager les surfaces en acier inoxydable, ne pas utiliser de tampons à récurer savonneux, de nettoyeurs abrasifs, de crème à polir pour table de cuisson, de tampons en laine d'acier, de chiffons de lavage rêches ou d'essuie-tout abrasifs. Méthode de nettoyage :

Frotter dans la direction du grain pour éviter les dommages.

- Nettoyeur et poli pour acier inoxydable affresh® – numéro de pièce W10355016 (non inclus) : Voir la section "Assistance ou service" pour commander.
- Nettoyeur tout-usage : Rincer à l'eau propre et sécher avec un chiffon doux sans charpie.

COMMANDES DE LA TABLE DE CUISSON

Afin d'éviter d'endommager les commandes de la table de cuisson, ne pas utiliser de laine d'acier, de nettoyeurs abrasifs ou de nettoyeur pour four.

Afin d'éviter toute détérioration, ne pas laisser tremper les boutons de commande.

Lors de la réinstallation des boutons, s'assurer que chaque bouton est à la position ARRÊT. Sur certains modèles, ne pas enlever les joints sous les boutons.

Méthode de nettoyage :

- Savon et eau :
Tirer les boutons directement hors du tableau de commande pour les enlever.
- Lave-vaisselle :
Tirer les boutons directement hors du tableau de commande pour les enlever.

PLAQUE À FRIRE

Pour éviter d'endommager la surface antiadhésive, ne pas utiliser un tampon de laine d'acier et des nettoyeurs abrasifs.

Nettoyage

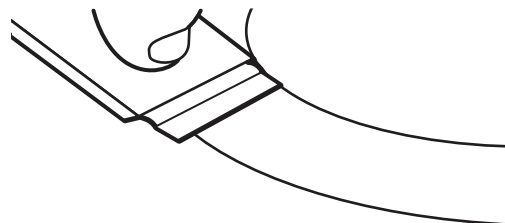
- Détergent doux

VITROCÉRAMIQUE

Méthode de nettoyage :

Afin d'éviter d'endommager la table de cuisson, ne pas utiliser de laine d'acier, de nettoyeurs en poudre abrasifs, d'eau de Javel, de produit antirouille ou d'ammoniaque.

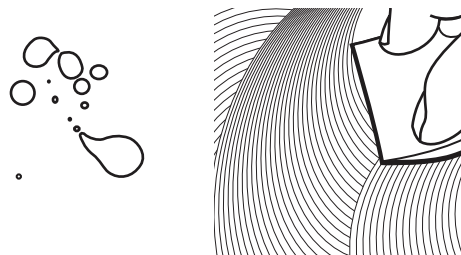
1. Éliminer les salissures alimentaires avec le grattoir pour table de cuisson.



- Pour faciliter le nettoyage, utiliser le grattoir pendant que la table de cuisson est encore tiède, mais non brûlante au toucher. Il est recommandé de porter des mitaines de four pour gratter la table de cuisson tiède.
- Tenir le grattoir pour table de cuisson à un angle d'environ 45° par rapport à la surface de verre et gratter les salissures. Il convient d'appuyer fermement pour éliminer les salissures.

Laisser la table de cuisson refroidir complètement avant de passer à l'étape 2.

2. Appliquer quelques gouttes de nettoyeur pour table de cuisson affresh® sur les zones concernées.



- Frotter le nettoyeur affresh® sur la surface de la table de cuisson avec le tampon bleu à nettoyer les tables de cuisson. Il convient d'appuyer fermement pour éliminer les taches rebelles.
- Laisser le produit nettoyeur sécher en une pellicule blanchâtre avant de passer à l'étape 3.

3. Faire briller avec un chiffon ou un essuie-tout propre et sec.



- Répéter au besoin les étapes 1 à 3 pour les taches les plus tenaces ou incrustées. Le nécessaire complet de nettoyage pour tables de cuisson est offert sur commande. Il contient :

- Grattoir pour table de cuisson
- Nettoyeur pour table de cuisson affresh®
- Tampons bleus pour nettoyer les tables de cuisson

Consulter la section "Accessoires" pour obtenir les numéros de pièces et renseignements pour commander.

DÉPANNAGE

Essayer d'abord les solutions suggérées ici afin d'éviter le coût d'une intervention de dépannage inutile. Pour obtenir de l'aide ou des recommandations supplémentaires pour éviter un appel de service, reportez-vous à la page de garantie de ce guide ou visitez le <http://www.maytag.com>.

Au Canada, visitez le <http://www.maytag.ca>. AU Mexique, visiter le <http://www.maytag.mx/servicio>.

Il est possible d'adresser ses commentaires ou questions par courrier à l'adresse ci-dessous.

Aux États-Unis :

Maytag Brand Home Appliances
Customer eXperience Center
553 Benson Road
Benton Harbor, MI 49022-2692

Au Canada :

Whirlpool Canada LP
Customer eXperience Center
200 – 6750 Century Ave.
Mississauga, Ontario L5N 0B7

Mexique :

Whirlpool México, S. de R.L. de C.V.
Carretera Miguel Alemán Km 16.13
Col. El Milagro Apodaca, Nuevo León
México C.P. 66634

Veuillez indiquer dans votre correspondance un numéro de téléphone où l'on peut vous joindre dans la journée.

Rien ne fonctionne

- **Un fusible du domicile est-il grillé ou le disjoncteur s'est-il déclenché?**
Remplacer le fusible ou réenclencher le disjoncteur. Si le problème persiste, appeler un électricien.
- **La table de cuisson est-elle correctement raccordée?**
Voir les Instructions d'installation.

La table de cuisson ne fonctionne pas

- **Le bouton de commande est-il réglé correctement?**
Enfoncer le bouton avant de le tourner à un réglage.

Chaleur excessive autour des ustensiles de cuisson sur la table de cuisson

- **La dimension du plat de cuisson est-elle appropriée?**
Utiliser un ustensile de cuisson à peu près de la même dimension que la surface de cuisson, l'élément ou le brûleur de surface. L'ustensile de cuisson ne doit pas dépasser de plus de 1/2 po (1,3 cm) hors de la zone de cuisson.

La cuisson ne produit pas les résultats escomptés

- **Utilise-t-on un plat de cuisson approprié?**
Consulter la section "Plats de cuisson".
- **Le bouton de commande est-il réglé au niveau approprié de chaleur?**
Consulter la section "Commandes de la table de cuisson".
- **La table de cuisson est-elle d'aplomb?**
Niveler la table de cuisson. Voir les instructions d'installation.

Les boutons de la table de cuisson dégagent de la vapeur

- **Est-ce la première fois que l'on utilise la table de cuisson?**
Lorsqu'on utilise la table de cuisson pour la première fois, il est possible que de la vapeur s'échappe de l'espace situé autour des boutons de la table de cuisson. Ceci est normal et devrait disparaître au fur et à mesure de l'utilisation de l'appareil.

ASSISTANCE OU SERVICE

Avant de faire un appel pour assistance ou dépannage, vérifiez la section "Dépannage". Cette vérification peut vous faire économiser le coût d'une intervention de dépannage. Pour de l'aide supplémentaire, suivez les instructions ci-dessous.

Avant d'appeler, avoir à portée de la main la date d'achat, ainsi que les numéros de modèle et de série complets de l'appareil. Ces renseignements nous aideront à mieux répondre à votre demande.

Si vous avez besoin de pièces de rechange

Pour commander des pièces de rechange, nous vous recommandons d'utiliser seulement des pièces spécifiées par l'usine. Les pièces spécifiées par l'usine fonctionneront bien, car elles sont fabriquées selon la même précision que celle utilisée pour fabriquer chaque nouvel appareil MAYTAG®.

Pour localiser des pièces spécifiées par l'usine dans votre région, composez le numéro de téléphone d'aide à la clientèle suivant ou appelez le centre de service désigné le plus proche.

Aux É.-U.

Téléphoner sans frais au Centre pour l'eXpérience de la clientèle Maytag au : **1 800 688-9900** ou visitez notre site Web au **www.maytag.com**

Nos conseillers peuvent vous aider sur les points suivants :

- Caractéristiques et spécifications de notre gamme complète d'appareils ménagers.
- Renseignements sur l'installation.
- Procédures d'utilisation et d'entretien.
- Vente d'accessoires et de pièces de rechange.
- Assistance spécialisée au client (langue espagnole, malentendants, malvoyants, etc.).
- Orientation vers des fournisseurs, compagnies de service de réparation et distributeurs de pièces de rechange locaux. Les techniciens de service désignés par la gamme des appareils électroménagers Maytag® sont formés pour remplir la garantie des produits et fournir un service après garantie partout aux États-Unis.

Pour localiser une compagnie de service désignée par la gamme des appareils électroménagers Maytag® dans votre région, vous pouvez également consulter les Pages jaunes.

Pour plus d'assistance

Si vous avez besoin de plus d'assistance, vous pouvez écrire au service des appareils électroménagers Maytag® en soumettant toute question ou tout problème à :

Maytag Brand Home Appliances
Centre pour l'eXpérience de la clientèle
553 Benson Road
Benton Harbor, MI 49022-2692

Veuillez indiquer dans votre correspondance un numéro de téléphone où l'on peut vous joindre dans la journée.

Accessoires

Nettoyant pour table de cuisson

(modèles avec vitrocéramique)

Commander le numéro de pièce 31464

Protecteur de table de cuisson

(modèles avec vitrocéramique)

Commander le numéro de pièce 31463

Grattoir pour table de cuisson

(modèles avec vitrocéramique)

Commander le numéro de pièce WA906B

Nettoyant et poli pour acier inoxydable affresh®

(modèles en acier inoxydable)

Commander le numéro de pièce W10355016

Nettoyant pour table de cuisson affresh®

Commander le numéro de pièce W1035501

Au Canada

Appelez sans frais le Centre pour l'eXpérience de la clientèle canadienne de Whirlpool au **1 800 807-6777** ou visitez notre site Web au **www.maytag.ca**.

Nos conseillers peuvent vous aider sur les points suivants :

- Caractéristiques et spécifications de notre gamme complète d'appareils ménagers.
- Procédures d'utilisation et d'entretien.
- Vente d'accessoires et de pièces de rechange.
- Orientation vers des concessionnaires, compagnies de service de réparation et distributeurs de pièces de rechange locaux. Les techniciens de service désignés par la gamme des appareils électroménagers Maytag® sont formés pour remplir la garantie des produits et fournir un service après garantie partout au Canada.

Pour plus d'assistance

Si vous avez besoin d'aide supplémentaire, vous pouvez écrire à Whirlpool Canada LP en soumettant tout problème ou toute question à :

Whirlpool Canada LP
Centre d'eXpérience pour la clientèle
200 – 6750 Century Ave.
Mississauga, Ontario L5N 0B7

Veuillez indiquer dans votre correspondance un numéro de téléphone où l'on peut vous joindre dans la journée.

Au Mexique

Téléphoner au Centre d'eXpérience de la clientèle de Whirlpool.

Téléphone : **(81) 8329-2100** Dentro de la Republica Mexicana

Téléphone : **01 (81) 8329-2100** ou visiter le **www.maytag.mx/servicio**.

Pour plus d'assistance

Pour obtenir plus d'aide, écrivez à Whirlpool Properties et soumettez toute question ou tout problème à :

Whirlpool México, S. de R.L. de C.V.
Carretera Miguel Alemán Km 16.13,
Col. El Milagro, Apodaca,
Nuevo León, México, C.P. 66634

Veuillez indiquer dans votre correspondance un numéro de téléphone où l'on peut vous joindre dans la journée.



INSTRUCCIONES PARA EL USUARIO DE LA PARRILLA ELÉCTRICA ELÉCTRICA

Si tiene preguntas respecto a características, funcionamiento, rendimiento, piezas, accesorios o servicio técnico, llame al: **1-800-688-9900** o visite nuestro sitio web en **www.maytag.com**.

En Canadá, llame al: **1-800-807-6777** o visite nuestro sitio web en **www.maytag.ca**.

En México, llame al: **(81) 8329-2100** o visite nuestro sitio web en **www.maytag.mx**.

Número de modelo _____ Número de serie _____

Índice

SEGURIDAD DE LA PARRILLA ELÉCTRICA	22
USO DE LA PARRILLA ELÉCTRICA	24
CONTROLES DE LA PARRILLA ELÉCTRICA	25
Elemento de zona doble	25
Elemento puente	26
Vitrocerámica	26
Plancha.....	27
Envasado casero.....	27
Utensilios de cocina.....	27
CUIDADO DE LA PARRILLA ELÉCTRICA.....	28
Limpieza general	28
SOLUCIÓN DE PROBLEMAS.....	29
ASISTENCIA O SERVICIO TÉCNICO	30
En los EE.UU.	30
Accesorios.....	30
En Canadá.....	30
En México.....	30

SEGURIDAD DE LA PARRILLA ELÉCTRICA

Su seguridad y la seguridad de los demás es muy importante.

Hemos incluido muchos mensajes importantes de seguridad en este manual y en su electrodoméstico. Lea y obedezca siempre todos los mensajes de seguridad.



Este es el símbolo de alerta de seguridad.

Este símbolo le llama la atención sobre peligros potenciales que pueden ocasionar la muerte o una lesión a usted y a los demás.

Todos los mensajes de seguridad irán a continuación del símbolo de advertencia de seguridad y de la palabra "PELIGRO" o "ADVERTENCIA". Estas palabras significan:

 **PELIGRO**

Si no sigue las instrucciones de inmediato, usted puede morir o sufrir una lesión grave.

 **ADVERTENCIA**

Si no sigue las instrucciones, usted puede morir o sufrir una lesión grave.

Todos los mensajes de seguridad le dirán el peligro potencial, le dirán cómo reducir las posibilidades de sufrir una lesión y lo que puede suceder si no se siguen las instrucciones.

Advertencias de la Proposición 65 del estado de California:

ADVERTENCIA: Este producto contiene una o más sustancias químicas identificadas por el estado de California como causantes de cáncer.

ADVERTENCIA: Este producto contiene una o más sustancias químicas identificadas por el estado de California como causantes de defectos congénitos o algún otro tipo de daños en la función reproductora.

INSTRUCCIONES IMPORTANTES DE SEGURIDAD

PRECAUCIÓN: Para reducir el riesgo de incendio, choque eléctrico, lesiones a personas o daños al usar la parrilla eléctrica, siga precauciones básicas, incluyendo las siguientes:

- **PRECAUCIÓN:** No almacene artículos que interesen a los niños en los armarios que están encima de una parrilla eléctrica - al trepar los niños encima de la parrilla eléctrica para alcanzar algún objeto, podrían lastimarse seriamente.
- **Instalación Apropriadada** – Cerciórese de que la instalación y puesta a tierra de la parrilla eléctrica sean efectuadas adecuadamente por un técnico competente.
- Nunca use la parrilla eléctrica como calefacción del cuarto.
- No deje a los niños solos - No se debe dejar a los niños sin supervisión en el área donde la parrilla eléctrica esté en uso. Jamás se les debe permitir que se sienten o se paren en parte alguna de la parrilla eléctrica.
- Este aparato no se destina para utilizarse por personas (incluyendo niños) cuyas capacidades físicas, sensoriales o mentales sean diferentes o estén reducidas, o carezcan de experiencia o conocimiento, a menos que dichas personas reciban una supervisión o capacitación para el funcionamiento de aparato por una persona responsable de su seguridad.
- Use ropa apropiada – Nunca debe ponerse ropa holgada o que se esté colgando mientras esté usando la parrilla eléctrica.
- Servicio del usuario - No repare ni reemplace pieza alguna de la parrilla eléctrica a menos que se recomiende específicamente en el manual. Cualquier otro servicio se debe dejar en las manos de un técnico competente.
- Almacenaje encima de la parrilla eléctrica - No se debe guardar materiales inflamables cerca de las unidades exteriores.
- **ADVERTENCIA:** Cocinar sin atender una parrilla de cocción con aceite o grasa puede ser peligroso y ocasionar un incendio.
- No use agua en incendios provocados por grasa – Extinga el incendio o la llama o use un extinguidor de tipo espuma o químico seco.
- Use sólo agarradores de ollas secos - Los agarradores de ollas húmedos o mojados en las superficies calientes pueden ocasionar quemaduras por vapor. No deje que el agarrador de ollas toque los elementos calefactores calientes. No use una toalla ni otros paños voluminosos.
- **NO TOQUE LAS UNIDADES EXTERIORES O ÁREAS CERCA DE LAS UNIDADES** - Las unidades exteriores podrían estar calientes no obstante su color sea oscuro. Las áreas cercanas a las unidades exteriores se pueden calentar lo suficiente para ocasionar quemaduras. Durante y después del uso, no toque ni deje que la ropa u otros materiales inflamables toquen las unidades exteriores o las áreas cercanas a las unidades hasta que haya transcurrido tiempo suficiente para que se enfríen. Entre esas áreas, están la parrilla eléctrica y las superficies que están frente a la parrilla eléctrica.
- Use cacerolas de tamaño apropiado - La parrilla eléctrica está equipada con una o más unidades exteriores de tamaño distinto. Seleccione utensilios que tengan el asiento liso lo suficientemente grande para cubrir el elemento calefactor de la unidad exterior. El uso de utensilios de menor tamaño expondrá una porción del elemento calefactor a contacto directo y puede ocasionar que la ropa se incendie. La relación apropiada entre el utensilio y el quemador también mejorará el rendimiento energético.

- Nunca deje sin supervisión las unidades exteriores a fuego alto. Los derrames por ebullición ocasionan salpicaduras grasosas y humeantes que pueden incendiarse.
- **PRECAUCIÓN:** El proceso de cocción debe estar supervisado. Un periodo de cocción de corta duración debe supervisarse de forma continua.
- Utensilios de cocina vidriados - Sólo algunos tipos de utensilios de vidrio, cerámica vitrificada, cerámica, loza de barro u otros utensilios vidriados son adecuados para uso en la parrilla eléctrica sin que se rompan debido a cambios repentinos de temperatura.
- Los mangos de los utensilios deben colocarse hacia adentro y no deben extenderse hasta las unidades exteriores adyacentes - Para reducir riesgos de quemaduras, incendio de materiales inflamables y salpicaduras debido a contacto accidental con el utensilio, el mango del utensilio debe colocarse hacia adentro y no debe extenderse hasta las unidades exteriores adyacentes.
- Los objetos metálicos, por ejemplo, cuchillos, tenedores, cucharas y tapas no deben colocarse en la superficie de la parrilla de cocción debido a que pueden calentarse.
- No cocine en una parrilla eléctrica quebrada - Si la parrilla eléctrica se quiebra, las soluciones de limpieza y derrames pueden penetrar en la parrilla eléctrica y dar lugar a un riesgo de choque eléctrico. Comuníquese de inmediato con un técnico competente. Apagar el aparato para evitar la posibilidad de choque eléctrico.
- Si el cordón de alimentación es dañado, éste debe sustituirse por el fabricante, por su agente de servicio autorizado o personal calificado con el fin de evitar peligro.
- Limpie la parrilla eléctrica con cuidado - Si usa una esponja o un paño mojado para limpiar los derrames en el área de cocción caliente, tenga cuidado para evitar quemaduras por vapor. Algunos productos de limpieza pueden producir gases nocivos al ser aplicados en una superficie caliente.
- El aparato no se destina para ponerse en funcionamiento por medio de un temporizador externo o por medio de un sistema de control a distancia separado.

Para unidades con campana de ventilación –

- Limpie las campanas de ventilación con frecuencia - No se debe dejar que la grasa se acumule en la campana o en el filtro.
- Al flamear los alimentos debajo de la campana, encienda el ventilador.

Para unidades con elementos de serpentines –

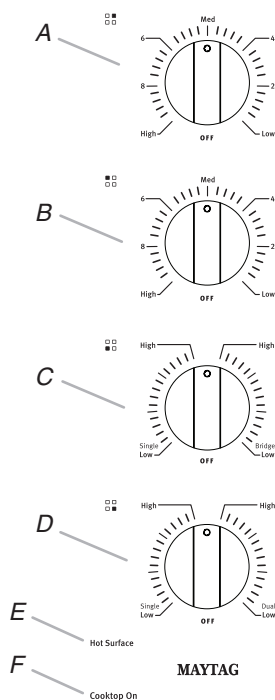
- Cerciórese de que las charolas reflectoras o platillos para goteo estén en su lugar - La ausencia de éstos durante la cocción puede ocasionar daños al alambrado o componentes que están debajo.
- Forros protectores - No use papel de aluminio para forrar los platillos para goteo de las unidades exteriores, excepto como lo sugiera el manual. La instalación incorrecta de estos forros puede dar lugar a riesgos de choque eléctrico o incendio.
- No remoje los elementos calefactores desmontables - Nunca se deben sumergir los elementos calefactores en el agua.

GUARDE ESTAS INSTRUCCIONES

USO DE LA PARRILLA ELÉCTRICA

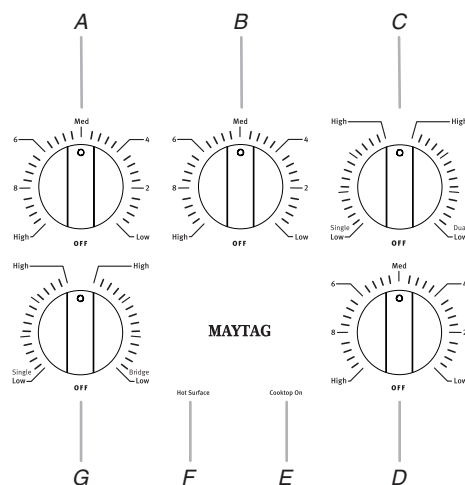
Este manual describe varios modelos diferentes. El modelo que usted adquirió puede tener algunas o todas las características que aparecen a continuación. Es posible que la ubicación y la apariencia de las características que se muestran aquí no coincidan con las de su modelo.

Panel de control de 30" (76,2 cm)



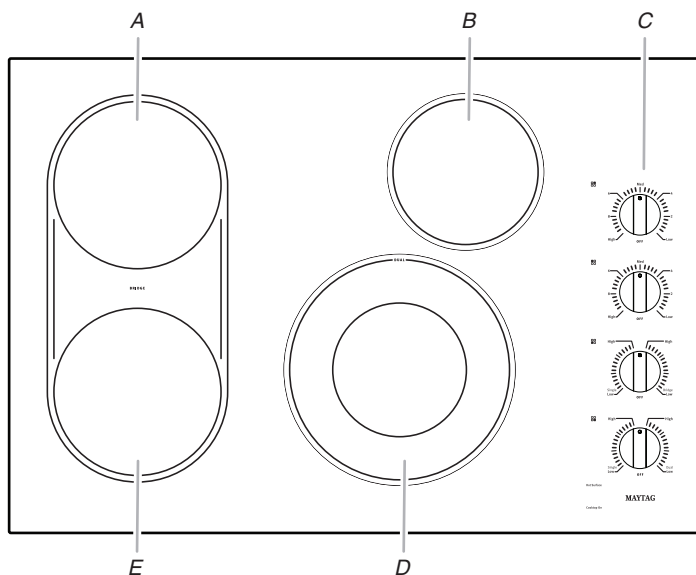
- A. Perilla de control trasera derecha
- B. Perilla de control trasera izquierda
- C. Perilla de control frontal izquierda
- D. Perilla de control frontal derecha
- E. Luz indicadora de superficie caliente
- F. Luz indicadora de encendido de parrilla eléctrica

Panel de control de 36" (91,4 cm)



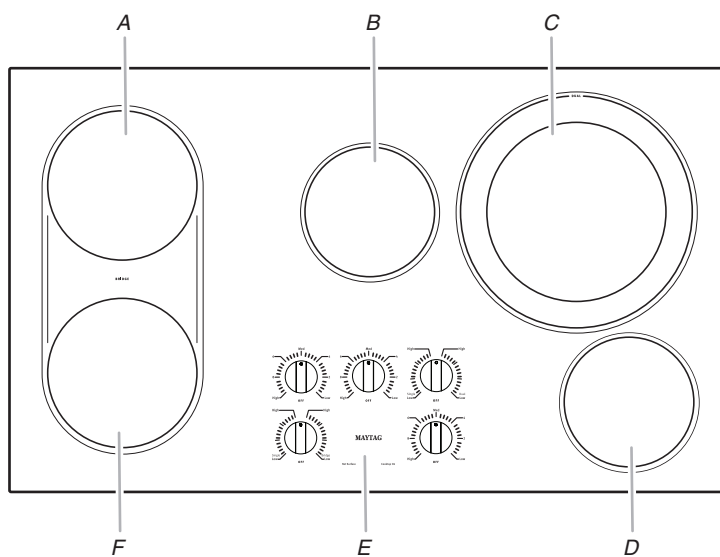
- A. Perilla de control trasera izquierda
- B. Perilla de control trasera central
- C. Perilla de control trasera derecha
- D. Perilla de control frontal derecha
- E. Luz indicadora de encendido de superficie de cocción
- F. Luz indicadora de superficie caliente
- G. Perilla de control frontal izquierda

Parrilla eléctrica de 30" (76,2 cm)



- A. Parrilla eléctrica trasera izquierda
- B. Parrilla eléctrica trasera derecha
- C. Panel de control
- D. Parrilla eléctrica de elemento doble frontal derecho
- E. Parrilla eléctrica frontal izquierda (con puente)

Parrilla eléctrica de 36" (91,4 cm)



- A. Parrilla eléctrica trasera izquierda
- B. Parrilla eléctrica trasera central
- C. Parrilla eléctrica de elemento doble trasero derecho
- D. Parrilla eléctrica frontal derecha
- E. Panel de control
- F. Parrilla eléctrica frontal izquierda (con puente)

CONTROLES DE LA PARRILLA ELÉCTRICA

⚠️ ADVERTENCIA

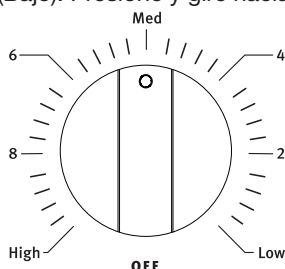


Peligro de Incendio

Apague todos los controles cuando haya terminado de cocinar.

No seguir esta instrucción puede ocasionar la muerte o incendio.

Las perillas de control pueden fijarse en cualquier posición entre HIGH (Alto) y LOW (Bajo). Presione y gire hacia un ajuste.



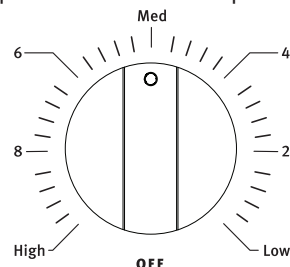
El localizador del área de la parrilla eléctrica muestra cuál elemento está encendido. Use la tabla siguiente como guía cuando ajuste los niveles de calor

AJUSTE	USO RECOMENDADO
ALTA	<ul style="list-style-type: none"> Comenzar a cocinar alimentos. Hacer hervir líquidos. Para obtener resultados óptimos, use la Zona de cocción Speed Heat™ (trasera izquierda) con utensilios de cocina de tamaño adecuado.
Medium High (Medio a alto)	<ul style="list-style-type: none"> Mantener un hervor rápido. Dorar o sellar alimentos rápidamente.
Medium (Media)	<ul style="list-style-type: none"> Mantener un hervor lento. Freír o sofreír alimentos. Para cocer sopas, salsas y salsas de carne. Hervir a fuego lento alto o hervir a fuego lento sin tapa.
Medio a bajo	<ul style="list-style-type: none"> Guisar o cocinar al vapor alimentos. Hervir a fuego lento.
BAJA	<ul style="list-style-type: none"> Mantener calientes los alimentos. Derretir chocolate o mantequilla. Para obtener resultados óptimos, use el elemento frontal izquierdo en modelos MEC7430/MEC9530 de 30" (76,2 cm). Use el elemento trasero central para modelos MEC9536 de 36" (91,4 cm). Hervir a fuego lento bajo o con tapa.
Elementos dobles	<ul style="list-style-type: none"> Enlatado de alimentos caseros. Recipientes de gran diámetro. Grandes cantidades de alimentos.

RECUERDE: Cuando la parrilla eléctrica está en uso, es posible que toda la zona de la parrilla eléctrica esté caliente.

Elemento de Speed Heat™

El elemento de Speed Heat™ (elemento trasero izquierdo) ofrece flexibilidad para 2 opciones de calentamiento: Calor alto y bajo Speed Heat™. Hervir líquidos más rápido con Speed Heat™. La opción de menor intensidad de calor (elemento simple) se puede utilizar para preparar salsas, dorar o sofreír alimentos y para mantener la comida en una temperatura baja. Use utensilios de tamaño apropiado para el elemento de Speed Heat™.



A. Control de elemento de Speed Heat™ con velocidad de calentamiento HIGH (Alta) (en algunos modelos)

Luz indicadora de superficie caliente

Esta unidad tiene una luz indicadora de superficie caliente. La luz indicadora de superficie caliente permanecerá encendida todo el tiempo mientras cualquier zona de la parrilla eléctrica esté demasiado caliente para el tacto, aún después de que se hayan apagado las zonas de cocción de la superficie.

Luz indicadora de encendido de parrilla eléctrica

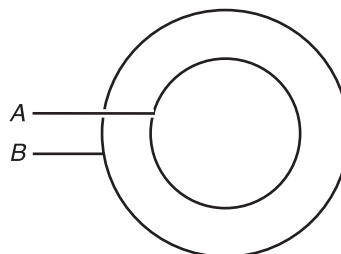
Cada parrilla eléctrica tiene una luz indicadora de parrilla eléctrica encendida. Cuando una perilla de control se activa, la luz se enciende.

Elemento de zona doble (en algunos modelos)

Los elementos de zona doble ofrecen flexibilidad según el tamaño del utensilio de cocina. El tamaño simple puede usarse de la misma manera que un elemento común. Los tamaños dobles combinan los elementos simple y doble y se recomiendan para utensilios de cocina más grandes, grandes cantidades de alimentos y para procesos de enlatado casero.

Para un rendimiento óptimo del calor alto, haga coincidir el tamaño del utensilio de cocina Para un rendimiento óptimo del calor bajo o el hervor lento, haga coincidir el utensilios de cocina con el anillo de la zona de cocción más grande y use el anillo simple para el rendimiento deseado.

Elemento de zona doble (en algunos modelos)



A. Tamaño simple
B. Tamaño doble

Para usar SINGLE (Simple):

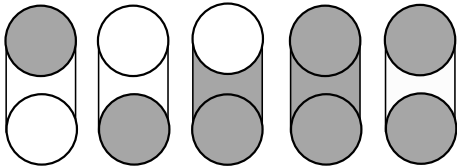
1. Presione y gire la perilla desde la posición OFF (Apagado) a la zona SINGLE (Simple) en cualquier lugar entre LOW (Bajo) y HIGH (Alto).
2. Gire la perilla a OFF (Apagado) cuando haya terminado.

Para usar DUAL:

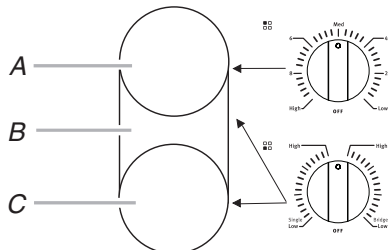
1. Presione y gire la perilla desde la posición OFF (Apagado) a la zona DUAL (Doble) en cualquier lugar entre LOW (Bajo) y HIGH (Alto).
2. Gire la perilla a OFF (Apagado) cuando haya terminado.

Elemento puente (en algunos modelos)

El elemento puente ofrece flexibilidad en la zona de cocción del lado izquierdo.



Use el área del puente para formar un área caliente alargada y así poder cocinar con recipientes de cocción grandes.



- A. Tamaño simple
B. Zona de puente
C. Tamaño simple

Use el área del puente para formar un área caliente alargada y así poder cocinar con recipientes de cocción grandes.

Para usar SINGLE (Simple) (C):

1. Presione y gire la perilla desde la posición OFF (Apagado) a la zona SINGLE (Simple) en cualquier lugar entre Low (Bajo) y High (Alto).
2. Gire la perilla a OFF (Apagado) cuando haya terminado.

Para usar la zona SINGLE (Simple) y BRIDGE (Puente) (C + B):

1. Presione y gire la perilla desde la posición OFF (Apagado) a la zona BRIDGE (Puente) en cualquier lugar entre Low (Bajo) y High (Alto).
2. Gire la perilla a OFF (Apagado) cuando haya terminado.

Para usar SINGLE (Simple) (A):

1. Presione y gire la perilla desde la posición OFF (Apagado) a cualquier lugar entre Low (Bajo) y High (Alto).
2. Gire la perilla a OFF (Apagado) cuando haya terminado.

Para usar los dos elementos simples y puente (A + C + B):

1. Encienda la zona simple y el puente (C + B).
2. Encienda la zona simple (A).
3. Gire las perillas a OFF (Apagado) cuando haya terminado.

Vitrocerámica

El área de la parrilla eléctrica se iluminará de rojo cuando esté encendido un elemento. Es posible que algunas partes del área de la parrilla eléctrica no se pongan rojas cuando está encendido un elemento. Ese es el funcionamiento normal. El quemador se encenderá y se apagará para mantener el nivel de calor seleccionado. También se encenderá y se apagará aleatoriamente, aunque esté en High (Alta), para evitar que la parrilla eléctrica alcance temperaturas extremas.

Es normal que parezca que la superficie de vitrocerámica clara cambie de color cuando estén calientes las áreas de la parrilla eléctrica. El

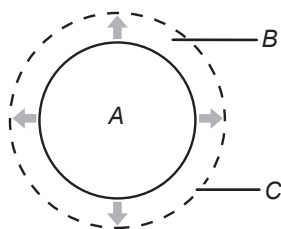
vidrio volverá a su color original a medida que se enfríe.

Para mantener la parrilla eléctrica sin manchas y proporcionar un calor uniforme, límpiela antes y después de cada uso. En las parrillas eléctrica con vitrocerámica clara, la suciedad y las manchas pueden ser más visibles, y puede que requieran más atención y limpieza. Se recomienda usar un limpiador y una espátula para parrillas eléctrica. Para obtener mayor información, vea la sección "Limpieza general".

- Evite colocar tarros o latas sobre la parrilla eléctrica. Si un objeto pesado o duro se cae sobre la parrilla eléctrica podría rajarla.
- Para evitar que se dañe la parrilla eléctrica, no deje una tapa caliente sobre la parrilla eléctrica. A medida que se enfría la parrilla eléctrica, el aire puede quedar atrapado entre la tapa y la parrilla eléctrica, y la vitrocerámica podría romperse cuando quite la tapa.

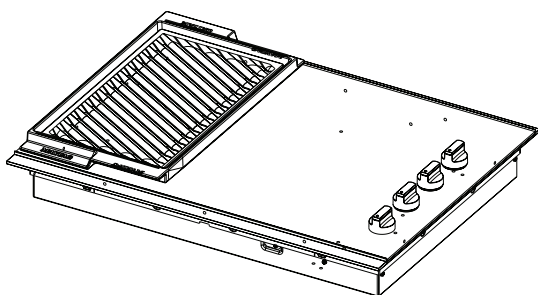
- En caso de alimentos que contengan cualquier clase de azúcar, limpie todos los derrames y las manchas lo antes posible. Permita que la parrilla eléctrica se enfríe ligeramente. Luego, con guantes para horno, limpie las salpicaduras con un raspador mientras la superficie aún está tibia. Si se deja que las salpicaduras azucaradas se enfríen, pueden adherirse a la parrilla eléctrica, lo que causará picaduras y marcas permanentes.
- Para evitar rayaduras, no deslice utensilios de cocina o para hornear sobre la parrilla eléctrica. Los fondos de aluminio o de cobre, así como los acabados ásperos de los utensilios de cocina o para hornear podrían dejar rayas o marcas en la parrilla eléctrica.
- No cocine en la parrilla eléctrica las palomitas de maíz que vienen en recipientes previamente empaquetados de papel de aluminio. Estos podrían dejar marcas de aluminio que no podrán quitarse por completo.
- Para evitar que se dañe la parrilla eléctrica, no deje que los objetos que puedan derretirse, tales como plástico o papel de aluminio, toquen ninguna parte de toda la parrilla eléctrica.
- Para evitar que se dañe la parrilla eléctrica, no la use como una tabla para cortar.

- Utilice utensilios de cocina que tengan más o menos el mismo tamaño que el área de cocción de la superficie. El recipiente de cocción no deberá extenderse más de 1/2" (1,3 cm) fuera del área.



- Use utensilios de cocina de fondo plano para una conducción óptima del calor y un consumo eficiente de la energía. Los utensilios de cocina con fondos redondeados, combados, con relieve o abollados pueden causar un calor desparejo y resultados de cocción poco satisfactorios.
- Para determinar si un fondo está plano, coloque el borde recto de una regla cruzando el fondo del utensilio de cocina. Mientras rota la regla, no debe verse espacio ni luz entre la regla y el utensilio de cocina.
- Pueden usarse utensilios de cocina con fondos ligeramente estriados o con pequeños canales.
- Asegúrese de que los fondos de las ollas y las cacerolas estén limpios y secos antes de usarlos. El agua y los residuos pueden dejar marcas cuando se calientan.
- Para evitar que se dañe la parrilla eléctrica, no cocine alimentos directamente sobre la parrilla eléctrica.

Plancha



Plancha instalada en el Elemento puente (lado izquierdo)

Para usar la plancha:

1. Ubique la plancha en el Elemento puente (lado izquierdo), como se muestra.
2. Antes de cada uso, cepíllela con una capa delgada de aceite de cocina para evitar que se peguen los alimentos. Los rociadores de cocina pueden dejar un residuo pegajoso en la plancha, la cual es difícil de quitar.
3. Para obtener resultados óptimos, precaliente la plancha por 5 minutos. El precalentamiento lento de la plancha asegurará una distribución uniforme del calor y evitará que se deforme.
4. Para precalentar y cocinar, ajuste ambas zonas del Elemento puente en el mismo ajuste de calor para obtener un rendimiento óptimo y uniforme.

Para limpiar la plancha:

1. Deje que la plancha se enfríe y vacíe la bandeja para goteos.
2. Vea las instrucciones de limpieza en la sección "Limpieza general".
3. Guarde la plancha en un área fresca y seca.

Envasado casero

Cuando esté haciendo enlatados durante períodos largos, alterne el uso de las áreas de cocción de la superficie, los elementos o los quemadores de la superficie entre una tanda y otra.

Esto da tiempo para que se enfríen las áreas que se han usado recientemente.

- Centre el enlatador sobre la rejilla o sobre el área o el elemento más grande de la parrilla eléctrica. En las parrillas eléctricas, los enlatadores no deben extenderse más de 1/2" (1,3 cm) por fuera de la zona o el elemento de cocción de la superficie.
- No coloque el enlatador sobre 2 zonas de cocción, elementos o quemadores de la superficie al mismo tiempo.
- En los modelos de vitrocerámica, use únicamente enlatadores de base plana.
- Para los modelos con elementos de serpentines, se recomienda la instalación de una unidad para el enlatado. Si no se ha instalado la unidad, la vida útil del elemento de serpentín se puede acortar. Para averiguar cómo hacer pedidos, consulte la sección "Ayuda o servicio técnico".
- Para obtener más información, póngase en contacto con el departamento de agricultura de su localidad. También pueden ofrecer ayuda las compañías que fabrican productos para envasado casero.

Utensilios de cocina

IMPORTANTE: No deje un utensilio de cocina vacío sobre un área, elemento o quemador caliente de la parrilla eléctrica.

El utensilio de cocina ideal debe tener fondo plano, lados rectos, una tapa que encaje bien y el material debe ser de grosor medio a pesado.

Los acabados ásperos pueden rayar la parrilla eléctrica. El aluminio y el cobre pueden usarse como centro o base en el utensilio de cocina. Sin embargo, cuando se usen como base pueden dejar marcas permanentes en la parrilla eléctrica o en las rejillas.

El material de los utensilios de cocina es un factor que influye en la rapidez y la uniformidad con que se transmite el calor, lo que afecta los resultados de la cocción. Un acabado antiadherente tiene las mismas características que su material de base.

Por ejemplo, un utensilio de cocina de aluminio con un acabado antiadherente tendrá las mismas propiedades que el aluminio.

Utensilios de cocina	Características
Aluminio	<ul style="list-style-type: none"> ■ Se calienta de manera rápida y uniforme ■ Sirve para todos los tipos de cocción. ■ Es mejor que sea de espesor mediano o pesado para cumplir mejor con las funciones de cocción.
Hierro fundido	<ul style="list-style-type: none"> ■ Se calienta de manera lenta y uniforme. ■ Es bueno para dorar y freír. ■ Mantiene el calor para una cocción lenta.
Cerámica o vitrocerámica	<ul style="list-style-type: none"> ■ Siga las instrucciones del fabricante. ■ Calienta de manera lenta pero desigual. ■ Da los mejores resultados en los ajustes de calor bajo a medio.
Cobre	<ul style="list-style-type: none"> ■ Se calienta de manera rápida y uniforme.
Barro cocido	<ul style="list-style-type: none"> ■ Siga las instrucciones del fabricante. ■ Use con ajustes de calor bajos.
Hierro fundido o acero con esmalte de porcelana	<ul style="list-style-type: none"> ■ Vea acero inoxidable o hierro fundido.
Acero inoxidable	<ul style="list-style-type: none"> ■ Se calienta de manera rápida pero desigual. ■ Un centro o una base de aluminio o cobre sobre acero inoxidable proporciona un calor uniforme.

CUIDADO DE LA PARRILLA ELÉCTRICA

Limpieza general

IMPORTANTE: Antes de la limpieza, asegúrese de que todos los controles estén apagados y que el horno y la parrilla eléctrica estén fríos. Siempre siga las instrucciones de las etiquetas de los productos de limpieza.

En primer lugar, se sugiere el empleo de jabón, agua y una esponja o paño suave, salvo que se indique lo contrario.

No use un limpiador a vapor.

ACERO INOXIDABLE (en algunos modelos)

Para evitar daños en las superficies de acero inoxidable, no use estropajos precargados con jabón, limpiadores abrasivos, limpiador para parrillas eléctrica, estropajos de lana de acero, paños para lavar ásperos ni toallas de papel abrasivas. Método de limpieza:

Frote en la dirección de la veta para evitar que se dañe.

- Limpiador y pulidor de acero inoxidable affresh® (pieza número W10355016) (no se incluye): Vea la sección "Ayuda o servicio técnico" para hacer pedidos.
- Limpiador de uso general: Enjuague con agua limpia y seque con un paño suave que no deje pelusa.

CONTROLES DE LA PARRILLA ELÉCTRICA

Para evitar daños en los controles de la parrilla eléctrica, no use lana de acero, productos de limpieza abrasivos ni productos de limpieza para hornos.

Para evitar daños, no remoje las perillas.

Cuando vuelva a colocar las perillas, asegúrese de que estén en la posición Off (Apagado). En algunos modelos, no retire los obturadores que hay debajo de las perillas.

Método de limpieza:

- Agua y jabón:
Tire de las perillas en sentido recto para retirarlas del panel de control.
- Lavavajillas:
Tire de las perillas en sentido recto para retirarlas del panel de control.

PLANCHA

Para evitar dañar la superficie antiadherente, no use estropajos de acero ni limpiadores abrasivos.

Limpieza

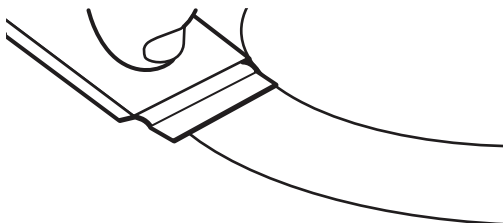
- Detergente suave

VITROCERÁMICA

Método de limpieza:

Para evitar daños en la parrilla eléctrica, no use lana de acero, productos de limpieza en polvo abrasivos, blanqueador con cloro, removedor de óxido o amoníaco.

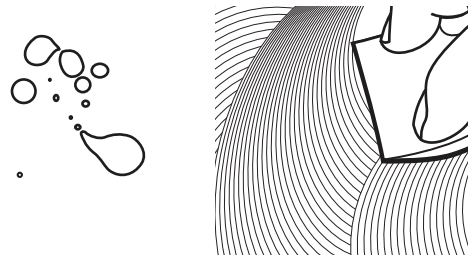
1. Quite los alimentos/residuos con el raspador para parrillas eléctrica.



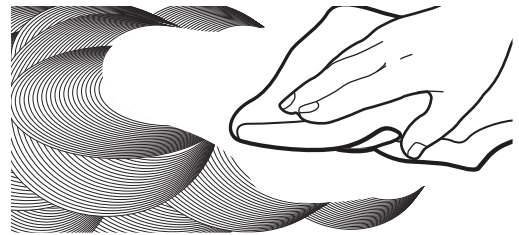
- Para resultados óptimos, use el raspador para parrillas eléctrica mientras la parrilla eléctrica todavía esté tibia, pero no caliente al tacto. Se recomienda usar guantes para horno cuando se raspa la parrilla eléctrica tibia.
- Sostenga el raspador para parrillas eléctrica en un ángulo de aproximadamente 45° contra la superficie de vidrio y raspe los residuos. Será necesario aplicar presión para retirar los residuos.

Espere hasta que la parrilla eléctrica se enfríe por completo antes de seguir con el paso 2.

2. Aplique pocas gotas del tamaño de una moneda pequeña de limpiador para parrillas eléctrica affresh® en las zonas afectadas.



- Frote una almohadilla de limpieza para parrillas eléctrica azul con limpiador para parrillas eléctrica affresh® sobre la parrilla eléctrica. Se requiere algo de presión para eliminar las manchas rebeldes.
 - Espere hasta que el limpiador se seque y deje una opacidad blanca antes de seguir con el paso 3.
3. Pula con una toalla de papel o con un paño limpio y seco.



- Repita los pasos 1 a 3 según sea necesario para manchas difíciles o de quemaduras. El Kit completo de limpieza para parrillas eléctrica está disponible a pedido e incluye lo siguiente:
 - Raspador para parrillas eléctrica
 - Limpiador para parrillas eléctrica Affresh®
 - Almohadillas de limpieza para parrillas eléctrica azules
- Vea la sección "Accesorios" para obtener los números de pieza e información sobre pedidos.

SOLUCIÓN DE PROBLEMAS

Primero pruebe las soluciones sugeridas aquí para evitar el costo innecesario del servicio técnico. Si necesita asistencia adicional o más recomendaciones que pueden ayudarle a evitar una llamada de servicio técnico, consulte la página de la garantía de este manual o visite <http://www.maytag.com>.

En Canadá, visite <http://www.maytag.ca>. En México, visite <http://www.maytag.mx/servicio>.

Contáctenos por correo con sus preguntas o dudas a la dirección que aparece a continuación.

En Estados Unidos:

Maytag Brand Home Appliances
Customer eXperience Center
553 Benson Road
Benton Harbor, MI 49022-2692

En Canadá:

Whirlpool Canada LP
Customer eXperience Center
200 - 6750 Century Ave.
Mississauga, Ontario L5N 0B7

En México:

Whirlpool México, S. de R.L. de C.V.
Carretera Miguel Alemán Km 16.13
Col. El Milagro Apodaca, Nuevo León
México C.P. 66634

Incluya en su correspondencia un número de teléfono en el que se le pueda localizar durante el día.

Nada funciona

- **¿Hay un fusible de la casa fundido o se disparó el cortacircuitos?**
Reemplace el fusible o reinicie el cortacircuitos. Si el problema continúa, llame a un electricista.
- **¿Se ha cableado debidamente la parrilla eléctrica?**
Consulte las Instrucciones de instalación.

La parrilla eléctrica no funciona

- **¿Se ha fijado correctamente la perilla de control?**
Empuje hacia adentro la perilla antes de girar hasta un ajuste.

Hay demasiado calor alrededor de los utensilios de cocina sobre la parrilla eléctrica

- **¿Son los utensilios de cocina del tamaño correcto?**
Use utensilios de cocina que sean más o menos del mismo tamaño que el área, el elemento o el quemador de la parrilla eléctrica. Los utensilios de cocina no deben extenderse más de 1/2" (1,3 cm) fuera del área de cocción.

Los resultados de cocción de la parrilla eléctrica no son los esperados

- **¿Se está usando el utensilio de cocina adecuado?**
Vea la sección "Utensilios de cocina".
- **¿Se ha fijado la perilla de control en el nivel de calor adecuado?**
Consulte la sección "Controles de la parrilla eléctrica".
- **¿Está nivelada la parrilla eléctrica?**
Nivele la parrilla eléctrica. Vea las Instrucciones de instalación.

Sale vapor de las perillas de la parrilla eléctrica

- **¿Está usando la parrilla eléctrica por primera vez?**
Durante el primer uso, es posible observar que sale vapor de los orificios alrededor de las perillas de la parrilla eléctrica. Este fenómeno es normal y debe cesar después del uso.

ASISTENCIA O SERVICIO TÉCNICO

Antes de solicitar ayuda o servicio técnico, por favor consulte la sección "Solución de problemas". Esto le podría ahorrar el costo de una visita de servicio técnico. Si considera que aún necesita ayuda, siga las instrucciones que aparecen a continuación.

Cuando llame, tenga a mano la fecha de compra y el número completo del modelo y de serie del aparato. Esta información nos ayudará a atender mejor a su pedido.

Si necesita piezas de repuesto

Si necesita pedir piezas de repuesto, recomendamos que use únicamente piezas especificadas de fábrica. Las piezas especificadas de fábrica encajarán bien y funcionarán bien ya que están confeccionadas con la misma precisión empleada en la fabricación de cada electrodoméstico nuevo de MAYTAG®.

Para encontrar piezas especificadas de fábrica en su localidad, llame al siguiente número de teléfono de ayuda al cliente o al centro de servicio designado más cercano a su localidad.

En los EE.UU.

Llame sin costo al Centro para la eXperiencia del cliente de Maytag al: **1-800-688-9900** o visite nuestro sitio web en **www.maytag.com**

Nuestros consultores ofrecen ayuda para:

- Características y especificaciones de nuestra línea completa de electrodomésticos.
- Información sobre la instalación.
- Procedimientos de uso y mantenimiento.
- Venta de accesorios y repuestos.
- Asistencia al cliente especializada (idioma español, deficiencias de audición, visión limitada, etc.).
- Recomendaciones de distribuidores locales, distribuidores de repuestos y empresas de servicio. Los técnicos de servicio designados para los electrodomésticos Maytag® están capacitados para cumplir con la garantía del producto y ofrecer servicio una vez que la garantía termine, en cualquier lugar de los Estados Unidos.

Para localizar a una compañía de servicio designada para los electrodomésticos Maytag® en su área, también puede consultar la sección amarilla de su guía telefónica.

Para obtener asistencia adicional

Si necesita asistencia adicional, puede escribir a electrodomésticos Maytag® con sus preguntas o dudas a:

Maytag Brand Home Appliances
Customer eXperience Center
553 Benson Road
Benton Harbor, MI 49022-2692

Incluya en su correspondencia un número de teléfono en el que se le pueda localizar durante el día.

Accesorios

Limpiador de parrilla eléctrica

(modelos con vitrocerámica)
Pida la pieza número 31464

Protector para parrillas eléctrica

(modelos con vitrocerámica)
Pida la pieza número 31463

Raspador para parrillas eléctrica

(modelos con vitrocerámica)
Pida la pieza número WA906B

Limpiador y pulidor de acero inoxidable affresh®

(modelos de acero inoxidable)
Pida la pieza número W10355016

Limpiador para parrillas eléctrica Affresh®

Pida la pieza número W10355051

En Canadá

Llame al Centro para la eXperiencia del cliente de Whirlpool Canada LP sin costo al **1-800-807-6777** o visite nuestro sitio web en **www.maytag.ca**.

Nuestros consultores ofrecen ayuda para:

- Características y especificaciones de nuestra línea completa de electrodomésticos.
- Procedimientos de uso y mantenimiento.
- Venta de accesorios y repuestos.
- Recomendaciones de distribuidores locales, distribuidores de repuestos y empresas de servicio. Los técnicos de servicio designados de Maytag® están entrenados para cumplir con la garantía de producto y ofrecer servicio una vez que la garantía termine, en cualquier lugar de Canadá.

Para obtener asistencia adicional

Si necesita más ayuda, puede escribir a Whirlpool Canada LP por cualquier duda o consulta a:

Whirlpool Canada LP
Customer eXperience Centre
200 - 6750 Century Ave
Mississauga, Ontario L5N 0B7

Incluya en su correspondencia un número de teléfono en el que se le pueda localizar durante el día.

En México

Llame al Centro Whirlpool Service:

Teléfono: **(81) 8329-2100** Dentro de la República Mexicana

Teléfono: **01 (81) 8329-2100** o visite **www.maytag.mx/servicio**.

Para obtener asistencia adicional

Si necesita asistencia adicional, puede escribir a Whirlpool Properties con sus preguntas o dudas a:

Whirlpool México, S. de R.L. de C.V.
Carretera Miguel Alemán Km 16.13,
Col. El Milagro, Apodaca,
Nuevo León, México, C.P. 66634

Incluya en su correspondencia un número de teléfono en el que se le pueda localizar durante el día.

— SERVICIO CERTIFICADO DE FÁBRICA —

WHIRLPOOL SERVICE

KitchenAid®

MAYTAG®

Whirlpool®

acros®

TODO LO QUE NECESITAS CUANDO MÁS LO NECESITAS

Recuerde leer las indicaciones de su manual de uso y cuidado. Si usted requiere asesoría o servicio contáctenos.

Le recomendamos tener a la mano:

- Su factura, garantía sellada o comprobante de compra, serán necesarios para hacer válida la garantía de su producto.
- Modelo y Número de Serie, mismos que encontrará en el etiquetado del producto.

Centro de contacto:



Monterrey, N.L y su área metropolitana al 83.29.21.00
y desde el resto de la República al 01 (81) 83.29.21.00



www.whirlpool.mx/servicio

- Solicita tu servicio
- Chat de Asesoría en línea

Conexiones | Mantenimientos | Extensiones de Garantía | Accesorios | Reparaciones dentro y fuera de garantía



Para recomendaciones de uso visita el canal:

WHIRLPOOL SERVICE MÉXICO

