

## Fresh Living Tip

Keep your favorite fresh and frozen goods close at hand in a space convenient to you, such as a rec room or a home theater.

## FINISH OPTIONS



# 24" Marvel Professional Refrigerator Freezer with Optional Crescent Ice Maker

MPRI424/MPRF424

### Storage Adaptability

- 4.9 cu. ft. capacity refrigerator stores (72) 12-oz cans
- Self-closing 1 cu. ft. freezer can store 12 pints of ice cream
- Models with crescent ice maker produce up to 7 lbs of ice in 24 hours and ice bucket stores 13 lbs of ice
- Also includes (2) half-width cantilevered, fully adjustable FreshFlo steel shelves and (1) full-width FreshFlo shelf with full-extension smooth ball-bearing glides

### Cooling Performance

- Dynamic cooling technology delivers rapid cool down, frost-free operation and precise temperature stability
- Proprietary shelving design allows for cool air to circulate throughout the cabinet for temperature consistency from top to bottom
- Thermal-efficient cabinet insulates cooling environment and conserves energy while maximizing capacity
- Sound-buffering design

### Convenient Controls

- Multifunction controls ensure precise refrigeration temperature management from 34°F to 42°F and freezer temperature between 0° F and 5° F to keep contents evenly frozen throughout
- Features easy-to-use settings with helpful alerts

### Fit & Finish

- At the touch of a button, change the interior light color to sapphire blue or arctic white
- Theater style display lighting gently brightens when door is open and dims to off when closed
- Professional styling: robust full-length handle and stainless steel accents
- Reversible soft-close door allows for right or left swing for adaptable installation
- Door lock provides added security



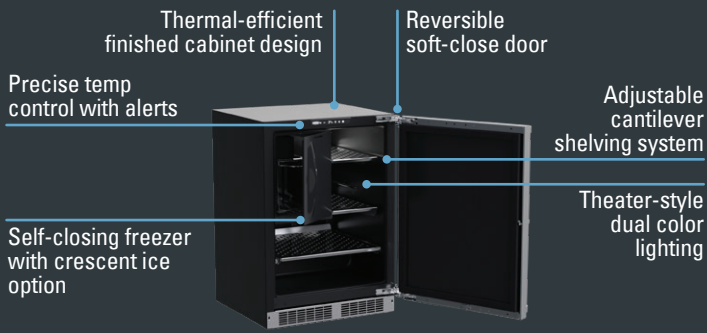
*A refrigerator, freezer and ice maker all in one, this model packs the best features of your primary refrigerator into one compact undercounter footprint. Its refrigeration space fits 72 12-oz cans and the freezer stores 12 pints of ice cream - and it converts to an ice maker capable of producing 7 lbs of crescent ice a day! And, a glide-out shelf keeps items within easy reach.*

### Warranty

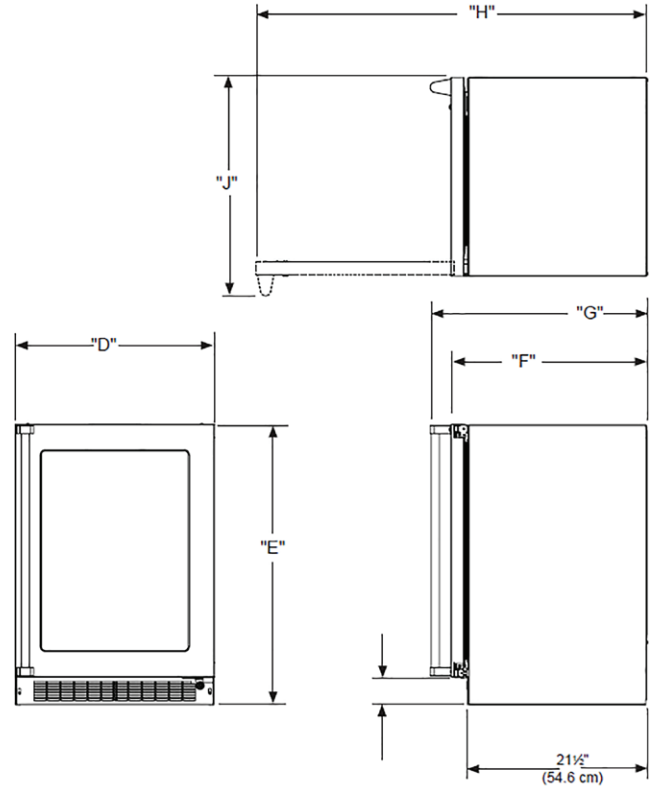
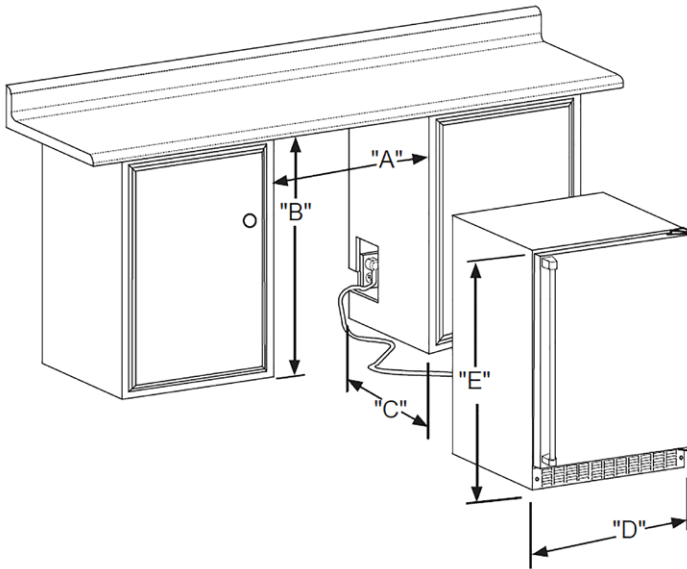
- 3-year parts and labor warranty with product registration and 5-year sealed system parts warranty

DOOR STYLE	CRESCENT ICE	MODEL NUMBER
Solid Stainless Steel	Yes	MPRI424-SS31A
Solid Panel Ready	Yes	MPRI424-IS31A
Solid Stainless Steel	No	MPRF424-SS31A
Solid Panel Ready	No	MPRF424-IS31A





H: 33 3/4" W: 23 7/8" D: 26 7/32" (with handle)



**Rough In Dimensions\***

"A"	"B"	"C"
24"	34-1/4" to 35-1/4"	24"
(61 CM)	(87 CM to 89.5 CM)	(61 CM)

**Cabinet Dimensions\***

"D"	"E"	"F"	"G"	"H"	"J"
23-7/8"	33-5/8" TO 34-5/8"	23-5/8"*	26-1/8"*	47-3/4"*	26-1/2"*
(60.7 CM)	(85.4 CM TO 87.9 CM)	(60 CM)	(66.3 CM)	(146.6 CM)	(67.3 CM)

\*Stainless steel model dimensions only. For panel-ready models, see the owner's guide online at [marvelrefrigeration.com](http://marvelrefrigeration.com).

<b>Capacity</b>	5.9 CU. FT. Total
<b>Control Type</b>	Electronic
<b>Sabbath Mode</b>	Yes
<b>Temperature Range</b>	Refrigerator: 33°F to 70°F, Freezer: 0° F to 5° F
<b>Handle Style</b>	Professional (handle not included on panel-ready models)
<b>Hinge Type</b>	Reversible Soft-Close
<b>Interior Lighting</b>	White + Blue LED
<b>Shelving System</b>	Cantilevered
<b>Toe Grille Finish</b>	Stainless Steel (Black on Panel-Ready Models)

<b>Lock</b>	Yes
<b>Electrical Requirements</b>	115V / 60 Hz / 15A
<b>Cord Length</b>	6 FT.
<b>Shipping Dimensions</b>	28" W x 31" D x 37" H
<b>Shipping Weight</b>	160 LBS
<b>Agency Approval</b>	UL
<b>Refrigerant Type</b>	R600a

For comprehensive installation instructions, including panel overlay details, please visit [marvelrefrigeration.com](http://marvelrefrigeration.com) to access the owner's guide.

