

MODELS NOW WITH BRIGHTSHIELD™

ANTIMICROBIAL PROTECTION

BrightShield lighting is a proprietary biotechnology innovation that provides continuous antimicrobial action to create a cleaner environment for your food and beverages. BrightShield kills* viruses, bacteria, fungi, yeasts, mold, and mildew and is even proven effective against the most difficult class of viruses to kill. Additionally, this UV-free LED light technology is approved for continuous use around people, pets and plants.

FINISH OPTIONS



24" Marvel Professional Refrigerator

MPRE424

Storage Adaptability

- 5.5 cu. ft. capacity stores 20 wine bottles total (7 flat) and up to (162) 12-oz cans
- 3-in-1 Slide-Out Convertible Shelf features removable split glass panes with wine rack option to store beverages, food or wine
- Tall item storage: half-width interior shelf allows for high-clearance vertical storage
- Access contents easily with full-extension shelf, glideout shelving on the smooth-glide ball bearing system
- Cantilevered shelving system adjusts height to your storage needs

Cooling Performance

- Dynamic cooling technology delivers rapid cool down, frost-free operation and precise temperature stability
- Thermal-efficient cabinet ensures optimum food preservation and energy efficiency while maximizing capacity
- Argon-filled, UV-resistant tinted dual pane glass door protects contents from damaging ultraviolet light and helps conserve energy

Convenient Controls

- Multifunction controls allow you to select a precise cabinet temperature from 33°F to 70° F
- Audible alarms for door ajar and high/low temperature ensure your contents stay at optimal temperature

Fit & Finish

- Elegant midnight black interior
- Professional styling: robust full-length handle and stainless steel accents
- Reversible soft-close door allows for right or left swing for adaptable installation
- Door lock provides added security

Warranty

- 3-year parts and labor warranty with product registration and 5-year sealed system parts warranty



Models with BrightShield™ UV-free LED lighting with Vyy™ antimicrobial technology kill viruses, bacteria, fungi, yeasts, mold, and mildew to provide an extra layer of antimicrobial protection.*

DOOR STYLE

MODEL NUMBER

Stainless Steel Frame Glass	MPRE424-SG31A
Panel Ready Frame Glass	MPRE424-IG31A
Solid Panel Ready	MPRE424-IS31A
Solid Stainless Steel	MPRE424-SS31A

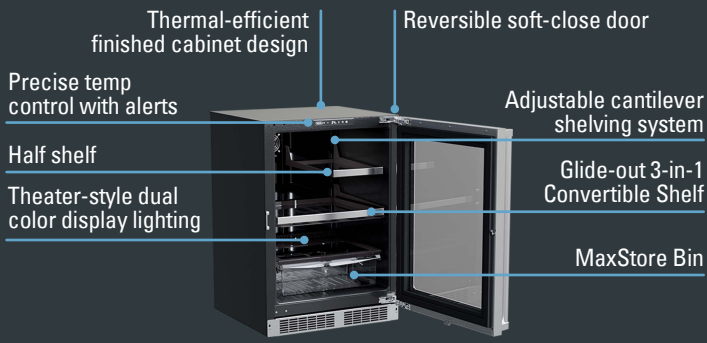
MODELS WITH BRIGHTSHIELD™ ANTIMICROBIAL LIGHT

Stainless Steel Frame Glass	MPRE424-SG81A
Solid Panel Ready	MPRE424-IS81A
Solid Stainless Steel	MPRE424-SS81A
Black Frame Glass	MPRE424-BG81A

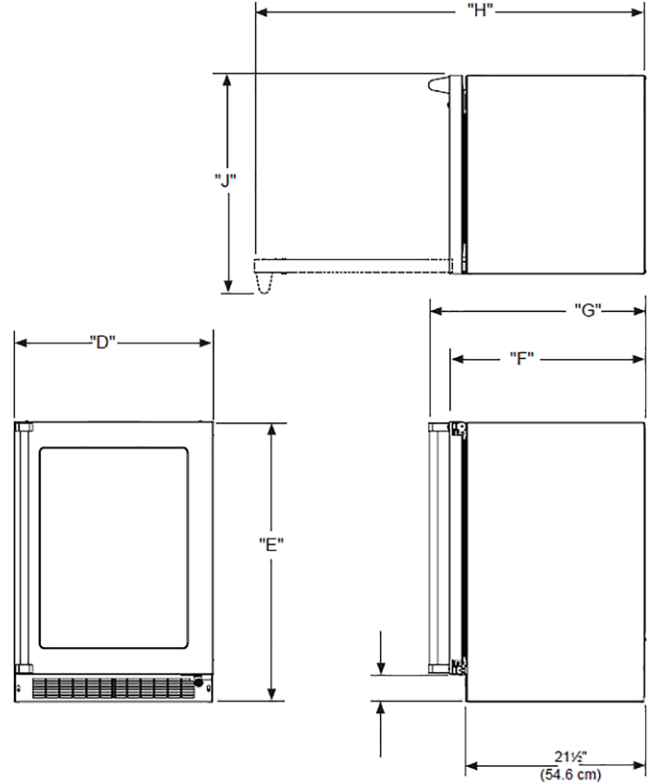
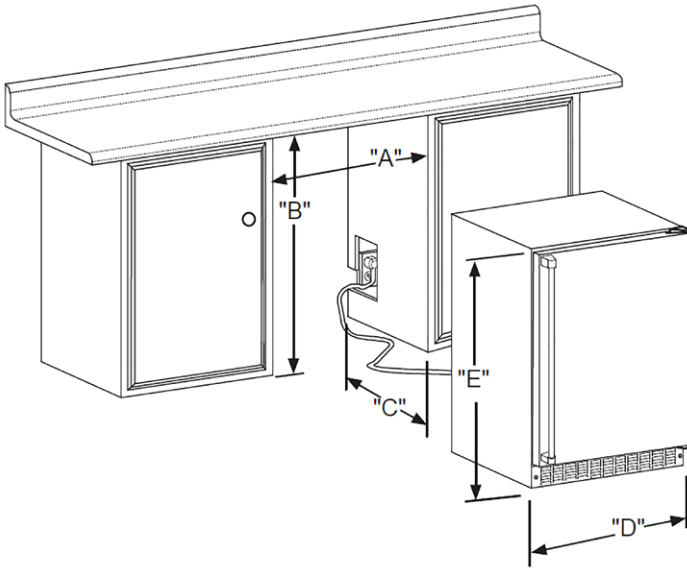
* Testing on a non-enveloped virus (MS2 bacteriophage) showed a 97.12% reduction in controlled laboratory testing in 8 hours on hard surfaces. Testing on SARS-CoV-2 (enveloped virus) showed a 98.45% reduction in controlled laboratory testing in 4 hours on hard surfaces. Testing on MRSA and E. coli showed 90%+ reduction in controlled laboratory testing in 24 hours on hard surfaces. Results may vary depending on the amount of light that is reaching the surfaces in the space where the product is installed and the length of time of exposure. Use of Vyy antimicrobial light is not intended to replace manual cleaning and disinfection practices.

BrightShield™





H: 33 3/4" W: 23 7/8" D: 26 7/32" (with handle)



Rough In Dimensions*

"A"	"B"	"C"
24"	34-1/4" to 35-1/4"	24"
(61 CM)	(87 CM to 89.5 CM)	(61 CM)

Cabinet Dimensions*

"D"	"E"	"F"	"G"	"H"	"J"
23-7/8"	33-5/8" TO 34-5/8"	23-5/8"*	26-1/8"*	47-3/4"*	26-1/2"*
(60.7 CM)	(85.4 CM TO 87.9 CM)	(60 CM)	(66.3 CM)	(146.6 CM)	(67.3 CM)

*Stainless steel model dimensions only. For panel-ready models, see the owner's guide online at marvelrefrigeration.com.

Capacity	5.5 CU. FT.
Control Type	Electronic
Sabbath Mode	Yes
Temperature Range	33°F to 70°F
Handle Style	Professional (handle not included on panel-ready models)
Hinge Type	Reversible Soft-Close
Interior Lighting	White + Blue LED (non-BrightShield models)
Shelving System	Cantilever
Toe Grille Finish	Stainless Steel (Black on Panel-Ready Models)

Lock	Yes
Electrical Requirements	115V / 60 Hz / 15A
Cord Length	6 FT.
Shipping Dimensions	28" W x 31" D x 37" H
Shipping Weight	160 LBS
Agency Approval	UL
Refrigerant Type	R600a

For comprehensive installation instructions, including panel overlay details, please visit marvelrefrigeration.com to access the owner's guide.

