

**AGA** MARVEL

---

Operation  
and  
Maintenance  
Instructions

**Built-In  
Side-by-Side  
Refrigerator**

**MP42SS2  
MP48SS2**



# Congratulations

We hope you will enjoy and appreciate the care and attention we have put into every detail of your new, state-of-the-art Marvel Professional Built-in Refrigerator.

Your appliance is designed to offer years of reliable service. This Use and Care Guide will provide you with the information you need to become familiar with your refrigerator's care and operation.

Your complete satisfaction is our ultimate goal. If you have any questions or comments about this product, please contact the dealer from whom you purchased it, or contact our Consumer Support Center at 1-888-845-4641.

We appreciate your choice of our refrigerator and hope that you will again select our products for your other major appliance needs.

For more information about the complete and growing selection of products, visit us online at [www.agamarvel.com](http://www.agamarvel.com)

**Your safety is important to us.** This use and care manual contains safety symbols and statements. Please pay special attention to these symbols and follow any instructions given.



This symbol alerts you to hazards such as fire, electrical shock or other injuries.

# Warnings

## **WARNING**

To reduce the risk of fire, electric shock, or injury when using your unit, follow these basic precautions:

- Read all instructions before using the unit.
- **NEVER** allow children to operate, play with, or crawl inside the unit.
- **NEVER** clean unit parts with flammable fluids. The fumes can create a fire hazard or explosion.
- **ALWAYS** turn the power on/off switch (located behind the air grille on top right side) to the OFF position before attempting to change light bulbs, clean, or service the unit.

### **FOR YOUR SAFETY**

**DO NOT STORE OR USE GASOLINE OR OTHER FLAMMABLE VAPORS AND LIQUIDS IN THE VICINITY OF THIS OR ANY OTHER APPLIANCE. THE FUMES CAN CREATE A FIRE HAZARD OR EXPLOSION.**

## **WARNING**



### **ELECTRICAL SHOCK HAZARD**

- Plug into a grounded 3-prong outlet.
- If a 2-prong wall receptacle is encountered, contact a qualified electrician.
- **DO NOT** remove ground prong.
- Unit must be grounded at all times.
- **DO NOT** use an adapter.
- **DO NOT** use an extension cord.
- Failure to follow these instructions can result in death, fire, or electrical shock.-

## **WARNING**

To avoid serious illness or death, do not use unit where water is unsafe or of unknown quality without adequate disinfection before or after use of filter.

## **WARNING**

To avoid electrical shock which can cause severe personal injury or death, turn power disconnect switch to OFF before cleaning. After cleaning, return power disconnect switch to ON position.

## **WARNING**



### **ELECTRICAL SHOCK HAZARD**

Disconnect power or turn power disconnect switch to OFF position before removing top grille. Failure to do so can result in death or electrical shock.

## **WARNING**



### **BURN HAZARD**

**DO NOT** touch condenser coils near defrost pan. Doing so can result in burns.

## **WARNING**

### **RISK OF CHILD ENTRAPMENT**

**Before You Throw Away Your Old Refrigerator or Freezer:**

- Take off the doors.
- Leave the shelves in place so that children may not easily climb inside.

**IMPORTANT:** Child entrapment and suffocation are not problems of the past. Junked or abandoned refrigerators are still dangerous... even if they will sit for "just a few days."

# Table of Contents

## Getting Started

Important Information _____	4
Proper Disposal (of old refrigerator) _____	5
Features _____	6

## Product Controls

Settings and Functions _____	8
------------------------------	---

## Operation

Refrigerator _____	10
Automatic Ice Maker _____	12
Food Storage Guide _____	12

## Product Care

Cleaning and Maintenance _____	14
Troubleshooting _____	17
Service Information _____	18
Warranty _____	19

# Important Safety Instructions

- Install and level your refrigerator on a floor that will hold its weight, plus food weight (approximately 1200 pounds [540kg]) and in an area suitable for its size and use.
- **DO NOT** install a refrigeration unit near a heat source, nor in a location where the surrounding temperature will fall below 60°F (16° C).
- **DO NOT** allow your refrigerator to be exposed to the weather or outdoor elements.
- Connect your refrigerator only to the appropriate kind of electrical outlet, with the correct power supply and grounding. (Refer to the *Electrical Requirements* section of the *Installation Instructions*.)
- Use the refrigerator only for the uses described in this manual.
- Properly maintain the refrigerator.
- Be sure the refrigerator is not used by anyone unable to operate it properly.

# Proper Disposal (of old refrigerator)

## **IMPORTANT:**

Now that you have a new refrigerator, it is extremely important that you dispose of your old appliance in a way that minimizes the possibility that children will find it. There have been many cases in years past of children crawling inside junked and abandoned refrigerators and becoming trapped or suffocated.

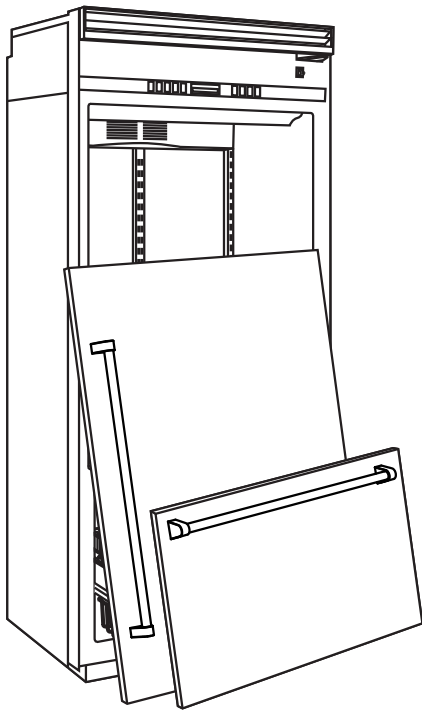
Contact your municipal waste disposal authority to find out the best and safest way to dispose of your old refrigerator.

## **⚠ WARNING**

### **RISK OF CHILD ENTRAPMENT**

**Before You Throw Away Your Old Refrigerator or Freezer:**

- Take off the doors.
- Leave the shelves in place so that children may not easily climb inside.



# General Features

- **ProChill™ Temperature Management System**

The variable speed DC Overdrive™ Compressor is one of the quietest, most technologically advanced compressors available. Electronic controls with digital temperature readouts, maintain temperatures and the multi-channel airflow system and Odor Eliminator™ Evaporator remove odors and excess humidity.

- **Plasmacluster™\* Ion Air Purifier**

The Plasmacluster™ Ion Air Purifier uses ions to eliminate airborne bacteria and mold spores, remove odors and enhance food preservation. Because of the unique technology, the Plasmacluster™ will continue to keep the refrigerator bacteria and mold free without ever having to be replaced.

- **Adjustable Humidity Zone™ Drawer(s)**

Equipped with an adjustable humidity control, the Adjustable Humidity Zone™ Drawer(s) can be set on the high setting for leafy greens or the low setting for fruits and vegetables with skins.

- **LED Lighting**

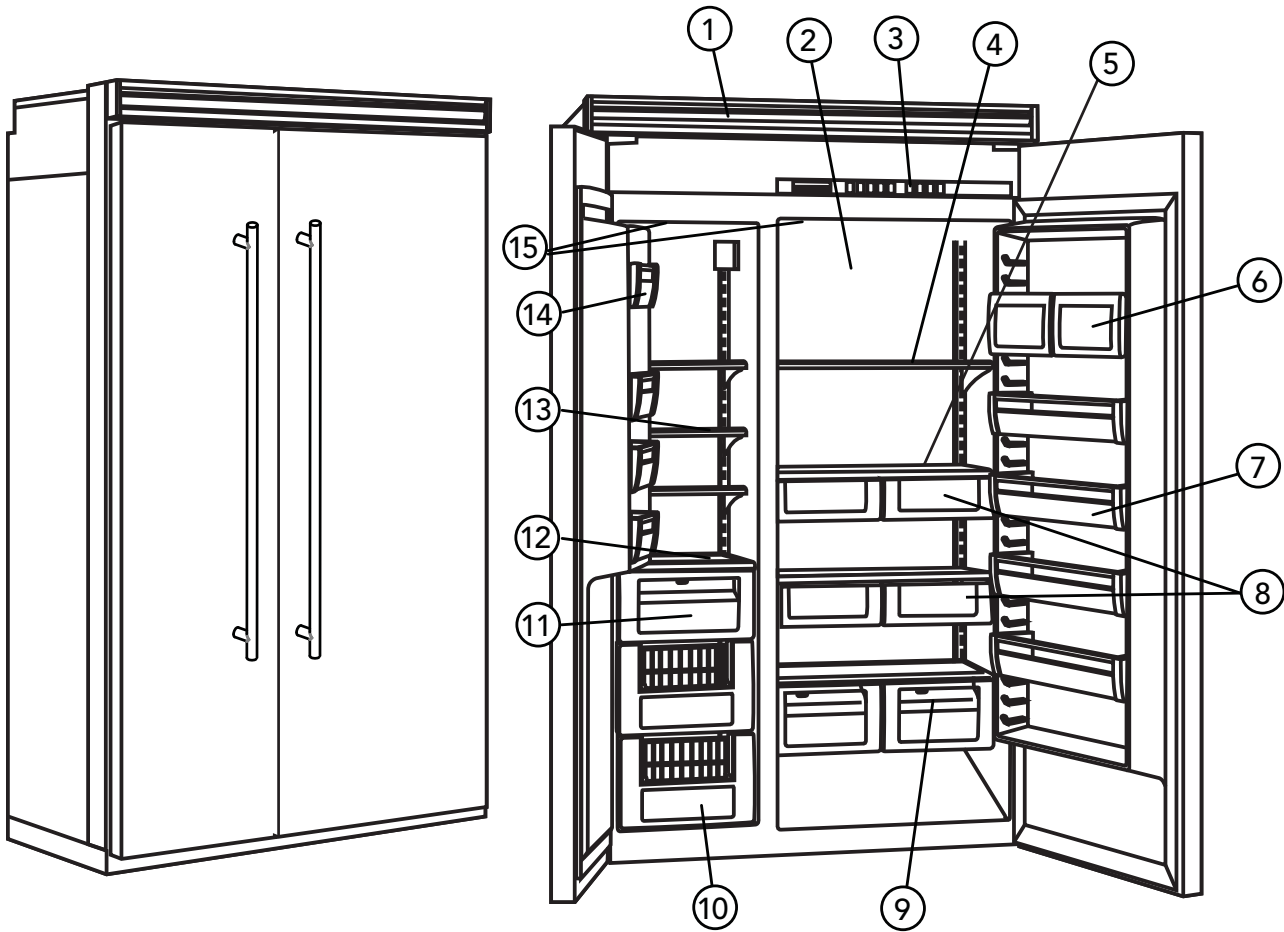
Top and sidewall interior LED lighting provides bright illumination of refrigerator contents.

- **Super Clog-Resistant™ Condenser**

The pin and tube design of the condenser coil prevents dust and other airborne particles from clogging the condenser. Under normal operation, the condenser is maintenance-free.

*\*Plasmacluster is a trademark of Sharp Corporation.*

# Features



1. Variable Speed DC Overdrive™ Compressor and Super Clog-Resistant™ Condenser
2. Plasmacluster™ Ion Air Purifier
3. Electronic Controls with digital temperature readouts
4. Spillproof Plus Shelves w/Nano Technology (2)
5. Spillproof Shelves (2)
6. Dairy Compartments (2)
7. Adjustable Door Bins (4) (Patented)
8. Deli Drawers
9. Adjustable Humidity Zone™ Drawer(s)
10. Glide-Out Freezer Baskets (2)
11. Ice Bucket (1)
12. Non-Adjusting Freezer Shelf (1)
13. Adjustable Freezer Shelves (3)
14. Adjustable Freezer DoorBins (3)
15. LED Lighting

# Settings and Functions

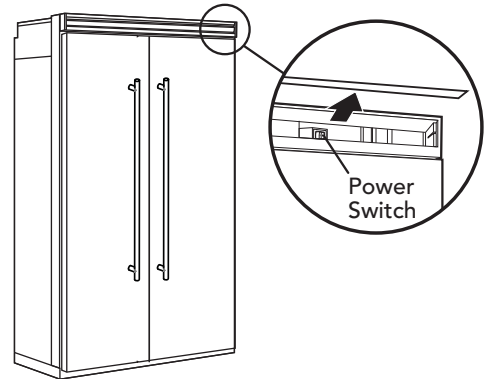
In order for your new Marvel Professional refrigerator to work properly, it is important that you understand its various features, controls, and how to use them.

## Power On/Off Switch (Power Interruption Switch)

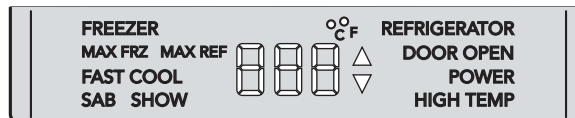
The power on/off switch is located behind your refrigerator's top grille. It is used to turn the power off when cleaning the refrigerator. Your refrigerator arrives from the factory with the power interruption switch on.

To turn power off, remove the center grille blade by lifting outward. Press the power on/off switch to the off position.

To turn power on, press power on/off switch to the on position. Replace the center grille blade.



**IMPORTANT:** Be sure the power on/off switch is in the on position after cleaning or changing light bulbs.



Product Controls



## Showroom Mode Initiation

Showroom mode allows electronic controls and interior lights to function independently of refrigerator system.



To enter the showroom mode: Press and hold "ACTIVATE CONTROLS" pad; while holding, press and hold the "HIGHER" and "ALARM OFF" pads together for 3 seconds. Three beeps will sound and SHOW will be lit. Showroom mode is entered.



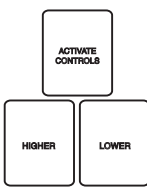
To exit the showroom mode: press and hold "ACTIVATE CONTROLS" pad; while holding, press and hold the "HIGHER" and "ALARM OFF" pads together. Three beeps will sound and control will revert to normal operation and display.

## Electronic Temperature Settings



Your refrigerator's electronic controls are located behind the door above the cabinet interior. To activate the electronic control panel, press "ACTIVATE CONTROLS" pad. All other pads, except the "ALARM OFF" pad, will remain inactive until the "ACTIVATE CONTROLS" pad is pressed. Once activated, pad remains programmable for at least ten minutes.

When you first plug your new refrigerator in, you will find that the refrigerator is factory set at 38° F in the refrigerator and 0° F in the freezer. Wait 24 hours after plug-in for the cabinets to reach this setting. After 24 hours, you may adjust controls as desired.



To change from °F to °C, press and hold "ACTIVATE CONTROLS" then press and hold "ALARM OFF" for 3 seconds. To change back, follow the same steps.

To adjust the refrigerator or freezer temperature, simply press the "ACTIVATE CONTROLS" pad, then "Ref Temp" pad or "Frz Temp" pad. Press the "HIGHER" or "LOWER" pad to adjust temperature setting one degree at a time.

**Note:** Allow 24 hours for temperature to reach desired setting after any change in set temperature.

## Entry Tone



The entry tone is the "beep" you will hear when you press the control pad. You can deactivate the entry tone by pressing and holding the "ACTIVATE CONTROLS" pad for three to five seconds. You will hear three short beeps to let you know that the entry tone feature has been deactivated.

To activate the entry tone, simply press and hold the "ACTIVATE CONTROLS" pad for three to five seconds.

## Fast Cool



Fast Cool runs the compressor at high speed for 2 hours to cool the refrigerator as quickly as possible. After 2 hours, the refrigerator will return to the previous setting.



To activate fast cool, press "ACTIVATE CONTROLS" followed by the "FAST COOL" pad. The fast cool light will be lit.



# Settings and Functions

## Max Refrigerator Mode

Max refrigerator mode adjusts the refrigerator temperature to the coldest setting for four hours, at the end of which the refrigerator's temperature automatically returns to its previous setting.

To activate the max refrigerator mode, simply press the "ACTIVATE CONTROLS" pad, followed by the "MAX REF" pad. The "MAX REF" light will glow to let you know you've turned on the max refrigerator mode.

To deactivate the max refrigerator mode before the end of the four hour cycle, press the "ACTIVATE CONTROLS" pad, followed by the "MAX REF" pad.



## Max Freezer Mode

Max freezer mode adjusts the freezer temperature to the coldest setting for 6 hours, at the end of which, the freezer temperature automatically returns to its previous setting.

To activate the max freezer mode, press the "ACTIVATE CONTROLS" pad, followed by the "MAX FRZ" pad. The "MAX FRZ" light will glow to let you know you have turned on the max freezer mode.

To deactivate the max freezer mode before the end of the 6 hours cycle, simply press the "ACTIVATE CONTROLS" pad, followed by the "MAX FRZ" pad.



## Door Open Alarm

Door open alarm sounds and the "DOOR OPEN" light blinks if either door is left open for more than three minutes.

To deactivate the door open alarm, press the "ALARM OFF" pad or close the door that is open.



## High Temperature Alarm

High temperature alarm sounds and the "HIGH TEMP" light glows if the refrigerator or the freezer temperature is too high for two hours. A blinking light signals which part of the appliance is affected. The alarm sound will end when the temperature is brought back to a proper setting.

To deactivate the high temperature alarm, press the "ALARM OFF" pad.

## Power Loss Alarm

No alarm sounds, however, the "POWER" indicator flashes indicating a power loss. Press "ALARM OFF" to clear.

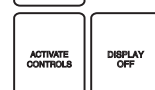
## Temperature Sensor Alarm

Temperature sensor alarm is a special feature that electronically senses temperature sensor problems. The temperature sensor alarm will sound and the display will show either oPn or Shr. The alarm can be deactivated by pressing the "Alarm Off" pad on your refrigerator's control panel. If the display does not return to showing the temperature, contact an authorized technician immediately.

## Display

To activate temperature display, press the "ACTIVATE CONTROLS" pad.

To deactivate temperature display, press the "ACTIVATE CONTROLS" pad, followed by the "DISPLAY OFF" pad.

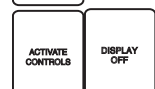


## Sabbath Mode

Sabbath mode is used to disable interior lights and alarms for observance of the Sabbath.

Before the Sabbath mode is engaged, the ice maker bale arm (see p. 12) needs to be raised until it clicks into the detent. This turns off the power to the ice maker.

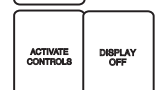
To enter Sabbath mode, press the "ACTIVATE CONTROLS" pad to activate the control panel. Then, press and hold "Activate Controls" and "Display Off" pads simultaneously for three seconds. It will beep three times and light the SAB indicator so you will know that you have activated Sabbath mode.



When your refrigerator is in Sabbath mode, interior lights, display (excluding SAB indicator, temperature, and compartment indicator), and alarms are disabled.

If your refrigerator loses power while in Sabbath mode, it will return to the Sabbath mode when power is reestablished.

To exit the Sabbath mode, press the "ACTIVATE CONTROLS" pad. Then, press and hold "ACTIVATE CONTROLS" and "DISPLAY OFF" pads simultaneously for three seconds. You will then hear three beeps letting you know that you have turned the Sabbath mode off.

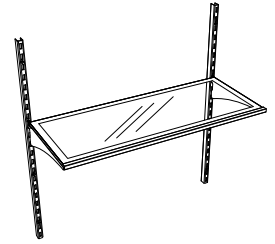


Once your refrigerator has left the Sabbath mode, the bale arm of the ice maker needs to be pushed downward until it is no longer in the detent. This will restore power to the ice maker.

# Refrigerator

## Spillproof Plus Shelves with Nano Technology

These spillproof shelves contain liquids with no raised edges in order to provide extra shelf capacity.



## Standard Spillproof Shelves

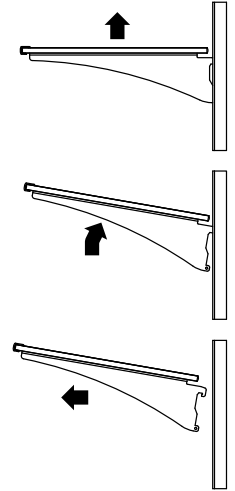
Standard spillproof shelves are constructed of polypropylene molded around the glass and metal rail. This design means that the shelves are completely enclosed and liquids can't seep under the glass. This localizes spills and makes clean-up easier.

**Note:** Foods and beverages placed on the uppermost shelf under the air vent may freeze.

## Shelf Adjustment

You can adjust the shelves to match the way you use your refrigerator. To remove the shelves, push up on the shelf, tilt upward at the front releasing the hooks from the shelf support, then pull the shelf straight out.

To replace shelves, guide the rear hooks of the shelf into the slots in the shelf supports. Then, tilt the shelf up at the front until the hooks drop into the slots, and lower the front of shelf to level position.



### ⚠ CAUTION

To avoid personal injury and property damage, confirm shelf is secure before placing items on shelf.

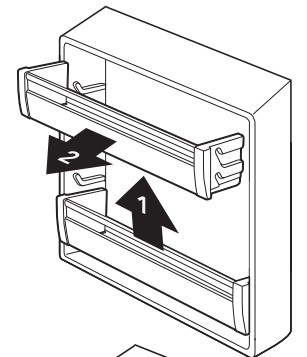
### ⚠ CAUTION

To avoid personal injury or property damage, handle tempered glass shelves carefully. Shelves may break suddenly if nicked, scratched, or exposed to sudden temperature change.

## Door Bin Adjustment

Your refrigerator's door bins hold two-liter bottles and can be placed in any position on the refrigerator door. To remove a bin, simply grasp it, lift the bin up, and pull it out.

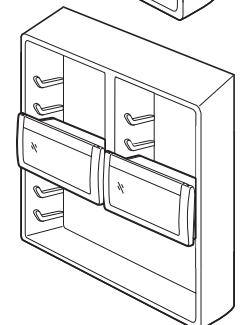
To replace the bin, place it over the glides in the refrigerator door, and push the door bin down to lock it into place.



## Dairy Compartments

Your refrigerator's dairy compartment doors are surrounded by gaskets for a tighter seal. This allows items to stay fresh much longer. The dairy compartments can be adjusted to meet your unique storage needs.

To remove the dairy compartments, simply grasp, lift up and pull out. To replace, position the dairy compartment over the glides in the refrigerator door, and push the compartment down to lock it into place.

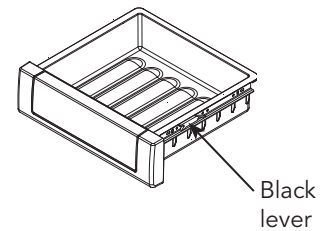


# Refrigerator

## Deli Drawers

To remove drawer, roll the drawer out to the stop. Then, on each side of the drawer, locate the black lever on the glides and lift up until the drawer disengages from the glides.

Pull the drawer out the rest of the way. To replace the drawer, extend the glides out to the stop. Next, place the drawer onto the glides and push it back until the drawer engages the hook. Lower the front part of the drawer, grasp the glides/drawer and lightly squeeze until the drawer snaps onto the glides. Then slide the drawer back until it stops.

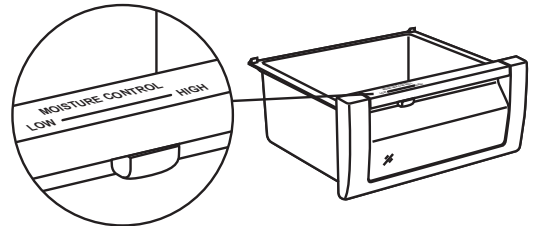


## Adjustable Humidity Zone™ Drawer(s)

The moisture control on your refrigerator produce drawer(s) gives you the ability to change the amount of moisture or humidity in a drawer, and the clear top section allows you to see into a drawer without opening it.

The moisture control is located underneath the front trim. Slide the control to a higher setting for storing deli items or produce with leaves, such as lettuce, spinach, or cabbage. Slide the control to a lower setting for storing fruits and vegetables with skins, such as apples, corn, or tomatoes. See "Food Storage Guide" (pg. 13) for more information on storing foods properly.

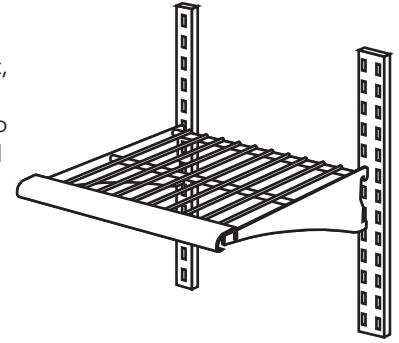
To remove drawer, roll the drawer out to the stop. Then, on each side of the drawer, locate the black lever on the glides and lift up until the drawer disengages from the glides. Pull the drawer out the rest of the way. To replace the drawer, extend the glides out to the stop. Next, place the drawer onto the glides and push it back until the drawer engages the hook. Lower the front part of the drawer, grasp the glides/drawer and lightly squeeze until the drawer snaps onto the glides. Then slide the drawer back until it stops.



# Freezer

## Wire Shelf Adjustment

You can easily adjust your freezer's shelves. To remove a shelf, simply tilt it up at the front, releasing the hooks from the shelf support. Then, pull the shelf straight out. To replace, guide the rear hooks of the shelf into the slots in the shelf supports. Then, tilt the shelf up at the front until the hooks drop into the slots. Next, lower the front of the shelf to a level position.



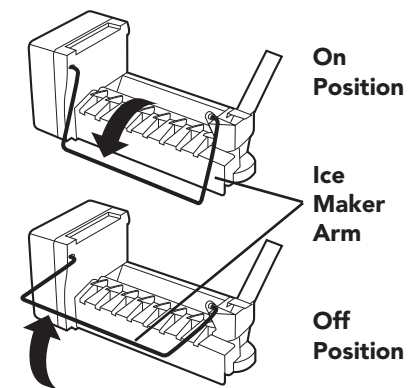
## Automatic Ice Maker

The ice maker and slide-out ice drawer on your refrigerator are not adjustable, but the ice drawer slides forward for easy access to ice.

After the refrigerator reaches normal temperature, the ice maker fills with water and begins operating. Under normal conditions, the ice maker will produce seven to nine batches of ice per 24 hour period.

**Note:** Allow 24 to 48 hours after installation before looking for ice in your ice drawer. You should discard the first three full drawers of ice produced by your refrigerator, and should also throw out the first drawer full of ice your refrigerator produces after extended periods of non-use.

During ice production, the ice maker arm raises and lowers. When the ice bin is full, the ice maker arm automatically turns the ice maker off. To manually stop ice production, raise the ice maker arm. You will hear a definite click when you have the arm in the right position. The ice maker won't produce any more ice until you lower the ice maker arm.



### ⚠ CAUTION

- To avoid damage to ice maker, observe the following:
- **DO NOT** force ice maker arm down or up past stop position.
  - **DO NOT** place or store anything in ice bucket.

# Food Storage Guide

## Storing Fresh Food

Wrap or store food in the refrigerator in airtight and moisture-proof material to preserve freshness longer and to prevent taste transfer. For dated products, check use-by date to ensure freshness.

To store leafy vegetables, remove store wrapping. Then tear off bruised and discolored areas. Wash the vegetables in cold water and drain, and then place them in a plastic bag or plastic container and store in your produce drawer.

For vegetables with skins, such as carrots and peppers, store in plastic bags or containers.

When refrigerating or freezing fruit, wash the fruit and then let it dry. Store the fruit in plastic bags. Don't wash or hull berries until they are ready to use. Instead, sort and keep berries in their original container in the produce drawer, or store in a loosely closed paper bag on the refrigerator shelf.

Store eggs without washing them. Keep eggs in their original carton or in your refrigerator's egg bin.

Wipe milk cartons. For best storage, place milk on an interior shelf.

Keep opened butter in covered dish or closed compartment. When storing butter in the freezer, wrap it in freezer packaging.

When you have leftovers, cover them with plastic wrap, aluminum foil, or store the leftovers in plastic containers with tight lids.

Store meat in its original wrapping, as long as it's airtight and moisture-proof. Rewrap meat if necessary.

**Note:** When storing meat longer than the recommended times, freeze the meat.

### Recommended storage times:

Chicken	1-2 days	Bacon	5-7 days
Ground Beef	1-2 days	Cold Cuts	3-5 days
Steaks/Roasts	3-5 days	Variety Meats	1-2 days
Cured Meats	7-10 days		

**Note:** Use fresh fish and shellfish the same day as purchased.

## Packaging Food for Freezing

The secret of successful freezing is in the packaging; the way you close and seal a package of food must not allow air or moisture in or out, or the quality of the food will deteriorate while frozen.

### Packaging you should not use for freezing includes:

- Bread wrappers
- Non-polyethylene plastic containers
- Containers without lids
- Wax paper or wax-coated freezer wrap
- Thin, semi-permeable wrap

### Recommended packaging:

- Rigid plastic containers with tight-fitting lids
- Straight-sided canning/freezing jars
- Heavy-duty aluminum foil
- Plastic-coated paper
- Non-permeable plastic wraps (made from saran film)
- Zip-top freezer bags

Follow package or container instructions for proper freezing methods.

## Freezing Foods

**DO NOT** expect your freezer to quick-freeze large quantities of food; **DO NOT** load more than two to three pounds of unfrozen food per cubic foot within 24 hours. Leave enough space for air to circulate around packages, and be careful to leave enough room at the front so the freezer door can close tightly. To speed of freezing, refer to "Max Freezer Mode" p. 9.

A full freezer stays cold longer than a partially filled one, and a freezer full of meat stays cold longer than a freezer full of baked goods. If food contains ice crystals, it may be safely refrozen, although the quality and flavor may be affected. If the condition of the food is poor, or if you feel it is unsafe, dispose of it.

Storage times will vary according to the quality of food, the type of packaging or wrap used (airtight and moisture-proof), and the storage temperature, which should be 0° to 2°F (-18° to -17° C).

# Cleaning & Maintenance

## ⚠ CAUTION

To avoid personal injury or property damage, read and follow all cleaning product manufacturer's directions.

## ⚠ WARNING

To avoid electrical shock which can cause severe personal injury or death, turn power disconnect switch to OFF before cleaning. After cleaning, return power disconnect switch to ON position.

Your refrigerator is built to give you many years of dependable service. However, there are a few things you can do to help extend its life. This section tells you how to clean your refrigerator and what to do when going on vacation, moving, or during a power outage.

### Interior Surfaces

Wash the interior surfaces of your refrigerator with four tablespoons of baking soda dissolved in one quart of warm water. Use a soft, clean cloth. Rinse these surfaces with warm water, and dry with a soft clean cloth.

#### DO NOT use the following to clean interior surfaces:

- Abrasive or harsh cleaners, such as ammonia or chlorine bleach
- Concentrated detergents or solvents
- Metal scouring pads

These products can scratch, crack and discolor your refrigerator's surfaces. Also, **NEVER** wash the ice bucket or shelves in the dishwasher. They must be cleaned by hand.

### Cleaning Chart

Part	What to Use	How to Clean
<b>Removable parts</b> (shelves, drawers)	Sponge or cloth with mild detergent and warm water	Hand wash, rinse, and dry thoroughly.
<b>Front door panels</b> • stainless steel  • painted	Stainless steel cleaner  Sponge or cloth with mild detergent and warm water. <b>DO NOT</b> use cleaners containing chlorine bleach.	Wipe with soft cloth.  Hand wash, rinse, and dry thoroughly.
<b>Interior walls</b> (allow freezer to warm up so cloth will not stick)	Sponge, soft cloth or paper towel with baking soda or mild detergent and warm water	Hand wash, rinse, and dry thoroughly.
<b>Door liners and gaskets</b>	Sponge, soft cloth or paper towel with mild detergent and warm water.  <b>DO NOT use cleaning waxes, concentrated detergents, or cleaners containing chlorine bleach.</b>	Wash, wipe, and dry thoroughly.
<b>Plastic parts</b> (covers, panels)	Soft, clean sponge or soft clean cloth with mild detergent and warm water.  <b>DO NOT use paper towels, window sprays, or scouring pads. These can scratch and damage the finish.</b>	Wash, wipe, and dry thoroughly.
<b>Super Clog-Resistant™ Condenser*</b>	Vacuum cleaner with extended narrow attachment	Vacuum coils when dusty or dirty.

\* Under normal conditions, condenser is maintenance-free.

# Cleaning & Maintenance

## Glass Shelves

To clean your refrigerator's glass shelves, lift the shelf out by lifting the front and releasing the hooks from the metal track. Then pull the shelf out. Be sure to allow the glass shelves to adjust to room temperature before cleaning.

To clean crevices, dilute mild detergent with water. Brush this solution into crevices using a plastic bristle brush. Let set for five minutes. Spray warm water into crevices using faucet spray attachment. Dry glass shelf thoroughly and replace shelf by inserting hooks into metal track and lowering front.

## Door Gaskets

Clean the door gaskets every three months using the same procedures used for interior surfaces. You should apply a light film of petroleum jelly to keep gaskets pliable.

### ⚠ CAUTION

To avoid personal injury or property damage, handle tempered glass shelves carefully. Shelves may break suddenly if nicked, scratched, or exposed to sudden temperature change.

### ⚠ WARNING



#### BURN HAZARD

**DO NOT** touch condenser coils near defrost pan. Doing so can result in burns.

### ⚠ WARNING



#### ELECTRICAL SHOCK HAZARD

Disconnect power or turn power disconnect switch to OFF position before removing top grille. Failure to do so can result in death or electrical shock.

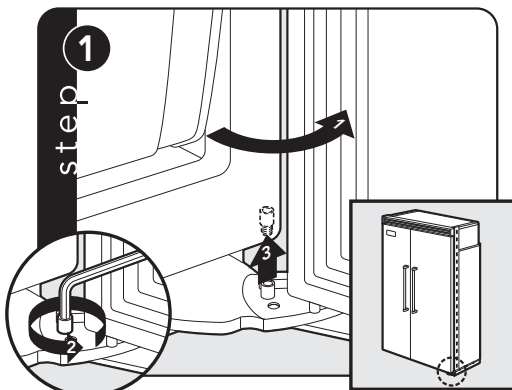
## Defrost Pan

To prevent condensation from overflowing, check defrost pan periodically.

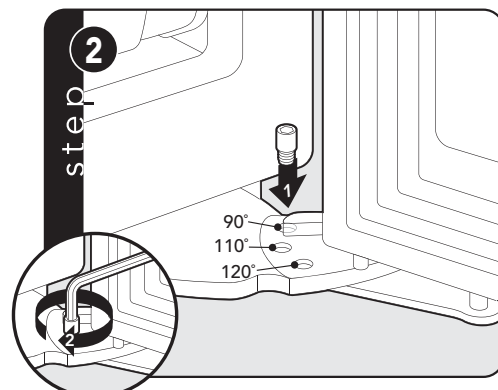
To check defrost pan, remove two screws securing kickplate to unit. Pull defrost pan forward until it stops. Remove any excess water from pan. Wipe and clean defrost pan with a sponge. Return defrost pan to original position. Return kickplate to unit by securing with two screws.

## Door Stop Adjustment

Your refrigerator is factory set at the 110° door stop position. To change to either the 90° or 120° position, remove the door stop pin using a 3/16" (0.5 cm) allen wrench.



Open refrigerator door so door stop and shoulder screw are accessible.



Remove shoulder screw and place in 90° or 120° position.

# Cleaning & Maintenance

## Saving Energy

You can help your refrigerator use less electricity with these simple tips:

- Open the door as few times as possible. Think about what you need before you open the door. Get everything out at one time. Keep food organized so you will not have to search for what you want. Close door as soon as food is removed.
- **DO NOT** overcrowd the unit so air movement is blocked.
- **DO NOT** set the unit to temperature colder than necessary.

## Vacation Tip

When you will be gone from home a short time (less than four weeks), there is no need to shut off your refrigerator. However, be sure to:

- Use any perishables.
- Freeze other items.
- Raise the signal arm in the automatic ice maker to the off (up) position and shut off water supply to the ice maker.

If you will be away from home for a month or more, follow these guidelines:

- Remove all food and ice.
- Turn the power disconnect switch to the off position.
- Clean the unit and door gaskets according to the "Cleaning and Maintenance" chart on page 14.
- Prop doors open with rubber or wood blocks so air can circulate inside. This will keep odor and mold from building up.
- Raise the signal arm in the automatic ice maker to the off (up) position and shut off water supply to the ice maker.

## Power Interruptions

If electric service to your refrigerator will be interrupted for 24 hours or less, keep the doors to the freezer closed. This helps food stay frozen.

If service will be interrupted longer than 24 hours, remove all frozen food and store it in a frozen food locker, or place two pounds of dry ice inside the freezer for every cubic foot of interior volume. This will keep food frozen for two to four days. Be sure to wear gloves to protect your hands from dry ice burns. If neither a food locker or dry ice is available, you should use or can your perishable food at once.



# Troubleshooting

## Understanding Sounds You May Hear

Your new refrigerator may make different sounds than your old one. Hard surfaces, such as the ceilings, walls, and cabinets around the unit can make these sounds seem louder. However, these sounds are normal and will soon become familiar; they indicate that your refrigerator is working properly.

Here are some of the noises you may hear and what they are:

- Freezer or refrigerator fresh food fan: sounds like air rushing or whirling
- Sealed system (evaporator and heat exchanger) refrigerant flow: sounds like gurgles, pops or boiling water
- Defrost heater: sizzles, hisses or pops
- Condenser fan: air rushes and whirls
- Compressor: has a high pitched hum or pulsating sound
- Ice maker valve hookup: buzzes when ice maker fills with water. This occurs whether or not the unit is connected to water supply. If the unit is not connected to water supply, stop sound by raising ice maker arm to off position.

## Most performance problems you might encounter with your new refrigerator will be minor and you should be able to fix them yourself without tools.

Listed in these charts are the most common problems consumers run into with their appliances. Please read through this and see if it can solve your problem before calling for service.

### Common Refrigerator Problems

Problem	Possible Cause And/Or Remedy
Unit will not operate	Is the power cord plugged into a live circuit with the proper voltage? Has a household fuse blown or circuit breaker tripped? Is the power switch in the on position?
Unit makes unfamiliar sounds	See "Understanding Sounds You May Hear" on page 35 for descriptions of normal sounds and what makes them.
Water in the defrost pan	This is normal in hot, muggy weather. Make sure the pan is level so it does not overflow.
Lights do not work	Has a household fuse blown or circuit breaker tripped? Is a bulb burned out? For models with LED lighting, contact an authorized service agency.
Motor seems to run too long	The motor naturally runs longer on hot days, if the room is too warm, if a large amount of food has been added, or if the doors are opened often.
Temperature display does not match set point	Just plugged in unit, just put in hot food, opened the door for an extended time or frequently. Allow unit to stabilize for 24 hours.
Ice crescents attached at corners	This is normal. They break apart easily. Shake bin occasionally to keep cubes separated.
Ice maker will not operate or ice is not made fast enough	<ul style="list-style-type: none"> <li>• On/off lever is in the OFF (up) position. Lower lever to ON (down) position.</li> <li>• Is the water valve turned on? Is water getting to the water valve? Check water line for leaks.</li> <li>• Freezer is not cold enough. Adjust temperature controls and wait 24 hours.</li> </ul>
Off-taste or odor in ice	<ul style="list-style-type: none"> <li>• New plumbing connections can cause discolored or off-flavored ice. Discard the first three harvests of ice.</li> <li>• Cubes are stored too long. Throw them away and make a new supply.</li> <li>• Food is not wrapped properly</li> <li>• Freezer and ice bin need to be cleaned</li> <li>• Water may contain minerals. A filter may be needed to remove them.</li> </ul>

# Service Information

If service is required, call your authorized service agency.

Have the following information readily available:

- Model number
- Serial number
- Date purchased
- Name of dealer from whom purchased

Clearly describe the problem that you are having. If you are unable to obtain the name of an authorized service agency, or if you continue to have service problems, call 1-888-845-4641 or write to:

**PREFERRED SERVICE**  
**111 Front Street**  
**Greenwood, Mississippi 38930 USA**

Record the information indicated below. You will need it if service is ever required. The serial number and model numbers for your refrigerator are located on the upper wall, behind the lighting:

Model No. \_\_\_\_\_ Serial No. \_\_\_\_\_

Date of Purchase \_\_\_\_\_ Date Installed \_\_\_\_\_

Dealer's Name \_\_\_\_\_

Address \_\_\_\_\_

If service requires installation of parts, use only authorized parts to insure protection under the warranty.

**Keep this manual for future reference.**

# Warranty

## BUILT-IN SIDE-BY-SIDE REFRIGERATION WARRANTY

### TWO YEAR FULL WARRANTY

Built-in side-by-side refrigerators and all of their component parts, **except as detailed below\*†**, are warranted to be free from defective materials or workmanship in normal residential use for a period of two (2) years from the date of original retail purchase or closing date for new construction, whichever period is longer. AGA Marvel, warrantor, agrees to repair or replace, at its option, any part which fails or is found to be defective during the warranty period.

**\*FULL NINETY (90) DAY COSMETIC WARRANTY:** Product is warranted to be free from cosmetic defects in materials or workmanship (such as scratches on stainless steel, paint/porcelain blemishes, etc.) for a period of ninety (90) days from the date of original retail purchase or closing date for new construction, whichever period is longer. Any defects must be reported to the selling dealer within ninety (90) days from date of original retail purchase. AGA Marvel uses high quality processes and materials available to produce all color finishes. However, slight color variation may be noticed because of the inherent differences in painted parts and porcelain parts as well as differences in kitchen lighting, product locations, and other factors. Therefore, this warranty does not apply to color variation attributable to such factors.

**†FULL NINETY (90) DAY WARRANTY IN "RESIDENTIAL PLUS" APPLICATIONS:** This full warranty applies to applications where use of the product extends beyond normal residential use, but the warranty period for products used in such applications is ninety (90) days. Examples of applications covered by this warranty are bed and breakfasts, fire stations, private clubs, churches, yachts, etc. Under this "Residential Plus" warranty, the product, its components and accessories are warranted to be free from defective material or workmanship for a period of ninety (90) days from the date of original retail purchase. This warranty excludes use of the product in all commercial locations such as restaurants, food service locations and institutional food service locations.

### SIX YEAR FULL WARRANTY ON SEALED REFRIGERATION PARTS AS LISTED

Any sealed refrigeration system component, as listed below, is warranted to be free from defective materials or workmanship in normal household use during the third through the sixth year from the date of original retail purchase. AGA Marvel, warrantor, agrees to repair or replace, at its option, any part which fails or is found to be defective during the warranty period.

**Sealed Refrigeration System Components:** Compressor, Evaporator, Condenser, Connecting Tubing, Dryer/Strainer

### TWELVE YEAR LIMITED WARRANTY ON SEALED REFRIGERATION PARTS AS LISTED

Any sealed refrigeration system component, as listed above, which fails due to defective materials or workmanship in normal household use during the seventh through the twelfth year from the date of original retail purchase will be repaired or replaced, free of charge for the part itself, with the owner paying all other costs, including labor.

### TERMS AND CONDITIONS

This warranty extends to the original purchaser of the product warranted hereunder and to each transferee owner of the product during the term of the warranty and applies to products purchased and located in the United States, Canada, Mexico and the Caribbean (excluding Cuba, Dominican Republic, and Haiti). Products must be purchased in the country where service is requested. If the product or one of its component parts contains a defect or malfunction during the full warranty period after a reasonable number of attempts by the warrantor to remedy the defect or malfunction, the owner is entitled to either a refund or replacement of the product or its component part or parts. Replacement of a component part includes its free installation, except as specified under the limited warranty. Under the terms of this warranty, service must be performed by a factory authorized AGA Marvel service agent or representative. Service will be provided during normal business hours, and labor performed at overtime or premium rates shall not be covered by this warranty.

Owner shall be responsible for proper installation, providing reasonable and necessary maintenance, providing proof of purchase upon request, and making the appliance reasonably accessible for service. The return of the Owner Registration Card is not a condition of warranty coverage. You should, however, return the Owner Registration Card so that AGA Marvel can contact you should any question of safety arise which could affect you.

This warranty gives you specific legal rights, and you may also have other rights which may vary from jurisdiction to jurisdiction.

**WHAT IS NOT COVERED BY THIS WARRANTY:** This warranty shall not apply to damage resulting from abuse, failure to provide reasonable and necessary maintenance, accident, delivery, negligence, natural disaster, loss of electrical power to the product for any reason, alteration, outdoor use, improper installation, improper operation, or repair or service of the product by anyone other than an authorized AGA Marvel service agency or representative. This warranty does not apply to commercial usage.

### LIMITATION OF REMEDIES AND DURATION OF IMPLIED WARRANTY

**OWNER'S SOLE AND EXCLUSIVE REMEDY FOR A CLAIM OF ANY KIND WITH RESPECT TO THIS PRODUCT SHALL BE THE REMEDIES SET FORTH ABOVE. AGA Marvel IS NOT RESPONSIBLE FOR CONSEQUENTIAL OR INCIDENTAL DAMAGE, INCLUDING BUT NOT LIMITED TO FOOD OR MEDICINE LOSS, DUE TO PRODUCT FAILURE, WHETHER ARISING OUT OF BREACH OF WARRANTY, BREACH OF CONTRACT OR OTHERWISE.** Some jurisdictions do not allow the exclusion or limitation of incidental or consequential damages, so the above limitation or exclusions may not apply to you. **ANY IMPLIED WARRANTIES OF MERCHANTABILITY OR FITNESS FOR A PARTICULAR PURPOSE APPLICABLE TO THIS PRODUCT ARE LIMITED IN DURATION TO THE PERIOD OF COVERAGE OF THE APPLICABLE EXPRESS WRITTEN LIMITED WARRANTIES SET FORTH ABOVE.** Some states do not allow limitations on how long an implied warranty lasts, so the above limitation may not apply to you.

### WARRANTY SERVICE

To obtain warranty service, contact an authorized service agent, or Preferred Customer Service, 111 Front Street, Greenwood, Mississippi 38930, (888) 845-4641. Provide model and serial number and date of original purchase or closing date for a new construction. For the name of your nearest authorized service agency, call Preferred Customer Service at 1-888-845-4641. **IMPORTANT:** Retain proof of original purchase to establish warranty period.

Specifications subject to change without notice.

**AGA Marvel**  
**1260 E. VanDeinse St.**  
**Greenville MI 48838**

For product information,  
call 1-800-(223-3900)  
or visit our web site at [www.agamarvel.com](http://www.agamarvel.com)

d'Utilisation  
et  
d'Entretien

Réfrigérateur  
Côte à côte  
Encastré

**MP42SS2**

**MP48SS2**



# Félicitations

Nous espérons que vous allez aimer et apprécier le soin et l'attention que nous avons apportée à chaque détail de votre nouveau Marvel Professional appareil ultra moderne.

Votre appareil est conçu pour vous offrir des années de service fiable. Ce manuel d'utilisation et d'entretien vous fournira les informations nécessaires pour vous familiariser avec le fonctionnement et l'entretien de votre appareil.

Votre entière satisfaction est notre objectif ultime. Si vous avez des questions ou des commentaires à propos de ce produit, veuillez contacter le distributeur qui vous a vendu le produit, ou contactez notre centre d'assistance à la clientèle au 1-888-845-4641.

Nous apprécions votre choix d'acquérir un appareil et nous espérons que vous reviendrez vers nous pour vos autres besoins d'appareils ménagers principaux.

Pour plus d'informations sur la gamme complète et toujours plus large de produits, visitez-nous en ligne sur [www.agamarvel.com](http://www.agamarvel.com).

**Votre sécurité est importante pour nous.** Ce manuel d'utilisation et d'entretien contient des symboles et des déclarations de sécurité. Veuillez accorder une attention particulière à ces symboles et suivre les instructions données.



Ce symbole vous avertit des dangers tels que des incendies, des chocs électriques ou d'autres blessures.

# Avertissement

## ⚠ AVERTISSEMENT

Pour réduire le risque d'incendie, de décharge électrique ou de blessures lors de l'utilisation de votre appareil, suivre les conseils suivants :

- Lire toutes les instructions avant d'utiliser l'appareil.
- Ne jamais permettre aux enfants de faire fonctionner, de jouer avec, ou de ramper à l'intérieur de l'unité.
- Ne jamais nettoyer les pièces de l'unité avec des fluides inflammables. Les émanations peuvent provoquer un risque d'incendie ou d'explosion.
- Toujours mettre le commutateur d'alimentation (situé derrière la grille d'air sur la partie supérieure droite) à la position d'arrêt (OFF) avant d'essayer de changer les ampoules, nettoyer ou réparer l'appareil.

### POUR VOTRE SÉCURITÉ

NE PAS ENTREPOSER OU UTILISER D'ESSENCE OU D'AUTRES LIQUIDES ET VAPEURS INFLAMMABLES PRÈS DE CET APPAREIL OU DE TOUT AUTRE APPAREIL. LES ÉMANATIONS PEUVENT PROVOQUER UN RISQUE D'INCENDIE OU D'EXPLOSION.

## ⚠ AVERTISSEMENT

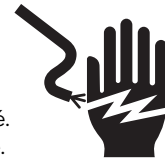
### RISQUE DE DÉCHARGE ÉLECTRIQUE

Branchez sur une prise à 3 broches mises à la terre. Si vous avez une prise murale à 2 broches, contactez un électricien qualifié. Ne retirez pas la broche de mise à la terre. L'appareil doit être mis à la terre à tout moment.

N'utilisez pas d'adaptateur.

N'utilisez pas de rallonge.

Le non-respect de ces consignes peut provoquer la mort, un incendie ou un décharge électrique.



## ⚠ AVERTISSEMENT

Pour éviter les maladies graves voire mortelles, n'utilisez pas l'appareil là où l'eau est de qualité douteuse ou inconnue sans effectuer une désinfection adéquate avant ou après l'utilisation du filtre.

## ⚠ AVERTISSEMENT

Pour éviter toute décharge électrique pouvant causer des blessures graves ou la mort, tournez le sectionneur de tension sur OFF (arrêt) avant de procéder au nettoyage. Après le nettoyage, retournez le sectionneur de tension sur la position ON (marche).

## ⚠ AVERTISSEMENT

### RISQUE DE DÉCHARGE ÉLECTRIQUE

Débranchez l'alimentation ou tournez le sectionneur de tension sur OFF (arrêt) avant d'enlever la grille supérieure. Le non-respect de cette consigne peut entraîner la mort ou une décharge électrique.



## ⚠ AVERTISSEMENT

### RISQUE DE BRÛLURE

Ne touchez pas les serpentins réfrigérants près du bac de décongélation.

Le non-respect de ces consignes peut entraîner des brûlures.



# Table des matières

## Démarrage

Consignes de sécurité importantes	4
Mise au rebut appropriée (de l'ancien réfrigérateur)	5
Caractéristiques	6

## Commandes du produit

Réglages et fonctions	8
-----------------------	---

## Fonctionnement

Tout réfrigérateur	10
Machine à glaçons automatique	12
Guide d'entreposage des aliments	13

## Entretien du produit

Nettoyage et entretien	14
Dépannage	17
Informations sur l'entretien	18
Garantie	19

## Consignes de sécurité importantes

- Installez et mettez à niveau votre appareil sur un plancher qui tiendra son poids, plus le poids des aliments (environ 1 200 livres [540 kg]) et dans un espace convenable pour ses dimensions et son utilisation.
- N'installez pas près d'une source de chaleur, ni dans un endroit où la température ambiante baissera au-dessous de 60° F (16° C).
- N'installez pas l'appareil à l'extérieur et ne l'exposez pas aux intempéries.
- Branchez votre appareil uniquement à une prise de courant appropriée, avec une alimentation et une mise à la terre correcte. (Voir la section Spécifications électriques des Instructions d'installation).
- Utilisez cet appareil uniquement aux fins indiquées dans ce manuel.
- Entretenez correctement l'appareil.
- Assurez-vous que l'appareil n'est pas utilisé par quiconque qui ne serait pas en mesure de le faire fonctionner correctement.



# Élimination correcte

(de l'ancien appareil)

## IMPORTANT :

Maintenant que vous avez un nouvel appareil, il est extrêmement important que vous vous débarrassiez de votre ancien appareil de façon à minimiser la possibilité que des enfants puissent le trouver. Il y a eu de nombreux cas au cours des dernières années où des enfants rampaient à l'intérieur des réfrigérateurs à la ferraille et abandonnés, et se retrouvaient coincés ou s'étouffaient.

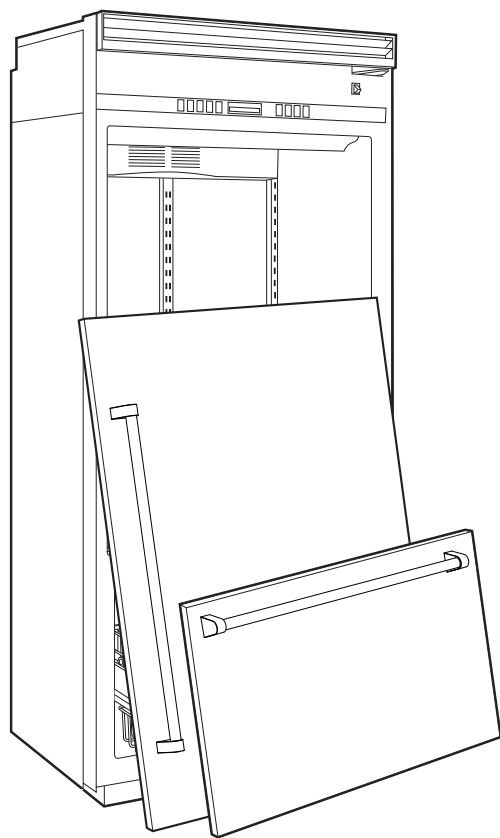
Contactez votre service municipal d'élimination des déchets pour trouver la meilleure façon et la plus sûre de vous débarrasser de votre ancien appareil.

## **⚠ DANGER**

### **RISQUE DE PIÉGEAGE D'ENFANT**

Avant de jeter votre ancien réfrigérateur ou congélateur :

- Retirer les portes.
- Laisser les tablettes en place afin que les enfants ne puissent pas facilement grimper à l'intérieur.



# Caractéristiques générales

- **Système de gestion de la température ProChill™**

Son compresseur DC Overdrive™ à vitesse variable est le plus silencieux et le plus avancé sur le plan technologique. Les commandes électroniques avec affichage numérique de la température, maintiennent les températures et le système d'aération multicanaux avec l'évaporateur Odor Eliminator™ évacuent les odeurs et l'excès d'humidité.

- **Purificateur d'air à ions Plasmacluster™\* (Tout réfrigérateur)**

Le purificateur d'air à ions Plasmacluster™ utilise des ions pour éliminer les bactéries aéroportées et les spores de moisissures, supprimer les odeurs et améliorer la conservation des aliments. Grâce à la technologie unique, le Plasmacluster™ continuera à garder le réfrigérateur sans bactéries et moisissures sans jamais avoir à être remplacé.

- **Tiroirs Adjustable Humidity Zone™ (Tout réfrigérateur)**

Grâce au contrôle d'humidité réglable, les tiroirs Adjustable Humidity Zone™ peuvent être réglés sur la valeur élevée pour les légumes à feuilles ou la valeur basse pour les fruits et légumes à peau.

- **Condenseur Super Clog-Resistant™**

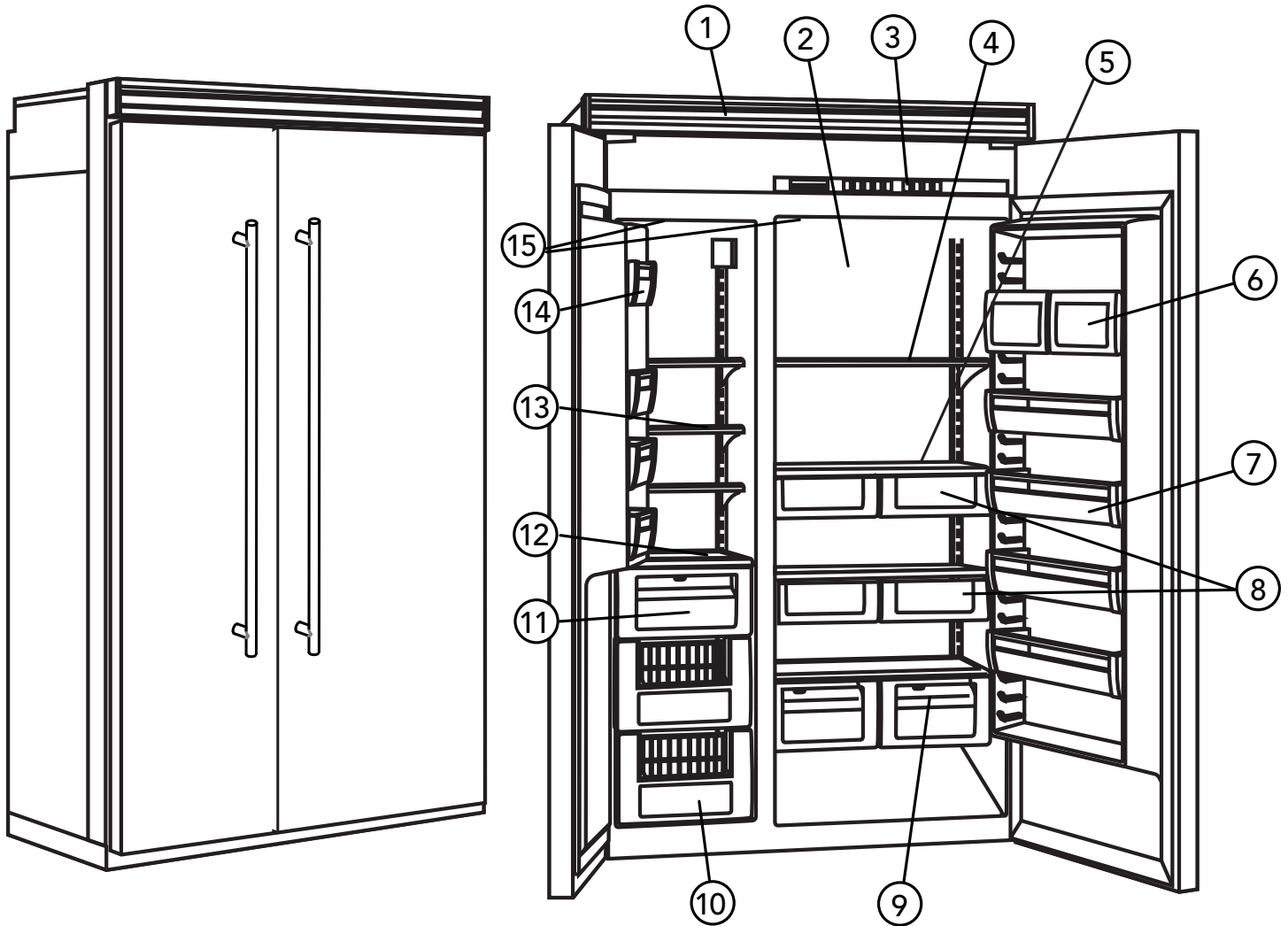
La conception de la broche et du tube du serpentin réfrigérant empêche la poussière et les autres particules en suspension d'obstruer le condenseur. En fonctionnement normal, le condenseur ne nécessite pas d'entretien.

- **LED d'éclairage**

Haut et paroi latérale LED intérieur éclairage fournit éclairage contenu du réfrigérateur

\*Plasmacluster est une marque de commerce de Sharp Corporation.

# Caractéristiques



1. Compresseur Overdrive™ c.c. à vitesse variable et condenseur Super Clog-Resistant™
2. Purificateur d'air ionique Plasmacluster™
3. Commandes électroniques avec relevés de température numériques
4. Clayettes anti-déversement avec Nano technologie (2)
5. Clayettes anti-déversement (2)
6. Casiers à beurre (2)
7. Balconnets de porte réglables (4) (Breveté)
8. Tiroirs à compartiments de charcuterie (4)

9. Bacs Adjustable Humidity Zone™
10. Paniers de congélateur coulissants (2)
11. Bac à glaçons (1)
12. Clayette de congélateur non réglable (1)
13. Clayette de congélateur réglable (3)
14. Balconnets de congélateur réglables (3)
15. LED d'éclairage

# Paramètres et fonctions

Pour que votre nouvel appareil fonctionne correctement, il est important que vous compreniez ses diverses fonctions et commandes et la façon de les utiliser.

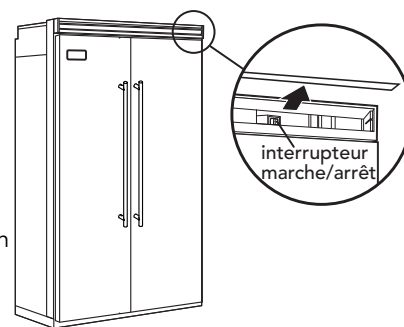
## Interrupteur marche/arrêt (sectionneur de tension)

L'interrupteur marche/arrêt est situé derrière la grille supérieure.

Il est utilisé pour couper l'alimentation lors du nettoyage. Votre appareil arrive de l'usine avec l'interrupteur en position de marche.

Pour mettre hors tension, retirez la lame de la grille centrale. Mettez l'interrupteur marche/arrêt en position off (arrêt).

Pour mettre sous tension, mettez l'interrupteur marche/arrêt en position on (marche). Remettez la lame de la grille centrale.



**IMPORTANT :** Assurez-vous que l'interrupteur marche/arrêt est en position on (marche) après le nettoyage.

<b>FREEZER</b>		<b>REFRIGERATOR</b>
MAX FRZ	MAX REF	DOOR OPEN
FAST COOL		POWER
SAB SHOW		HIGH TEMP

°C °F

## Activation du mode Showroom (salle d'exposition)

Le mode Showroom (salle d'exposition) permet aux commandes électroniques et aux lumières intérieures de fonctionner indépendamment du système de réfrigération.



Pour accéder au mode Showroom (salle d'exposition) : Appuyez sur la touche « ACTIVATE CONTROLS » (activer commandes) et maintenez-la enfoncée. Tout en maintenant, appuyez sur les touches « HIGHER » (plus haut) et « ALARM OFF » (désactiver alarme) en même temps et maintenez-les enfoncées pendant 3 secondes. Trois bips se font entendre et SHOW sera allumé. Le mode Showroom (salle d'exposition) est accédé.



Pour quitter le mode Showroom (salle d'exposition) : appuyez sur la touche « ACTIVATE CONTROLS » (activer commandes) et maintenez-la enfoncée. Tout en maintenant, appuyez sur les touches « HIGHER » (plus haut) et « ALARM OFF » (désactiver alarme) en même temps et maintenez-les enfoncées. Trois bips se font entendre et le contrôle revient à l'opération et l'affichage normal.

## Réglages de température électroniques

Les commandes électroniques sont situées derrière la porte au-dessus de l'intérieur du bâti. Pour activer le panneau de commande électronique, appuyez sur la touche « ACTIVATE CONTROLS » (activer commandes). Les autres touches, sauf la touche « ALARM OFF » (désactiver alarme), resteront inactives jusqu'à ce que la touche « ACTIVATE CONTROLS » (activer commandes) soit enfoncée. Une fois activée, la touche reste programmable pendant au moins dix minutes.

Lorsque vous branchez votre nouvel appareil pour la première fois, vous verrez que le réglage d'usine du réfrigérateur est 38 °F et le réglage d'usine du congélateur est 0° F. Attendez 24 heures après le branchement pour atteindre ce réglage. Après 24 heures, vous pouvez ajuster les réglages comme vous le souhaitez.

Pour changer de °F à °C, appuyez sur la touche « ACTIVATE CONTROLS » (activer commandes), puis appuyez sur « ALARM OFF » (désactiver alarme) et maintenez-la enfoncée pendant 3 secondes. Pour revenir, suivez les mêmes étapes.

Pour régler la température du réfrigérateur ou du congélateur, il suffit d'appuyer sur la touche « ACTIVATE CONTROLS » (activer commandes), puis sur la touche « REF TEMP » (température du réfrigérateur) ou sur la touche « FRZ TEMP » (température du congélateur). Appuyez sur les touches « HIGHER » (plus haut) ou « LOWER » (plus bas) pour régler la température d'un degré à la fois.

**REMARQUE :** Attendez 24 heures pour que la température atteigne le réglage désiré après tout changement de la température de consigne.

## Tonalité d'entrée

Le ton d'entrée est le « bip » que vous entendrez lorsque vous appuyez sur la touche de commande. Vous pouvez désactiver la tonalité d'entrée en appuyant sur la touche « ACTIVATE CONTROLS » (activer commandes) et en maintenant enfoncée pendant 3 à 5 secondes. Vous entendrez trois bips courts pour vous faire savoir que la tonalité d'entrée a été désactivée.

Pour activer la tonalité d'entrée, il suffit d'appuyer sur la touche « ACTIVATE CONTROLS » (activer commandes) et la maintenir enfoncée pendant 3 à 5 secondes.



# Paramètres et fonctions

## Fast Cool (refroidissement rapide)

Fast Cool (refroidissement rapide) fait fonctionner le compresseur à vitesse élevée pendant 2 heures pour refroidir le réfrigérateur le plus rapidement possible. Après 2 heures, le réfrigérateur retourne au réglage précédent.

Pour activer le refroidissement rapide, appuyez sur la touche « ACTIVATE CONTROLS » (activer commandes), puis sur la touche « FAST COOL » (refroidissement rapide). Le voyant de refroidissement rapide s'allumera.

## Mode réfrigérateur max

Le mode réfrigérateur max règle la température du réfrigérateur à la température la plus froide pendant 4 heures, à la fin desquelles la température du réfrigérateur retourne automatiquement à sa valeur précédente. Pour activer le mode réfrigérateur max, il suffit d'appuyer sur la touche « ACTIVATE CONTROLS » (activer commandes), puis sur la touche « MAX REF » (réfrigérateur max). Le voyant « MAX REF » (réfrigérateur max) s'allume pour vous indiquer que vous avez activé le mode réfrigérateur max.

Pour désactiver le mode réfrigérateur max avant la fin du cycle de quatre heures, appuyez sur la touche « ACTIVATE CONTROLS » (activer commandes), puis sur la touche « MAX REF » (réfrigérateur max).

## Mode congélateur max

Le mode congélateur max règle la température du congélateur à la température la plus froide pendant 6 heures, à la fin desquelles la température du congélateur retourne automatiquement à sa valeur précédente.

Pour activer le mode congélateur max, il suffit d'appuyer sur la touche « ACTIVATE CONTROLS » (activer commandes), puis sur la touche « MAX FRZ » (congélateur max). Le voyant « MAX FRZ » (congélateur max) s'allume pour vous indiquer que vous avez activé le mode congélateur max.

Pour désactiver le mode congélateur max avant la fin du cycle de 24 heures, il suffit d'appuyer sur la touche « ACTIVATE CONTROLS » (activer commandes), puis sur la touche « MAX FRZ » (congélateur max).

## Alarme de porte ouverte

L'alarme de porte ouverte retentit et le voyant « DOOR OPEN » (porte ouverte) clignote si une porte est laissée ouverte pendant plus de trois minutes.

Pour désactiver l'alarme de porte ouverte, appuyez sur la touche « ALARM OFF » (désactiver alarme) ou fermez la porte ouverte.

## Alarme de température élevée

L'alarme de température élevée retentit et le voyant « HIGH TEMP » (température élevée) s'allume si la température du réfrigérateur ou du congélateur est trop élevée pendant deux heures. Un voyant clignotant indique quelle partie de l'appareil est touchée. L'alarme cesse de retentir lorsque la température est ramenée à un bon réglage.

Pour désactiver l'alarme de température élevée, appuyez sur la touche « ALARM OFF » (désactiver alarme).

## Alarme de panne d'alimentation

Aucune alarme ne retentit, cependant, le voyant « POWER » (alimentation) clignote indiquant une perte de puissance. Appuyez sur la touche « ALARM OFF » (désactiver alarme) pour désactiver.

## Alarme de capteur de température

L'alarme de capteur de température est une fonction spéciale qui détecte électroniquement les problèmes du capteur de température. L'alarme de capteur de température retentit et l'écran affiche oPn ou Shr. L'alarme peut être désactivée en appuyant sur la touche « ALARM OFF » (désactiver alarme) sur le panneau de commande de votre réfrigérateur. **Si l'affichage ne retourne pas à la température, contactez immédiatement un technicien agréé.**

## Afficher la

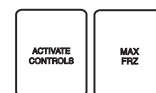
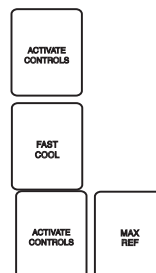
Pour activer l'affichage de la température, appuyez sur la touche « ACTIVATE CONTROLS » (activer commandes).

Pour désactiver l'affichage de la température, appuyez sur la touche « ACTIVATE CONTROLS » (activer commandes), puis sur la touche « DISPLAY OFF » (désactiver affichage).

## Mode Sabbat

Le mode Sabbat est utilisé pour désactiver l'éclairage intérieur et les alarmes pour l'observance du Sabbat.

Avant que le mode Sabbat soit activé, le bras balle de la machine à glaçons (modèles tout congélateur) doit être soulevé jusqu'à ce qu'il s'enclenche. Cela coupe l'alimentation de la machine à glaçons.



# Paramètres et fonctions

Pour accéder au mode Sabbat, appuyez sur la touche « ACTIVATE CONTROLS » (activer commandes) pour activer le panneau de commande. Ensuite, appuyez simultanément sur les touches « ACTIVATE CONTROLS » (activer commandes) et « DISPLAY OFF » (désactiver affichage) pendant 3 secondes. Il émet trois bips et le voyant SAB s'allume afin que vous sachiez que vous avez activé le mode Sabbat.



Lorsque votre appareil est en mode Sabbat, l'éclairage intérieur, l'affichage (sauf le voyant SAB, l'indicateur de température et l'indicateur de compartiment) et les alarmes sont désactivés.

Si votre appareil perd de la puissance en mode Sabbat, il reviendra au mode Sabbat lorsque l'alimentation est rétablie.

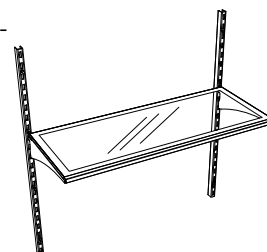


Pour quitter le mode Sabbat, appuyez sur la touche « ACTIVATE CONTROLS » (activer commandes). Ensuite, appuyez simultanément sur les touches « ACTIVATE CONTROLS » (activer commandes) et « DISPLAY OFF » (désactiver affichage) pendant 3 secondes. Puis, vous entendrez trois bips vous faisant savoir que vous avez désactivé le mode Sabbat.

Une fois que votre appareil a quitté le mode Sabbat, le bras balle de la machine à glaçons (modèles tout congélateur) doit être poussé vers le bas jusqu'à ce qu'il ne soit plus dans la détente. Cela permettra de restaurer l'alimentation de la machine à glaçons.

## Clayettes anti-goutte Plus avec nanotechnologie

Certains modèles de réfrigérateur comprennent des clayettes anti-goutte Plus. Ces clayettes anti-goutte contiennent des liquides sans extrémités surélevées pour augmenter la capacité de la clayette.



## Clayettes anti-déversement standard

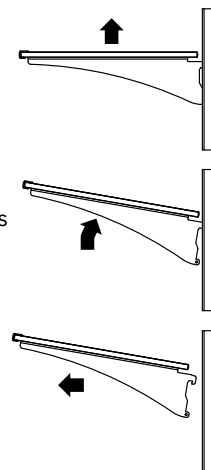
Les clayettes anti-goutte sont construites en polypropylène moulé autour du verre et de la traverse métallique. Grâce à cette conception, les clayettes sont entièrement enfermées et les liquides ne peuvent pas couler sous le verre. Cela permet de repérer les gouttes et facilite le nettoyage.

**REMARQUE :** Les aliments et la boisson posés sur la clayette la plus élevée sous l'ouverture d'aération peuvent se congeler.

## Ajustement de la clayette

Vous pouvez ajuster les clayettes pour qu'elles conviennent à la façon dont vous utilisez votre réfrigérateur. Pour retirer les clayettes, inclinez l'avant de la clayette vers le haut pour relâcher les crochets de support de la clayette, puis tirez la clayette tout droit pour la sortir.

Pour réinstaller les clayettes, guidez les crochets arrière de la clayette dans les fentes des supports de la clayette. Puis inclinez l'avant de la clayette vers le haut jusqu'à ce que les crochets descendent dans les fentes et abaissez l'avant de la clayette pour qu'elle soit dans une position plane.



### ⚠ MISE EN GARDE

Pour éviter des blessures et des dommages matériels, assurez-vous que la tablette est bien installée en y posant des objets.

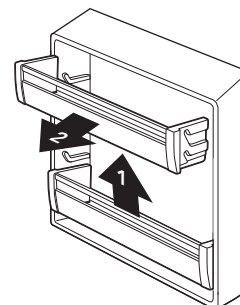
### ⚠ MISE EN GARDE

Pour éviter des blessures et des dommages matériels, manipulez avec soin tablettes en verre trempé. Les tablettes peuvent se casser soudainement si elles sont ébréchées, éraflées ou exposées à des changements de température soudains.

## Réglage des casiers de porte

Les casiers de porte de votre appareil accueillent des bouteilles de deux litres et peuvent être placés dans n'importe quelle position sur la porte du réfrigérateur. Pour retirer un casier, il suffit de le saisir, le soulever, puis le retirer.

Pour réinstaller le casier, placez-le sur les glissières de la porte, puis poussez le casier pour le verrouiller en place.

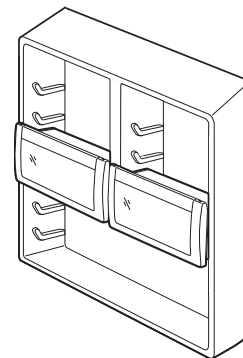


# Paramètres et fonctions

## Compartiments pour produits laitiers

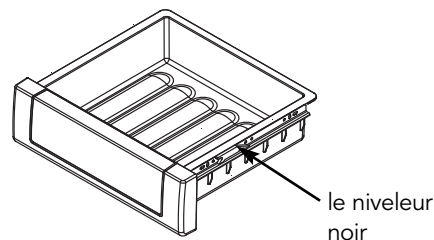
Les portes des compartiments pour produits laitiers sont entourées par des joints pour une meilleure étanchéité. Cela permet aux aliments à rester frais beaucoup plus longtemps. Les compartiments pour produits laitiers peuvent être ajustés pour répondre à vos besoins de stockage.

Pour retirer les compartiments pour produits laitiers, il suffit de saisir, soulever, puis tirer. Pour réinstaller, positionnez le compartiment pour produits laitiers sur les glissières dans la porte et poussez le compartiment pour le verrouiller en place.



## Tiroirs à compartiments de charcuterie

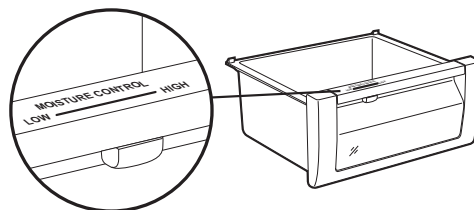
Pour retirer le tiroir, sortez-le jusqu'à la butée. Puis, de chaque côté du tiroir, repérez le niveleur noir sur les glissières et soulever jusqu'à ce que le tiroir se désengage des glissières. Tirez le tiroir pour le sortir de la voie. Pour réinstaller le tiroir, étendez les glissières jusqu'à la butée. Ensuite, placez le tiroir sur les glissières et repoussez-le jusqu'à ce que le tiroir engage le crochet. Abaissez la partie avant du tiroir, saisissez les glissières/ le tiroir et pressez légèrement jusqu'à ce que le tiroir s'enclenche sur les glissières. Ensuite, faites glisser le tiroir jusqu'à ce qu'il s'arrête.



## Tiroirs Adjustable Humidity Zone™

Le contrôle de l'humidité de vos tiroirs à denrées vous donne la possibilité de changer la quantité d'humidité ou l'humidité dans un tiroir.

Le contrôle de l'humidité est situé en dessous de la garniture avant. Faites glisser le commutateur vers un réglage plus élevé pour le stockage des légumes à feuilles, comme la laitue, les épinards ou le chou. Faites glisser le commutateur vers un réglage inférieur pour ranger les fruits et légumes à peau, comme les pommes, le maïs ou les tomates. Voir « Guide d'entreposage des aliments » (pg. 13) pour plus d'informations sur l'entreposage correct des aliments.

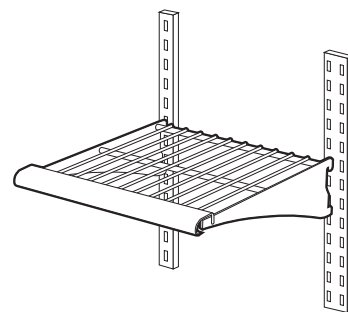


Pour retirer le tiroir, sortez-le jusqu'à la butée. Puis, de chaque côté du tiroir, repérez le niveleur noir sur les glissières et soulever jusqu'à ce que le tiroir se désengage des glissières. Tirez le tiroir pour le sortir de la voie. Pour réinstaller le tiroir, étendez les glissières jusqu'à la butée. Ensuite, placez le tiroir sur les glissières et repoussez-le jusqu'à ce que le tiroir engage le crochet. Abaissez la partie avant du tiroir, saisissez les glissières/ le tiroir et pressez légèrement jusqu'à ce que le tiroir s'enclenche sur les glissières. Ensuite, faites glisser le tiroir jusqu'à ce qu'il s'arrête.

# Tout congélateur

## Ajustement des clayettes métalliques

Vous pouvez facilement ajuster les clayettes de votre congélateur. Pour retirer une clayette, relevez-la tout simplement à l'avant, en dégageant les crochets du support. Ensuite, tirez droit. Pour remettre la clayette en place, guidez les crochets arrière de la clayette dans les fentes du support. Ensuite, relevez la clayette à l'avant jusqu'à ce que les crochets tombent dans les fentes, puis abaissez l'avant de la clayette en position horizontale.



## Machine à glaçons automatique

La machine à glaçons et le tiroir à glaçons coulissant de votre réfrigérateur ne sont pas réglables, mais le tiroir à glaçons glisse vers l'avant pour faciliter l'accès aux glaçons.

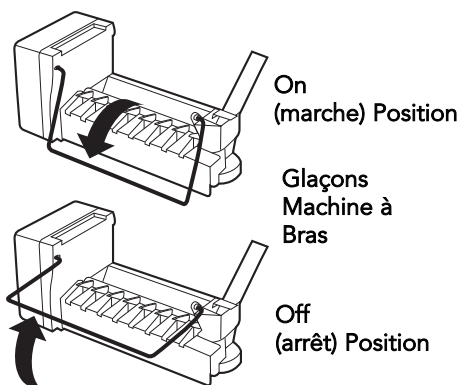
Après que le congélateur atteigne la température normale, la machine à glaçons se remplit d'eau et commence à fonctionner. Dans des conditions normales, la machine à glaçons produira sept à neuf lots de glaçons par période de 24 heures.

**REMARQUE :** Attendez 24 à 48 heures après la pose avant de chercher des glaçons dans votre tiroir à glaçons. Vous devez jeter les 3 premiers tiroirs remplis de glaçons et également le premier tiroir rempli de glaçons après une longue période d'inutilisation.

Lors de la production des glaçons, le bras de la machine à glaçons se soulève et s'abaisse. Lorsque le bac à glaçons est plein, le bras de machine à glaçons arrête automatiquement la machine à glaçons. Pour arrêter manuellement la production de glaçons, soulevez le bras de machine à glaçons. Vous entendrez un clic quand vous avez le bras dans la bonne position. La machine à glaçons ne produira plus de glaçons jusqu'à ce que vous abaissiez le bras.

Pour retirer les bacs à glaçons, étendez complètement le tiroir à glaçons. Placez votre main sous le bac à glaçons. Poussez le bac à glaçons vers le haut. Saisissez le bord du bac à glaçons et soulevez vers le haut. Stockez le bac à glaçons en lieu sûr.

Pour réinstaller les bacs à glaçons, abaissez-les dans la zone découpée sur le cadre du tiroir. Ajustez vers l'avant ou vers l'arrière selon les besoins.



## ⚠ MISE EN GARDE

Pour éviter d'endommager la machine à glaçons, respectez les consignes suivantes :

- Ne forcez pas le bras de la machine à glaçons vers le bas ou vers le haut au-delà de la position d'arrêt.
- Ne stockez ni ne placez pas quoi que ce soit dans le panier à glaçons.



# Guide d'entreposage des aliments

## Entreposage des aliments frais (tout réfrigérateur)

- Emballez ou entreposez les aliments dans le réfrigérateur dans un matériau étanche à l'air et à l'humidité. Cela empêche le transfert des goûts et des odeurs des aliments. Pour les produits datés, vérifiez la date limite de consommation pour en garantir la fraîcheur.
- Pour conserver les légumes à feuilles, retirez l'emballage. Puis éliminez les sections endommagées et décolorées. Lavez les légumes à l'eau froide et égouttez-les, puis placez-les dans un sac ou un contenant en plastique et rangez-les dans votre tiroir à légumes.
- Rangez les légumes à peau, comme les carottes et les poivrons, dans des sacs ou des contenants en plastique.
- Pour la réfrigération des fruits, lavez les fruits et puis laissez-les sécher. Rangez les fruits dans des sacs en plastique. Ne lavez pas les baies jusqu'à ce qu'elles soient prêtes à l'emploi. Au lieu de cela, trie et conservez les baies dans leur contenant d'origine dans le bac à légumes ou rangez-les dans un sac en papier lâchement fermé sur la tablette du réfrigérateur.
- Rangez les œufs sans les laver. Conservez les œufs dans leur carton d'origine ou dans le bac à œufs de votre réfrigérateur.
- Essayez les cartons de lait. Pour une meilleure conservation, placez le lait sur une tablette intérieure.
- Gardez le beurre ouvert dans un plat couvert ou un compartiment fermé. Lors du stockage de beurre au congélateur, enveloppez-le dans un emballage de congélation.
- Lorsque vous avez des restes, couvrez-les avec un emballage plastique, une feuille d'aluminium ou placez-les des bols plastiques avec couvercles étanches.
- Entreposez la viande dans l'emballage d'origine tant qu'il est étanche à l'air et résistant à l'humidité. Réemballez la viande si nécessaire.

**REMARQUE :** En cas d'entreposage de la viande sur une période plus longue que le temps indiqué, congelez-la.

### Durées d'entreposage recommandées :

Poulet	1-2 jours	Bacon	5-7 jours
Bœuf haché	1-2 jours	Charcuteries	3-5 jours
Steaks/rôtis	3-5 jours	Abats	1-2 jours
Viandes salaisonées	7-10 jours		

**REMARQUE :** Utilisez les coquillages et les poissons frais le même jour de l'achat.

## Emballage des aliments pour la congélation (Tout congélateur)

Le secret d'une congélation réussie se trouve dans l'emballage; la façon dont vous fermez et scellez un paquet d'aliments ne doit pas laisser l'air ou l'humidité circuler, sinon la qualité des aliments se détériorera même si congelés.

### Parmi les emballages que vous ne devez pas utiliser pour la congélation :

- Emballages pour pain
- Contenants de plastique non-polyéthylène
- Contenants sans couvercle
- Papier ciré ou pellicule congélateur enduit de cire
- Pellicule mince et semi-perméable

### Emballages recommandés :

- Contenants rigides en plastique avec couvercles hermétiques
- Bocaux de conserves/congélation à bords droits
- Papier d'aluminium résistant
- Papier plastifié
- Emballages en plastique étanches (faits d'une pellicule saran)
- Sacs en plastique autohermétiques spécifiés pour congélateur

Suivre les instructions de l'emballage ou du contenant pour les méthodes de congélation appropriées.

## Congélation des aliments (Tout congélateur)

Ne vous attendez pas de votre congélateur que votre congélateur congèle rapidement une grande quantité d'aliments. Veillez à ce que la quantité d'aliments ne prenne pas plus de 24 heures à congeler (au plus 907 à 1 350 g par litre [2 à 3 lb d'aliments par pied cube]) Laissez assez d'espace pour permettre la circulation d'air entre les emballages. Assurez-vous aussi de laisser assez d'espace à l'avant pour que la porte ferme hermétiquement.

Un congélateur plein reste froid plus longtemps qu'un congélateur à moitié plein et un congélateur rempli de viandes reste froid plus longtemps qu'un congélateur rempli de pâtisseries. Si vous constatez que les aliments contiennent des cristaux de glace, vous pouvez les recongeler, même si la qualité et saveur risquent d'être affectées. Si les aliments semblent de piètre qualité, ou si vous vous sentez qu'ils sont dangereux, jetez-les.

La durée d'entreposage varie en fonction de la qualité et du type d'aliments, du type d'emballage ou d'enveloppe utilisé (il doit être étanche à l'air et résistant à l'humidité) et de la température d'entreposage, qui doit être de 0° à 2° F (-18° à -17° C)

# Nettoyage et entretien

## ⚠ MISE EN GARDE

Pour éviter les blessures ou les dommages matériels, lire et suivre les indications de nettoyage du fabricant.

Votre appareil est conçu pour vous offrir de nombreuses années de service fiable. Cependant, il y a quelques petites choses que vous pouvez faire pour aider à prolonger sa durée de vie. Cette section vous explique comment nettoyer votre appareil et ce qu'il faut faire lorsque vous partez en vacances ou déménagez ou pendant une panne de courant.

## ⚠ AVERTISSEMENT

Pour éviter toute décharge électrique pouvant causer des blessures graves ou la mort, tournez le sectionneur de tension sur OFF (arrêt) avant de procéder au nettoyage. Après le nettoyage, retournez le sectionneur de tension sur la position ON (marche).

### Surfaces intérieures

Lavez les surfaces intérieures avec 4 cuillères à soupe de bicarbonate de soude dissous dans 1 litre d'eau tiède. Utilisez un chiffon doux et propre. Rincez ces surfaces à l'eau tiède et séchez avec un chiffon doux et propre.

#### N'utilisez pas ce qui suit pour nettoyer les surfaces intérieures :

- Nettoyants abrasifs ou rugueux, tels que l'ammoniac ou l'eau de Javel
- Détergents ou solvants concentrés
- Tampons à récurer métalliques

Ces produits peuvent égratigner, fissurer et décolorer les surfaces de votre appareil.

Aussi, ne lavez jamais le panier à glaçons ou les tablettes dans le lave-vaisselle. Ils doivent être nettoyés à la main.

### Graphique de nettoyage

Pièce	Quoi utiliser	Comment nettoyer
<b>Pièces amovibles</b> (tablettes, tiroirs)	Éponge ou chiffon avec détergent doux et eau tiède	Lavez à la main, rincez et séchez rigoureusement.
<b>Panneaux de porte avant</b> <ul style="list-style-type: none"><li>• En inox</li></ul>	Nettoyant pour inox <b>N'utilisez pas de produits de nettoyage contenant de l'eau de Javel</b>	Essuyez avec un chiffon doux.
<ul style="list-style-type: none"><li>• Peints</li></ul>	Éponge ou chiffon avec détergent doux et eau tiède	Lavez à la main, rincez et séchez rigoureusement.
<b>Parois intérieures</b> (permettez au congélateur de réchauffer, afin que le chiffon ne colle pas)	Éponge, chiffon doux ou essuie-tout avec bicarbonate de soude ou détergent doux et eau tiède	Lavez à la main, rincez et séchez rigoureusement.
<b>Doublures et garnitures de porte</b>	Éponge, chiffon doux ou essuie-tout avec détergent doux et eau tiède <b>N'utilisez pas de cires nettoyantes, de détergents concentrés ou de produits de nettoyage contenant de l'eau de Javel</b>	Lavez, essuyez et séchez rigoureusement.
<b>Pièces en plastique</b> (couvertures, panneaux)	Éponge douce et propre ou chiffon doux et propre avec détergent doux et eau tiède <b>N'utilisez pas d'essuie-tout, de vaporisateurs de fenêtre ou de tampons à récurer. Ils peuvent rayer et endommager le fini.</b>	Lavez, essuyez et séchez rigoureusement.
<b>Super Clog-Resistant™ Condensateur *</b>	Aspirateur avec pièce jointe étendue étroite	Nettoyez à vide les bobines lorsque poussiéreuses ou sales.

\* Dans des conditions normales, le condensateur ne nécessite aucun entretien.

# Nettoyage et entretien

## Clayettes en verre

Pour nettoyer les clayettes en verre de votre réfrigérateur, soulevez et faites sortir la clayette en soulevant l'avant et en relâchant les crochets depuis le rail métallique. Retirez ensuite la clayette. N'oubliez pas de laisser les clayettes en verre s'adapter à la température ambiante avant de les nettoyer.

Pour nettoyer les interstices, diluez un détergent doux avec de l'eau. Introduisez cette solution dans les interstices à l'aide d'une brosse à poils en plastique. Laissez durcir pendant cinq minutes. Pulvérisez de l'eau tiède dans les interstices à l'aide de la douchette-robinet. Séchez bien la clayette en verre et réinstallez la clayette en insérant les crochets dans le rail métallique et en abaissant l'avant.

## Joint de porte

Nettoyez les joints de porte tous les trois mois en utilisant les mêmes procédures employées pour les surfaces intérieures. Vous devez appliquer une mince couche de gelée de pétrole pour maintenir les joints souples.

### ⚠ MISE EN GARDE

Pour éviter des blessures et des dommages matériels, manipulez avec soin tablettes en verre trempé. Les clayettes peuvent se casser soudainement si elles sont ébréchées, éraflées ou exposées à des changements de température soudains.

### ⚠ AVERTISSEMENT

#### RISQUE DE BRÛLURE

Ne touchez pas les serpentins réfrigérants près du bac de dégivrage. Le non-respect de ces consignes peut entraîner des brûlures.



### ⚠ AVERTISSEMENT

#### RISQUE DE DÉCHARGE ÉLECTRIQUE

Débranchez l'alimentation ou tournez le sectionneur de tension sur OFF (arrêt) avant d'enlever la grille supérieure. Le non-respect de cette consigne peut entraîner la mort ou une décharge électrique.



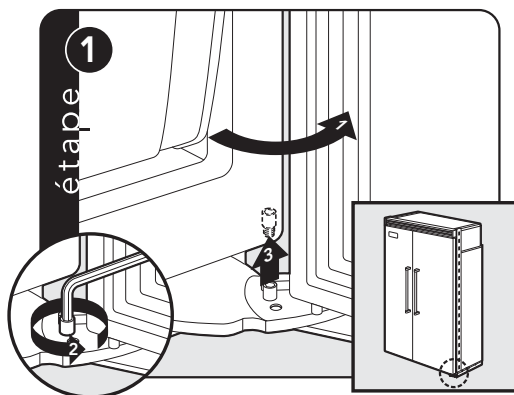
## Bac de dégivrage

Pour éviter le débordement de condensation, vérifiez périodiquement le bac de dégivrage.

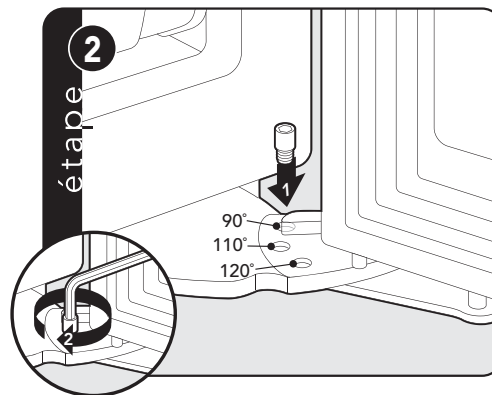
Pour cela, retirez les deux vis qui fixent le garde-pieds à l'appareil. Tirez le bac de dégivrage vers vous jusqu'à ce qu'il bute. Retirez l'excédent d'eau du bac. Nettoyez le bac de dégivrage avec une éponge. Ramenez le bac de dégivrage à sa position d'origine. Remettez le garde-pieds en le fixant à l'aide des deux vis.

## Réglage de la butée de porte

Votre appareil est réglé en usine à la position de butée de porte de 110°. Pour changer de position soit à 90° ou à 120°, retirez la goupille de la butée de porte en utilisant une clé Allen de 3/16 po (0,47 cm).



Ouvrez la porte de l'appareil afin que la butée de porte et la vis à épaulement soient accessibles.



Retirez la vis à épaulement et placez en position soit à 90° ou à 120°.

# Nettoyage et entretien

## Économie d'énergie

Vous pouvez aider votre appareil à utiliser moins d'électricité avec ces conseils simples :

- Ouvrez la porte aussi peu de fois que possible. Pensez à ce que vous avez besoin avant d'ouvrir la porte. Sortez tout en une fois. Gardez les aliments rangés de sorte que vous n'ayez pas à chercher ce que vous voulez. Fermez la porte dès que les aliments sont retirés.
- Ne surchargez pas l'appareil, de sorte que le mouvement de l'air soit bloqué.
- Ne réglez pas l'appareil à une température plus basse que nécessaire.

## Conseil de vacances

Lorsque vous quittez la maison pour une courte période de temps (moins de quatre semaines), il n'y a pas besoin de couper votre appareil. Toutefois, veillez à :

- Utiliser tous les aliments périssables.
- Congeler les autres.
- Relever le levier de signalisation dans la machine à glaçons automatique à la position d'arrêt (off) (en haut) et couper l'alimentation en eau de la machine à glaçons.

Si vous quittez la maison pendant un mois ou plus, suivez ces indications :

- Retirez tous les aliments et la glace.
- Tournez le sectionneur d'alimentation sur la position d'arrêt (off).
- Nettoyez l'appareil et les joints de porte conformément à la section « Nettoyage et entretien » à la page 14.
- Bloquez les portes en position ouverte avec des blocs de caoutchouc ou de bois afin que l'air puisse circuler à l'intérieur. Ceci empêchera l'accumulation des odeurs et de la moisissure.
- Relevez le levier de signalisation dans la machine à glaçons automatique à la position d'arrêt (off) (en haut) et coupez l'alimentation en eau de la machine à glaçons.

## Coupures de courant électrique

Si le service électrique de votre congélateur sera interrompu pendant 24 heures ou moins, gardez les portes fermées. Cela aide les aliments rester gelés.

Si le service sera interrompu pendant plus de 24 heures, retirez tous les aliments congelés et stockez-les dans un garde-manger frigorifique ou placez deux livres (1 kg) de glace sèche dans le congélateur pour chaque pied cube de volume intérieur. Cela permet de conserver les aliments congelés pendant deux à quatre jours. N'oubliez pas de porter des gants pour protéger vos mains contre les brûlures de la glace sèche. Si ni un garde-manger frigorifique ni la glace sèche n'est disponible, vous devez utiliser ou mettre en conserve vos aliments périssables tout de suite.

# Dépannage

## Comprendre les sons que vous pouvez entendre

Votre nouvel appareil peut émettre des sons différents de l'ancien. Les surfaces dures, telles que les plafonds, les murs et les bâtis autour de l'appareil peuvent faire ces bruits sembler plus forts. Cependant, ces sons sont normaux et vont bientôt devenir familiers; ils indiquent que votre appareil fonctionne correctement.

Voici quelques-uns des bruits que vous pouvez entendre et ce qu'ils sont :

- Ventilateur de rafraîchissement des aliments du congélateur ou du réfrigérateur : ressemble à l'air qui se précipite ou tourbillonne
- Débit de réfrigérant (évaporateur et échangeur de chaleur) du système scellé : ressemble au gargouillis, aux jaillissements ou à l'eau bouillante
- Réchauffeur de dégivrage : grésillements, sifflements ou jaillissements
- Ventilateur de condensateur : air qui se précipite et tourbillonne
- Compresseur : a un bourdonnement aigu ou des pulsations sonores
- Raccordement de la vanne de la machine à glaçons : bourdonne lorsque la machine à glaçons se remplit d'eau. Cela se produit si l'appareil est ou n'est pas raccordé à l'alimentation en eau. Si l'appareil n'est pas connecté à l'alimentation en eau, arrêtez le son en soulevant le levier de la machine à glaçons dans la position d'arrêt (off) (tout congélateur).

**La plupart des problèmes de performance que vous pourriez rencontrer avec votre appareil seront mineurs et vous devriez être capable de les corriger vous-même sans outils.**

Dans ces tableaux se trouvent les problèmes les plus courants que les consommateurs rencontrent avec leurs appareils. Lisez ceci et voyez s'ils peuvent résoudre votre problème avant d'appeler le service d'assistance.

### Problèmes de réfrigérateur courants

PROBLÈME	CAUSE POSSIBLE ET/OU SOLUTION
L'appareil ne fonctionne pas	Le cordon d'alimentation est-il branché sur un circuit alimenté et à la tension adéquate? Fusible grillé ou disjoncteur déclenché? L'interrupteur de marche/arrêt est-il sur la position Arrêt?
L'appareil émet des bruits bizarres	Pour une description des bruits normaux et de leur origine, consultez « Interprétation des bruits éventuels ».
Eau dans le bac de dégivrage	Ceci est normal par temps chaud et humide. Assurez-vous que le bac est horizontal pour qu'il ne déborde pas.
La machine à glaçons ne marche pas	Le congélateur est-il assez froid pour fabriquer des glaçons? Parfois, le congélateur met une nuit avant d'atteindre la température correcte. Le bras est-il en position abaissée (marche)? Le robinet d'arrivée d'eau est-il ouvert? L'eau arrive-t-elle au robinet? Assurez-vous que la conduite d'eau ne présente pas de fuites.
L'éclairage ne marche pas	Fusible grillé ou disjoncteur activé? Ampoule grillée? Pour les modèles avec éclairage LED, communiquez avec un organisme agréé
Le moteur semble tourner trop longtemps	Le moteur tourne naturellement plus longtemps les jours de forte chaleur, si la pièce est trop chaude, si une grande quantité d'aliments a été ajoutée ou si les portes sont souvent ouvertes.
La température affichée ne correspond pas au point de consigne	L'appareil vient d'être branché, des aliments chauds viennent d'y être placés ou la porte a été ouverte pendant un certain temps ou souvent. Laissez l'appareil se stabiliser pendant 24 heures.

# Informations sur l'entretien

Si un entretien est nécessaire, contactez votre l'agence d'entretien autorisée.

Préparez les informations suivantes de manière à ce qu'elles soient facilement disponibles :

- Numéro de modèle
- Numéro de série
- Date d'achat
- Nom du distributeur qui vous a vendu le produit

Décrivez clairement votre problème. Si vous n'arrivez pas à obtenir le nom d'un centre de réparation agréé, ou si les problèmes d'entretien persistent, contactez 1-888-(845-4641), ou écrivez à :

**SERVICE PRIVILÉGIÉ**  
**111 Front Street**  
**Greenwood, Mississippi 38930 É.-U.**

Veillez conserver les informations ci-dessous. Elles vous seront nécessaires en cas d'opération d'entretien. Le numéro de série et les numéros de modèle de votre réfrigérateur se trouvent au-dessus des tiroirs :

N° du modèle \_\_\_\_\_

N° de série \_\_\_\_\_

Date d'achat \_\_\_\_\_

Date d'installation \_\_\_\_\_

Nom du distributeur \_\_\_\_\_

Adresse \_\_\_\_\_

\_\_\_\_\_

Si l'entretien nécessite l'installation de pièces, utilisez uniquement des pièces autorisées pour être couvert par la garantie.

**Conservez ce manuel pour référence ultérieure.**

# Garantie

## GARANTIE RÉFRIGÉRATEURS/CONGÉLATEURS CÔTE À CÔTE GARANTIE COMPLÈTE DE DEUX ANS

Réfrigérateur/congélateurs côte à côte et toutes leurs pièces composantes, à l'exception de ce qui est détaillé ci-dessous \*\*†, sont garantis contre tout défaut de matériaux ou de fabrication en utilisation résidentielle normale pendant une période de deux (2) ans à partir de la date d'achat initiale ou la date de clôture pour une construction neuve, la période la plus longue étant à retenir. Le garant, AGA Marvel, réparera ou remplacera, à sa discrétion, toute pièce en panne ou défectueuse pendant la période de garantie.

**\*GARANTIE ESTHÉTIQUE COMPLÈTE DE QUATRE-VINGT-DIX (90) JOURS :** Le produit est garanti contre tout défaut esthétique de matériaux ou de fabrication (tel que des rayures sur l'acier inoxydable, des taches sur la peinture/porcelaine, etc.) pour une période de quatre-vingt-dix (90) jours à partir de la date d'achat d'origine ou la date de clôture pour une construction neuve, la période la plus longue étant à retenir. Tout défaut doit être signalé au revendeur dans les quatre-vingt-dix (90) jours suivant la date d'achat d'origine. AGA Marvel utilise des processus et des matériaux de haute qualité pour réaliser les finitions de couleur. Cependant, une légère variation de couleur peut être remarquée à cause des différences inhérentes aux pièces peintes et en porcelaine ainsi que des différences liées à l'éclairage de la cuisine, à l'emplacement du produit et à d'autres facteurs. Par conséquent, cette garantie ne s'applique pas aux variations de couleur liées à ces facteurs.

**†GARANTIE COMPLÈTE DE QUATRE-VINGT-DIX (90) JOURS EN APPLICATIONS « RÉSIDENTIELLES PLUS » :** Cette garantie complète couvre les applications où l'utilisation du produit dépasse l'utilisation résidentielle normale, mais la période de garantie pour les produits utilisés dans de telles applications est de quatre-vingt-dix (90) jours. Les exemples d'applications couvertes par cette garantie sont les gîtes touristiques, la caserne des pompiers, les clubs privés, les églises, les yachts, etc. Avec la garantie « résidentielle plus », le produit, ses pièces et ses accessoires sont garantis contre tout défaut de matériaux ou de fabrication pour une période de quatre-vingt-dix (90) jours à partir de la date d'achat d'origine. Cette garantie exclut l'utilisation du produit dans tous les lieux commerciaux tels que les restaurants, les lieux de restauration et les lieux de restauration collective.

### GARANTIE COMPLÈTE DE SIX ANS SUR LES PIÈCES DE RÉFRIGÉRATION SCÉLÉES TEL QU'INDIQUÉ

Tout composant de système scellé, comme indiqué ci-dessous, est garanti être exempt de matériaux défectueux ou de fabrication pour un usage résidentiel normal au cours de la troisième à la sixième année à compter de la date d'achat initiale du produit. Le garant, AGA Marvel, réparera ou remplacera, à sa discrétion, toute pièce en panne ou défectueuse pendant la période de garantie.

**Composants de système de réfrigération scellé :** Compresseur, évaporateur, condenseur, tubulure de raccordement, sécheur/crêpine

### GARANTIE LIMITÉE DE DOUZE ANS SUR LES PIÈCES DE RÉFRIGÉRATION SCÉLÉES TEL QU'INDIQUÉ

Tout composant de système de réfrigération scellé, comme indiqué ci-dessus, qui connaît une défaillance en raison de matériaux défectueux ou de vices de fabrication lors d'une utilisation résidentielle normale durant la septième année jusqu'à la douzième année à compter de la date d'achat d'origine sera réparé ou remplacé, gratuitement pour ce qui est de la pièce elle-même, le propriétaire prenant en charge tous les autres coûts, notamment la main-d'œuvre.

### CONDITIONS GÉNÉRALES

Cette garantie s'applique à l'acheteur d'origine du produit garanti selon les modalités définies et à chaque acquéreur du produit pendant la période de garantie et elle s'applique aux produits achetés et se trouvant aux États-Unis, au Canada, le Mexique et les Caraïbes (à l'exclusion de Cuba, la République dominicaine et Haïti). Les produits doivent avoir été achetés dans le pays où vous demandez un entretien. Si le produit ou l'une de ses pièces contient un défaut ou fonctionne mal pendant la période de garantie complète après que le garant a tenté un nombre raisonnable de fois de remédier au défaut ou au mauvais fonctionnement, le propriétaire obtiendra un remboursement ou le remplacement du produit ou de la (des) pièce(s). Le remplacement d'une pièce comprend son installation gratuite, à l'exception de ce qui est spécifié dans la garantie limitée. Selon cette garantie, l'entretien doit être effectué par un agent d'entretien ou un représentant agréé par AGA Marvel. L'entretien sera réalisé pendant les heures normales de travail et le travail effectué en heures supplémentaires ou en tarif majoré ne sera pas couvert par cette garantie.

Le propriétaire est responsable de l'installation correcte, doit s'assurer qu'un entretien nécessaire et raisonnable est réalisé, doit fournir une preuve d'achat sur demande et rendre l'appareil raisonnablement accessible pour l'entretien. Le renvoi de la carte d'enregistrement de propriétaire n'est pas une condition de garantie. Vous devrez toutefois renvoyer la carte d'enregistrement du propriétaire pour permettre à la AGA Marvel de prendre contact avec vous au sujet de problèmes de sécurité éventuels pouvant vous concerner. Cette garantie vous donne des droits légaux spécifiques et vous pouvez également avoir d'autres droits, qui varient d'une juridiction à l'autre.

**EXCLUSION DE GARANTIE :** Cette garantie ne s'applique pas aux dommages qui résultent d'abus, d'absence d'entretien nécessaire et raisonnable, d'accident, de livraison, de négligence, de catastrophe naturelle, de perte d'alimentation électrique sur le produit pour quelque raison que ce soit, de modifications, d'une utilisation extérieure, d'une installation incorrecte, d'un fonctionnement incorrect ou de réparations ou d'entretien du produit réalisés par toute autre personne qu'un agent d'entretien ou un représentant autorisé par AGA Marvel. Cette garantie ne s'applique pas à un usage commercial.

### LIMITATION DES RECOURS ET DURÉE DE LA GARANTIE IMPLICITE

**LE RECOURS UNIQUE ET EXCLUSIF DU PROPRIÉTAIRE POUR UNE RÉCLAMATION DE QUELQUE NATURE QUE CE SOIT QUANT À CE PRODUIT DOIT ÊTRE LE RECOURS ÉNONCÉS CI-DESSUS. AGA Marvel N'EST PAS RESPONSABLE POUR LES DOMMAGES CONSÉCUTIFS OU DOMMAGES, Y COMPRIS, MAIS NON LIMITÉ À LA PERTE DE NOURRITURE OU DE MÉDICAMENTS, EN RAISON DE PANNE DU PRODUIT, QUE CE SOIT DÉCOULANT DE LA VIOLATION DE LA GARANTIE, UNE RUPTURE DE CONTRAT OU AUTREMENT.** Certaines juridictions n'autorisent pas l'exclusion ou la limitation de dommages indirects ou consécutifs, dans ce cas, cette disposition ne s'appliquerait pas. **TOUTE GARANTIE IMPLICITE DE QUALITÉ MARCHANDE OU D'ADAPTATION À UN USAGE PARTICULIER APPLICABLE À CE PRODUIT À UNE DURÉE LIMITÉE À LA PÉRIODE COUVERTE PAR LES GARANTIES LIMITÉES ÉCRITES EXPLICITES APPLICABLES DÉFINIES CI-DESSUS.** Certains états n'autorisent pas les limitations de durée de garantie implicite, dans ce cas, cette disposition ne s'appliquerait pas.

### ENTRETIEN SOUS GARANTIE

Pour obtenir un entretien sous garantie, contactez un agent d'entretien autorisé, ou Service Privilégié, 111 Front Street, Greenwood, Mississippi 38930, (888) 845-4641. Donnez les numéros de modèle et de série et la date d'achat d'origine ou la date de clôture pour une construction neuve. Pour obtenir le nom de l'agence d'entretien autorisée, appelez Service Privilégié -888-845-464.

**IMPORTANT :** Conservez la preuve d'achat d'origine pour établir la période de garantie.

Les spécifications sont sujettes à modification sans préavis.

AGA Marvel  
1260 E. VanDeinse St.  
Greenville MI 48838

Pour des informations de produit,  
appeler au 1-800-(223-3900),  
ou visiter notre site Web à  
[www.agamarvel.com](http://www.agamarvel.com)



# **AGA MARVEL**

---

de Uso  
y  
Cuidado

Refrigeradores/Congelador  
Lado a lado  
Empotrado

**MP42SS2**

**MP48SS2**



# Felicitaciones

Esperamos que disfrute y aprecie el cuidado y la atención que hemos puesto en cada detalle de su nuevo e innovador Marvel Professional refrigerador.

Su electrodoméstico está diseñado para ofrecerle años de servicio confiable. Este manual de uso y cuidado contiene la información que necesita para familiarizarse con el cuidado y la operación de su refrigerador.

Nuestra meta principal es su completa satisfacción. Si tiene preguntas o comentarios sobre este producto, comuníquese con la distribuidora donde lo compró, o comuníquese con el Centro de Apoyo al Consumidor llamando al 1-888-845-4641.

Agradecemos que haya y esperamos que vuelva a seleccionar nuestros productos cuando necesite otro electrodoméstico para su hogar.

Si desea más información sobre la variedad completa y creciente de productos, visítenos en línea en [vikingrange.com](http://vikingrange.com).

**Su seguridad es importante para nosotros.** Este manual de uso y cuidado contiene símbolos y avisos de seguridad. Por favor ponga especial atención a estos símbolos y siga las instrucciones que se le dan.



Este símbolo lo alerta de riesgos tales como incendio, descargas eléctricas u otras lesiones.

# Advertencias

## ⚠ ADVERTENCIA

**Ponga atención a las siguientes precauciones básicas para reducir el riesgo de incendio, descargas eléctricas o lesiones cuando use su unidad:**

- Lea todas las instrucciones antes de usar la unidad.
- Nunca permita que los niños operen, jueguen o se introduzcan en la unidad.
- Nunca limpie los componentes de la unidad con líquidos inflamables. Los vapores que se generan pueden crear un riesgo de incendio o explosión.
- Antes de intentar cambiar las bombillas, limpiar o dar servicio a la unidad, siempre coloque el interruptor ON/OFF (Encendido/Apagado) que se encuentra detrás de la rejilla de ventilación en el lado superior derecho en la posición OFF.

### **POR SU SEGURIDAD**

**NO ALMACENE NI USE GASOLINA U OTROS LÍQUIDOS INFLAMABLES CERCA DE LA UNIDAD O DE CUALQUIER OTRO ELECTRODOMÉSTICO. LOS VAPORES QUE SE GENERAN PUEDEN CREAR UN RIESGO DE INCENDIO O EXPLOSIÓN.**

## ⚠ ADVERTENCIA

### **RIESGO DE DESCARGAS ELÉCTRICAS**



Conecte la unidad en un tomacorriente con conexión a tierra para enchufe de tres patas. Si el tomacorriente disponible es para un enchufe de dos patas, comuníquese con un electricista calificado. No quite la pata de conexión a tierra.

La unidad debe tener conexión a tierra todo el tiempo.  
No use un adaptador.  
No use extensiones.  
El incumplimiento de estas instrucciones puede ocasionar la muerte, incendios o descargas eléctricas.

## ⚠ ADVERTENCIA

Para evitar enfermedades graves o la muerte, no use la unidad donde el agua es insegura o de calidad desconocida sin desinfectarla adecuadamente antes o después de usar el filtro.

## ⚠ ADVERTENCIA

Antes de limpiar la unidad coloque el interruptor de Encendido/Apagado en la posición OFF (APAGADO) para evitar descargas eléctricas que le pueden causar lesiones personales graves o la muerte. Después de limpiar, regrese el interruptor a la posición ON (ENCENDIDO).

## ⚠ ADVERTENCIA



### **RIESGO DE DESCARGAS ELÉCTRICAS**

Desconecte el suministro eléctrico o coloque el interruptor de energía en la posición de apagado (OFF) antes de remover la rejilla superior. Si no interrumpe la energía se puede ocasionar la muerte o sufrir lesiones por una descarga eléctrica.

## ⚠ ADVERTENCIA



### **RIESGO DE QUEMADURAS**

**No toque el serpentín del condensador que se encuentra cerca de la bandeja de descongelación. Si lo hace puede sufrir quemaduras.**

## ⚠ PELIGRO

### **RIESGO DE QUE LOS NIÑOS QUEDEN ATRAPADOS**

**Antes de deshacerse de su refrigerador o congelador viejo:**

- Quite las puertas.
- Deje los estantes para que los niños no puedan entrar fácilmente.

**IMPORTANTE:** Aún ahora existe el riesgo de que los niños queden atrapados y que se asfixien. Los refrigeradores desechados o abandonados aún son peligrosos, aunque se dejen "por unos pocos días".

# Contenido

## Procedimientos iniciales

Instrucciones de seguridad importantes	4
Disposición adecuada (del refrigerador viejo)	5
Características	6

## Controles del producto

Ajustes y funciones	8
---------------------	---

## Uso

Refrigerador (todas las unidades)	10
Equipo automático para hacer hielo	12
Guía de almacenamiento de alimentos	13

## Cuidado del producto

Limpieza y mantenimiento	14
Resolución de problemas	17
Información sobre el servicio	18
Garantía	19

# Instrucciones de seguridad importantes

- Instale y nivele su refrigerador sobre un piso que soporte su peso más el peso de los alimentos (aproximadamente 1.200 libras [540 kg]) y en un área adecuada para su tamaño y uso.
- No instale la unidad de refrigeración cerca de alguna fuente de calor ni en un área donde la temperatura circundante pueda llegar a ser menos de 60 °F (16 °C).
- No exponga su refrigerador a la intemperie ni a los elementos del exterior.
- Conecte su refrigerador solamente en la clase de tomacorriente adecuado, con suministro de energía correcto y conexión a tierra. (Consulte la sección de requisitos eléctricos en las instrucciones para la instalación).
- Use el refrigerador sólo para los usos descritos en este manual.
- Proporcione un mantenimiento apropiado al refrigerador.
- Asegúrese de que el refrigerador no lo use nadie que no sea capaz de operarlo adecuadamente.

# Disposición adecuada

(del refrigerador viejo)

## IMPORTANTE:

Ahora que tiene un refrigerador nuevo, es extremadamente importante que deseche su electrodoméstico viejo de una manera que minimice la posibilidad de que los niños lo encuentren. En años pasados ha habido muchos casos en que los niños se meten en refrigeradores viejos y abandonados y quedan atrapados o se asfixian.

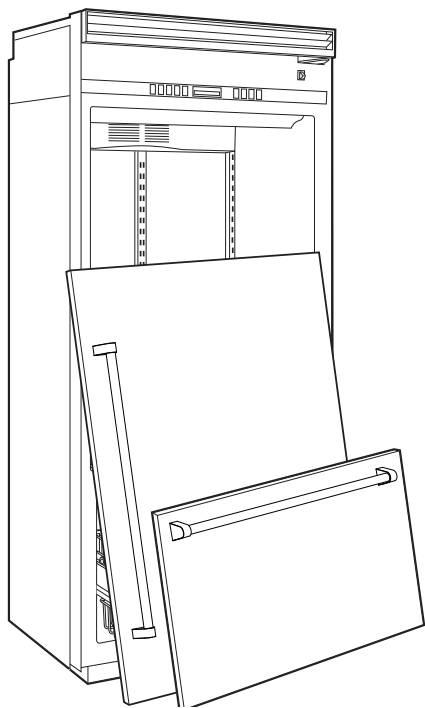
Comuníquese con las autoridades municipales de eliminación de residuos para desechar su refrigerador viejo.

## ! PELIGRO

### RIESGO DE QUE LOS NIÑOS QUEDEN ATRAPADOS

**Antes de deshacerse de su refrigerador o congelador viejo:**

- Quite las puertas.
- Deje los estantes para que los niños no puedan entrar fácilmente.



# Características generales

- **Sistema de administración de temperatura ProChill™**

El compresor de CC y velocidad variable Overdrive™ es uno de los sistemas más silenciosos y tecnológicamente más avanzado que existe. Los controles electrónicos con lectura digital de temperatura mantienen la temperatura y el sistema de flujo de aire de múltiples canales y el evaporador Odor Eliminator™ eliminan los olores y el exceso de humedad.

- **Ionizador de aire Plasmacluster™\***

El ionizador de aire Plasmacluster™ utiliza iones para eliminar bacterias suspendidas en el aire, esporas de moho y olores, y mejorar la conservación de los alimentos. Gracias a su exclusiva tecnología, Plasmacluster™ mantendrá el refrigerador libre de bacterias y moho, y nunca deberá reemplazarlo.

- **Cajones de zona de humedad ajustable Humidity Zone™**

Los cajones de zona de humedad ajustable Humidity Zone™ están equipados con un control de temperatura que se puede ajustar en la posición HIGH (ALTO) para vegetales de hojas verdes o bien, en la posición LOW (BAJO) para almacenar frutas y vegetales que tienen cáscara.

- **Iluminación LED**

Parte superior y la iluminación de LED para interiores de pared lateral proporciona iluminación brillante de contenidos de refrigerador

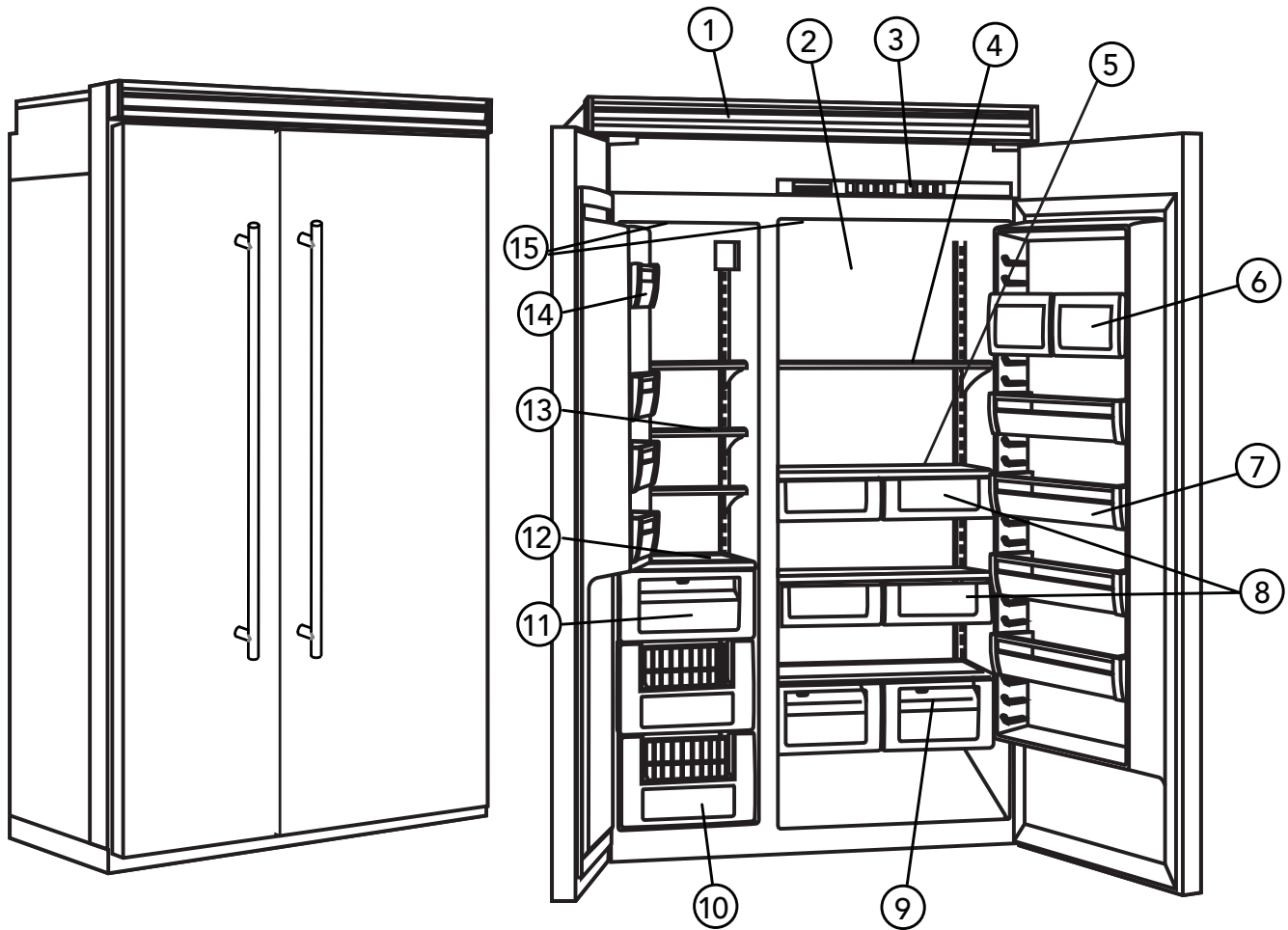
- **Condensador Super Clog-Resistant™**

El diseño de espigas y tubos del serpentín del condensador evita obstrucciones causadas por el polvo y otras partículas transportadas por el aire. En situaciones de uso normal, el condensador no requiere mantenimiento.

\*Plasmacluster es una marca comercial de Sharp Corporation.

# Características

(refrigerador de puertas verticales con congelador integrado, sin surtidor)



- |  |   |
|--|---|
| 1. Compresor de CC y velocidad variable Overdrive™ y condensador Super Clog-Resistant™ | 9. Cajones de zona de humedad ajustable Humidity Zone™    |
| 2. Ionizador de aire Plasmacluster™  | 10. Canastas deslizables del congelador (2)               |
| 3. Controles electrónicos con lectura digital de temperatura                           | 11. Cubeta para hielo (1)                                 |
| 4. Estantes prueba de derrames con Nano tecnología (2)                                 | 12. Estante del congelador no ajustable (1)               |
| 5. Estantes a prueba de derrames (2)   | 13. Estantes ajustables del congelador (3)                |
| 6. Compartimientos para lácteos (2)  | 14. Bandejas ajustables para la puerta del congelador (3) |
| 7. Bandejas ajustables de la puerta (4) (Patentado)                                    | 15. Iluminación LED                                       |
| 8. Cajones compartimento Deli (4)  |   |

# Ajustes y funciones

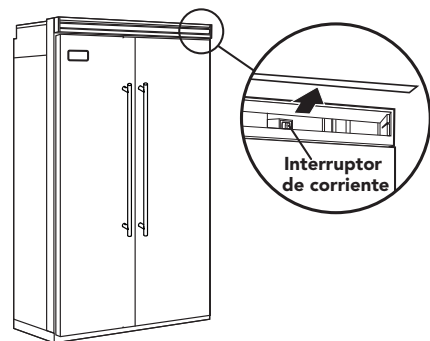
Para que su refrigerador nuevo funcione adecuadamente, es importante que entienda sus características, controles y uso.

## Interruptor On/Off (Encendido/Apagado) (Interruptor de energía)

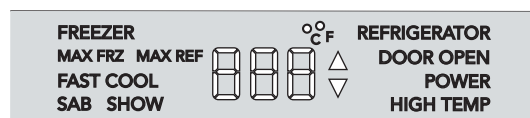
El interruptor On/Off se encuentra ubicado detrás de la rejilla superior del refrigerador. Se usa para interrumpir la energía durante la limpieza del refrigerador o cuando se cambian las bombillas de luz. Su refrigerador llega de la fábrica con el interruptor de energía en la posición de encendido.

Para apagar el refrigerador quite la hoja central de la rejilla. Coloque en interruptor On/Off en la posición Off.

Para encender el refrigerador, presione el interruptor On/Off en la posición On. Vuelva a colocar la hoja de la parrilla central.



**IMPORTANTE:** Asegúrese de que el interruptor On/Off se encuentre en la posición On después de limpiar o cambiar las bombillas de luz.



## Inicio de la modalidad Showroom

El modelo Showroom permite que los controles electrónicos y las luces interiores funcionen de manera independiente del sistema de refrigeración.

Para entrar en la modalidad Showroom: Presione y mantenga presionado el botón "ACTIVATE CONTROLS" (Activar controles) y, mientras hace esto, presione y mantenga presionados al mismo tiempo los botones "HIGHER" (Temperatura superior) y "ALARM OFF" (Alarma apagada) durante 3 segundos. Se oirán tres sonidos y se iluminará SHOW. Ha entrado en la modalidad Showroom.

Para salir de la modalidad Showroom: Presione y mantenga presionado el botón "ACTIVATE CONTROLS" (Activar controles) y, mientras hace esto, presione y mantenga presionados al mismo tiempo los botones "HIGHER" (Temperatura superior) y "ALARM OFF" (Alarma apagada). Se oirán tres sonidos y el control retornará a la operación y a la pantalla normales.

## Ajustes electrónicos de temperatura

Los controles electrónicos de su refrigerador se encuentran detrás de la puerta en la parte superior del interior del gabinete. Para activar el panel del control electrónico, presione el botón "ACTIVATE CONTROLS". Todos los demás botones permanecerán inactivos, excepto el botón "ALARM OFF", hasta que se presione el botón "ACTIVATE CONTROLS". Una vez activados, los botones permanecerán programables durante un máximo de diez minutos.

Cuando conecte por primera vez su nuevo refrigerador, encontrará que el valor predeterminado de fábrica es de 38 °F (3 °C) para el refrigerador y 0 °F (-17 °C) para el congelador. Espere 24 horas después de enchufar el refrigerador para que todos los compartimentos alcancen este ajuste. Después de 24 horas puede ajustar los controles de la manera deseada.

Para cambiar de °F a °C, presione y mantenga presionado el botón "ACTIVATE CONTROLS" y luego, presione y mantenga presionado el botón "ALARM OFF" durante 3 segundos. Siga los mismos pasos para regresar a la configuración anterior.

Para ajustar la temperatura del refrigerador o del congelador, simplemente presione el botón "ACTIVATE CONTROLS" y luego, el botón "REF TEMP" o el botón "FRZ TEMP". Presione el botón "HIGHER" o el botón "LOWER" para ajustar la temperatura en un grado a la vez.

**NOTA:** Deje pasar 24 horas para que la temperatura alcance la configuración deseada luego de efectuar cualquier cambio en los ajustes de temperatura.

## Tono de entrada

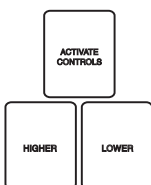
El tono de entrada es el sonido que oír cuando presione el botón de control. Puede desactivar el tono de entrada presionando y manteniendo presionado el botón "ACTIVATE CONTROLS" durante tres a cinco segundos. Oír tres sonidos breves que le indicarán que la característica de tono de entrada se ha desactivado.

Para activar el tono de entrada, simplemente presione y mantenga presionado el botón "ACTIVATE CONTROLS" durante tres a cinco segundos.

## Fast Cool

La función Fast Cool (Enfriado rápido) hace funcionar el compresor a alta velocidad durante 2 horas para enfriar el refrigerador lo más rápido posible. Luego de las 2 horas, el refrigerador regresará al ajuste anterior.

Para activar la función de enfriado rápido, presione el botón "ACTIVATE CONTROLS" y luego, el botón "FAST COOL". Se encenderá el indicador FAST COOL.





# Ajustes y funciones

## Modalidad Max Refrigerator

La modalidad Max Refrigerator establece la temperatura del refrigerador en el ajuste más frío durante 4 horas, al cabo de las cuales la temperatura del refrigerador regresa automáticamente al ajuste anterior.

Para activar la modalidad Max Refrigerator, simplemente presione el botón "ACTIVATE CONTROLS" y luego, el botón "MAX REF". La luz indicadora "MAX REF" se iluminará para hacerle saber que ha activado la modalidad Max Refrigerator.

Para desactivar la modalidad Max Refrigerator antes de que termine el ciclo de 4 horas, presione el botón "ACTIVATE CONTROLS" y luego, el botón "MAX REF".

## Modalidad Max Freezer

La modalidad Max Freezer establece la temperatura del congelador en el ajuste más frío durante 6 horas, al cabo de las cuales la temperatura del congelador regresa automáticamente al ajuste anterior.

Para activar la modalidad Max Freezer, presione el botón "ACTIVATE CONTROLS" y luego, el botón "MAX FRZ". La luz indicadora "MAX FRZ" se iluminará para hacerle saber que ha activado la modalidad Max Freezer.

Para desactivar la modalidad Max Freezer antes de que termine el ciclo de 6 horas, simplemente presione el botón "ACTIVATE CONTROLS" y luego, el botón "MAX FRZ".

## Alarma de puerta abierta

La alarma de puerta abierta suena y la luz indicadora "DOOR OPEN" destella si se deja abierta cualquiera de las puertas durante más de tres minutos.

Para desactivar la alarma de puerta abierta, presione el botón "ALARM OFF" o cierre la puerta que está abierta.

## Alarma de temperatura alta

La alarma de temperatura alta suena y la luz indicadora "HIGH TEMP" se ilumina si la temperatura del refrigerador o del congelador es demasiado alta durante dos horas. Una luz destellante indica qué parte de la unidad está afectada. La alarma se apaga cuando la temperatura regresa a un ajuste adecuado.

Para desactivar la alarma de temperatura alta presione el botón "ALARM OFF".

## Alarma de pérdida de potencia

Aunque no suena ninguna alarma, el indicador "POWER" parpadea para advertir sobre una pérdida de potencia. Presione "ALARM OFF" para apagar el indicador.

## Alarma del sensor de temperatura

La alarma del sensor de temperatura es una característica especial que detecta electrónicamente problemas con el sensor de temperatura. La alarma del sensor de temperatura sonará y la pantalla mostrará "oPn" o "Shr". La alarma se puede desactivar presionando el botón "ALARM OFF" que se encuentra en el panel de control del refrigerador.

**Si la pantalla no muestra la temperatura nuevamente, comuníquese inmediatamente con un técnico autorizado.**

## Pantalla

Para activar la pantalla de temperatura, presione el botón "ACTIVATE CONTROLS".

Para desactivar la pantalla de temperatura, presione el botón "ACTIVATE CONTROLS" y luego, el botón "DISPLAY OFF".

## Modalidad Sabbath

La modalidad Sabbath se usa para desactivar las luces interiores y las alarmas en observación del sábado judío.

Antes de que se active la modalidad Sabbath, se necesita levantar el brazo del equipo para hacer hielo hasta que llegue al retén y se oiga un clic. Esto interrumpe la energía hacia el equipo para hacer hielo.

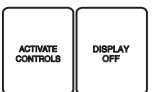
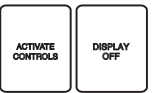
Para entrar en la modalidad Sabbath, presione el botón "ACTIVATE CONTROLS" para activar el panel de control. Luego presione y mantenga presionado el botón "ACTIVATE CONTROLS" y "DISPLAY OFF" simultáneamente durante tres segundos. Se oirá un sonido tres veces y se encenderá el indicador SAB para que usted sepa que se ha activado la modalidad Sabbath.

Cuando su refrigerador se encuentra en la modalidad Sabbath, se desactivan las alarmas, las luces interiores y la pantalla (excepto el indicador SAB, el indicador de temperatura y el indicador para los compartimientos).

Si se interrumpe la energía mientras está activada la modalidad Sabbath, el refrigerador retornará al modo Sabbath cuando se restablezca la energía.

Para salir de la modalidad Sabbath, presione el botón "ACTIVATE CONTROLS". Luego presione y mantenga presionado el botón "ACTIVATE CONTROLS" y "DISPLAY OFF" simultáneamente durante tres segundos. Oirá tres sonidos que le indicarán que ha desactivado la modalidad Sabbath.

Una vez que su refrigerador haya salido de la modalidad Sabbath, el brazo del equipo para hacer hielo necesita empujarse hacia abajo hasta que ya no se encuentre en el retén. Esto restablecerá la energía al equipo para hacer hielo.



# Refrigerador (todas las unidades)

## Nano derrame prueba más estantes (algunos modelos)

Algunos modelos de refrigerador incluyen estantes prueba de derrame. Estos estantes contienen líquidos sin bordes levantados para proporcionar capacidad de estante extra.

### Estantes a prueba de derrames

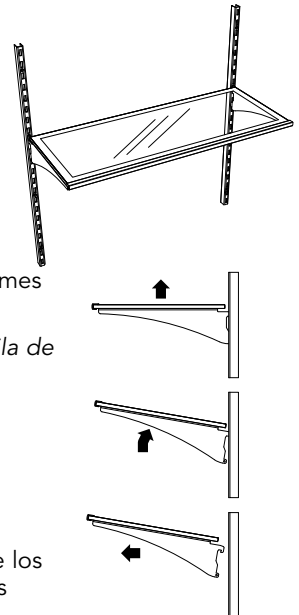
Los estantes a prueba de derrames de su refrigerador están contruidos de polipropileno moldeado alrededor del vidrio y del riel de metal. Este diseño significa que los estantes se encuentran completamente rodeados y que los líquidos no se pueden escurrir debajo del vidrio. Esto permite contener los derrames y facilita la limpieza. Los estantes a prueba de derrames también pueden ajustarse para satisfacer las necesidades de almacenamiento individuales.

**NOTA:** Los alimentos y las bebidas que se colocan en el estante superior debajo de la ventila de aire se pueden congelar.

### Ajuste de los estantes

Puede ajustar los estantes según su conveniencia. Para quitar los estantes, levante el borde frontal del estante liberando los ganchos del soporte del estante y luego jale el estante directamente hacia usted.

Para volver a colocar los estantes, guíe los ganchos posteriores del estante en las ranuras de los soportes del estante. Luego incline el estante hacia arriba en el frente hasta que los ganchos caigan en las ranuras, y baje el frente del estante hasta que quede nivelado.



## ⚠ PRECAUCIÓN

Para evitar lesiones personales y daños materiales, verifique que el estante está bien firme antes de colocar objetos en él.

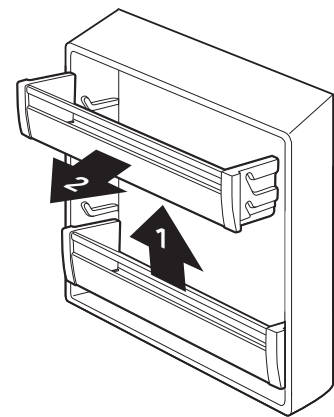
## ⚠ PRECAUCIÓN

Para evitar lesiones personales o daños materiales, maneje cuidadosamente los estantes de vidrio. Los estantes se pueden romper repentinamente si tienen mellas, raspaduras o se exponen a un cambio de temperatura repentino.

### Ajuste de las bandejas de la puerta

Las bandejas de la puerta del refrigerador aceptan botellas de dos litros y se pueden colocar en la puerta en cualquier posición. Para quitar una bandeja, simplemente sujétela, levántela y jálela hacia usted.

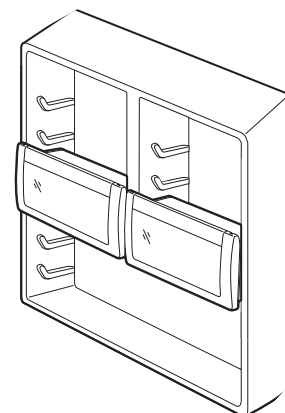
Para colocar la bandeja, instálela sobre las correderas de la puerta del refrigerador y presiónela hacia abajo para fijarla en su lugar.



### Compartimientos para lácteos

Las puertas de los compartimientos para lácteos de su refrigerador están rodeadas por juntas para permitir un sello más hermético. Esto permite que los alimentos permanezcan frescos durante más tiempo. Los compartimientos de lácteos se pueden ajustar para satisfacer sus necesidades de almacenamiento.

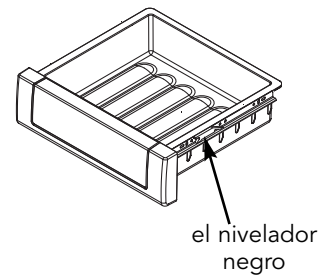
Para sacar los compartimientos para lácteos, simplemente sujételos, levántelos y sáquelos. Para volver a ponerlos, colóquelos sobre las correderas de la puerta del refrigerador y presiónelos hacia abajo para fijarlos en su lugar.



# Refrigerador (todas las unidades)

## Cajones compartimento Deli

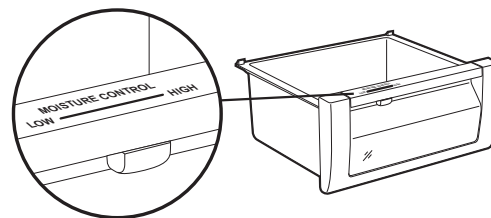
Para sacar el cajón deslícelo sacándolo de su tope. Luego, a cada lado del cajón, localice el nivelador negro en las correderas y levántelo hasta que el cajón se separe de las correderas. Jale el cajón y sáquelo completamente. Para volver a colocar el cajón, extienda las correderas hacia afuera hasta el tope. A continuación coloque el cajón en las correderas y empújelo hacia atrás hasta que el cajón embrague en el gancho. Baje la parte frontal del cajón, sujete las correderas y el cajón y apriételes ligeramente hasta que el cajón se conecte en las correderas. Luego deslice el cajón hacia atrás hasta que se detenga.



## Cajones de zona de humedad ajustable Humidity Zone™

El control de humedad del cajón o cajones para vegetales de su refrigerador le permite cambiar la cantidad de humedad en el cajón, y la superficie transparente le permite ver dentro del cajón sin necesidad de abrirlo.

El control de humedad se encuentra debajo de la moldura frontal. Deslice el control a un ajuste mayor para almacenar carnes frías o vegetales con hojas como lechuga, espinaca o col. Deslice el control a un ajuste menor para almacenar frutas y vegetales con cáscara, como manzanas, maíz o tomates. Consulte la sección "Guía de almacenamiento de alimentos" (página 13) en donde encontrará más información sobre el almacenamiento adecuado de los alimentos.



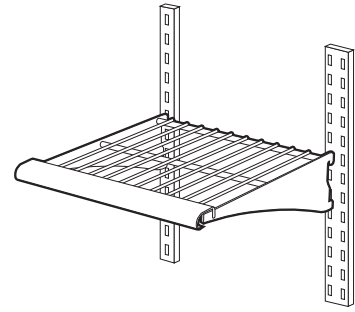
Para sacar el cajón deslícelo sacándolo de su tope. Luego, a cada lado del cajón, localice el nivelador negro en las correderas y levántelo hasta que el cajón se separe de las correderas. Jale el cajón y sáquelo completamente. Para volver a colocar el cajón, extienda las correderas hacia afuera hasta el tope. A continuación coloque el cajón en las correderas y empújelo hacia atrás hasta que el cajón embrague en el gancho. Baje la parte frontal del cajón, sujete las correderas y el cajón y apriételes ligeramente hasta que el cajón se conecte en las correderas. Luego deslice el cajón hacia atrás hasta que se detenga.

# Congelador

(todas las unidades excepto las montadas en la parte de abajo)

## Ajuste del estante de alambre

Los estantes del congelador se pueden ajustar fácilmente. Para quitar un estante, simplemente levante su parte frontal para liberar los ganchos del soporte del estante. Luego jale el estante para sacarlo. Para volver a colocar el estante, guíe los ganchos posteriores del estante en las ranuras de los soportes del estante. Luego incline el estante hacia arriba en la parte del frente hasta que los ganchos caigan en las ranuras. A continuación, baje la parte del frente del estante hasta que quede nivelado.



# Equipo automático para hacer hielo

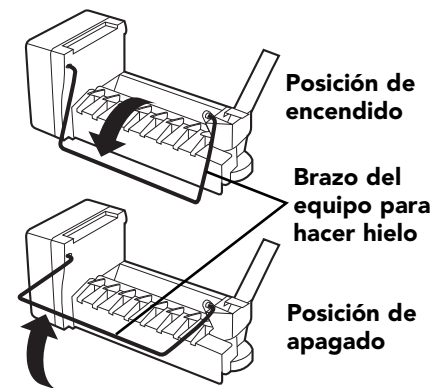
(todas las unidades excepto los refrigeradores)

El equipo para hacer hielo y el cajón deslizable de hielo de su refrigerador no se pueden ajustar, pero el cajón de hielo se desliza hacia adelante para tener acceso fácil al hielo.

Cuando el refrigerador alcanza la temperatura normal, el equipo para hacer hielo se llena con agua y comienza a funcionar. Bajo condiciones normales el equipo para hacer hielo produce entre siete y nueve raciones de hielo cada 24 horas.

**NOTA:** Permita que transcurran de 24 a 48 horas después de la instalación antes de buscar hielo en el cajón. Debe desechar los primeros tres cajones llenos de hielo que produzca su refrigerador, y también debe tirar el primer cajón lleno de hielo que su refrigerador produzca después de no usarlo por un periodo prolongado de tiempo.

Durante la producción de hielo, el brazo sube y baja. Cuando el depósito de hielo está lleno, el brazo apaga automáticamente el equipo. Para detener manualmente la producción de hielo, levante el brazo. Oirá un clic claro cuando coloca el brazo en la posición correcta. El equipo para hacer hielo no producirá más hielo sino hasta que baje el brazo del equipo para hacer hielo.



## ⚠ PRECAUCIÓN

Observe las siguientes precauciones para evitar causar daños al equipo para hacer hielo.

- No baje o suba el brazo del equipo para hacer hielo más allá del tope.
- No coloque ni almacene nada en la cubeta para hielo.

# Guía de almacenamiento de alimentos

## Almacenamiento de alimentos frescos

Envuelva o almacene la comida del refrigerador en un material hermético y a prueba de humedad. Esto evita la transferencia de olores y sabores. Para productos con fecha de caducidad, revise la fecha de vencimiento para asegurarse de que estén frescos.

Para almacenar vegetales de hojas, quíteles la envoltura en la que vienen. Desprenda las áreas magulladas y descoloridas. Lave los vegetales con agua fría y escúrralos, luego colóquelos en una bolsa o recipiente de plástico y almacénelos en el cajón de vegetales.

Almacene los vegetales con cáscara como zanahorias y chiles en bolsas o recipientes de plástico.

Antes de refrigerar o congelar fruta, lávela y déjela secar. Almacene la fruta en bolsas de plástico. No lave ni descascare las bayas hasta que las vaya usar. Escoja y guarde las bayas en su recipiente original en el cajón de vegetales, o almacénelas sueltas en una bolsa de papel cerrada en un estante del refrigerador.

Almacene los huevos sin lavarlos. Manténgalos en su cartón original o en el recipiente de huevos de su refrigerador.

Limpie los cartones de leche. Para un mejor almacenamiento, coloque la leche en un estante interior.

Mantenga la mantequilla abierta en un recipiente cerrado o en un compartimiento cerrado. Cuando almacene mantequilla en el congelador, envuélvala en un empaque para congelador.

Cuando le sobre comida, cúbrala con envoltura de plástico o papel aluminio, o almacene esta comida en recipientes de plástico con tapas de cierre hermético.

Almacene la carne en su envoltura original, siempre y cuando esta envoltura sea hermética y a prueba de humedad. Si es necesario vuelva a envolver la carne.

**NOTA:** Cuando necesite almacenar la carne durante más tiempo que el recomendado, congélela.

### Tiempos de almacenamiento recomendados:

Pollo	1 a 2 días	Tocino	5 a 7 días
Carne de res molida	1 a 2 días	Embutidos	3 a 5 días
Filetes o asados	3 a 5 días	Variedad de carnes	1 a 2 días
Carnes curadas	7 a 10 días		

**NOTA:** Use el pescado y los mariscos frescos el mismo día que los compra.

## Empacado de comida para su congelación

El secreto de una congelación satisfactoria se encuentra en la envoltura; la manera en que se cierra y sella un paquete de alimentos no debe permitir la entrada y salida de aire ni de humedad, de otra manera la calidad de la comida se deteriorará mientras está congelada.

### Los envases que no debe usar para congelar incluyen:

- Envolturas de pan
- Recipientes de plástico que no sean de polietileno
- Recipientes sin tapa
- Papel encerado o papel para congelación encerado
- Envolturas delgadas semipermeables

### Empaque recomendado:

- Recipientes de plástico rígido con tapas de cierre hermético
- Frascos de congelación/enlatado de lados rectos
- Papel aluminio resistente
- Papel recubierto de plástico
- Envolturas de plástico no permeables (hechas de películas saran)
- Bolsas con cremallera superior para congelador

Siga las instrucciones del paquete o recipiente respecto a los métodos de congelación adecuados.

## Congelamiento de comidas

No espere que su congelador congele rápidamente grandes cantidades de comida; no meta en el congelador más de dos o tres libras de comida sin congelar por pie cúbico en un lapso de 24 horas. Deje suficiente espacio alrededor de los paquetes para que el aire circule, y tenga cuidado de dejar suficiente espacio en el frente para que la puerta del congelador pueda cerrar herméticamente.

Un congelador lleno permanece frío más tiempo que uno parcialmente lleno, y un congelador lleno de carne permanece frío más tiempo que un congelador lleno de artículos horneados. Si la comida contiene cristales de hielo se puede recongelar con seguridad, aunque es posible que la calidad y el sabor se deterioren. Si la condición de la comida no es buena, o si usted considera que la comida no es segura, deséchela.

Los tiempos de almacenamiento variarán de acuerdo con la calidad de la comida, el tipo de envase o envoltura usado (hermético y a prueba de humedad) y la temperatura de almacenamiento, que debe ser de 0 a 2 °F (-18 a -17 °C).

# Limpieza y mantenimiento



## PRECAUCIÓN

Para evitar lesiones personales o daños materiales, lea y siga todas las instrucciones de limpieza del fabricante del producto.



## ADVERTENCIA

Antes de limpiar la unidad coloque el interruptor de encendido/apagado en la posición OFF (APAGADO) para evitar descargas eléctricas que le pueden causar lesiones personales graves o la muerte. Después de limpiar, regrese el interruptor a la posición ON (ENCENDIDO).

Su refrigerador se ha construido para darle muchos años de servicio fiable. Sin embargo, hay algunas cosas que puede hacer para prolongar su vida. En esta sección le indicamos cómo limpiar su refrigerador y lo que debe hacer cuando se vaya de vacaciones, se mude o durante un apagón.

### Superficies interiores

Lave las superficies interiores de su refrigerador con cuatro cucharadas de carbonato de sodio disueltos en un cuarto de galón de agua tibia. Use un paño suave y limpio. Enjuague estas superficies con agua caliente y un paño suave y limpio.

#### No use lo siguiente para limpiar las superficies interiores:

- Limpiadores abrasivos o fuertes como amonio o blanqueador de cloro
- Detergentes o solventes concentrados
- Almohadillas metálicas de restriegue

Estos productos pueden raspar, agrietar y decolorar las superficies de su refrigerador.

Además, nunca lave la cubeta del hielo ni los estantes en el lavaplatos. Se deben limpiar a mano.

### Tabla de limpieza

Pieza	Qué usar	Cómo limpiar
<b>Piezas removibles</b> (estantes, cajones)	España o paño con detergente suave y agua tibia.	Lave a mano, enjuague y seque completamente.
<b>Paneles de la puerta frontal</b> • Acero inoxidable	Limpiador de acero inoxidable <b>No utilice limpiadores con blanqueador con cloro.</b>	Limpie con un paño suave.
• Pintada	España o paño con detergente suave y agua tibia.	Lave a mano, enjuague y seque completamente.
<b>Paredes interiores</b> (permita que el congelador se caliente para que el paño no se pegue)	España, paño suave o toalla de papel con bicarbonato de sodio o un detergente suave y agua tibia.	Lave a mano, enjuague y seque completamente.
<b>Forros y juntas de las puertas</b>	España, paño suave o toalla de papel con un detergente suave y agua tibia. <b>No use ceras de limpieza, detergentes concentrados ni limpiadores que contengan blanqueador de cloro.</b>	Lave, limpie y seque completamente.
<b>Piezas de plástico</b> (tapas, paneles)	España suave y limpia o paño suave limpio con un detergente suave y agua tibia. <b>No use toallas de papel, rociadores de ventanas ni almohadillas de restregado. Estos artículos pueden raspar y dañar el acabado.</b>	Lave, limpie y seque completamente.
<b>Condensador* Super Clog-Resistant™</b>	Aspiradora con un accesorio extendido y estrecho.	Aspire el serpentín cuando tenga polvo o esté sucio.

\*En condiciones normales, el condensador no requiere mantenimiento.

# Limpeza y mantenimiento

## Estantes de vidrio

Para limpiar los estantes de vidrio de su refrigerador, saque el estante levantándolo por el frente y liberando los ganchos del carril metálico. Luego jale el estante para sacarlo. Asegúrese de permitir que los estantes de vidrio se ajusten a temperatura ambiente antes de limpiarlos.

Para limpiar las hendiduras, diluya un detergente suave en agua. Aplique esta solución en las hendiduras con un cepillo de cerdas plásticas. Deje que se remoje por cinco minutos. Rocíe agua tibia en las hendiduras usando el accesorio de rocío del grifo. Seque completamente el estante de vidrio y vuélvalo a colocar insertando los ganchos en el carril metálico y bajando el frente.

## Juntas de las puertas

Limpie las juntas de las puertas cada tres meses con los mismos procedimientos usados para las superficies interiores. Debe aplicar una ligera capa de vaselina a las juntas para mantenerlas flexibles.

### ⚠ PRECAUCIÓN

Para evitar lesiones personales o daños materiales, maneje cuidadosamente los estantes de vidrio. Los estantes se pueden romper repentinamente si tienen mellas, raspaduras o se sujetan a cambios de temperatura repentinos.



### ⚠ ADVERTENCIA

#### RIESGO DE QUEMADURAS

No toque el serpentín del condensador que se encuentra cerca de la bandeja de descongelación.

Si lo hace puede sufrir quemaduras.



### ⚠ ADVERTENCIA



#### RIESGO DE DESCARGAS ELÉCTRICAS

Desconecte el suministro eléctrico o coloque el interruptor de energía en la posición de apagado (OFF) antes de remover la rejilla superior. Si no interrumpe la energía se puede ocasionar la muerte o sufrir lesiones por una descarga eléctrica.

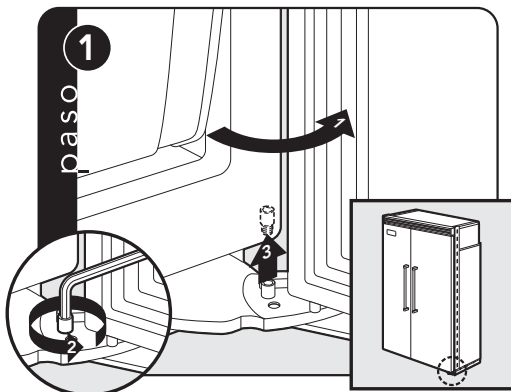
## Bandeja de descongelación

Revise periódicamente la bandeja de descongelación para evitar el derrame del agua de condensación.

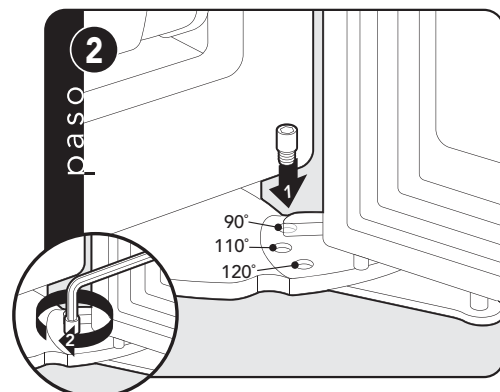
Para revisar la bandeja de descongelación, quite los dos tornillos que fijan la placa de protección a la unidad. Jale la bandeja de descongelación hacia adelante hasta que se detenga. Elimine el exceso de agua de la bandeja. Limpie la bandeja de descongelación con una esponja. Coloque la bandeja de descongelación en su posición original. Vuelva a colocar la placa de protección en la unidad fijándola con dos tornillos.

## Ajuste del tope de la puerta.

La fábrica envía su refrigerador con el tope de la puerta ajustado a 110°. Para cambiar a la posición de 90° o de 120°, quite el tornillo del tope de la puerta con una llave allen de 3/16" (0.5cm).



Abra la puerta del refrigerador para tener acceso al tope de la puerta y al tornillo con reborde.



Quite el tornillo con reborde y colóquelo en la posición de 90° o 120°.

# Limpieza y mantenimiento

## Conservación de energía

Puede ayudar a que su refrigerador use menos electricidad si sigue estas sugerencias simples.

- Abra las puertas tan pocas veces como sea posible. Piense en lo que necesita antes de abrir la puerta. Saque todo lo que necesita de una sola vez. Mantenga la comida organizada para que no tenga que buscar lo que necesita. Cierre la puerta tan pronto como saque la comida.
- No cargue excesivamente la unidad porque se puede bloquear el movimiento del aire.
- No ajuste la unidad a una temperatura más baja que la necesaria.

## Sugerencia para vacaciones

Cuando salga de su casa por un periodo de tiempo breve (menos de cuatro semanas), no hay necesidad de apagar su refrigerador. Sin embargo, asegúrese de:

- Usar todos los alimentos perecederos.
- Congelar otros artículos.
- Levante el brazo de señal del equipo automático para hacer hielo a la posición de apagado (hacia arriba) y cierre el suministro de agua al equipo para hacer hielo.

Si va a estar fuera de su casa durante un mes o más siga estas instrucciones:

- Saque toda la comida y hielo.
- Apague el interruptor de desconexión.
- Limpie la unidad y las juntas de la puerta de acuerdo con la sección "Mantenimiento y limpieza" de la página 14.
- Mantenga las puertas abiertas con bloques de caucho o madera para que el aire pueda circular al interior. Esto evitará el crecimiento de moho y la acumulación de olores.
- Levantar el brazo de señal del equipo automático para hacer hielo a la posición de apagado (hacia arriba) y cerrar el suministro de agua al equipo para hacer hielo

## Interrupciones de la energía eléctrica

Si se va a interrumpir la energía a su refrigerador durante 24 horas o menos, mantenga cerradas las puertas del congelador. Esto ayudará a que la comida permanezca congelada.

Si se va a interrumpir el servicio eléctrico durante más de 24 horas, saque toda la comida congelada y almacénela en un gabinete de comida congelada, o coloque dos libras de hielo seco en el interior del congelador por cada pie cúbico de volumen interno. Esto mantendrá la comida congelada por dos a cuatro días. Asegúrese de usar guantes para proteger sus manos contra quemaduras de hielo seco. Si no tiene disponible un gabinete de comida congelada ni hielo seco, debe usar o enlatar inmediatamente su comida perecedera.



# Resolución de problemas

## Entienda los sonidos que puede oír

Es posible que su refrigerador nuevo haga un sonido diferente al viejo. Las superficies rígidas, como el cielo raso, las paredes y los gabinetes que rodean la unidad pueden hacer que los sonidos aumenten de volumen. Sin embargo, estos sonidos son normales y pronto se acostumbrará a ellos; los sonidos indican que su refrigerador está funcionando adecuadamente.

Los siguientes son los sonidos que puede oír y cuál es su causa:

- El ventilador de la comida fresca del congelador o del refrigerador: parece como una corriente o un remolino de aire
- Flujo del refrigerante del sistema sellado (evaporador e intercambiador de calor): suena como borboteo, ruidos secos o agua hirviendo
- Calentador de descongelación: crepitación, siseo o ruidos secos
- Ventilador del condensador: corriente o remolino de aire
- Compresor: tiene un zumbido agudo o pulsante
- Conexión de la válvula del equipo para hacer hielo: zumba cuando el equipo para hacer hielo se llena de agua. Esto ocurre independientemente de si la unidad está conectada al suministro de agua. Si la unidad no está conectada al suministro de agua, elimine el sonido levantando el brazo del equipo para hacer hielo a la posición de apagado.

## La mayoría de los problemas de rendimiento a los que se podría enfrentar con su refrigerador son pequeños y usted debe poder arreglarlos sin necesidad de herramientas.

En las tablas se listan los problemas más comunes que los consumidores tienen con sus electrodomésticos. Por favor lea esta sección y vea si puede resolver su problema antes de llamar para solicitar servicio.

### Problemas comunes con el refrigerador

PROBLEMA	POSIBLE CAUSA Y SOLUCIÓN
La unidad no funciona.	¿Está conectado el cable eléctrico en un circuito vivo del voltaje adecuado? ¿Hay en la casa un fusible fundido o un disyuntor disparado? ¿Está encendido el interruptor?
La unidad hace sonidos poco familiares.	Vea la sección "Entienda los sonidos que puede oír" para ver una descripción de los sonidos normales y lo que los produce.
Hay agua en la bandeja de descongelación.	Esto es normal en condiciones climáticas calientes y húmedas. Asegúrese de que la bandeja esté nivelada para que no se derrame.
El equipo para hacer hielo no funciona.	¿Está el congelador lo suficientemente frío como para hacer hielo? Es posible que pase toda la noche para que el congelador alcance la temperatura apropiada. ¿Se encuentra en brazo de señales en la posición encendida (abajo)? ¿Está abierta la válvula de agua? ¿Entra agua en la válvula de agua? Revise si hay fugas en la tubería de agua.
Las luces no funcionan.	¿Hay en la casa un fusible fundido o un disyuntor disparado? ¿Está fundida una bombilla? Para modelos con iluminación LED, contacto con una agencia de servicio autorizada
Parece que el motor funciona durante mucho tiempo.	El motor funciona durante más tiempo en días calurosos, si la habitación está demasiado caliente, si se ha colocado una gran cantidad de comida o si las puertas se abren frecuentemente.
La temperatura en pantalla no coincide con el ajuste de temperatura.	Recientemente ha enchufado la unidad, ha colocado comida caliente o ha abierto la puerta con mucha frecuencia o durante un periodo prolongado. Espere 24 horas para que la temperatura se estabilice.
Trozos de hielo pegado en las esquinas.	Esto es normal. Se pueden quitar fácilmente. Agite ocasionalmente el depósito para mantener los cubos separados.
El equipo para hacer hielo no funciona o no se produce hielo con suficiente frecuencia.	<ul style="list-style-type: none"> <li>• La palanca On/Off se encuentra en posición apagada (hacia arriba). Baje la palanca a la posición de encendido (hacia abajo).</li> <li>• El congelador no está lo suficientemente frío. Ajuste los controles de temperatura y espere 24 horas.</li> </ul>
El hielo tiene olor o sabor.	<ul style="list-style-type: none"> <li>• Las nuevas conexiones de la tubería pueden producir hielo con color o con sabor. Deseche las primeras tres producciones de hielo.</li> <li>• Los cubos han estado almacenados demasiado tiempo. Tírelos y haga una nueva ración.</li> <li>• La comida no se envolvió adecuadamente.</li> <li>• Es necesario limpiar el congelador y el depósito de hielo.</li> <li>• El agua puede contener minerales. Es posible que se necesite un filtro para eliminarlos.</li> </ul>

# Información sobre el servicio

Si necesita servicio, llame a su una agencia de servicio autorizada.

Tenga a la mano la siguiente información.

- Número de modelo
- Número de serie
- Fecha de compra
- Nombre de la distribuidora donde hizo la compra

Describa claramente el problema que tiene. Si no puede obtener el nombre de una agencia de servicio autorizada, o si continúa teniendo problemas con el servicio, comuníquese al teléfono 1-888-845-4641 o escriba a:

**PREFERRED SERVICE**  
**111 Front Street**  
**Greenwood, Mississippi 38930 EE.UU.**

Anote la información que se indica abajo. La necesitará si alguna vez requiere servicio. Los números de serie y de modelo de su refrigerador se encuentran en la pared superior, detrás de las luces:

N.º de modelo \_\_\_\_\_

N.º de serie \_\_\_\_\_

Fecha de compra \_\_\_\_\_

Fecha de instalación \_\_\_\_\_

Nombre de la distribuidora \_\_\_\_\_

Dirección \_\_\_\_\_

Si el servicio requiere la instalación de piezas, use solamente piezas autorizadas para asegurar la protección de la garantía.

**Conserve este manual para su referencia futura.**

# Garantía

## PUERTAS VERTICALES/REFRIGERADORES Y CONGELADORES GARANTÍA TOTAL DE DOS AÑOS

Se garantiza que los todos de abajo/de puertas verticales/refrigeradores y congeladores y todas sus piezas, **excepto según se detalla a continuación\***†, están libres de defectos en los materiales o la mano de obra bajo uso residencial normal por un periodo de dos (2) años a partir de la compra minorista original o la fecha de cierre de una construcción nueva, el periodo que sea mayor. AGA Marvel, el garante, acepta reparar o reemplazar, a su opción, cualquier pieza que no funcione o que se determine defectuosa durante el periodo de la garantía.

**\*GARANTÍA COSMÉTICA TOTAL DE 90 (NOVENTA) DÍAS:** Se garantiza que el producto está libre de defectos cosméticos en los materiales o la mano de obra (como rayones en el acero inoxidable, imperfecciones en la pintura/porcelana, etc.) por un periodo de 90 (noventa) días a partir de la fecha de compra minorista original o a la fecha de cierre por una nueva construcción, el periodo que sea mayor. Todo defecto se deberá reportar al vendedor en un lapso de 90 (noventa) días a partir de la fecha de la compra minorista original. AGA Marvel utiliza procesos y material de alta calidad para producir todos los acabados de color. Sin embargo, es posible que se observen leves variaciones de color debido a las diferencias inherentes de las partes pintadas y de las partes de porcelana, así como las diferencias en la iluminación de la cocina, las ubicaciones del producto y otros factores. Por lo tanto, esta garantía no aplica a la variación de color que se atribuya a dichos factores.

**†GARANTÍA TOTAL DE 90 (NOVENTA) DÍAS EN APLICACIONES "RESIDENCIALES PLUS".** Esta garantía total es válida para las aplicaciones en las que el uso del producto vaya más allá del uso residencial normal; no obstante, el periodo de garantía para los productos que se usen en tales aplicaciones será de 90 (noventa) días. Ejemplos de aplicaciones que esta garantía cubre son las casas de alojamiento con desayuno, estaciones de bomberos, clubes privados, iglesias, yates, etc. Bajo esta garantía "Residencial Plus", se garantiza que el producto, sus componentes y accesorios, estarán libres de defectos en los materiales o la mano de obra por un periodo de noventa (90) días a partir de la fecha de compra minorista original. Esta garantía excluye el uso del producto en locales comerciales tales como restaurantes, servicios alimenticios y servicios institucionales.

### GARANTÍA TOTAL DE SEIS AÑOS EN LAS PIEZAS DE REFRIGERACIÓN SELLADAS COMO SE INDICA

Se garantiza que los componentes sellados del sistema de refrigeración, como se listan abajo, estarán libres de defectos en los materiales y la mano de obra bajo uso doméstico normal durante el tercero y hasta el final del sexto año a partir de la compra minorista original. AGA Marvel, el garante, acepta reparar o reemplazar, a su opción, cualquier pieza que no funcione o que se determine defectuosa durante el periodo de la garantía.

**Componentes sellados del sistema de refrigeración:** Compresor, evaporador, condensador, tubo de conexión, secador/cedazo

### GARANTÍA LIMITADA DE DOCE AÑOS EN LAS PIEZAS DE REFRIGERACIÓN SELLADAS COMO SE INDICA

Cualquier componente sellado del sistema de refrigeración, como se lista arriba, que falle debido a materiales o mano de obra defectuosa bajo uso doméstico normal durante el séptimo al doceavo año a partir de la fecha de la compra minorista original será reparado o reemplazado, sin costo alguno por la pieza misma, y corriendo todos los costos a cargo del propietario, inclusive la mano de obra.

### TÉRMINOS Y CONDICIONES

Esta garantía se extiende al comprador original del producto garantizado y a cada propietario subsiguiente del producto durante el término de la garantía, y aplica a los productos que se compren y encuentren en Estados Unidos, México y el Caribe (excepto Cuba, República Dominicana y Haití). Los productos se deben haber comprado en el país en el que se requiere servicio. Si el producto o una de sus piezas componentes tiene un defecto o funciona mal durante el periodo completo de la garantía, después de un número razonable de intentos por parte del garante para corregir los defectos o el mal funcionamiento, el propietario tiene derecho a recibir un reembolso o al reemplazo del producto o de su pieza o piezas componentes. El reemplazo de una pieza incluye su instalación gratuita, excepto como se especifica bajo la garantía limitada. De acuerdo con los términos de esta garantía, un agente o representante de servicio autorizado por AGA Marvel autorizado por la fábrica debe proporcionar el servicio. El servicio se dará dentro del horario normal de oficina y la mano de obra que se dé durante horas extras o con tarifas especiales no estará cubierto por esta garantía.

El propietario será responsable de la instalación adecuada, de dar un mantenimiento razonable y necesario, de proporcionar comprobante de compra si se le solicita y de hacer que el aparato esté razonablemente accesible para llevar a cabo el servicio. La devolución de la Tarjeta de registro del propietario no es una condición para la cobertura de la garantía. Sin embargo, debe devolver la Tarjeta de registro del propietario para que AGA Marvel pueda comunicarse con usted en caso de que surja algún problema de seguridad que pudiese afectarle a usted.

Esta garantía le otorga derechos legales específicos, y es posible que tenga otros derechos que pueden variar entre jurisdicciones.

**LO QUE ESTA GARANTÍA NO CUBRE:** Esta garantía no aplica por los daños que sean el resultado de abuso, falta de un mantenimiento razonable y necesario, accidente, entrega, negligencia, desastres naturales, falta en el suministro de energía eléctrica al producto por alguna razón, alteración, uso en exteriores, instalación inadecuada, manejo inadecuado o que la reparación o servicio que se dé a producto sea efectuada por terceros que no sea una agencia o representante autorizado de AGA Marvel. Esta garantía no aplica a usos comerciales.

### LIMITACIÓN DE SOLUCIONES Y DURACIÓN DE LA GARANTÍA IMPLÍCITA

**EL RECURSO ÚNICO Y EXCLUSIVO DEL PROPIETARIO POR UNA RECLAMACIÓN DE CUALQUIER TIPO REFERENTE A ESTE PRODUCTO SERÁN LOS RECURSOS DISPUESTOS ARRIBA. AGA MARVEL NO ES RESPONSABLE DE DAÑOS RESULTANTES O INCIDENTALES, INCLUIDOS PERO SIN LIMITARSE A LA PÉRDIDA DE COMIDA O MEDICINA DEBIDO A LA FALLA DEL PRODUCTO, YA SEA QUE RESULTE DE UNA VIOLACIÓN DE LA GARANTÍA, INCUMPLIMIENTO DEL CONTRATO O DE OTRA CAUSA.** Algunas jurisdicciones no permiten la exclusión ni la limitación de daños incidentales ni resultantes, de manera que es posible que la limitación o exclusiones indicadas no apliquen en su caso. **TODAS LAS GARANTÍAS IMPLÍCITAS DE COMERCIALIZACIÓN O IDONEIDAD PARA UN PROPÓSITO PARTICULAR APLICABLE A ESTE PRODUCTO SE LIMITAN EN DURACIÓN AL PERIODO DE COBERTURA DE LAS GARANTÍAS LIMITADAS EXPRESADAS POR ESCRITO APLICABLES QUE SE DISPONEN ARRIBA.** Algunos estados no permiten la limitación en la duración de una garantía implícita, de manera que la limitación de arriba puede no aplicar en su caso.

### SERVICIO DURANTE LA GARANTÍA

Para obtener servicio durante la garantía, comuníquese con un representante de servicios o a Preferred Services, 111 Front Street, Greenwood, Mississippi 38930, (888) 845-4641. Proporcione los números de modelo y de serie y la fecha de compra original o la fecha de cierre en caso de construcciones nuevas. Si desea saber el nombre de la agencia de servicio autorizada teléfono 1-888-845-4641

**IMPORTANTE:** Retenga el comprobante de la compra original para establecer el periodo de la garantía.

Las especificaciones están sujetas a cambio sin previo aviso.

AGA Marvel  
1260 E VanDeinse Street  
Greenville, MI 48838  
(800) 223-3900

Si desea información sobre el producto llame  
al (800) 223-3900,  
o visite el sitio web en [agamarvel.com](http://agamarvel.com)