

AGA MARVEL

Installation Instructions

Built-In
Bottom-Freezer
Refrigerator
(Custom Panel)

MP36BF2



Table of Contents

Warnings & Important Information	3
Dimensions and Specifications (36")	5
Cutout Dimensions (36")	7
Anti-Tip Dimensions (36")	8
Overlay Dimensions (36")	9
Custom Grille Dimensions (36")	10
Cabinet Information	12
Custom Side Panel Dimensions	13
Custom Panel General Information	14
Custom Door Panel Installation – (Refrigerator or Freezer)	14
Door Trim Insert	17
Custom Panel Hinge Cutout	17
Custom Grille Installation	18
General Information	20
Unpacking & Moving	21
Installation	22
Hinge Adjustment	23
Kickplate Installation	26
Door Stop Adjustment	26
Water Filter System Specifications	27
Final Installation	28
Performance Checklist	29
Control Panels	30
Service & Registration	31

IMPORTANT – Please Read and Follow

- Make sure that incoming voltage is the same as unit rating. An electric rating plate specifying voltage, frequency, wattage, amperage, and phase is attached to the product.
- To reduce the risk of fire, electrical shock, or injury to persons, installation work and electrical wiring must be done by a qualified technician in accordance with all applicable codes and standards, including fire-rated construction.
- The installer should leave these instructions with the consumer who should retain them for local inspector's use and for future reference.

It is your responsibility to:

- Comply with installation specifications and dimensions.
- Properly install unit.
- Remove any moldings or decorative panels that prevent the unit from being serviced.
- Make sure that you have these materials (not provided with your unit), which are necessary for proper installation:
 - 1/4" (6 mm) copper tubing with shutoff valve
 - 6 – #8 x 3" (7.6 cm) wood screws (longer screws may be required)
 - 1– Saddle valve (**DO NOT** use self-piercing feature of the valve)
- Assure that floor will support unit, door panels and contents (approximately 1200 pounds [540 kg]).
- Provide a properly grounded electrical outlet.
- Assure that location will permit appliance doors to open a minimum of 90°.

Your safety and the safety of others is very important.

We have provided many important safety messages in this manual and on your appliance. **ALWAYS** read and obey all safety messages.



This is the safety alert symbol. This symbol alerts you to hazards that can kill or hurt you and others.

All safety messages will be preceded by the safety alert symbol and the word "DANGER" or "WARNING."

These words mean:

! DANGER

Hazards or unsafe practices which WILL result in severe personal injury or death

! WARNING

Hazards or unsafe practices which COULD result in severe personal injury or death

All safety messages will identify the hazard, tell you how to reduce the chance of injury, and tell you what can happen if the instructions are not followed.

IMPORTANT—Please Read and Follow!

A GFI shall be used if required by NFPA-70 (National Electric Code), federal/state/local laws, or local ordinances.

- The required use of a GFI is normally related to the location of a receptacle with respect to any significant sources of water or moisture.
- AGA Marvel will NOT warranty any problems resulting from GFI outlets which are not installed properly or do not meet the requirements below.

If the use of a GFI is required, it should be:

- Of the receptacle type (breaker type or portable type NOT recommended)
- Used with permanent wiring only (temporary or portable wiring NOT recommended)
- On a dedicated circuit (no other receptacles, switches or loads in the circuit)
- Connected to a standard breaker of appropriate size (GFI breaker of the same size NOT recommended)
- Rated for Class A (5 mA +/- 1 mA trip current) as per UL 943 standard)
- In good condition and free from any loose-fitting gaskets (if applicable in outdoor situations)
- Protected from moisture (water, steam, high humidity) as much as reasonably possible

⚠ WARNING


TIP OVER HAZARD
Appliance is top heavy and tips easily when not completely installed. Keep doors closed until appliance is completely installed and secured per installation instructions.

Use two or more people to move and install appliance. Failure to do so can result in death or serious injury.



⚠ WARNING

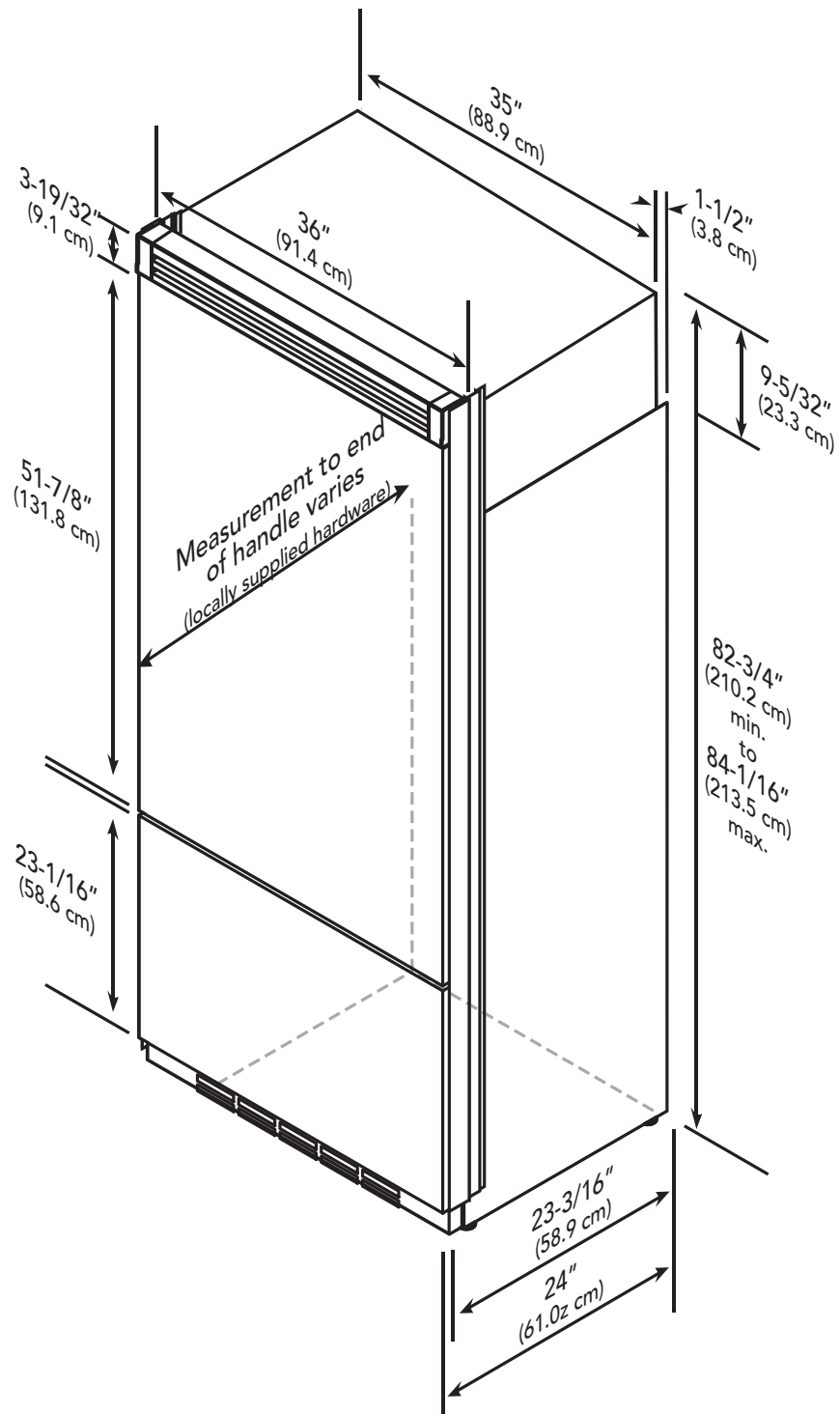
ELECTRICAL SHOCK HAZARD
Disconnect power or turn power disconnect switch to OFF position before removing top grille. Failure to do so can result in death or electric shock.



Most of the unit's weight is at the top. Extra care is needed when moving the unit to prevent tipping. Use cardboard shipping material or plywood under unit until it is installed in the operating position to protect floor surface.

Custom Panel Dimensions (Bottom-Freezer)

36" Bottom-Freezer



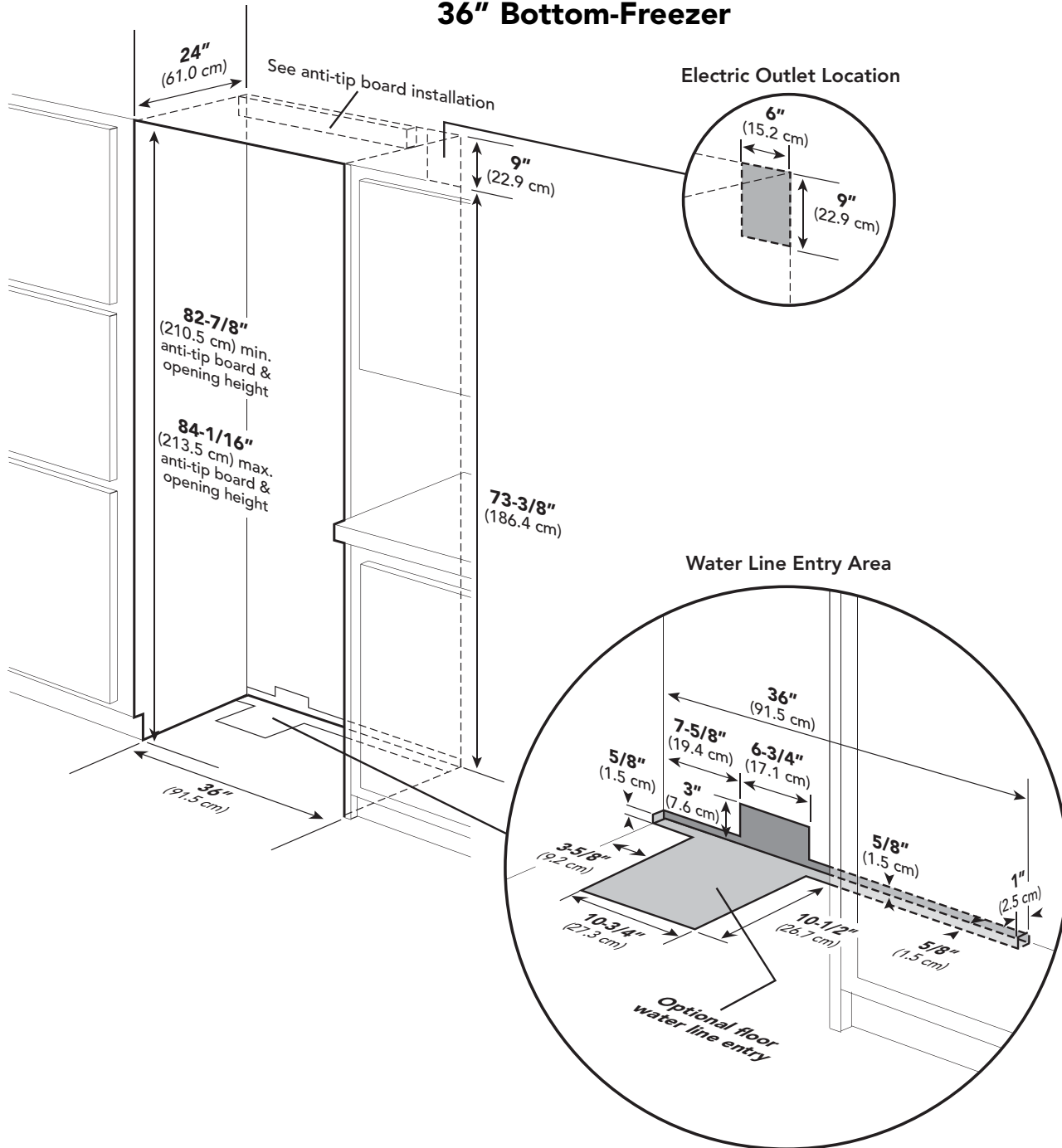
Specifications (Bottom-Freezer)

36" Bottom-Freezer	
Description	MP36BF2
Overall width	36" (91.5 cm)
Overall height (from bottom)	82-3/4" (210.2 cm) min. to 84-1/16" (213.5 cm) max.
Overall depth (from rear)	To front edge of side trim: 23-3/16" (58.9 cm) To front of top grille: 24" (61.0 cm)
Cutout width	36" (91.5 cm)
Cutout height	82-7/8" (210.5 cm) min. to 84-1/16" (213.5 cm) max.
Cutout depth	24" (61.0 cm) min.*
Electrical requirements	115 volt, 60 Hz, 15 amp dedicated circuit; 3-wire cord with grounded 3-prong plug attached to product
Maximum amp usage	9.9 amps
Inlet water requirements	1/4" copper tubing inlet waterline; minimum 20 psi; maximum 120 psi
Overall interior dimensions	
Refrigerator	15.3 cu. ft. (434 liters)
Freezer	5.1 cu. ft. (145 liters)
Total capacity	20.4 cu. ft. (579 liters)
Maximum panel weight	Fresh food 45 lbs. (20.4 kg) Freezer 20 lbs. (9.0 kg)
Approximate shipping weight	500 lbs. (227.3 kg)

***Note:** Custom panel models fit flush in 25" (63.5 cm) deep cabinet openings. They can be installed in standard 24" (61.0 cm) deep openings. The door faces and top grille will protrude 3/4" (1.9 cm) into the room.

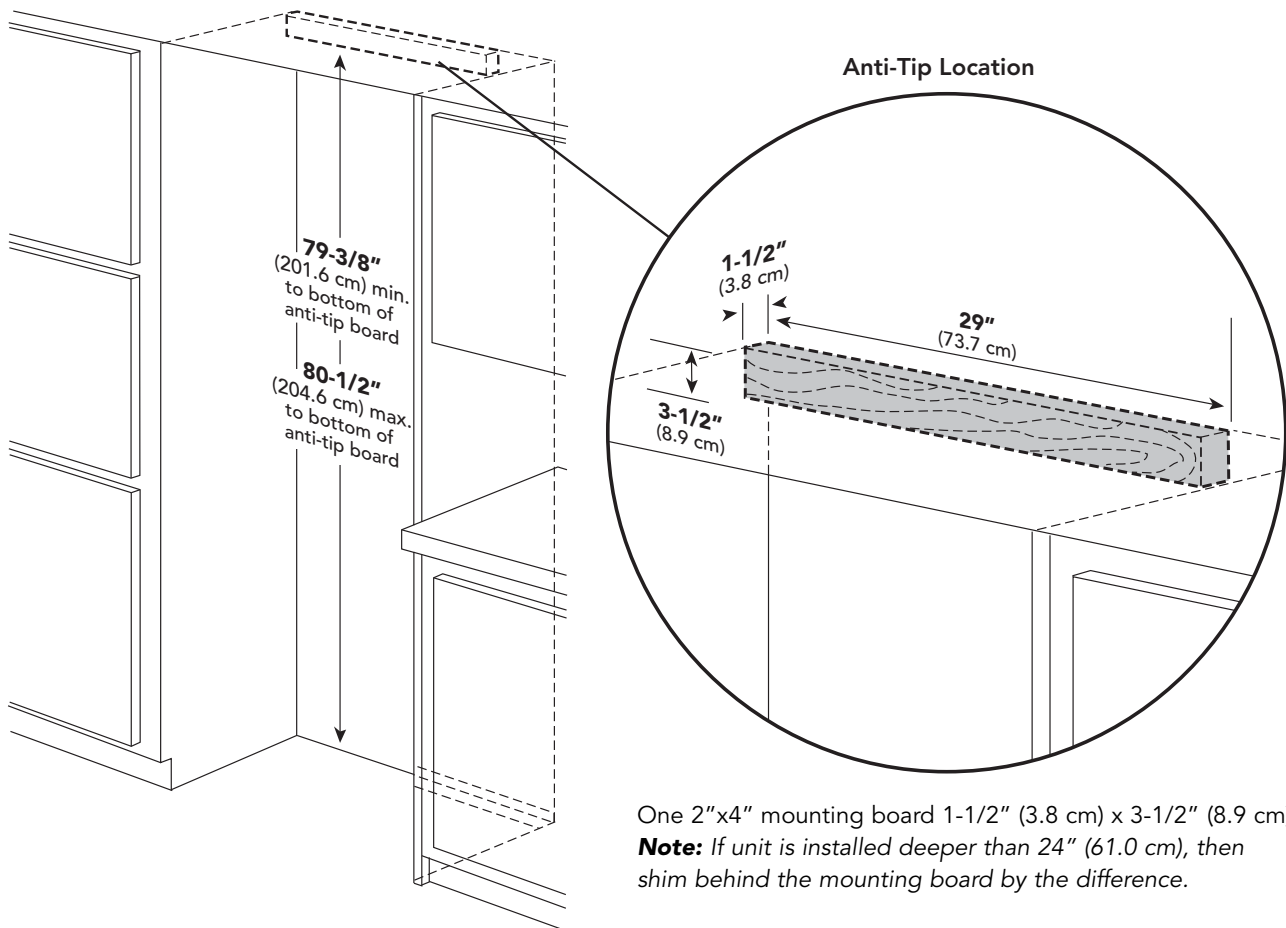
Cutout Dimensions (Bottom-Freezer)

36" Bottom-Freezer



Anti-Tip Dimensions (Bottom-Freezer)

36" Bottom-Freezer

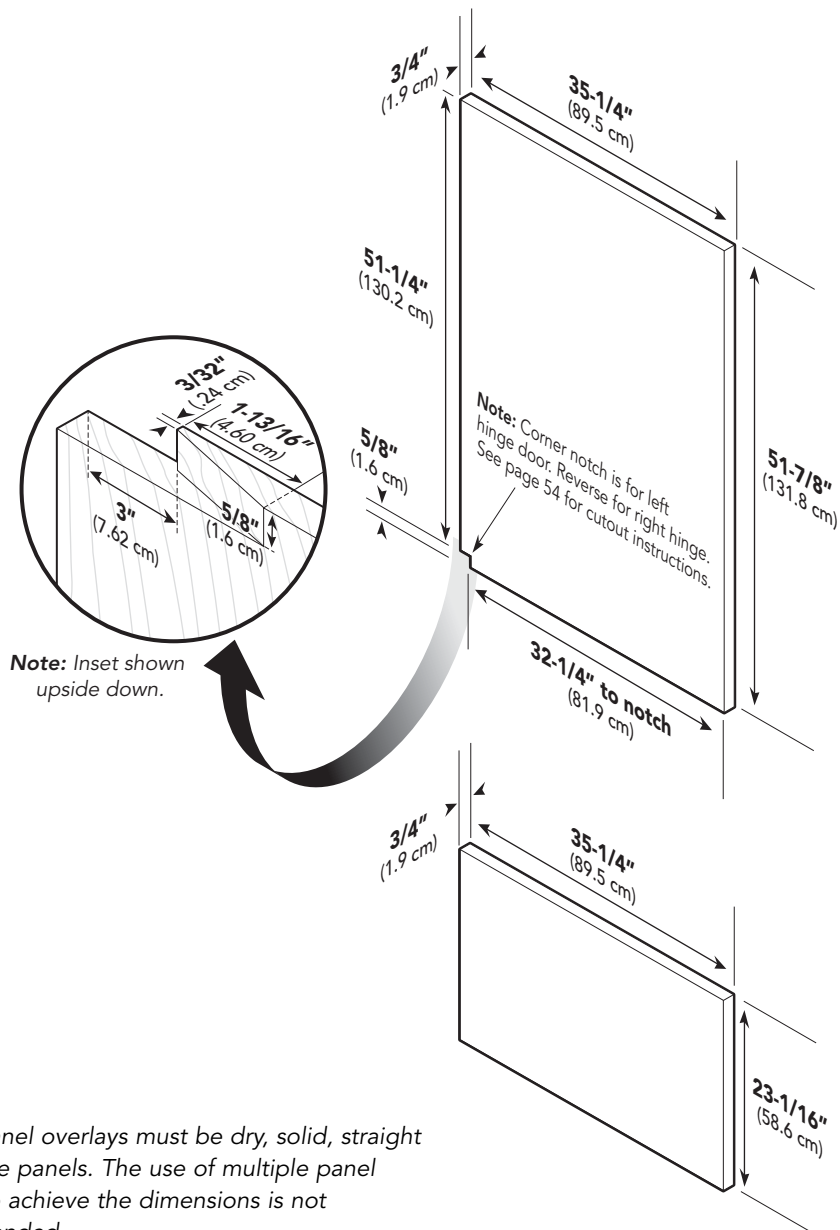


One 2"x4" mounting board 1-1/2" (3.8 cm) x 3-1/2" (8.9 cm)
Note: If unit is installed deeper than 24" (61.0 cm), then shim behind the mounting board by the difference.

Bottom of anti-tip board is 3-7/8" (9.8 cm) below the opening height.
Note: Top of unit must be placed firmly under anti-tip board.

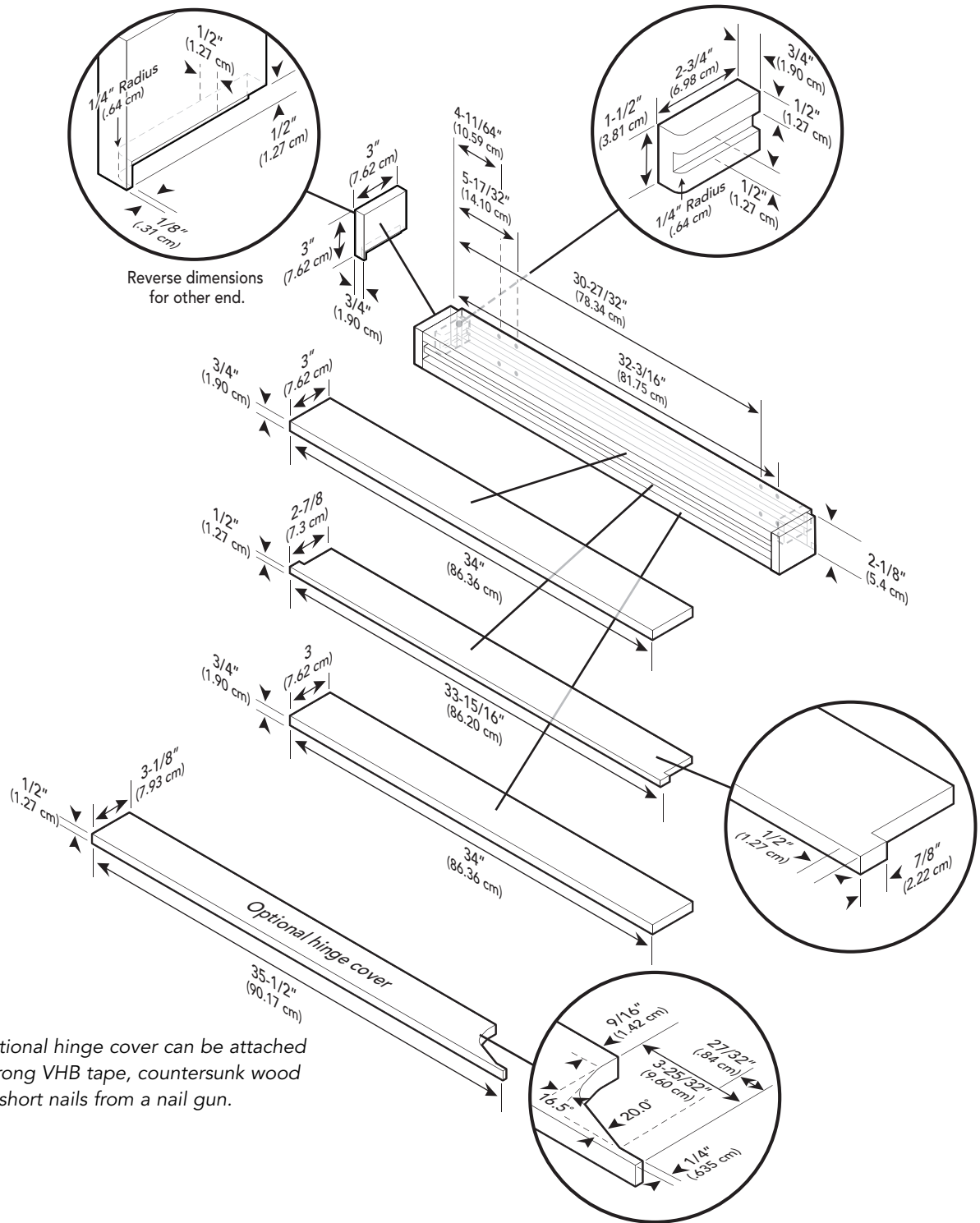
Custom Front Panel Dimensions (Bottom-Freezer)

36" Custom Panels



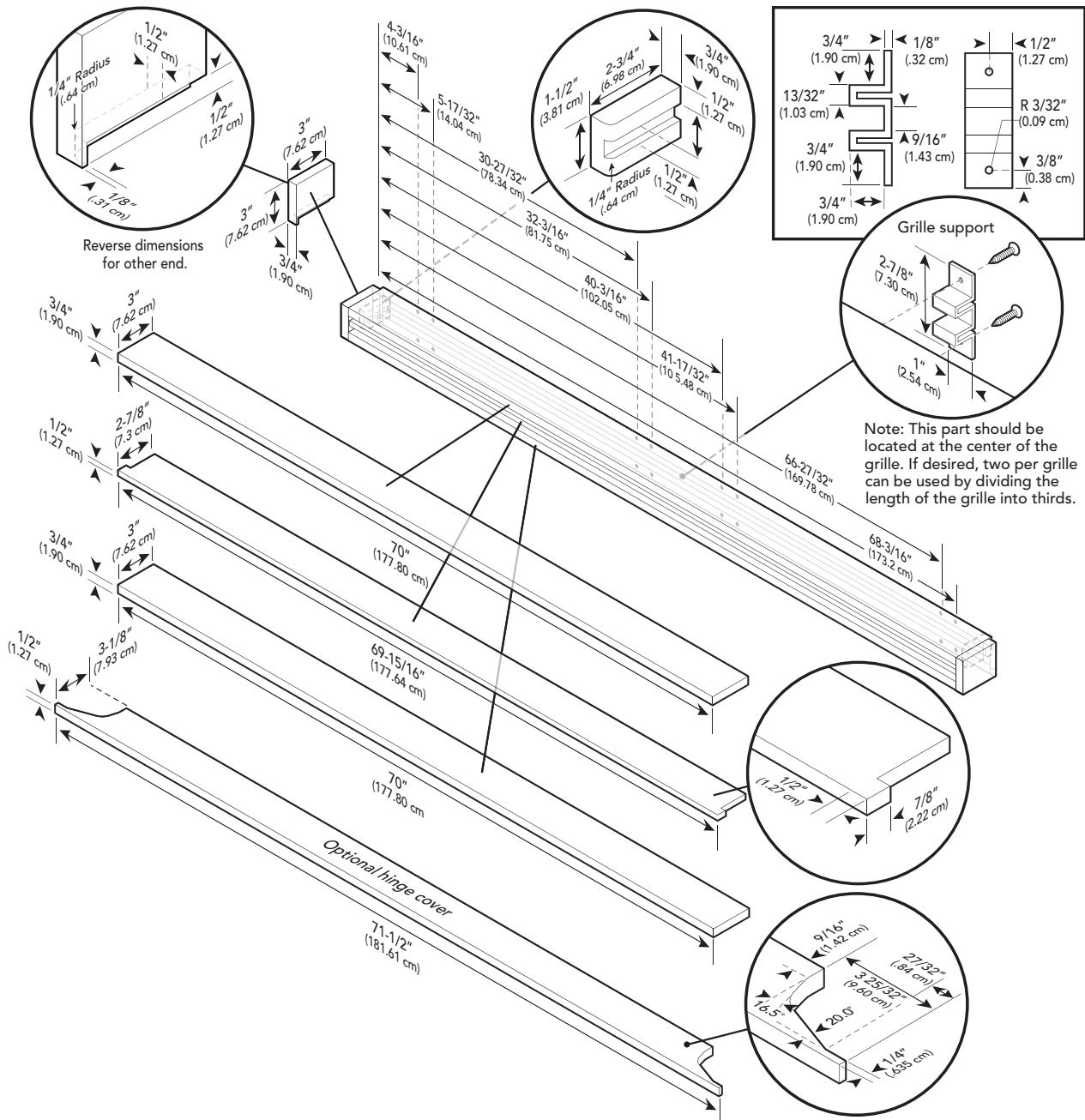
Custom Grille Dimensions (Bottom-Freezer)

36" Custom Grille



Custom Grille Dimensions (Bottom-Freezer)

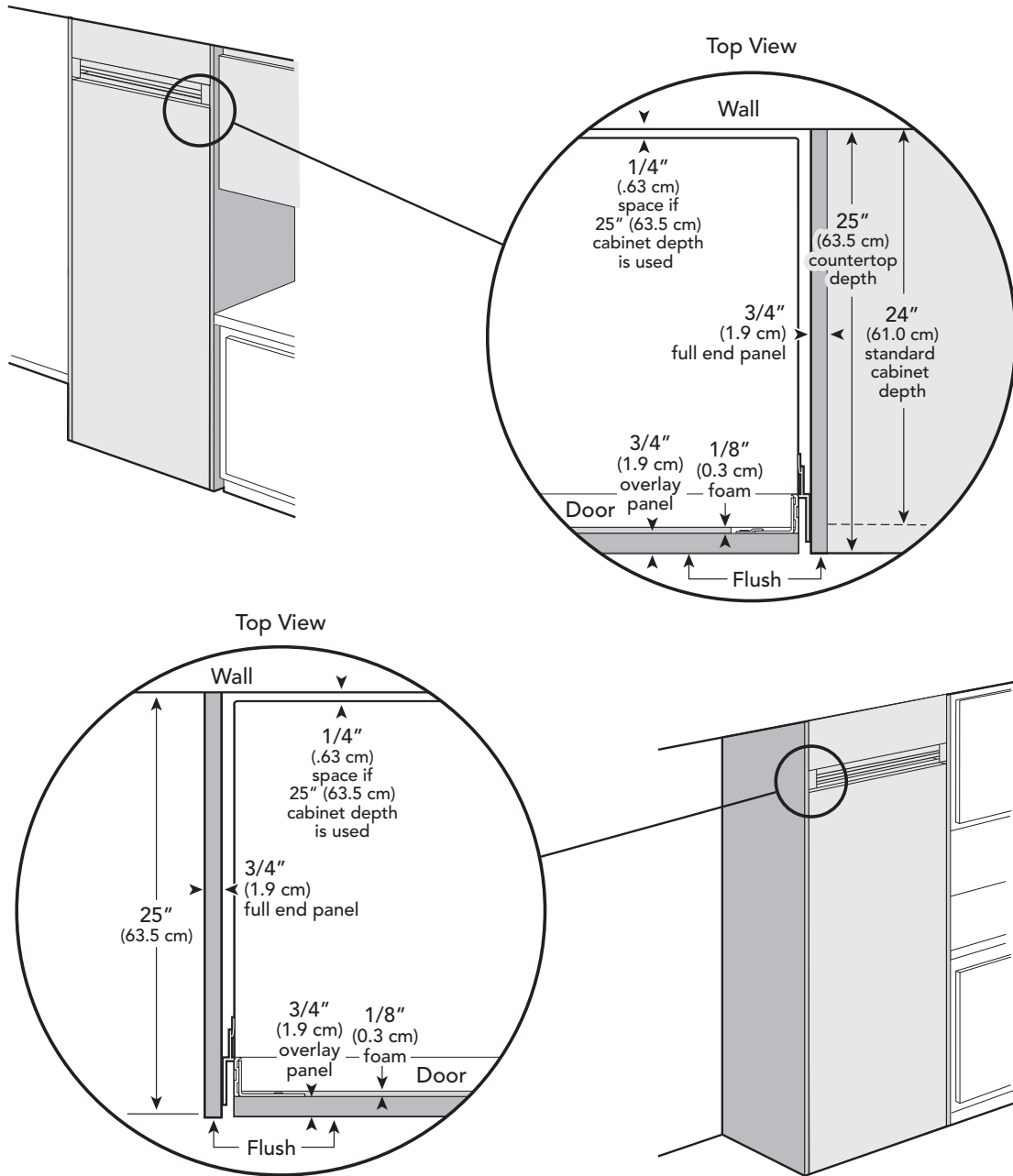
Dual 36" Custom Grille



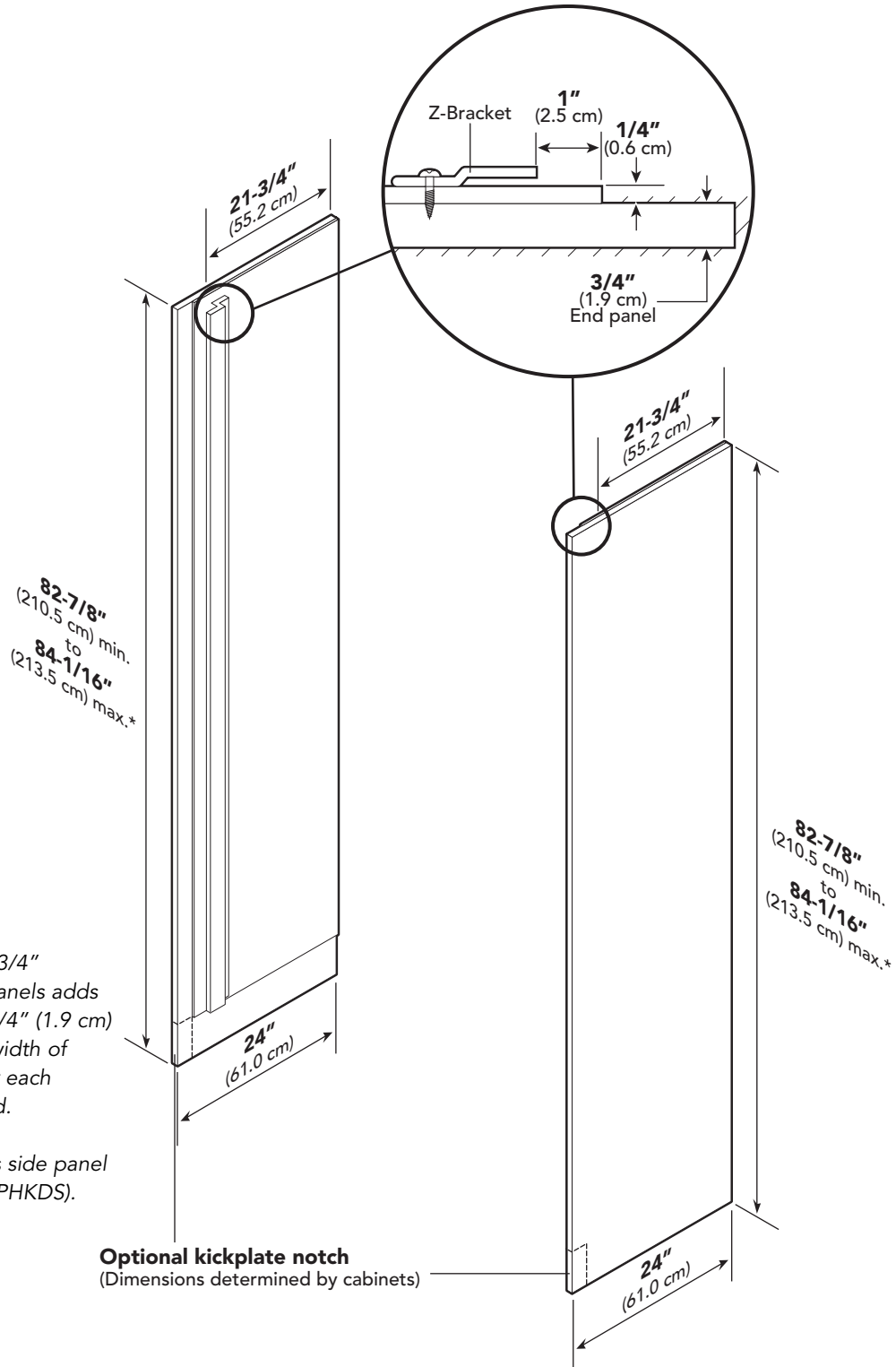
Note: Optional hinge cover can be attached using a strong VHB tape, countersunk wood screws or short nails from a nail gun.

Cabinet Information

Custom panel models, (with 3/4" [1.9 cm], thick panels and custom handles locally supplied), fit flush in 25" (63.5 cm) deep (countertop depth) cabinet openings with no protrusion into room except custom handles



Custom Side Panel Dimensions



***Note:** Depending on how high leveling feet are raised, and cabinet enclosure height.

Custom Panel General Information

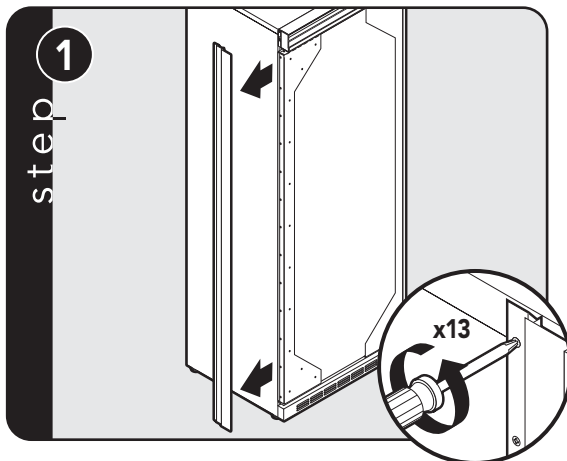
Custom finishing options

- All installations must allow for the refrigerator and freezer door to open a minimum of 90°.
- For side wall or corner installation, allow for a standard 3" (7.6 cm) cabinet filler to assure door(s) opens 90°.

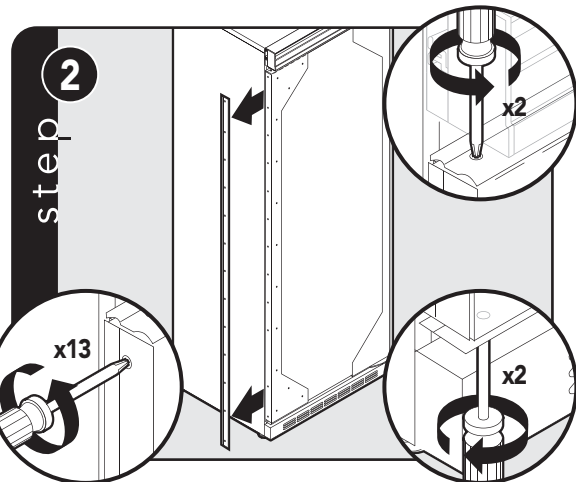
Note: If a custom handle is used, a wider filler may be necessary.

- Panel thickness must not exceed 1" (2.5 cm) on hinge side. Thicker panels will interfere with door swing and clearance.
- Door panels should be installed after the refrigerator has been plugged in for at least 24 hours.

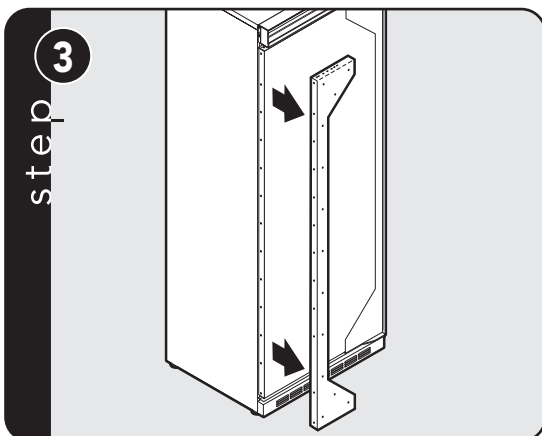
Custom Door Panel Installation



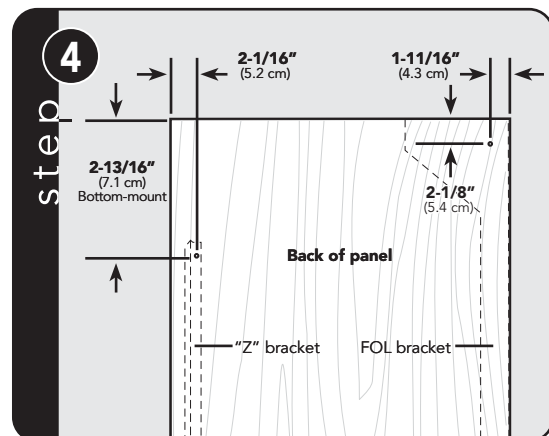
Remove handle side cabinet screws and trim with a phillips screwdriver.



Remove all screws from handle side door trim. Remove two screws from top and bottom door trim. Remove handle side door trim.

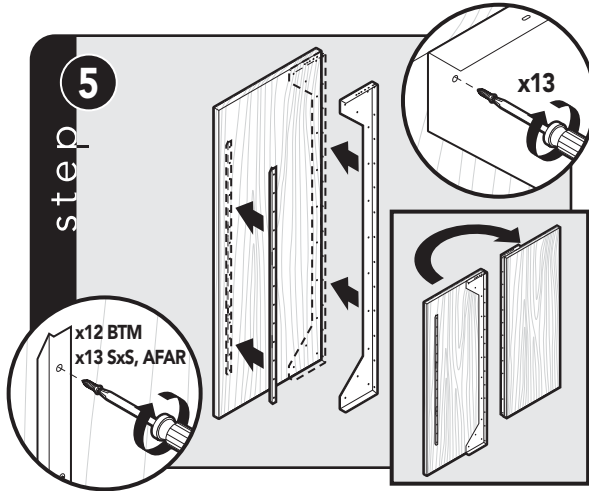


Remove bracket.

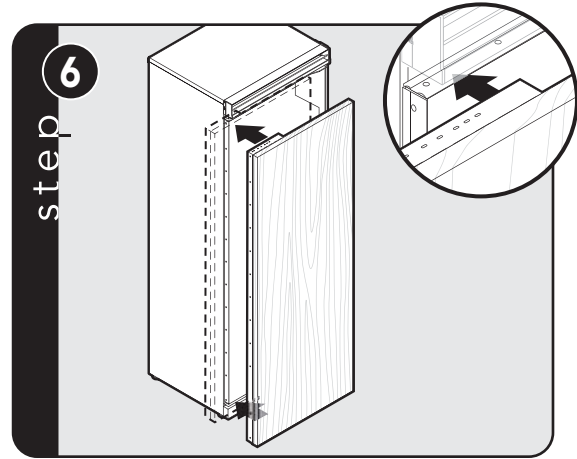


Measure and mark the first hole for each bracket.

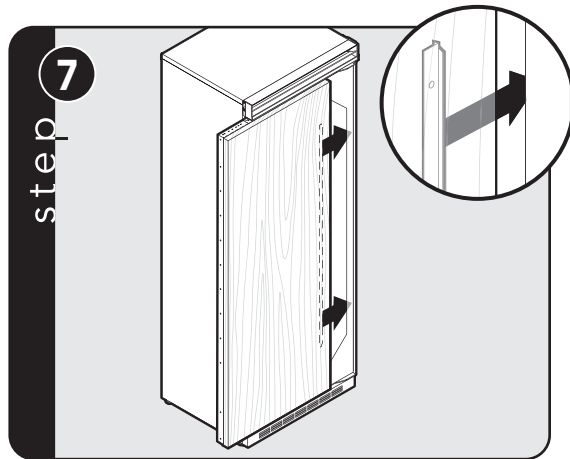
Custom Door Panel Installation (cont.)



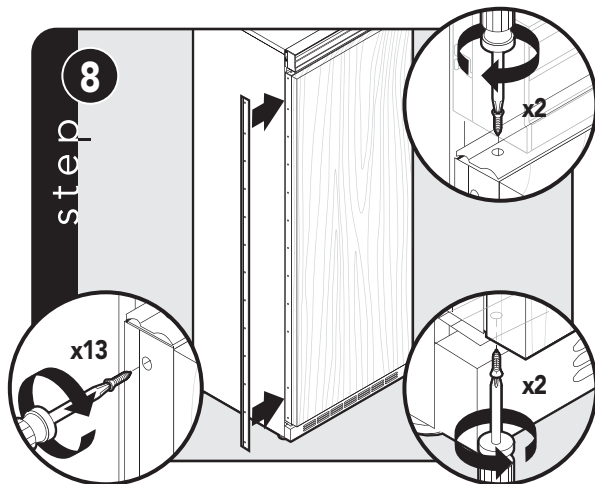
Attach "Z" bracket to the hinge side of custom panel.
Attach bracket to the handle side of custom panel.



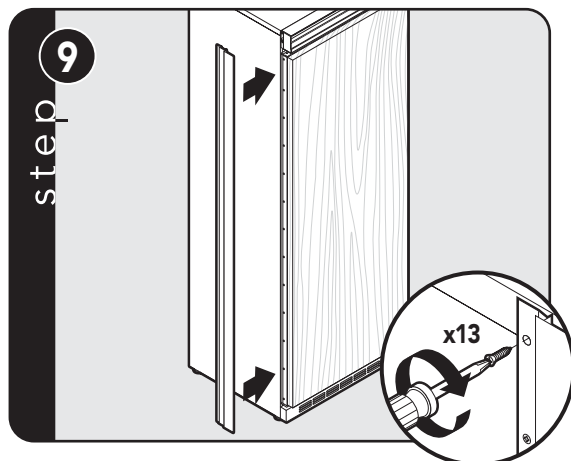
Push custom wood panel onto door.



Slide custom wood panel to the hinge side, ensuring
"Z" bracket engages the door bracket.

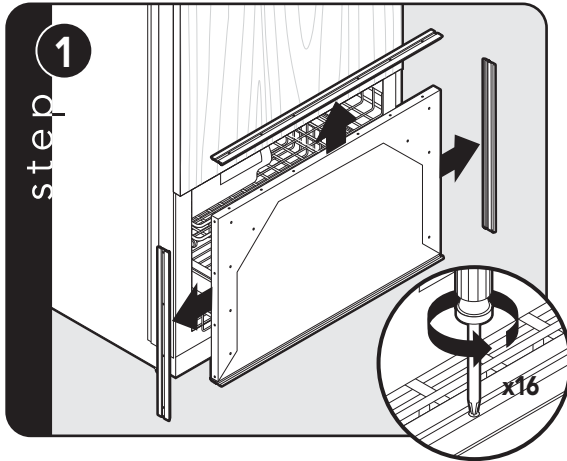


Reinstall handle side door trim
and door trim screws.

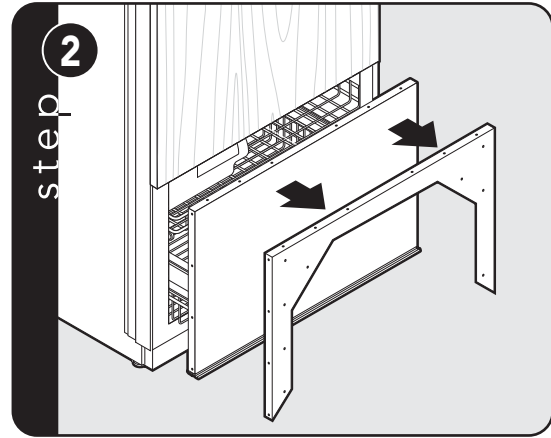


Reinstall cabinet trim and screws.

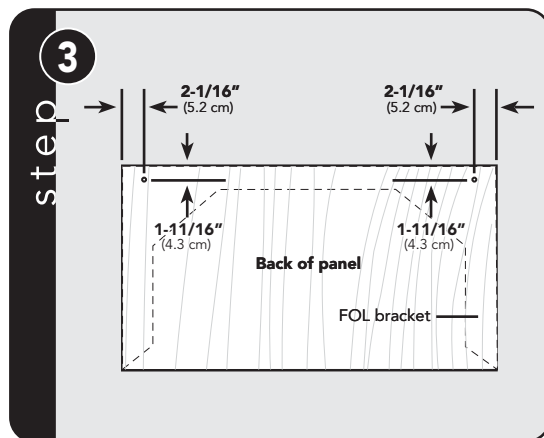
Custom Freezer Door Panel Installation (Bottom-Freezer cont.)



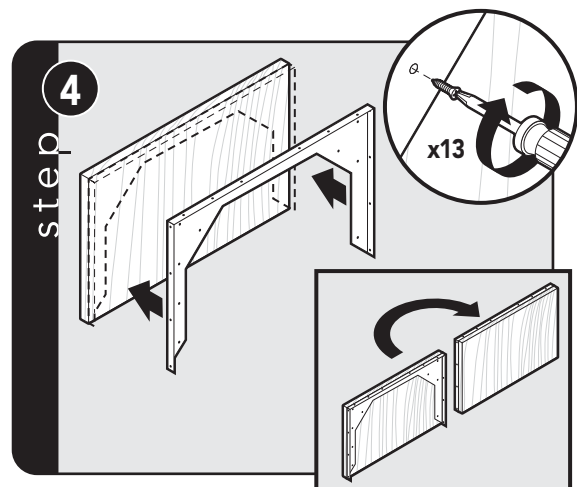
Open freezer door. Remove door trim screws and door trim with a phillips screwdriver.



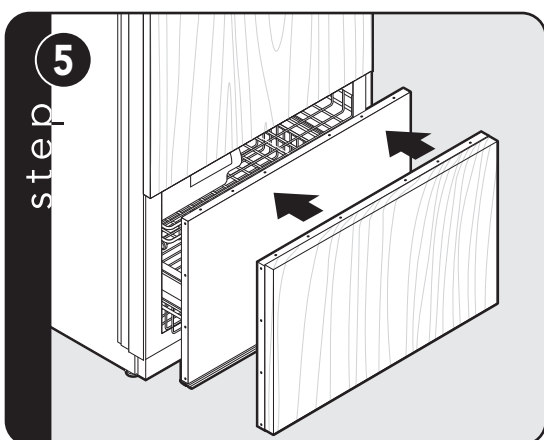
Remove bracket.



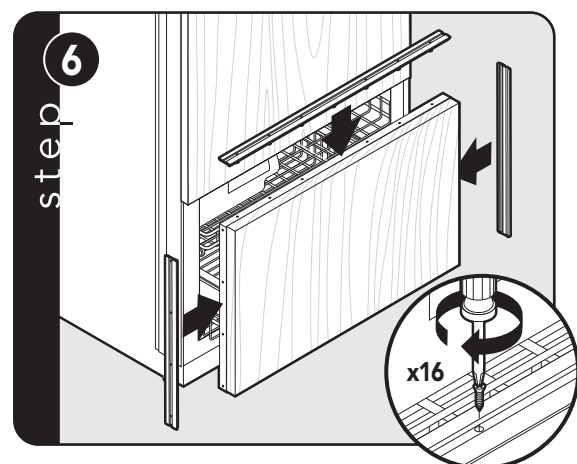
Measure and mark the first hole on each side of the bracket.



Attach bracket to the custom panel.

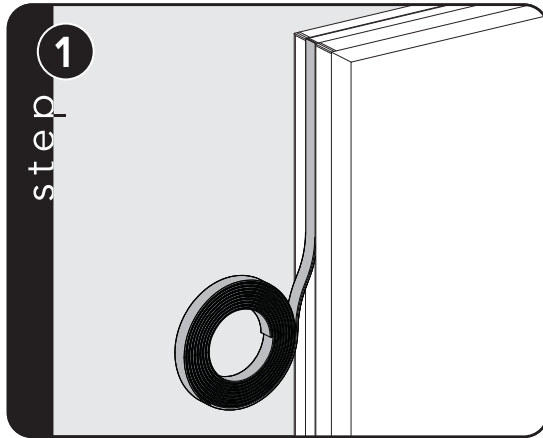


Align and slide custom wood panel onto door.



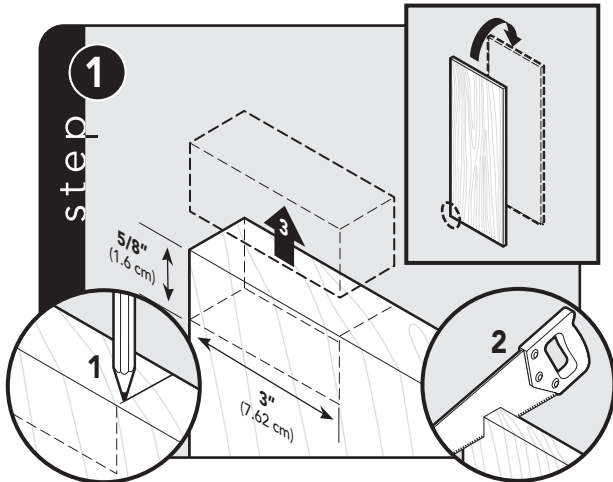
Reinstall door trim and door trim screws.

Install Door Trim Insert

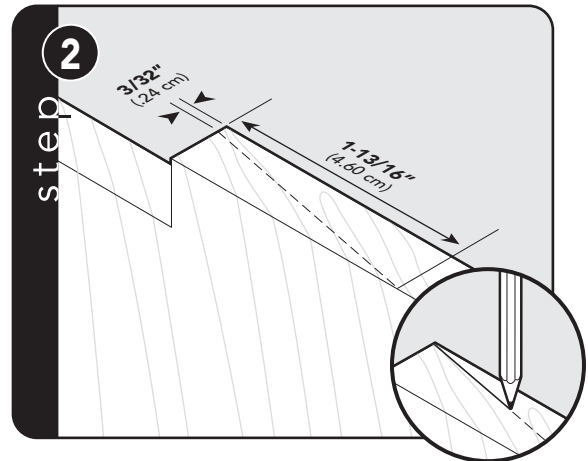


Use the roll of trim insert located in the drawer inside the unit to apply to the door trim.

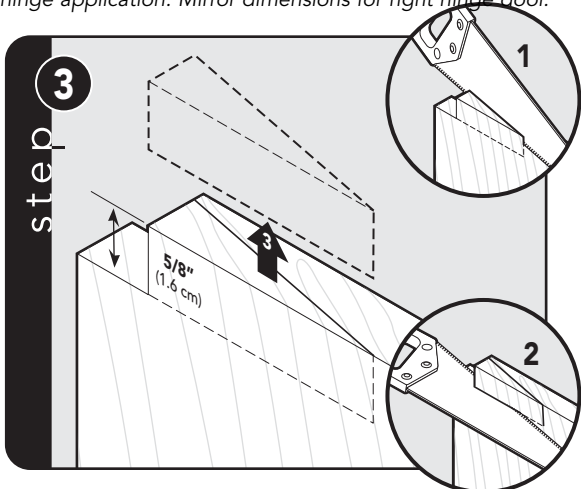
Bottom-Freezer Custom Panel Hinge Cutout (if required)



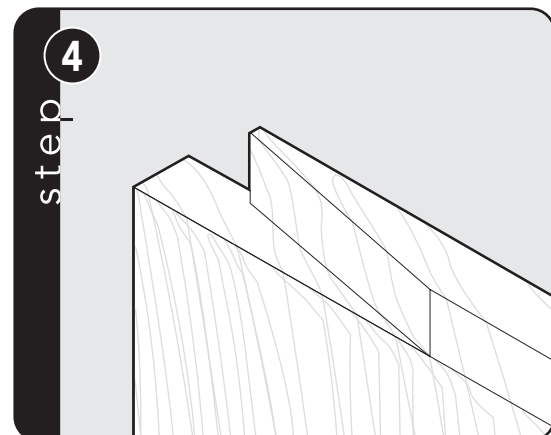
For a left hinge door, cut $5/8'' \times 3''$ in lower left corner.
Note: Steps show panel upside down and notched for left hinge application. Mirror dimensions for right hinge door.



Measure and cut $2-1/16''$ (5.2 cm) diagonal in lower left corner.

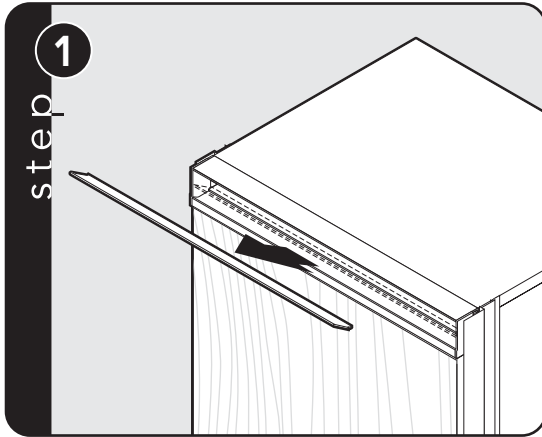


Cut out diagonal in lower left corner.

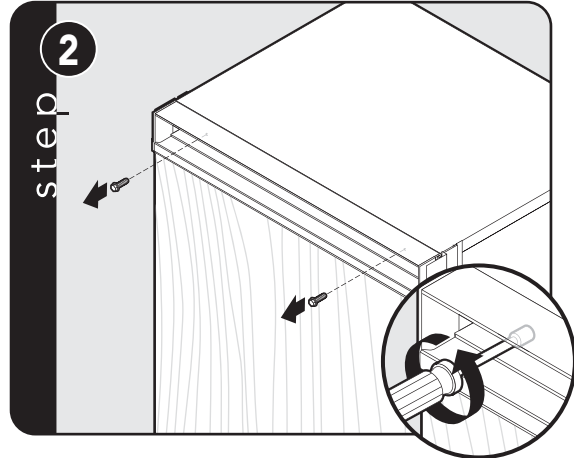


Final view of lower corner.

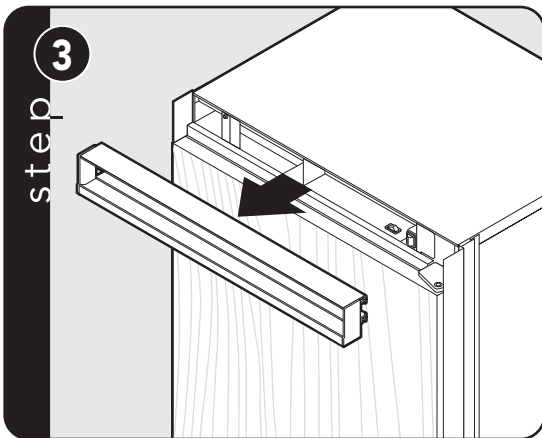
Custom Grille Installation



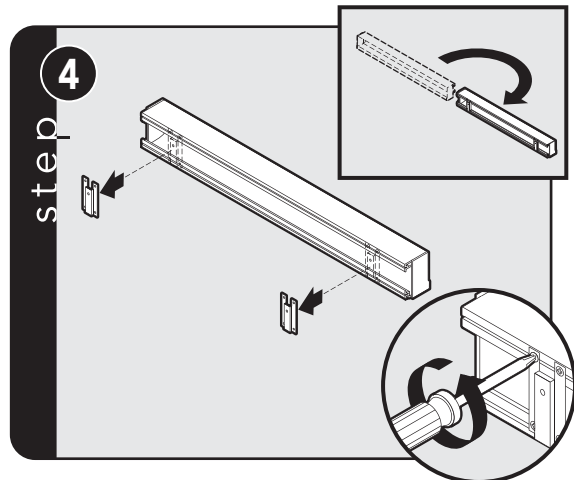
Remove air grille center blade.



Remove two 1/4" (0.6 cm) screws with a magnetic extended screwdriver at least 8" (20.3 cm) long.

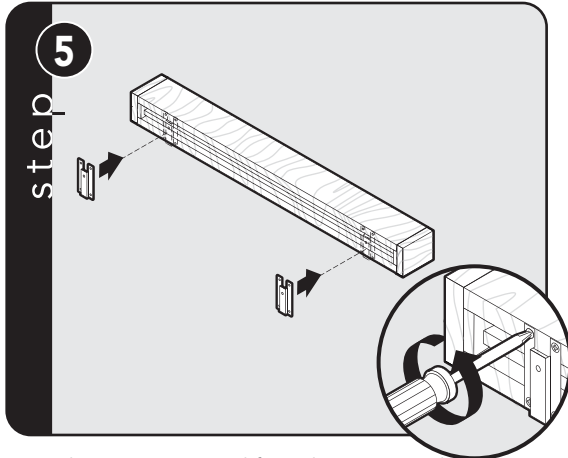


Pull air grille assembly forward.

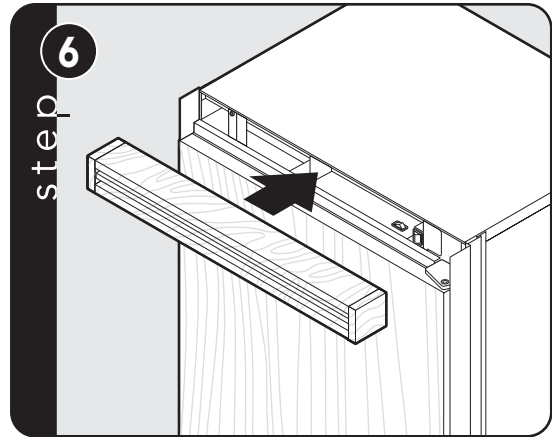


Remove 2 mounting brackets from the grille air assembly.

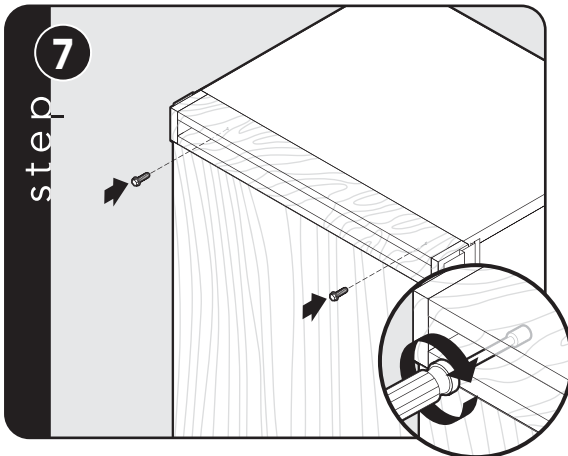
Custom Grille Installation (cont.)



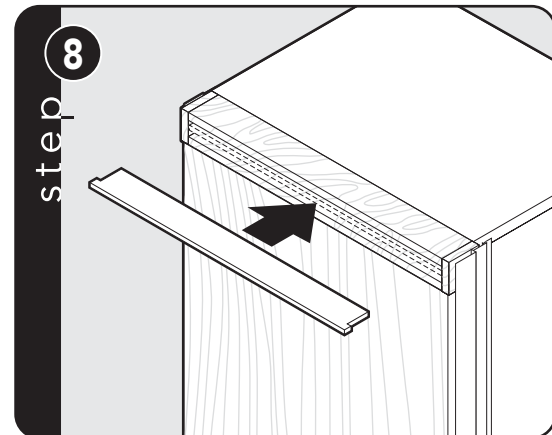
Using eight screws removed from the mounting brackets, attach mounting brackets to the custom wood grille using predrilled pilot holes. (See grille overlay specifications for proper alignment and pilot hole placement.)



Insert custom air grille assembly.



Install two 1/4" (0.6 cm) screws with a magnetic extended screwdriver at least 8" (20.3 cm) long.



Install custom air grille center blade.

General Information

Area Requirements

Verify the following:

- Unit can fit into residence and can be moved around corners and through doorways.
- Floors can support unit's weight plus food weight (approximately 1200 pounds [540 kg] per unit).
- Floors underneath refrigerator are level with surrounding finished floor.
- Rear wall is solid and is able to support two horizontally mounted 2 x 4s (included) bolted to two wall studs. The 2 x 4 board bolt heads must be flush with 2 x 4 to prevent obstruction.
- Remove anything attached to rear or side walls that can obstruct unit installation.
- Cutout dimensions are accurate.
- Electrical outlet is in correct location.
- Water line is in correct location.
- **DO NOT** install a refrigeration unit near a heat source, nor in a location where the surrounding temperature will fall below 60° F (16° C).

Electrical Requirements

It is the customer's responsibility to:

- Contact a qualified electrical installer.
- Assure that the electrical installation is adequate and in conformance with the National Electrical Code, ANSI/NFPA 70-latest edition or Canadian Electrical Code C22.1-1998 and C22.2 No. 0-M91 (or latest edition), and all local codes and ordinances.

A 115 volt, 60-Hz, 15 amp, fused, electrical supply is required. It is required that a separate circuit serving only this appliance be provided. This appliance is equipped with a power supply cord having a 3-prong grounding plug. To minimize possible shock hazard, the cord must be plugged into a mating 3-prong, grounding-type wall receptacle. **DO NOT use an extension cord.**

If codes permit a separate grounding wire to be used, it is recommended that a qualified electrician determine that the grounding path is adequate.

DO NOT ground to a gas line. Check with a qualified electrician if you are not sure if the appliance is properly grounded. **DO NOT** have a fuse in the neutral or grounding circuit.

Anti-Tip Requirements

The anti-tip boards should be fastened into position prior to moving the unit into the opening.

Note: Additional mounting boards may be required if the unit does not touch the back wall of the enclosure. To prevent unit from tipping forward, it must be secured in place with a solid soffit or wood block.

Water Supply Requirements

WARNING

To avoid serious illness or death, **DO NOT** use unit where water is microbiologically unsafe or of unknown quality, without adequate disinfection before or after the system. Systems certified for cyst reduction may be used on disinfected water that may contain filterable cysts. The contaminants or other substances removed or reduced by this water treatment system are not necessarily in your water.

Use only 1/4" (6 mm) copper tubing for water line. DO NOT install copper tubing in area where temperatures drop below 35° F (1.7° C). Before attaching copper tubing to the unit, flush at least 2 quarts (1.9 L) of water through the copper tubing and into a bucket to remove any particles in the water line.

- **AGA Marvel is not responsible for property damage due to improper installation or water connection.**
- Connect 1/4" (6 mm) flexible copper tubing to household plumbing in compliance with local codes and ordinances.
- Length of copper tubing must reach from water supply connection to the unit connection with an additional length to facilitate moving the unit out of enclosure for cleaning or service. Tubing should be soft instead of rigid and ends should be free of burrs.
- Copper tubing route must be above 35° F (1.7° C) to prevent water line from freezing.
- **DO NOT use plastic water lines from the household plumbing to the water inlet valve connection on the refrigeration unit.**

General Information

- **DO NOT** use the self-piercing feature of a saddle valve. The hole made by the piercing lance is too small for the water flow rate required by the ice maker.
- If saddle valve is not used, place a separate shut-off valve in an easily accessible location between water supply and the unit. **DO NOT** install shut-off valve behind the unit.
- The installation of appliances with a reverse osmosis system is acceptable **as long as the water pressure remains within the allowable PSI as stated below.** It is important to note that with many reverse osmosis systems, the pressure range starts off high, but then it decreases as the water level of the reverse osmosis storage area drops. This must be considered when checking the water pressure coming into the unit.
- Connect a vertical or horizontal 1/2" (1.2 cm) to 1-1/4" (3.2 cm) COLD water line near water area.
- Run water line through the floor, back, or side wall. Tubing should lay flat on floor underneath the unit. Clamp tubing to wall or floor.
- Water pressure must be greater than 20 psi and less than 120 psi on non-dispensers and greater than 35 psi and less than 120 psi on dispensers.

- Most of the unit's weight is at the top. Extra care is needed when moving the unit to prevent tipping.
- **DO NOT** remove protective film until unit is in operating position.
- All four leveling legs must make contact with the floor to support and stabilize the full weight.
- **DO NOT** drop unit.
- Remove exterior shipping materials prior to moving unit into home.
- Use two or more people to move and install unit. Failure to follow this instruction can result in back or other injury.
- To avoid personal injury, wear gloves when performing any installation procedure and wear eye protection when cutting metal straps.

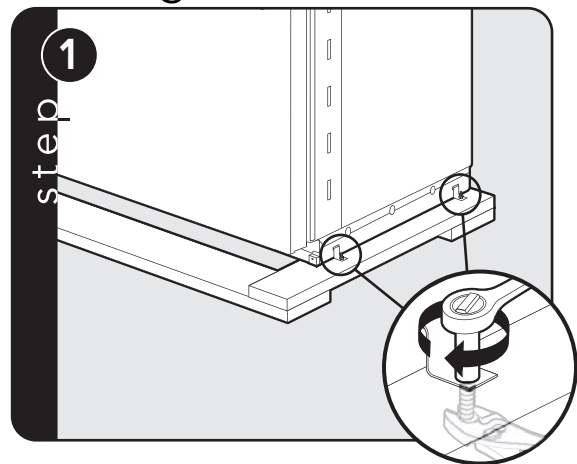
Tip Over Hazard

Appliance is top heavy and tips easily when not completely installed. Keep doors closed until appliance is completely installed and secured per installation instructions. Use two or more people to move and install the appliance. Failure to do so can result in death or serious injury.

Unpacking unit

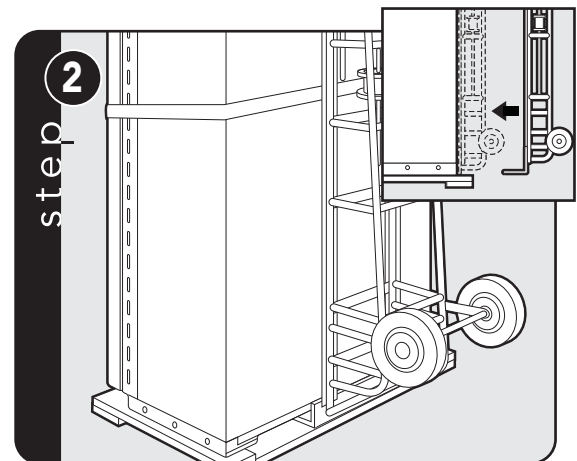
1. Remove top and bottom strap.
2. Remove top cap.
3. Cut rear of carton approximately 1/4" (0.6 cm) to 1" (2.5 cm) from right corner with a utility knife extended 1/4" (0.6 cm).
4. Remove carton and exterior packaging. Save cardboard shipping material to protect floor surface when installing unit. Remove anti-tip board, kickplate and door trim pieces (DF models) from rear of unit.

Moving Unit



Remove shipping brackets from skid by removing four bolts (two on each side) with a 1/2" deep-well socket wrench and a pair of pliers.

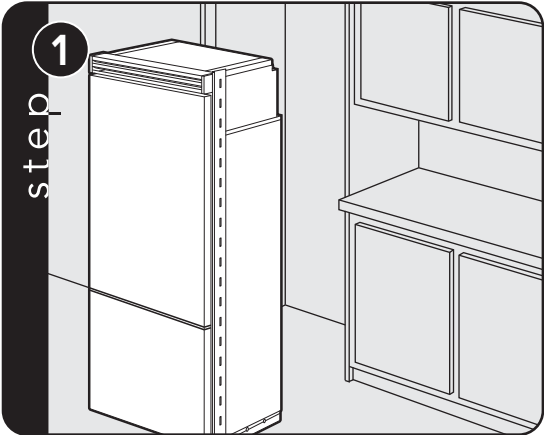
Note: Tilting unit is not required to remove shipping brackets.



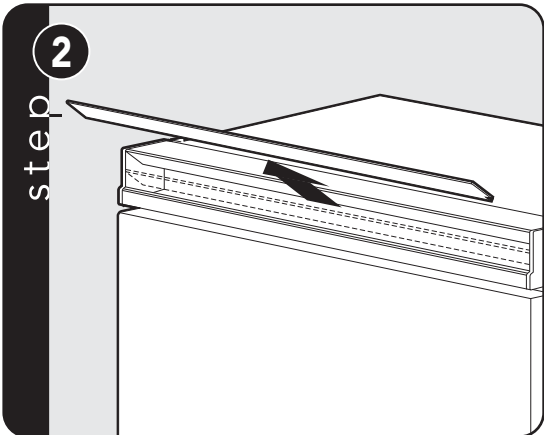
Slip cart between unit and skid. Remove unit from skid.

Note: Use excess packaging to protect decorative trim; also, verify that leveling legs are up (0" adjustment).

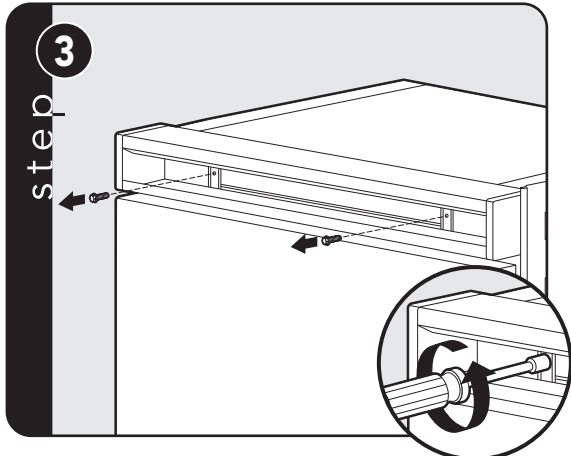
Installation



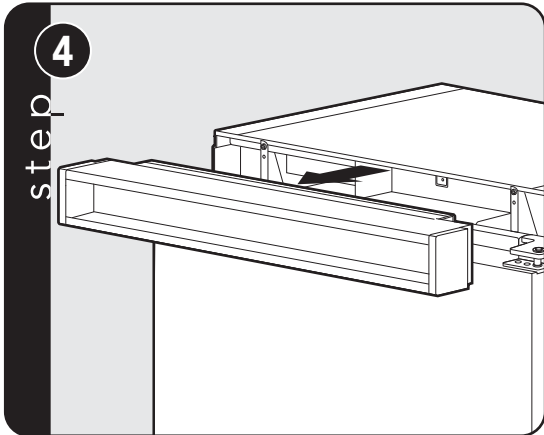
Place unit in front of cutout.



Pull the center grille louver up at an angle and pull out.

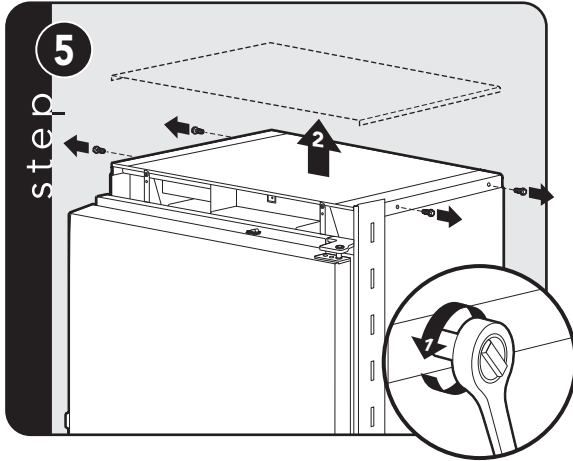


Using an 8" (20.3 cm) magnetic nut driver, remove the two 1/4" (0.6 cm) screws.

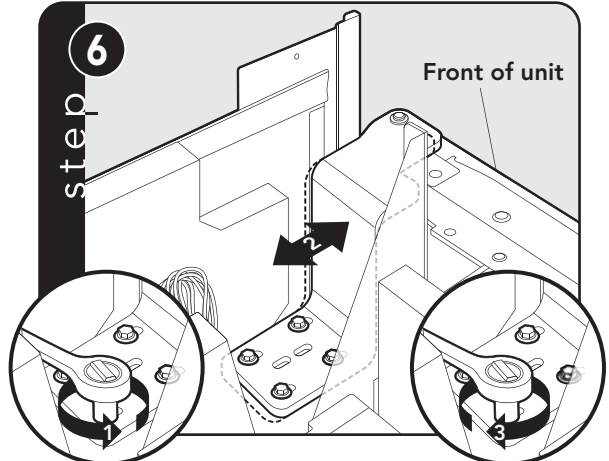


Remove grille assembly.

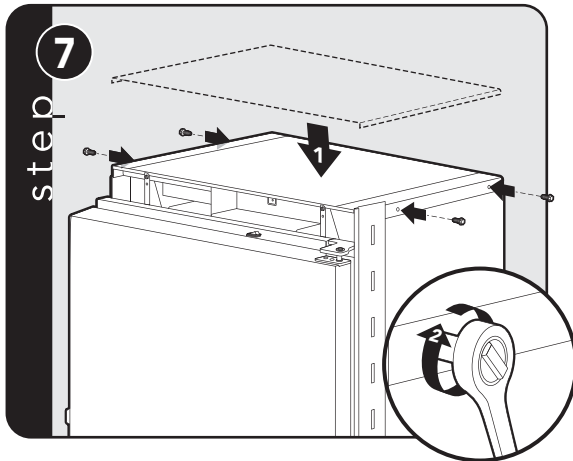
Hinge Adjustment



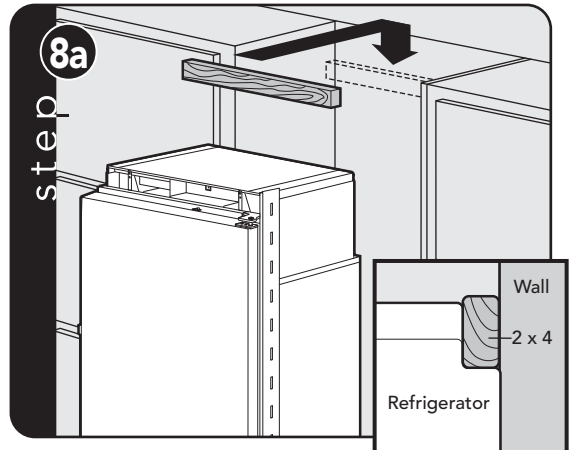
Remove four side screws and remove unit top.



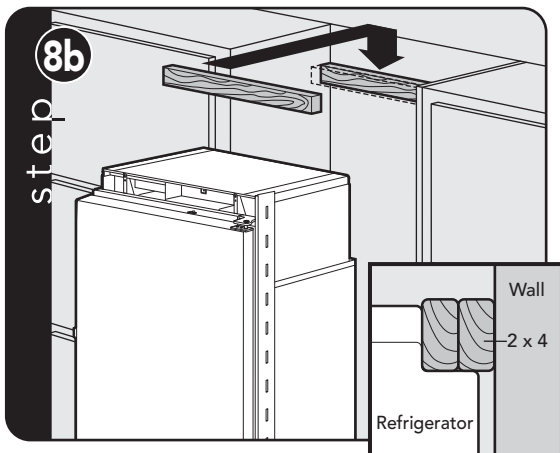
Loosen the four hinge screws. Adjust door.
Retighten four hinge screws.



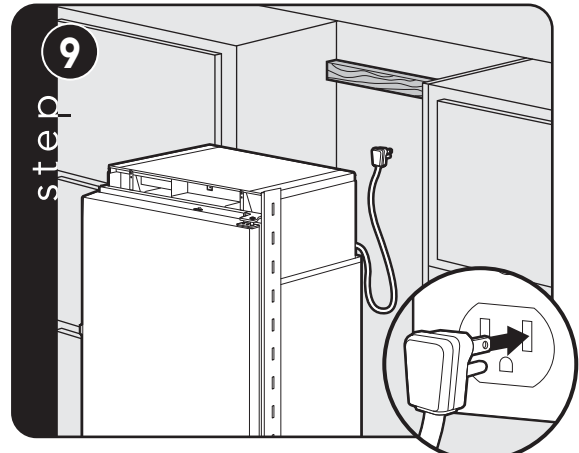
Replace unit top and four side screws.



Attach one 2 x 4 to wall stud (refer to dimensions page for exact location).

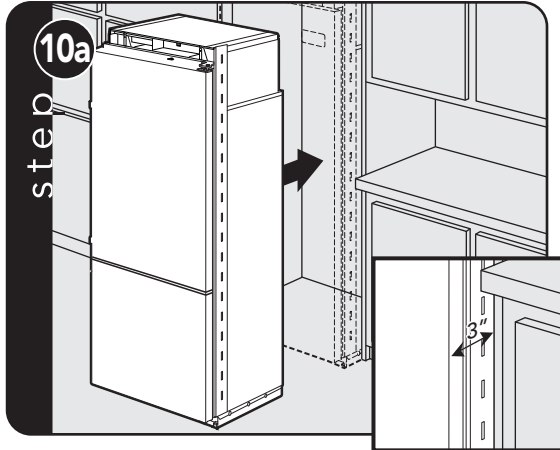


If needed, depending on cabinet and depth, attach second 2 x 4 to first 2 x 4.

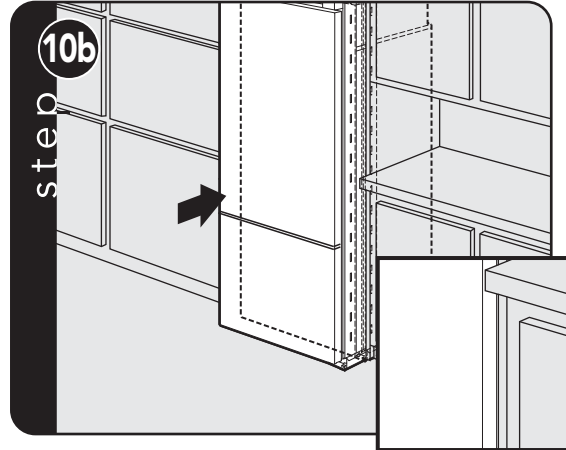


Plug in power cord to verify operation.
Note: Make sure power switch is in the "On" position.

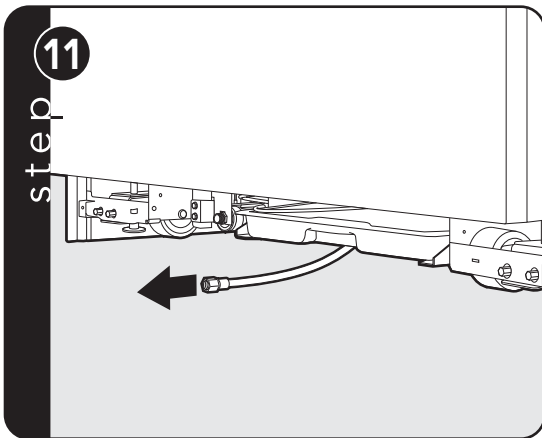
Installation (cont.)



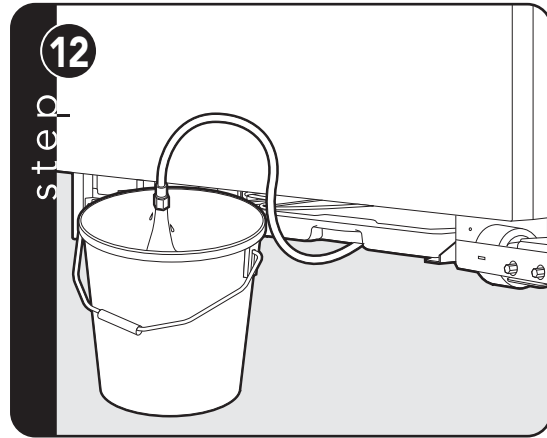
Place unit within 3" of being flush with cabinets. **Note:** To avoid cabinet damage, place cardboard between cabinets and unit. When moving unit, **DO NOT** crimp, kink or crush water supply line.



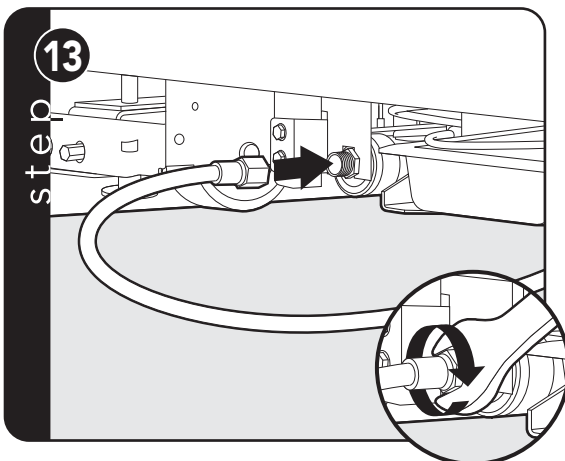
Carefully move unit until semi flush with cabinet (depending on unit).



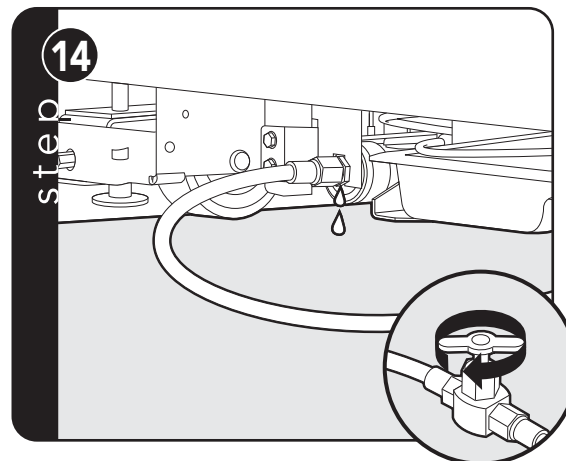
Pull supply tubing forward under unit. **Note:** **DO NOT** use plastic water lines.



Flush water line by running two quarts of water into a bucket. Turn water off

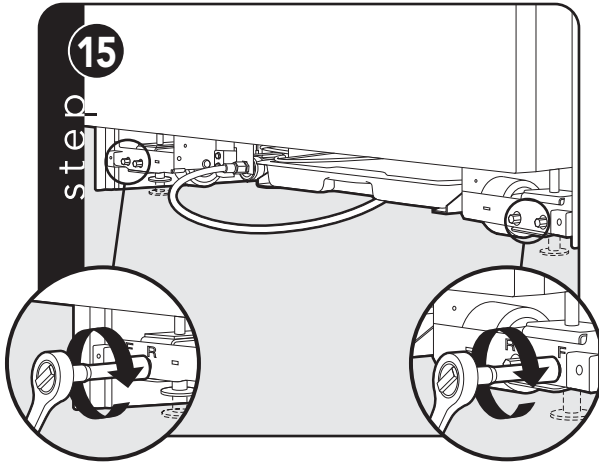


Connect supply tube to water valve using a 1/2" (1.3 cm) wrench. **Note:** **DO NOT** overtighten.



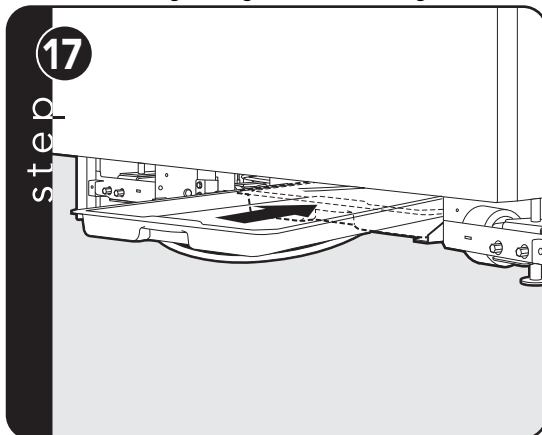
Turn on water supply and check for leaks.

Hinge Adjustment (cont.)

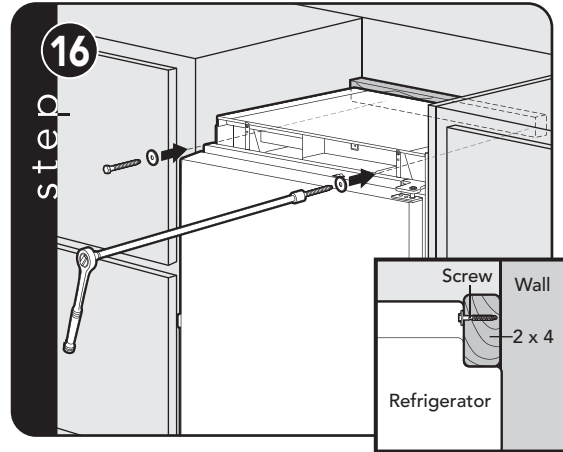


Lift unit off rollers to desired height and level unit using a 5/16" head wrench.

Note: DO NOT use an electric device.
Overtightening can cause damage.

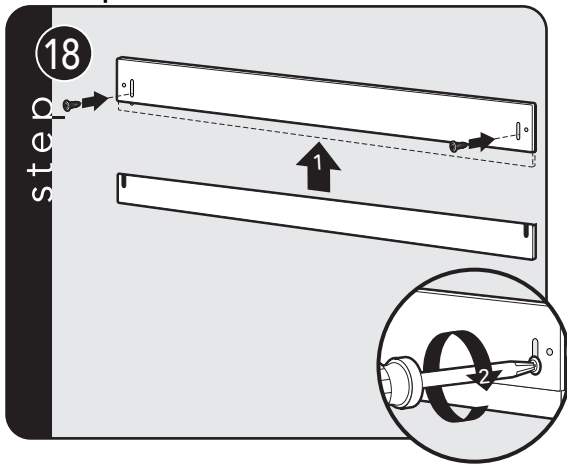


Verify that drain pan is installed and aligned.

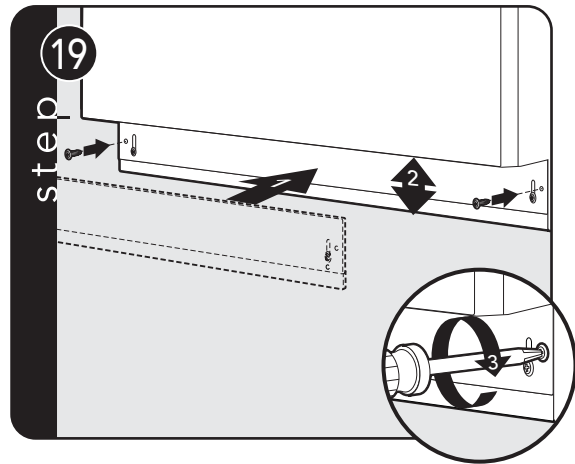


Attach positive secure self-tapping bolts to 2 x 4 using a 22" (55.6 cm) extension.

Kickplate Installation

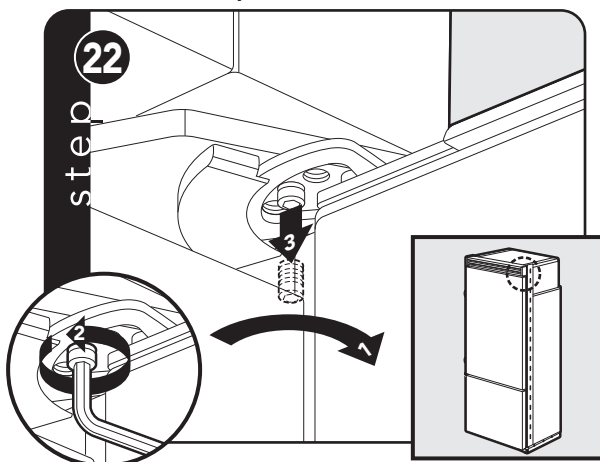


Align holes on both ends of louvered panels and insert screws.



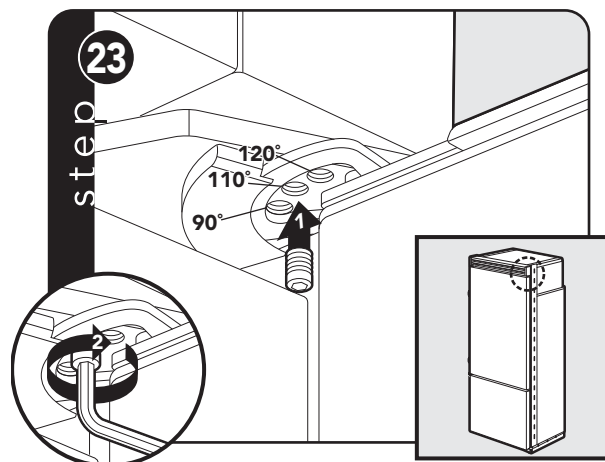
Using a phillips screwdriver, attach the kickplate to the unit and adjust to desired height.

Door Stop Adjustment (Bottom-Freezer)



Open refrigerator door so door stop and shoulder screw are accessible.

Note: Shoulder screw should be in 110° door opening position.



Remove shoulder screw and place in 90° or 120° position.

Water Filter System Specification and Performance Data Sheet

This system has been tested according to NSF/ANSI 42/53 for reduction of the substances listed below. The concentration of the indicated substances in water entering the system was reduced to a concentration of less than or equal to the permissible limit for water leaving the system, as specified in NSF/ANSI 42/53.* (100% safety factors built-in for unmetred usage for health claims only.)

Contaminant Reduction	Average Influent	NSF Specified Challenge Concentration	Avg % Reduction	Average Product Water Concentration	Max Permissible Product Water Concentration	NSF Reduction Requirements	NSF Test Report
Chlorine Taste and Odor	2.0 mg/L	2.0 mg/L \pm 10%	97.5%	0.05 mg/L	N/A	\geq 50%	J-00056501
Nominal Particulate Class I, \geq 0.5 to < 1.0 μ m	13,666,667 pts/mL	At least 10,000 particles/mL	98.9%	143,333 pts/mL	N/A	\geq 85%	J-00056506
Asbestos	96 MF/L	10 ⁷ to 10 ⁸ fibers/L; fibers greater than 10 μ m in length	>99%	<1 MF/L	N/A	\geq 99%	J-00056511
Atrazine	0.010 mg/L	0.009 mg/L \pm 10%	89.3%	0.001 mg/L	0.003 mg/L	N/A	J-00056512
Cyst*	122,500 cysts/L	Minimum 50,000 cysts/L	99.99%	1 cyst/L	N/A	\geq 99.95%	J-00056513
Lead @ pH 6.5	0.153 mg/L	0.15 mg/L \pm 10%	99.3%	0.001 mg/L	0.010 mg/L	N/A	J-00056515
Lead @ pH 8.5	0.150 mg/L	0.15 mg/L \pm 10%	99.3%	0.001 mg/L	0.010 mg/L	N/A	J-00058784
Lindane	0.002 mg/L	0.002 mg/L \pm 10%	97.8%	0.00004 mg/L	0.0002 mg/L	N/A	J-00058969
Mercury @ pH 6.5	0.006 mg/L	0.006 mg/L \pm 10%	95.0%	0.0003 mg/L	0.002 mg/L	N/A	J-00058785
Mercury @ pH 8.5	0.006 mg/L	0.006 mg/L \pm 10%	88%	0.0007 mg/L	0.002 mg/L	N/A	J-00058783
Toxaphene	0.015 mg/L	0.015 mg/L \pm 10%	93.2%	0.001 mg/L	0.003 mg/L	N/A	J-00056531
Turbidity	10.8 NTU	11 \pm 1 NTU	98.7%	0.153 NTU	0.5 NTU	N/A	J-00058972

*Based on the use of Cryptosporidium parvum oocysts

Operating Specifications

Capacity:	Certified for up to 750 gallons (2,838 L); up to nine months
Pressure Requirement:	20 - 120 psi (1.4 - 8.2 bar)
Temperature:	33-100°F (0.6 - 37.8°C)
Flow rate:	0.78 gpm (2.9 l/min.)

Check for compliance with the state and local laws and regulations.

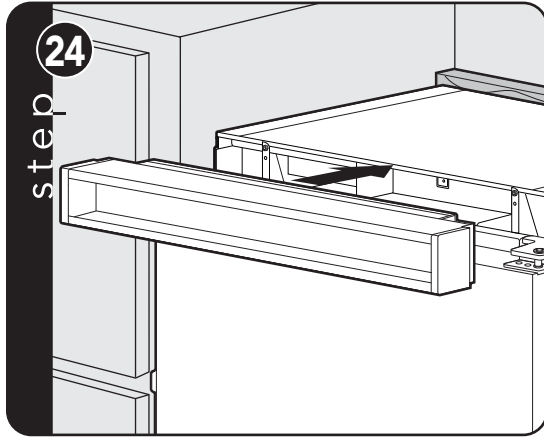
Note: While the testing was performed under standard laboratory conditions, actual performance may vary. Must be installed and operated in accordance with manufacturer's recommended procedures and guidelines. Installation instructions, parts and service availability, and standard warranty are included with the product when shipped. This drinking water system must be maintained according to manufacturer's instruction, including replacement of filter cartridges.

Manufactured by: 3M Purification Inc.
400 Research Parkway
Meriden, CT 06770

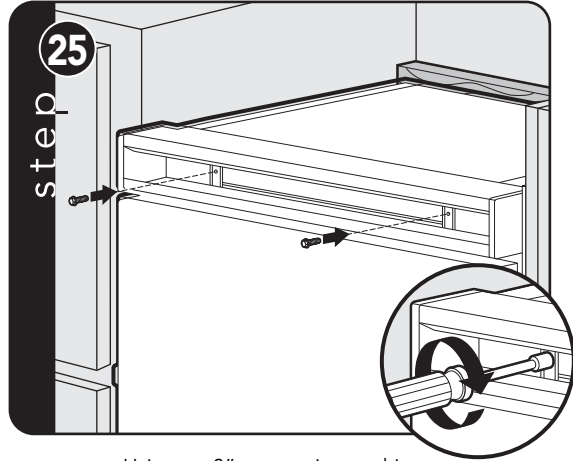
System tested and certified by NSF International against Standard 42 for the reduction of chlorine taste and odor, particulate Class I and Standard 53 for the reduction of Lead, Lindane, Atrazine, Mercury, Toxaphene, Cyst, Turbidity, and Abestos.



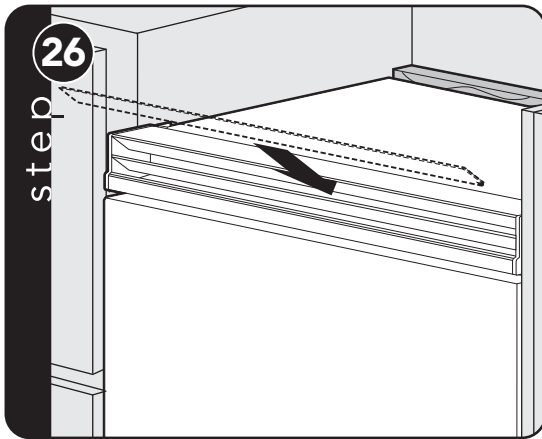
Final Installation



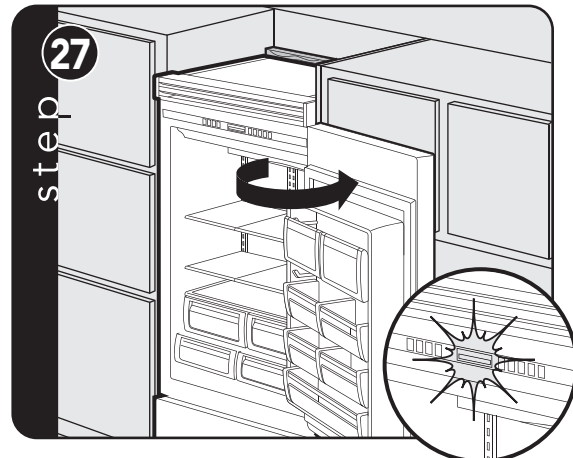
Replace top air grille.



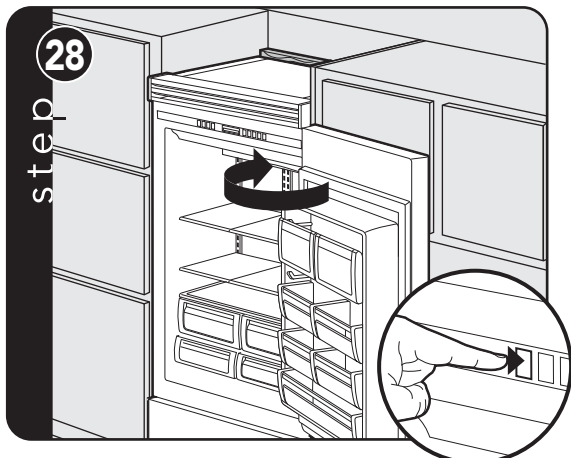
Using an 8" magnetic nut driver, replace the two 1/4" screws.



Replace the center grille louver.



Open door. The display should flash.



Press "ACTIVATE CONTROLS" pad and close door.

Note: There is a 6 minute delay before the unit starts.

Performance Checklist

- Verify cabinet size.
- Verify electrical supply and water supply (if applicable).
- Install anti-tip device(s) and verify unit is secure.
- Position unit in cutout, level at desired height and secure unit.
- Plug-in unit and verify operation.
- Connect water supply (if applicable).
 - Verify icemaker fill tube is properly inserted.
 - Verify icemaker bail arm is down.
 - Verify dispenser operation (if applicable).

- Align/square door(s).
- Verify drain pan is properly installed and there are no leaks on water connection.
- Install kickplate.
- Remove internal packaging and labels and wipe unit down.

Installer's information:

Installer's name: _____

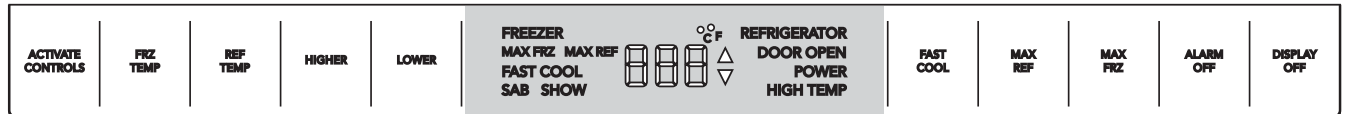
Installer's company: _____

Date: _____

Verify Operations

Control Panels

Bottom-Freezer



1. Press "Activate Controls" pad.

2. Verify unit is not in Sabbath Mode.

If in Sabbath Mode:

A. The Sabbath Mode will disable the interior lights, display (except SAB indicator, temperature and compartment indicator) and alarm.

To exit the Sabbath Mode:

B. Press and hold "Activate Controls" and then "Display Off" for 3 seconds. (The control will beep three times to alert the user the Sabbath Mode has been exited.)

3. Verify unit is not in Showroom Mode.

If in Showroom Mode:

A. The Showroom Mode will disable the refrigerator system but all other functions are normal. These include lights and control. (If the refrigerator is in Showroom Mode, SHOW will be lit.)

To exit Showroom Mode:

B. Press and hold "Activate Controls"; while holding, press and hold "Higher" and "Alarm Off" together. (The control will beep three times to alert the user that Showroom Mode has been exited.)

4. Press "Activate Controls" then press and hold "Lower"; while holding, press and hold "Display Off" and hold until beeps (force start compressor).

5. All models need to be set at 38° F and 0° F for the Refrigerator and Freezer respectfully - factory setting.

Service & Registration

If service is required, call your authorized service agency.

Have the following information readily available.

- Model number
- Serial number
- Date purchased
- Name of dealer from whom purchased

Clearly describe the problem that you are having. If you are unable to obtain the name of an authorized service agency, or if you continue to have service problems, 1-888-845-464, or write to:

PREFERRED SERVICE
111 Front Street
Greenwood, MS 38930

Record the following information indicated below. You will need it if service is ever required.

The serial number and model number for your appliance are located on the identification plate mounted on the bottom left side of the door opening.

Model No. _____

Serial No. _____

Date of Purchase _____

Date Installed _____

Dealer's Name _____

Address _____

If service requires installation of parts, use only authorized parts to insure protection under the warranty.

Keep this manual for future reference.

AGA Marvel
1260 E. VanDeinse St.
Greenville, MI 48838

For product information,

call 1-800-223-3900

or visit our web site at www.agamarvel.com



Guide d'Installation

Réfrigérateur/
Congélateur
Monté au bas
(Panneau
Personnalisé)

MP36BF2



Table des matières

Avertissements et informations importantes	3
Dimensions et caractéristiques (36 po (91,5 cm))	5
Dimensions de découpe (36 po (91,5 cm))	7
Dimensions de la planche anti-basculement (36 po (91,5 cm))	8
Dimensions du panneau superposé (36 po (91,5 cm))	9
Dimensions de la grille personnalisée (36 po (91,5 cm))	10
Informations sur les placards	12
Dimensions du panneau latéral personnalisé	13
Informations générales relatives au panneau personnalisé	14
Installation du panneau de porte personnalisé	14
Garniture de porte	17
Découpe de la charnière du panneau personnalisé	17
Installation de la grille personnalisée	18
Informations générales	20
Déballage et déplacement	22
Installation	22
Réglage de la charnière	23
Installation du garde-pieds	26
Réglage de la butée de porte	26
Caractéristiques du filtre à eau	27
Installation finale	28
Liste de contrôle de performance	29
Panneaux de commande	30
Service après-vente et enregistrement	31

IMPORTANT – Lisez et suivez ces instructions

- Assurez-vous que la tension d'alimentation correspond à la valeur nominale de l'appareil. Une plaque des valeurs nominales électriques spécifiant la tension, la fréquence, la puissance, l'intensité et les phases est attachée au produit.
- Pour réduire le risque d'incendie, d'électrocution et de blessure, le travail d'installation et de câblage électrique doit être confié à un technicien qualifié, conformément à tous les codes et normes applicables, y compris les constructions cotées pour leur résistance au feu.
- L'installateur devra laisser ces instructions au consommateur, qui devra les conserver pour pouvoir les présenter à un inspecteur local ou pour s'y référer ultérieurement.

Vous avez pour responsabilité :

- la conformité aux caractéristiques techniques et aux dimensions d'installation ;
- l'installation correcte de l'appareil ;
- le retrait de toutes les moulures et tous les panneaux décoratifs qui empêchent la maintenance de l'appareil ;
- la vérification que vous disposez de ces matériels (non fournis avec votre appareil), qui sont nécessaires pour une installation correcte :
 - tube en cuivre de 1/4 po (6 mm) avec robinet d'arrêt
 - 6 vis à bois #8 x 3 po (7,6 cm) (des vis plus longues pourront être requises)
 - 1 robinet-vanne à étrier (**N'UTILISEZ PAS** la fonction d'auto-perçage du robinet)
- l'assurance que le sol supportera l'appareil, les panneaux de porte et le contenu d'environ 1 200 livres (540 kg environ) ;
- la disponibilité d'une prise électrique de terre ;
- l'assurance que l'emplacement permettra l'ouverture des portes de 90° minimum.

Votre sécurité et celle des autres est très importante.

De nombreuses consignes de sécurité importantes figurent dans ce manuel et sur votre appareil. **LISEZ** et respectez toujours ces consignes.



C'est le symbole d'alerte de sécurité. Ce symbole vous alerte concernant les dangers qui peuvent tuer ou blesser tant vous que les autres.

Toutes les consignes de sécurité sont précédées du symbole et du mot « DANGER » ou « AVERTISSEMENT ». Ces mots ont la signification suivante :

! DANGER

Dangers ou pratiques dangereuses qui AURONT pour résultat des blessures graves ou la mort

! AVERTISSEMENT

Dangers ou pratiques dangereuses qui POURRAIENT avoir pour résultat des blessures graves ou la mort

Tous les messages de sécurité identifieront le danger, indiqueront comment réduire le risque de blessure, ainsi que les conséquences si ces consignes ne sont pas suivies.

IMPORTANT – Lisez et suivez ces instructions !

Un disjoncteur de fuite de terre devra être employé si la norme NFPA 70 (NEC), les réglementations fédérales, de l'état, provinciales ou locales, ou les décrets locaux l'exigent.

- Un disjoncteur de fuite de terre peut être exigé selon l'emplacement d'une prise électrique par rapport aux sources significatives d'eau ou d'humidité.
- Viking Range Corporation ne garantit PAS les problèmes qui résultent des prises protégées par un disjoncteur de fuite de terre qui ne sont pas convenablement installées ou qui ne répondent pas aux exigences ci-dessous.

Si l'usage d'un disjoncteur de fuite de terre est exigé, il devrait être :

- Du type prise (le type disjoncteur ou portatif n'est PAS recommandé)
- Employé avec un câblage permanent seulement (un câblage temporaire ou portatif n'est PAS recommandé)
- Installé sur un circuit distinct (sans autre prise, interrupteur ou charge sur le même circuit)
- Connecté à un disjoncteur standard de la taille adéquate (un disjoncteur de fuite de terre de la même taille n'est PAS recommandé)
- Certifié pour les appareils de Classe A (courant de déclenchement de 5 mA +/- 1 mA) conformément à la norme UL 943
- En bon état, avec des joints parfaitement ajustés (dans le cas d'une installation extérieure)
- Protégé contre l'humidité (l'eau, la vapeur, l'humidité élevée) autant que raisonnablement possible

⚠ AVERTISSEMENT



RISQUE DE BASCULEMENT
L'appareil est lourd dans sa partie supérieure et bascule facilement s'il n'est pas complètement installé. Laissez les portes fermées jusqu'à ce que l'appareil soit complètement installé et fixé en place, conformément aux instructions d'installation.

Prenez-y-vous à deux ou plus personnes pour déplacer ou installer l'appareil. La négligence de suivre cette consigne risque de causer la mort ou une blessure grave.

⚠ AVERTISSEMENT

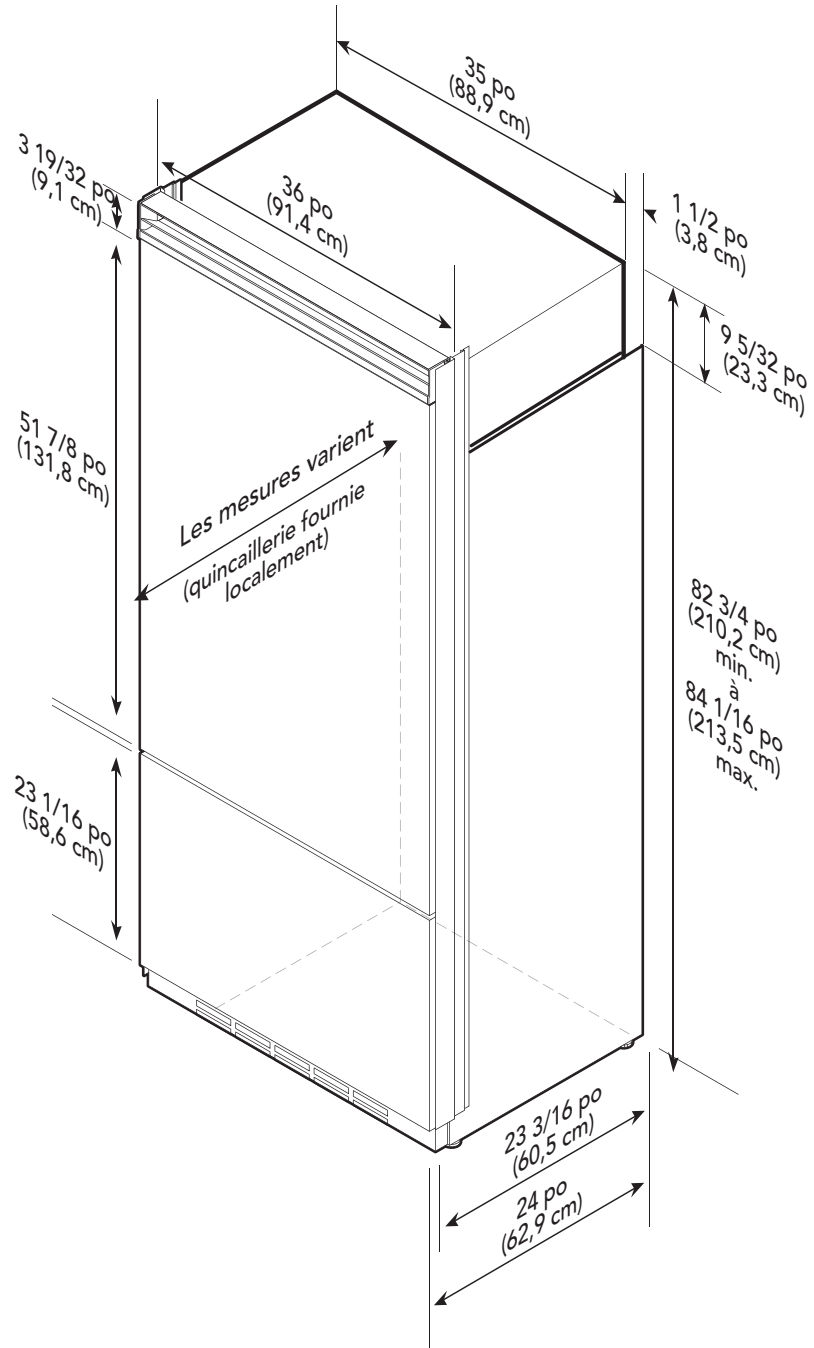


RISQUE D'ÉLECTROCUTION
Débranchez le cordon d'alimentation et tournez l'interrupteur d'alimentation à la position d'arrêt (OFF) à l'avant de la grille supérieure. La négligence de suivre cette consigne peut causer la mort ou l'électrocution.

L'essentiel du poids de l'appareil se situe en haut. Faites très attention lors du déplacement de l'appareil pour l'empêcher de basculer. Placez un carton ou un contreplaqué sous l'appareil jusqu'à ce qu'il soit installé à sa position finale d'utilisation pour protéger les sols.

Dimensions

36 po (91,5 cm) Congélateur monté au bas

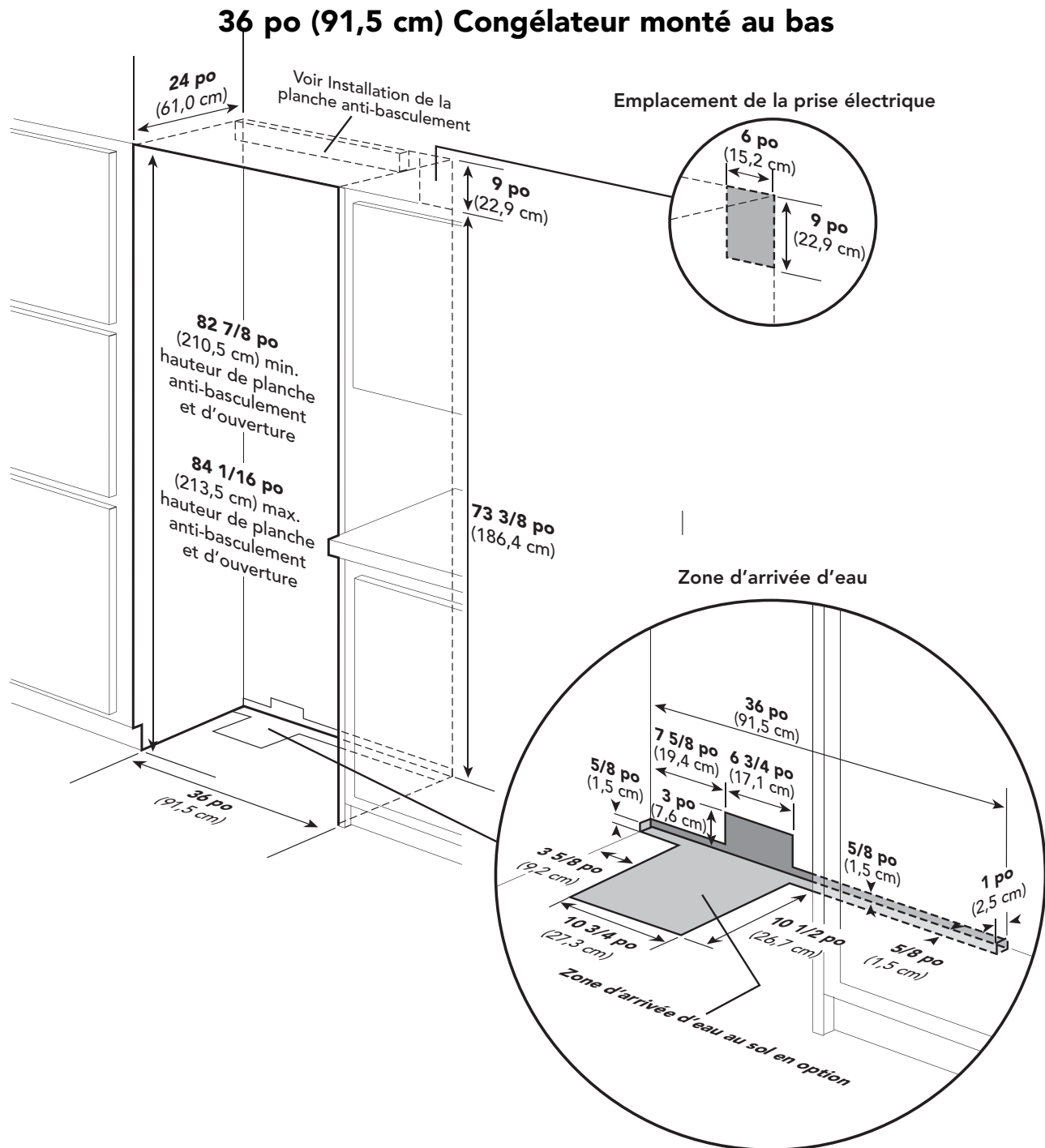


Spécifications

36 po (91,5 cm) Congélateur monté au bas	
Description	MP36BF2
Largeur totale	36 po (91,5 cm)
Hauteur totale à partir du bas	82 3/4 po (210,2 cm) min. à 84 1/16 po (213,5 cm) max.
Profondeur totale de l'arrière	Au bord avant de la garniture latérale : 23 13/16 po (60,5 cm) Au bord avant de la grille supérieure : 24 po (61,0 cm)
Largeur de découpe	36 po (91,5 cm)
Hauteur de découpe	82 7/8 po (210,5 cm) min. à 84 1/16 po (213,5 cm) max.
Profondeur de découpe	24 po (61,0 cm) min.*
Exigences électriques	Circuit dédié de 115 V, 60 Hz, 15 A; cordon à 3 fils avec fiche de terre (3 lames) attachée
Consommation maximum	9,9 A
Exigences d'arrivée d'eau	Conduite d'eau d'entrée en cuivre de 1/4 po (0,6 cm); 20 lb/po ² (1,4 bar) minimum; 120 lb/po ² (8,3 bar) maximum
Dimensions intérieures totales	
Réfrigérateur	15,3 pi ³ (434 litres)
Congélateur	5,1 pi ³ (145 litres)
Capacité totale	20,4 pi ³ (579 litres)
Poids maximum du panneau	Aliments frais 45 lb (20,4 kg) Congélateur 20 lb (9,0 kg)
Poids d'embarquement approximatif	500 lb (227,3 kg)

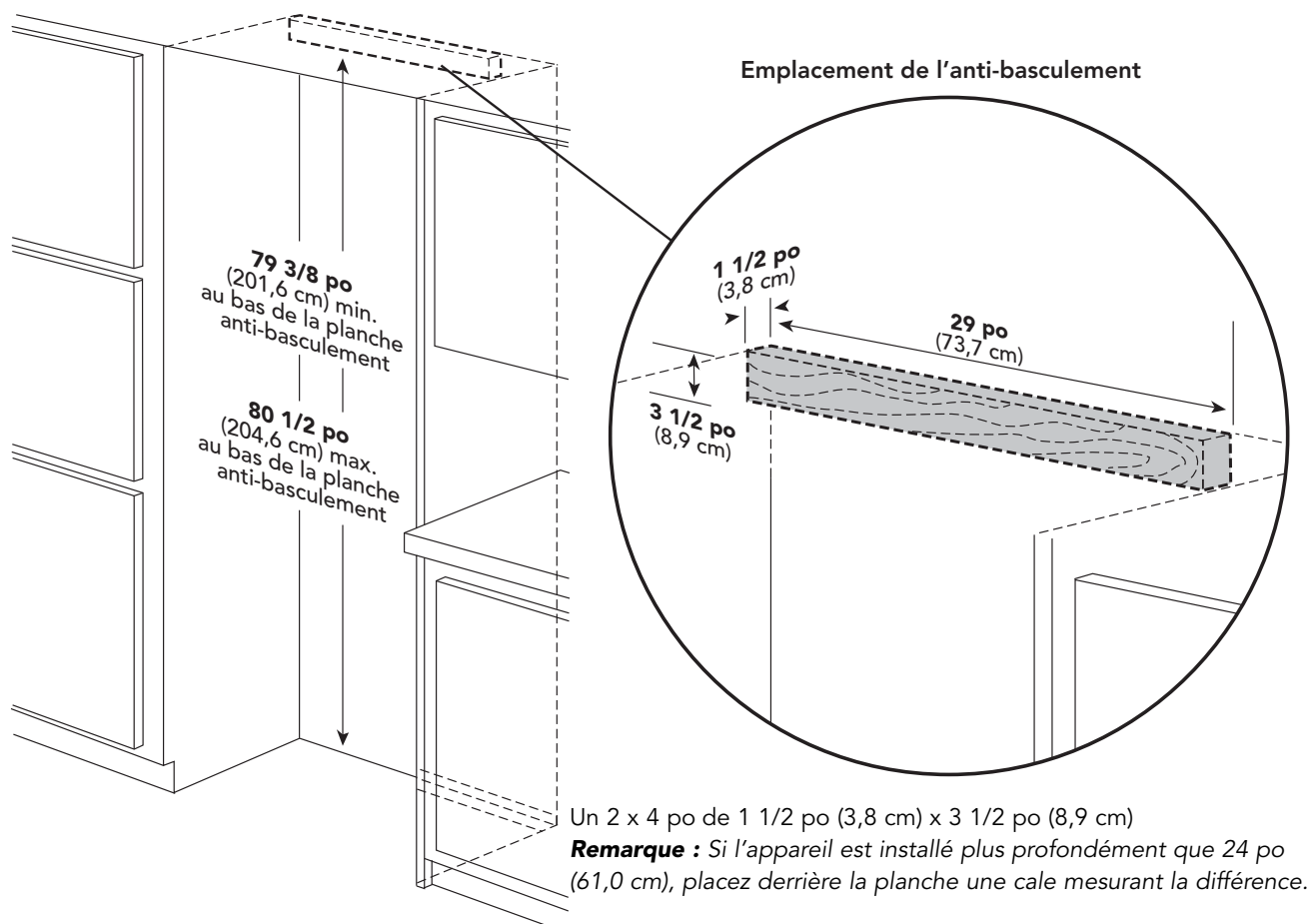
***Remarque :** Les modèles à panneau personnalisé s'installent en position affleurante dans une ouverture de placard de 25 po (63,5 cm). Ils peuvent être installés dans une ouverture standard de 24 po (61,0 cm) de profondeur. La porte et la grille supérieure dépasseront de 3/4 po (1,9 cm) dans la pièce.

Dimensions de la découpe



Dimensions de la planche anti-basculement

36 po (91,5 cm) Congélateur monté au bas



Un 2 x 4 po de 1 1/2 po (3,8 cm) x 3 1/2 po (8,9 cm)

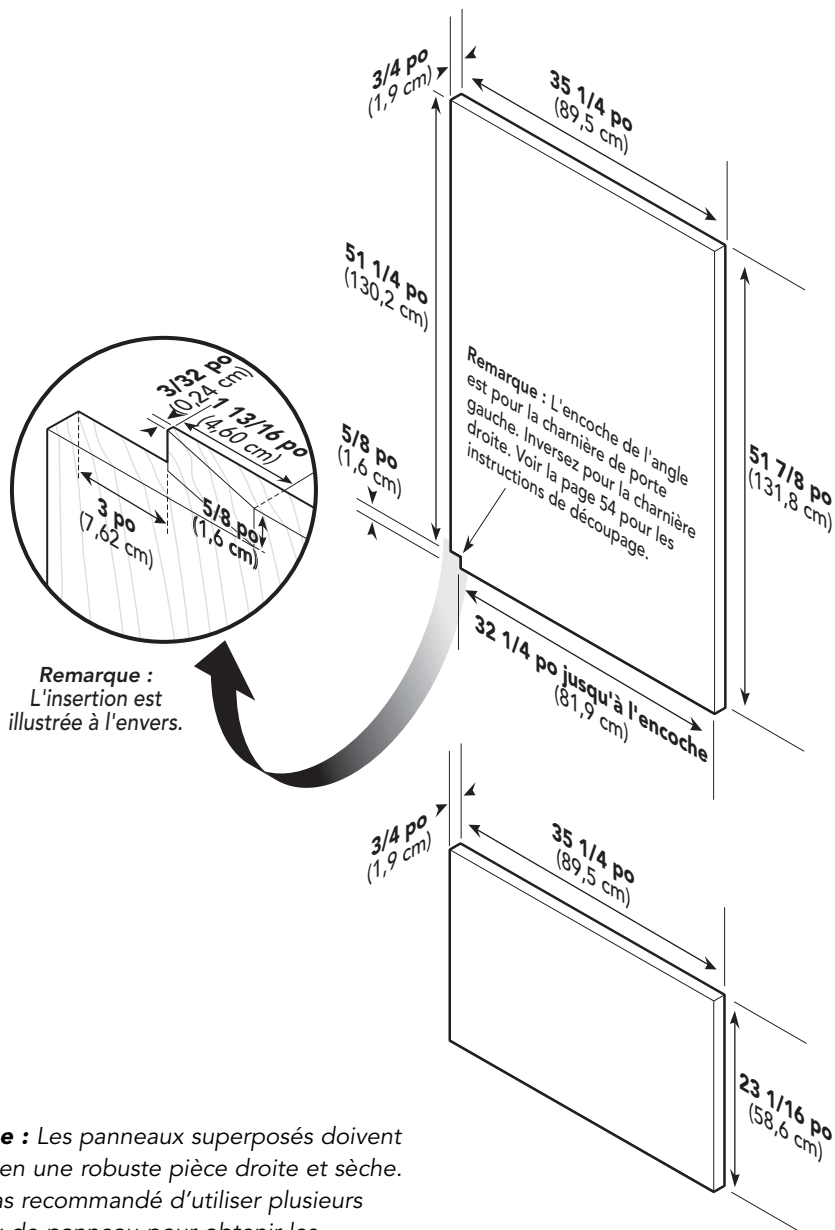
Remarque : Si l'appareil est installé plus profondément que 24 po (61,0 cm), placez derrière la planche une cale mesurant la différence.

Le dessous de la planche anti-basculement se situe à 3 7/8 po (9,8 cm) en dessous de la hauteur de l'ouverture.

Remarque : Le haut de l'appareil doit être fermement placé sous la planche anti-basculement.

Dimensions du panneau superposé

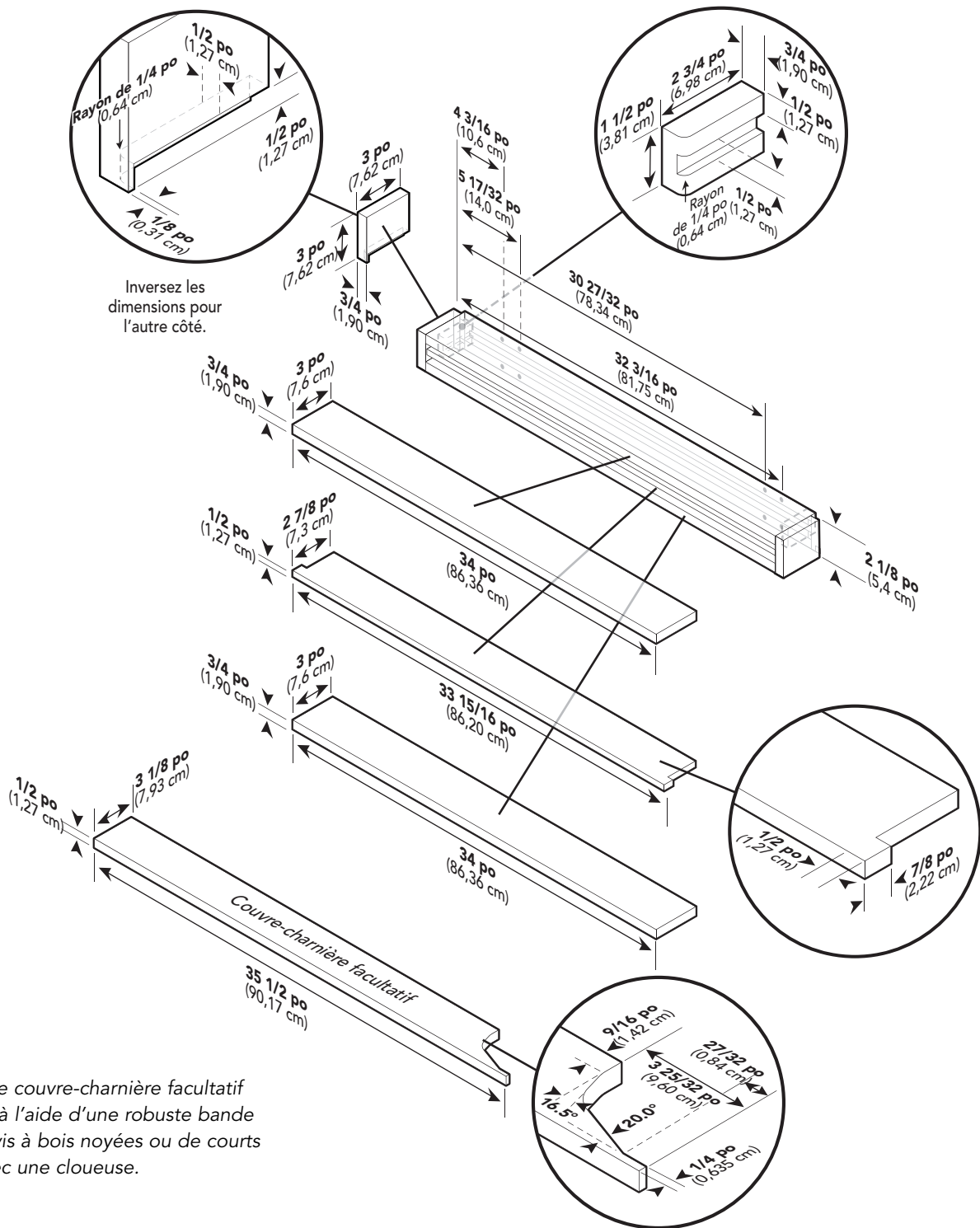
Panneaux personnalisés de 36 po (91,5 cm)



Remarque : Les panneaux superposés doivent être faits en une robuste pièce droite et sèche. Il n'est pas recommandé d'utiliser plusieurs morceaux de panneau pour obtenir les dimensions désirées.

Dimensions de la grille personnalisée

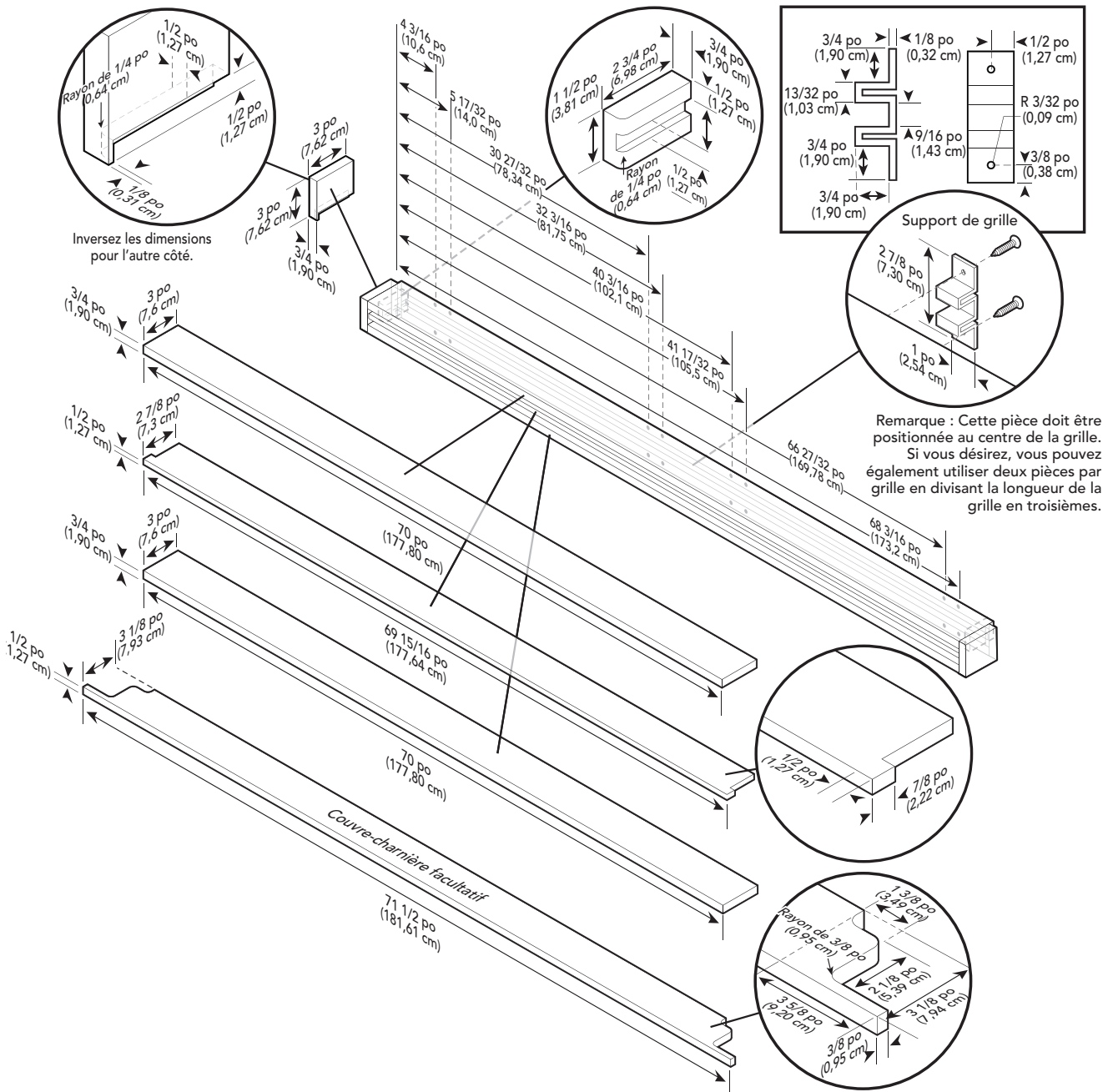
Grille personnalisée de 36 po (91,5 cm)



Remarque : Le couvre-charnière facultatif peut être fixé à l'aide d'une robuste bande adhésive, de vis à bois noyées ou de courts clous fixés avec une cloueuse.

Dimensions de la grille personnalisée

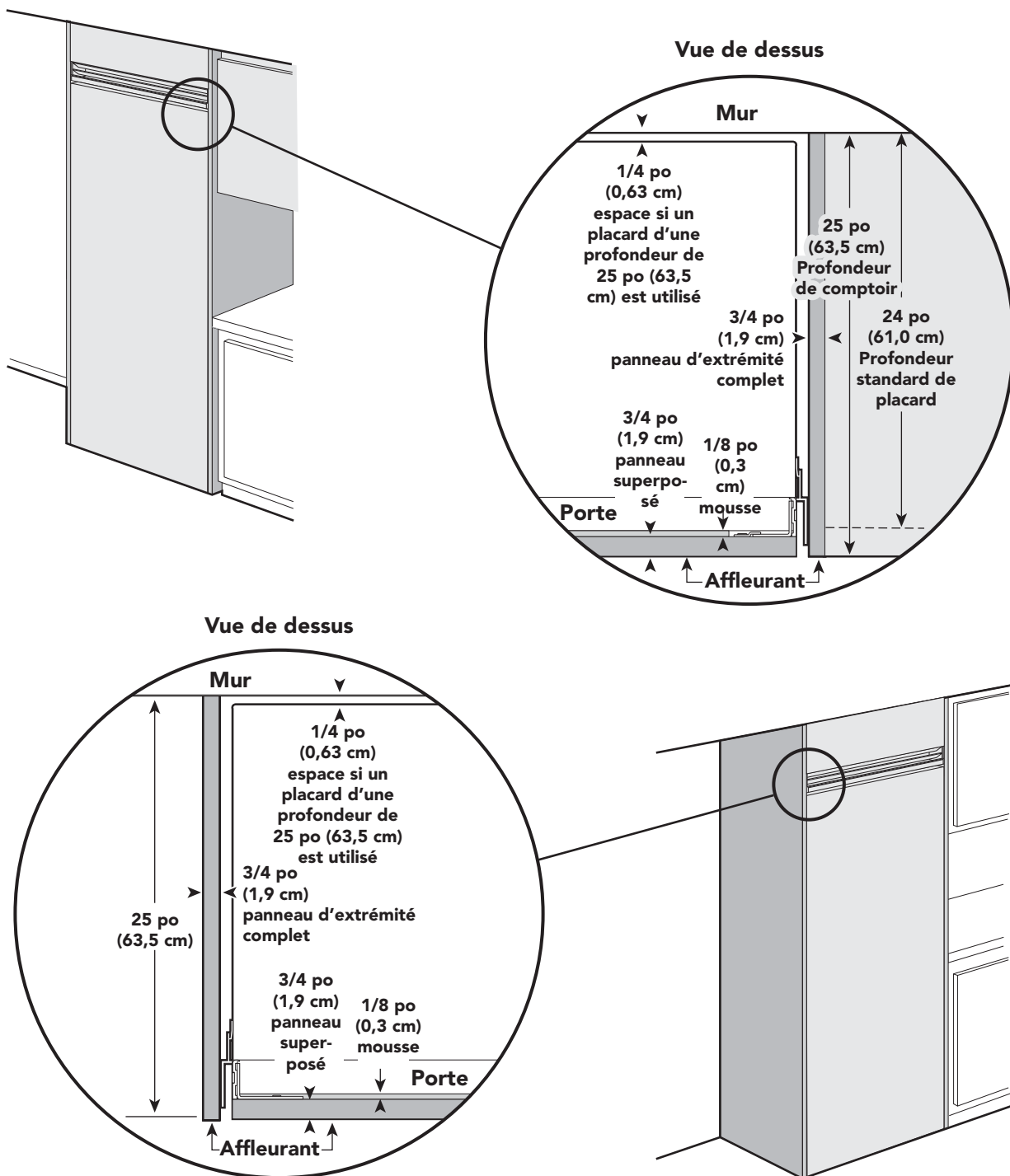
Grille personnalisée de 36 po (91,5 cm) double



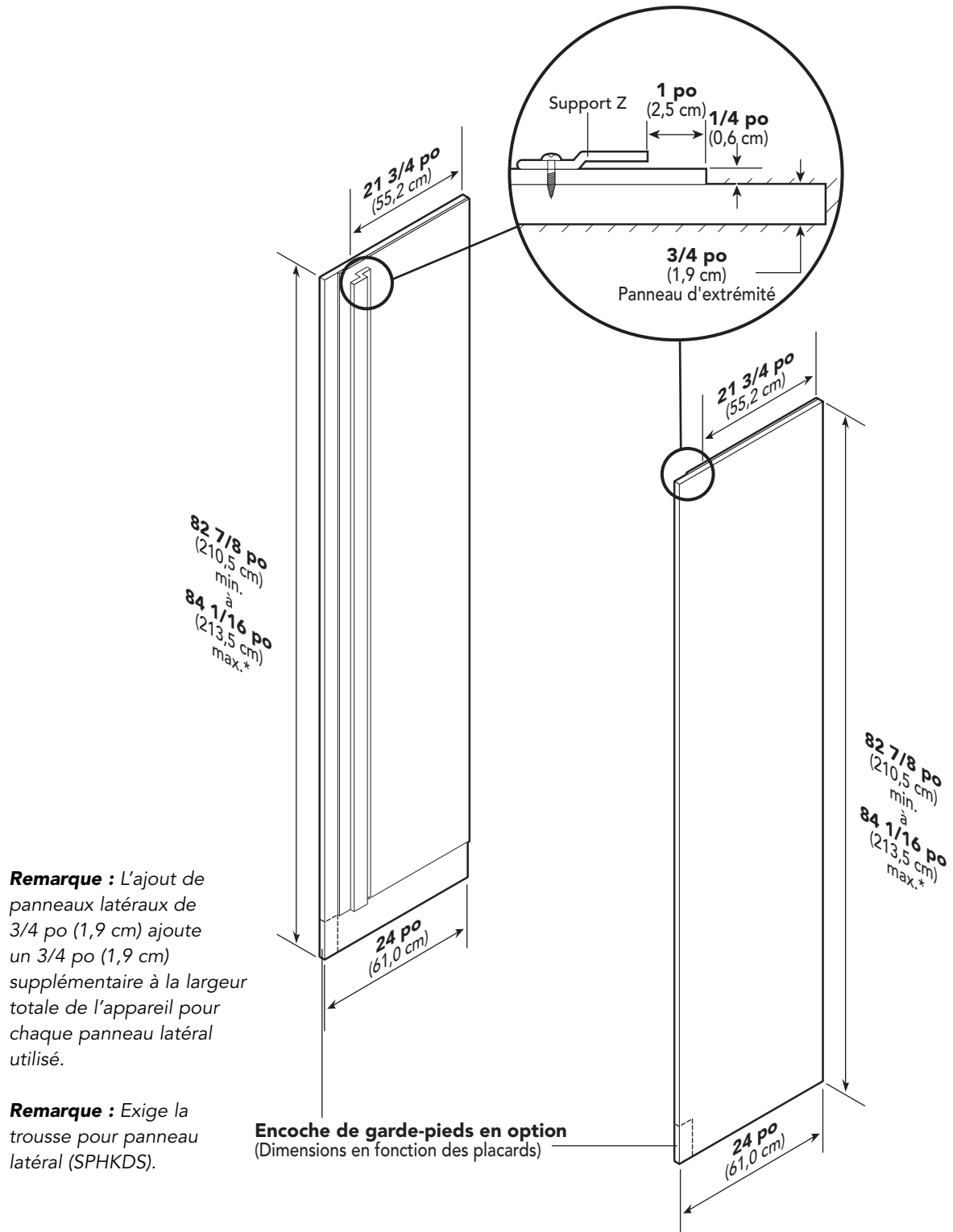
Remarque : Le couvre-charnière facultatif peut être fixé à l'aide d'une robuste bande adhésive, de vis à bois noyées ou de courts clous fixés avec une cloueuse.

Informations sur les placards

Les modèles à panneau personnalisés, (avec des panneaux de 3/4 po (1,9 cm) d'épaisseur et des poignées personnalisées fournies localement), s'installent en position affleurante dans une ouverture de placard de 25 po (63,5 cm) (profondeur de comptoir) sans que rien ne dépasse dans la pièce, sauf les poignées personnalisées.



Dimensions sur mesure du panneau latéral



Remarque : L'ajout de panneaux latéraux de 3/4 po (1,9 cm) ajoute un 3/4 po (1,9 cm) supplémentaire à la largeur totale de l'appareil pour chaque panneau latéral utilisé.

Remarque : Exige la trousse pour panneau latéral (SPHKDS).

***Remarque :** Selon la hauteur des pieds de calage et la hauteur du placard.

Informations générales relatives au panneau personnalisé

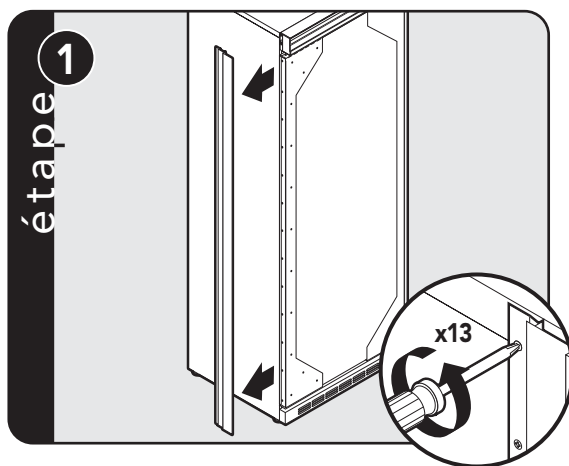
Options de finition personnalisées

- Toutes les installations doivent permettre l'ouverture des portes du réfrigérateur et du congélateur de 90° minimum.
- Pour une installation contre un mur sur le côté ou en coin, permettre l'installation d'un élément de remplissage standard de 3 po (7,6 cm) pour assurer l'ouverture des portes à 90°.

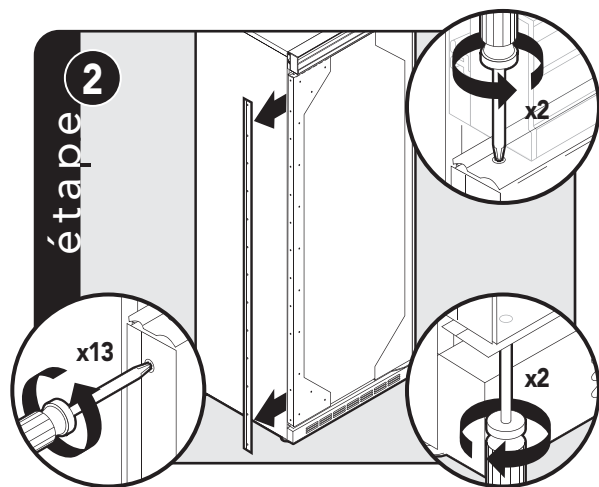
Remarque : Avec une poignée personnalisée, un élément de remplissage plus large peut être nécessaire.

- L'épaisseur du panneau ne doit pas dépasser 1 po (2,5 cm) sur le côté de la charnière. Les panneaux plus épais risquent d'interférer avec l'ouverture de la porte et avec le dégagement.
- S panneau de porte doit être installé après que le réfrigérateur a été branché pendant au moins 24 heures.

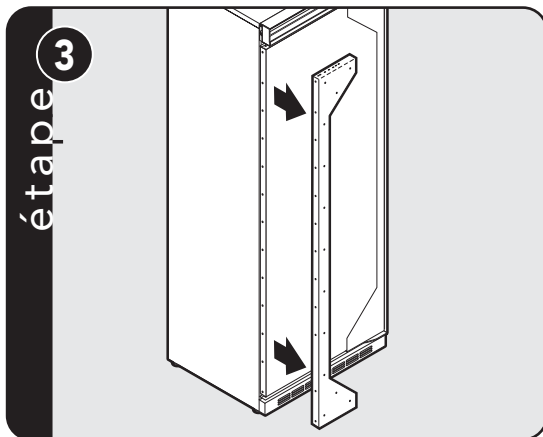
Installation du panneau personnalisé



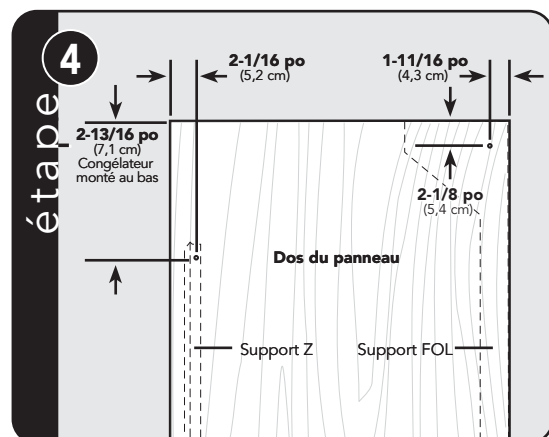
Enlevez les vis de la poignée latérale ainsi que la garniture avec un tournevis Phillips.



Enlevez toutes les vis de la garniture de porte côté poignée. Enlevez les deux vis du haut et du bas de la garniture de porte. Enlevez la garniture de porte côté poignée.

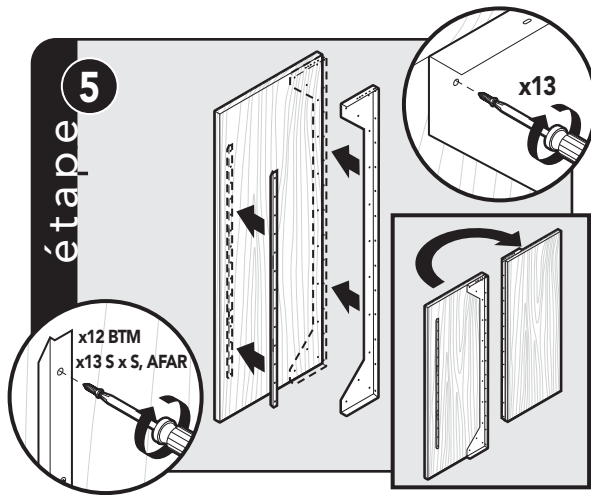


Enlevez le support.

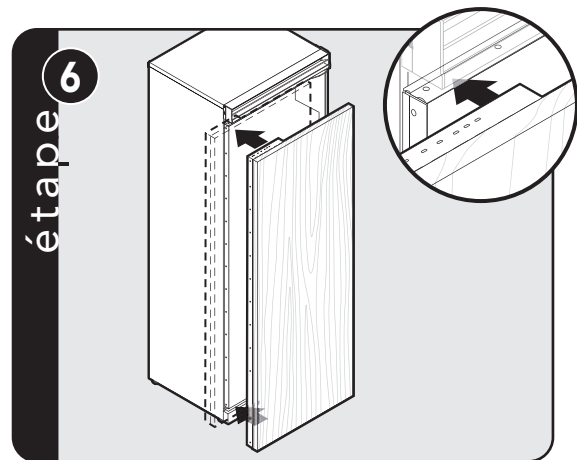


Mesurez et marquez le premier trou pour chaque support.

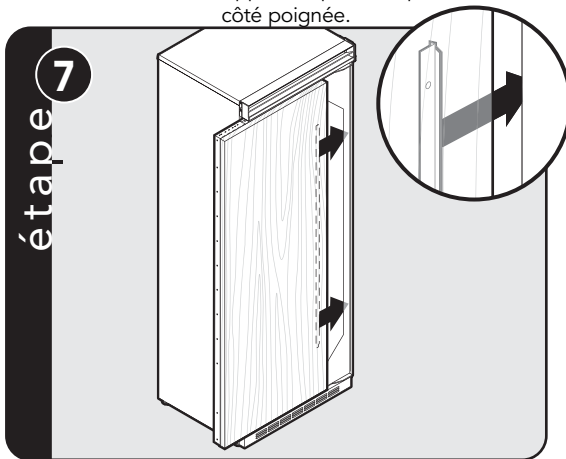
Installation du panneau personnalisé



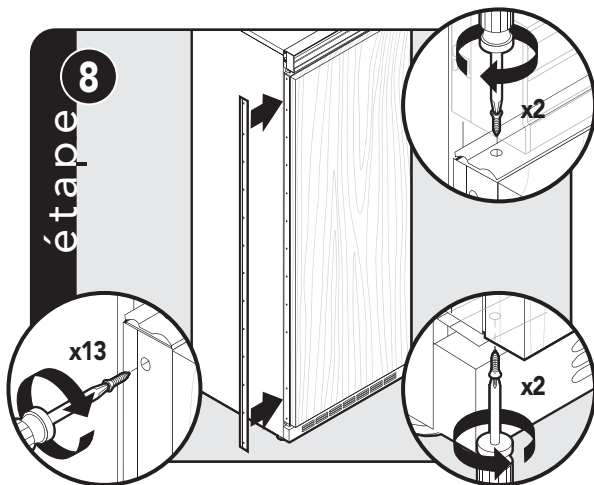
Fixez le support en « Z » au panneau personnalisé, côté charnière. Fixez le support au panneau personnalisé, côté poignée.



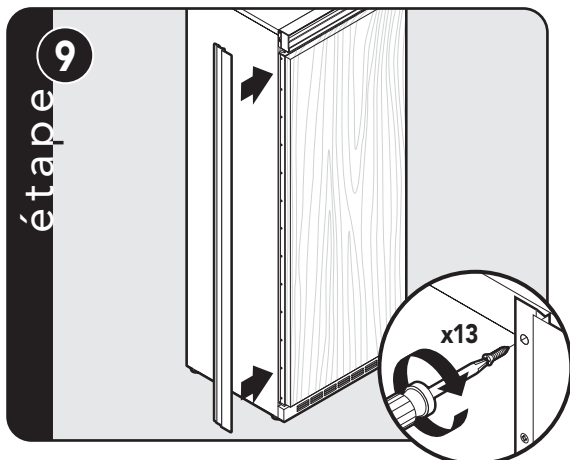
Poussez le panneau de bois personnalisé sur la porte.



Glissez le panneau de bois personnalisé côté charnière, en vérifiant que le support en « Z » s'engage dans le support de porte.

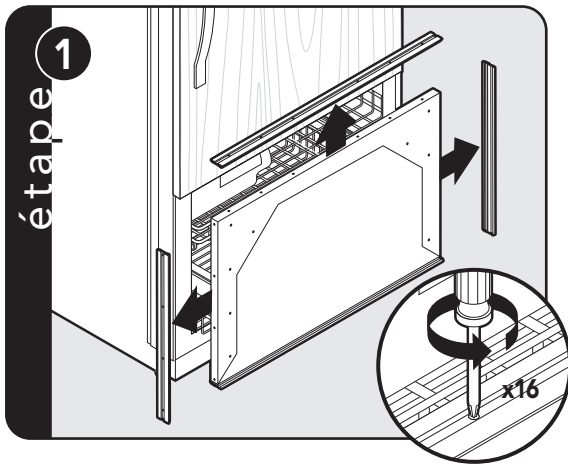


Réinstallez la garniture de porte côté poignée ainsi que les vis de la garniture de porte.

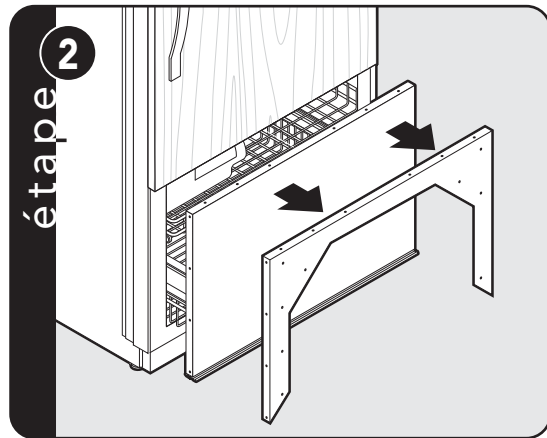


Réinstallez la garniture de placard ainsi que les vis.

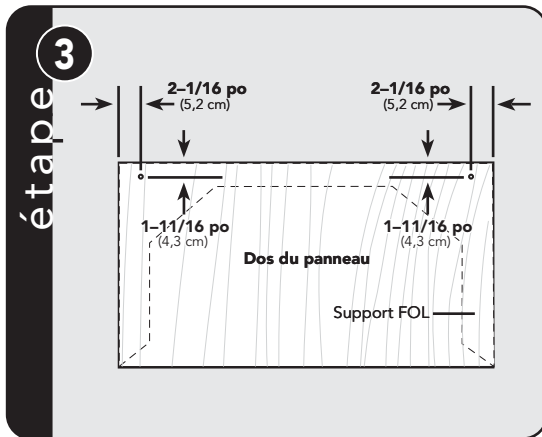
Installation du panneau personnalisé de la porte du congélateur



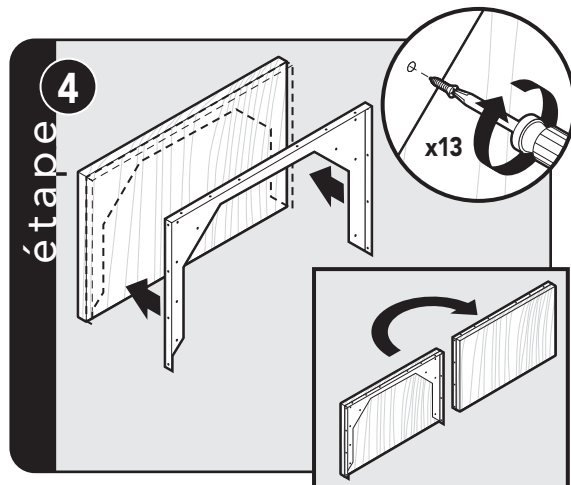
Ouvrez la porte du congélateur. Enlevez les vis de la garniture de porte ainsi que la garniture de porte avec un tournevis Phillips.



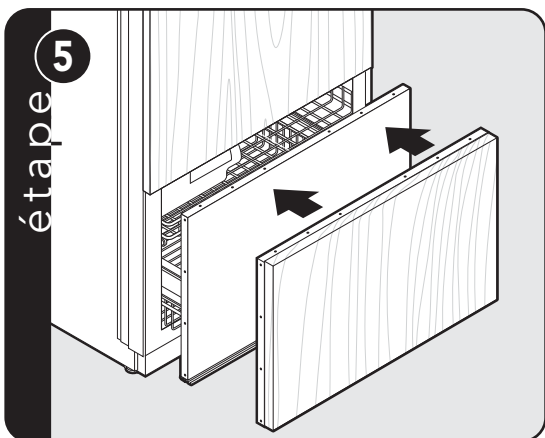
Enlevez le support.



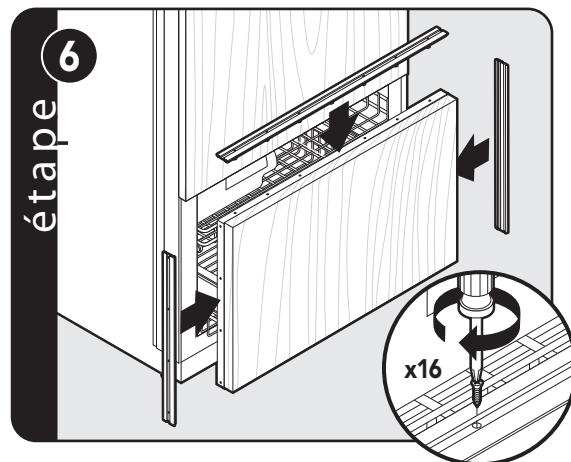
Mesurez et marquez le premier trou de chaque côté du support.



Fixez le support au panneau personnalisé.

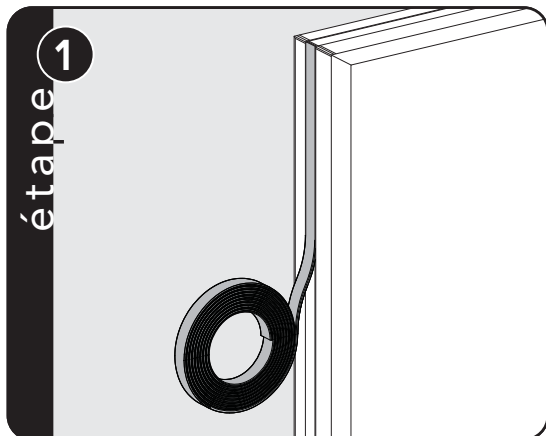


Alignez et glissez le panneau de bois personnalisé sur la porte.



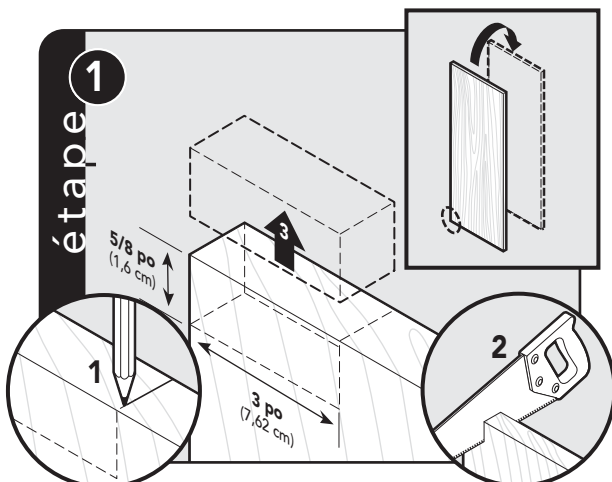
Réinstallez la garniture de porte ainsi que les vis de la garniture de porte.

Installation de la garniture de porte

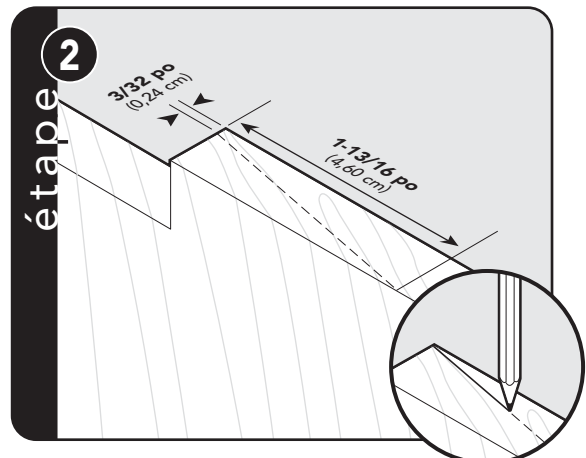


Utilisez le rouleau de garniture que vous trouverez dans le tiroir à l'intérieur de l'appareil pour installer la garniture de porte.

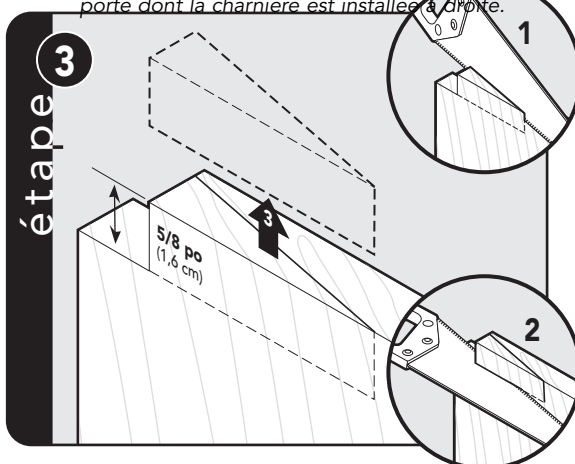
Découpe de la charnière du panneau personnalisé, congélateur monté au bas (au besoin)



Pour une porte dont la charnière est installée à gauche, coupez $5/8$ po (1,6 cm) x 3 po (7,6 cm) dans le coin inférieur gauche. **Remarque :** Les étapes montrent le panneau à l'envers et entaillé pour une charnière installée à gauche. Reflétez les dimensions de l'autre côté pour une porte dont la charnière est installée à droite.



Mesurez et coupez $2 \frac{1}{16}$ po (5,2 cm) en diagonal dans le coin inférieur gauche.



Découpez en diagonal dans le coin inférieur gauche.

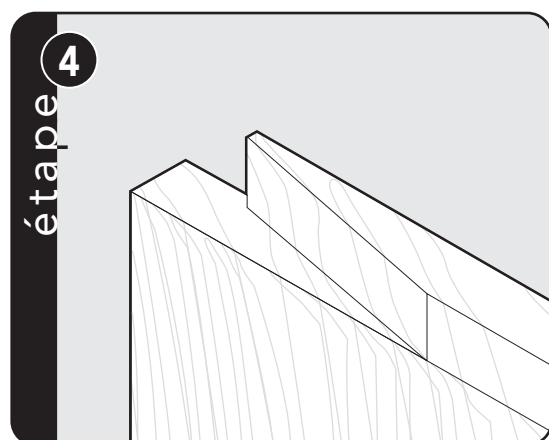
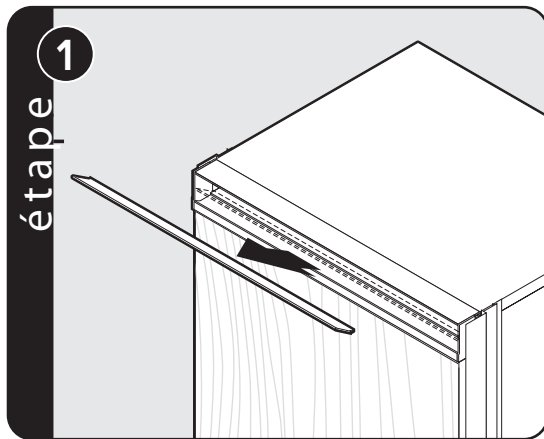
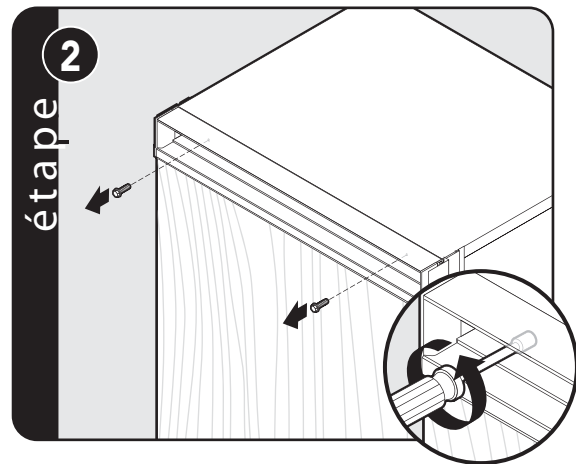


Illustration finale du coin inférieur.

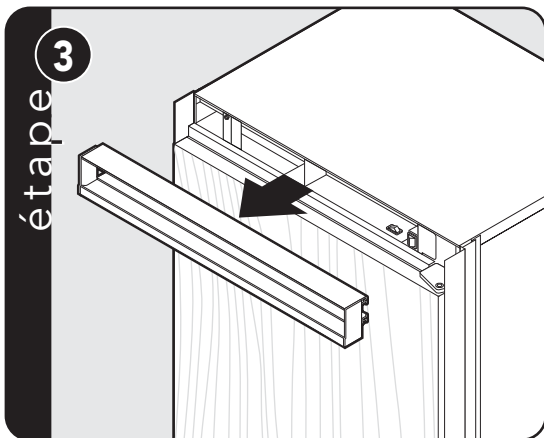
Installation de la grille personnalisée



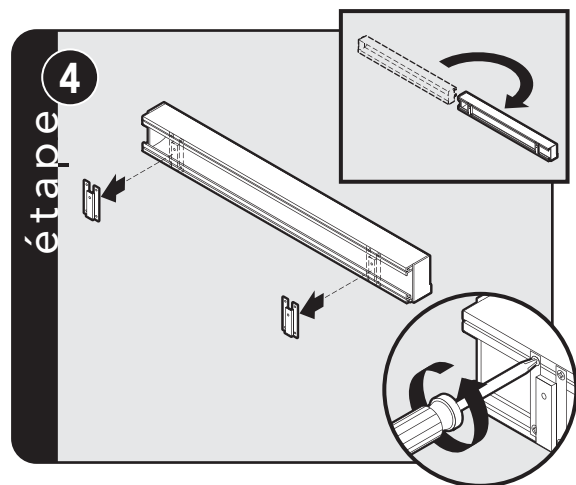
Enlevez la lame centrale de la grille de ventilation.



Enlevez les deux vis de 1/4 po (0,6 cm) avec un tournevis magnétique équipé d'un embout d'au moins 8 po (20,3 cm).

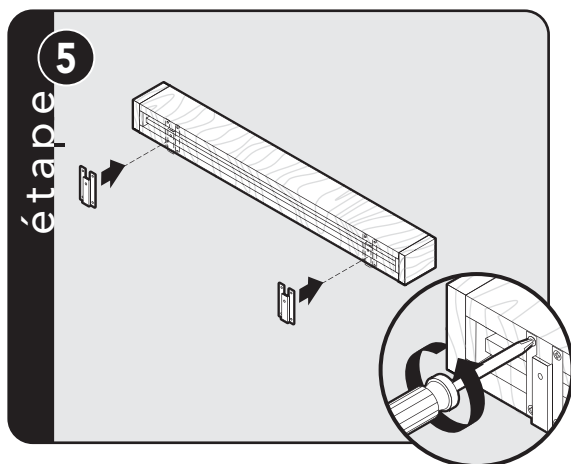


Tirez l'assemblage de la grille de ventilation vers l'avant.

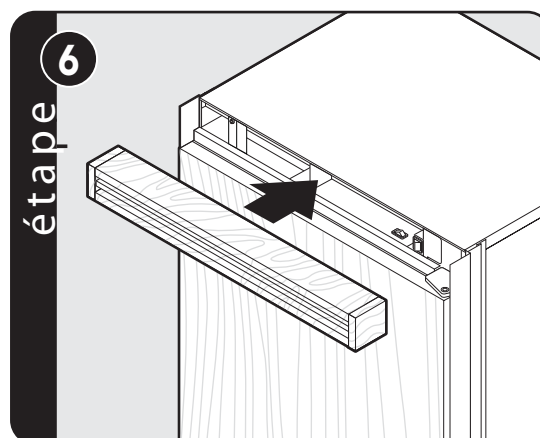


Retirez les 2 supports de montage de l'assemblage de la grille de ventilation.

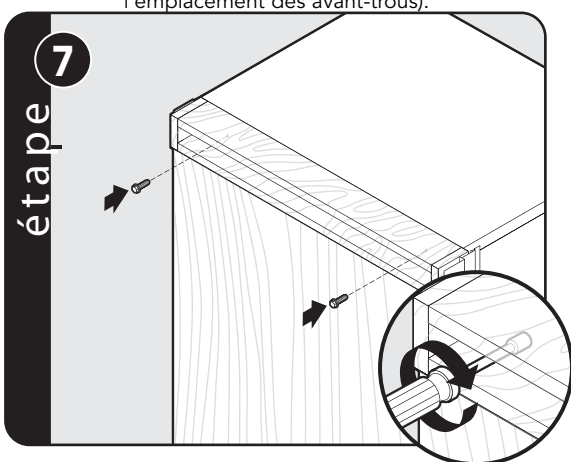
Installation de la grille personnalisée (suite)



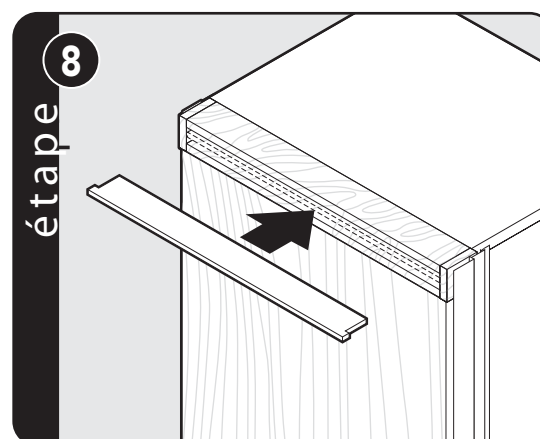
À l'aide de huit vis retirées des supports de montage, fixez les supports de montage à la grille en bois personnalisée en perçant des avant-trous. (Voir les spécifications de superposition de la grille pour déterminer l'alignement et l'emplacement des avant-trous).



Insérez l'assemblage de la grille de ventilation personnalisée.



Installez deux vis de 1/4 po (0,6 cm) avec un tournevis magnétique équipé d'un embout d'au moins 8 po (20,3 cm).



Installez la lame centrale de la grille de ventilation.

Informations générales

Exigences de surface

Vérifiez ce qui suit :

- L'espace prévu dans la résidence convient pour l'installation de l'appareil, qui pourra par ailleurs passer les portes et les coins.
- Les sols peuvent supporter le poids de l'appareil, plus le poids des aliments (1 200 livres (540 kg) environ par appareil).
- Les sols en-dessous du réfrigérateur sont de niveau avec le plancher fini autour de la zone d'installation.
- Le mur arrière est solide et capable de soutenir deux planches 2 x 4 montées horizontalement (fournies) et boulonnées à deux poteaux muraux. Les têtes de boulon des planches 2 x 4 doivent affleurer avec le 2 x 4 pour ne pas faire obstruction.
- Retirez tout ce qui est attaché aux murs arrière ou latéraux qui risquerait de gêner l'installation.
- Les dimensions de découpe sont précises.
- La prise électrique est au bon endroit.
- La conduite d'arrivée d'eau est au bon endroit.
- **N'INSTALLEZ PAS** un appareil de réfrigération près d'une source de chaleur ou à un endroit où la température ambiante chutera à moins de 60 °F (16 °C).

Alimentation électrique

Il incombe au client de :

- Contacter un installateur/électricien qualifié.
- S'assurer que l'installation électrique est adéquate et conforme au Code national de l'électricité, à la norme ANSI/NFPA 70 (dernière édition) ou aux normes C22.1-1998 et C22.2 n° 0-M91 (ou la dernière édition), et à tous les codes et décrets locaux.

Une alimentation électrique à fusible de 115 V, 60 Hz, 15 A est requise. Un circuit séparé alimentant uniquement cet appareil est requis. Cet appareil est équipé d'un cordon d'alimentation à fiche de terre à 3 lames. Pour minimiser le risque d'électrocution, le cordon devra être branché sur une prise murale reliée à la terre (3 broches). **N'utilisez pas de rallonge électrique.**

Si les codes permettent l'utilisation d'un fil de terre séparé, il est recommandé qu'un électricien qualifié détermine que le chemin de mise à la terre est adéquat. **NE PAS** mettre à la terre sur une conduite de gaz.

Renseignez-vous auprès d'un électricien qualifié en cas de doute sur la mise à la terre correcte de l'appareil. **NE PAS** placer de fusible dans le circuit de mise à la terre ou le neutre.

Exigences liées à la planche anti-basculement

Les planches anti-basculement devraient être fixées en position avant de déplacer l'appareil dans l'ouverture.

Remarque : Des planches supplémentaires pourront être requises si l'appareil ne touche pas le mur arrière de l'enceinte. Pour éviter que l'appareil ne bascule vers l'avant, il doit être fixé en place à l'aide d'une soffite ou d'une cale en bois solide.

Exigences d'arrivée d'eau

AVERTISSEMENT

Pour éviter les maladies graves voire mortelles, **N'UTILISEZ PAS** l'appareil là où l'eau est de qualité douteuse du point de vue microbiologique ou de qualité inconnue sans effectuer une désinfection adéquate en amont ou en aval du système. Des systèmes certifiés pour la réduction des kystes pourront être utilisés sur de l'eau désinfectée pouvant contenir des kystes filtrables. Les contaminants ou autres substances éliminées ou réduites par ce système d'épuration de l'eau ne sont pas nécessairement dans votre eau.

Utilisez uniquement un tube en cuivre de 1/4 po (6 mm) pour la conduite d'eau. N'INSTALLEZ PAS de tube en cuivre dans un endroit où les températures tombent sous 35 °F (1,7 °C). Avant d'attacher un tube en cuivre à l'appareil, faites passer au moins 2 pintes (1,9 L) d'eau à travers le tube en cuivre et vidangez l'eau dans un seau afin de retirer les particules de la conduite d'eau.

- **La AGA Marvel ne pourra être tenue pour responsable des dégâts matériels en raison d'une installation ou un raccordement au réseau d'eau incorrects.**
- Raccordez un tube de cuivre flexible de 1/4 po (6 mm) à la tuyauterie du domicile, conformément aux codes et aux décrets locaux.
- La longueur du tube de cuivre doit pouvoir aller de la prise d'arrivée d'eau à la prise de l'appareil avec une longueur supplémentaire pour faciliter l'extraction de l'appareil de l'enceinte pour nettoyage ou réparation. Le tube doit être souple et non rigide, sans barbes aux extrémités.

Informations générales

- Le cheminement du tube en cuivre doit être à plus de 35 °F (1,7 °C) pour éviter le gel de la conduite d'eau.
- **N'UTILISEZ PAS de conduites d'eau en plastique entre la tuyauterie domestique et la connexion à la soupape d'entrée sur l'appareil de réfrigération.**
- **N'UTILISEZ PAS** la fonction d'auto-perçage d'un robinet-vanne. Le trou ainsi percé est trop petit pour le débit d'eau requis par la machine à glaçons.
- Si un robinet-vanne n'est pas utilisé, placez un robinet d'arrêt séparé à un endroit accessible entre l'arrivée d'eau et l'appareil. **NE PLACEZ PAS** le robinet d'arrêt derrière l'appareil.
- L'installation des appareils avec un système d'osmose inverse est acceptable **tant que la pression d'eau reste au niveau autorisé indiqué ci-dessous**. Il est important de noter qu'avec de nombreux systèmes d'osmose inverse, la pression est élevée au départ, mais diminue ensuite à mesure que diminue le niveau d'eau dans la zone de stockage d'osmose inverse. Ce fait doit être pris en considération lors du contrôle de la pression d'eau sortant de l'appareil.
- Raccordez une conduite d'eau FROIDE verticale ou horizontale de 1/2 po (1,2 cm) à 1 1/4 po (3,2 cm) près de la zone de stockage d'eau.
- Acheminez la conduite d'eau à travers le plancher, le mur arrière ou le mur latéral. Le tube doit reposer à plat par terre derrière l'appareil. Pincez le tube au mur ou au plancher.
- La pression d'eau doit être supérieure à 20 lb/po² (1,4 bar) et inférieure à 120 lb/po² (8,3 bar) sur les modèles sans distributeur, et supérieure à 35 lb/po² (2,4 bar) et inférieure à 120 lb/po² (8,3 bar) sur les modèles à distributeur.
- L'essentiel du poids de l'appareil se situe en haut. Faites très attention lors du déplacement de l'appareil pour l'empêcher de basculer.
- **NE RETIREZ PAS** le film de protection tant que l'appareil n'est pas à sa position d'utilisation.
- Les quatre pieds de calage doivent toucher le sol pour permettre le soutien et la stabilisation du poids complet.
- **NE LAISSEZ PAS** l'appareil tomber sur le sol.
- Retirez les matériaux d'emballage extérieurs avant d'introduire l'appareil dans le domicile.
- Prenez-y-vous à deux personnes ou plus pour déplacer ou installer l'appareil. La négligence de suivre ces consignes risque de causer des blessures au dos ou d'autres blessures.
- Pour éviter de vous blesser, portez des gants pour effectuer une procédure d'installation quelconque et protégez-vous les yeux avant de couper les sangles métalliques.

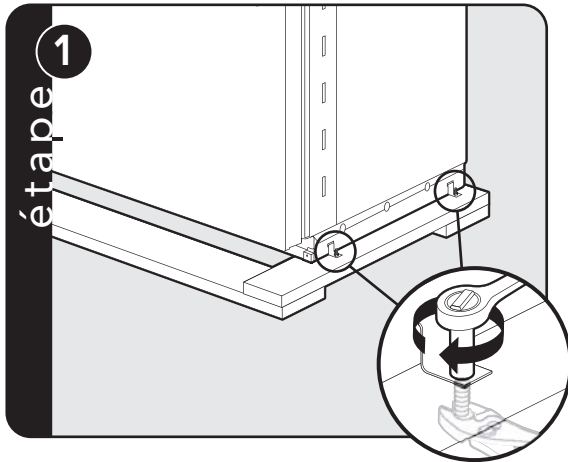
Risque de basculement

L'appareil est lourd dans sa partie supérieure et bascule facilement s'il n'est pas complètement installé. Laissez les portes fermées jusqu'à ce que l'appareil soit complètement installé et fixé en place, conformément aux instructions d'installation. Prenez-y-vous à deux ou plus personnes pour déplacer ou installer l'appareil. La négligence de suivre cette consigne risque de causer la mort ou une blessure grave.

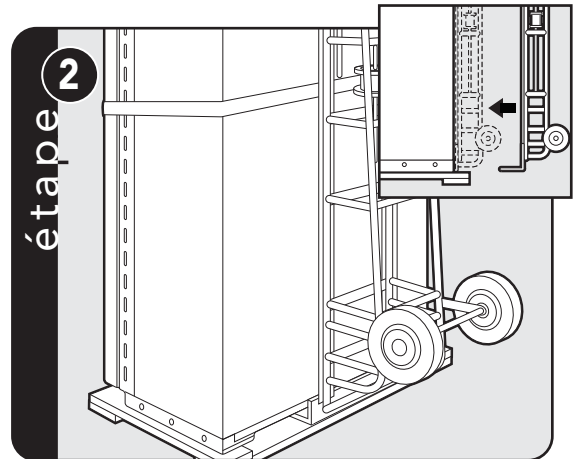
Déballage de l'appareil

1. Retirez les sangles supérieure et inférieure.
2. Retirez la protection du haut.
3. Découpez l'arrière du carton entre 1/4 po (0,6 cm) à 1 po (2,5 cm) environ de l'angle droit à l'aide d'un couteau tout usage déployé sur 1/4 po (0,6 cm).
4. Retirez le carton et l'emballage extérieur.
Conservez le carton pour protéger les sols lors de l'installation de l'appareil. Retirez la planche anti-basculement, la garde-pieds et les garnitures de porte (modèles DF) de l'arrière de l'appareil.

Déplacement de l'appareil



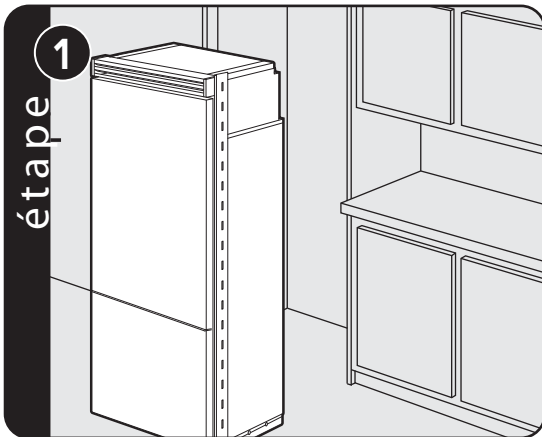
Retirez les supports d'expédition du patin en retirant les 4 boulons (2 de chaque côté) à l'aide d'une clé à douille profonde de 1/2 po (1,3 cm) et d'une pince.
Remarque : L'inclinaison de l'appareil n'est pas requise pour le retrait des supports d'expédition.



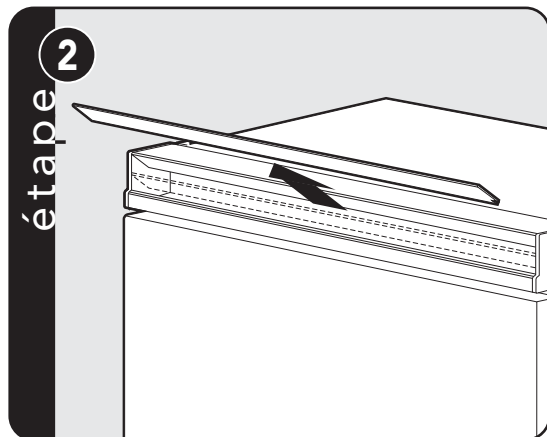
Glissez le diable entre l'appareil et le patin.
 Retirez l'appareil du patin.

Remarque : Utilisez l'emballage retiré pour protéger les garnitures décoratives; en outre, assurez-vous que les pieds de calage sont relevés (ajustement 0 po).

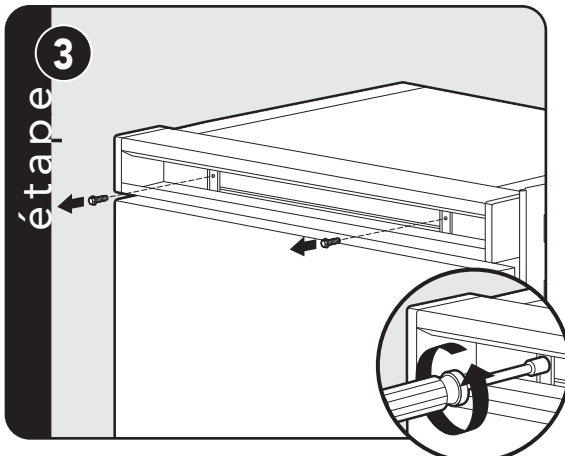
Installation



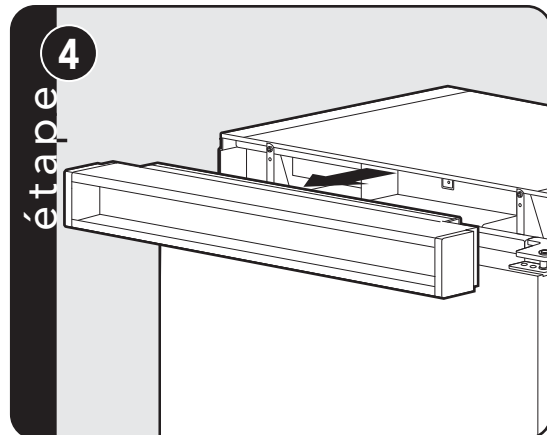
Placez l'appareil devant la découpe.



Relevez le louvre de la grille centrale en l'inclinant et retirez-le.

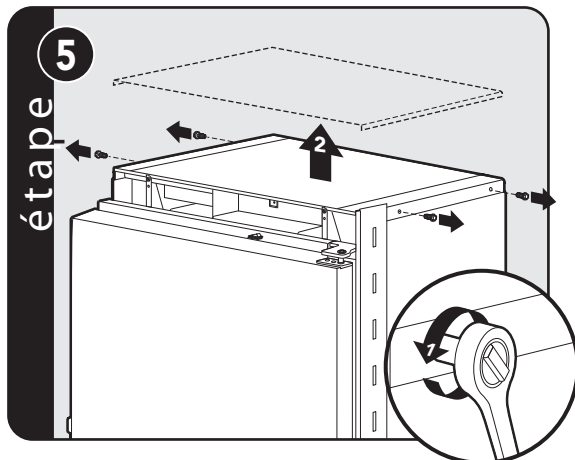


À l'aide d'un tourne-écrou magnétique de 8 po (20,3 cm), retirez les deux vis de 1/4 po (0,6 cm).

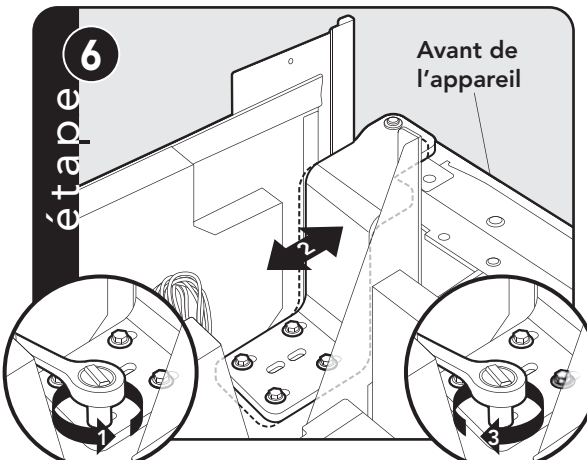


Retirez la grille.

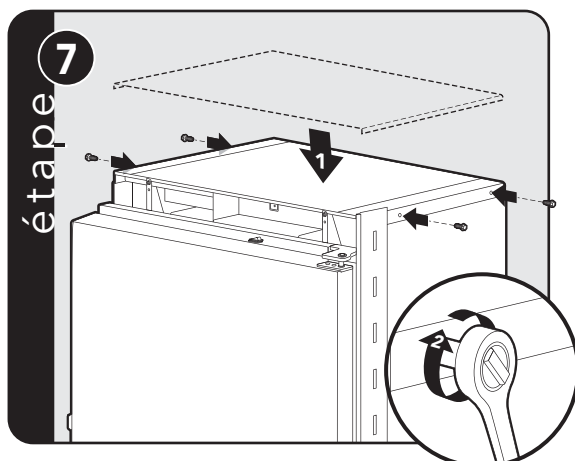
Ajustement des charnières



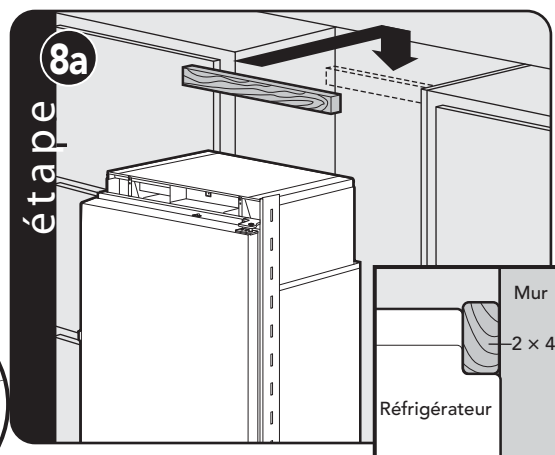
Retirez les quatre vis latérales et retirez le haut de l'appareil.



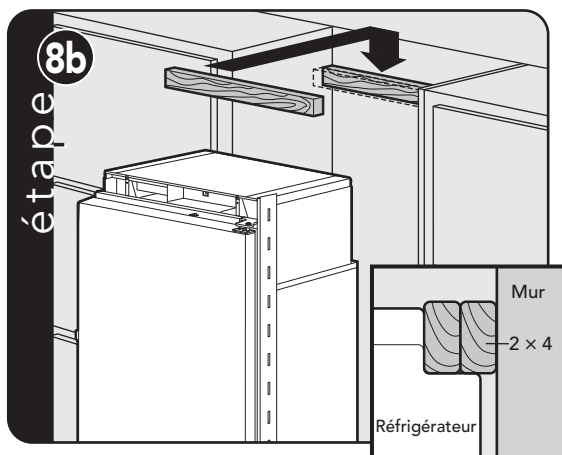
Desserrez les quatre vis de charnière. Ajustez la porte. Resserrez les quatre vis de charnière.



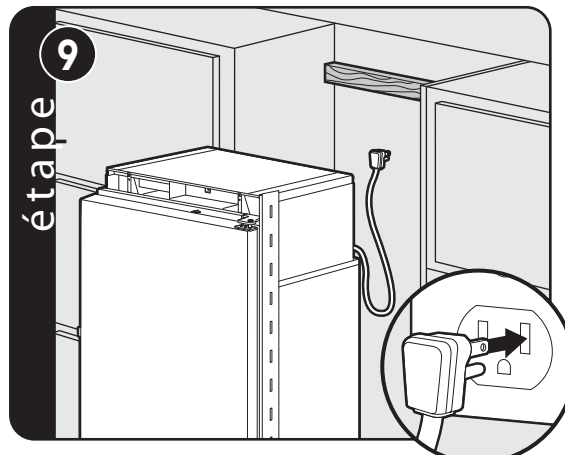
Remplacez le dessus de l'appareil et les quatre vis latérales.



Attachez un 2 x 4 au poteau mural (voir l'emplacement exact sur la page des dimensions).

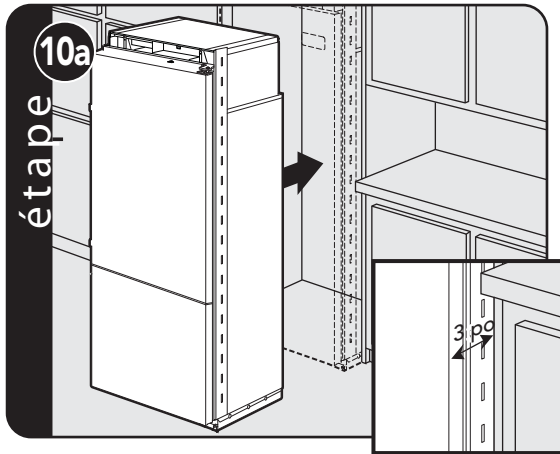


Au besoin, selon le placard et la profondeur, attachez un second 2 x 4 au premier 2 x 4.

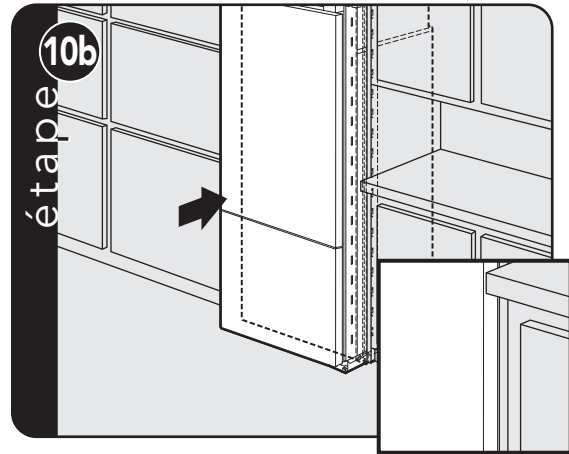


Branchez le cordon d'alimentation pour vérifier le fonctionnement de l'appareil. **Remarque :** Assurez-vous que l'interrupteur d'alimentation et l'interrupteur du mode démonstrateur sont sur la position Marche (« ON »).

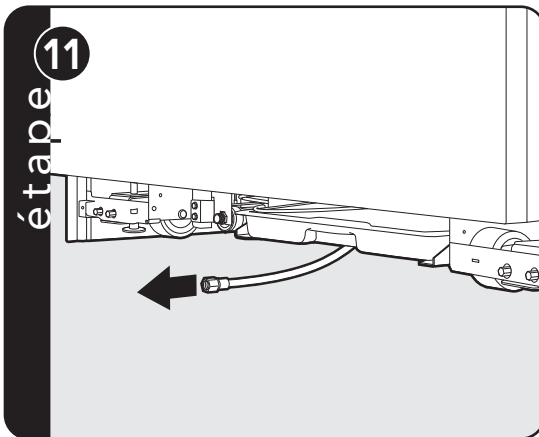
Installation (suite)



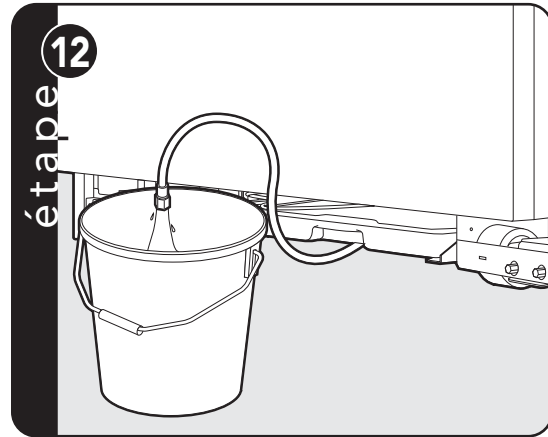
Ne décalez pas l'appareil de plus de 3 po (7,6 cm) de la face des placards. **Remarque :** Pour éviter d'endommager les placards, placez du carton entre les placards et l'appareil. Lorsque vous déplacez l'appareil, **NE** resserrez, ne coudez et n'écrasez pas la conduite d'arrivée d'eau.



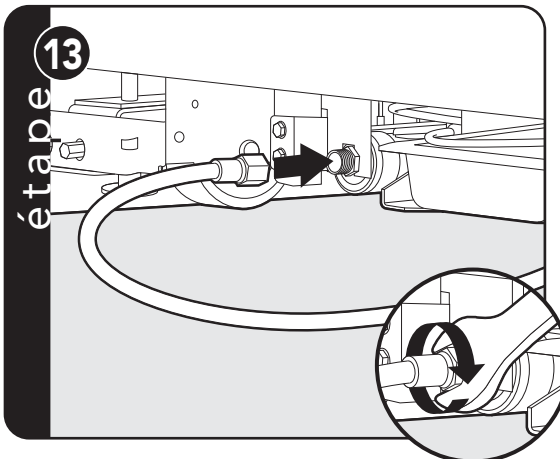
Déplacez l'appareil avec précaution jusqu'à ce qu'il soit en position semi-affleurée avec le placard (selon l'appareil).



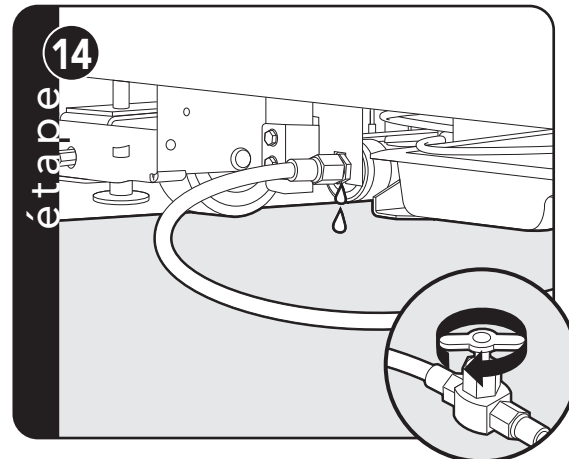
Tirez le tube d'arrivée d'eau vers l'avant sous l'appareil. **Remarque :** N'utilisez **PAS** de conduites d'eau en plastique.



Rincez la conduite d'eau en faisant couler 2 litres d'eau dans un seau. Coupez l'eau.

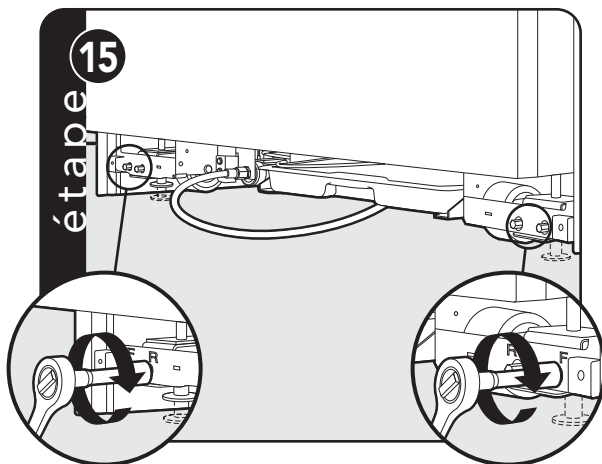


Raccordez le tube d'arrivée d'eau au robinet à l'aide d'une clé de 1/2 po (1,3 cm). **Remarque :** Ne serrez **PAS TROP**.

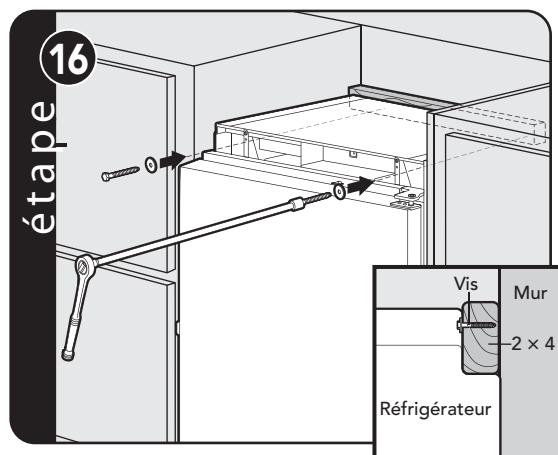


Ouvrez l'arrivée d'eau et assurez-vous qu'il n'y a pas de fuites.

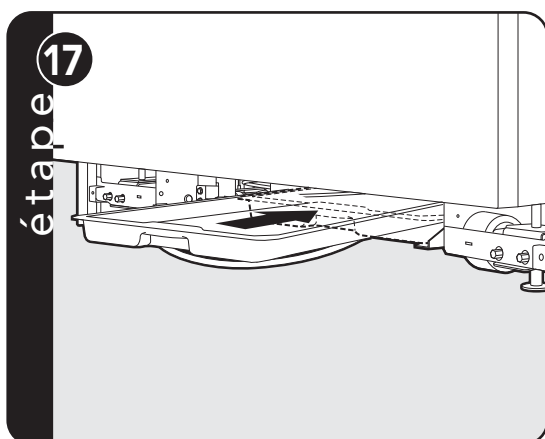
Ajustement des charnières (suite)



Soulevez l'appareil des rouleaux à la hauteur souhaitée et calez l'appareil à l'aide d'une clé de 5/16 po (0,79 cm). **Remarque : NE PAS** utiliser un appareil électrique. Un serrage excessif risque de causer des dommages.

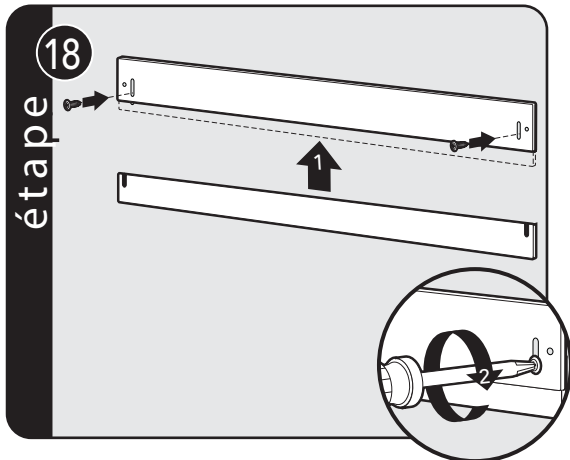


Serrez des boulons autotaraudeurs au 2 x 4 à l'aide d'une extension de 22 po (55,9 cm).

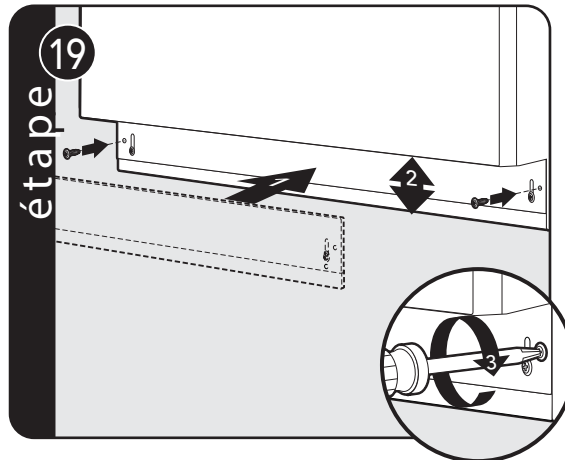


Assurez-vous que le bac de vidange est installé et aligné.

Installation du garde-pieds

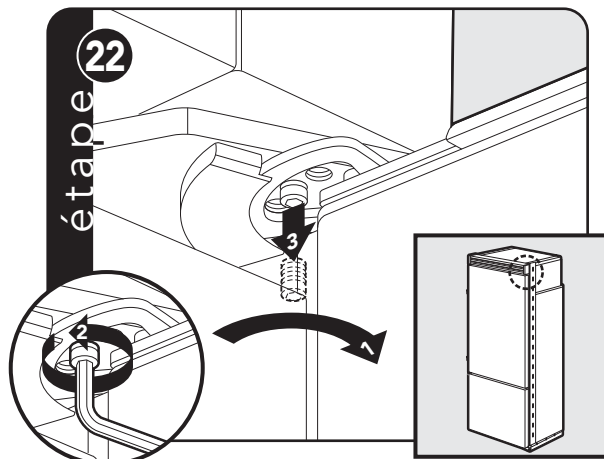


Alignez les trous aux deux extrémités des panneaux ajourés et insérez les vis.



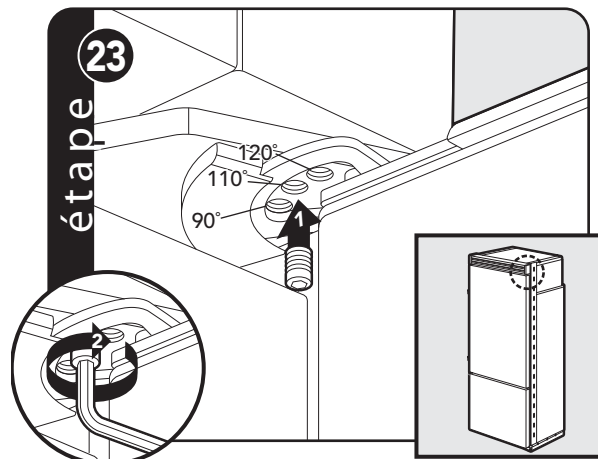
À l'aide d'un tournevis Phillips, attachez le garde-pieds à l'appareil et ajustez-le à la hauteur désirée.

Ajustement de la butée de porte (Congélateur monté au bas).



Ouvrez la porte du réfrigérateur de sorte que la butée de la porte et la vis à épaulement soient accessibles.

Remarque : La vis à épaulement doit être dans le trou de position d'ouverture de porte de 110°.



Retirez la vis à épaulement et placez-la dans la position 90° ou 120°.

Systeme de filtration d'eau – Fiche des données de performance et des caractéristiques techniques

Ce système a été testé conformément à NSF/ANSI 42/53 pour la réduction des substances énumérées ci-dessous. La concentration des substances indiquées dans l'eau entrant dans le système a été ramenée à une concentration inférieure ou égale à la limite autorisée pour l'eau sortant du système, comme indiqué dans la norme NSF/ANSI 42/53.* (100 % des facteurs de sécurité intégrés pour utilisation non mesurée en cas de réclamations sanitaires uniquement.)

Réduction des contaminants	Moyenne d'influents	Concentrations de contrôle indiquée dans la norme NSF	Réduction moyenne en %	Concentration moyenne du produit dans l'eau	Concentration max. autorisée du produit dans l'eau	Exigences de réduction de la NSF	Rapport du test de la NSF
Goût et odeur de chlore	2,0 mg/L	2,0 mg/L ± 10 %	97,5 %	0,05 mg/L	N/A	≥ 50 %	J-00056501
Valeur nominale de particules Classe I, ≥ 0,5 à < 1,0 µm	13 666 667 particules/mL	Au moins 10 000 particules/mL	98,9 %	143 333 particules/mL	N/A	≥ 85 %	J-00056506
Amiante	96 MF/L	10 ⁷ à 10 ⁸ fibres/L; fibres de longueur supérieure à 10 µm	> 99 %	< 1 MF/L	N/A	≥ 99 %	J-00056511
Atrazine	0,010 mg/L	0,009 mg/L ± 10 %	89,3 %	0,001 mg/L	0,003 mg/L	N/A	J-00056512
Kystes*	122 500 kystes/L	Minimum 50 000 kystes/L	99,99 %	1 kyste/L	N/A	≥ 99,95 %	J-00056513
Plomb au pH 6,5	0,153 mg/L	0,15 mg/L ± 10 %	99,3 %	0,001 mg/L	0,010 mg/L	N/A	J-00056515
Plomb au pH 8,5	0,150 mg/L	0,15 mg/L ± 10 %	99,3 %	0,001 mg/L	0,010 mg/L	N/A	J-00058784
Lindane	0,002 mg/L	0,002 mg/L ± 10 %	97,8 %	0,00004 mg/L	0,0002 mg/L	N/A	J-00058969
Mercure au pH 6,5	0,006 mg/L	0,006 mg/L ± 10 %	95,0 %	0,0003 mg/L	0,002 mg/L	N/A	J-00058785
Mercure au pH 8,5	0,006 mg/L	0,006 mg/L ± 10 %	88 %	0,0007 mg/L	0,002 mg/L	N/A	J-00058783
Toxaphène	0,015 mg/L	0,015 mg/L ± 10 %	93,2 %	0,001 mg/L	0,003 mg/L	N/A	J-00056531
Turbidité	10,8 uTN	11 ± 1 uTN	98,7 %	0,153 uTN	0,5 uTN	N/A	J-00058972

*Basé sur l'utilisation de *cryptosporidium parvum* oocystes

Caractéristiques d'exploitation

Capacité : Certifiée jusqu'à 750 gallons (2 838 L); pendant 9 mois maximum
 Pression exigée : 20 à 120 lb/po² (1,4 à 8,2 bars)
 Température : 33 à 100 °F (0,6 à 37,8 °C)
 Débit : 0,78 Gallons/min (2,9 L/min)

Vérifiez la conformité aux lois et réglementations locales et nationales.

Remarque : Même si les tests ont été effectués dans des conditions de laboratoire standard, la performance réelle peut varier.

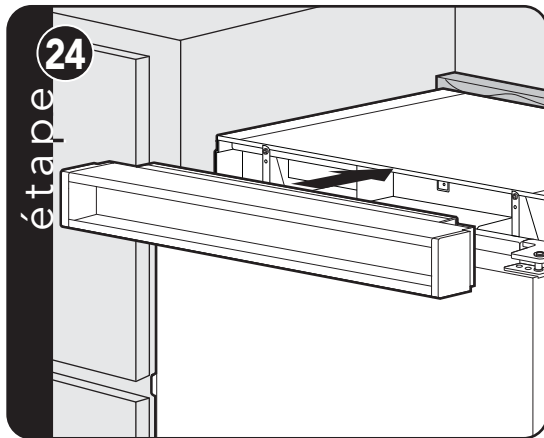
L'installation et l'utilisation doivent être conformes aux directives et aux procédures recommandées par le fabricant. Les instructions d'installation, la disponibilité des pièces et du service et la garantie standard sont fournies avec le produit à l'expédition. Ce système d'eau potable doit être entretenu conformément aux instructions du fabricant, y compris le remplacement des cartouches-filtres.

Fabriqué par : 3M Purification Inc.
 400 Research Parkway
 Meriden, CT 06770

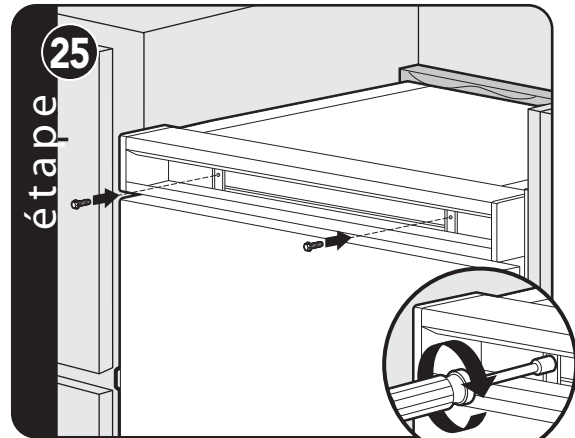
Systeme testé et certifié par NSF International en rapport avec la norme 42 pour la réduction du goût et de l'odeur de chlore, les particules de catégorie I et la norme 53 pour la réduction du plomb, du lindane, de l'atrazine, du mercure, du toxaphène, des kystes, de la turbidité et de l'amiante.



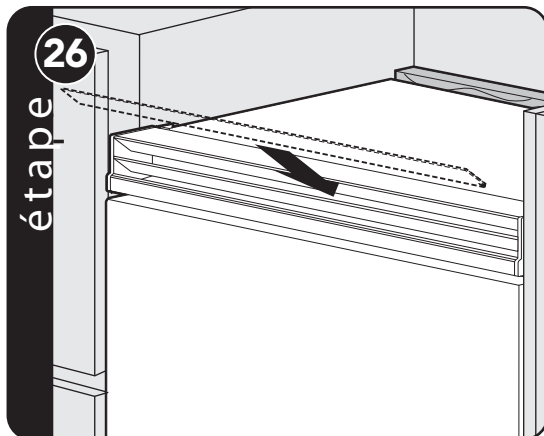
Installation finale



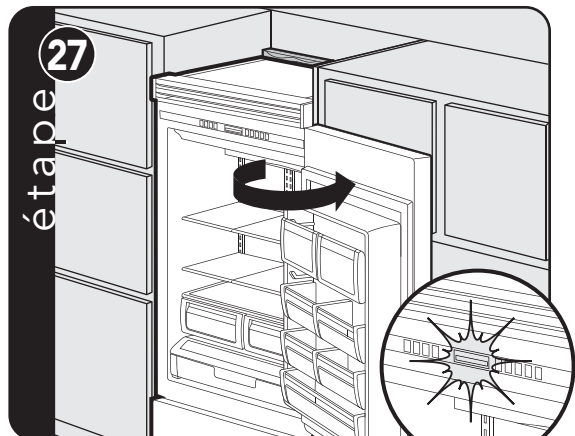
Remettez la grille d'aération supérieure en place.



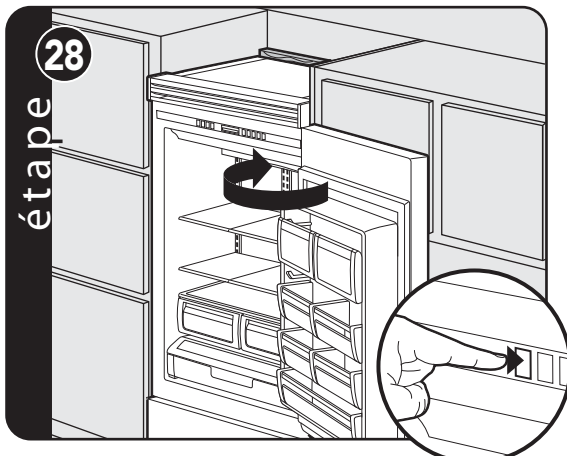
À l'aide d'un tourne-écrou magnétique de 8 po (20,3 cm), retirez les deux vis de 1/4 po (0,6 cm).



Reposez la lame de la grille centrale en place.



Ouvrez la porte. L'affichage doit clignoter.



Appuyez sur la touche « ACTIVATE CONTROLS » et fermez la porte. **Remarque :** Il y a un décalage de 6 minutes avant la mise en marche de l'appareil.

Liste de contrôle de performance

- Vérifiez les dimensions des placards.
- Vérifiez l'alimentation électrique et en eau (le cas échéant).
- Installez les dispositifs anti-basculement et assurez-vous que l'appareil est solidement fixé.
- Placez l'appareil dans la découpe, calez-le à la hauteur souhaitée et fixez-le.
- Branchez l'appareil et vérifiez son fonctionnement.
- Raccordez au réseau d'eau (le cas échéant).
 - Assurez-vous que le tube de remplissage de la machine à glaçons est correctement inséré.
 - Assurez-vous que le bras de la machine à glaçons est abaissé.
 - Assurez-vous que le distributeur fonctionne (le cas échéant).
- Alignez les portes au carré.
- Assurez-vous que le bac de vidange est correctement installé et que le raccord d'eau ne fuit pas.
- Installez le garde-pieds.
- Retirez l'emballage et les étiquettes intérieurs et essuyez au chiffon.

Informations sur l'installateur :

Nom de l'installateur : _____

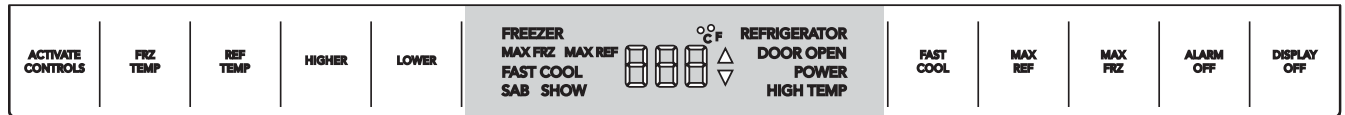
Entreprise d'installation : _____

Date : _____

Vérification du fonctionnement

Panneaux de commande

Congélateur monté au bas



1. Appuyez sur la touche « ACTIVATE CONTROLS ».

2. Vérifiez que l'appareil n'est pas en mode Shabbath.

S'il est en mode Shabbath :

A. Le mode Shabbath désactive l'éclairage intérieur, l'affichage (sauf le voyant SAB, le voyant de température et le voyant du compartiment) et l'alarme.

Pour quitter le mode Shabbath :

B. Appuyez en continu sur la touche « ACTIVATE CONTROLS », puis sur « DISPLAY OFF » pendant trois secondes. (La commande émet trois bips pour signaler à l'utilisateur la désactivation du mode Shabbath.)

3. Vérifiez que l'appareil n'est pas en mode Démonstrateur.

S'il est en mode Démonstrateur :

A. Le mode Démonstrateur désactive le système de réfrigération, mais toutes les autres fonctions sont normales, notamment, l'éclairage et les commandes. (Si le réfrigérateur est en mode Démonstrateur, le voyant SHOW sera allumé.)

Pour quitter le mode Démonstrateur :

B. Gardez la touche « ACTIVATE CONTROLS » enfoncée; sans la relâcher, appuyez simultanément sur les touches « HIGHER » et « ALARM OFF ». (La commande émet trois bips pour signaler à l'utilisateur la désactivation du mode Démonstrateur.)

4. Appuyez sur la touche « ACTIVATE CONTROLS » puis appuyez et maintenez la touche « LOWER » enfoncée; sans la relâcher, appuyez sur et maintenez la touche « DISPLAY OFF » enfoncée et maintenez jusqu'au bip sonore (force le démarrage du compresseur).

5. Tous les modèles doivent être réglés à 38 °F et 0 °F (3 °C et -18 °C) pour le réfrigérateur et le congélateur (réglage usine).

Service après-vente et enregistrement

Si un Service après vente (SAV) s'impose, appelez votre un centre de réparation agréé.

Soyez prêt à fournir les informations suivantes.

- Numéro de modèle
- Numéro de série
- Date d'achat
- Nom du revendeur où vous avez fait l'achat.

Décrivez clairement votre problème. Si vous ne pouvez pas obtenir les coordonnées d'un centre de réparation agréé le plus proche ou si vos problèmes persistent, contactez au 1-888-845-4641 ou écrivez à :

SERVICE PRIVILÉGIÉ
111 Front Street
Greenwood, Mississippi 38930 USA

Notez les renseignements indiqués ci-dessous. Vous en aurez besoin pour tout service après-vente nécessaire.

Le numéro de série et le numéro de modèle de votre appareil se situent sur la plaque d'identification fixée derrière l'ampoule du haut.

N° de modèle _____

N° de série _____

Date d'achat _____

Date d'installation _____

Nom du revendeur _____

Adresse _____

Si le dépannage exige l'installation de pièces, utilisez uniquement des pièces agréées afin d'assurer la protection dans le cadre de la garantie.

Conservez ce manuel à titre de référence future.

AGA Marvel

1260 E. VanDeinse St.

Greenville, MI 48838

Pour toute information concernant le produit,

appelez 1-800223-3900

ou visitez le site Web à www.agamarvel.com



AGA MARVEL

Guía de Instalación

Refrigerador/
Congelador
Integrado
(Panel Personalizado)

MP36BF2



Índice

Advertencias e información importante	3
Dimensiones y especificaciones 36" (91,5 cm)	5
Dimensiones del corte 36" (91,5 cm)	7
Dimensiones antivolcadura 36" (91,5 cm)	8
Dimensiones de los paneles de cubierta de 36" (91,5 cm)	9
Dimensiones de la rejilla personalizada de 36" (91,5 cm)	10
Información del gabinete	12
Dimensiones del panel lateral personalizado	13
Información general acerca del panel personalizado	14
Instalación del panel personalizado de la puerta (refrigerador o congelador)	14
Inserto de la moldura de la puerta	17
Corte de la manija del panel personalizado	17
Instalación de la rejilla personalizada	18
Información general	20
Desplazamiento de la unidad	21
Instalación	22
Ajuste de la bisagra	23
Instalación del panel de protección de la base	26
Ajuste del tope de la puerta	26
Especificaciones del sistema del filtro de agua	27
Instalación final	28
Lista de comprobación de funcionamiento	29
Paneles de control	30
Servicio y registro	31

IMPORTANTE – ¡Por favor lea y preste atención!

- Compruebe que el voltaje entrante es el mismo de la unidad. Hay una placa con las características eléctricas adherida a la unidad, que especifica el voltaje, la frecuencia, el vataje, el amperaje y la fase.
- Para reducir el riesgo de incendio, descarga eléctrica, o lesiones personales, el trabajo de instalación y cableado debe ser realizado por un técnico calificado de acuerdo con todos los códigos y normas aplicables, incluida la construcción contra incendios.
- El instalador debe entregar estas instrucciones al usuario, quien las debe guardar para cuando las requiera el inspector local y para referencia futura.

Queda bajo su responsabilidad:

- cumplir con las especificaciones y dimensiones de la instalación,
- instalar correctamente la unidad,
- quitar cualquier moldura o panel decorativo que obstaculice prestarle servicio a la unidad,
- confirmar que tiene los siguientes materiales (no entregados con la unidad), los cuales son necesarios para poder hacer la instalación correctamente;
- tubería de cobre de 1/4" (6 mm) con válvula de cierre
- 6 – tornillos para madera N.º 8 × 3" (7,6 cm) (se pueden necesitar tornillos más largos)
- 1 – Válvula de abrazadera (**NO USE** el sistema de autoperforación de la válvula)
- comprobar que el piso puede soportar la unidad, los paneles de la puerta y los componentes que contiene (aproximadamente 1200 lb [540 kg]),
- disponer de una toma de corriente con la conexión a tierra apropiada,
- comprobar que el sitio donde se va ubicar la unidad permita que la puerta abra 90° como mínimo.

Su seguridad y la de los demás es fundamental.

Hemos incluido muchos mensajes de seguridad importantes en este manual y en el refrigerador. Lea y cumpla siempre todos los mensajes de seguridad



Este es el símbolo de alerta de seguridad. Este símbolo lo pone en alerta sobre las situaciones de peligro que pueden causarle la muerte o lesiones a usted y a otras personas.

Todos los mensajes de seguridad irán precedidos del símbolo de alerta de seguridad y la palabra "PELIGRO" o "ADVERTENCIA". Estas palabras significan:



PELIGRO

Prácticas peligrosas o arriesgadas que provocarán graves lesiones personales o incluso la muerte.



ADVERTENCIA

Prácticas peligrosas o arriesgadas que pueden provocar graves lesiones personales o incluso la muerte.

Todos los mensajes de seguridad identificarán el peligro, le dirán cómo reducir el riesgo de sufrir lesiones y qué puede pasar si no cumple las instrucciones.

IMPORTANTE – ¡Por favor lea y preste atención!

Se deberá usar un interruptor de circuito con conexión a tierra si así lo exigiera NFPA-70 (Código de Electricidad Estadounidense), las leyes federales/estatales/locales o las ordenanzas locales.

- La exigencia respecto al uso de un interruptor de circuito con conexión a tierra se relaciona generalmente con la posición del tomacorriente respecto a fuentes importantes de agua o humedad.
- La garantía de AGA Marvel NO cubrirá ningún problema ocasionado por tomacorrientes con interruptor de circuito con conexión a tierra que no hayan sido instalados correctamente o que no cumplan los requisitos establecidos a continuación.

Si es necesario el uso de un interruptor de circuito con conexión a tierra, este debe:

- ser del tipo del tomacorriente (NO se recomienda el tipo disyuntor o portátil)
- ser usado con cables permanentes únicamente (NO se recomienda el cableado temporario o portátil)
- estar en un circuito dedicado (no debe haber otros tomacorrientes, interruptores o cargas en el circuito)
- estar conectado a un disyuntor estándar de tamaño adecuado (no se recomienda un disyuntor de interruptor de circuito con conexión a tierra del mismo tamaño)
- estar clasificado para la Clase A (corriente de disparo de 5 mA \pm 1 mA) según la norma UL 943)
- estar en buena condición y no tener ningún empaque flojo (si corresponde, en exteriores)
- estar protegido de la humedad (agua, vapor y humedad alta) tanto como sea posible.

⚠ ADVERTENCIA

PELIGRO DE VOLCADURA
La unidad es muy pesada y se ladea fácilmente cuando no está completamente instalada. Mantenga las puertas cerradas hasta que la unidad esté completamente instalada y asegurada de acuerdo con las instrucciones.

Para mover e instalar este electrodoméstico son necesarias dos o más personas. Omitir esta precaución puede causar la muerte o lesiones graves.

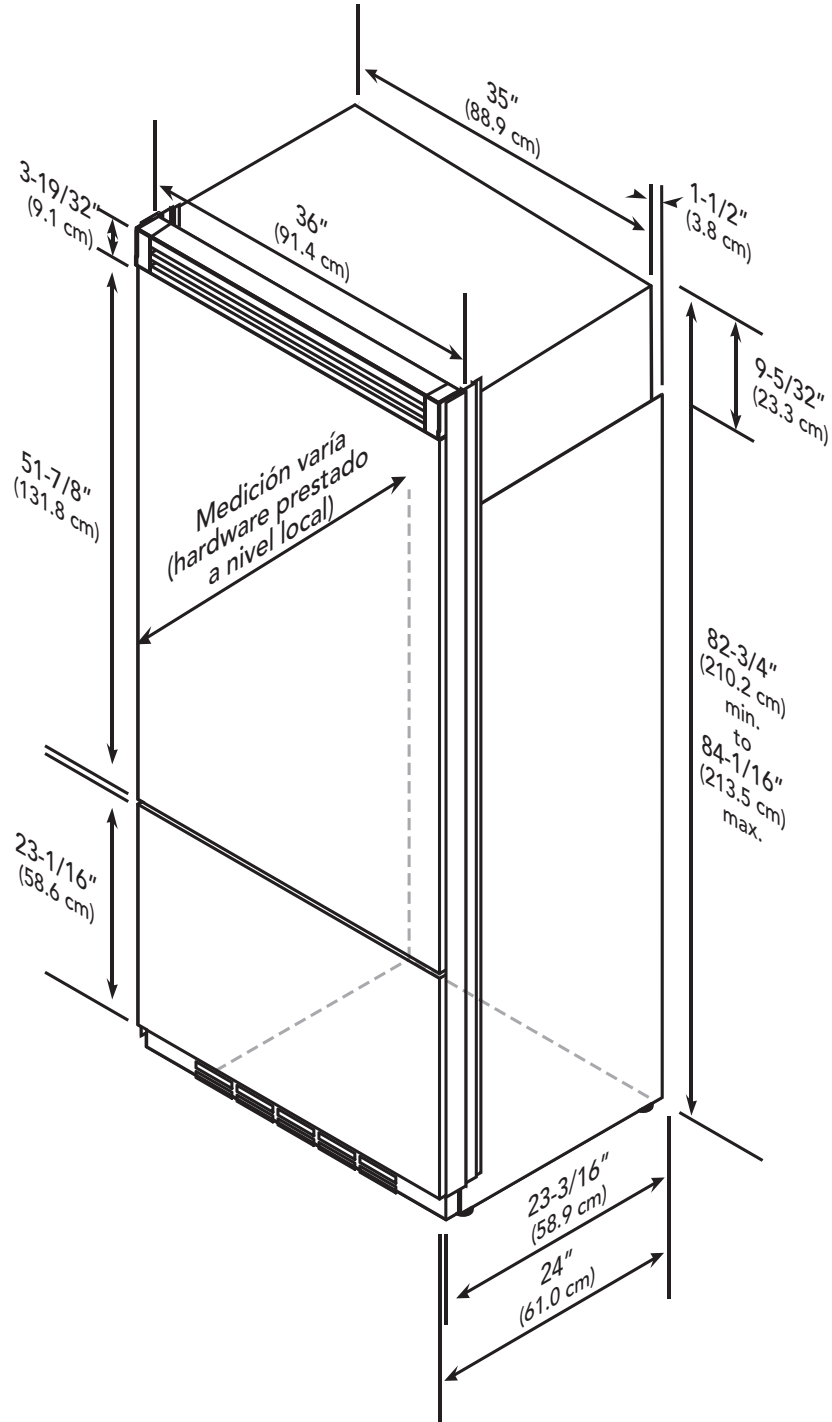
⚠ ADVERTENCIA

PELIGRO DE CHOQUE ELÉCTRICO
Desconecte la corriente o coloque el interruptor de corriente en la posición "OFF" (APAGADO) antes de quitar la rejilla superior. Omitir esta precaución puede causar la muerte o choque eléctrico.

La mayor parte del peso de la unidad está en la parte superior. Se necesita tener mucho cuidado al mover la unidad para evitar que se vuelque. Coloque material de empaque de cartón o madera laminada debajo de la unidad hasta que esté instalada en el sitio en donde va a funcionar, para proteger la superficie del piso.

Dimensiones (Con congelador abajo)

Con congelador abajo de 36" (91,5 cm)

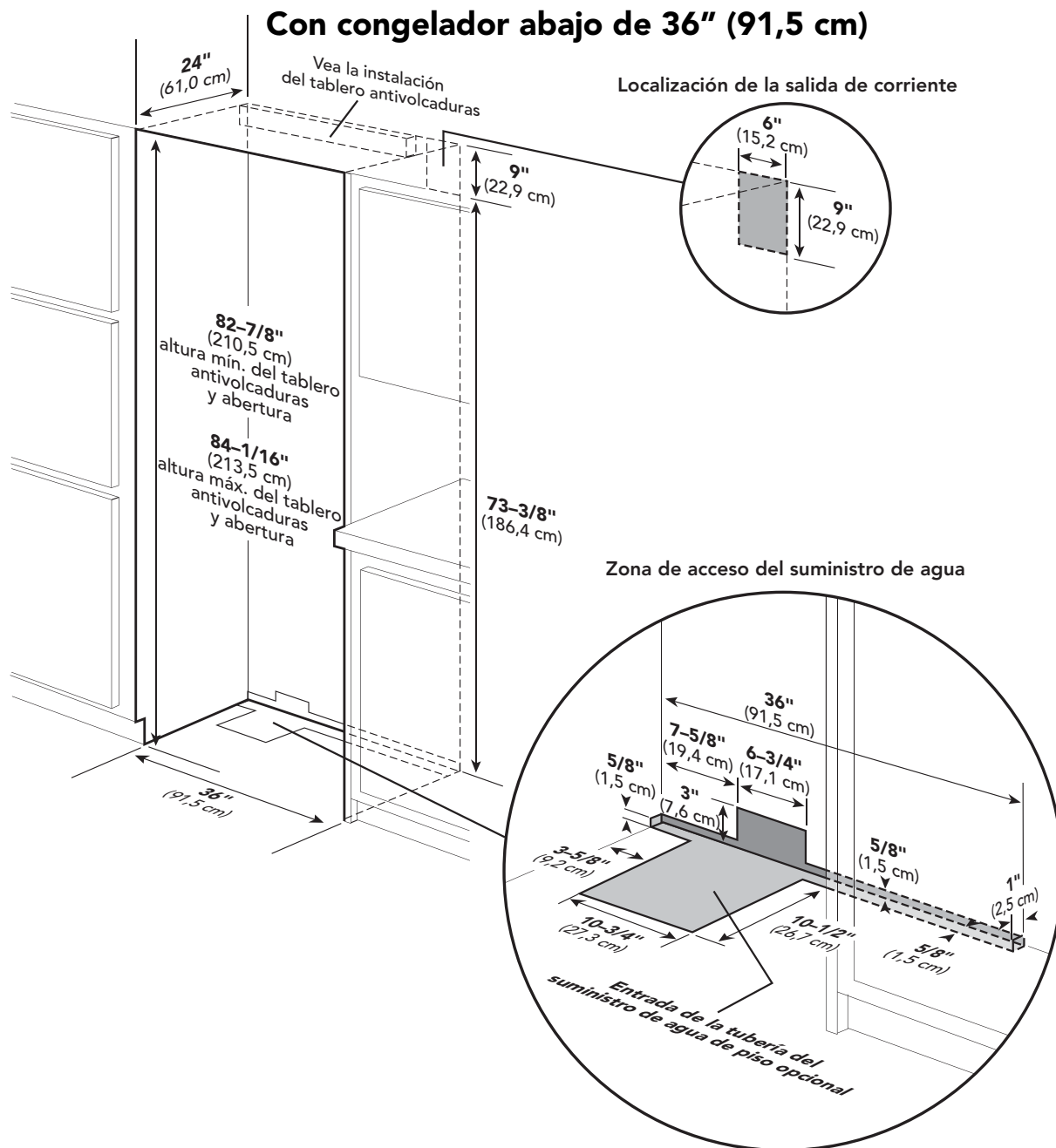


Especificaciones (Con congelador abajo)

Con congelador abajo de 36" (91,5 cm)	
Descripción	MP36BF2
Ancho total	36" (91,5 cm)
Altura total desde la parte inferior	82-3/4" (210,2 cm) mín. a 84-1/16" (213,5 cm) máx.
Profundidad total desde la parte de atrás	Hasta el borde del frente de la moldura lateral: 23-13/16" (60,5 cm) Hasta el frente de la rejilla de la parte superior: 24" (61,0 cm)
Ancho del corte	36" (91,5 cm)
Alto del corte	82-7/8" (210,5 cm) mín. a 84-1/16" (213,5 cm) máx.
Profundidad del hueco	24" (61,0 cm) mín.*
Requisitos eléctricos	circuito dedicado de 115 voltios, 60 Hz, 15 amperios; cable de 3 alambres con enchufe de tres clavijas con protección a tierra conectado al producto
Uso máximo de amperios	9,9 amperios
Requisitos de tubería de entrada del agua	tubería de cobre de 1/4" (0,6 cm) para la entrada del agua; presión mínima 20 lb/pulg ² (1,4 bares); máxima 120 lb/pulg ² (8,3 bares)
Dimensiones interiores totales	
Refrigerador	15,3 pies cúb. (434 litros)
Congelador	5,1 pies cúb. (145 litros)
Capacidad total	20,4 pies cúb. (579 litros)
Peso máximo del panel	alimentos frescos 45 lb (20,4 kg) congelador 20 lb (9,0 kg)
Peso de embarque aproximado	500 lb (227,3 kg)

***Nota:** los modelos con panel personalizado encajan perfectamente en huecos de gabinete de 25" (63,5 cm) de profundidad. Pueden instalarse en aberturas normales de 24" (61,0 cm) de profundidad. Los frentes de la puerta y la rejilla superior sobresaldrán 3/4" (1,9 cm) hacia afuera.

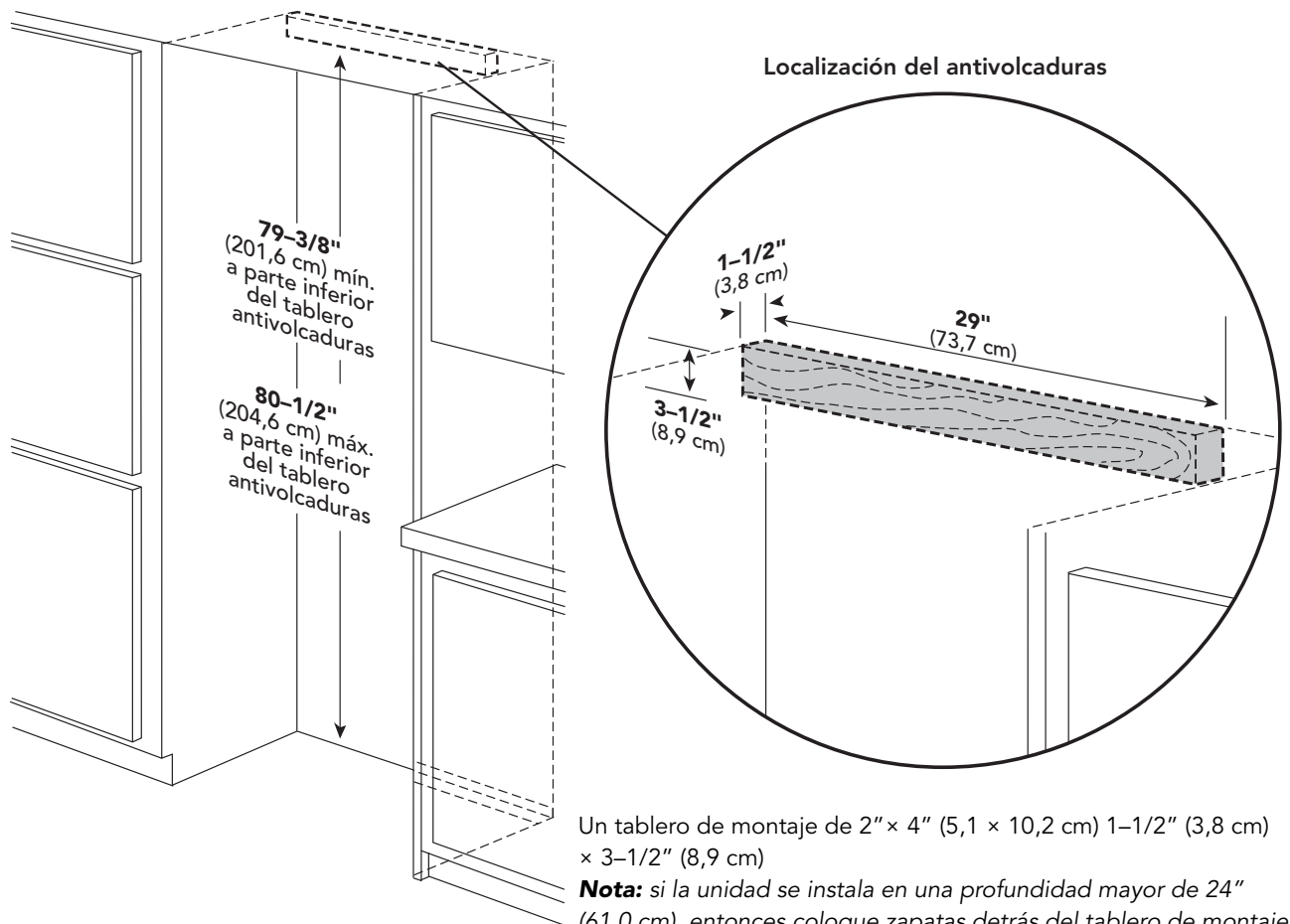
Dimensiones del corte (Con congelador abajo)



Dimensiones del panel antivolcadura

(Con congelador abajo)

Con congelador abajo de 36" (91,5 cm)



Un tablero de montaje de 2" x 4" (5,1 x 10,2 cm) 1-1/2" (3,8 cm) x 3-1/2" (8,9 cm)

Nota: si la unidad se instala en una profundidad mayor de 24" (61,0 cm), entonces coloque zapatas detrás del tablero de montaje por la diferencia.

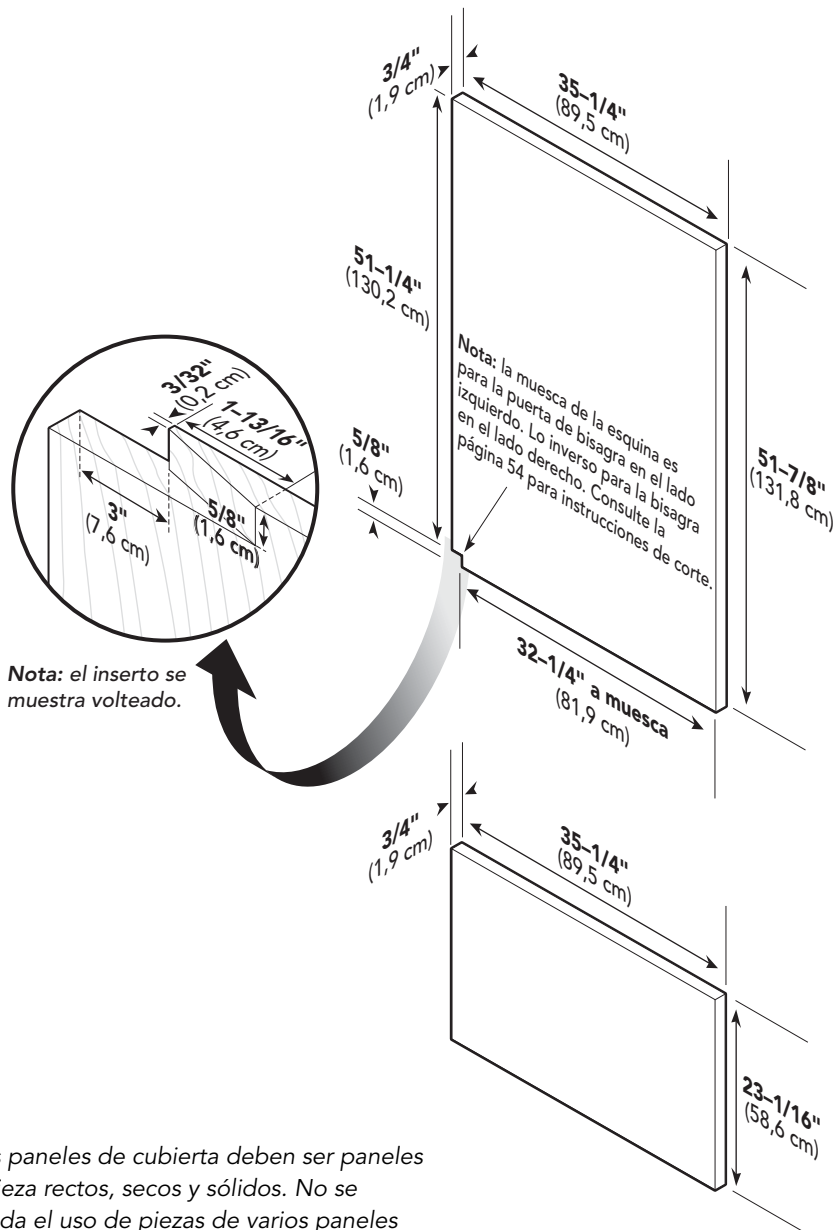
La parte inferior del tablero antivolcaduras está 3-7/8" (9,8 cm) debajo de la parte de arriba de la abertura.

Nota: la parte superior de la unidad debe quedar firmemente colocada debajo del tablero antivolcaduras.

Dimensiones de los paneles de cubierta

(Con congelador abajo)

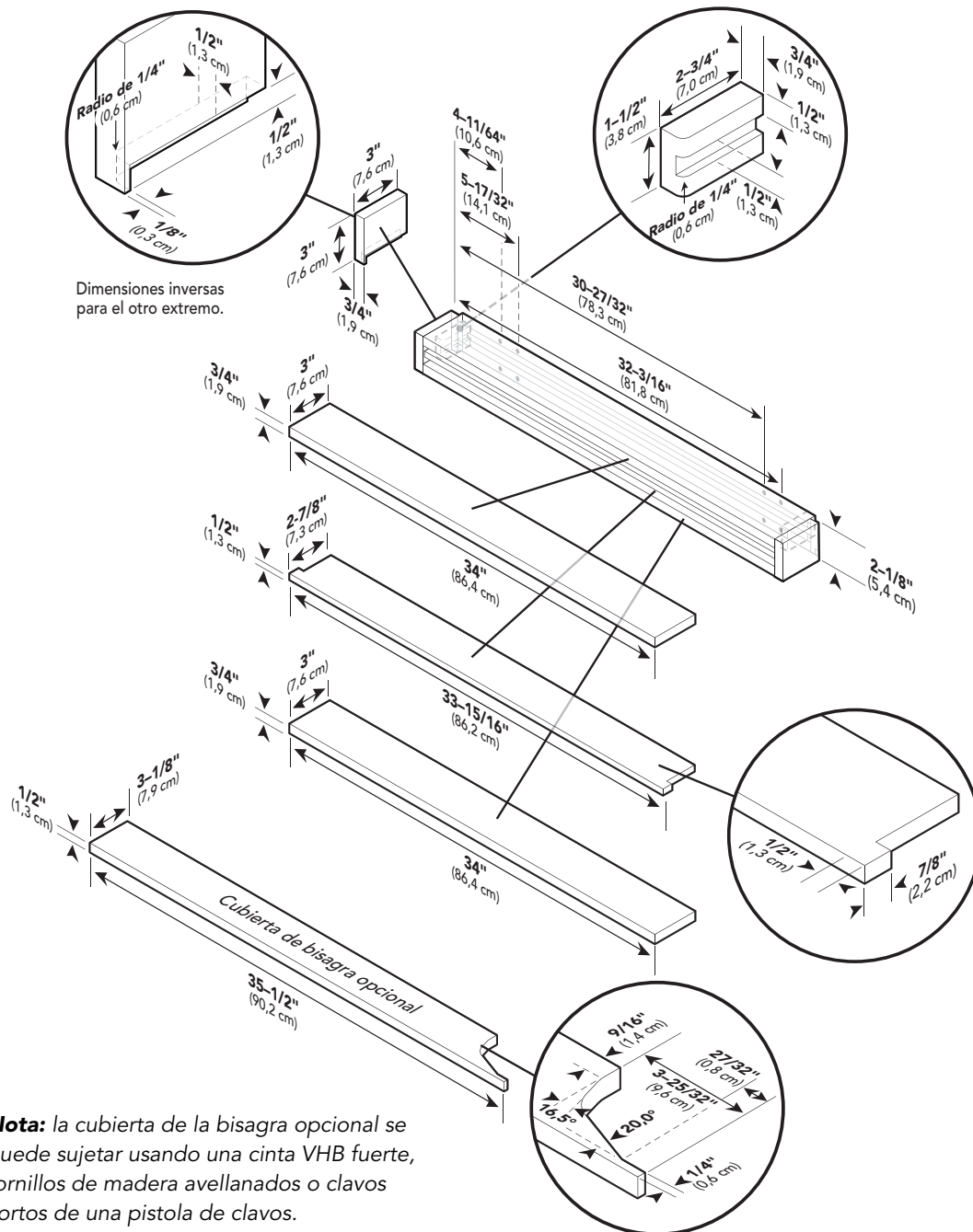
Paneles personalizados de 36" (91,5 cm)



Dimensiones de la rejilla personalizada

(Con congelador abajo)

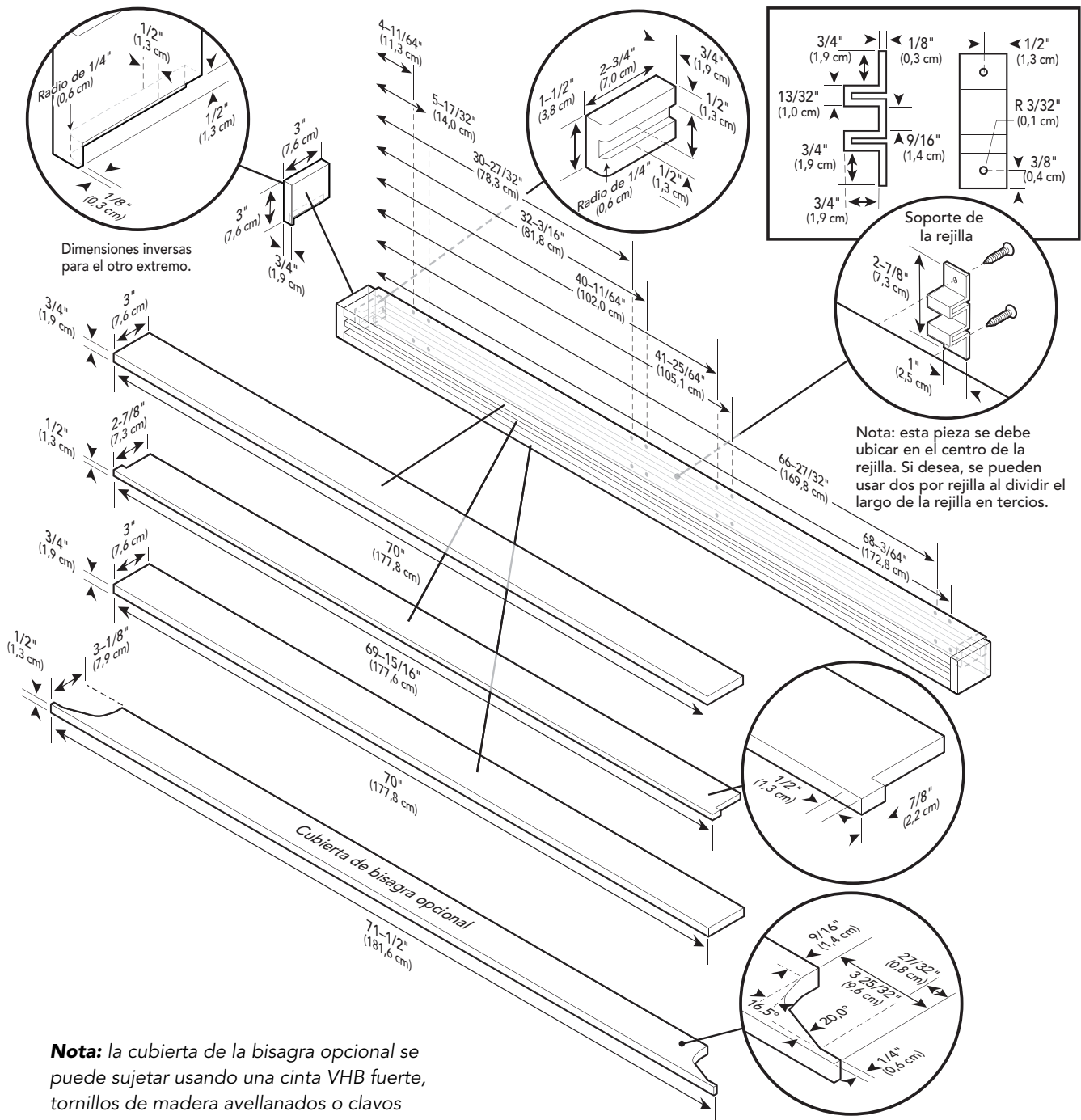
Rejilla personalizada de 36" (91,5 cm)



Dimensiones de la rejilla personalizada

(Con congelador abajo)

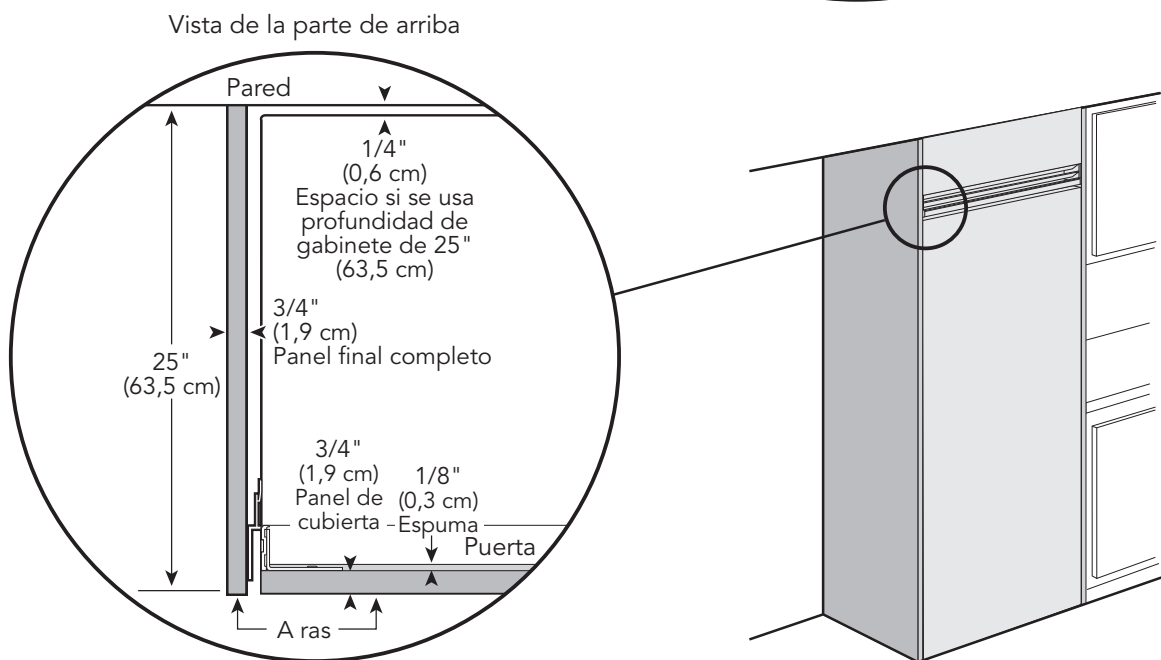
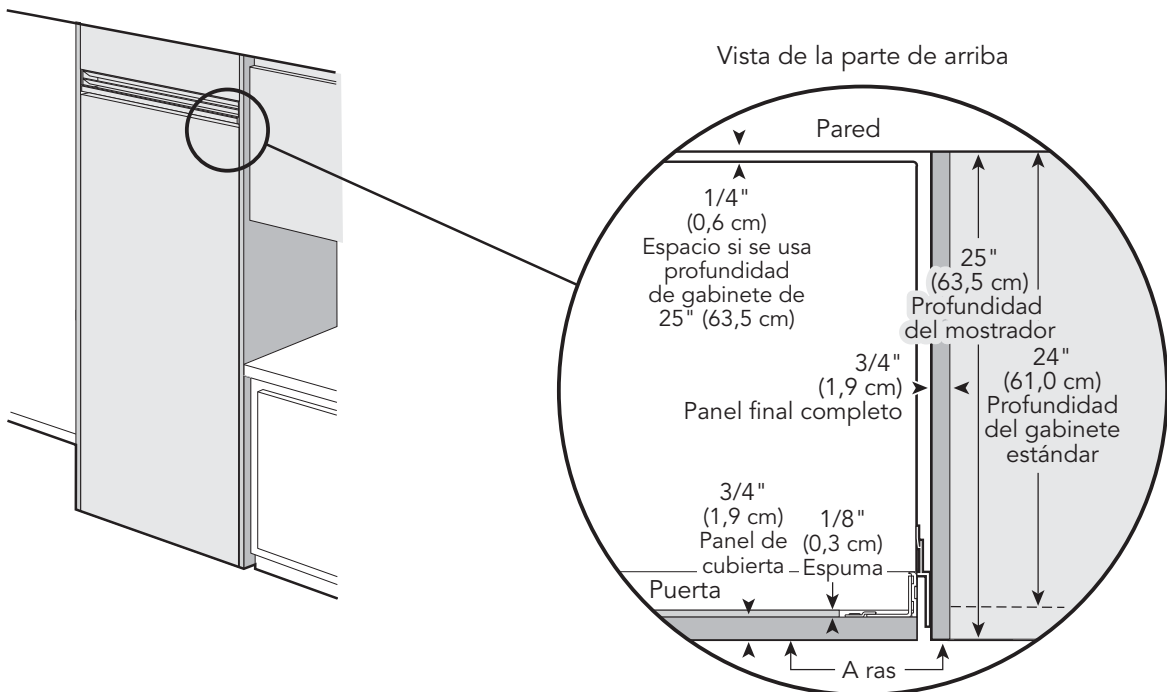
Rejilla personalizada doble de 36" (91,5 cm)



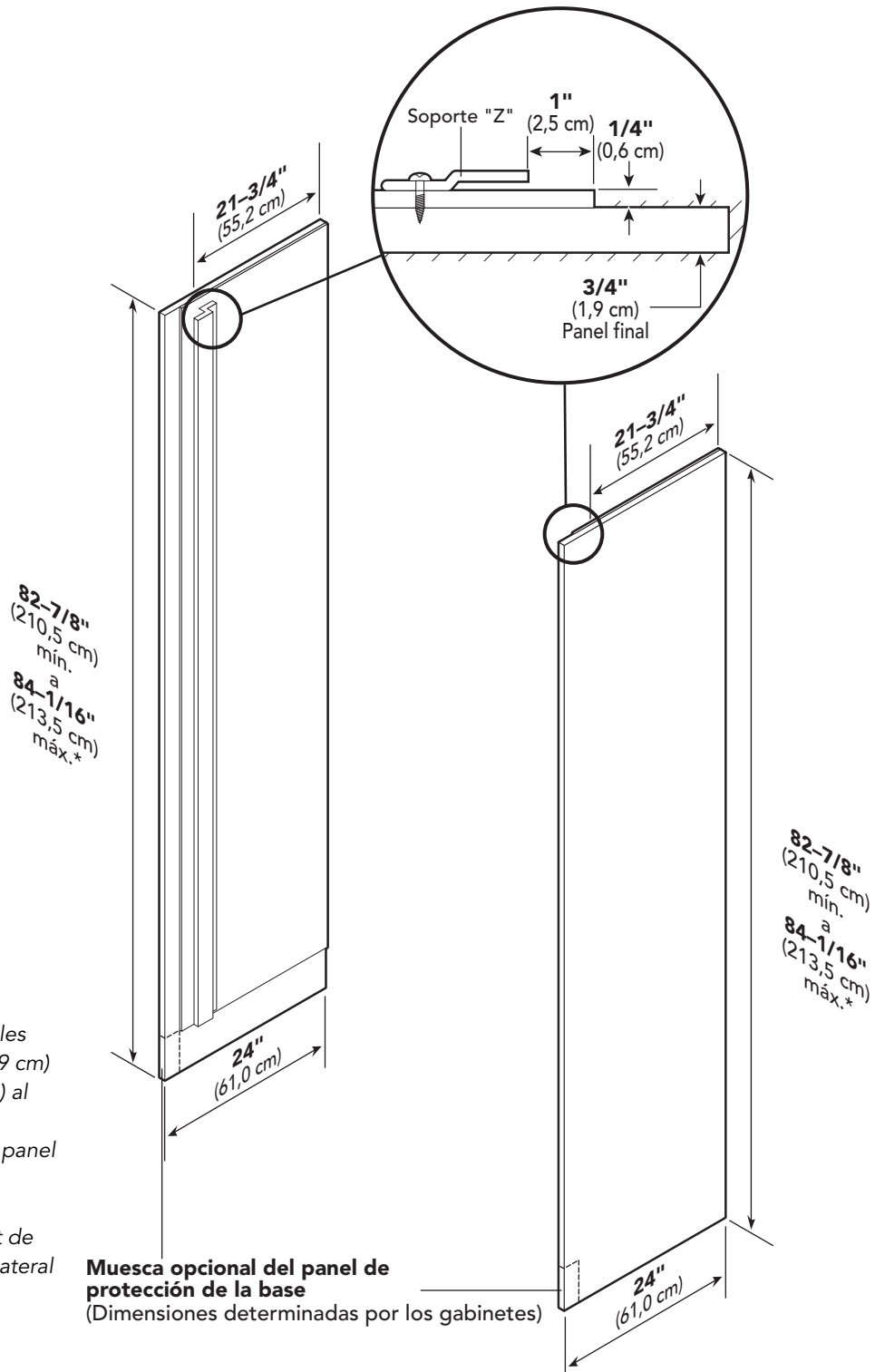
Nota: la cubierta de la bisagra opcional se puede sujetar usando una cinta VHB fuerte, tornillos de madera avellanados o clavos cortos de una pistola de clavos.

Información del gabinete

Los modelos con panel personalizado, (con paneles de 3/4" [1,9 cm], de espesor y manijas personalizadas suministrados localmente), caben perfectamente en huecos de gabinete de 25" (63,5 cm) de profundidad (la profundidad del mostrador) sin sobresalir hacia afuera, excepto por las manijas personalizadas.



Dimensiones del panel lateral personalizado



Nota: agregar paneles laterales de 3/4" (1,9 cm) agrega 3/4" (1,9 cm) al ancho completo del producto para cada panel lateral usado.

Nota: requiere el kit de tornillería de panel lateral (SPHKDS).

***Nota:** depende de la altura a la que se hayan levantado las patas de nivelación y de la altura del gabinete.

Información general acerca del panel personalizado

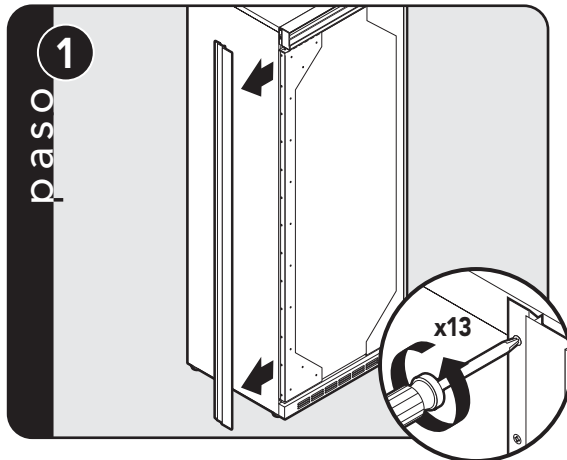
Opciones personalizadas de acabado

- Todas las instalaciones deben permitir que las puertas del refrigerador y el congelador se abran como mínimo 90°.
- En las instalaciones en paredes laterales o esquinas, deje espacio para un relleno de gabinete común de 3" (7,6 cm) para asegurarse de que la(s) puerta(s) se abra(n) a 90°.

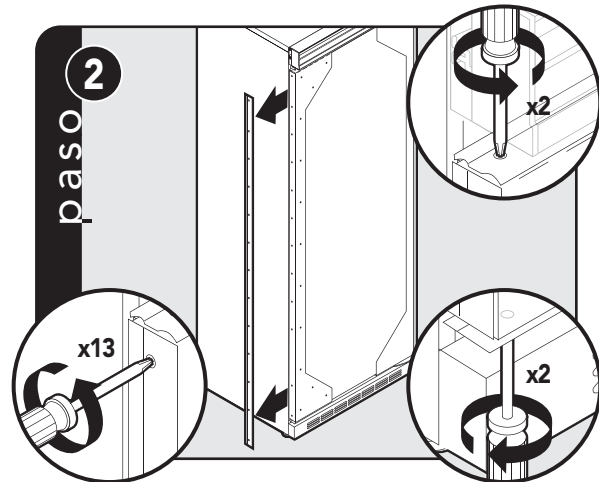
Nota: si se usa la manija personalizada puede ser necesario utilizar un relleno más ancho.

- El grosor del panel no debe ser superior a 1" (2,5 cm) en el lado de la bisagra. Los paneles de mayor grosor interferirán con el giro de la puerta y el espacio libre.
- Puerta panel s debe instalarse después de que el refrigerador ha sido conectado durante al menos 24 horas.

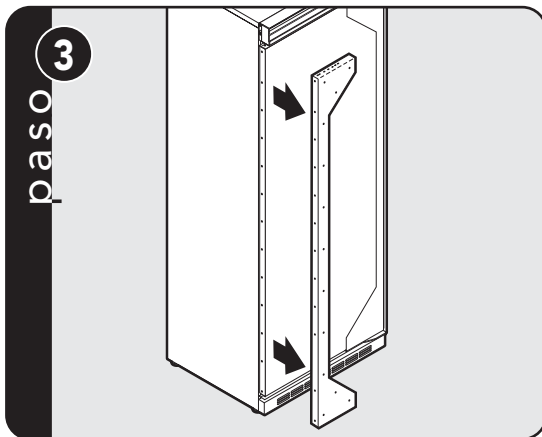
Instalación del panel personalizado de la puerta (Refrigerador o congelador)



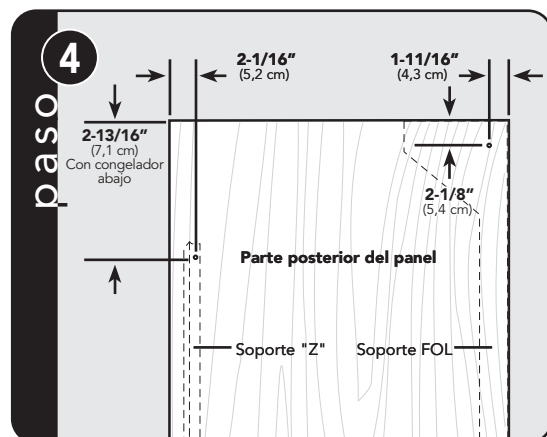
Retire los tornillos del gabinete del lado de la manija y la moldura con un destornillador de estrella.



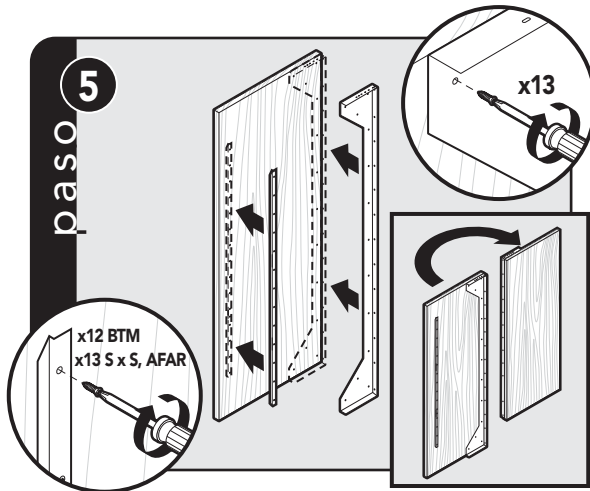
Retire todos los tornillos de la moldura de la puerta del lado de la manija. Retire dos tornillos de la moldura de la puerta inferior y superior. Retire la moldura de la puerta del lado de la manija.



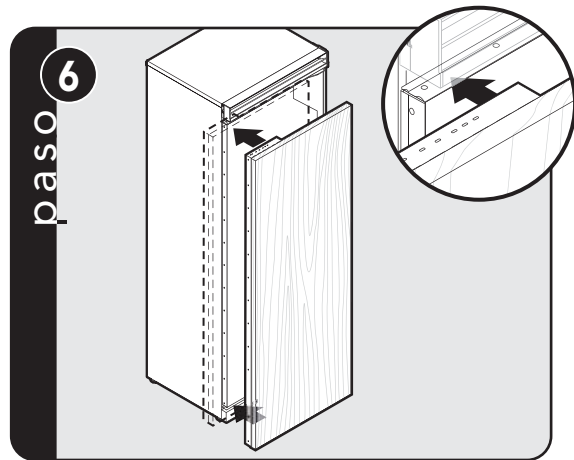
Retire el soporte.



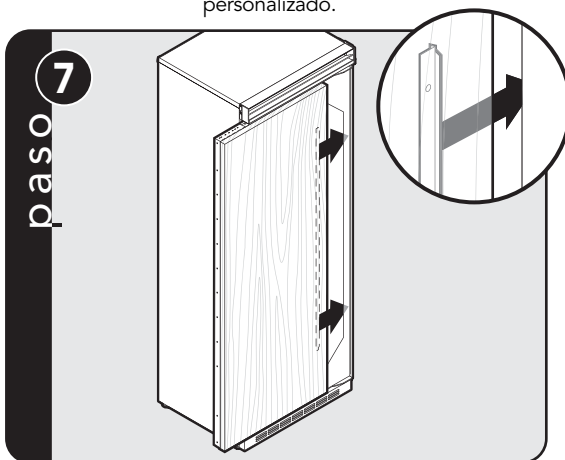
Mida y marque el primer orificio para cada soporte.



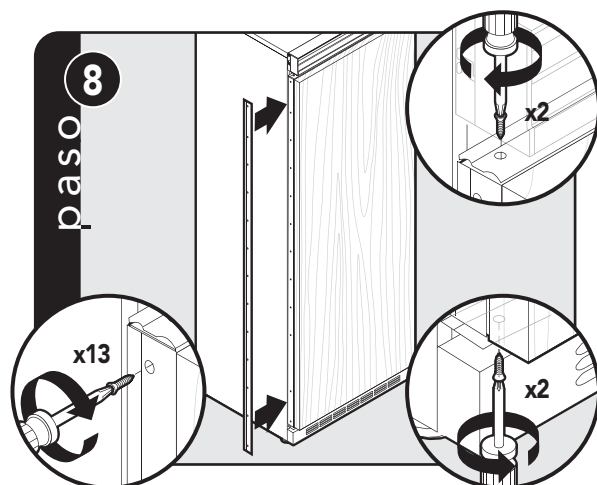
Coloque el soporte en "Z" en el lado de la bisagra del panel personalizado. Coloque el soporte en el lado de la manija del panel personalizado.



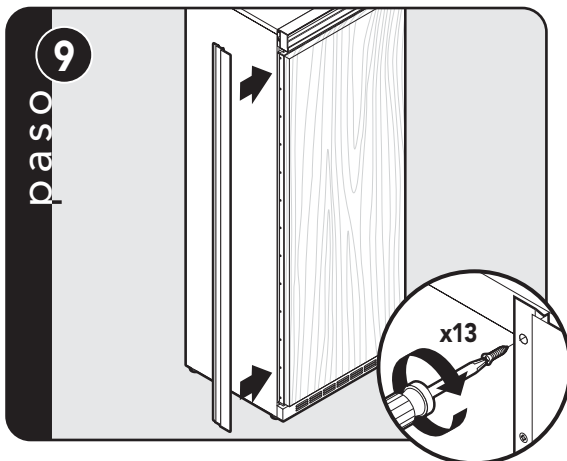
Presione el panel de madera personalizado sobre la puerta.



Deslice el panel de madera personalizado hacia el lado de la bisagra y asegúrese de que el soporte en forma de "Z" quede enganchado en el soporte de la puerta.



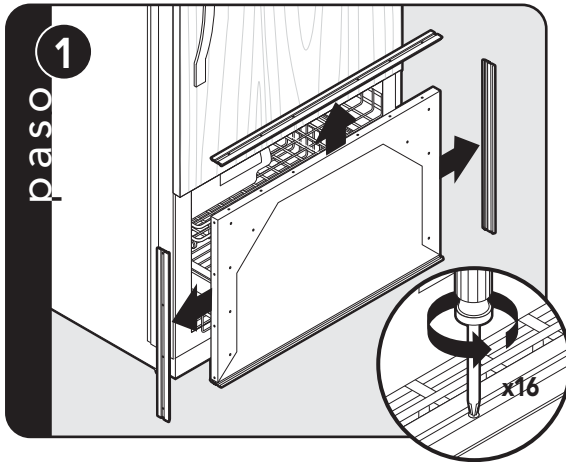
Vuelva a instalar la moldura de la puerta de lado de la manija y los tornillos de la moldura.



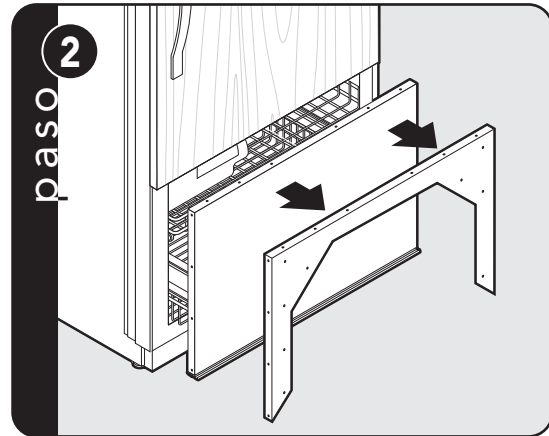
Vuelva a instalar la moldura del gabinete y los tornillos.

Instalación del panel personalizado de la puerta del congelador

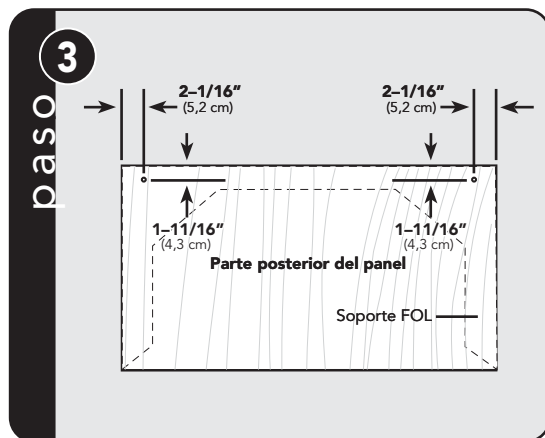
(Sólo con congelador abajo, cont.)



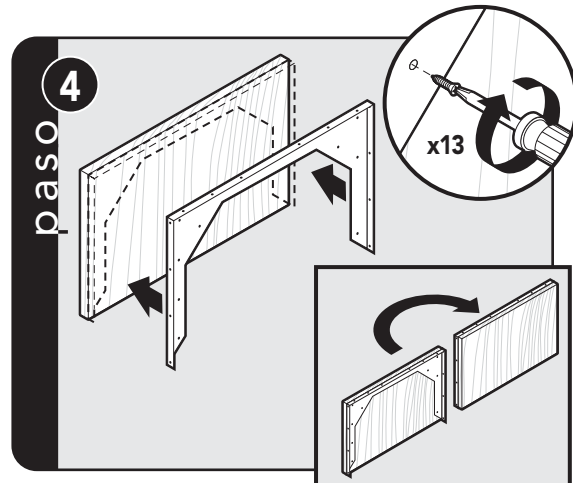
Abra la puerta del congelador. Retire los tornillos de la moldura de la puerta y la moldura con un destornillador de estrella.



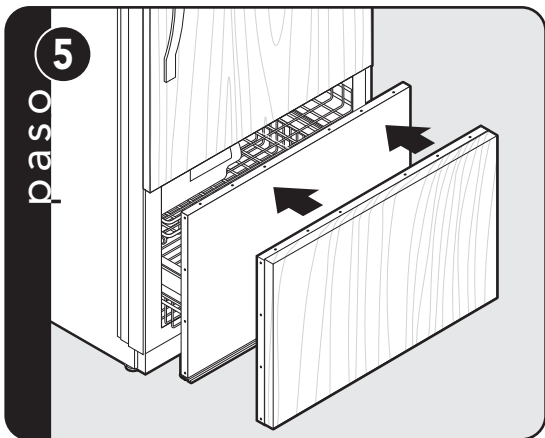
Retire el soporte.



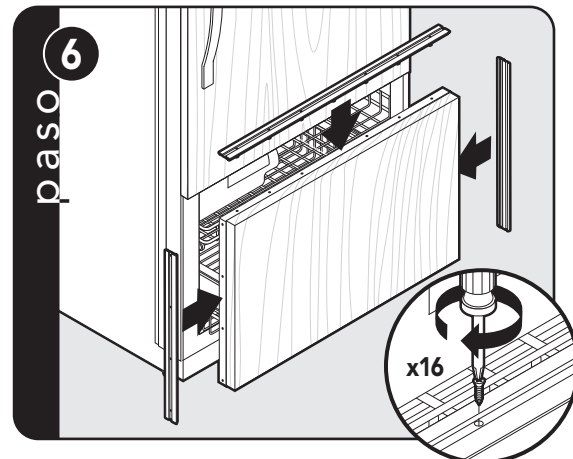
Mida y marque el primer orificio en cada lado del soporte.



Sujete el soporte al panel personalizado.

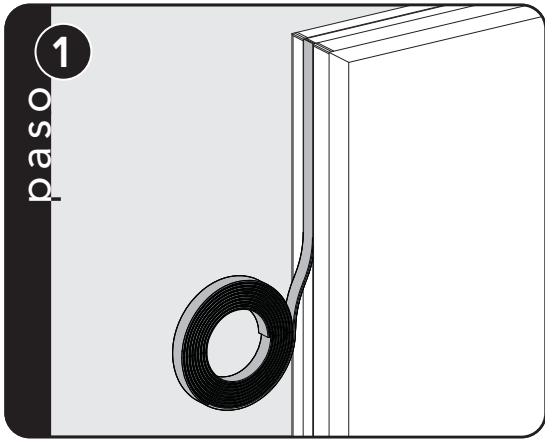


Alinee y deslice el panel de madera personalizado sobre la puerta.



Vuelva a instalar la moldura de la puerta y los tornillos de la moldura.

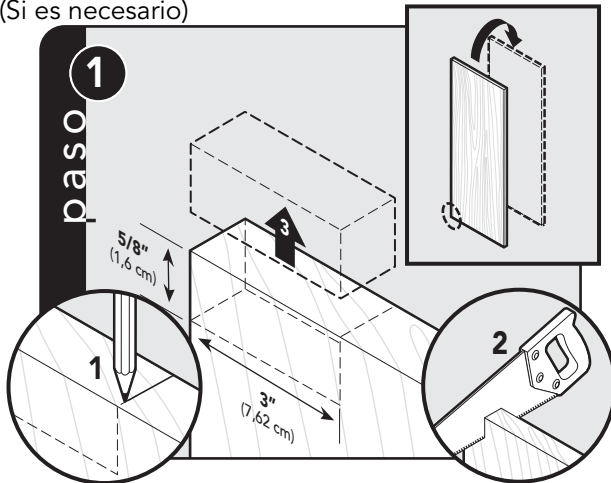
Coloque la banda de ajuste en la moldura de la puerta



Coloque el rollo de banda de ajuste que se encuentra en el cajón dentro de la unidad en la moldura de la puerta.

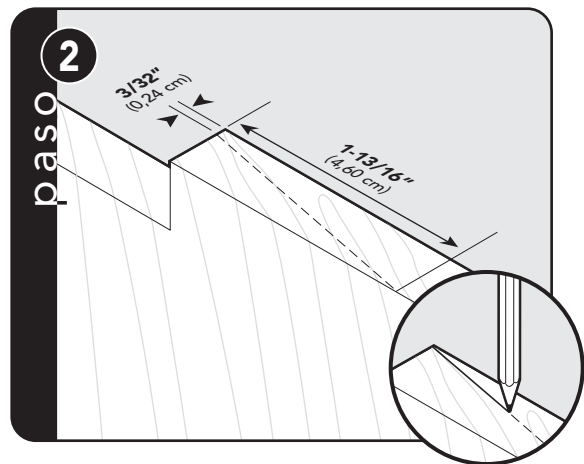
Hueco para la bisagra del panel personalizado con congelador abajo

(Si es necesario)

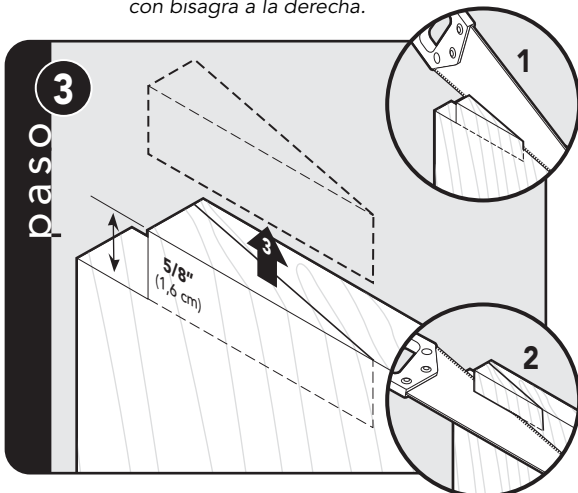


Para una puerta con la bisagra a la izquierda, corte $5/8''$ (1,6 cm) \times $3''$ (7,62 cm) en la esquina inferior izquierda.

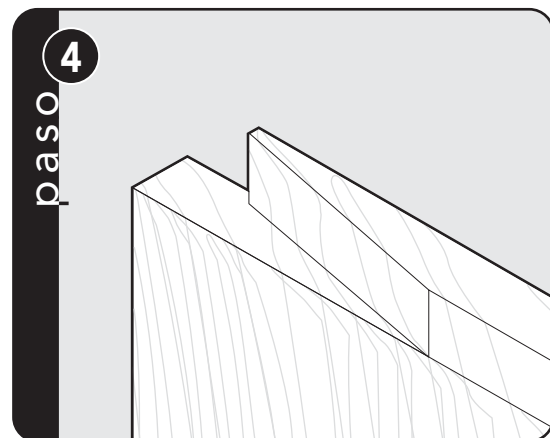
Nota: los pasos muestran el panel invertido y con muescas para la bisagra a la izquierda. Use las mismas dimensiones para la puerta con bisagra a la derecha.



Mida y corte $2-1/16''$ (4,6 cm) en diagonal en la esquina inferior izquierda.

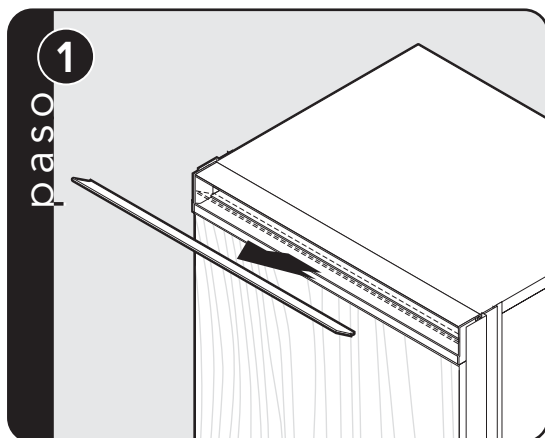


Corte en diagonal en la esquina inferior izquierda.

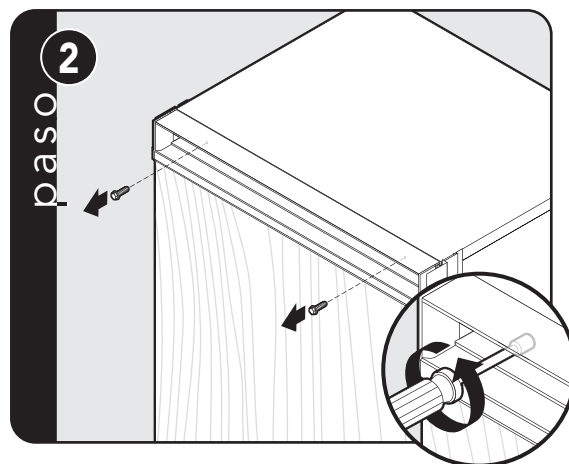


Vista final de la esquina inferior.

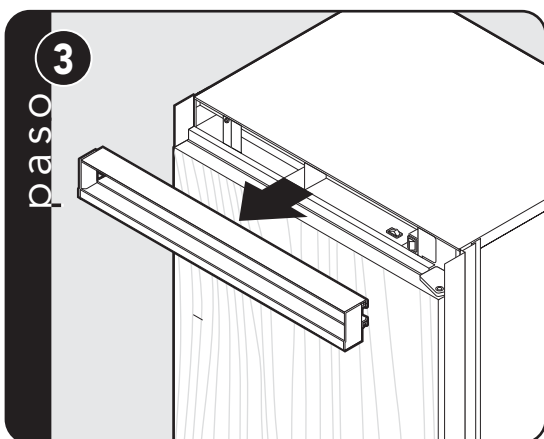
Instalación de la rejilla personalizada



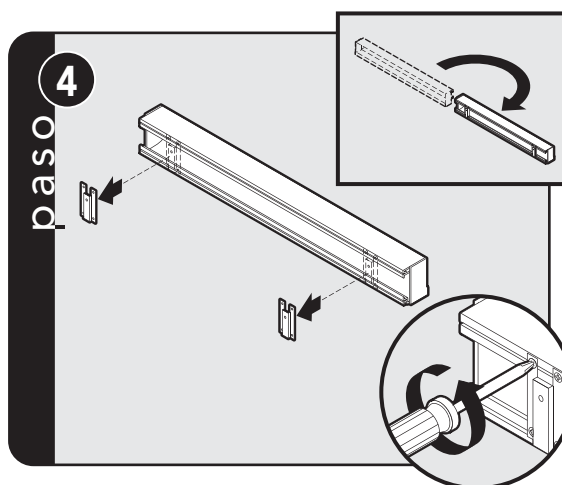
Extraiga la parte central de la rejilla de aire.



Retire los dos tornillos de 1/4" (0,6 cm) con un destornillador magnético extendido de 8" (20,3 cm) de largo como mínimo.

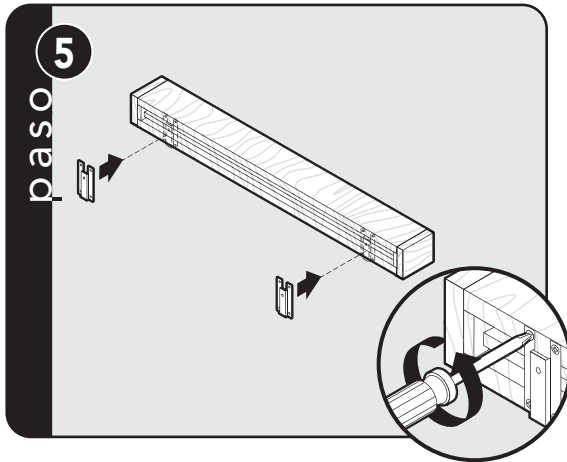


Tire de la unidad de la rejilla de aire hacia afuera.

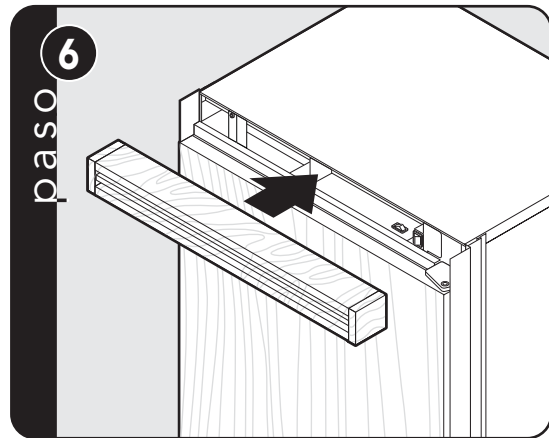


Retire los dos soportes de montaje de la unidad de la rejilla de aire.

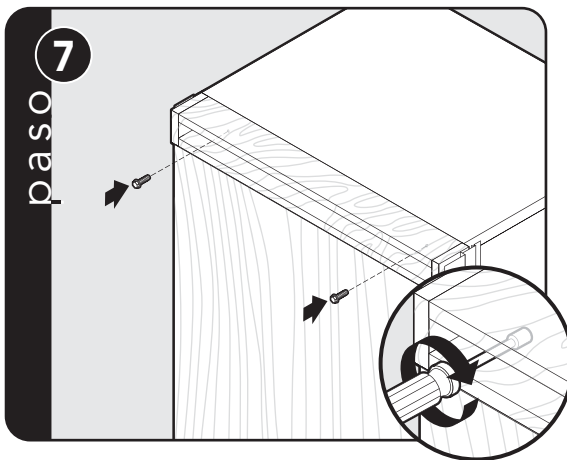
Instalación de la rejilla personalizada (Cont.)



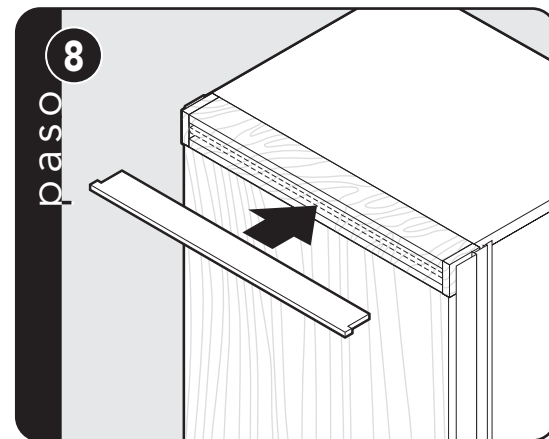
Use los ocho tornillos extraídos de los soportes de montaje para fijar los soportes de montaje a la rejilla personalizada de madera en los orificios piloto ya taladrados. (Para determinar la correcta alineación y la ubicación de los orificios piloto, consulte las especificaciones de la cubierta de la rejilla.)



Introduzca la unidad de la rejilla de aire personalizada.



Instale los dos tornillos de 1/4" (0,6 cm) con un destornillador magnético extendido de 8" (20,3 cm) de largo como mínimo.



Coloque la parte central de la rejilla de aire personalizada.

Información general

Requisitos del sitio

Compruebe lo siguiente:

- Si la unidad cabe en su residencia y puede pasar por las esquinas y a través de las puertas.
- Si los pisos pueden soportar el peso de la unidad más el peso de los alimentos (aproximadamente 1200 lb [540 kg] por unidad).
- Los pisos debajo del refrigerador están a nivel con el piso final cercano.
- Si la pared trasera es sólida y puede resistir dos soportes de 2" x 4" (5,0 cm x 10,1 cm) (incluidos) montados horizontalmente con tornillos. Las cabezas de los tornillos del tablero de 2" x 4" (5,0 cm x 10,1 cm) deben quedar a ras con el tablero para evitar obstrucción.
- Quite cualquier cosa que esté adherida a la pared trasera o a las paredes de los lados que puedan obstruir la instalación de la unidad.
- Si las dimensiones de los huecos son exactas.
- Si la toma de corriente está en la ubicación correcta.
- Si la tubería del agua está en la ubicación correcta.
- **NO INSTALE** un refrigerador cerca a una fuente de calor, ni en una ubicación en donde la temperatura del ambiente sea inferior a 60 °F (16 °C).

Requisitos eléctricos

El cliente tiene la responsabilidad de:

- Conseguir un instalador electricista calificado.
- Comprobar que la instalación eléctrica es adecuada y de conformidad con el Código Eléctrico Nacional (National Electrical Code), ANSI/NFPA 70 última edición o el Código Eléctrico Canadiense (Canadian Electrical Code) C22, 1-1998 y C22,2 N.º 0-M91 (o última edición) y todas las ordenanzas y códigos locales.

Se necesita un suministro eléctrico de 115 voltios, 60 Hz, 15 amperios, con fusible de protección.

Es necesario usar un circuito separado exclusivo para este electrodoméstico. Este electrodoméstico está equipado con un cable de suministro de energía con enchufe de tres clavijas con conexión a tierra. Para reducir el posible riesgo de descargas eléctricas, el cable se debe conectar a una toma de corriente de pared que sea de tres clavijas con conexión a tierra. **No use un alargador.**

Si los códigos permiten que se use un cable de conexión a tierra separado, se recomienda que un electricista calificado compruebe si el cableado de conexión a tierra es adecuado.

NO HAGA la conexión a tierra en una línea de gas. Consulte a un electricista calificado si no está seguro de que la conexión a tierra de la unidad está bien hecha. **NO COLOQUE** un fusible en el circuito neutro o de conexión a tierra.

Requisitos antivoltaduras

Los tableros antivoltadura deben ser asegurados en su sitio antes de colocar la unidad dentro de la abertura.

Nota: se pueden necesitar tablas de montaje adicionales si la unidad no alcanza a tocar la pared de atrás de la abertura. Para evitar que la unidad se incline hacia adelante, se debe asegurar en su sitio con un plafón sólido o un bloque de madera.

Requisitos del suministro de agua



ADVERTENCIA

Para evitar graves enfermedades o muerte, **NO USE** la unidad donde el agua sea microbiológicamente peligrosa o de calidad desconocida, sin desinfectarla adecuadamente antes o después de pasar por el sistema. Para el agua desinfectada que pueda contener esporas filtrables se pueden usar sistemas certificados para la eliminación de esporas. Los contaminantes u otras sustancias que elimina o reduce este sistema de tratamiento de agua no están necesariamente presentes en el agua de su hogar.

Use solamente tubería de cobre de 1/4" (6 mm) para la conexión del agua. NO INSTALE tubería de cobre en zonas donde la temperatura caiga por debajo de 35 °F (1,7 °C). Antes de conectar la tubería de cobre a la unidad, haga pasar por lo menos 2 cuartos de galón (1,9 litros) de agua a través de la tubería para limpiarla.

- **AGA Marvel no se responsabiliza por los daños materiales ocasionados por la instalación o conexión incorrecta del agua.**
- Conecte la tubería flexible de cobre de 1/4" (6 mm) a la instalación de agua de la casa, de acuerdo con los códigos y ordenanzas locales.
- La longitud de la tubería debe alcanzar para conectar la unidad al suministro de agua, con un poco más de longitud para facilitar mover la unidad

Información general

cuando sea necesario limpiarla o darle servicio. La tubería debe ser flexible en vez de rígida y sus extremos no deben tener rebabas.

- La tubería debe estar ubicada en un sitio que tenga una temperatura por encima de 35 °F (1,7 °C), para evitar que se congele.
- **NO use tuberías plásticas para conectar la unidad de refrigeración a la llave del suministro de agua.**
- **NO USE** el sistema de autoperforación de la válvula de abrazadera. El hueco que abre el punzón de esta válvula es demasiado pequeño para el paso de agua que necesita la máquina de hacer hielo.
- Si no se usa la válvula de abrazadera, coloque una llave de cierre del agua en un sitio de fácil localización entre el suministro de agua y la unidad. **NO INSTALE** la llave de cierre del agua detrás de la unidad.
- La instalación de las unidades con un sistema de ósmosis inversa es aceptable **siempre y cuando la presión del agua se mantenga dentro de los valores de "PSI" (libras por pulgada cuadrada) aceptables, como se indica a continuación.** Es importante tener en cuenta que en muchos sistemas de ósmosis inversa, la presión comienza alta, pero después baja a medida que cae el nivel de agua del área de almacenamiento de ósmosis inversa. Esto debe considerarse en el momento de revisar la presión del agua que entra a la unidad.
- Haga una conexión de 1/2" (1,2 cm) vertical u horizontal a la tubería de agua fría de 1-1/4" (3,2 cm) más cercana.
- Pase la tubería de suministro de agua por el piso, la pared de atrás o el lateral. La tubería debe quedar alineada con el piso, debajo de la unidad. Asegure la tubería a la pared o al piso.
- La presión del agua debe estar por encima de 20 lb/pulg² (1,4 bares) y por debajo de 120 lb/pulg² (8,3 bares) en las unidades sin dispensador y debe ser superior a 35 lb/pulg² (2,4 bares) e inferior a 120 lb/pulg² (8,3 bares) en las que tienen dispensador.

- La mayor parte del peso de la unidad está en la parte superior. Se necesita tener mucho cuidado al mover la unidad para evitar que esta se vuelque.
- **NO QUITE** la película protectora hasta que la unidad esté ubicada en el sitio en donde va a funcionar.
- Las cuatro patas de nivelación deben quedar firmemente apoyadas sobre el piso para soportar y estabilizar todo el peso.
- **NO DEJE CAER** la unidad.
- Quite todo el material de embalaje antes de introducir la unidad en la casa.
- Para mover e instalar la unidad son necesarias dos personas. No cumplir esta indicación puede causar lesiones en la espalda u otro tipo de lesiones.
- Para evitar daños personales, use guantes al realizar cualquier tarea de instalación y use protección en los ojos cuando corte las bandas metálicas.

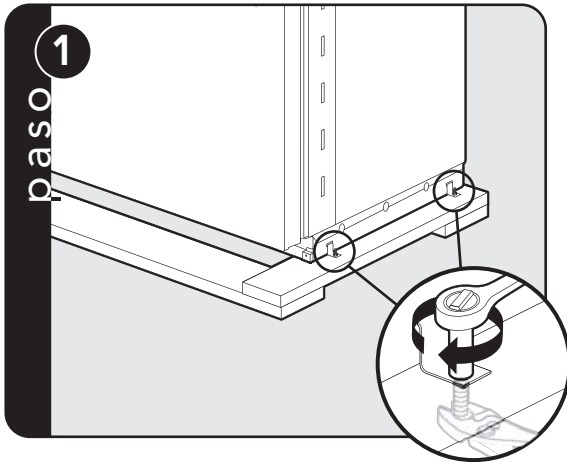
Peligro de volcadura

La unidad es inestable y se ladea fácilmente cuando no está completamente instalada. Mantenga las puertas cerradas hasta que la unidad esté completamente instalada y asegurada de acuerdo con las instrucciones. Para mover e instalar este electrodoméstico son necesarias dos o más personas. Omitir esta precaución puede causar la muerte o lesiones graves.

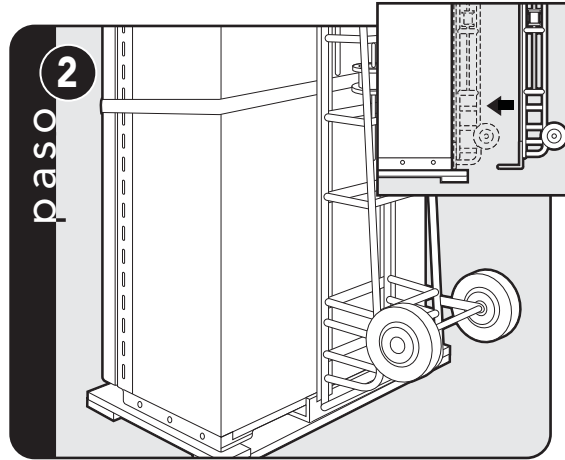
Desembalaje de la unidad

1. Quite las bandas de arriba y de abajo.
2. Quite la tapa superior.
3. Haga un corte en la parte de atrás de la caja de cartón, aproximadamente 1/4" (0,6 cm) a 1" (2,5 cm) desde la esquina derecha, con una navaja extendida de 1/4" (0,6 cm).
4. Quite la caja de cartón y el embalaje exterior. Guarde el cartón de embalaje para proteger la superficie del piso cuando instale la unidad. Retire el panel antivolcadura, el panel de protección de la base y las molduras de la puerta (en los modelos DF) de la parte trasera de la unidad.

Desplazamiento de la unidad

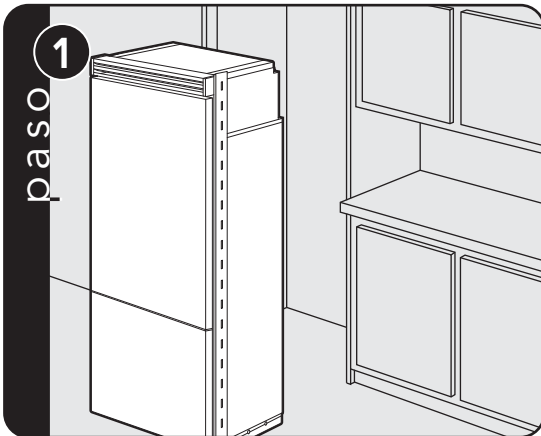


Retire los soportes de la base del embalaje utilizando los cuatro tornillos (dos en cada lado) con una llave de 1/2" (1,2 cm) y un par de alicates. **Nota:** no es necesario ladear la unidad para quitar los soportes del embalaje.

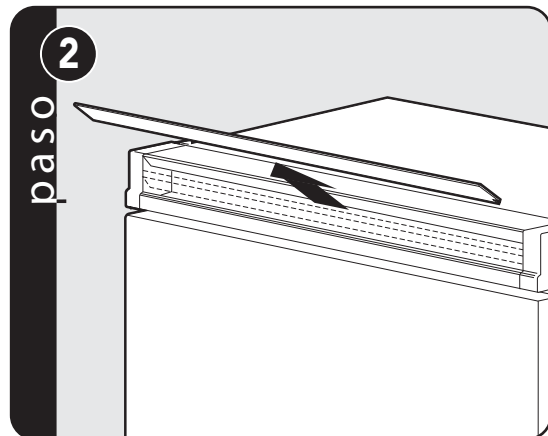


Deslice una carretilla de rodillos entre la unidad y la base del embalaje. Retire la unidad de la base del embalaje. **Nota:** use los sobrantes del embalaje para proteger la moldura decorativa; verifique también que las patas de nivelación estén subidas (0" [0 cm] de ajuste).

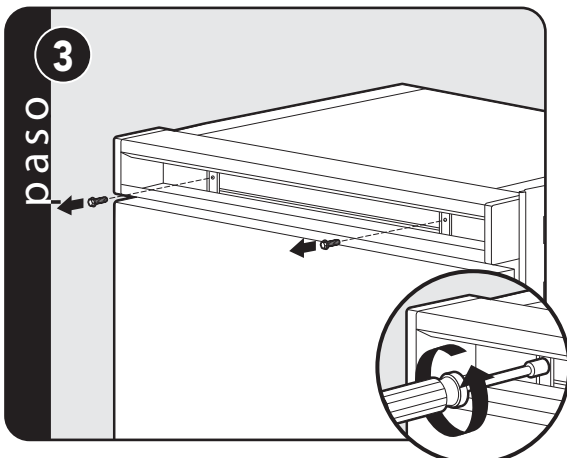
Instalación



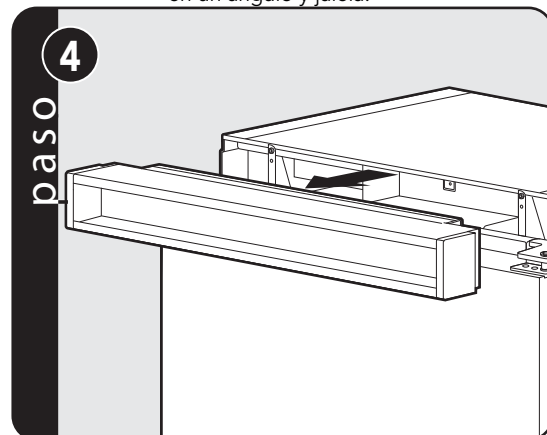
Coloque la unidad en frente del corte.



Levante la celosía de ventilación de la rejilla del centro en un ángulo y jálela.

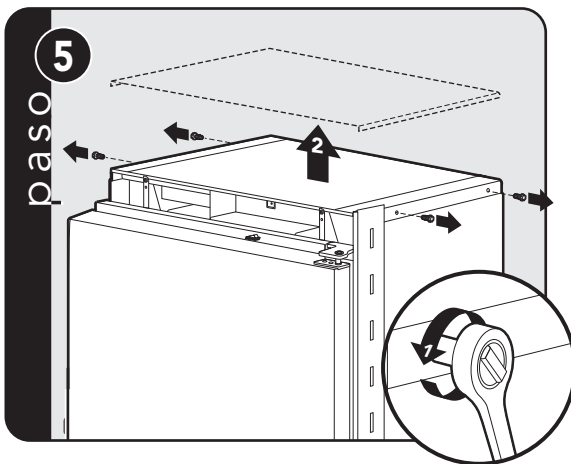


Usando un destornillador magnético de 8" (20,3 cm) quite los dos tornillos de 1/4" (0,6 cm).

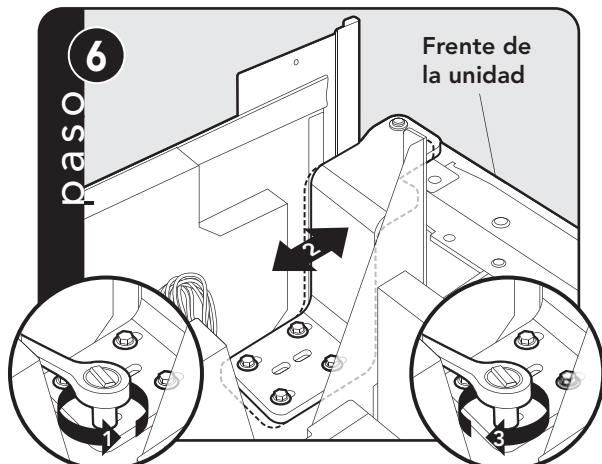


Quite la unidad de la rejilla.

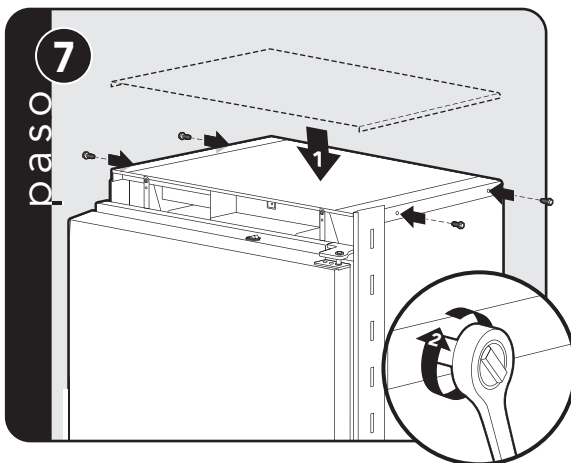
Ajuste de la bisagra



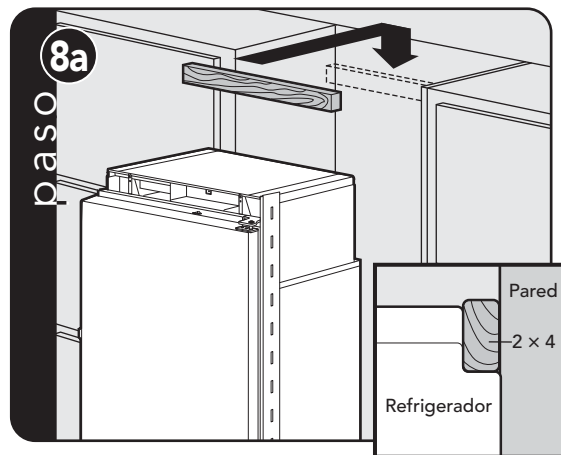
Quite los cuatro tornillos de los lados y quite la tapa de la unidad.



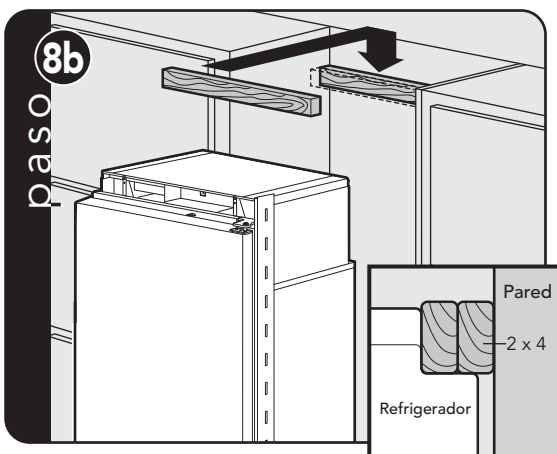
Afloje los cuatro tornillos de la bisagra. Ajuste la puerta. Vuelva a apretar los cuatro tornillos de la bisagra.



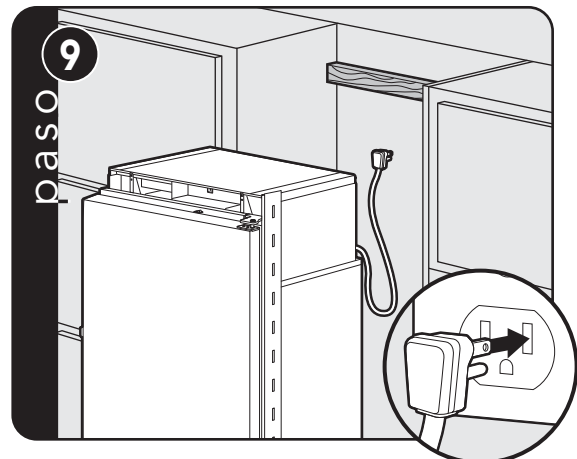
Vuelva a colocar la tapa de la unidad y los cuatro tornillos laterales.



Fije en la pared un soporte de 2" x 4" (5,0 cm x 10,1 cm) (consulte la página de dimensiones para ver la posición exacta).

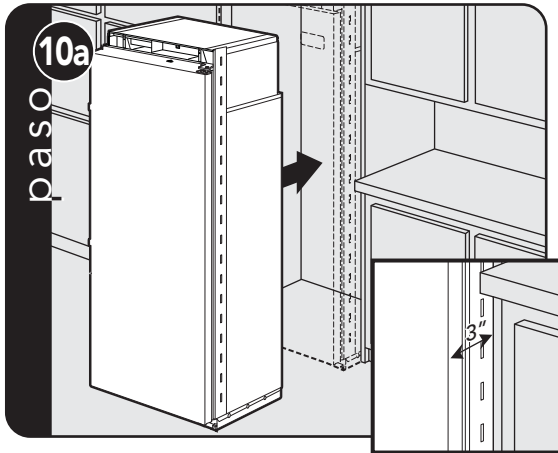


Si es necesario, dependiendo del gabinete y de la profundidad, fije un segundo soporte de 2" x 4" (5,0 cm x 10,1 cm) al primer soporte de 2" x 4" (5,0 cm x 10,1 cm).



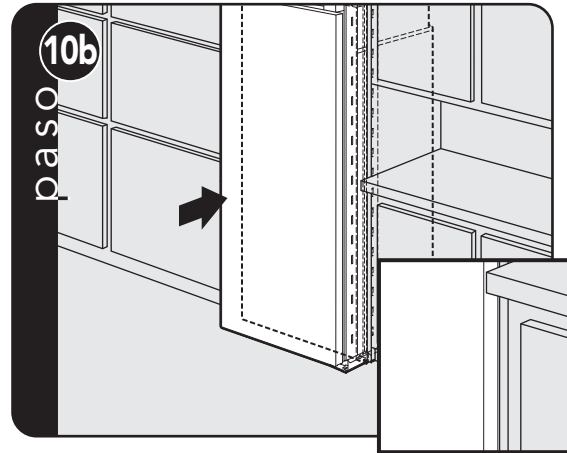
Conecte el cable de la corriente para comprobar el funcionamiento.
Nota: compruebe que el interruptor de la corriente y el interruptor del "showroom" están en la posición "ON" (ENCENDIDO).

Instalación (Cont.)

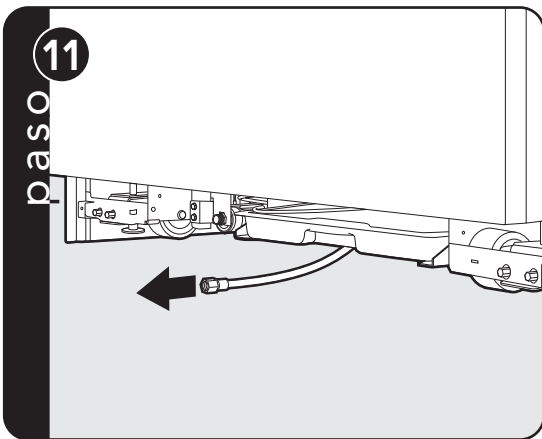


Coloque la unidad a 3" (7,6 cm) de quedar a ras con los gabinetes.

Nota: para evitar que el gabinete se dañe, coloque cartón entre los gabinetes y la unidad. Al mover la unidad, **NO** doble, retuerza o aplaste la tubería de suministro de agua.

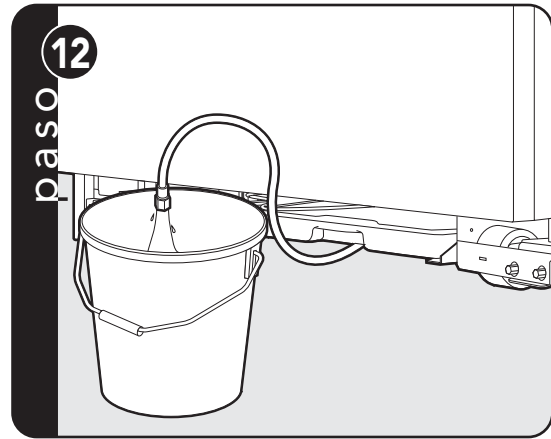


Mueva cuidadosamente la unidad hasta que esté casi a ras con el gabinete (dependiendo de la unidad).

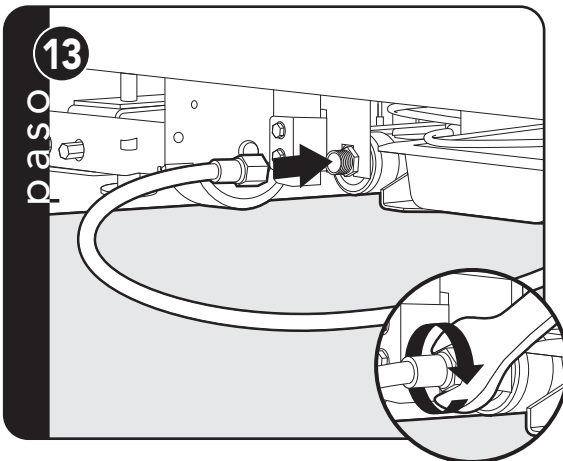


Jale la tubería de suministro de agua hacia adelante por debajo de la unidad.

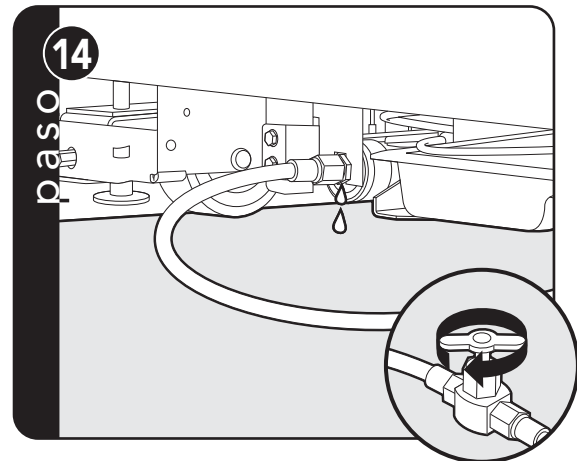
Nota: **NO USE** conductos de plástico.



Enjuague la tubería del agua dejando correr dos cuartos de galón de agua dentro de un balde. Cierre el agua.

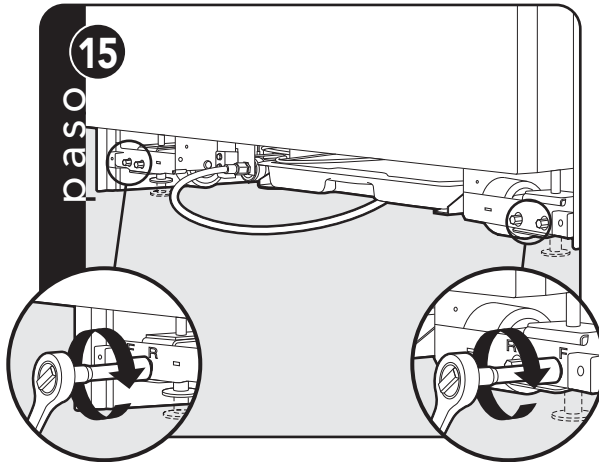


Conecte la tubería a la llave del agua usando una llave de 1/2" (1,2 cm). **Nota:** **NO** apriete demasiado.



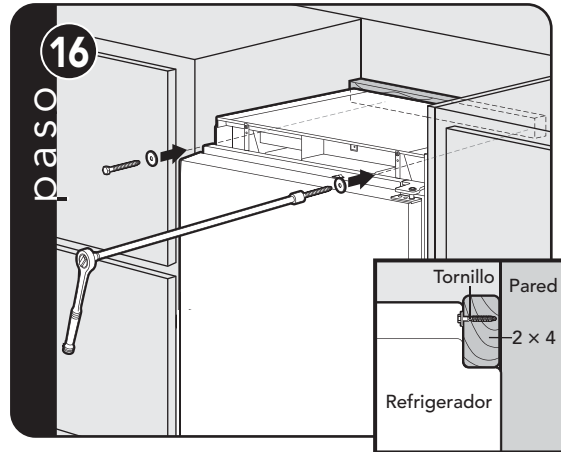
Abra la llave del suministro de agua y revise para ver si hay escapes.

Ajuste de la bisagra (Cont.)

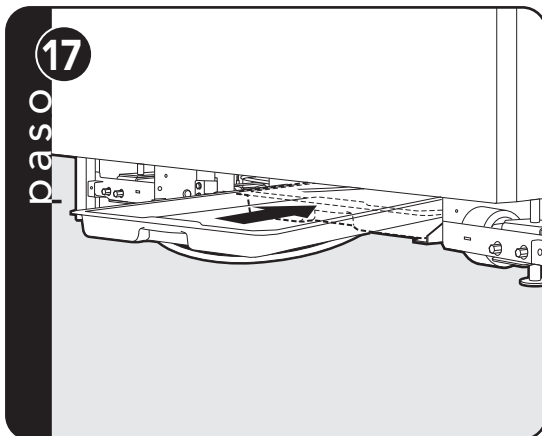


Levante los rodillos de la unidad a la altura deseada y nivélela utilizando una llave de 5/16" (0,8 cm).

Nota: NO USE una herramienta eléctrica.
Apretar en exceso puede causar daños.

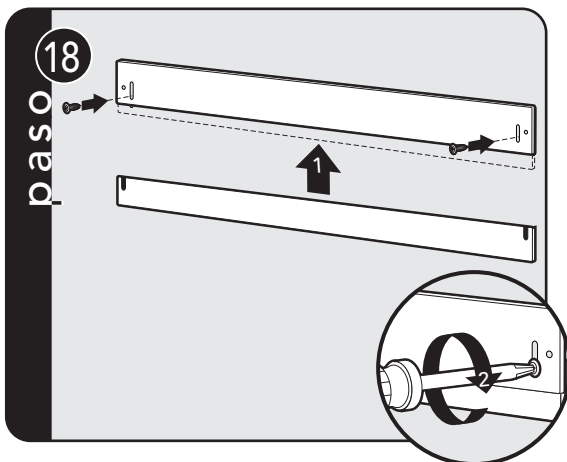


Ponga tornillos autorroscantes de seguridad a los soportes de 2" x 4" (5,0 cm x 10,1 cm) usando una extensión de 22" (55,9 cm).

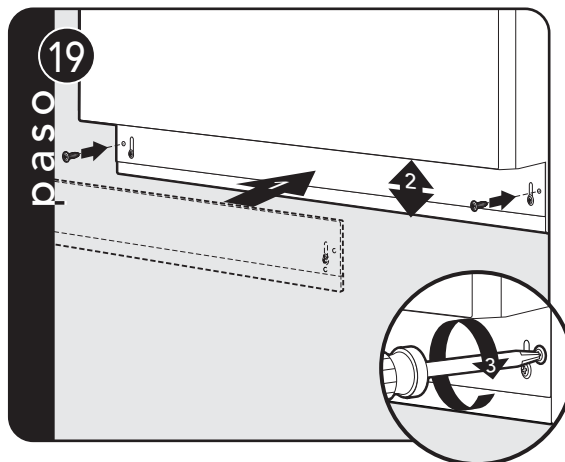


Compruebe que la bandeja de drenaje esté instalada y alineada.

Instalación del panel de protección de la base

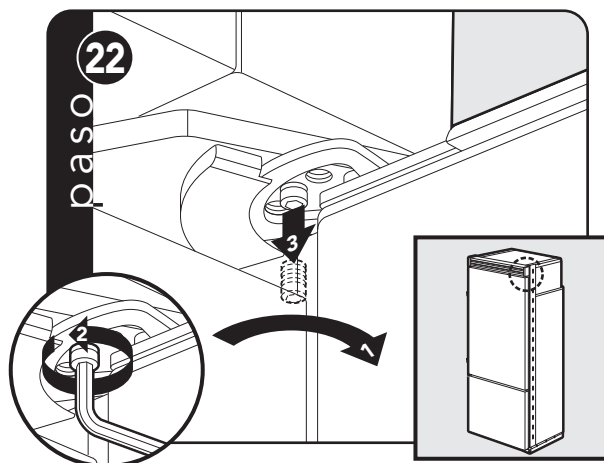


Alinee los huecos en ambos extremos de los paneles de ventilación e inserte los tornillos.



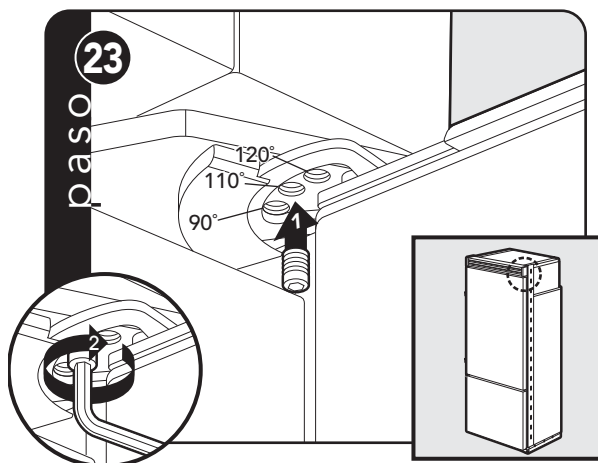
Usando un destornillador de estrella, asegure el panel de protección de la base a la unidad y ajústelo a la altura deseada.

Ajuste del tope de la puerta (Congelador abajo)



Abra la puerta del refrigerador de manera que el tope de la puerta y el tornillo del soporte sean accesibles.

Nota: el tornillo del soporte debe estar en la posición de 110° de apertura de la puerta.



Quite el tornillo del soporte y colóquelo en la posición de 90° o 120°.

Especificaciones del sistema del filtro de agua y hoja de información de rendimiento

Este sistema ha sido probado de acuerdo con las normas NSF/ANSI 42/53 para la disminución de las sustancias relacionadas a continuación. La concentración de las sustancias indicadas en el agua que entra al sistema se redujo a una concentración menor o igual al límite permitido para el agua que sale del sistema, según las normas NSF ANSI 42/53.* (100% de los factores de seguridad incorporados para el consumo no medido solo para reclamaciones sanitarias.)

Reducción de contaminantes	Promedio en agua prefiltrada	Concentración máxima permitida por NSF	% de reducción promedio	Concentración promedio en agua tratada	Concentración máxima permitida en agua tratada	Reducción requerida por NSF	Reporte de prueba de NSF
Sabor y olor a cloro	2,0 mg/l	2,0 mg/l \pm 10%	97,5%	0,05 mg/l	N/D	50%	J-00056501
Partículas nominales Clase I, 0,5 a < 1,0 μ m	13.666.667 pts/ml	Un mínimo de 10.000 partículas/ml	98,9%	143.333 pts/ml	N/D	85%	J-00056506
Amianto	96 MF/l	10 ⁷ a 10 ⁸ fibras/l; fibras con más de 10 μ m de largo	> 99%	< 1 MF/l	N/D	99%	J-00056511
Atracina	0,010 mg/l	0,009 mg/l \pm 10%	89,3%	0,001 mg/l	0,003 mg/l	N/D	J-00056512
Espora*	122.500 esporas/l	Mínimo de 50.000 esporas/l	99,99%	1 espora/l	N/D	99,95%	J-00056513
Plomo en pH 6,5	0,153 mg/l	0,15 mg/l \pm 10%	99,3%	0,001 mg/l	0,010 mg/l	N/D	J-00056515
Plomo en pH 8,5	0,150 mg/l	0,15 mg/l \pm 10%	99,3%	0,001 mg/l	0,010 mg/l	N/D	J-00058784
Lindano	0,002 mg/l	0,002 mg/l \pm 10%	97,8%	0,00004 mg/l	0,0002 mg/l	N/D	J-00058969
Mercurio en pH 6,5	0,006 mg/l	0,006 mg/l \pm 10%	95%	0,0003 mg/l	0,002 mg/l	N/D	J-00058785
Mercurio en pH 8,5	0,006 mg/l	0,006 mg/l \pm 10%	88%	0,0007 mg/l	0,002 mg/l	N/D	J-00058783
Toxafeno	0,015 mg/l	0,015 mg/l \pm 10%	93,2%	0,001 mg/l	0,003 mg/l	N/D	J-00056531
Turbiedad	10,8 UNT	11 \pm 1 UNT	98,7%	0,153 UNT	0,5 UNT	N/D	J-00058972

*Se basa en el uso de *Cryptosporidium parvum* oocysts

Especificaciones de funcionamiento

Capacidad:	Certificado para 750 galones (2.838 l); hasta nueve meses
Requisitos de presión:	20–120 lb/pulg ² (1,4–8,3 bares)
Temperatura:	33–100 °F (0,6–37,8 °C)
Caudal:	0,78 gpm (2,9 l/mín.)

Compruebe el cumplimiento de las leyes y regulaciones estatales y locales.

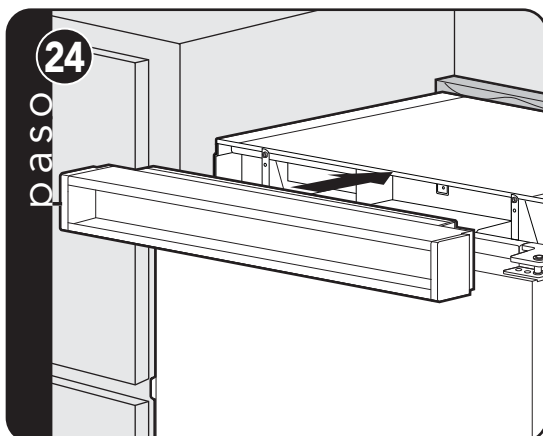
Nota: a pesar de que la prueba fue realizada en condiciones estándar de laboratorio, el rendimiento real puede variar. Se debe instalar y utilizar de conformidad con los procedimientos y pautas recomendados por el fabricante. Las instrucciones de instalación, disponibilidad de piezas y servicio y la garantía estándar se incluyen con el producto cuando se envía. Este sistema de agua potable debe ser sometido a un mantenimiento de acuerdo con las instrucciones del fabricante, incluido el reemplazo de los cartuchos de filtro.

Fabricado por: 3M Purification Inc.
400 Research Parkway
Meriden, CT 06770

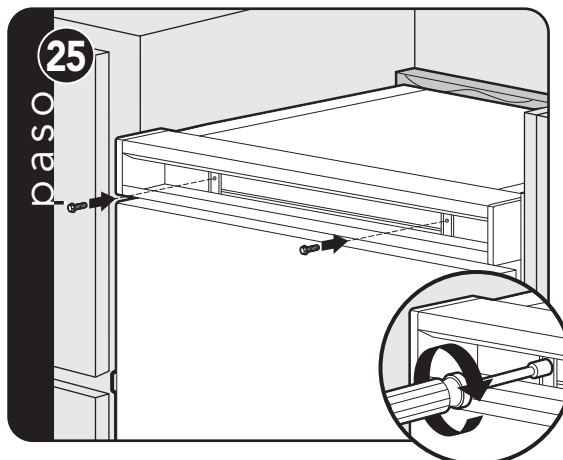
Sistema probado y certificado por NFS Internacional de acuerdo a la norma 42 para la reducción del sabor y olor del cloro, partículas clase I y de acuerdo a la Norma 53 para la reducción de plomo, lindano, atracina, mercurio, toxafeno, quistes, turbiedad y asbestos.



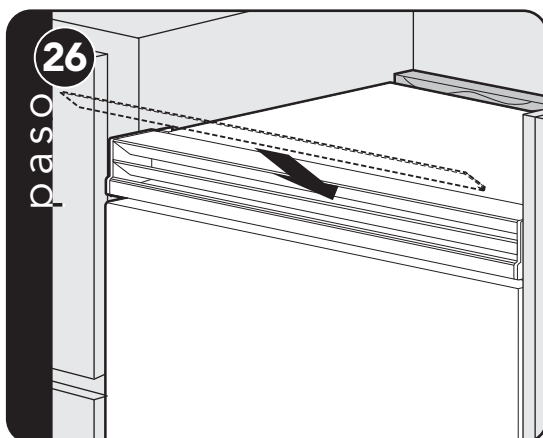
Instalación final



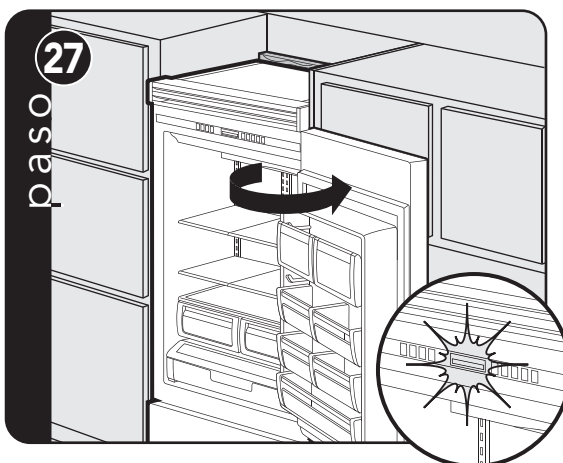
Vuelva a colocar de la rejilla de ventilación de la parte superior.



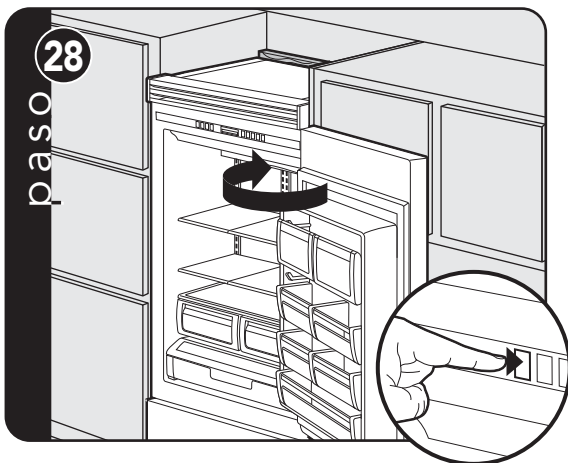
Usando un destornillador magnético de 8" (20,3 cm) vuelva a colocar los dos tornillos de 1/4" (0,6 cm).



Vuelva a colocar la celosía de la rejilla de ventilación central.



Abra la puerta. La pantalla debería parpadear de forma intermitente.



Pulse "ACTIVATE CONTROLS".
Cierre la puerta del filtro de agua.

Nota: la unidad tardará 6 minutos en arrancar.

Lista de comprobación de funcionamiento

- Compruebe el tamaño del gabinete.
- Compruebe el suministro de corriente y de agua (si es aplicable).
- Instale dispositivo(s) antivibración y compruebe la seguridad de la unidad.
- Coloque la unidad en la abertura, nivele a una altura deseada y asegure la unidad.
- Conecte la unidad y compruebe su funcionamiento.
- Conecte el suministro de agua (si es aplicable).
 - Compruebe que el tubo de llenado de la máquina de hacer hielo está insertado correctamente.
 - Compruebe que el brazo de la máquina de hacer hielo está abajo.
 - Compruebe el funcionamiento del dispensador (si corresponde).
- Alinee o cuadre la(s) puerta(s).
- Compruebe que la bandeja de drenaje esté instalada correctamente y que no hay escapes en la conexión del agua.
- Instale el panel de protección de la base.
- Retire todos los embalajes internos y las etiquetas y limpie la unidad.

Información del instalador:

Nombre del instalador: _____

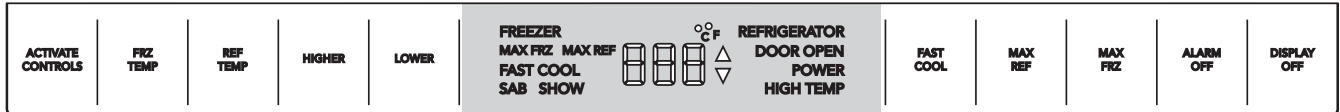
Compañía del instalador: _____

Fecha: _____

Compruebe funcionamientos

Paneles de control

Con congelador abajo



1. Pulse el botón "Activate Controls".
2. Compruebe que la unidad no esté en el modo "Sabbath".
Si está en el modo "Sabbath":
 - A. El modo "Sabbath" desactiva las luces interiores, la pantalla (excepto el indicador SAB, temperatura e indicador de compartimiento) y la alarma.
Para salir del modo "Sabbath":
 - B. Mantenga pulsados los botones "Activate Controls" y "Display Off" durante 3 segundos. (El control emitirá un sonido tres veces para avisar al usuario que ha salido del modo "Sabbath").
3. Compruebe que la unidad no esté en el modo "Showroom".
Si está en el modo "Showroom":
 - A. El modo "Showroom" desactivará el sistema del refrigerador pero todas las demás funciones son normales. Esto incluye luces y control. (Si el refrigerador está en el modo "Showroom", se mostrará SHOW.)
Para salir del modo "Showroom":
 - B. Mantenga pulsados los botones "Activate Controls", "Higher" y "Alarm Off" simultáneamente. (El control emitirá un sonido tres veces para avisar al usuario que ha salido del modo "Showroom").
4. Mantenga pulsados los botones "Activate Controls", luego mantenga pulsado "Lower", mientras mantiene pulsado "Display Off" hasta que suene un beep (arranque forzado del compresor).
5. Todos los modelos deben ajustarse en 38 °F (3 °C) y 0 °F (-18 °C) para el refrigerador y el congelador respectivamente, ajuste de fábrica.

Servicio y registro

Si necesita servicio, llame a su a una agencia de servicio autorizada.

Tenga la siguiente información fácilmente disponible.

- Número de modelo
- Número de serie
- Fecha de compra
- Nombre del distribuidor donde se efectuó la compra

Describa claramente el problema que está teniendo Si no puede conseguir el nombre de una agencia de servicio autorizada, o sigue teniendo problemas de servicio, comuníquese el teléfono 1-888-(845-4641), o escriba a:

PREFERRED SERVICE
111 Front Street
Greenwood, Mississippi 38930 EE. UU.

Escriba la información que se solicita a continuación. Será necesaria en caso de precisar cualquier servicio de reparación.

El número de serie y de modelo de su unidad se encuentran en la placa situada detrás de la luz de la parte de arriba.

N.º de modelo _____

N.º de serie _____

Fecha de compra _____

Fecha de instalación _____

Nombre del distribuidor _____

Dirección _____

Si el servicio de reparación requiere la instalación de piezas, utilice solo piezas autorizadas para no perder la cobertura de la garantía.

Guarde este manual para poder consultarlo en el futuro.

AGA Marvel
1260 E VanDeinse Street
Greenville, MI 48838
(800) 223-3900

Si desea información sobre el producto llame
al (800) 223-3900,
o visite el sitio web en agamarvel.com

