



15" Marvel Professional Clear Ice Machine with Sapphire Illuminice™ Lighting

Models # MP15CL & MP15CP

Performance

- The quietest ice machine you can buy
- New energy-saving options conserve water and electricity
- Engineered to consistently produce pure, clear ice with unrivaled clarity, immediate cooling and slower melt
- Produces up to 39 pounds of clear ice daily, the equivalent of nearly eight convenience-store ice bags
- Close Door Assist System™ prevents energy loss by automatically drawing door to a gentle close
- Streamlined componentry and single-connection water fitting for simple installation

Storage Capabilities

- Stores 35 pounds of clear ice in thermal-insulated ice bin
- Sleek scoop design is positioned for easy reach
- Easy-to-clean, hygienic interior surface

Touchscreen Controls

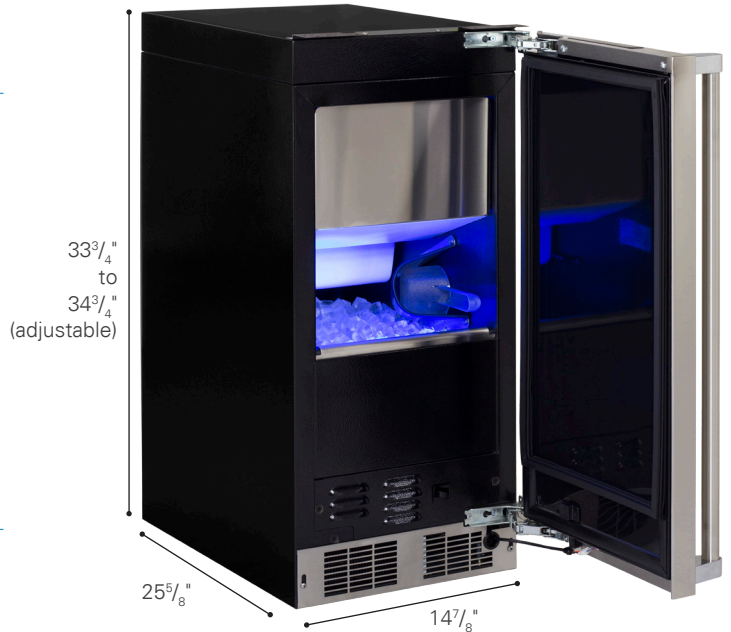
- Multifunction Marvel Intuit™ Integrated Controls adapt ice production to usage needs
- Eco Ice™ and Vacation/Delay Start modes save up to 25% water and electricity
- Audible alerts and programmed cleaning reminders

Aesthetics

- New Illuminice™ feature projects sapphire LED lighting through clear ice for a dazzling illumination effect
- Midnight black interior and professional styling with sturdy full-length handle
- Easy-to-install panel ready option with soft-close integrated hinge
- Stainless steel toe kick adjustable to 4" with leveling legs
- Finish options: stainless steel or overlay panel*

Warranty

- 3-year parts and labor warranty, 5-year sealed system parts warranty



24-Hour Ice Production

Air Temp	72°F	90°F
Water Temp	55°F	72°F
Ice Production	39.83 lbs	33.44 lbs

Air and water temperature can impact the ice production rate of your clear ice machine.

Proper Ice Machine Care

Each model is programmed with manufacturer-recommended cleaning reminders. To ensure maximum performance and ice quality, clean your ice machine once every 6 months or more depending on use and water quality.

For Marvel-approved cleaning accessories, see Ordering Options.

Ordering Details	GRAVITY DRAIN	FACTORY INSTALLED PUMP
Solid Stainless Steel Door, Integrated Right Hinge	MP15CLS2RS	MP15CPS2RS
Solid Stainless Steel Door, Integrated Left Hinge	MP15CLS2LS	MP15CPS2LS
Panel-Ready Overlay Door, Integrated Right Hinge*	MP15CLP2RP	MP15CPP2RP
Panel-Ready Overlay Door, Integrated Left Hinge*	MP15CLP2LP	MP15CPP2LP
Clear Ice Machine Cleaner, 4-oz. bottle	S41013789	

*Easy installation! No panel kit required. Consult your cabinet maker for overlay panel and handle options.



Stainless Steel



Overlay Panel*

Rough-In Dimensions			
MODEL	"A"	"B"	"C"
MP15C*S	15" (38.1 cm)	34 ¹ / ₄ " to 35 ¹ / ₄ " (86.4 cm to 88.9 cm)	24" (61 cm)
MP15C*P	15" (38.1 cm)	34 ¹ / ₄ " to 35 ¹ / ₄ " (86.4 cm to 88.9 cm)	24" (61 cm)

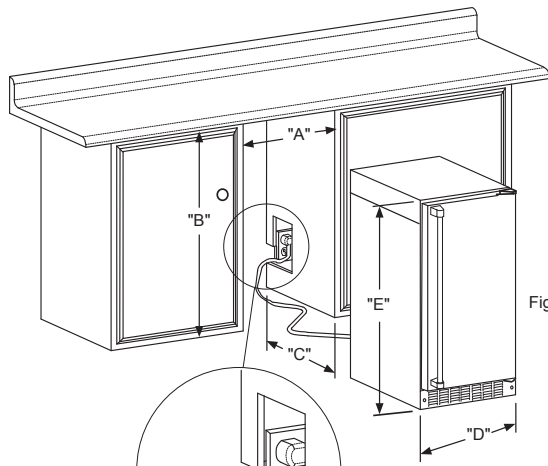


Figure 17

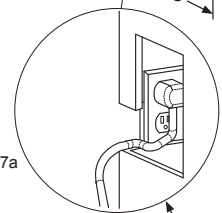


Figure 17a

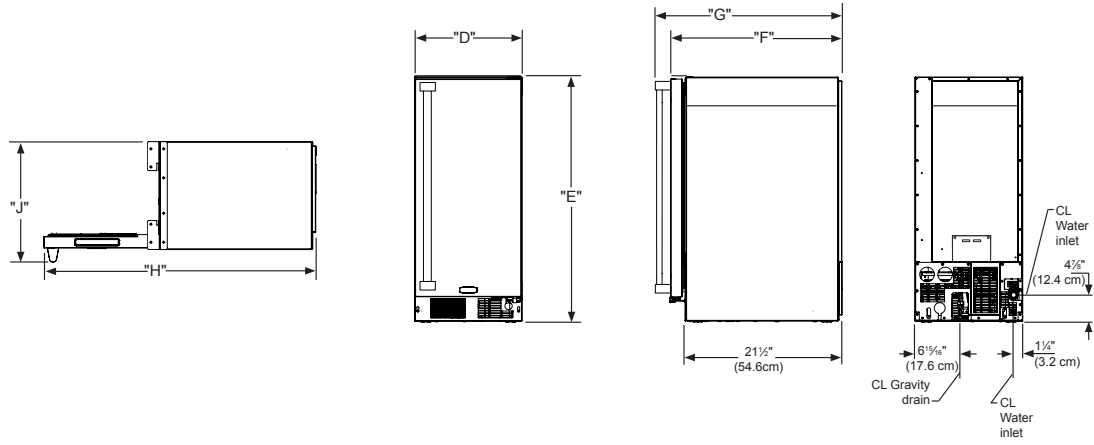


Figure 18

If necessary to gain clearance inside the rough-in opening a hole can be cut through the adjacent cabinet and the power cord routed through this hole to a power outlet. Another way to increase the available opening depth is to recess the power outlet into the rear wall to gain the thickness of the power cord plug. Not all recessed outlet boxes will work for this application as they are too narrow, but a recessed outlet box equivalent to Arlington #DVFR1W is recommended for this application, (see Figure 18).

DOOR STYLE
(S) Solid Door
(P) Solid Overlay Door (no handle)

Cabinet Dimensions						
MODEL	"D"	"E"	"F"	"G"	"H"	"J"
ML15C*S	14 ⁷ / ₈ " (37.8 cm)	34" to 35" (86.4 to 88.9 cm)	23 ²³ / ₃₂ " (60.2 cm)	26 ⁷ / ₃₂ " (66.6 cm)	37 ¹ / ₄ " (94.6 cm)	16 ³ / ₄ " (42.5 cm)
ML15C*P	14 ⁷ / ₈ " (37.8 cm)	34" to 35" (86.4 to 88.9 cm)	22 ⁷ / ₈ " (58.1 cm)	-	35 ⁵ / ₈ " (90.5 cm)	14 ⁷ / ₈ " (37.8 cm)



Width	14 ⁷ / ₈ "
Interior Finish	Midnight Black
Capacity	35 lbs
Other Storage	Ice Bin
Interior Lighting	(1) Glacial Blue Waterproof LED Pod
Toe Grill Finish	Stainless Steel
Hinge	Integrated Hinge
Handle	Professional Style (SS model only)

Control Type	Intuit™
Lock	No
Electrical Requirements	120V / 60Hz / 15A
Length of Power Cord	5'
Shipping Weight	160 lbs
Appliance Weight	90 to 100 lbs
Finishes	SS, O
Agency Approvals	CSA

Finishes Key
 SS = Stainless Steel
 O = Overlay