

Fresh Living Tip

Pour fresh drinks on tap at the precise serving temperature you prefer, perfect for parties or a personal happy hour in the comfort of your own backyard. Or, opt for the mobile unit to bring the party wherever you go.

FINISH OPTIONS



24" Marvel Outdoor Dispensers for Beer, Wine and Draft Beverages

MOKR124 & MOKR224

Storage Adaptability

- 5.7 cu. ft. capacity
- The original dispenser to store half kegs, tall quarter kegs, pony kegs, sixth barrels, Cornelius kegs, growlers, bottles or cans
- Lo-Boy coupler for tall U.S. type D half barrels
- Double-insulated tower reduces foam on pour and prevents condensation (see accessories to order)
- Integrated drain system keeps spillage under control and removable components make for easier cleaning
- (2) stow-on-board, commercial-grade stainless-steel shelves convert unit to a full refrigerator to store perishables
- Secure gas tank storage area and drain basin
- Anti-scoff interior floor shield and stainless steel threshold protect against cabinet wear and tear from loading and unloading kegs
- Rear port gives external gas tank option

Cooling Performance

- Designed for outdoor use
- Dynamic cooling technology delivers rapid cool down, frost-free operation and precise temperature stability
- Thermal-efficient cabinet insulates cooling and conserves energy

Convenient Controls

- Multifunction controls allow you to select a precise temperature from 34° F to 60° F

Fit & Finish

- Bright arctic white interior easily wipes clean
- Reversible door allows for right or left swing for adaptable installation
- Stainless steel toe kick adjustable to 4" with leveling legs
- Door lock provides added safety and security

Warranty

- 1-year parts and labor warranty and 5-year sealed system parts warranty



Half Barrel*

Pony Keg

Two Sixth Barrels

Full Storage

*Requires Lo-Boy coupler. All tap kits include D-style Lo-Boy coupler for U.S. kegs.

4 Tap Kits

Choose between a standard dispenser kit for any draft-style beverage or the specialty wine tap for white or red wine.

Standard Dispenser



Single Tap



Twin Tap

Wine Dispenser



Single Tap



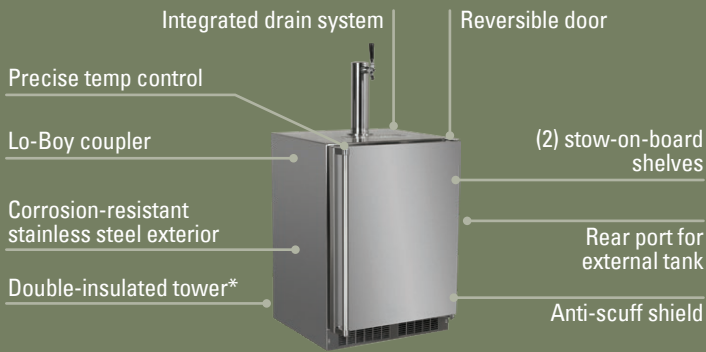
Twin Tap

DOOR STYLE	MODEL NUMBER
Solid Stainless Steel (BUILT-IN)	MOKR124-SS31A
Solid Stainless Steel (MOBILE)	MOKR224-SS31A

TAP KIT ACCESSORIES	PART #
Wine Single Tap Kit with Nitro Tank and Fittings	S42418647-ACCY
Wine Twin Tap Kit with Nitro Tank and Fittings	S42418648-ACCY
Universal Single Tap Kit with CO2 Tank and Fittings	S42418645-ACCY
Universal Twin Tap Kit with CO2 Tank and Fittings	S42418646-ACCY

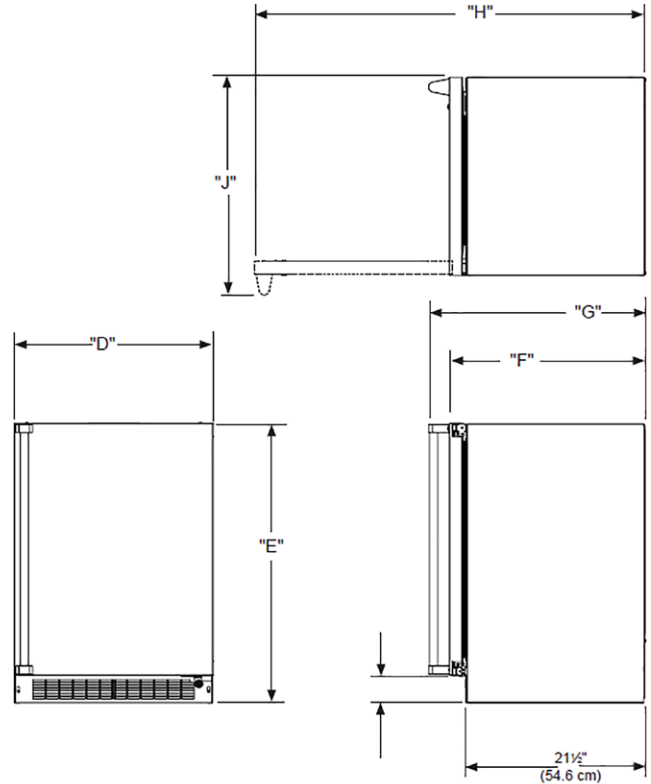
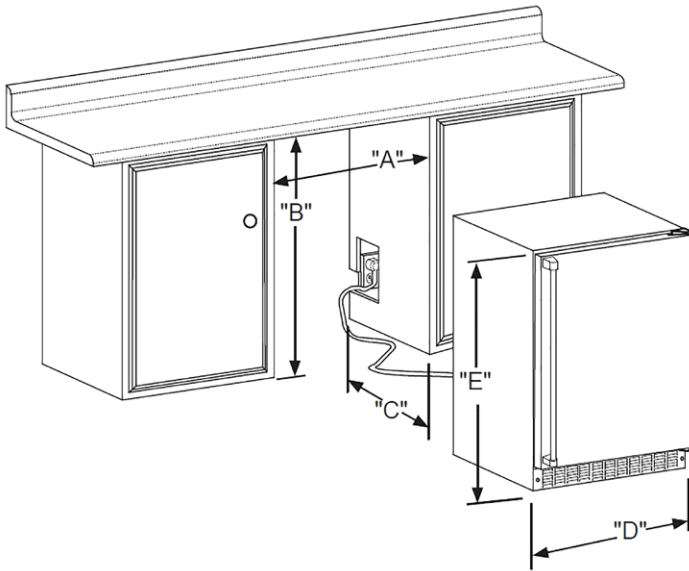
*Must order tap kit separately.





*Tap kit sold separately. See accessories to order.

H: 33 3/4" W: 23 7/8" D: 26 7/32" (with handle)



Rough In Dimensions

"A"	"B"	"C"
24"	34-1/4" to 35-1/4"	24"
(61 CM)	(87 CM to 89.5 CM)	(61 CM)

Cabinet Dimensions

"D"	"E"	"F"	"G"	"H"	"J"
23-7/8"	33-5/8" TO 34-5/8"	23-5/8"	26-1/8"	47-3/4"	26-1/2"
(60.7 CM)	(85.4 CM TO 87.9 CM)	(60 CM)	(66.3 CM)	(146.6 CM)	(67.3 CM)

Capacity	5.7 CU. FT.
Control Type	Electronic
Sabbath Mode	Yes
Temperature Range	34° F to 60° F
Handle Style	Professional
Door Swing	Reversible
Interior Lighting	White LED
Shelving System	Stow-on-Board Shelves
Toe Grille Finish	Stainless Steel

Lock	Yes
Electrical Requirements	115V / 60 Hz / 15A
Cord Length	6 FT.
Shipping Dimensions	28" W x 31" D x 37" H
Shipping Weight	160 LBS
Agency Approval	UL
Refrigerant Type	R600a

For comprehensive installation instructions, please visit marvelrefrigeration.com to access the owner's guide.

