

## Fresh Living Tip

Refrigerated drawers are sturdy, easy-to-organize solutions for tall drinks, stacked cans and even food.

## FINISH OPTIONS



# 24" Marvel Outdoor Refrigerated Drawers

MODR224

### Storage Adaptability

- 5.0 cu. ft. capacity stores (108) 12-oz cans in two large-capacity roller-glide drawers
- Adjustable grip divider included in top drawer to organize and secure contents

### Cooling Performance

- Designed for outdoor use
- Dynamic cooling technology delivers rapid cool down, frost-free operation and precise temperature stability
- Thermal-efficient cabinet insulates cooling environment and conserves energy while maximizing capacity
- Sound-buffering design

### Convenient Controls

- Multifunction controls allow you to select a precise temperature from 34° F to 60° F
- Features easy-to-use settings and options

### Fit & Finish

- Drawer interior durably constructed from stainless steel, the most hygienic, easy-to-clean and stain-resistant of materials
- Efficient arctic white LED lighting brightly illuminates interior for better viewing of contents
- Corrosion-resistant stainless steel exterior, sturdy pro-style handle and rugged stainless steel toe kick
- Stainless steel toe kick adjustable to 4" with leveling legs
- Door lock provides added safety and security

### Warranty

- 1-year parts and labor warranty and 5-year sealed system parts warranty



*Store as many as 108 cans in two large-capacity roller-glide drawers. Marvel Refrigerated Drawers offer maximum storage capacity within easy reach and include a convenient quick-grip divider to organize contents.*

#### DOOR STYLE

Solid Stainless Steel

#### MODEL NUMBER

MODR224-SS71A



Precise temp control

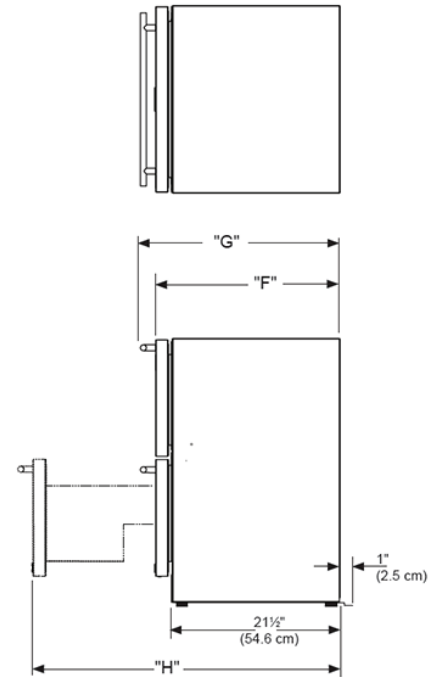
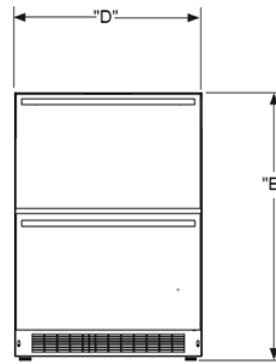
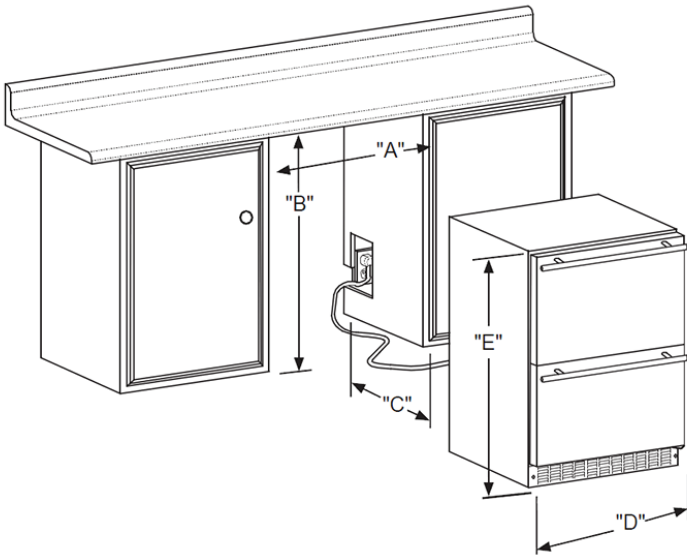
Adjustable drawer dividers

Arctic white lighting

Corrosion resistant, thermal-efficient cabinet



H: 33 3/4" W: 23 7/8" D: 26 7/32" (with handle)



**Rough In Dimensions**

| "A"     | "B"                | "C"     |
|---------|--------------------|---------|
| 24"     | 34-1/4" to 35-1/4" | 24"     |
| (61 CM) | (87 CM to 89.5 CM) | (61 CM) |

**Cabinet Dimensions**

| "D"       | "E"                  | "F"     | "G"       | "H"       | "J"       |
|-----------|----------------------|---------|-----------|-----------|-----------|
| 23-7/8"   | 33-5/8" TO 34-5/8"   | 23-5/8" | 26-1/8"   | 39-5/32"  | 26-1/2"   |
| (60.7 CM) | (85.4 CM TO 87.9 CM) | (60 CM) | (66.3 CM) | (99.5 CM) | (67.3 CM) |

|                          |                      |
|--------------------------|----------------------|
| <b>Capacity</b>          | 5.0 CU. FT.          |
| <b>Control Type</b>      | Electronic           |
| <b>Sabbath Mode</b>      | Yes                  |
| <b>Temperature Range</b> | 34° F to 60° F       |
| <b>Handle Style</b>      | Professional         |
| <b>Door Swing</b>        | N/A                  |
| <b>Interior Lighting</b> | White LED            |
| <b>Shelving System</b>   | Roller-Glide Drawers |
| <b>Toe Grille Finish</b> | Stainless Steel      |

|                                |                       |
|--------------------------------|-----------------------|
| <b>Lock</b>                    | Yes                   |
| <b>Electrical Requirements</b> | 115V / 60 Hz / 15A    |
| <b>Cord Length</b>             | 6 FT.                 |
| <b>Shipping Dimensions</b>     | 28" W x 31" D x 37" H |
| <b>Shipping Weight</b>         | 160 LBS               |
| <b>Agency Approval</b>         | UL                    |
| <b>Refrigerant Type</b>        | R600a                 |

For comprehensive installation instructions, please visit [marvelrefrigeration.com](http://marvelrefrigeration.com) to access the owner's guide.

