

Fresh Living Tip

Pair this slim 15" model side-by-side with a Marvel Outdoor Beverage Center for a complete iced beverage station with a French door style treatment.

FINISH OPTIONS



15" Marvel Outdoor Crescent Ice Machine

MOCR215

Storage

- Stores 25 lbs of crescent ice
- Removable ice bin for convenient access and easier cleaning
- No pump or drain required

Cooling Performance

- Designed for outdoor use
- Produces up to 25 lbs of crescent ice per day
- Minimizes water usage, only 3 gallons average daily rate
- Daily ice production rate nearly 4x greater than standard household ice maker
- Crescent ice cube dimensions: 1/2" W x 3/4" H x 2 1/4" L
- Thermal-efficient cabinet insulates cooling environment and conserves energy while maximizing capacity

Convenient Controls

- On/Off switch within quick reach at the front of the unit

Fit & Finish

- Corrosion-resistant stainless steel exterior, sturdy pro-style handle and rugged stainless steel toe kick
- Easy to clean arctic white interior
- Reversible door allows for right or left swing for adaptable installation
- Stainless steel toe kick adjustable to 4" with leveling legs

Warranty

- 1-year parts and labor warranty and 5-year sealed system parts warranty



Our crescent ice maker makes up to 25 pounds of ice every day. You'll be able to enjoy chilled drink after chilled drink all day long.

DOOR STYLE

Solid Stainless Steel

MODEL NUMBER

MOCR215-SS01A



Produces and stores
25 lbs crescent ice

Corrosion-resistant
thermal-efficient cabinet

No drain or pump
required

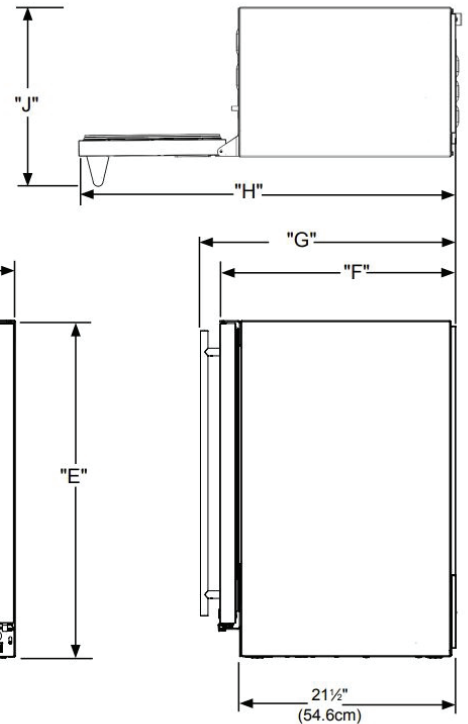
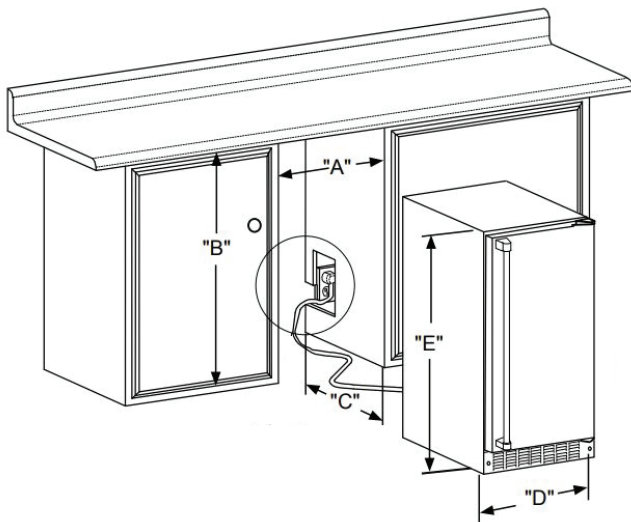


Reversible
door

Removable
ice bin

Easy access
on/off switch

H: 33 3/4" W: 14 7/8" D: 26 7/32" (with handle)



Rough In Dimensions

"A"	"B"	"C"
15"	34-1/4" TO 35-1/4"	24"
(38.1 CM)	(87 CM TO 89.5 CM)	(61 CM)

Cabinet Dimensions

"D"	"E"	"F"	"G"	"H"	"J"
14-7/8"	33-5/8" TO 34-5/8"	23-5/8"	25-3/8"	38-3/4"	17-1/2"
(37.8 CM)	(85.4 CM TO 87.9 CM)	(60 CM)	(64.4 CM)	(98.4 CM)	(44.4 CM)

Capacity	25 lbs
Control Type	On/Off Switch
Sabbath Mode	No
Temperature Range	N/A
Handle Style	Professional
Door Swing	Reversible
Interior Lighting	N/A
Shelving System	N/A
Toe Grille Finish	Stainless Steel

Lock	No
Electrical Requirements	115V / 60 Hz / 15A
Cord Length	6 FT.
Shipping Dimensions	18" W x 29" D x 36" H
Shipping Weight	93 LBS
Agency Approval	UL
Refrigerant Type	R134a

For comprehensive installation instructions, please visit marvelrefrigeration.com to access the owner's guide.

