

Fresh Living Tip

Expert bartenders insist that ice is the most important ingredient and choosing the right kind can make or break your drink. The purer the ice, the better a drink will taste as the ice melts. And, clarity is the best indicator for purity, as is the case with the Marvel Outdoor Clear Ice Machine, considered the clearest, most pure ice available for residential use.

FINISH OPTIONS



15" Marvel Outdoor Clear Ice Machine

MOCP215 & MOCL215

Storage

- Large-capacity bin stores up to 28 pounds of clear ice, while preserving quality and assuring fresh ice production

Performance

- Designed for outdoor use
- Energy-saving options conserve water and energy
- Engineered to consistently produce pure, clear ice with unrivaled clarity, immediate cooling and slower melt
- Its uniform size and compact density prove to be the optimal shape to provide faster cooling, while taking up less space in your glass
- Produces up to 39 pounds of clear ice daily, the equivalent of nearly eight convenience-store bags of ice
- Streamlined componentry and single-connection water fitting for simple installation
- Thermal-efficient cabinet insulates cooling environment and ensures optimum energy efficiency while maximizing capacity

Convenient Controls

- Integrated controls feature audible alerts and cleaning reminders
- Eco Ice mode moderates ice production to conservative usage, saving 25% water (91 gallons monthly) and 25% energy (\$45 annually)**
- Delay Start/Vacation option automatically postpones operation by 1/4/6/8 (hour or day) intervals, preventing wasteful water use

Fit & Finish

- Illuminice feature projects arctic white LED light through clear ice for a dazzling illumination effect
- Corrosion-resistant stainless steel exterior
- Easy-to-clean, hygienic interior surface
- Reversible door allows for right or left swing for adaptable installation
- Stainless steel toe kick adjustable to 4" with leveling legs

Warranty

- 1-year parts and labor warranty and 5-year sealed system parts warranty



Much like a fine chocolatier slowly tempers chocolate to a solid state for the best quality and flavor, Marvel Clear Ice employs a fractional freezing process to create high-density, slow-melting ice with the ultimate clarity and purity. As water runs over the cold plate, pure water freezes first. Dissolved solids are carried away into the water reservoir, giving you crystal-clear ice that cools your drinks without affecting the flavor.

DOOR STYLE	PUMP	MODEL NUMBER
Solid Stainless Steel	Yes	MOCP215-SS01A
Solid Stainless Steel	No	MOCL215-SS01A

**Based on national average of \$0.12 kWh at 100% operation. Note: ice production rate optimal when ambient air and water temperature is at or below 72° F.



Thermal-efficient cabinet

Reversible door

Produces 39 lbs clear ice

Easy cleaning access

Digital controls with Eco Ice mode and cleaning alert

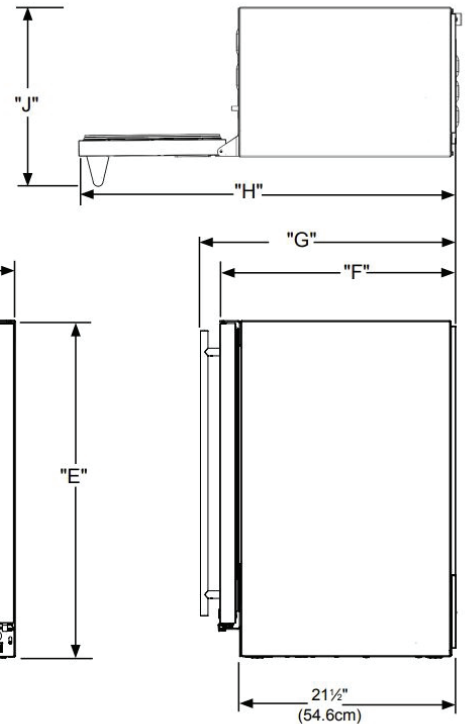
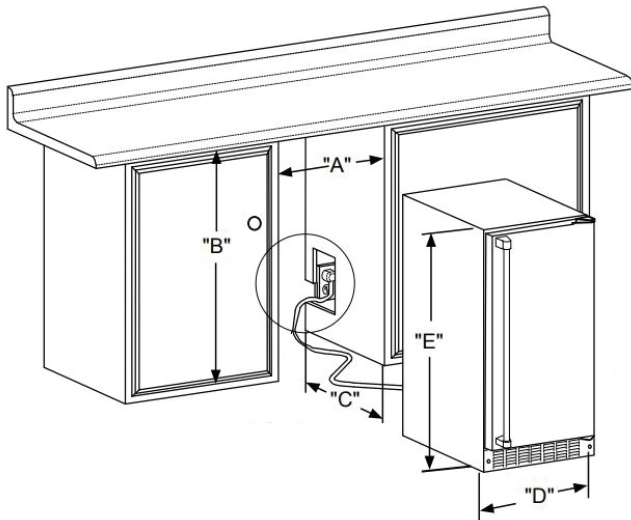
Illuminice arctic white lighting

Corrosion-resistant stainless steel exterior

28 lbs clear ice storage



H: 33 3/4" W: 14 7/8" D: 26 7/32" (with handle)



Rough In Dimensions

"A"	"B"	"C"
15"	34-1/4" TO 35-1/4"	24"
(38.1 CM)	(87 CM TO 89.5 CM)	(61 CM)

Cabinet Dimensions

"D"	"E"	"F"	"G"	"H"	"J"
14-7/8"	33-5/8" TO 34-5/8"	23-5/8"*	25-3/8"*	38-3/4"*	17-1/2"*
(37.8 CM)	(85.4 CM TO 87.9 CM)	(60 CM)	(64.4 CM)	(98.4 CM)	(44.4 CM)

Capacity 28 lbs

Control Type Electronic

Sabbath Mode Yes

Temperature Range N/A

Handle Style Professional

Door Swing Reversible

Interior Lighting Illuminice White LED

Shelving System N/A

Toe Grille Finish Stainless Steel

Lock No

Electrical Requirements 115V / 60 Hz / 15A

Cord Length 6 FT.

Shipping Dimensions 19" W x 31" D x 37" H

Shipping Weight 125 LBS

Agency Approval UL

Refrigerant Type R134a

For comprehensive installation instructions, please visit marvelrefrigeration.com to access the owner's guide.

