

Fresh Living Tip

This refrigerator features a freezer compartment that can fit a stash of your favorite frozen pints – up to 12 different flavors! Or choose the crescent ice maker option if an iced beverage is your idea of a treat.

FINISH OPTIONS



24" Marvel Refrigerator Freezer with Optional Crescent Ice Maker

MLRI224/MLRF224

Storage Adaptability

- 4.9 cu. ft. capacity refrigerator stores (72) 12-oz cans
- Self-closing 1 cu. ft. freezer can store 12 pints of ice cream
- Models with crescent ice maker produces up to 7 lbs of ice in 24 hours and ice bucket stores 13 lbs of ice
- Also includes (2) half-width cantilevered, fully adjustable steel-framed glass shelves and (1) full width fixed position steel-framed glass shelf
- MaxStore smooth-glide clear bin organizes loose, bulky items; capable of storing 15 lbs of produce, 4 wine bottles or 22 cans

Cooling Performance

- Dynamic cooling technology delivers rapid cool down, frost-free operation and precise temperature stability
- Proprietary shelving design allows for cool air to circulate throughout the cabinet for temperature consistency from top to bottom
- Thermal-efficient cabinet insulates cooling environment and conserves energy while maximizing capacity
- Sound-buffering design

Convenient Controls

- Multifunction controls ensure precise refrigeration temperature management from 34°F to 42°F and freezer temperature between 0° F and 5° F to keep contents evenly frozen throughout
- Features easy-to-use settings and helpful alerts

Fit & Finish

- Arctic white LED interior lighting
- Bright arctic white interior easily wipes clean
- Reversible door allows for right or left swing for adaptable installation
- Black toe kick adjustable to 4" with leveling legs

Warranty

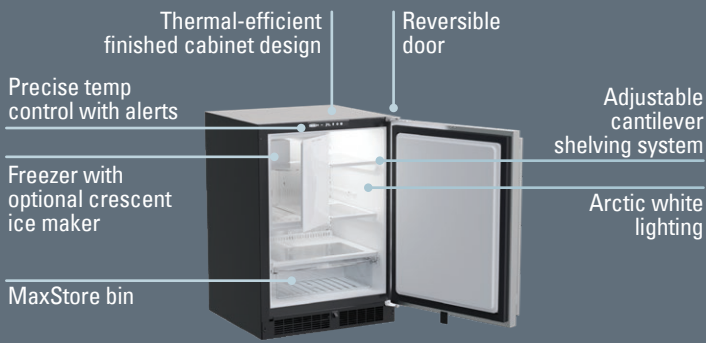
- 1-year parts and labor warranty and 5-year sealed system parts warranty



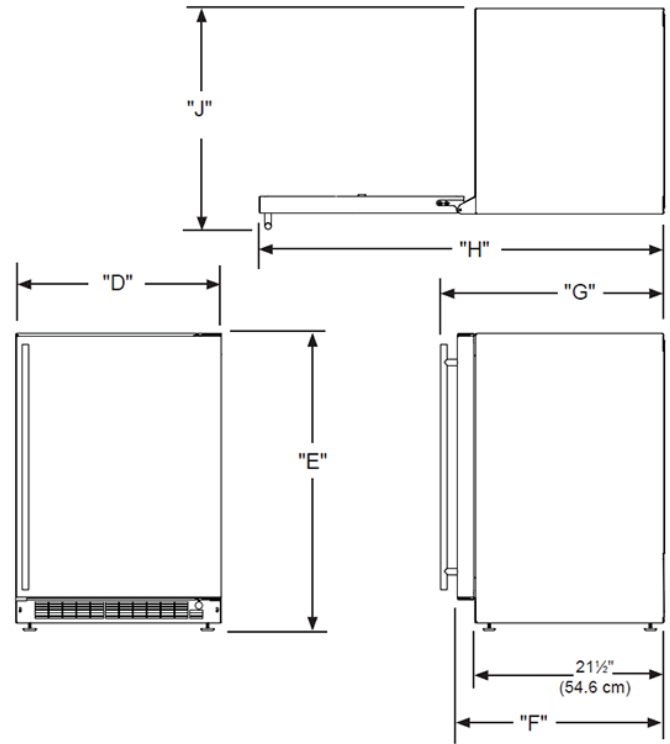
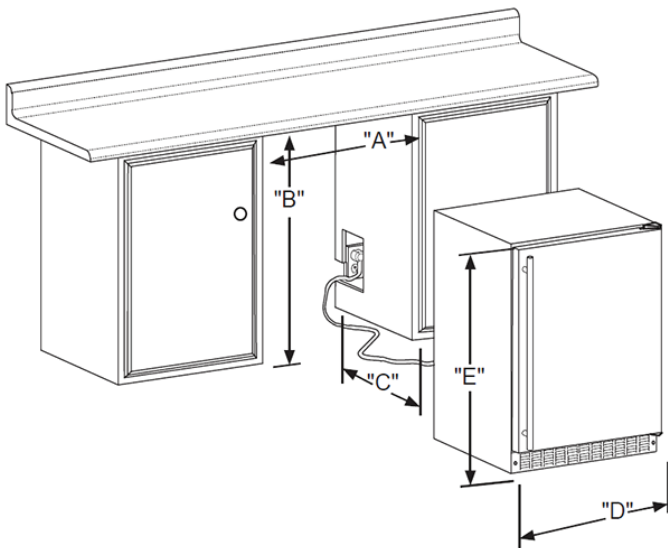
A refrigerator, freezer and ice maker all in one, this model packs the best features of your primary refrigerator into one compact undercounter footprint. Its refrigeration space fits 72 12-oz cans and the freezer stores 12 pints of ice cream - and it converts to an ice maker capable of producing 7 lbs of crescent ice a day! And the MaxStore bin can hold 15 lbs of produce, 4 wine bottles or 22 cans.

DOOR STYLE	CRESCENT ICE	MODEL NUMBER
Solid Stainless Steel	Yes	MLRI224-SS01A
Solid Panel Ready	Yes	MLRI224-IS01A
Solid Stainless Steel	No	MLRF224-SS01A
Solid Panel Ready	No	MLRF224-IS01A





H: 33 3/4" W: 23 7/8" D: 26 7/32" (with handle)



Rough In Dimensions*

"A"	"B"	"C"
24"	34-1/4" to 35-1/4"	24"
(61 CM)	(87 CM to 89.5 CM)	(61 CM)

Cabinet Dimensions*

"D"	"E"	"F"	"G"	"H"	"J"
23-7/8"	33-5/8" TO 34-5/8"	23-5/8"*	26-1/8"*	47-3/4"*	26-1/2"*
(60.7 CM)	(85.4 CM TO 87.9 CM)	(60 CM)	(66.3 CM)	(146.6 CM)	(67.3 CM)

*Stainless steel model dimensions only. For panel-ready models, see the owner's guide online at marvelrefrigeration.com.

- Capacity** 5.9 CU. FT. Total
- Control Type** Electronic
- Sabbath Mode** Yes
- Temperature Range** Refrigerator: 34°F to 42°F, Freezer: 0° F to 5° F
- Handle Style** Slim (handle not included on panel-ready models)
- Hinge Type** Reversible
- Interior Lighting** White LED
- Shelving System** Cantilevered
- Toe Grille Finish** Black

- Lock** No
- Electrical Requirements** 115V / 60 Hz / 15A
- Cord Length** 6 FT.
- Shipping Dimensions** 28" W x 31" D x 37" H
- Shipping Weight** 160 LBS
- Agency Approval** UL
- Refrigerant Type** R600a

For comprehensive installation instructions, including panel overlay details, please visit marvelrefrigeration.com to access the owner's guide.

