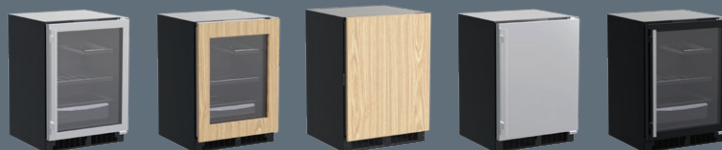


## MODELS NOW WITH BRIGHTSHIELD™

### ANTIMICROBIAL PROTECTION

BrightShield lighting is a proprietary biotechnology innovation that provides continuous antimicrobial action to create a cleaner environment for your food and beverages. BrightShield kills\* viruses, bacteria, fungi, yeasts, mold, and mildew and is even proven effective against the most difficult class of viruses to kill. Additionally, this UV-free LED light technology is approved for continuous use around people, pets and plants.

## FINISH OPTIONS



# 24" Marvel Refrigerator with 3-in-1 Convertible Shelf and MaxStore Bin

MLRE224

### Storage Adaptability

- 5.3 cu. ft. capacity, stores up to (162) 12-oz cans and/or 7 bottles of wine
- 3-in-1 Split Convertible Shelf offers cantilevered glass shelving, wine racks, or hybrid options
- Tall item storage: half-width interior shelf allows for high-clearance vertical storage
- MaxStore smooth-glide clear bin organizes loose, bulky items; capable of storing 15 lbs of produce, 4 wine bottles or 22 cans

### Cooling Performance

- Dynamic cooling technology delivers rapid cool down, frost-free operation and precise temperature stability
- Proprietary shelving design allows for cool air to circulate throughout cabinet for temperature consistency from top to bottom
- Thermal-efficient cabinet insulates cooling environment and conserves energy while maximizing capacity
- Argon-filled, UV-resistant tinted dual pane glass door protects contents from damaging ultraviolet light and helps conserve energy
- Sound-buffering design

### Convenient Controls

- Multifunction controls allow you to select a precise temperature from 34° F to 60° F
- Features easy-to-use settings and options

### Fit & Finish

- Luminous LED light and elegant midnight black interior
- Solid black shelf fronts
- Reversible door allows for right or left swing for adaptable installation
- Black toe kick adjustable to 4" with leveling legs

### Warranty

- 1-year parts and labor warranty and 5-year sealed system parts warranty

\* Testing on a non-enveloped virus (MS2 bacteriophage) showed a 97.12% reduction in controlled laboratory testing in 8 hours on hard surfaces. Testing on SARS-CoV-2 (enveloped virus) showed a 98.45% reduction in controlled laboratory testing in 4 hours on hard surfaces. Testing on MRSA and E. coli showed 90%+ reduction in controlled laboratory testing in 24 hours on hard surfaces. Results may vary depending on the amount of light that is reaching the surfaces in the space where the product is installed and the length of time of exposure. Use of Vyy antimicrobial light is not intended to replace manual cleaning and disinfection practices.

*Models with BrightShield™ UV-free LED lighting with Vyy™ antimicrobial technology kill\* viruses, bacteria, fungi, yeasts, mold, and mildew to provide an extra layer of antimicrobial protection.*

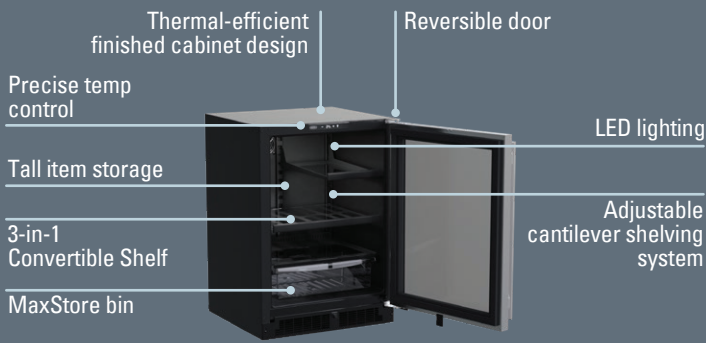
DOOR STYLE	MODEL NUMBER
Stainless Steel Frame Glass	MLRE224-SG01A
Panel Ready Frame Glass	MLRE224-IG01A
Solid Panel Ready	MLRE224-IS01A
Solid Stainless Steel	MLRE224-SS01A
Black Frame Glass	MLRE224-BG01A

### MODELS WITH BRIGHTSHIELD™ ANTIMICROBIAL LIGHT

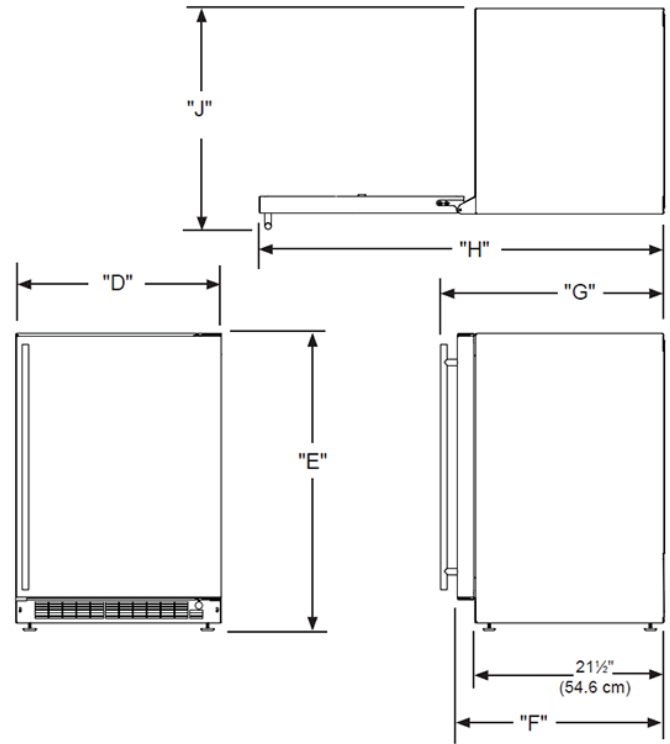
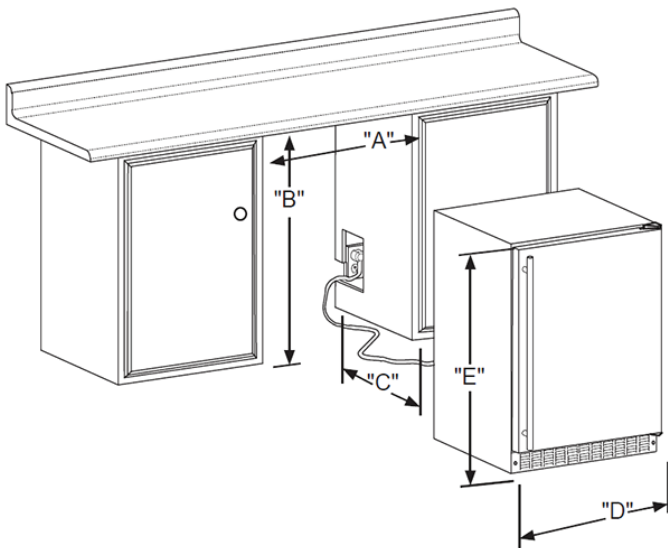
Stainless Steel Frame Glass	MLRE224-SG81A
Panel Ready Frame Glass	MLRE224-IG81A
Solid Panel Ready	MLRE224-IS81A
Solid Stainless Steel	MLRE224-SS81A
Black Frame Glass	MLRE224-BG81A

**BrightShield™**





H: 33 3/4" W: 23 7/8" D: 25 21/32" (with handle)



**Rough In Dimensions\***

"A"	"B"	"C"
24"	34-1/4" to 35-1/4"	24"
(61 CM)	(87 CM to 89.5 CM)	(61 CM)

**Cabinet Dimensions\***

"D"	"E"	"F"	"G"	"H"	"J"
23-7/8"	33-5/8" TO 34-5/8"	23-5/8"*	25-21/32"*	47-3/4"*	26-1/2"*
(60.7 CM)	(85.4 CM TO 87.9 CM)	(60 CM)	(65.2 CM)	(146.6 CM)	(67.3 CM)

\*Stainless steel model dimensions only. For panel-ready models, see the owner's guide online at [marvelrefrigeration.com](http://marvelrefrigeration.com).

<b>Capacity</b>	5.3 CU. FT.
<b>Control Type</b>	Electronic
<b>Sabbath Mode</b>	Yes
<b>Temperature Range</b>	34°F to 60°F
<b>Handle Style</b>	Slim (handle not included on panel-ready models)
<b>Hinge Type</b>	Reversible
<b>Interior Lighting</b>	White LED (non-BrightShield models)
<b>Shelving System</b>	Cantilevered
<b>Toe Grille Finish</b>	Black

<b>Lock</b>	No
<b>Electrical Requirements</b>	115V / 60 Hz / 15A
<b>Cord Length</b>	6 FT.
<b>Shipping Dimensions</b>	28" W x 31" D x 37" H
<b>Shipping Weight</b>	160 LBS
<b>Agency Approval</b>	UL
<b>Refrigerant Type</b>	R600a

For comprehensive installation instructions, including panel overlay details, please visit [marvelrefrigeration.com](http://marvelrefrigeration.com) to access the owner's guide.

