



15" Marvel Clear Ice Machine with Arctic Illuminice™ Lighting

Models# ML15CL & ML15CP

Performance

- The quietest ice machine you can buy
- New energy-saving options conserve water and electricity
- Engineered to consistently produce pure, clear ice with unrivaled clarity, immediate cooling and slower melt
- Produces up to 39 pounds of clear ice daily, the equivalent of nearly eight convenience-store ice bags
- Close Door Assist System™ prevents energy loss by automatically drawing door to a gentle close
- Streamlined componentry and single-connection water fitting for simple installation

Storage Capabilities

- Stores 35 pounds of clear ice in thermal-insulated ice bin
- Sleek scoop design is positioned for easy reach
- Easy-to-clean, hygienic interior surface

Touchscreen Controls

- Multifunction Marvel Intuit™ Integrated Controls adapt ice production to usage needs
- Eco Ice™ and Vacation/Delay Start modes save up to 25% water and electricity
- Audible alerts and programmed cleaning reminders

Aesthetics

- New Illuminice™ feature projects arctic white LED lighting through clear ice for a dazzling illumination effect
- Designer handle, stainless steel exterior door and white interior
- Easy-to-install panel ready option with soft-close integrated hinge
- Black toe kick adjustable to 4" with leveling legs
- Finish options: stainless steel, black or overlay panel*

Warranty

- 1-year parts and labor warranty, 5-year sealed system parts warranty



24-Hour Ice Production

Air Temp	72°F	90°F
Water Temp	55°F	72°F
Ice Production	39.83 lbs	33.44 lbs

Air and water temperature can impact the ice production rate of your clear ice machine.

Proper Ice Machine Care

Each model is programmed with manufacturer-recommended cleaning reminders. To ensure maximum performance and ice quality, clean your ice machine once every 6 months or more depending on use and water quality.

For Marvel-approved cleaning accessories, see Ordering Options.

Ordering Details	GRAVITY DRAIN	FACTORY INSTALLED PUMP
Solid Stainless Steel Door, Right Hinge	ML15CLS1RS	ML15CPS1RS
Solid Stainless Steel Door, Left Hinge	ML15CLS1LS	ML15CPS1LS
Black Door, Right Hinge	ML15CLS1RB	ML15CPS1RB
Black Door, Left Hinge	ML15CLS1LB	ML15CPS1LB
Panel-Ready Overlay Door, Integrated Right Hinge*	ML15CLP2RP	ML15CPP2RP
Panel-Ready Overlay Door, Integrated Left Hinge*	ML15CLP2LP	ML15CPP2LP
Clear Ice Machine Cleaner, 4-oz. bottle	S41013789	

*Easy installation! No panel kit required. Consult your cabinet maker for overlay panel and handle options.



Stainless Steel



Black



Overlay Panel*

Rough-In Dimensions			
MODEL	"A"	"B"	"C"
ML15C*S	15" (38.1 cm)	34" to 35" (86.4 cm to 88.9 cm)	24" (61 cm)
ML15C*P	15" (38.1 cm)	34 ¹ / ₄ " to 35 ¹ / ₄ "	24" (61 cm)

DOOR STYLE
(S) Solid Door
(P) Solid Overlay Door (no handle)

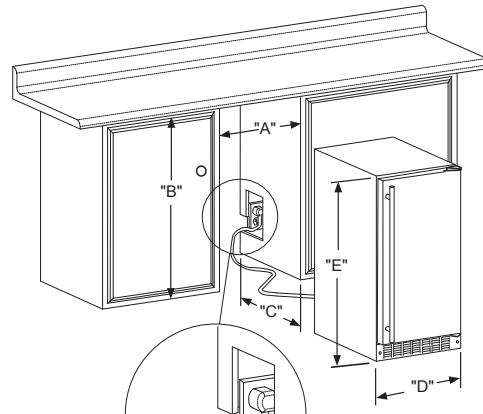


Figure 17

Figure 17a

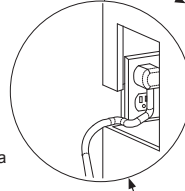
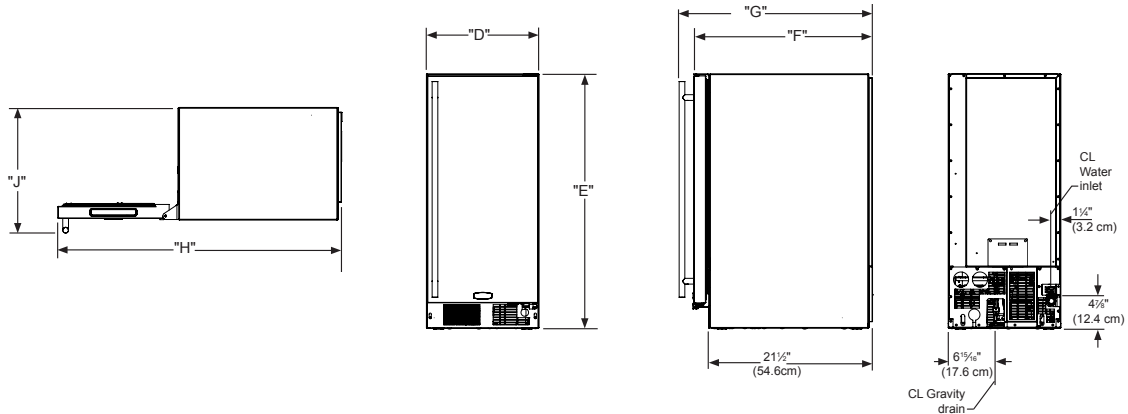


Figure 18

If necessary to gain clearance inside the rough-in opening a hole can be cut through the adjacent cabinet and the power cord routed through this hole to a power outlet. Another way to increase the available opening depth is to recess the power outlet into the rear wall to gain the thickness of the power cord plug. Not all recessed outlet boxes will work for this application as they are too narrow, but a recessed outlet box equivalent to Arlington #DVF1W is recommended for this application, (see Figure 18).

Cabinet Dimensions						
MODEL	"D"	"E"	"F"	"G"	"H"	"J"
ML15C*S	14 ⁷ / ₈ " (37.8 cm)	33 ³ / ₄ " to 34 ³ / ₄ " (85.7 to 88.3 cm)	23 ²³ / ₃₂ " (60.2 cm)	26 ⁷ / ₃₂ " (66.6 cm)	37 ³ / ₈ " (94.9 cm)	16 ⁷ / ₈ " (42.9 cm)
ML15C*P	14 ⁷ / ₈ " (37.8 cm)	34" to 35" (86.4 to 88.9 cm)	22 ¹⁵ / ₁₆ " (58.3 cm)	-	37 ¹ / ₂ " (95.2 cm)	14 ¹ / ₈ " (35.9 cm)



Width	14 ⁷ / ₈ "	Control Type	Intuit™
Interior Finish	White	Lock	No
Capacity	35 lbs	Electrical Requirements	120V / 60Hz / 15A
Other Storage	Ice Bin	Length of Power Cord	5'
Interior Lighting	(1) Arctic White Waterproof LED Pod	Shipping Weight	160 lbs
Toe Grill Finish	Black	Appliance Weight	90 to 100 lbs
Hinge	Classic Hinge (SS, B), Integrated Hinge (O)	Finishes	SS, B, O
Handle	Designer (SS, B models only)	Agency Approvals	CSA

Finishes Key

- SS = Stainless Steel
- B = Black
- O = Overlay