

Fresh Living Tip

The 32-inch height of the Marvel Low Profile Crescent Ice Maker makes it the ideal option for installations of shorter stature, such as universal-design applications and remodels that have thick flooring to accommodate. You get the height you need without losing any ice production volume.

FINISH OPTIONS



15" Marvel Low Profile Crescent Ice Machine

MACR215

Storage Adaptability

- Stores 25 lbs of crescent ice
- Removable ice bin for convenient access and easier cleaning
- No pump or drain required

Cooling Performance

- Produces up to 25 lbs of crescent ice per day
- Minimizes water usage, only 3 gallons average daily rate
- Daily ice production rate nearly 4x greater than standard household ice maker
- Crescent ice cube dimensions: 1/2" W x 3/4" H x 2 1/4" L
- Thermal-efficient cabinet insulates cooling environment and conserves energy while maximizing capacity

Convenient Controls

- On/Off switch within quick reach at the front of the unit

Fit & Finish

- Low profile, ADA-compliant height allows for universal installation applications
- Easy to clean arctic white interior
- Reversible door allows for right or left swing for adaptable installation
- Black toe kick and four leveling legs

Warranty

- 1-year parts and labor warranty and 5-year sealed system parts warranty



Our crescent ice maker makes up to 25 pounds of ice every day. You'll be able to enjoy chilled drink after chilled drink all day long.

DOOR STYLE

Solid Stainless Steel

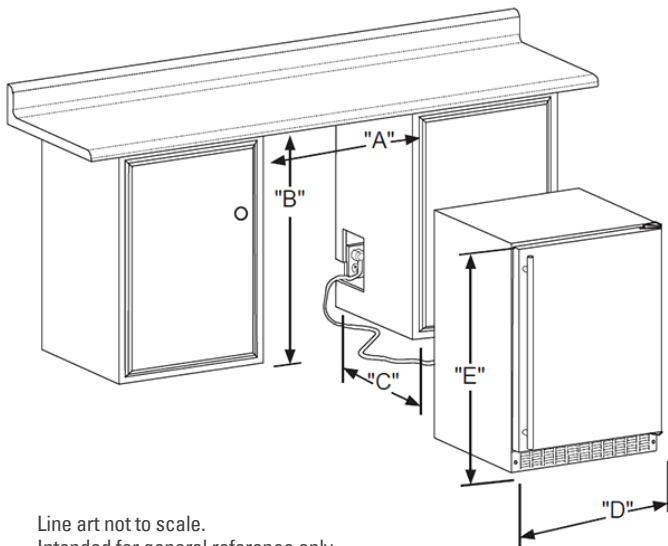
MODEL NUMBER

MACR215-SS01A

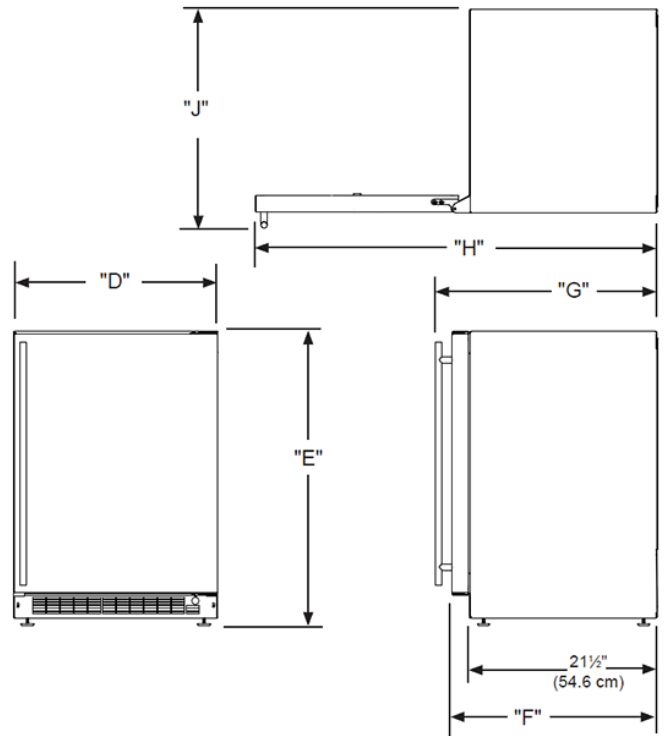




H: 31 1/8" W: 14 7/8" D: 21 1/2" (with handle)



Line art not to scale.
Intended for general reference only.



Rough In Dimensions

"A"	"B"	"C"
15"	32" to 33"	24"
(38.1 CM)	(81.3 CM to 83.9 CM)	(61 CM)

Cabinet Dimensions

"D"	"E"	"F"	"G"	"H"	"J"
14-7/8"	32" TO 33"	23-5/8"	25-1/2"	37-3/8"	16-5/8"
(37.8 CM)	(81.3 CM TO 83.9 CM)	(60 CM)	(66.3 CM)	(146.6 CM)	(42.3 CM)

Capacity	25 lbs
Control Type	On/Off Switch
Sabbath Mode	No
Temperature Range	N/A
Handle Style	Slim
Hinge Type	Reversible
Interior Lighting	N/A
Shelving System	N/A
Toe Grille Finish	Black

Lock	No
Electrical Requirements	115V / 60 Hz / 15A
Cord Length	6 FT.
Shipping Dimensions	18" W x 29" D x 36" H
Shipping Weight	93 LBS
Agency Approval	UL
Refrigerant Type	R134a

For comprehensive installation instructions, please visit marvelrefrigeration.com to access the owner's guide.

