

Fresh Living Tip

Are you extremely limited on space, but still want a high-production ice maker? Our ultra-compact crescent ice maker model is just the match for you. Despite its size, it makes up to 23 pounds of ice daily! It can fit easily under a counter or on a tabletop, and is designed to be built in, too.

FINISH OPTIONS



14" Marvel Low Profile Compact Crescent Ice Machine

MACR214

Storage Adaptability

- Stores 12 lbs of crescent ice
- Removable ice bin for convenient access and easier cleaning
- No pump or drain required

Performance

- Produces up to 23 lbs of crescent ice per day
- Minimizes water usage, only 3 gallons average daily rate
- Daily ice production rate nearly 4x greater than standard household ice maker
- Crescent ice cube dimensions: 1/2" W x 3/4" H x 2 1/4" L

Convenient Controls

- On/Off switch within quick reach at the front of the unit

Fit & Finish

- Compact, low profile height allows for countertop and universal installation applications
- Easy to clean arctic white interior
- Reversible door allows for right or left swing for adaptable installation
- Black toe kick and four leveling legs

Warranty

- 1-year parts and labor warranty and 5-year sealed system parts warranty



DOOR STYLE

MODEL NUMBER

Solid Stainless Steel

MACR214-SS01A

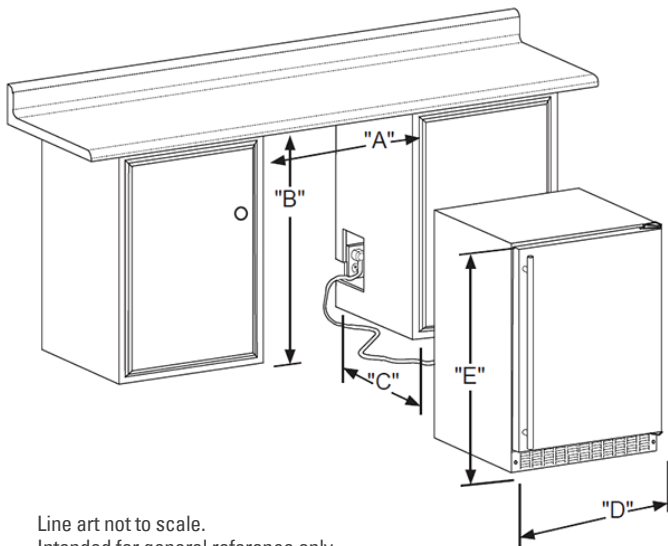
Solid Black

MACR214-BS01A

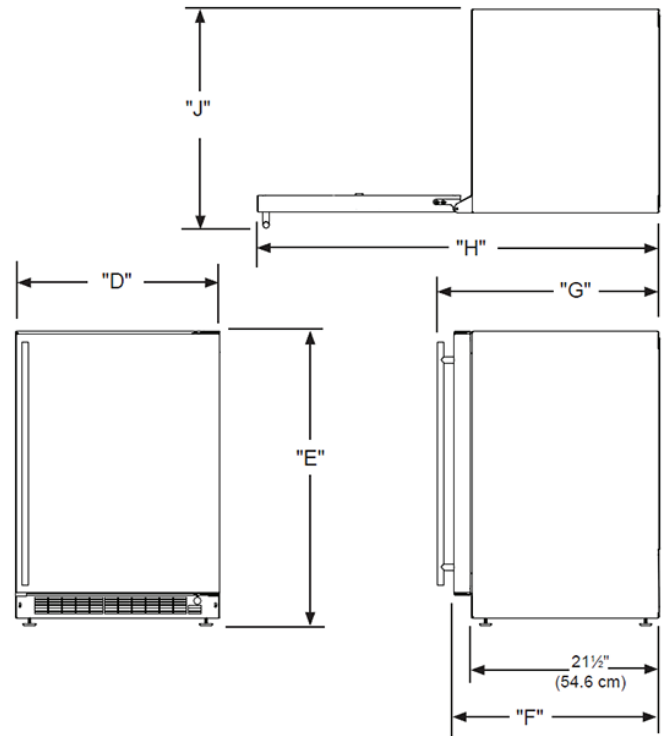




H: 24 3/4" W: 13 15/16" D: 17" (with handle)



Line art not to scale.
Intended for general reference only.



Rough In Dimensions

"A"	"B"	"C"
14-3/16"	25-1/16"	18-1/2"
(36 CM)	(63.7 CM)	(47 CM)

Cabinet Dimensions

"D"	"E"	"F"	"G"	"H"	"J"
13-15/16"	24-3/4"	17"	18-11/16"	24-3/4"	16-5/8"
(35.4 CM)	(62.9 CM)	(43.2 CM)	(47.5 CM)	(62.87 CM)	(42.3 CM)

Capacity	12 lbs Crescent Ice Storage
Control Type	On/Off Switch
Sabbath Mode	No
Temperature Range	N/A
Handle Style	Slim
Hinge Type	Reversible
Interior Lighting	N/A
Shelving System	N/A
Toe Grille Finish	Black

Lock	No
Electrical Requirements	115V / 60 Hz / 15A
Cord Length	6 FT.
Shipping Dimensions	18" W x 25" D x 30" H
Shipping Weight	61 LBS
Agency Approval	UL
Refrigerant Type	R600a

For comprehensive installation instructions, please visit marvelrefrigeration.com to access the owner's guide.

