

Fresh Living Tip

Designed for low profile, ADA height installation, this versatile 3-in-1 system stores a wide assortment of food, wine and beverages.

FINISH OPTIONS



24" Marvel Low Profile Beverage Center with Convertible Shelf and MaxStore Bin

MABV224

Storage Adaptability

- 4.9 cu. ft. capacity stores (95) 12-oz cans and/or (7) wine bottles
- 3-in-1 Convertible Shelf converts to a partial or full wine rack with vibration neutralization
- Tall item storage: half-width interior shelf allows for high-clearance vertical storage
- MaxStore smooth-glide clear bin organizes loose, bulky items and can store 15 lbs of produce, 4 wine bottles or 22 cans

Cooling Performance

- Dynamic cooling technology delivers rapid cool down, frost-free operation and precise temperature stability
- Proprietary shelving design allows for cool air to circulate throughout compartment for temperature consistency from top to bottom
- Thermal-efficient cabinet insulates cooling environment and conserves energy while maximizing capacity
- Argon-filled, UV-resistant tinted dual pane glass door protects contents from damaging ultraviolet light and helps conserve energy
- Sound-buffering design

Convenient Controls

- Multifunction controls allow you to select a precise cabinet temperature from 34° F to 60° F
- Features easy-to-use settings and options

Fit & Finish

- Low profile, ADA-compliant height allows for universal installation applications
- Elegant midnight black interior and shelf fronts
- Arctic white LED lighting brightly illuminates interior
- Reversible door allows for right or left swing for adaptable installation
- Black toe kick adjustable to 4" with leveling legs
- Door lock for added safety and security

Warranty

- 1-year parts and labor warranty and 5-year sealed system parts warranty



A split convertible glass shelf converts to hybrid food, beverage or wine storage and the cantilevered shelving system is fully adjustable to accommodate for items of various heights. The MaxStore smooth-glide clear-view bin stores as many as 15 pounds of produce, 4 wine bottles or 22 12-oz cans.

3-in-1 Convertible Shelf

Glass Shelving



Glass Shelving and Wine Rack



Wine Rack



Choose glass shelving, wine rack with a Vibration Neutralization System or all-in-one configuration, allowing storage for 3, 4, or 7 wine bottles.

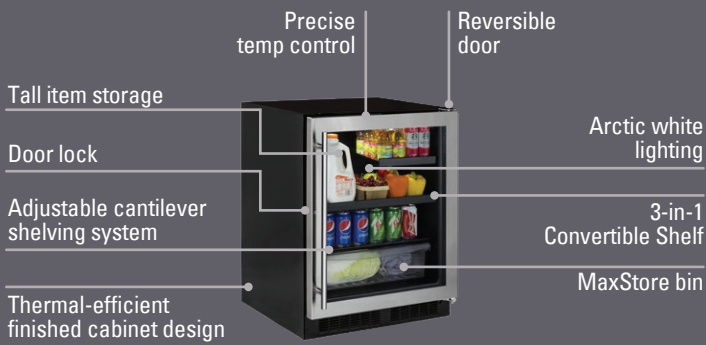
DOOR STYLE

Stainless Steel Frame Glass

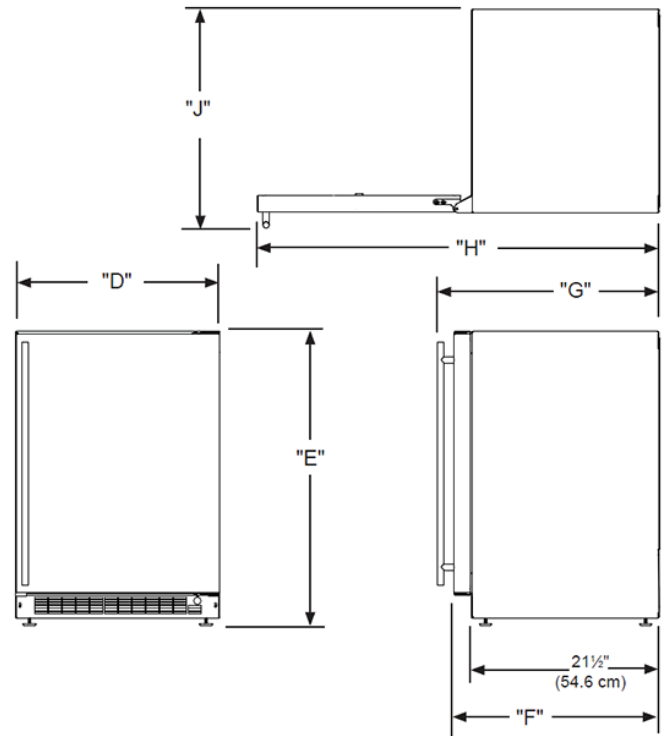
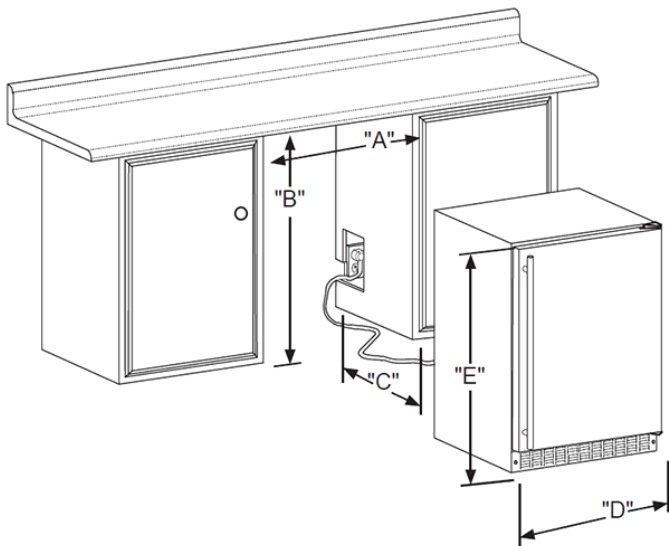
MODEL NUMBER

MABV224-SG31A





H: 31 1/8" W: 23 7/8" D: 25 21/32" (with handle)



Rough In Dimensions

"A"	"B"	"C"
24"	31-1/4" to 32-1/4"	24"
(61 CM)	(79.4 CM to 81.9 CM)	(61 CM)

Cabinet Dimensions

"D"	"E"	"F"	"G"	"H"	"J"
23-7/8"	31-1/8" TO 32-1/8"	23-5/8"	25-21/32"	47-3/4"	26-1/2"
(60.7 CM)	(79.1 CM TO 81.6 CM)	(60 CM)	(65.2 CM)	(146.6 CM)	(67.3 CM)

Capacity	4.9 CU. FT.
Control Type	Electronic
Sabbath Mode	Yes
Temperature Range	34° F to 60° F
Handle Style	Slim
Hinge Type	Reversible
Interior Lighting	White LED
Shelving System	Cantilevered
Toe Grille Finish	Black

Lock	Yes
Electrical Requirements	115V / 60 Hz / 15A
Cord Length	6 FT.
Shipping Dimensions	28" W x 31" D x 37" H
Shipping Weight	160 LBS
Agency Approval	UL
Refrigerant Type	R600a

For comprehensive installation instructions, please visit marvelrefrigeration.com to access the owner's guide.

