



15" Marvel Low Profile Crescent Ice Machine ADA Height

Model # MA15CRS1

Performance

- Insulated thermal-efficient cabinet

Storage Capabilities

- Stores 15 lbs of crescent ice
- Removable ice bin for easy cleaning

Aesthetics

- Sleek stainless steel door and designer handle
- Finish: stainless steel

Additional Convenience

- Low profile, ADA height allows for universal installation applications
- No pump or drain required
- Close Door Assist System™ gently and automatically draws door to a close, ensuring door is never accidentally left ajar
- Black toe kick adjustable up to 4" with leveling legs
- 1-year parts and labor warranty, 5-year sealed system parts warranty



Ordering Options

Solid Stainless Steel Door, Right Hinge,
Stainless Designer Handle

MA15CRS1RS

Solid Stainless Steel Door, Left Hinge,
Stainless Designer Handle

MA15CRS1LS

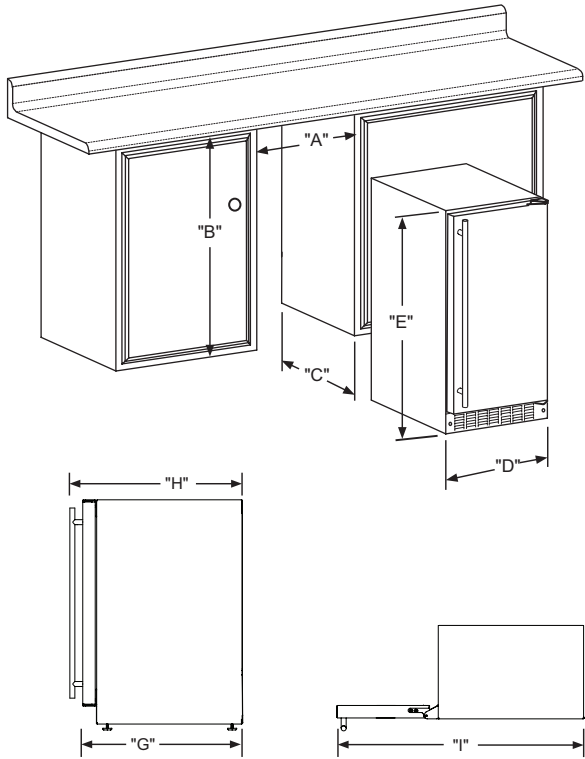


Finish Options



Stainless Steel

Product Dimensions



Rough-In Dimensions

A. Rough-In Width	15"
B. Rough-In Height	31 3/8" to 32 3/8"
C. Rough-In Depth	24"

Product Dimensions

D. Width	14 7/8"	
E. Height	31 1/8 to 32 1/8	
F. Depth	19 23/32"	
G. Depth to Front of Door	Solid Door	21 25/32"
	Overlay Door	NA
H. Depth to Handle	23 11/16' (Stainless Steel)	
I. Depth with door at 90°	Solid Door	35 5/8"
	Overlay Door	NA

Product Features

Interior Cabinet Finish	White
Capacity	Up to 15 lbs of crescent ice
Shelving System	NA
Shelf Fronts	NA
Other Storage	Ice Bin
Interior Lighting	NA
Toe Grill Finish	Black
Hinge	Classic Hinge
Handle	Slim Designer Handle
Control Type	NA
Temperature Range	NA
Lock	No
Electrical Requirements	120V / 60Hz / 15A
Length of Power Cord	6'
Shipping Weight	120 lbs
Finishes	Stainless Steel
Vacation Mode	No
Agency Approvals	CSA

For comprehensive installation instructions, please visit www.marvelrefrigeration.com to access the owner's guide.