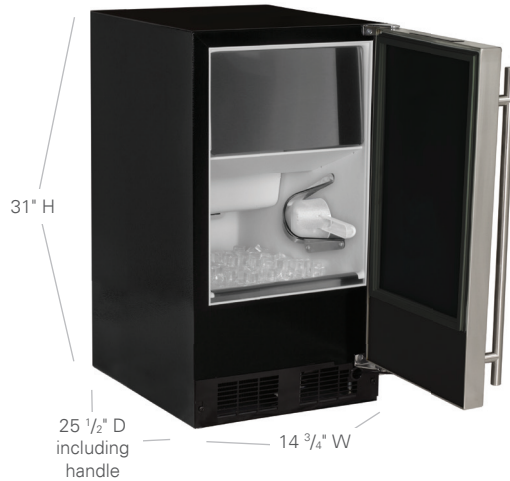




15" Marvel Low Profile Clear Ice Machine with Arctic Illuminice™ Lighting

Models # MA15CL & MA15CP



Performance

- The quietest ice machine you can buy
- New energy-saving options conserve water and electricity
- Engineered to consistently produce pure, clear ice with unrivaled clarity that immediately cools your drink with slower melt
- Produces up to 39 pounds of clear ice daily, the equivalent of nearly eight convenience-store ice bags
- Close Door Assist System™ prevents energy loss by automatically drawing door to a gentle close
- Low profile, ADA height allows for universal installation applications, both commercial and residential
- Streamlined componentry and single-connection water fitting for simple installation

Storage Capabilities

- Large-capacity, thermal-insulated bin stores 35 pounds of clear ice

Touchscreen Controls

- Multifunction Marvel Intuit™ Integrated Controls adapt ice production to varying usage conditions
- Eco Ice™ and Vacation/Delay Start modes conserve up to 25% electricity water
- Audible alerts and programmed cleaning reminders

Aesthetics

- New Illuminice™ feature projects arctic white LED lighting through clear ice for a dazzling illumination effect
- Designer handle, stainless steel exterior and white interior
- Black toe kick adjustable to 4" with leveling legs
- Finish options: stainless steel or overlay (panel-ready)*

Warranty

- 1-year parts and labor warranty, 5-year sealed system parts warranty



24-Hour Ice Production

Air Temp	72°F	90°F
Water Temp	55°F	72°F
Ice Production	39.83 lbs	33.44 lbs

Air and water temperature can impact the ice production rate of your clear ice machine.

Proper Ice Machine Care

Each model is programmed with manufacturer-recommended cleaning reminders. To ensure maximum performance and ice quality, clean your ice machine once every 6 months or more depending on use and water quality.

For Marvel-approved cleaning accessories, see Ordering Options.

Ordering Options

	Gravity Drain	Factory Installed Pump
Solid Stainless Steel Door, Right Hinge	MA15CLS1RS	MA15CPS1RS
Solid Stainless Steel Door, Left Hinge	MA15CLS1LS	MA15CPS1LS
Panel-Ready Solid Overlay Door, Right Hinge*	MA15CLP1RP	MA15CPP2RP
Panel-Ready Solid Overlay Door, Left Hinge*	MA15CLP1LP	MA15CPP2LP
Clear Ice Machine Cleaner, 4-oz. bottle	S41013789	

*Easy installation! No panel kit required. Consult your cabinet maker for overlay panel and handle options

Finish Options



Stainless Steel



Solid Overlay (Panel Ready)*



Black

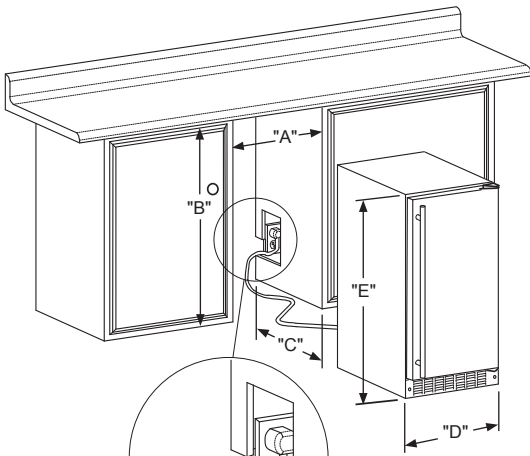


Figure 16
(S) Solid door
shown

Figure 16a

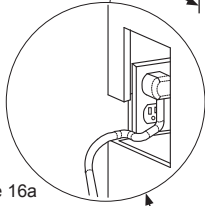


Figure 17

If necessary to gain clearance inside the rough-in opening a hole can be cut through the adjacent cabinet and the power cord routed through this hole to a power outlet. Another way to increase the available opening depth is to recess the power outlet into the rear wall to gain the thickness of the power cord plug. Not all recessed outlet boxes will work for this application as they are too narrow, but a recessed outlet box equivalent to Arlington #DVFR1W is recommended for this application, (see Figure 17).

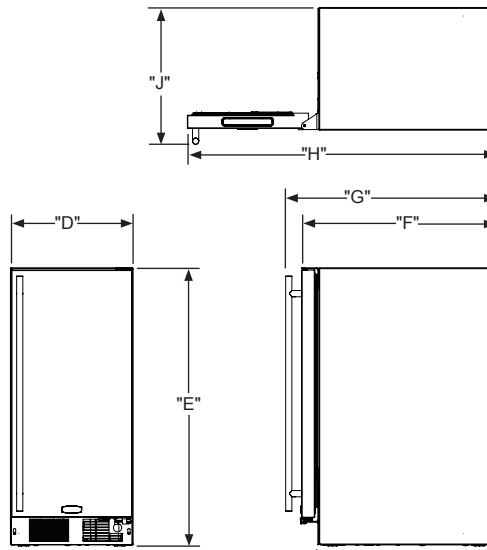
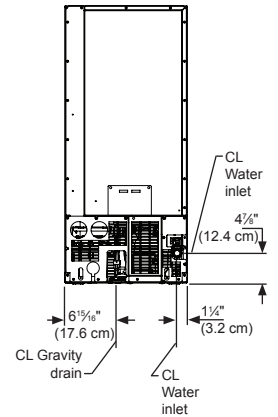


Figure 18
(S) Solid door
shown



MODEL	ROUGH-IN OPENING DIMENSIONS			CABINET DIMENSIONS					
	"A"	"B"	"C"	"D"	"E"	"F"	"G"	"H"	"J"
MA15C*S	15" (38.1 cm)	**31 ³ / ₈ " to 32 ³ / ₈ " (79.7 to 82.2 cm)	24" (61 cm)	14 ⁷ / ₈ " (37.8 cm)	31 ¹ / ₈ " to 32 ¹ / ₈ " (79.1 to 81.6 cm)	23 ⁵ / ₈ " (60 cm)	25 ¹ / ₂ " (64.8 cm)	37 ¹ / ₁₆ " (95.4 cm)	16 ⁹ / ₁₆ " (42.1 cm)
MA15C*P	15" (38.1 cm)	**31 ³ / ₈ " to 32 ³ / ₈ " (79.7 to 82.2 cm)	* 24" (61 cm)	14 ⁷ / ₈ " (37.8 cm)	31 ¹ / ₈ " to 32 ¹ / ₈ " (79.1 to 81.6 cm)	22 ⁷ / ₈ " (58.1 cm)	-	37 ¹ / ₁₆ " (95.4 cm)	13 ⁷ / ₈ " (35.3 cm)

DOOR STYLE
(S) Solid Door
(P) Solid Overlay Door (no handle)

Width	14 ⁷ / ₈ "	Control Type	Intuit™
Interior Finish	White	Lock	No
Capacity	35 lbs	Electrical Requirements	120V / 60Hz / 15A
Other Storage	Ice Bin	Length of Power Cord	5'
Interior Lighting	(1) Arctic White Waterproof LED Pod	Shipping Weight	160 lbs
Toe Grill Finish	Black	Appliance Weight	90 to 100 lbs
Hinge	Classic Hinge (SS, B), Integrated Hinge (O)	Finishes	SS, B, O
Handle	Designer (SS, B models only)	Agency Approvals	CSA

Finishes Key
 SS = Stainless Steel
 B = Black
 O = Overlay

Overlay Panels

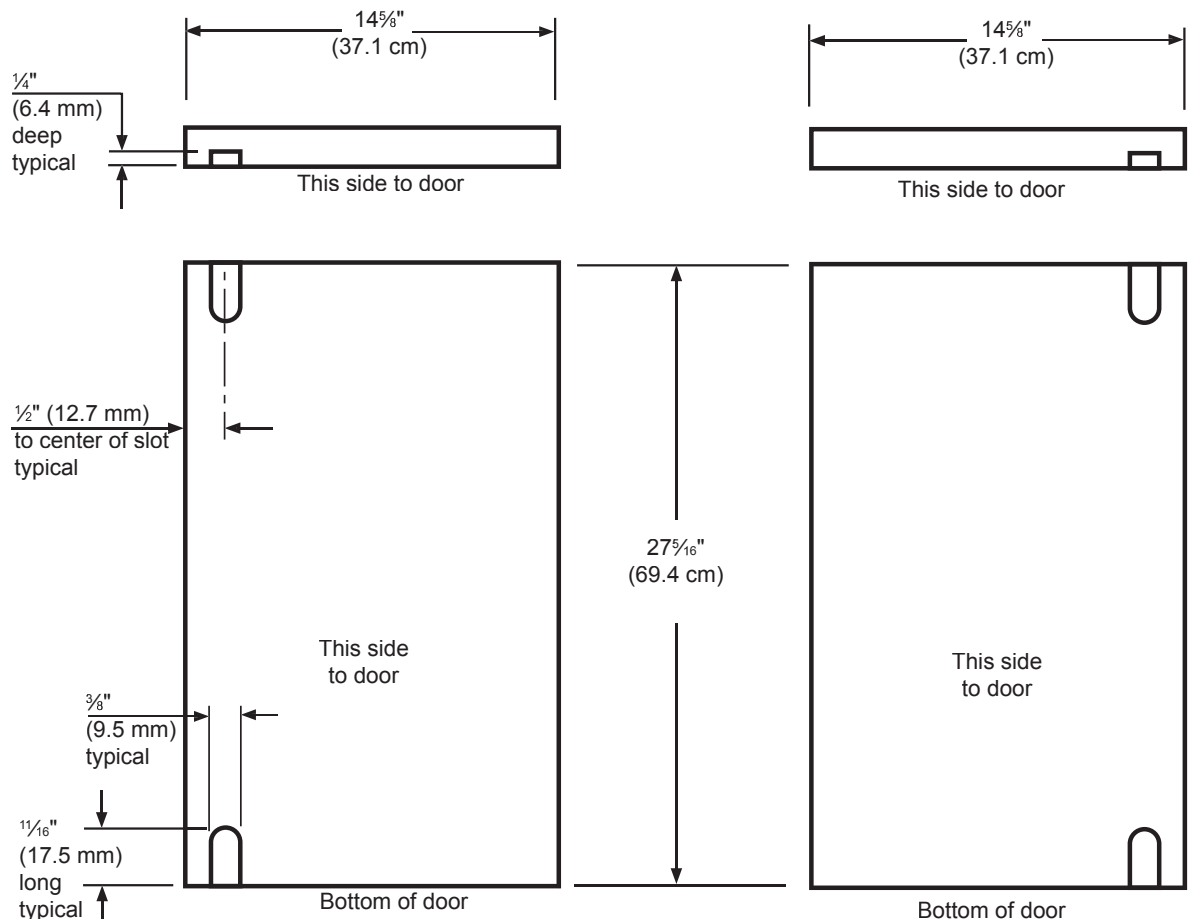


Figure 28
Panel dimensions for
a right hand hinged door

Figure 29
Panel dimensions for
a left hand hinged door

For comprehensive installation instructions, please visit www.marvelrefrigeration.com to access the owner's guide.