



Deluxe 14.4 cu.ft. Upright Freezer



MUF144W | MUF144SS

Congratulations on the purchase of your new Marathon Freezer!

To activate your Warranty, please register your appliance at www.stirlingmarathon.com or by completing and mailing the enclosed Warranty Registration Card. We are confident you will have years of hassle-free enjoyment and ask that you please retain the Use & Care Guide for future reference and your safety.

Before installing please, read your Use & Care Guide carefully and pay special attention to the Safety & Warning information outlined in the following pages.

For immediate assistance: 1-844-309-9777
www.stirlingmarathon.com

Important Safety Information

⚠️ WARNING ⚠️

SUFFOCATION HAZARD AND RISK OF CHILD ENTRAPMENT

Before installing please read your Use & Care Guide carefully and pay special attention to the Safety and Warning information outlined in the following pages.

To reduce the risk of fire, electrical shock, or injury follow these basic precautions when using your appliance.

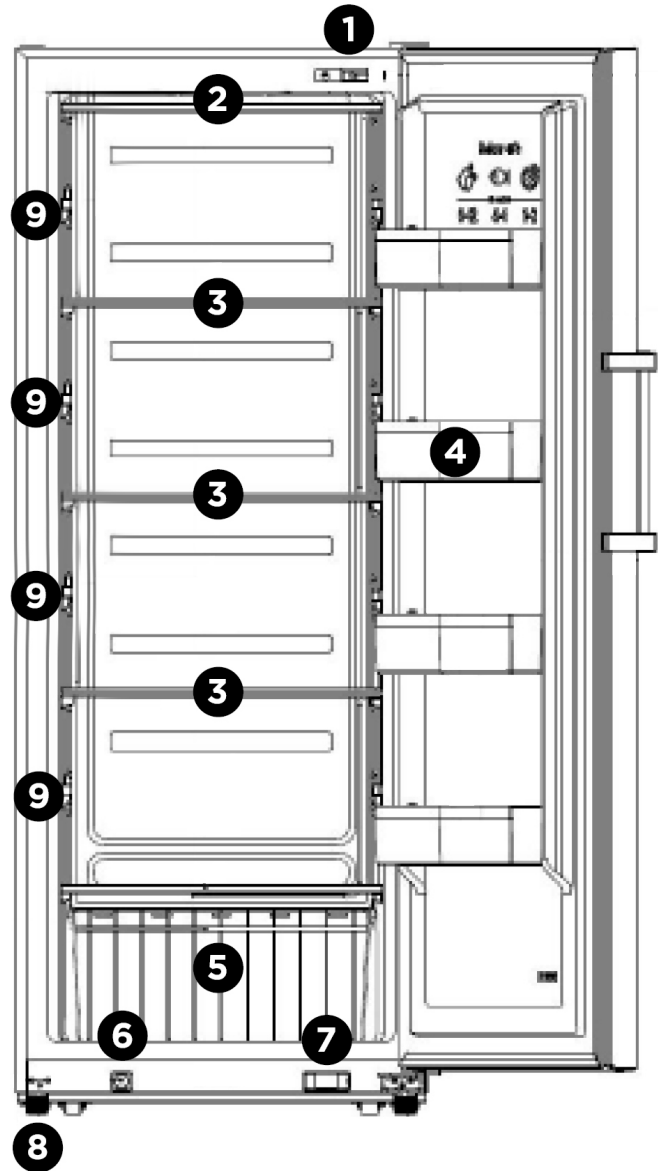
- 1) **WARNING**----Keep ventilation openings, in the appliance enclosure or in the built-in structure, clear of obstruction.
- 2) **WARNING**----Do not use mechanical devices or other means to accelerate the defrosting process, other than those recommended by the manufacturer.
- 3) **WARNING**----Do not use electrical appliances inside the appliance
- 4) **WARNING**----DANGER: Never allow children to play with, operate, or crawl inside the appliance. Risk of child entrapment.

Before you discard or recycle your old refrigerator

- Completely remove the doors or lids
 - Leaves the shelves in place so that children not may easily climb inside
- 5) **WARNING**----**GROUNDING INSTRUCTIONS** This appliance must be grounded. In the event of an electrical short circuit, grounding reduces the risk of electrical shock by providing an escape wire for the electrical current. This appliance is equipped with a cord having a grounding wire with a grounding plug. The plug must be plugged into an outlet that is properly installed and grounded.
 - 6) **DO NOT USE AN EXTENSION CORD**
 - 7) Use an exclusive 115V wall outlet. Do not connect your refrigerator to extension cords or together with any other appliance in the same wall outlet. Do not splice the cord.
 - 8) Always unplug before any maintenance or service on the appliance.
 - 9) If the component part is damaged, it must be re placed by the manufacturer, its service agent or similar qualified persons in order to avoid a hazard.
 - 10) Follow local regulations regarding disposal of the appliance due to flammable refrigerant and blowing gas. All refrigeration products contain refrigerants, which under the guidelines of federal law must be removed before disposal. It is the consumer's responsibility to comply with federal and local regulations when disposing of this product.
 - 11) This appliance is intended to be used in household and similar environment such as:
 - staff kitchen, work shop, office and other working environments;
 - farm houses and by clients in hotels, motels and other residential type environments;
 - bed and breakfast type environments;
 - catering and similar non retail applications.
 - 12) Do not store or use gasoline or any inflammable liquors and liquids inside or in the vicinity of refrigerator.
 - 13) Do not use an extension cord with t his appliance. If the power cord is too short, have a qualified electrician install an outlet near the appliance. Use of an extension can negatively affect the appliance's performance.

Model Description

- 1. Thermostat/Temperature adjustment and Light switch
- 2. Interior LED Light
- 3. Fixed Quick Freeze Shelves (3)
- 4. Door Storage Bins
- 5. Removable Freezer basket
- 6. Defrost Drain
- 7. Green LED power on light
- 8. Adjustable feet
- 9. Optional Removable Shelf positions (shelves sold separately)



Installation

Installing Your Unit

- Use two or more people to move and install the appliance. Failure to do so can result in back or other injury.
- Locate the refrigerator away from direct sunlight and sources of heat (stove, heater, radiator, etc.). Direct sunlight may affect the acrylic coating and heat sources may increase electrical consumption. Do not use where the room temperature is below -15°C, or in high heat/humidity locations.
- **This freezer is not designed or approved for outdoor use.**
- The appliance must be installed with all electrical and drain connections in accordance with state and local codes. A standard electrical supply (115 V AC only, 60 Hz), properly grounded in accordance with the National Electrical Code and local codes and ordinances is required.
- The fuse (or circuit breaker) size should be 15 amperes.
- It is important for the appliance to be leveled in order to work properly. You may need to make several adjustments to level it.
- Plug into a grounded 3-prong outlet, do not remove grounding prong, do not use an adapter, and do not use an extension cord.
- We recommend that your unit be on its own circuit. Please make sure to use a receptacle not controlled by a light switch
- Place your unit on a floor that is strong enough to support the unit when it is fully loaded. To level your unit, adjust the leveling legs at the bottom of the unit.
- **Allow 5 inches of space between the back and sides of the unit, which allows the proper air circulation to cool the compressor and condenser.**
- Avoid locating the unit in moist areas.
- Before connecting the unit to the power source, let it stand upright for approximately 2 hours. This will reduce the possibility of a malfunction in the cooling system from handling during transportation.

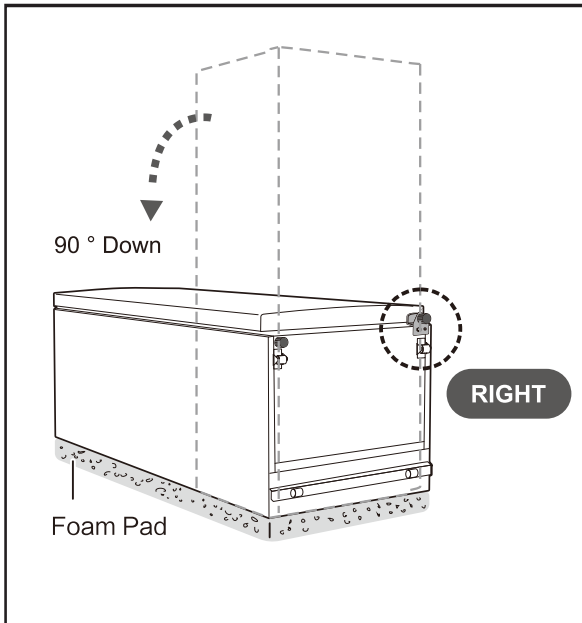
Installing the handle

1. Take out the 4 screws from the manual bag, and take the handle out of the basket.
2. If you want the door to open from the left side, please remove the plugs on the left side of the door and attach the handle using the 4 screws from the manual bag. If you want the door to open from the right side please remove the plugs from the right side of the door. Make sure you line the holes on the door up with the holes of the handle.

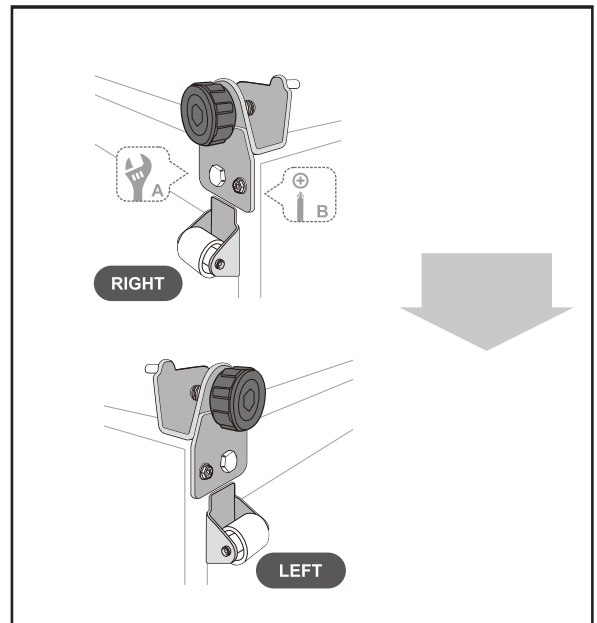


How to reverse your freezer door

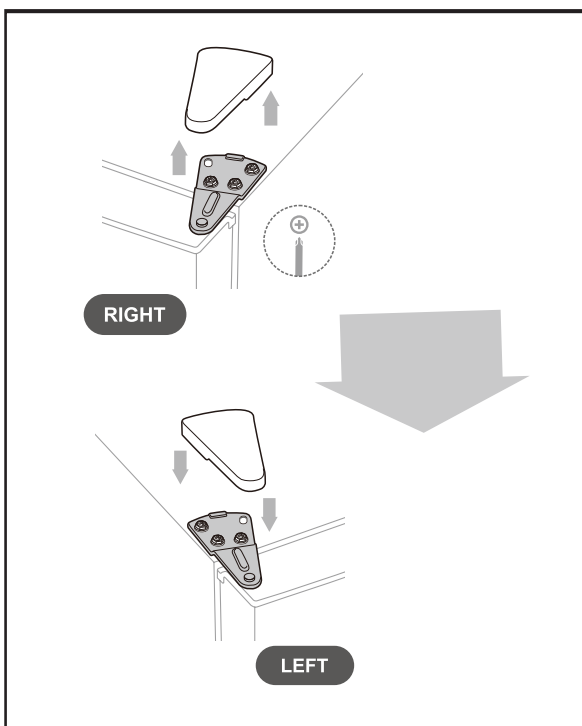
1. Put your unit with the backside facing down, put foam or towels down to protect the back.



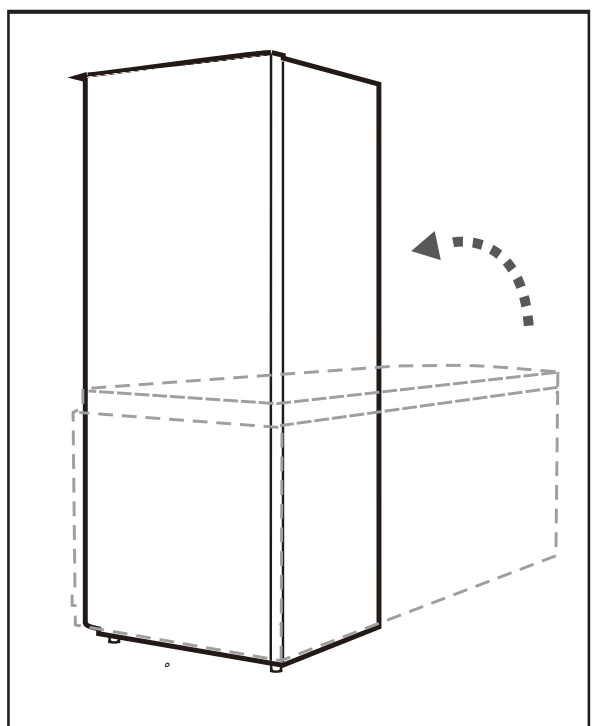
2. Then unload the down hinge, the support plate and the door limit block and fix to the left side with adjustable wrench and a cross screwdriver, as shown in the picture



3. Remove the top hinge cover using a flat head screwdriver and then remove the screws using a Philips screwdriver. Move the top hinge to the opposite side and re-attach it to the cabinet.



4. Once both hinges have been moved to the new side, stand your unit up. Please do not plug your unit in for at least 4 hour



Before first use

- Remove the exterior and interior packing.
- Clean the interior surface with lukewarm water using a soft cloth. Do not use solvent-based cleaning agents or abrasives on the interior. These cleaners may damage or discolor the interior.
- After plugging the appliance into a wall outlet, allow the unit to cool down for 2-3 hours before placing food in the refrigerator compartment.

Use and Care

Setting the Temperature Control

MAX Coldest setting (Quick Freeze)

MIN Cold Setting

Consumers can adjust the thermostat knob according to their specific needs.

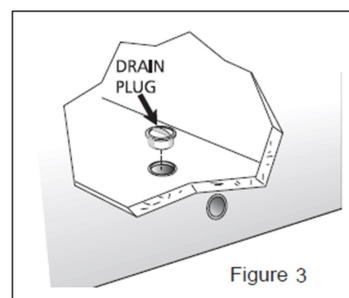
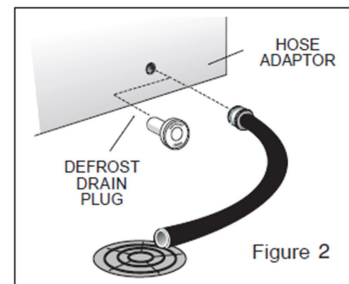
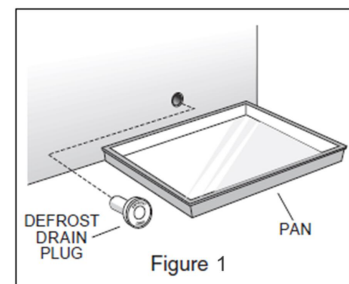
The recommended temperature point is in between the MIN and MAX for best efficiency and daily use

Caution: The “MAX” setting is applicable to quick freeze or preserve large amount of food, switch to the medium setting after quick freezing. (Normally time for quick freezing shall not exceed 4 hours).

Caution: It is not recommended to use the MAX setting for everyday use as this will use more energy.

Defrosting your freezer

- **When?** For the most efficient operation and minimum energy consumption, defrost the unit compartment when the frost on the fixed quick freeze shelves reaches 1/4" or more.
- **How?** To start defrosting, unplug the unit, remove the food and place in a portable cooler with ice or other freezer.
- Place a shallow pan or the Divider/Drain Pan (if equipped) beneath the drain outlet. Insert the outside drain plug (see figure 1) (see figure 1). A ½ inch garden hose adaptor can be used to drain the freezer directly into a floor drain (see figure 2). If your model is not equipped with an adapter, one can be purchased at most hardware stores.
- Pull out the drain plug inside the freezer (see figure3). Defrost water will drain out. Check pan occasionally so water does not overflow.
- Re-insert the drain plug after defrosting and cleaning is complete. Set the desired temperature and plug the freezer back in.



Do not use boiling water because it may damage the plastic parts. NEVER use a sharp or metallic instrument to remove frost as it may damage the cooling system and will void the warranty.



Care and Maintenance

Cleaning Your Unit

- After defrosting, gently wash & wipe the interior with a mild detergent in warm water
- Wash & Wipe the freezer basket and door railings with a mild detergent
- The outside of the unit should be cleaned with mild detergent and warm water.

Power Failure

Most power failures are corrected within a few hours and should not affect the temperature of your unit if you minimize the number of times the door is opened. If the power is going to be off for a longer period of time, you need to take the proper steps to protect your food.

Energy Saving Tips

- The unit should be located in the coolest area of the room, away from heat producing appliances or heating ducts, and out of the direct sunlight.
- Do not use outdoors or on wet surfaces. Use only as described in this manual.
- Use only manufacturer's recommended attachments.
- Let hot foods cool to room temperature before placing in the unit.
- Overloading the unit forces the compressor to run longer.
- Foods that freeze too slowly may lose quality, or spoil.
- Be sure to wrap foods properly, and wipe containers dry before placing them in the freezer. This cuts down on frost build-up.

Important Warning

- ⚠ Keep ventilation openings, in the appliance enclosure or in the built-in structure, clear of obstruction.
- ⚠ Do not use mechanical devices or other means to accelerate the defrosting process, other than those recommended by the manufacturer.
- ⚠ Do not change or damage the refrigerant circuit.
- ⚠ Do not store explosive substances such as aerosol cans with a flammable propellant in this appliance.
- ⚠ During transportation and installation of the appliance, be certain that none of the components of the refrigerant circuit become damaged.
- ⚠ It is dangerous to alter the specifications or modify this product in any way. Any damage to the cord may cause a short circuit, fire and/or electric shock.
- ⚠ This appliance is intended to be used in residential household, office or light commercial applications such as Hotels and College Dorms.
- ⚠ All electrical components (plug, power cord, compressor and etc.) must be replaced by a certified service agent or qualified service personnel.
- ⚠ The refrigerant contained within the compressor of the appliance is isobutene (R600a) which is environmentally friendly but flammable.
- ⚠ Make sure that the power cord is not crushed or damaged at the back of the appliance. A crushed or damaged power cord may overheat and cause a fire.
- ⚠ Power cord must not be lengthened.
- ⚠ Make sure that you can come to the power cord of the appliance Do not pull the mains cable.
- ⚠ If the electrical outlet is loose, do not insert the power plug. There is a risk of electric shock or fire. You must not operate the appliance without the lamp.
- ⚠ This appliance is heavy.. Care should be taken when moving it.
- ⚠ Do not remove nor touch items from the freezer compartment if your hands are damp/wet, as this could cause skin abrasions or frost/freezer burns.
- ⚠ Avoid prolonged exposure of the appliance to direct sunlight.

 Locate the refrigerator away from direct sunlight and sources of heat (stove, heater, radiator, etc.). Direct sunlight may affect the acrylic coating and heat sources may increase electrical consumption. Do not use where the room temperature is below -15°C , or in high heat/humidity locations. **This freezer is not designed or approved for outdoor use.**

Troubleshooting

You can solve many common refrigerator problems easily, saving you the cost of a possible service call. Try the suggestions below to see if you can solve the problem before calling for service.

<i>Problem</i>	<i>Possible Causes</i>
The freezer does not operate.	<ul style="list-style-type: none"> •The power cord is unplugged. •The circuit breaker is tripped/fuse blown. •Is the green LED Power ON light illuminated - no plugged in?
The compressor turns on and off	<ul style="list-style-type: none"> •The room temperature is warmer than normal •The door is left open or is frequently opened. •The refrigerator does not have the correct clearances. •The refrigerator has recently been disconnected for a period of time.
The freezer seems to make too much noise	<ul style="list-style-type: none"> •The rattling noise may come from the flow of the refrigerant, which is normal. •As each cycle ends, you may hear gurgling sounds caused by the flow of refrigerant in your unit. •Contraction and expansion of the inside walls may cause popping and crackling noises. •The unit is not level.
Vibrating or rattling. (slight vibration is normal)	<ul style="list-style-type: none"> •Levelling legs need adjusting. •Refrigerator is placed on an uneven or weak surface. •The refrigerator is touching the wall. Re-level the refrigerator and move it away from the wall.
Temperature of external refrigerator surface is warm.	<ul style="list-style-type: none"> •The exterior refrigerator walls can be as much as 30°F warmer than room temperature. •This is normal while the compressor works to transfer heat from inside the refrigerator cabinet.
Moisture collects inside the refrigerator.	<ul style="list-style-type: none"> •The door is left open or is frequently opened.
The door will not close properly.	<ul style="list-style-type: none"> •The refrigerator is not on a level surface. •The gasket is dirty. •A storage basket is out of position.

For any questions or concerns, please contact us at customerservice@stirlingmarathon.com or visit us at www.stirlingmarathon.com



2 Years Limited Warranty

When operated and maintained according to the instructions in the Use & Care Guide, MARATHON a registered trademark of Stirling Marathon Limited agrees to repair or replace this product for 2 years from the date of original purchase and/or agrees to pay for parts and service/labour required to correct defects in materials or workmanship. Any Service must be approved and provided by an Authorized Stirling Marathon Service provider. YOUR EXCLUSIVE REMEDY UNDER THIS LIMITED WARRANTY SHALL BE PRODUCT REPAIR OR REPLACEMENT AT THE SOLE DISCRETION OF STIRLING MARATHON LIMITED AS PROVIDED HEREIN. This limited warranty is valid only in Canada and the Continental United States with proof of original purchase and confirmed warranty registration.

TERMS OF WARRANTY BY PRODUCT	Capacity/Type	Warranty Type
Refrigeration & Freezer	Less than 6 cu.ft	Carry-In
Refrigeration & Freezer	Greater than 6 cu.ft.	In-Home
Electric & Gas Ranges	All Sizes	In-Home

How to Obtain Service

Carry-In: The original purchaser must deliver or ship the defective product to an authorized Stirling Marathon Service present a copy of the original bill of sale or Warranty Registration Confirmation.

In-Home: Contact Authorized Service Center and provide a copy of the Original bill of sale or Warranty Registration Card. If you are in a remote area or the closest Authorized Service Center is further than 100 km (60 miles), you will be required to deliver the appliance to the closest Service Center at your expense.

Stirling Marathon is not responsible or liable for any spoilage or damage to food or other contents of this appliance, whether due to any defect of the appliance, or its use, whether proper or improper.

Items Excluded from Warranty

- Damages due to shipping or improper installation.
- Damages due to misuse or abuse.
- Content losses due to failure of the unit.
- Commercial or Rental Use Limited to 90 days Parts & Labour.
- Plastic parts such as door bins, panels, door shelves, racks, light bulbs, etc.
- Punctures to the evaporator system due to improper defrosting of the unit.
- Service or Repair by a unauthorized service technicians.
- Service calls that do not involve defects in material and workmanship such as instruction on the proper use of the product, door reversal or improper installation.
- Replacement or resetting of house fuses or circuit breakers.
- Delivery costs incurred as the result of a unit that fails.
- Expenses for travel and transportation for product service if your appliance is located in a remote area where service by an unauthorized service technician is not available.
- The removal and reinstallation of your appliance if it is not installed correctly or is in a inaccessible location, as per the published installation instructions.
- Liability under this warranty is limited to repair, replacement or refund. If a replacement unit is not available or the unit cannot be repaired, liability is limited to the actual.
- Purchase price paid by the consumer.
- This warranty applies only to the original purchaser and does not extend to any subsequent owner(s) and is non-transferable.
- No warranty or insurance herein contained or set out shall apply when damage or repair is caused by any of the following: accident, alteration, abuse or misuse of the appliance such as inadequate air circulation in the room or abnormal operating conditions (extremely high or low room temperature).
- Use for commercial or industrial purposes (i.e. If the appliance is not installed in a domestic residence). Fire, water damage, theft, war, riot, hostility, acts of God such as hurricanes, floods etc.
- Service calls resulting in customer education.
- Improper installation (ie. Building-in of a free-standing appliance or using an appliance outdoors that is not approved for outdoor application).

For Service or Assistance please contact us at:
warranty@stirlingmarathon.com or visit us at www.stirlingmarathon.com.