



# Deluxe 4.4 cu.ft. Compact All Refrigerator



## MAR46W | MAR46BLS

### **Congratulations on the purchase of your new Marathon Refrigerator!**

To activate your Warranty, please register your appliance at [www.stirlingmarathon.com](http://www.stirlingmarathon.com) or by completing and mailing the enclosed Warranty Registration Card. We are confident you will have years of hassle-free enjoyment and ask that you please retain the Use & Care Guide for future reference and your safety.

Before installing please, read your Use & Care Guide carefully and pay special attention to the Safety & Warning information outlined in the following pages.

***For immediate assistance: 1-844-309-9777***  
***[www.stirlingmarathon.com](http://www.stirlingmarathon.com)***



MAR46W | MAR46BLS

## Important Safety Instructions

### WARNING

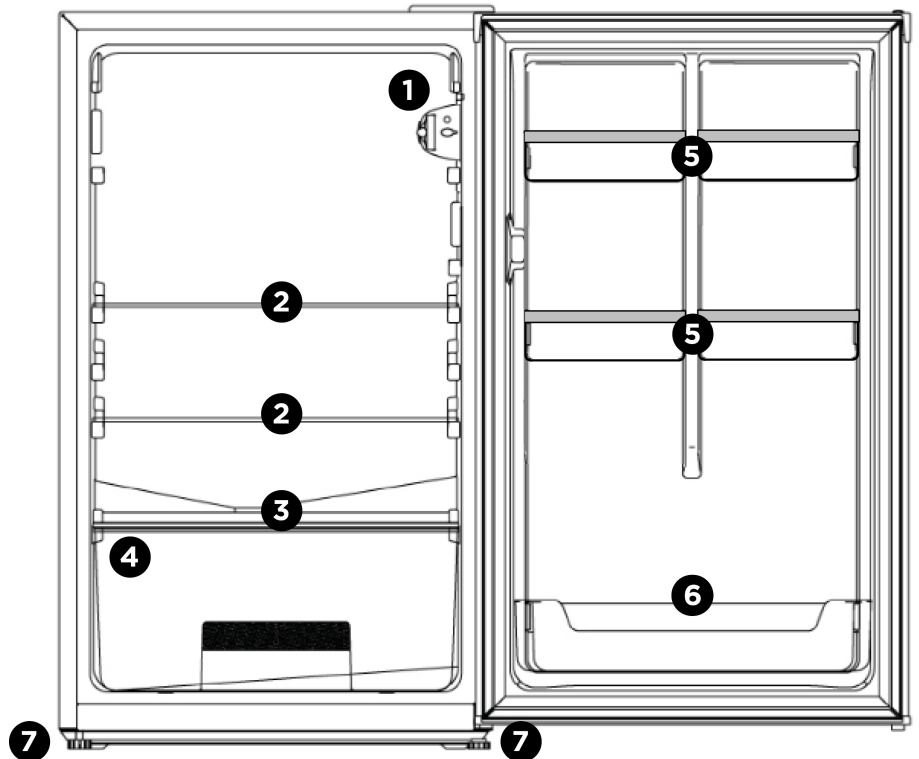
**To reduce the risk of fire, electrical shock, or injury follow these basic precautions when using your appliance.**

1. Keep ventilation openings with of the appliance enclosure or built-in structure, clear of obstruction.
2. Do not use mechanical devices or other means to accelerate the defrosting process, other than those recommended by the manufacturer.
3. Do not use electrical appliances inside the appliance
4. **DANGER:** Never allow children to play with, operate, or crawl inside the appliance. Risk of child entrapment.
5. **GROUNDING INSTRUCTIONS** This appliance must be grounded. In the event of an electrical short circuit, grounding reduces the risk of electrical shock by providing an escape wire for the electrical current. This appliance is equipped with a cord having a grounding wire with a grounding plug. The plug must be plugged into an outlet that is properly installed and grounded.
6. **DO NOT USE AN EXTENSION CORD**
7. Use an exclusive 115V wall outlet. Do not connect your refrigerator to extension cords or together with any other appliance in the same wall outlet. Do not splice the cord.
8. Always unplug before any maintenance or service on the appliance.
9. If a component is damaged, it must be replaced by the manufacturer, its service agent or similar qualified persons in order to avoid a hazard.
10. Follow local regulations regarding disposal of the appliance due to flammable refrigerant and blowing gas. All refrigeration products contain refrigerants, which under the guidelines of federal law must be removed before disposal. It is the consumer's responsibility to comply with federal and local regulations when disposing of this product.
11. This appliance is intended to be used in household and similar environment such as:
  - a) Staff kitchen, workshop, office and other working environments;
  - b) Farmhouses and by clients in hotels, motels and other residential type environments;
  - c) Bed and breakfast type environments;
  - d) Catering and similar non-retail applications.
12. Do not store or use gasoline or any inflammable liquors and liquids inside or in the vicinity of the refrigerator.
13. Do not use an extension cord with this appliance. If the power cord is too short, have a qualified electrician install an outlet near the appliance. The use of an extension can negatively affect the appliance's performance



## Overview

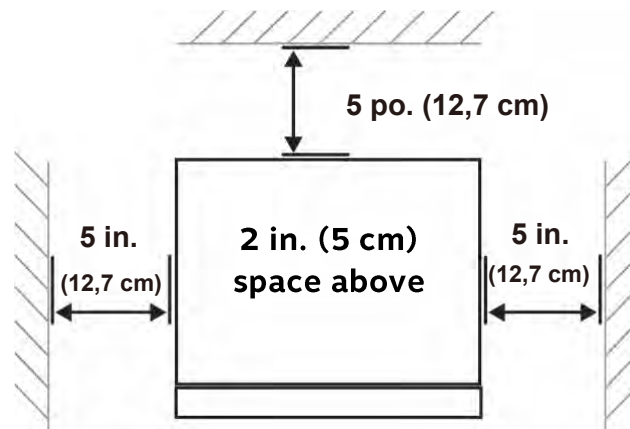
1. Thermostat
2. Tempered Glass Shelves
3. Crisper cover
4. Fruit and vegetable crisper
5. Adjustable Door Bin
6. Full Width Gallon Storage
7. Levelling Leg



# Installation

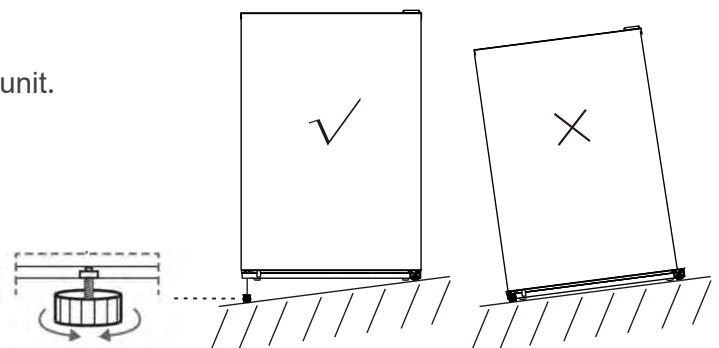
## Installing your refrigerator

- This appliance is designed to be free-standing only, and should not be recessed or built-in.
- **This unit is not designed for use in a garage or any other outside installation**
- Ambient temperature below 50°F (10°C) or above 85°F (29.4°C) will hinder the performance of this appliance.
- Avoid locating the refrigerator in high humidity areas.
- Locate the refrigerator away from direct sunlight and sources of heat (stove, heater, radiator, etc.).
- Direct sunlight may affect the acrylic coating and heat sources may increase electrical consumption.
- Select a location with enough space for the refrigerator doors to open easily;
- Select a location with level (or nearly level) flooring;
- Allow sufficient space to install the refrigerator on a flat surface;
- Allow clearance to the right, left, back and top when installing. This will help reduce power consumption and keep your energy bills lower.



## Levelling the Refrigerator

To do this adjust the two levelling feet at front of the unit.  
If the unit is not level, the doors and magnetic seal alignments will not be covered properly

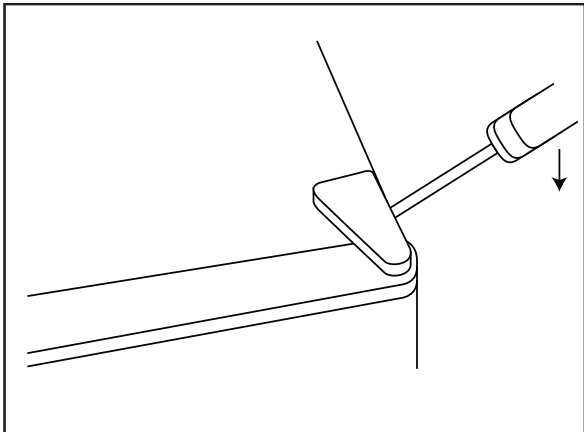


# How to Reverse the Door Swing

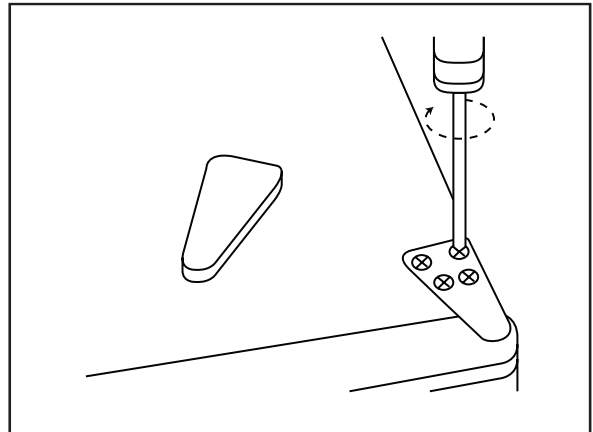
**Tools required: Philips screwdriver, Flat head screwdrivers, wrench.**

- Ensure the unit is unplugged and empty
- To take the door off, tilt the unit backwards and rest the unit on something solid so that it will not slip during the door reversing process.
- All parts removed must be saved to do re-installation of the door.
- After completing the door reversal allow the unit to stand for 4 hours, this will allow the coolant system to settle.
- It is best if 2 people assist in changing the door swing.

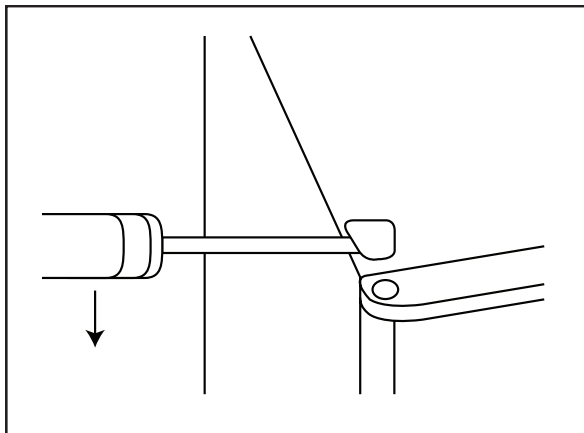
1. Carefully remove the top hinge cover with a Flat screwdriver



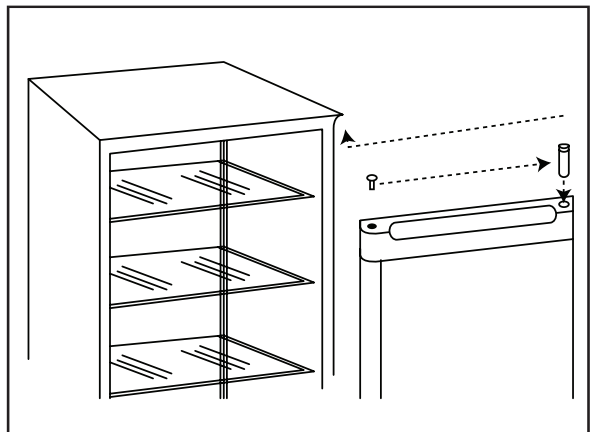
2. Unscrew the top hinge with a Philips screwdriver.



3. Remove the hole cover with a flat screwdriver



4. Move the "plug" cover from the left side to the right side then lift the upper door and place it on a padded surface to prevent it from scratching.



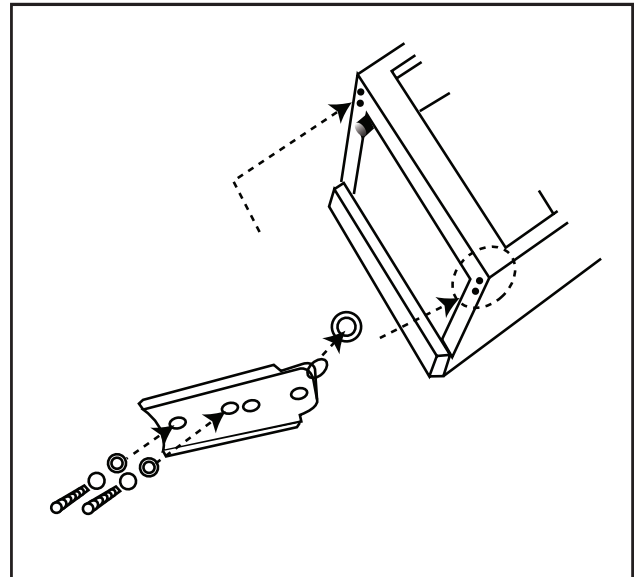
# How to Reverse the Door Swing

5. Lay the refrigerator down on its back onto in a soft pad. Unscrew the bottom hinge and levelling foot.

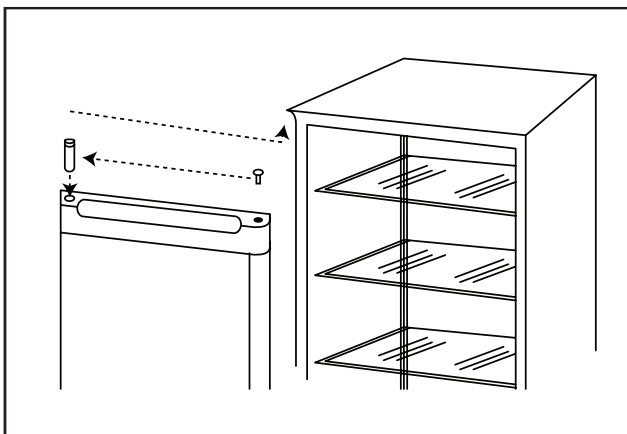
6. Unscrew and remove the bottom hinge pin, turn the bracket over (insert) and re-install to the same location.

7. Install the hinge and leg from the right side to the left side with all original parts

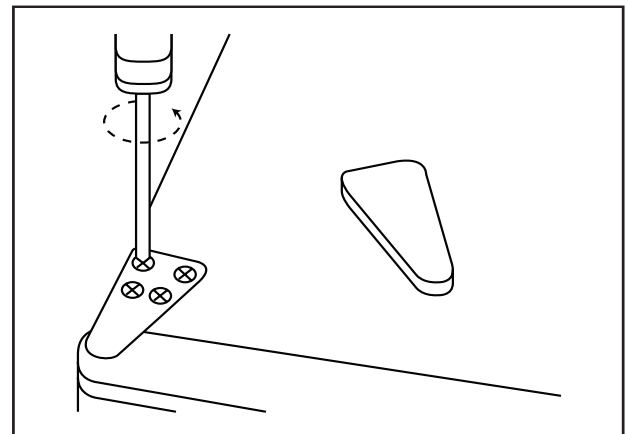
8. Make sure the leveling leg from the left side gets transferred to the right side as well and adjust accordingly.



9. Stand up the refrigerator upright and put the door on the bottom hinge. Make sure the bottom hinge core is inserted in the door hole. Then move the hinge hole "plug" of bottom door left side to right side.



10. Install upper hinge to connect the top portion of door to the unit. Clap in the hinge cover and hold cover on top of the unit.



## Care and Cleaning

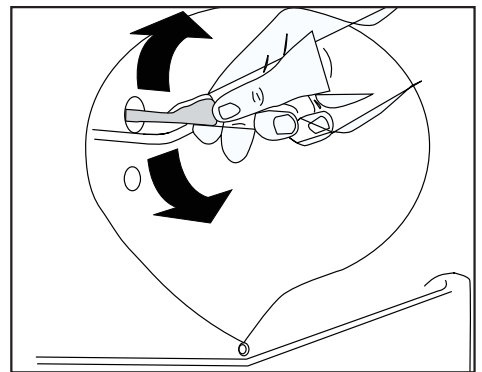
- Keep ventilation openings on appliance clear of obstruction.
- Before maintaining or cleaning, turn off the refrigerator and disconnect the plug from the power outlet.
- Do not clean the appliance with any abrasive cleaners.
- Clean the appliance and the interior accessories with a cloth and lukewarm water. After cleaning wipe with fresh water and rub dry
- Do not use sharp objects to remove frost from the appliance.
- Regularly examine the defrost drain of the refrigerator for defrosted water. If necessary, clean the drain line. If the drain is blocked, water will overflow into the bottom of the refrigerator and may cause water damage on the floor which is not covered under this manufacturer's warranty.

### Defrosting the refrigerator

Your refrigerator compartment features "Automatic Defrost" and does not require manual defrosting

### Cleaning the Defrost Drain

To avoid defrost water overflowing into the fridge and possibly onto your floor, periodically clean the drain hole at back of refrigerator compartment. (shown in right picture)



## Use and Care

### Temperature Settings

Once your refrigerator is plugged in, the thermostat dial has 8 settings: "0" is OFF and "7" is the coldest setting. The setting of "3 - 4" should be appropriate for home or office use.

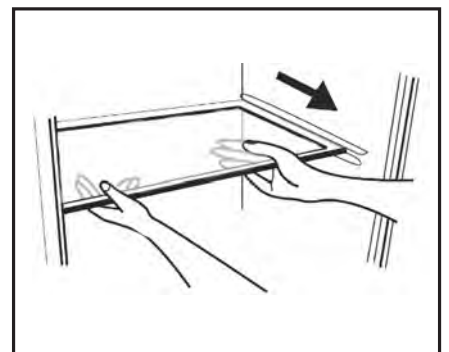
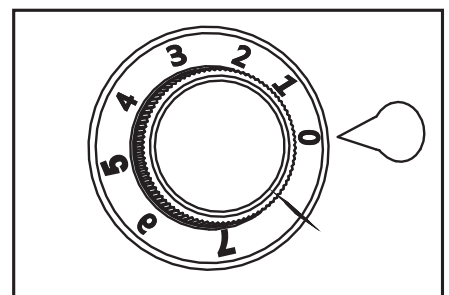
### Refrigerator interior shelves

To remove or replace a full-width slide-out shelf

1. Gently tilt the shelf up and slide forward until the shelf has been completely removed.
2. To replace the shelf, gently slide the shelf back.


### Energy Savings


- Avoid putting hot food in the refrigerator.
- Avoid packing too much in the refrigerator which limits air circulation.
- Avoiding having items pushed back against the rear of the refrigerator as they restrict cooling and may get wet when defrosting.
- During an electrical failure, avoid opening the refrigerator door.
- Avoid opening and closing the door frequently.
- Avoid leaving the door open for an extended period.
- Avoid setting the thermostat on the coldest setting.





## Important Warning

 This refrigerator is engineered with an "Automatic Cycle Defrost" system which keeps food fresher and uses less energy. The back wall of the refrigerator may appear to be "frozen" or "sweating" during the refrigerating and defrosting cycle - **This normal and that situation doesn't represent a malfunction of your appliance. Please do not push items directly against the back wall.** More information about Automatic Defrost is available at [www.stirlingmarathon.com](http://www.stirlingmarathon.com)

 Locate the refrigerator away from direct sunlight and sources of heat (stove, heater, radiator, etc.). Direct sunlight may affect the acrylic coating and heat sources may increase electrical consumption. Ambient temperature below 50°F (10°C) or above 85°F (29.4°C) will hinder the performance of this appliance. **This unit is not designed for use in a garage or any other outside installation**

- △ Keep ventilation openings, in the appliance enclosure or in the built-in structure, clear of obstruction.
- △ Do not use mechanical devices or other means to accelerate the defrosting process, other than those recommended by the manufacturer.
- △ Do not change or damage the refrigerant circuit.
- △ Do not store explosive substances such as aerosol cans with a flammable propellant in this appliance. During transportation and installation of the appliance, be certain that none of the components of the refrigerant circuit become damaged.
- △ It is dangerous to alter the specifications or modify this product in any way. Any damage to the cord may cause a short circuit, fire and/or electric shock.
- △ This appliance is intended to be used in residential household, office or light commercial applications such as Hotels and College Dorms.
- △ All electrical components (plug, power cord, compressor and, etc.) must be replaced by a certified service agent or qualified service personnel.
- △ The refrigerant contained within the compressor of the appliance is isobutene (R600a) which is environmentally friendly but flammable.
- △ Make sure that the power cord is not crushed or damaged at the back of the appliance. A crushed or damaged power cord may overheat and cause a fire.
- △ The power cord must not be lengthened.
- △ Make sure that you can come to the power cord of the appliance Do not pull the mains cable.
- △ If the electrical outlet is loose, do not insert the power plug. There is a risk of electric shock or fire. You must not operate the appliance without the lamp.
- △ This appliance is heavy. Care should be taken when moving it.
- △ Do not remove nor touch items from the freezer compartment if your hands are damp/wet, as this could cause skin abrasions or frost/freezer burns.
- △ Avoid prolonged exposure of the appliance to direct sunlight.



# Troubleshooting

You can solve many common refrigerator problems easily, saving you the cost of a possible service call. Try the suggestions below to see if you can solve the problem before calling for service.

<b>Problem</b>	<b>Possible Causes</b>
<b>The refrigerator does not operate.</b>	<ul style="list-style-type: none"> <li>•The power cord is unplugged.</li> <li>•The circuit breaker is tripped/fuse blown.</li> </ul>
<b>The compressor turns on and off</b>	<ul style="list-style-type: none"> <li>•The room temperature is warmer than normal</li> <li>•A large amount of food has been added to the refrigerator.</li> <li>•The door is left open or is frequently opened.</li> <li>•The temperature control is not set correctly</li> <li>•The door is not closed completely.</li> <li>•The door gasket does not seal properly.</li> <li>•The refrigerator does not have the correct clearances.</li> <li>•The refrigerator has recently been disconnected for a period of time.</li> </ul>
<b>The temperature inside the refrigerator is too warm.</b>	<ul style="list-style-type: none"> <li>•The temperature control is not set correctly.</li> <li>•The door is left open or is not set correctly.</li> <li>•The door gasket does not seal properly.</li> <li>•A large amount of warm or hot food was stored recently. Wait for the refrigerator to reach its selected temperature.</li> <li>•The refrigerator has recently been disconnected for a for a while</li> </ul>
<b>Vibrating or rattling. (slight vibration is normal)</b>	<ul style="list-style-type: none"> <li>•Levelling legs need adjusting.</li> <li>•Refrigerator is placed on an uneven or weak surface.</li> <li>•The refrigerator is touching the wall. Re-level the refrigerator and move it away from the wall.</li> </ul>
<b>The temperature of the external of the refrigerator's surface is warm</b>	<ul style="list-style-type: none"> <li>•The exterior refrigerator walls can be as much as 30°F warmer than room temperature.</li> <li>•This is normal while the compressor works to transfer heat from inside the refrigerator cabinet.</li> </ul>
<b>Moisture collects inside the refrigerator.</b>	<ul style="list-style-type: none"> <li>•The door is slightly open or is frequently opened.</li> <li>•The door is not sealed properly.</li> </ul>
<b>Moisture forms on the outside of refrigerator.</b>	<ul style="list-style-type: none"> <li>•Is normal in hot and humid weather. Air carries moisture into the refrigerator when doors are opened</li> </ul>
<b>Bubbling or gurgling sounds. (like boiling water)</b>	<ul style="list-style-type: none"> <li>•This is the normal sound of refrigerant (used to cool the refrigerator) circulating throughout the system</li> </ul>
<b>Popping or crackling sounds when the compressor comes on.</b>	<ul style="list-style-type: none"> <li>•This is normal. Metal parts undergo expansion and contraction. The sound will level off or disappear as the refrigerator runs.</li> </ul>
<b>The door will not close properly.</b>	<ul style="list-style-type: none"> <li>•The refrigerator is not on a level surface.</li> <li>•The gasket is dirty.</li> <li>•A storage basket is out of position.</li> </ul>

For any questions or concerns, please contact us at [customerservice@stirlingmarathon.com](mailto:customerservice@stirlingmarathon.com) or visit us at [www.stirlingmarathon.com](http://www.stirlingmarathon.com)



# 2 Years Limited Warranty

When operated and maintained according to the instructions in the Use & Care Guide, MARATHON a registered trademark of Stirling Marathon Limited agrees to repair or replace this product for 2 years from the date of original purchase and/or agrees to pay for parts and service/labour required to correct defects in materials or workmanship. Any Service must be approved and provided by an Authorized Stirling Marathon Service provider. YOUR EXCLUSIVE REMEDY UNDER THIS LIMITED WARRANTY SHALL BE PRODUCT REPAIR OR REPLACEMENT AT THE SOLE DISCRETION OF STIRLING MARATHON LIMITED AS PROVIDED HEREIN. This limited warranty is valid only in Canada and the Continental United States with proof of original purchase and confirmed warranty registration.

TERMS OF WARRANTY BY PRODUCT	Capacity/Type	Warranty Type
Refrigeration & Freezer	Less than 6 cu.ft	Carry-In
Refrigeration & Freezer	Greater than 6 cu.ft.	In-Home
Electric & Gas Ranges	All Sizes	In-Home

## How to Obtain Service

**Carry-In:** The original purchaser must deliver or ship the defective product to an authorized Stirling Marathon Service present a copy of the original bill of sale or Warranty Registration Confirmation.

**In-Home:** Contact Authorized Service Center and provide a copy of the Original bill of sale or Warranty Registration Card. If you are in a remote area or the closest Authorized Service Center is further than 100 km (60 miles), you will be required to deliver the appliance to the closest Service Center at your expense.

Stirling Marathon is not responsible or liable for any spoilage or damage to food or other contents of this appliance, whether due to any defect of the appliance, or its use, whether proper or improper.

## Items Excluded from Warranty

- Damages due to shipping or improper installation.
- Damages due to misuse or abuse.
- Content losses due to failure of the unit.
- Commercial or Rental Use Limited to 90 days Parts & Labour.
- Plastic parts such as door bins, panels, door shelves, racks, light bulbs, etc.
- Punctures to the evaporator system due to improper defrosting of the unit.
- Service or Repair by a unauthorized service technicians.
- Service calls that do not involve defects in material and workmanship such as instruction on the proper use of the product, door reversal or improper installation.
- Replacement or resetting of house fuses or circuit breakers.
- Delivery costs incurred as the result of a unit that fails.
- Expenses for travel and transportation for product service if your appliance is located in a remote area where service by an unauthorized service technician is not available.
- The removal and reinstallation of your appliance if it is not installed correctly or is in a inaccessible location, as per the published installation instructions.
- Liability under this warranty is limited to repair, replacement or refund. If a replacement unit is not available or the unit cannot be repaired, liability is limited to the actual.
- Purchase price paid by the consumer.
- This warranty applies only to the original purchaser and does not extend to any subsequent owner(s) and is non-transferable.
- No warranty or insurance herein contained or set out shall apply when damage or repair is caused by any of the following: accident, alteration, abuse or misuse of the appliance such as inadequate air circulation in the room or abnormal operating conditions (extremely high or low room temperature).
- Use for commercial or industrial purposes (i.e. If the appliance is not installed in a domestic residence). Fire, water damage, theft, war, riot, hostility, acts of God such as hurricanes, floods etc.
- Service calls resulting in customer education.
- Improper installation (ie. Building-in of a free-standing appliance or using an appliance outdoors that is not approved for outdoor application).