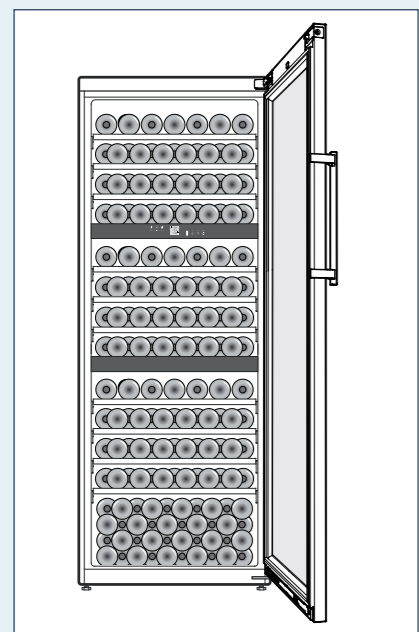


## Diagrams

◀28"▶

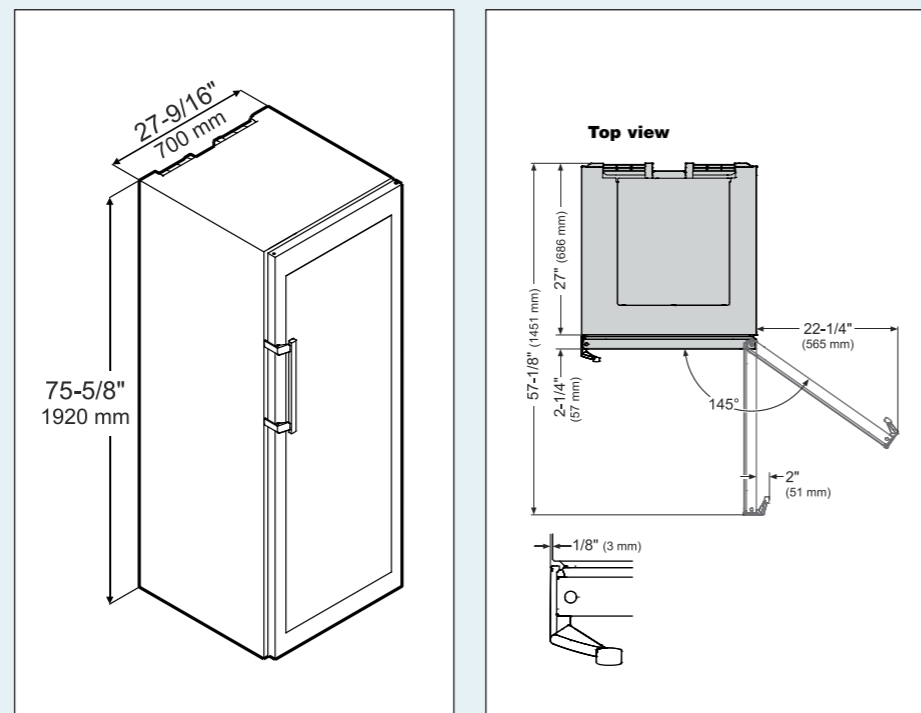
### Freestanding Wine Cabinet



Wine cooler with three temperature zones.

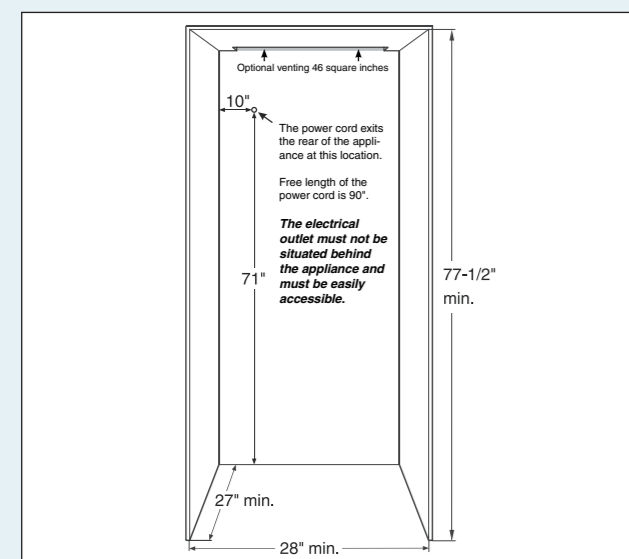
Every temperature zone can be adjusted separately and independent from the other zones.

### Appliance Dimensions



The handle protrudes approx. 1/8" to the left side wall of the appliance.

### Cabinet Opening Dimensions



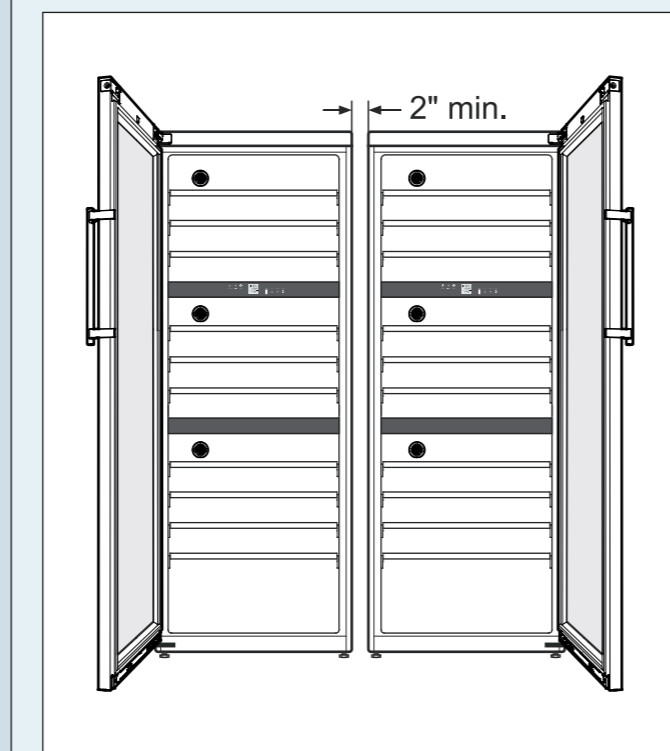
The given cabinet opening height dimension includes 2" for ventilation.

If the appliance will be ventilated above the cabinet or in a soffit, the height dimension can be adjusted accordingly.

**IMPORTANT**  
Minimum ventilation opening is 46 sq in !

With a cabinet depth of 27", the front of the appliance housing is flush with the cabinet frame. (see chapter "Appliance Dimensions Top View")

### Side-by-Side



To avoid condensation on the side walls at Side-by-Side applications a minimum distance of 2" between the appliances is required.



# Liebherr WS 17800

## Wine Cabinet



# LIEBHERR

Quality, Design and Innovation

## Wine Cabinet

A Liebherr **WS 17800** satisfies your thirst for the smartest, most elegant ways to store wine in addition to adding sophisticated flair to entertainment areas while providing ideal conditions for wine to mature successfully – Constant air quality, temperature and humidity control as well as quiet, vibration free storage. Specially developed, quiet compressors ensure that the unit has the lowest vibration possible. Liebherr uses an insulated glass door with UV protection and an activated charcoal filter to protect the wine from busy kitchen influences, such as light and odor. An innovative MagicEye touch control system makes temperature continuously adjustable from 41°F to 68°F (+5°C to +20°C) depending on owner preferences and the contents of the unit. This wide range makes the control suitable for all reds, whites and champagne. Wine units are equipped with an alarm system to alert the homeowner if the door has been left open or the temperature has been compromised. The energy efficient LED ceiling light not only emits virtually no heat, but it is dimmable to cast a cool glow across the room.



◀28"▶

### Wine Cabinet

#### Capacity

Total capacity cu.ft. (l)

Max. No. of Bordeaux btls 0.75 l

**Shipping weight lbs. (kg)**

**Climate rating**

**Sound rating dB(A)**

**Door hinges**

**Product dimensions**

in inches (cm) H/W/D

**Cut out dimensions**

in inches (cm) H/W/D

**Energy supply**

Voltage V/Hz

### WS 17800 Vinidor

Wine

LED

Soft  
System

Telescopic  
Rails

17.7 (505)

178

335.1 (152)

SN-ST

39\*\*

right, reversible

75 5/8"/27 9/16"/29 1/4" (192/70/74.2)

77-1/2"/28"/27" (196.9/71.1/68.9)

115/60

\* Energy Cost will depend on utility rates and use. Estimated energy cost based on a national average electricity cost of 12 cents per kWh.

\*\* Noise output – according to EN 60704-3

## Features

◀28"▶



**German Engineering:** Our superior products offer premium quality, cutting edge design and innovative features that fit your busy lifestyle. Exclusive components and materials, along with the latest production processes, ensure energy efficiency and performance for years to come.



Soft  
System

**SoftSystem:** Unique to Liebherr is our patented SoftSystem, often used in high-end cabinetry, ensures that the door closes gently, even when fully loaded. Plus the door opening angle can be reduced to 90 degrees allowing for more design options within kitchen décor.



LED

**LED Lighting:** The energy efficient LED ceiling light not only emits virtually no heat, but it is dimmable to cast a cool glow to give a pleasing ambient light inside the appliance as well as the room.



Electronic  
Control

**Electronic LCD display:** Intuitive navigation of touch electronic control system enables tailored storage options. The digital temperature display can be viewed via the UV tinted glass door.



**Beech wood Shelving:** Solid beech wood shelves on telescopic rails for easy wine access.



**Presentation Shelf:** The practical shelf of the Vinidor models fulfill both bottle storage and presentation functions. The bottles can be stored horizontally at the rear.



**FreshAir Activated Charcoal Filter:** Liebherr wine cabinets are fitted with easy-to-replace FreshAir activated charcoal filters to ensure clean air. Odors are filtered out and the quality of the wine is protected.



**UV Protection:** In order to minimize the exposure of light which can damage the maturity of a wine, Liebherr wine cabinets are fitted with special UV-resistant insulated glass; simultaneously protecting and presenting your wine.



**Integrated Lock:** A sturdy lock protects your fine wine collection.

