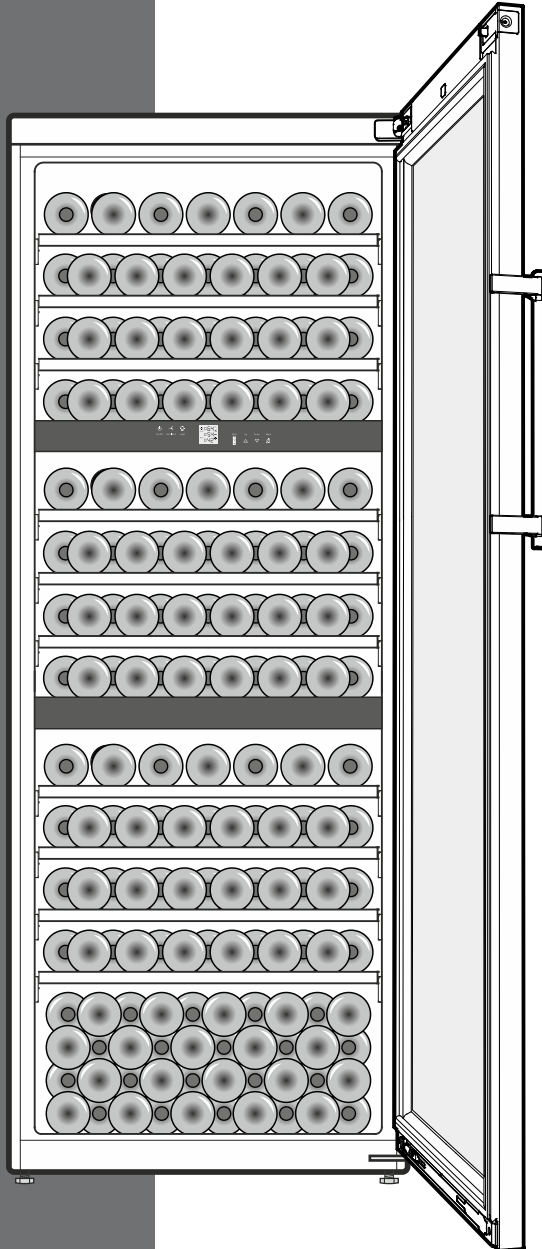


# LIEBHERR

## Use and Care Manual

For Wine Cooler



**WS 17800**  
7082 061-00

## **Thank you for your trust**

Congratulations on your purchase of this wine cooler. In buying this product, which is distinguished by its perfect user-friendliness, impeccable reliability and high quality, you have chosen a top-of-the-line appliance. We wish you a lot of pleasure with your new wine cooler - and a lot of enjoyment from your wines.

The features on your appliance have been designed to ensure maximum convenience - day in, day out.

This appliance has been manufactured with recyclable materials using an environmentally friendly process, so together we're making an active contribution to the preservation of our environment.

Please read the information in the operating instructions carefully to become familiar with all the benefits of your new appliance.

We know you will be pleased with your new appliance.

### **Additional benefits**

- CFC-free
- Energy-optimized refrigerant circuit
- Energy-efficient insulation
- Low energy consumption
- User-friendly electronic controls
- Active function indicators
- Temperature can be controlled within climate rating range regardless of room temperature
- Large capacity
- Variable and practical features
- Audible door open alarm
- Easy to clean
- Door hinges can be changed over

## **The fewer the grapes produced in an area, the better the wine**

Poor, well-drained soils are best for good wines. The properties of the soil influence the vitality of the vine, which in turn affects the quality of the grape. Climate is another factor that is important for wine. Light and air humidity are important for the development of the flavor of the wine.

## **The right environment for your wines**

A vine is an extremely sensitive plant. From the time it is planted to its maturing period and the time the grapes are harvested and the wine is made, it is dependent on three factors: light, air humidity and ambient temperature. This sensitivity continues even after the wine is bottled. To allow the flavor of the wine to fully develop or to preserve the excellent aroma, the wine has to be stored perfectly. Your wine cooler offers the best conditions for this.

# TABLE OF CONTENTS

Keep these operating instructions in a safe place and pass them on to the next owner, where applicable.

<b>Contents</b>	<b>Page</b>
Safety .....	4
Disposal of old appliance.....	4
Electrical safety.....	4
Important safety information .....	5
Safety regulations .....	5
Unpacking.....	6
Safety instructions and warnings.....	6
Disposal of carton.....	6
The wine cooler .....	6
Dimensions .....	6
Features .....	7
Description of appliance .....	7
Setting up.....	7
Operation.....	8
Operating and control elements.....	8
Switching the appliance on and off.....	8
Setting the temperature .....	9
Fan .....	9
Door open alarm .....	9
Temperature alarm.....	9
Setup mode.....	10
Wine cooler compartment .....	12
Interior light .....	12
Air exchange with activated charcoal filter.....	12
Labels .....	12
Presentation shelf .....	13
Safety lock.....	13
Storage diagram .....	14
Defrosting/Cleaning .....	14
Troubleshooting .....	15
Customer service.....	15
Appliance information .....	15
Reversing the door hinges .....	16
Warranty .....	23

## **IMPORTANT**

*All types and models are subject to continuous improvement. The manufacturer reserves the right to make modifications in the shape, equipment and technology.*

# SAFETY

## Please read and follow these instructions

These instructions contain Warning and Caution statements. This information is important for safe and efficient installation and operation.

Always read and follow all Warning and Caution statements!

### DANGER!

Danger indicates a hazard which will cause serious injury or death if precautions are not followed.

### WARNING!

Warning indicates a potentially hazardous situation which, if not avoided, could result in death or serious injury.

### CAUTION!

Caution indicates a potentially hazardous situation which, if not avoided, may result in minor or moderate injury.

#### **IMPORTANT**

*This highlights information that is especially relevant to a problem-free installation and operation.*

Make sure incoming voltage is the same as the appliance rating.

To reduce the risk of fire, electric shock, or personal injury, installation work and electrical wiring must be done by a qualified electrician in accordance with all applicable codes and standards, including fire-rated construction.

## California Proposition 65

This product contains chemicals known to the state of California to cause cancer or reproductive harm.

## Disposal of old Appliance

Be sure to follow your local requirements for disposal of appliances. Discarded appliances can be dangerous.

### DANGER!

**Risk of child entrapment. Before you discard old appliances:**

- Be sure to follow your local requirements for disposal of appliances. Discarded appliances can be dangerous.
- Remove the doors.
- Leave the shelves in place so that children may not easily climb inside.
- Cut off the prongs from the power cable plug and discard them.
- Cut off the power cable from the discarded refrigerator. Discard separately from the refrigerator.

Following these instructions reduces the possibility of causing personal injury, especially to children playing.

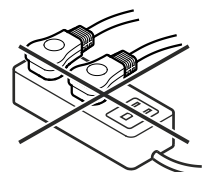
Contact the trash collection agency in your area for additional information.

## Electrical safety

Connect this appliance to a 110-120 VAC, 15 amp circuit that is controlled by a circuit breaker or fuse. This appliance should have its own separate grounded circuit.

The power cord is equipped with a three-prong (grounding) plug for your protection against possible shock hazards. To maintain this protection:

- Do not modify the plug by removing the round grounding prong.
- Do not use a two-prong adapter. Where a two-prong wall receptacle is encountered, contact a qualified electrician and have it replaced with a three-prong receptacle in accordance with all local codes and ordinances.
- Do not use a power cord that is frayed or damaged.
- Do not connect the appliance using an extension cord or power strip.



## Important safety information

Follow the cautions and safety warnings throughout this instruction manual including the following:

- To prevent injury to you or damage to the unit, the appliance should be unpacked and set up by two people.
- If the appliance is damaged on delivery, contact the supplier immediately before connecting to the power source.
- To guarantee safe operation, ensure that appliance is set up and connected as described in these operating instructions.
- Disconnect the appliance from the power source if a fault occurs. Pull out the plug, turn off or remove the fuse.
- When disconnecting the appliance, use the plug. Do not pull on the cable.
- Any repairs and work on the appliance should only be performed by the customer service department. Unauthorized work may be dangerous to the user. Changing the power source cable should only be done by the customer service department.
- Do not store explosives or sprays using combustible propellants such as butane, propane, pentane, etc. in the appliance. Electrical components might cause leaking gas to ignite. You may identify such sprays by the printed contents or a flame symbol.
- Do not use electrical appliances inside the appliance.
- Do not allow children to play with the appliance. Children must not climb, sit or stand on the racks or door.
- To prevent possible injury due to an electrical shock, be sure to disconnect the power cord or turn off the circuit breaker before replacing the interior light or cleaning the appliance.
- To avoid injury or damage to the appliance, do not use steam cleaning equipment to clean the appliance.
- Do not operate the appliance in the presence of explosive fumes.
- In the event of a power outage, minimize opening the door.
- To protect the appliance from possible damage, allow to stand 1/2 to 1 hour in place before turning the electricity on. This allows the refrigerant and system lubrication to reach equilibrium.

## Safety regulations

The appliance is designed to cool and store wine and beverages. It is designed as a household appliance.

The appliance is set to operate within specific ambient temperature limits according to its climate rating. These temperature limits should not be exceeded. The correct climate rating for your appliance is indicated on the model plate. This is explained as follows:

Climate Rating	Set for Ambient Temperatures of
SN	50°F to 90°F (10°C to 32°C)
N	61°F to 90°F (16°C to 32°C)
ST	61°F to 100°F (16°C to 38°C)
SN-ST	50°F to 100°F (10°C to 38°C)
SN-T	50°F to 109°F (10°C to 43°C)
T	61°F to 109°F (16°C to 43°C)

- The refrigerant circuit has been tested for leaks.
- The appliance complies with current safety regulations UL250 and CSA C22.2 #63.

We recommend cleaning the appliance before turning it on for the first time. See **Cleaning**. Turn on the appliance several hours before loading it.

### **WARNING!**

**Do not allow children to play with the appliance. Children must not climb, sit or stand on the racks or door.**

**Failure to follow these instructions may result in death or serious injury.**

# UNPACKING

## Safety instructions and warnings



### CAUTION!

- To avoid risk of personal injury or property damage, have two people unpack and move this appliance into place.
- Protect the finished floor surface before you uncrate the unit.

Avoid placing the appliance in direct sunlight or near the stove, range top, radiators and similar heat sources. Do not place microwave ovens, toaster ovens or other heat-emitting appliances on top of this unit.

The floor under the appliance should be flat and level.

Keep the appliance out of the weather. The ventilation grilles should not be obstructed. Always ensure there is good ventilation all around the appliance.

As soon as you uncrate the unit:

- Examine the unit and packaging for shipping damage. Contact the carrier immediately if you suspect there is any damage.
- Note the type (model number), service number, serial number, date of purchase and where purchased on the spaces provided in the back of this manual.

## Disposal of carton

The packaging is designed to protect the appliance and individual components during moving and is made of recyclable materials.

- Corrugated board/board
- Molded polystyrene (foamed, CFC-free polystyrene)
- Polythene bags and sheets
- Polypropylene straps



### WARNING!

**Keep packaging materials away from children. Polythene sheets and bags can cause suffocation!**

- Please take the packaging material to your local recycling facility.

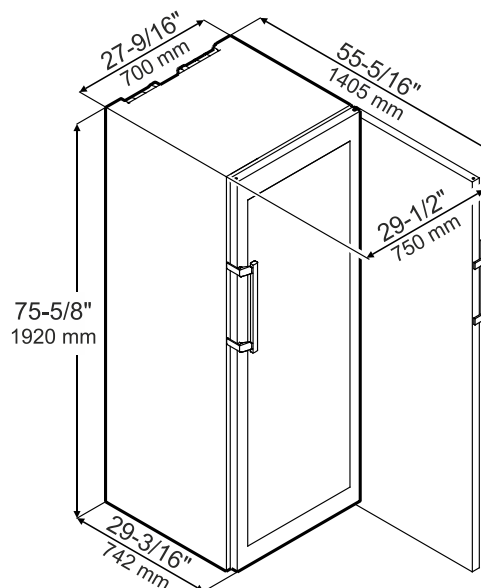
## The wine cooler

Wines only develop their full flavor and aroma when they are at the right temperature for drinking.

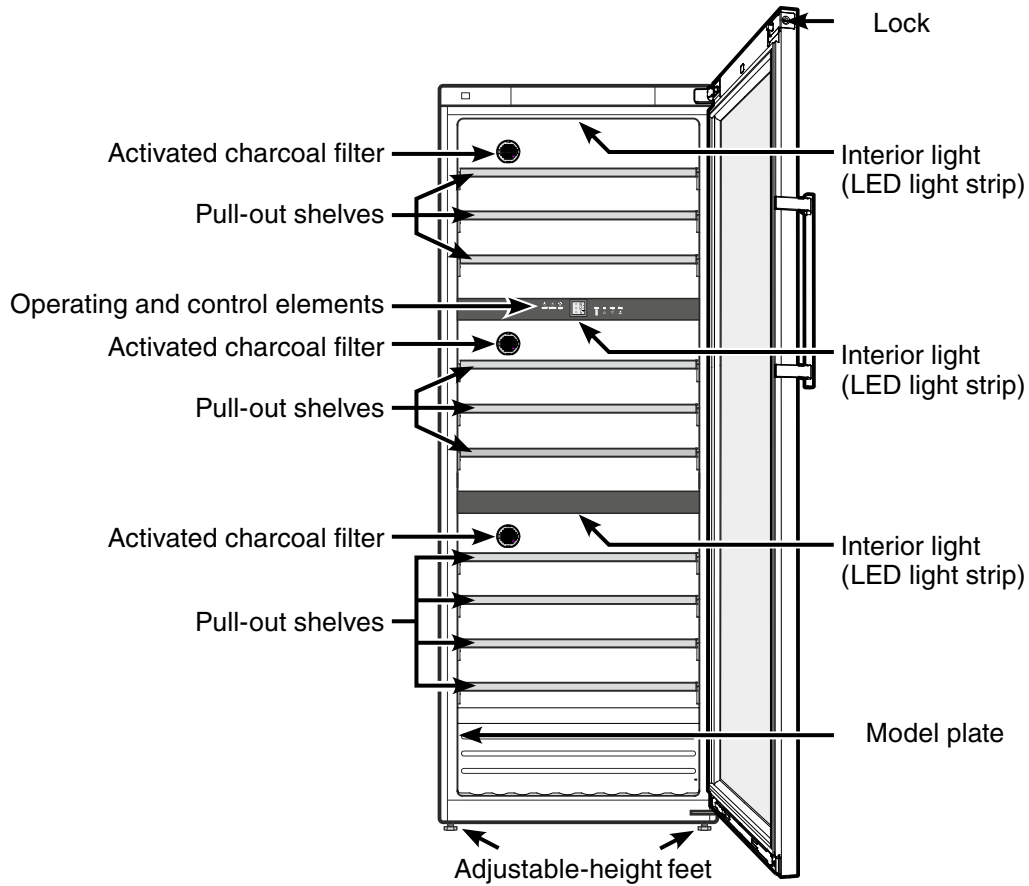
In your wine cooler, wines can be brought slowly and evenly to the ideal drinking temperature.

Red wines and white wines can be stored at the same time at the optimal drinking temperature in three separately adjustable temperature zones.

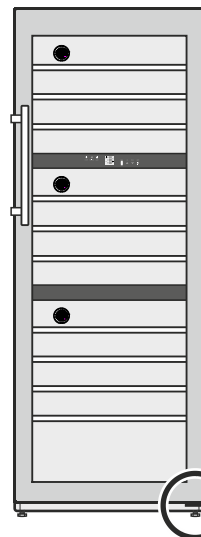
## Dimensions



## Description of the appliance

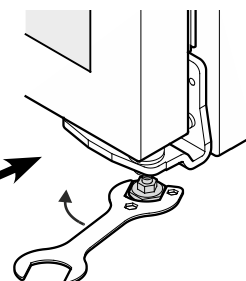


## Setting up



Place the appliance in its final position at the place of installation.


Extend the adjustable foot at the bottom hinge support bracket until it rests on the floor and then make a further 90° turn.

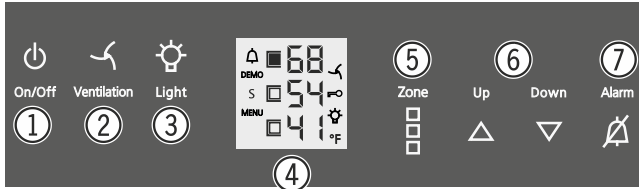


# OPERATION

## Operating and control elements

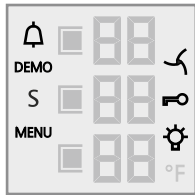
The electronic control panel uses **touch capacitance technology**. Any function can be activated by touching the corresponding icon.





The exact contact point is between the symbol and its label  On/Off



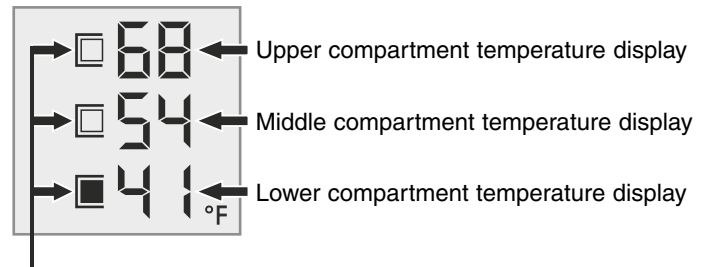
- ① On/Off button (switching the appliance on and off)
- ② Fan switch
- ③ Interior light On/Off button
- ④ Display
- ⑤ Button to activate a compartment to adjust its temperature
- ⑥ Temperature setting buttons
- ⑦ Audible warning On/Off button

## Symbols in the display



-  Alarm (symbol flashes if the temperature inside the appliance is too high or too low)
- DEMO Demo mode is activated
- S Sabbath mode is activated
- MENU Setup mode is activated (activating the child lock and adjusting the display brightness)
-  The interior fan runs constantly
-  Child lock is activated
-  The interior light is switched on constantly

## Temperature display



These symbols indicate which compartment is active so that its temperature can be adjusted.

## Demo mode

Demo mode can be activated for presenting the appliance at exhibitions or in salesrooms as though in normal operating mode. **DEMO** appears in the display.


**When in this mode, the cooling circuit is switched off!**

If this mode is activated by accident, it can be deactivated as detailed below.

Press  +  for 5 seconds.

Display = 

 Display = 

 The refrigeration unit switches on. The temperature display flashes.

The appliance is now in normal operating mode.

## Switching the appliance on and off

### Switching the appliance on

Press the **On/Off** button until the temperature display lights up.



On/Off

### Switching the appliance off


Keep the **On/Off** button pressed for approx. 3 seconds so that the temperature display goes out.

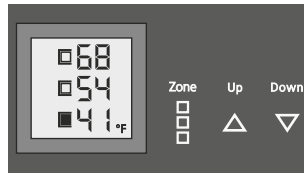


## Setting the temperature

The temperature of all compartments can be set separately.

Use the **Zone** button to select the compartment whose temperature you wish to adjust.

The  symbol indicates which compartment is active.



### Reducing the temperature

Press the **Down** button.

### Increasing the temperature

Press the **Up** button.

- When pressing one of the buttons for the first time, the display will start to flash.
- Pressing this button again enables you to change the temperature setting.
- The electronic control system will switch over automatically about 5 seconds after the last time you pressed the button, and the actual temperature will be displayed.

The temperature can be set at between 41°F and 68°F.

The following drinking temperatures are recommended for the various types of wine.

Red wines **57°F to 68°F** (14°C to 20°C)

Rosé wines **50°F to 54°F** (10°C to 12°C)

White wines **46°F to 54°F** (8°C to 12°C)

Sparkling wines **44°F to 48°F** (7°C to 9°C)

Champagne **41°F to 44°F** (5°C to 7°C)

If you are storing wine for long periods of time, it should be stored at a temperature of between 50°F and 54°F.

## Fan

The interior fan ensures a constant and even interior temperature and a suitable climate for wine storage.

The humidity in the appliance can be increased even further by activating the **Ventilation** button. This has a particularly positive effect for long-term storage.



The increased level of humidity prevents the corks from drying out.

### Note

If the appliance is operated in a low ambient temperature, the fan may also run even when the fan function is deactivated.

## Door open alarm

If the door is left open for more than 180 seconds, the audible warning signal will sound.

If the door must be opened for a lengthy period to place items into the appliance, cancel the audible warning signal by pressing the **Alarm** button.



The alarm switches back to standby when the door is shut.

## Temperature alarm

If the temperatures in the interior are out of the permitted range, the audible warning signal will sound and the temperature display will flash.

After a lengthy power failure, the temperature in the interior may have risen to too high a level. After the power supply returns, the fall in temperature can be watched on the display.

- Cancel the audible warning signal by pressing the **Alarm** button.



The temperature display will stop flashing as soon as the temperature in the interior has reached the set value.

### Temperature alarm after a fault in the appliance

If the appliance develops a fault, the temperature in the interior may rise too high or fall too low. The audible warning signal will sound and the temperature display will flash.

If the temperature displayed is too high (warm), first check whether the door is closed correctly.

If the temperature display continues to show a value that is too high or too low after one hour, contact the customer service department.




- Cancel the audible warning signal by pressing the **Alarm** button.


If **F1, F3, F8, S1, S2, S3, S7, S8** or **S9** appears in the display, the appliance has suffered a fault. In this case, contact the customer service department.


# OPERATION

## Setup mode

In the setup mode you can activate the following functions:

 = Sabbath mode

 = Display brightness

 = Temperature display mode



 = Child lock



## = Sabbath Mode



This feature considers the Religious requirements on Sabbath or Holidays. When the Sabbath Mode is active some functions of the electronic controls are switched off.


- The lighting remains off.
- The cooling fan remains in its actual state: If it is on it remains on, if it is off it remains off.
- There is no door alarm.
- There is no temperature alarm.

### Activating the Sabbath mode



Press  for 5 seconds. Display = 



 Display = 


 Display = 


 Display =  The Sabbath Mode is now activated.

### Deactivating the Sabbath mode

Press  for 5 seconds. Display = 



 Display = 

 Display = 

 = Exit setup mode. The appliance will change back to normal operation.

## = Display brightness

### Adjusting the display brightness

Press  for 5 seconds. Display = 

 Display = 



 Display = 


Use buttons **Up** and **Down** to select the desired setting.

**h0** = display lighting off

**h1** = minimum brightness

**h5** = maximum brightness

 Display = 

 = Exit setup mode. The appliance will change back to normal operation.

The adjusted brightness will be activated after one minute.

### Note



*If a button is pressed, the display lights up for one minute at maximum brightness.*



## □ = Temperature display mode



You can choose the **unit of temperature** for the display in degrees Fahrenheit or degrees Celsius.



### Note



*The factory setting is degrees Fahrenheit.*


Press  for 5 seconds. Display = 

 Display = 

 Display = 

 Display = 

 Display = 

 = Exit setup mode. The appliance will change back to normal operation.

The temperature reading is now displayed in degrees Celsius.



### Note



*To change the temperature display back to degrees Fahrenheit, follow the steps above.*



## ⌂ = Child lock



The child lock is designed to protect the appliance from being switched off and the temperature setting from being changed accidentally.


### Activating the child lock

Press  for 5 seconds. Display = 



 Display = 



 Display = 



 Display = 


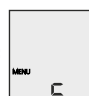
 = Exit setup mode. The appliance will change back to normal operation.


### Deactivating the child lock

Press  for 5 seconds. Display = 

 Display = 

 Display = 

 Display = 

 = Exit setup mode. The appliance will change back to normal operation.

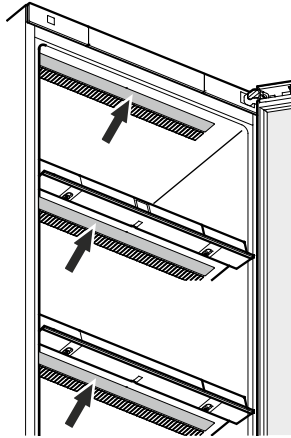
# WINE COOLER COMPARTMENT

## Interior light

The interior of the appliance is lit by an LED light strip at the top of each compartment.

The interior light will always switch on when the appliance door is opened.

The interior light will go out approx. 5 seconds after the door is closed.



Press the **Light** button if you want the interior light to be on even when the door is closed.

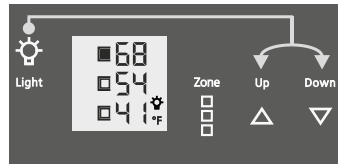


### Note

This function applies to the lighting of all three compartments.

Furthermore, the brightness of the lighting can be adjusted.

- Press the **Light** button.
- Press and hold the **Light** button and at the same time press the temperature setting buttons to increase or decrease the brightness.



Note: The brightness will change in all compartments.

## ⚠ WARNING!

**The light intensity of the LED light corresponds to laser class 1/1M.**

**The light cover may only be removed by customer service staff.**

**If the cover is removed, do not look directly at the light through optical lenses from close distance. This can damage your eyes.**

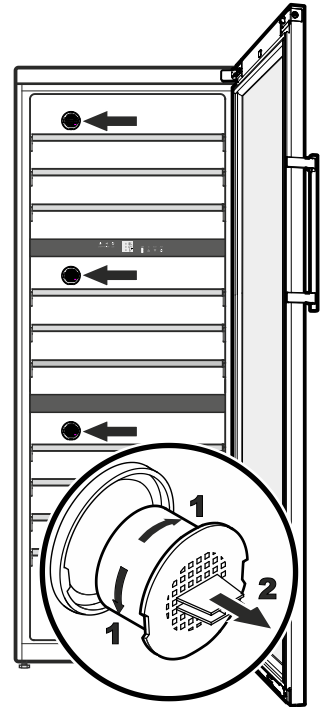
## Air exchange with activated charcoal filter

The way in which wines continue to mature depends on the ambient conditions. The quality of the air is therefore decisive for preserving the wine.

We recommend that you replace the illustrated filter once a year. Filters can be obtained from your dealer.

Changing the filter:  
Take the filter by the handle. Turn it 90° to the left or right and remove.

Inserting the filter:  
Insert with the handle in a vertical position. Turn it 90° to the left or right until it clicks into place.



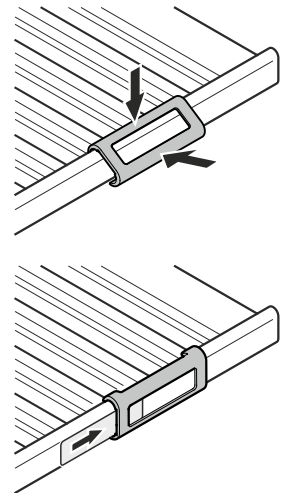
## Labels

The appliance is supplied with one label for each wooden shelf.

Use these to label the type of wine stored on each shelf.

Additional labels can be obtained from your dealer.

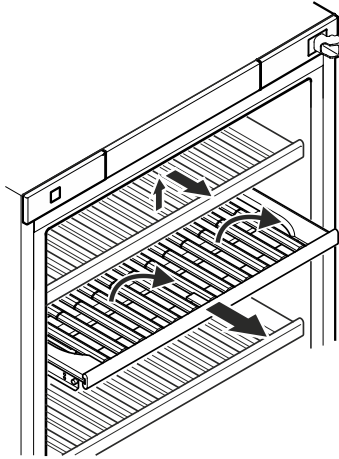
Click the label holder into place and slide the label in from the side.



# WINE COOLER COMPARTMENT

## Presentation shelf

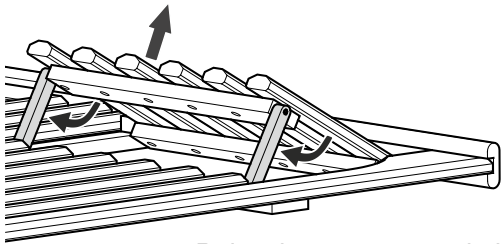
The middle pull-out shelf in the top compartment can be used for the presentation of wine bottles or to keep opened bottles at the perfect temperature. The presentation shelf can be used in all three zones.



The wooden shelf above it must be removed so that the presentation shelf can be used. Raise and remove the shelf.

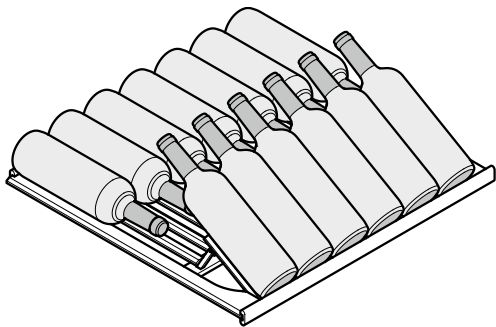
Pull the presentation shelf forwards as far as it will go.

The front section of the presentation shelf consists of two segments which can be raised separately.



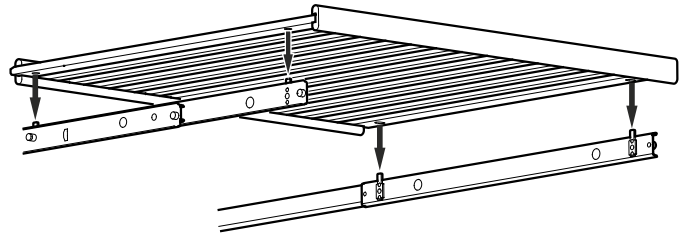
Raise the segment and pivot the two supports downwards.

Bottles can be stored behind the raised segment.



## Inserting the wooden shelf

Fit the upper wooden shelf again for using the presentation shelf for storing bottles normally (with the segments not raised).



Extend the telescopic rails as far as they will go.

Place the wooden shelf with its bore holes face down on the pins on the telescopic rails.

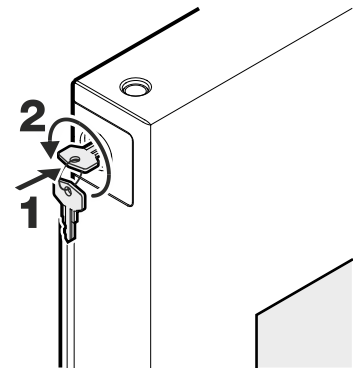
## Safety lock

The lock in the appliance door is equipped with a safety mechanism.

### Locking the appliance

- Insert the key and push as shown by arrow 1.
- Turn the key 180° counterclockwise 2.

To unlock the appliance, the procedure must be repeated in the same order; turning the key clockwise.



### Note

Hold the key at all times. The lock cylinder is spring loaded and will eject the key if you release it.



**WARNING!**

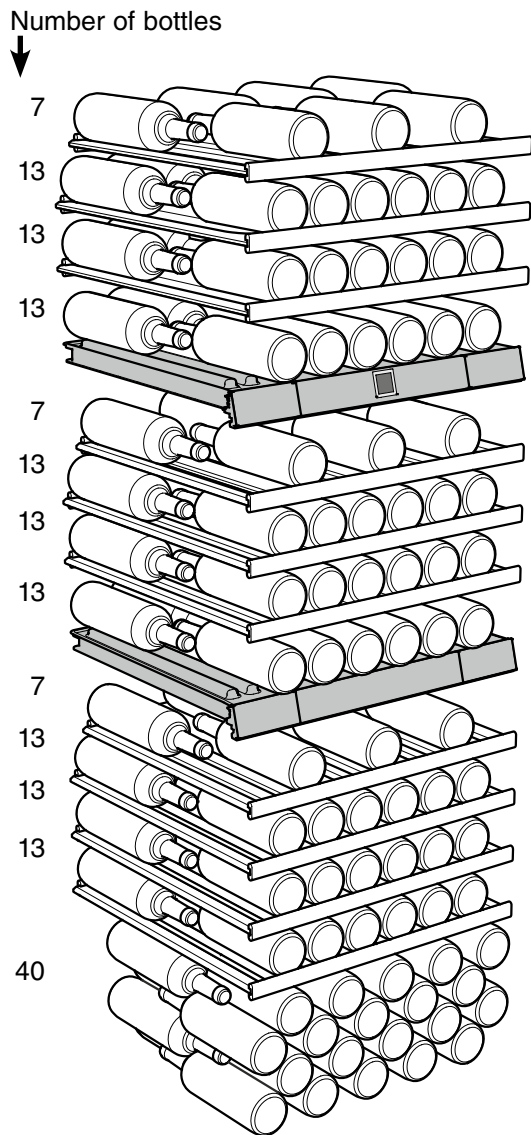
**Risk of child entrapment and suffocation due to a locked appliance door.**

**Keep the key in a safe place out of reach of children and not in the vicinity of the appliance.**

# DEFROSTING/CLEANING

## Storage diagram

for 0.75 l Bordeaux bottles to standard NF H 35-124



Total 178 bottles

### ⚠ WARNING!

**Do not load each wooden shelf with more than 77 lbs (35 kg). The shelf could break and bottles may crack.**

**The sharp edges of the glass fragments can cause serious injury to fingers or hands.**

## Defrosting

The wine cooler compartment defrosts automatically.

## Cleaning

### ⚠ WARNING!

- To prevent possible injury due to an electrical shock, be sure to disconnect the power cord or turn off the circuit breaker before cleaning the appliance.
- To avoid injury or damage, do not use steam cleaning equipment to clean the appliance.
- Clean the inside of the appliance, except the wooden grid shelves, with lukewarm water and a little detergent.

### ⚠ WARNING!

**To avoid short-circuits, ensure no cleaning water penetrates into the electrical components when cleaning the appliance. Do not use a sponge or cloth that is overly wet.**

**Do not** use abrasive or scouring sponges. **Do not** use concentrated cleaning agents. **Never** use abrasive or acid cleaners or chemical solvents or steam cleaners.

- Clean the side panels and door surfaces with a clean and soft cloth. If necessary, use a moist cloth (water + detergent). Alternatively, use a micro-fibre cloth.
- Use a glass cleaner to clean the glass surfaces.
- Dry all parts well with a cloth.
- **Do not** damage or remove the model plate on the inside of the appliance. It is very important for servicing your appliance.

### IMPORTANT

*Mold can form on the bottles and labels depending on the type of adhesive used on the labels. This can be prevented by carefully cleaning any adhesive residues off the bottles.*

# TROUBLESHOOTING

Your appliance is designed and manufactured for a long life and reliable operation.

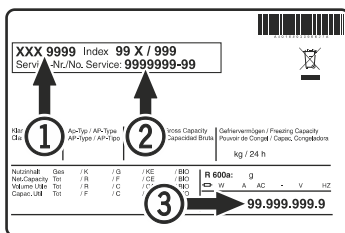
If a problem occurs during operation, check whether it is due to an operating error. Please note that even during the warranty period, some repair costs may be your responsibility.

You may be able to correct the following faults by checking the possible causes yourself:

Problem	Possible Cause and Remedy
Appliance does not work, display is off	<ul style="list-style-type: none"> <li>- Is the appliance turned on properly?</li> <li>- Is the power cord properly inserted in the outlet?</li> <li>- Is the circuit breaker or fuse in operating condition?</li> </ul>
The interior light does not come on	<ul style="list-style-type: none"> <li>- Is the appliance turned on?</li> <li>- Is the interior light turned on?</li> <li>- The interior light is defective. Contact your Liebherr Dealer or Representative.</li> </ul>
Loud running noise	<ul style="list-style-type: none"> <li>- Is the appliance placed firmly on the floor, or does the compressor cause nearby items of furniture or objects to vibrate? If necessary, move the appliance slightly, align by adjusting the adjustable feet, or adjust bottles.</li> </ul>
Motor seems to run too long	<ul style="list-style-type: none"> <li>- Is the ambient temperature too hot? See <b>Safety Regulations</b>.</li> <li>- Has the appliance been opened too often or left open too long?</li> </ul>
The temperature is not cold enough	<ul style="list-style-type: none"> <li>- Is the temperature setting correct? See <b>Setting The Temperature</b>.</li> <li>- Has an excessive amount of wine been placed in the appliance?</li> <li>- Does a separately installed thermometer show the correct reading?</li> <li>- Is the ventilation system working properly?</li> <li>- Is the appliance set up too close to a heat source?</li> </ul>
F1, F3, F8, S1, S2, S3, S7, S8 or S9 appears in the display	The appliance has a fault. Contact your nearest customer service representative.

## Customer service

If none of the above possible causes apply, and you can not rectify the fault yourself, contact your nearest customer service representative. Indicate the type **(1)** of appliance, service number **(2)** and the appliance / serial number **(3)** as indicated on the model plate. The position of the model plate is shown in the section entitled **Description of the appliance**.



## Appliance information

Record this information when the appliance is installed.

Type Designation: \_\_\_\_\_

Service Number: \_\_\_\_\_

Appliance / Serial Number: \_\_\_\_\_

Date of Purchase: \_\_\_\_\_

Where Purchased: \_\_\_\_\_



# REVERSING THE DOOR HINGES

Door hinges should only be changed by a trained expert.  
Changing the door hinges must be done by two people.

## ⚠ WARNING!

The appliance door weighs 66 lbs (30 kg).

Do not perform this procedure if you are not able to lift this weight.

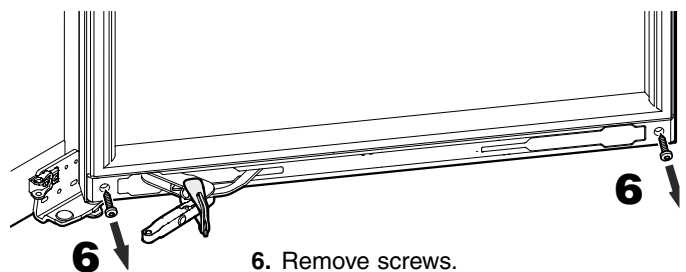
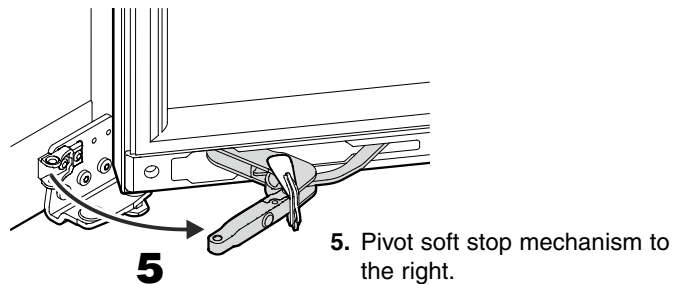
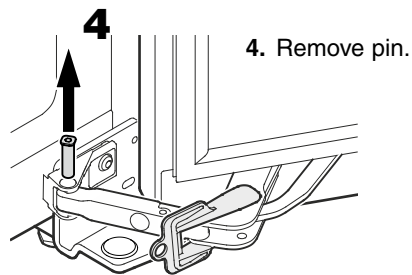
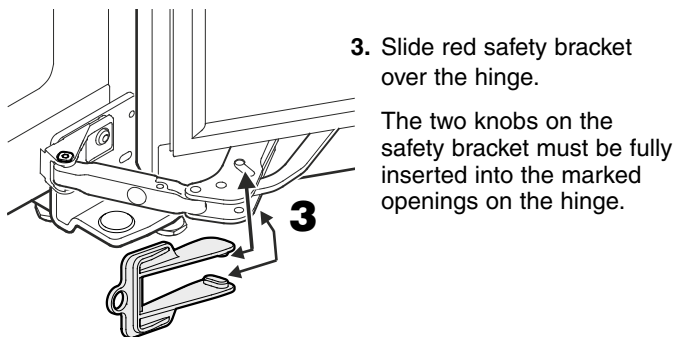
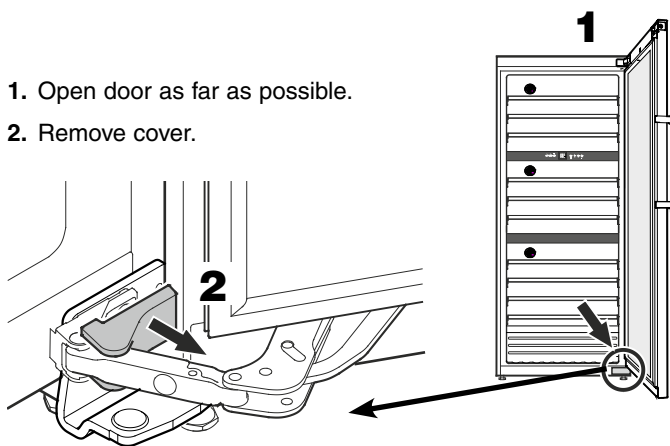
Failure to follow this instruction may result in death or serious injury.

## ⚠ WARNING!

Perform the procedures step by step and follow all given instructions.

Be sure all screws are screwed tight.

Failure to follow this instruction may result in death or serious injury by a falling door or could cause damage to mounting parts.



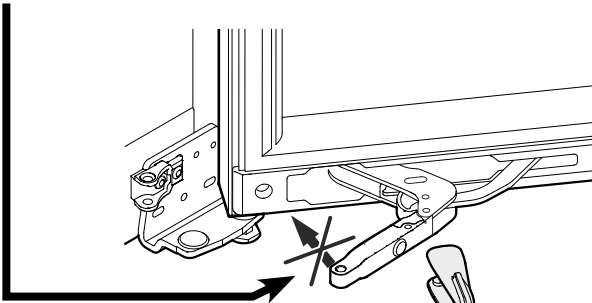


# REVERSING THE DOOR HINGES

## ⚠ WARNING!

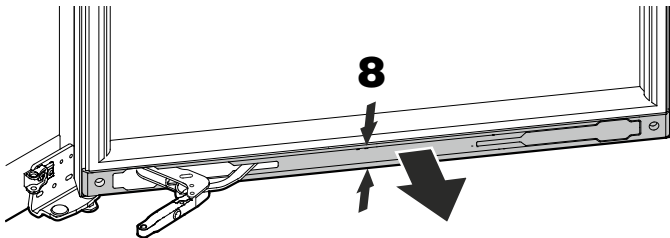
Do not move the front section of the soft stop mechanism in the direction indicated when the safety bracket has been removed.

The hinge may be closed suddenly by the strong integrated spring mechanism. This can cause serious hand or finger injuries.



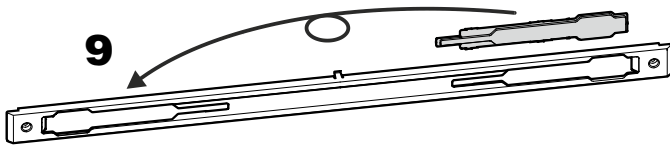
7. Remove red safety bracket.

7



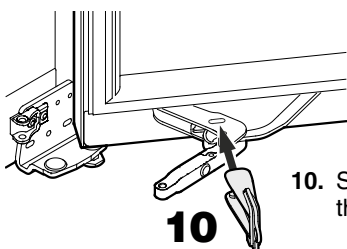
8. Compress the cover in center and release. Remove cover.

8



9. Transfer plate to other side of cover.

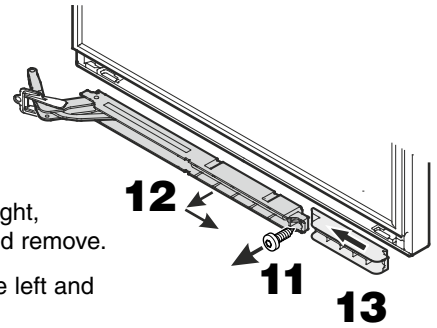
9



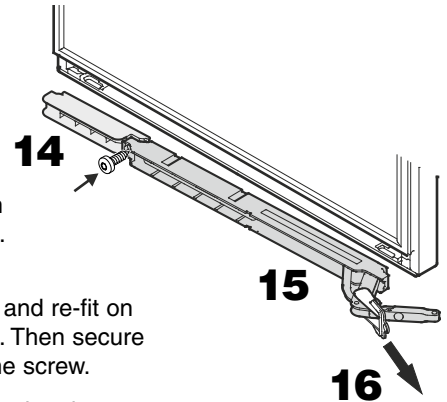
10. Slide red safety bracket over the hinge.

10

11. Remove screw.
12. Pivot soft stop mechanism outwards on the right, pull to the right and remove.
13. Slide spacer to the left and remove.

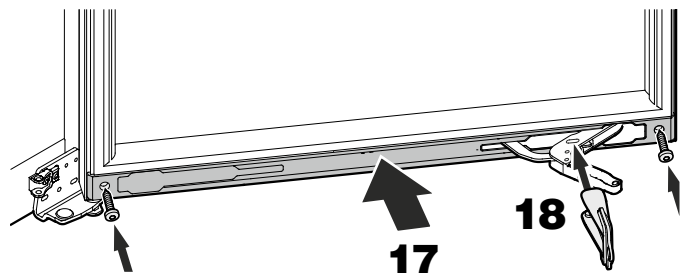
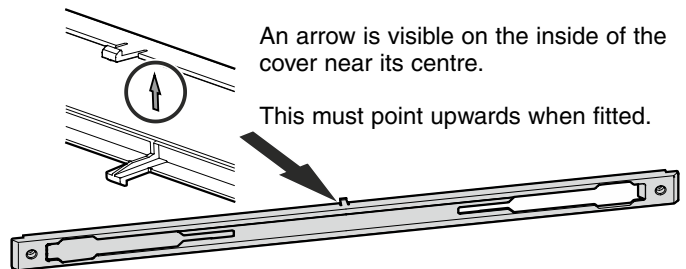


14. Rotate spacer 180° and re-fit on the opposite side.
15. Rotate soft stop mechanism 180° and re-fit on the opposite side. Then secure both parts with the screw.
16. Remove red safety bracket.



Refer to warning in point 7.

### Note for fitting bottom door cover

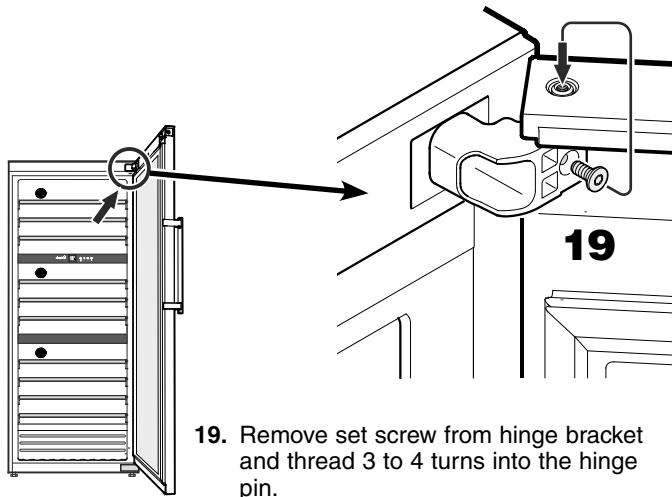


17. Position cover and screw into place.
18. Slide red safety bracket over the hinge.

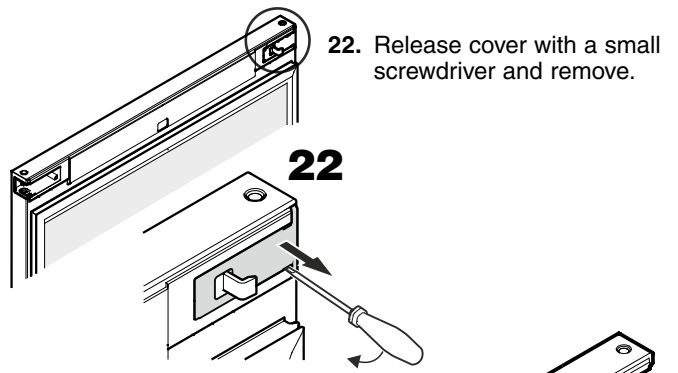
17

18

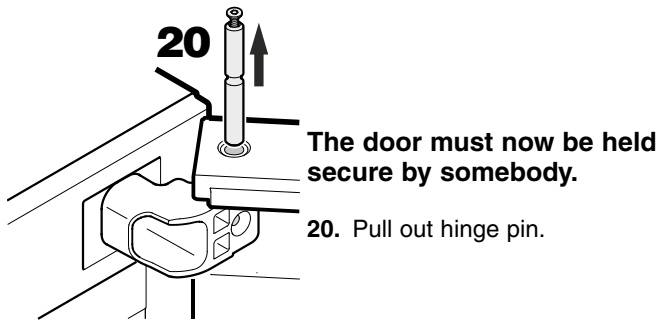
# REVERSING THE DOOR HINGES



19. Remove set screw from hinge bracket and thread 3 to 4 turns into the hinge pin.

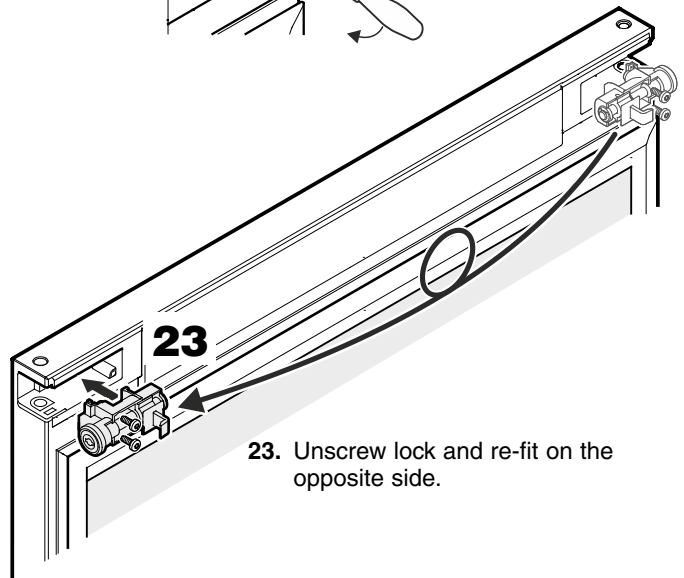


22. Release cover with a small screwdriver and remove.

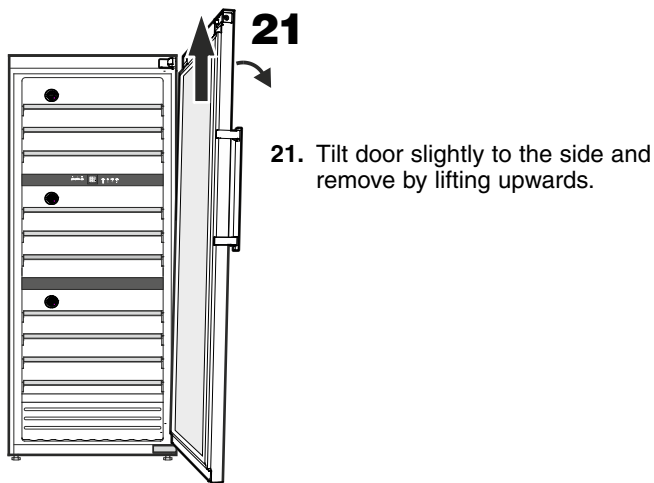


The door must now be held secure by somebody.

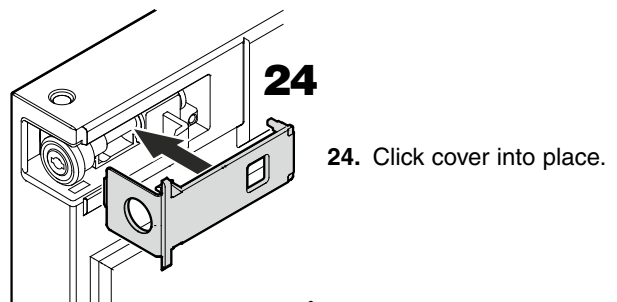
20. Pull out hinge pin.



23. Unscrew lock and re-fit on the opposite side.



21. Tilt door slightly to the side and remove by lifting upwards.

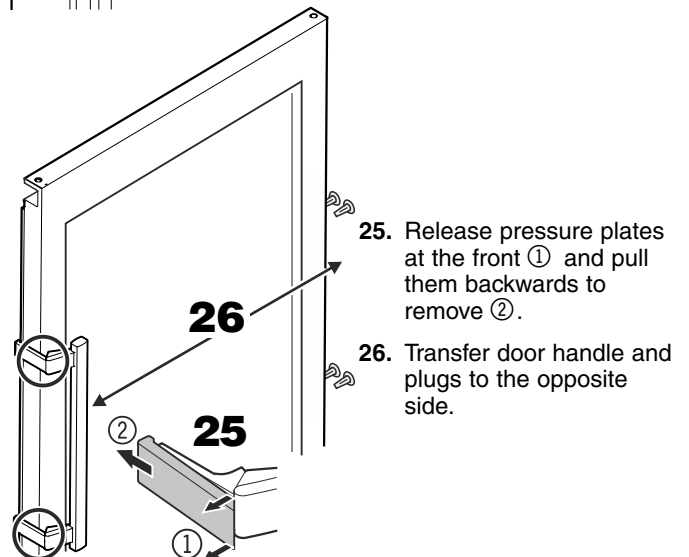


24. Click cover into place.

## ⚠ WARNING! ⚠

The door must be held secure by one person to ensure that a second person can transfer the lock and handle safely.

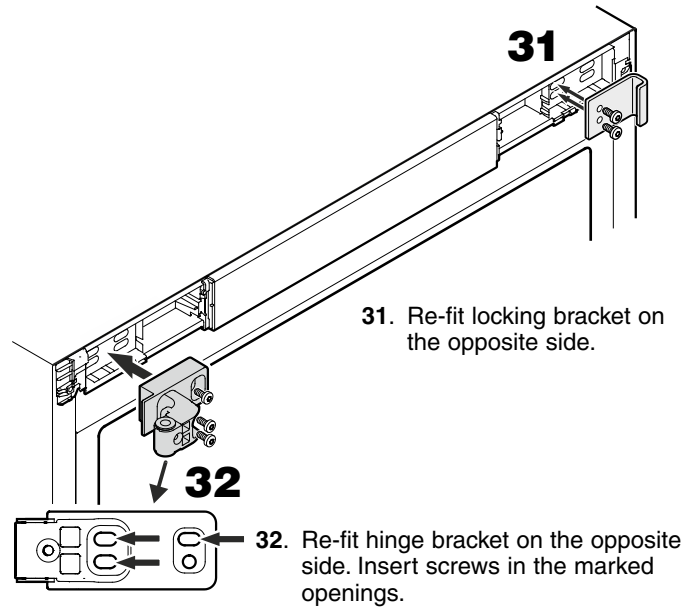
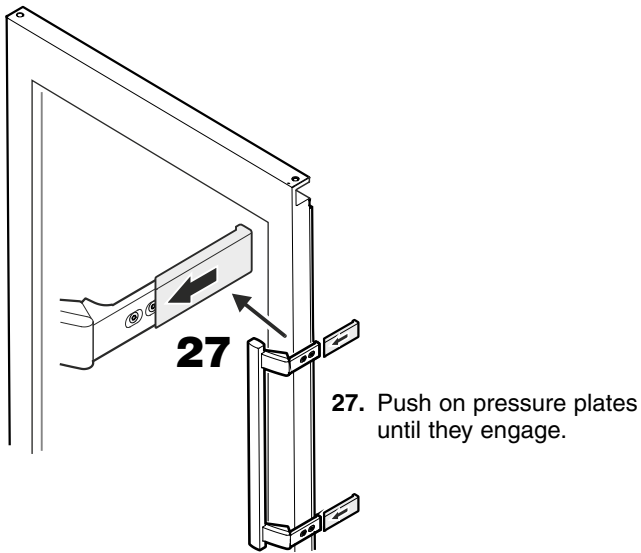
Failure to follow this instruction may result in death or serious injury due to the door tipping.



25. Release pressure plates at the front ① and pull them backwards to remove ②.

26. Transfer door handle and plugs to the opposite side.

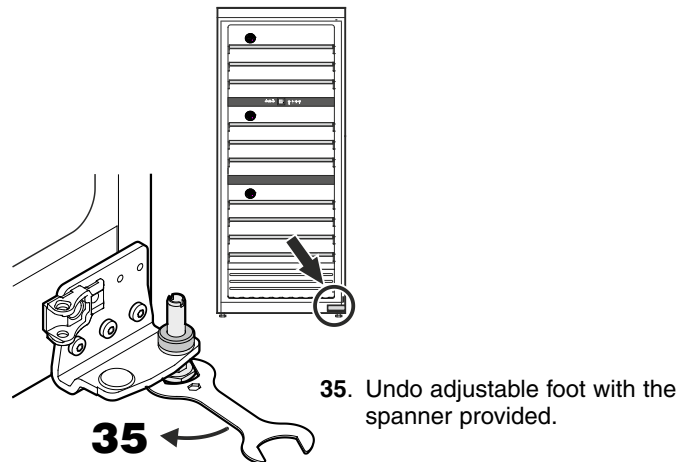
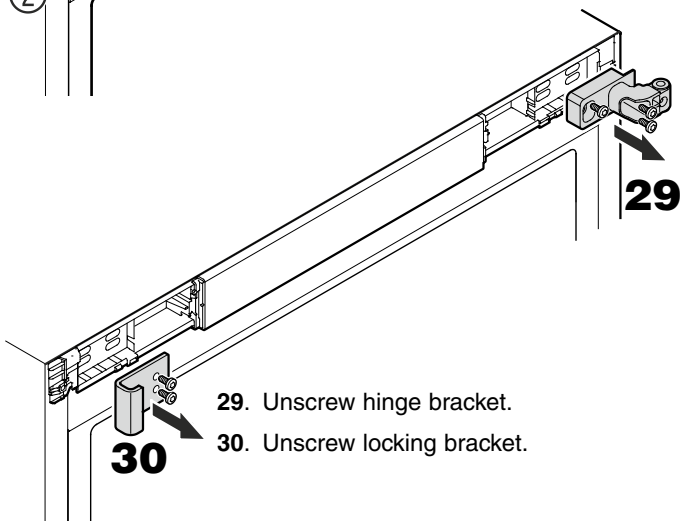
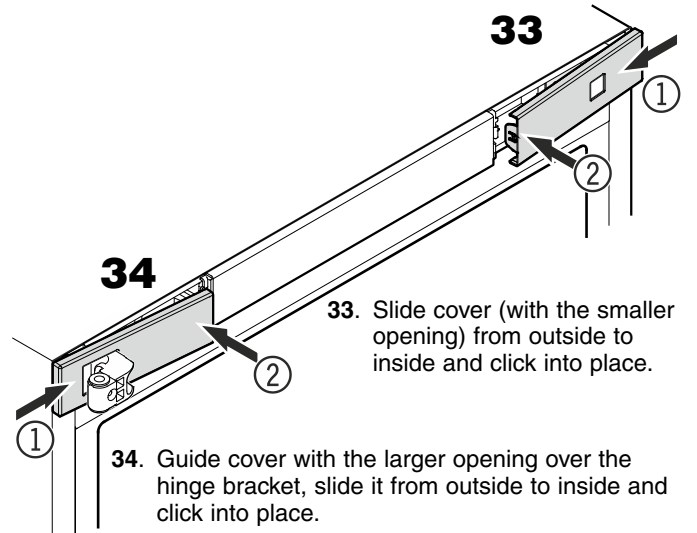
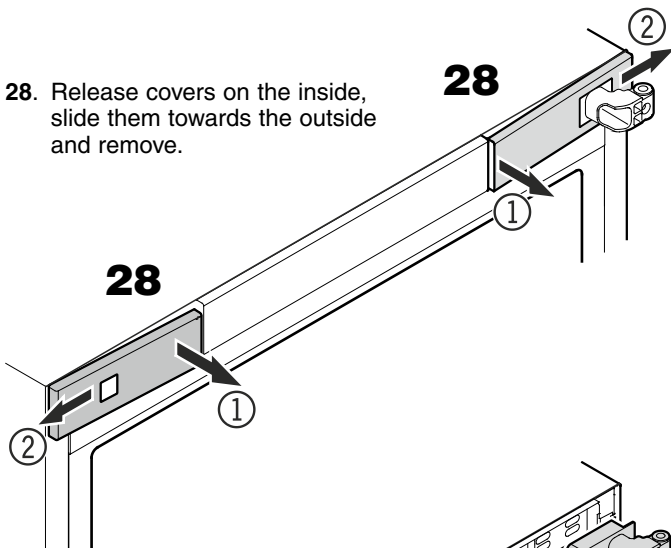
# REVERSING THE DOOR HINGES



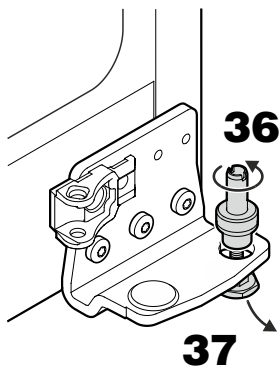
**⚠ WARNING!**

Put the door in a safe place after modification and secure from tipping.

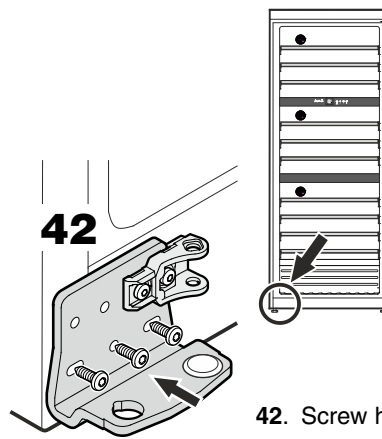
Failure to follow this instruction may result in death or serious injury.



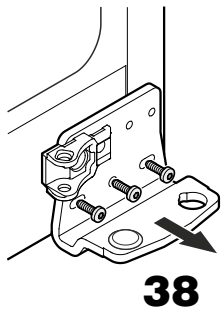
# REVERSING THE DOOR HINGES



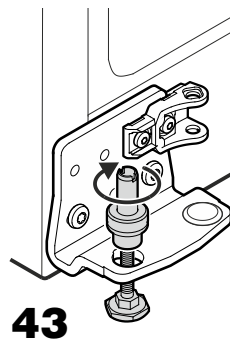
- 36.** Pull hinge pin upwards and unscrew it from the adjustable foot.
- 37.** Pull adjustable foot downwards to remove.



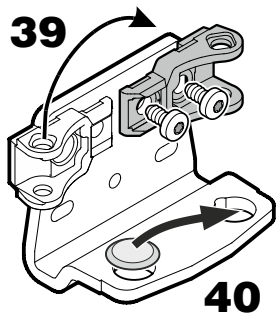
- 42.** Screw hinge bracket into place.



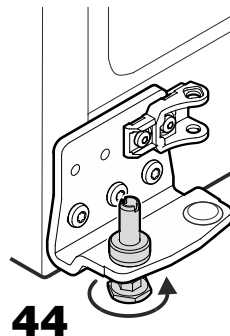
- 38.** Unscrew hinge bracket.



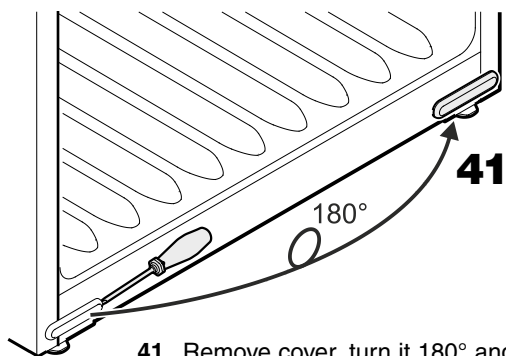
- 43.** Fit adjustable foot from underneath and attach hinge pin to it.



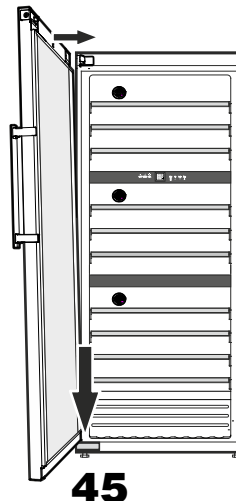
- 39.** Transfer fastener for soft stop mechanism on hinge bracket to the opposite side.
- 40.** Transfer cover to the opposite side.



- 44.** Insert pin fully into hinge bracket and tighten adjustable foot by hand.



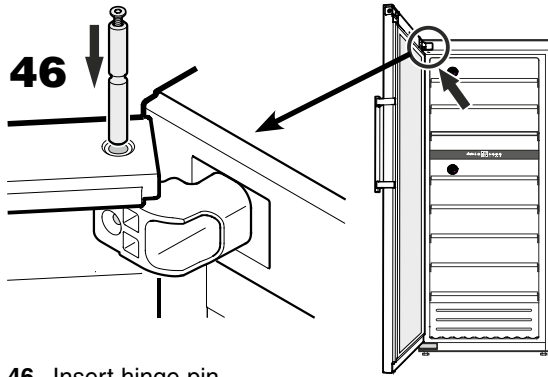
- 41.** Remove cover, turn it 180° and re-fit on the opposite side.



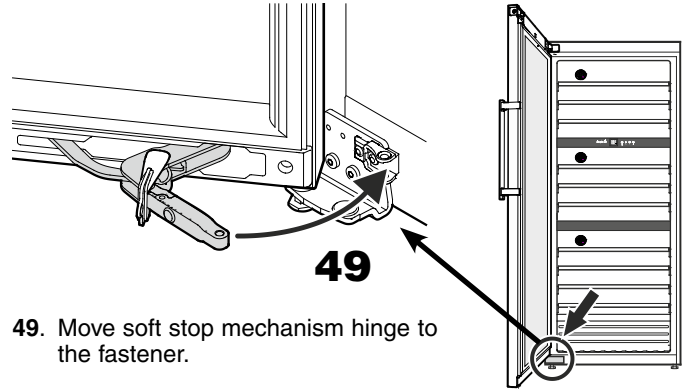
- 45.** Place door on pin and move the top of it to the hinge bracket.

**The door must now be held secure by somebody.**

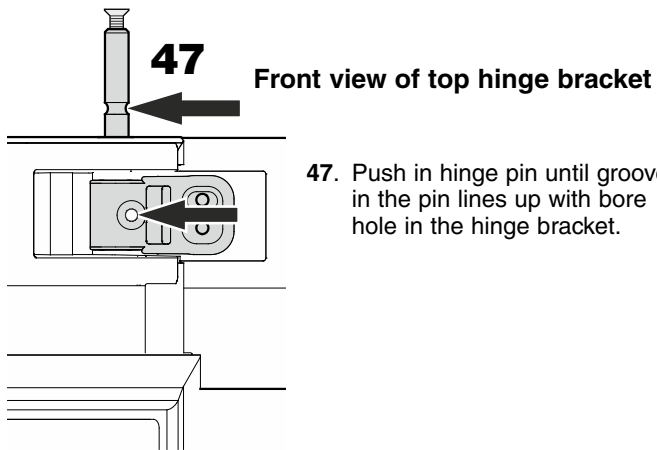
# REVERSING THE DOOR HINGES



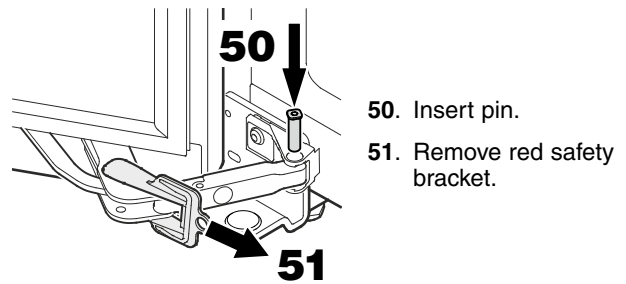
46. Insert hinge pin.



49. Move soft stop mechanism hinge to the fastener.

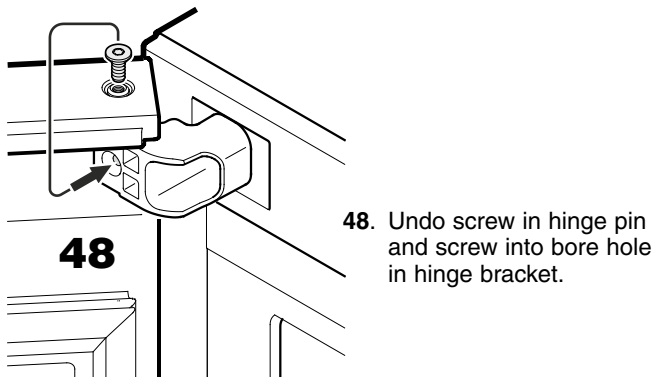


47. Push in hinge pin until groove in the pin lines up with bore hole in the hinge bracket.

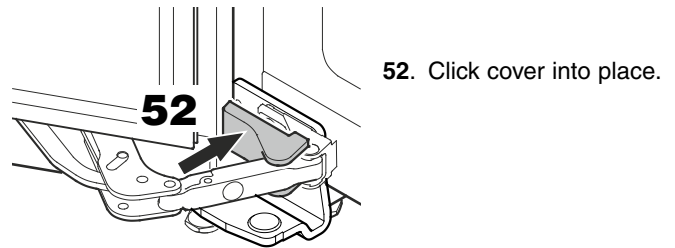


50. Insert pin.

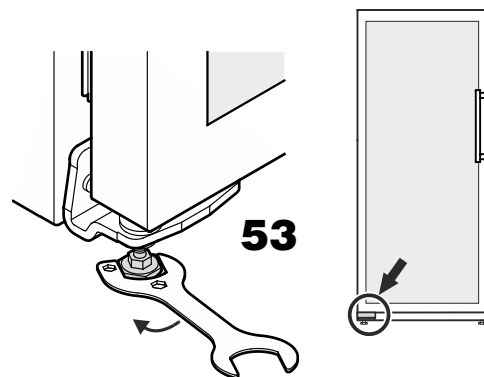
51. Remove red safety bracket.



48. Undo screw in hinge pin and screw into bore hole in hinge bracket.



52. Click cover into place.



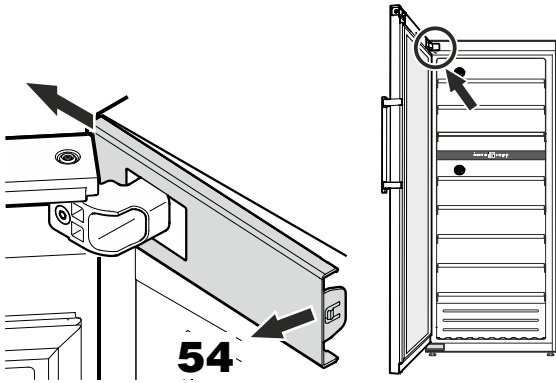
53. Place the appliance in its final position at the place of installation.

Extend the adjustable foot at the bottom hinge bracket until it rests on the floor and then make a further 90° turn.

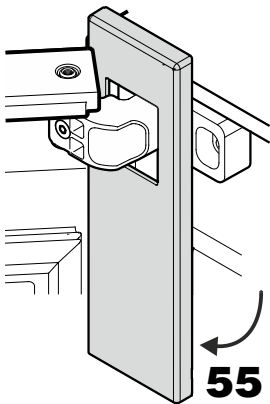
# REVERSING THE DOOR HINGES

## Adjusting the lateral tilt of the door

If the door is at an angle, adjust the angle.

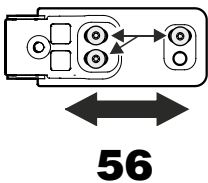


54. Release cover on the inside and slide to the outside.



55. Turn cover downwards.

## Front view of top hinge bracket



56. Undo screws and slide hinge bracket to the right or left.

Tighten screws.

Re-fit cover following the instructions above in reverse order.

Close door and check that it is aligned with the side walls of the appliance.

## LIEBHERR WARRANTY PLAN

### FULL TWO YEAR WARRANTY

For two years from the date of original purchase, your Liebherr warranty covers all parts and labor to repair or replace any part of the product which proves to be defective in materials or workmanship.

### FULL FIVE YEAR WARRANTY

For five years from the date of original purchase, your Liebherr warranty covers all parts and labor to repair or replace any components that prove to be defective in materials or workmanship in the sealed system. The “Sealed System” means only the compressor, condenser, evaporator, drier and all connecting tubing.

### LIMITED 6TH THROUGH 12TH YEAR WARRANTY

From the 6th through 12th year from the date of original purchase, your Liebherr warranty covers all parts that prove to be defective in materials or workmanship in the Sealed System (parts only).

### TERMS APPLICABLE TO EACH WARRANTY

All service provided by Liebherr under the warranty must be performed by authorized Liebherr service representatives, unless otherwise specified by Liebherr. Service will be provided in the home during normal business hours. This warranty applies only to products installed for normal residential use. Details regarding a non-residential warranty are available on request.

The warranty applies only to products installed in Canada and any one of the fifty states of the United States or the District of Columbia. This warranty does not cover any parts or labor to correct any defect caused by negligence, accident or improper use, maintenance, installation, service or repair, including but not limited to improper removal and reinstallation of the condensing unit.

**THE WARRANTIES DESCRIBED ABOVE ARE MADE EXPRESSLY IN LIEU OF ANY OTHER WARRANTIES, EXPRESSED OR IMPLIED, INCLUDING ANY IMPLIED WARRANTY OF MERCHANTABILITY OR FITNESS FOR A PARTICULAR PURPOSE, AND OF ANY OTHER OBLIGATION OR LIABILITY ON THE PART OF LIEBHERR. IN NO EVENT SHALL LIEBHERR BE LIABLE FOR SPECIAL, INCIDENTAL OR CONSEQUENTIAL DAMAGES ARISING FROM THE BREACH OF THESE WARRANTIES OR ANY OTHER WARRANTIES, WHETHER EXPRESS, IMPLIED OR STATUTORY.**

Some States do not allow the exclusion or limitation of incidental or consequential damages so the above limitation or exclusion may not apply to you. This warranty gives you specific legal rights and you may also have other rights which vary from State to State.

To receive parts and/or service and the name of the Liebherr authorized service representative nearest you, contact your Liebherr dealer or distributor or contact the Liebherr designated national service provider:

in the US: [Service-appliances.us@liebherr.com](mailto:Service-appliances.us@liebherr.com), or call 1-866-LIEBHER or 1-866-543-2437  
in Canada: [www.euro-parts.ca](http://www.euro-parts.ca), or call 1-888-LIEBHER, 1-888-543-2437.

## **For Service in the U.S.**

### **Liebherr Service Center**

Toll Free: **1-866-LIEBHER** or **1-866-543-2437**

Email: [Service-appliances.us@liebherr.com](mailto:Service-appliances.us@liebherr.com)

### **PlusOne Solutions, Inc.**

3501 Quadrangle Blvd, Suite 120

Orlando, FL 32817

## **For Service in Canada**

### **Liebherr Service Center**

Toll Free: **1-888-LIEBHER** or **1-888-543-2437**

[www.euro-parts.ca](http://www.euro-parts.ca)

### **EURO-PARTS CANADA**

39822 Belgrave Road

Belgrave, Ontario, N0G 1E0

Phone: (519) 357-3320

Fax: (519) 357-1326



[www.liebherr-appliances.com](http://www.liebherr-appliances.com)