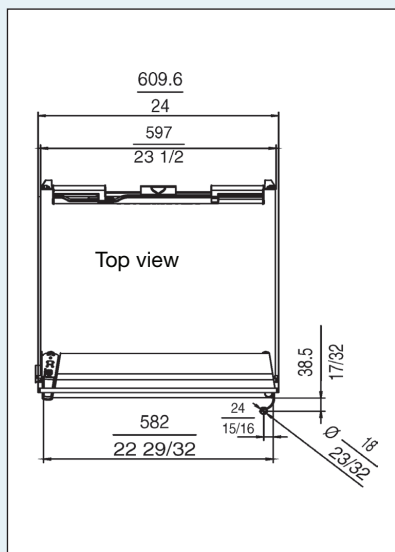
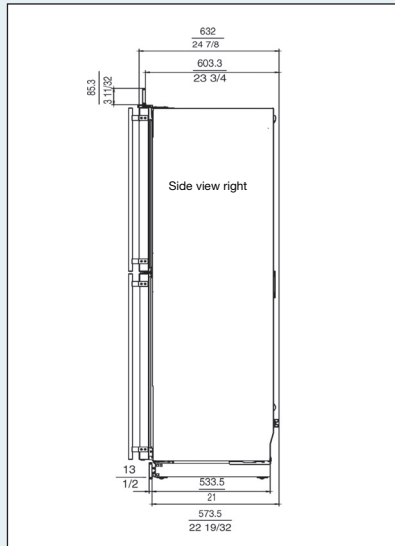
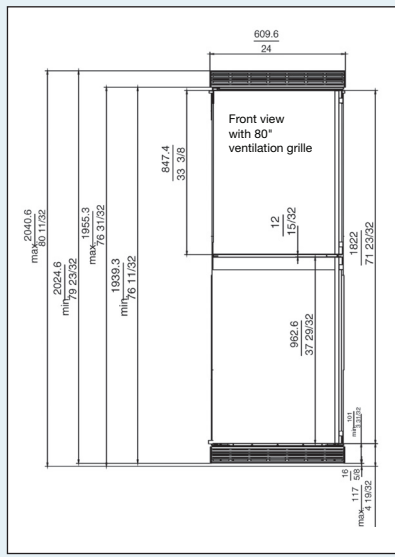
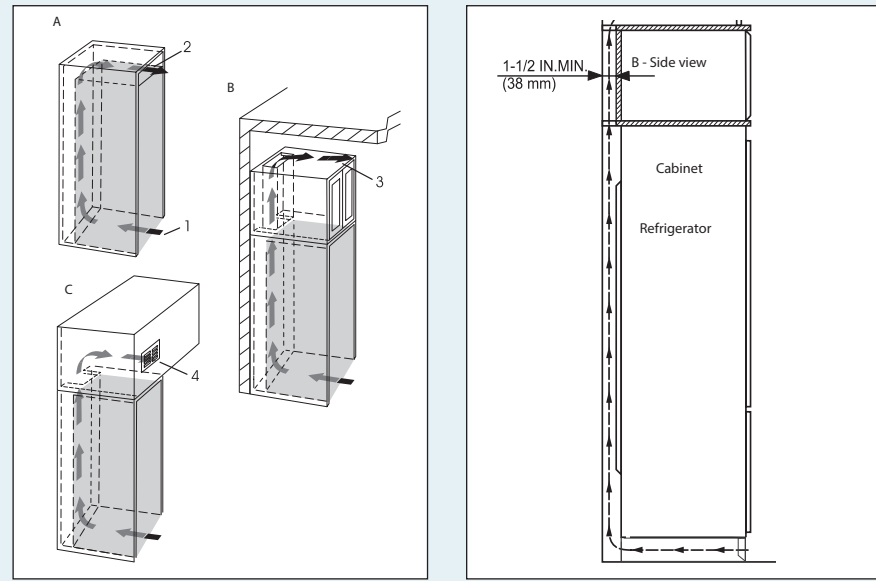


Unit Dimensions



Ventilation Requirements



This is a built-in refrigerator-freezer with either custom finished door panels or stainless steel doors. The unit is not intended for freestanding use and has to be installed inside a cabinet. This type of cabinet must be carefully constructed using the proper dimensions and it must provide proper ventilation to ensure proper appliance operation.

Kitchen Cabinet Airflow

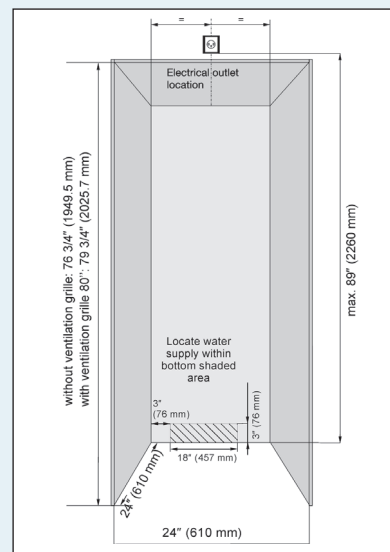
The following ventilation dimensions must be observed: There must be a ventilation space at least 31 in.² (200 cm²) at the airflow inlet (1) and at the airflow outlet (2).

The top ventilation space can be directed in one of the following ways:

- A) Directly over the appliance (2) with an optional factory air vent.
- B) Above the cabinet and below the ceiling (3).
- C) Through a vent installed in a soffit (4).

The refrigerator is designed to allow proper air flow when the appliance is installed up against the wall. A minimum space of 1 1/2" is required when a cabinet is built above.

Cabinet Opening Dimensions



All units are to open at a minimum of 90° to prevent problems removing drawers. With the door opening 90°, you may have to move drawers slightly to clear the door interior.

- Use a minimum 2" (51 mm) filler, for corner installations, so the door can be opened to 90°. If you're using raised panels, consider using a wider filler.
- Use the supplied filler strip when units are installed side by side.

NOTE:

Refer to the minimum door clearances and illustrations at the end of this section for details on door openings and filler size alternatives.

The given cabinet opening height dimension includes top air vent. If you choose to place the vent above the cabinet or in a soffit, you will need to adjust the height dimension accordingly.



Liebherr WF 1061
Built-in/Stainless Steel



Built-in/Stainless Steel

◀24"▶

Liebherr's **WF 1061** with three distinct temperature zones (freezer compartment, and two temperature zones in the wine compartment) make for completely customized storage conditions. Other key features include: cabinet depth dimensions, Liebherr's SoftSystem for gently closing doors, flexible and LED lighting. The dual zone wine cabinet houses 34 bottles, on beech wood shelving with smooth telescopic rails and incorporates a unique drop-down presentation shelf for displaying your finest bottles.

Possible Side-by-Side configuration
SBS 246: WF 1061 and RB 1410



Built-in/Stainless Steel

Capacity

Total capacity cu.ft. (l)
 Max. No. of Bordeaux btls 0.75 l

Shipping weight lbs. (kg)

Climate rating

Sound rating dB(A)

Door hinges

Outside dimensions

in inches (cm) H/W/D

Cut out dimensions

in inches (cm) H /W/D

Energy supply

Voltage V/Hz

WF 1061 Premium



8.9 (254)

34

255.3 (115.3)

SN-T

43**

left

76 3/8" / 24 1/16" / 26 13/16" (193.9 / 61 / 68)

76 13/16" - 79 13/16" / 24 1/16" / 24 1/16" (195 - 202.6 / 61 / 61)

115/60

* Energy Cost will depend on utility rates and use. Estimated energy cost based on a national average electricity cost of 12 cents per kWh.

** Noise output – according to EN 60704-3

Features

◀24"▶



German Engineering: Our superior products offer premium quality, cutting edge design and innovative features that fit your busy lifestyle. Exclusive components and materials, along with the latest production processes, ensure energy efficiency and performance for years to come.



Energy Star: Liebherr refrigerators help produce less energy waste and greenhouse gas emissions with the goal of having the least damaging effect on the environment, while offering solutions that help consumers conserve energy.



SuperQuiet: Noise is kept to a minimum with virtually silent, speed controlled compressors and a low-noise cooling circuit; while also ensuring exact performance, energy efficiency and SuperQuiet operation.



Soft System

SoftSystem: Unique to Liebherr is our patented SoftSystem, often used in high-end cabinetry, ensures that the door closes gently, even when fully loaded. Plus the door opening angle can be reduced to 90 degrees allowing for more design options within kitchen décor.

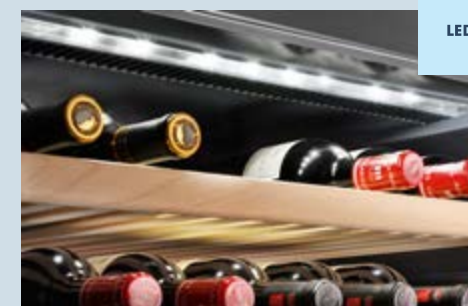


Electronic Control

Electronic LCD display: Intuitive navigation of touch electronic control system enables tailored storage options. The digital temperature display can be viewed via the UV tinted glass door.



FrostSafe Drawers: The removable FrostSafe Drawers create flexible storage space that can easily expand to accommodate larger items. Advantageously, this spacious and practical transparent drawer system helps you fit more as well as maintain temperature by keeping cold air from escaping when the door is open.



LED

LED Lighting: The energy efficient LED ceiling light not only emits virtually no heat, but it is dimmable to cast a cool glow to give a pleasing ambient light inside the appliance as well as the room.



Door-on-door technology: Allows custom panels to be affixed directly onto the appliance so that the hinges are concealed, plus the cabinet and the fridge open as one, ensuring a wide range of design options and easy installation.



Ice Maker

IceMaker: Liebherr's icemaker produces perfect ice that does not stick together thanks to our twist tray technology. The automatic IceMaker provides you with a constant supply for every occasion. An activated carbon filter ensures pure water for production of clear ice cubes.