

MW 2400

24"

24" Monolith Wine - Fully Integrated, panel ready



Infinity Light

Wine

Soft System

Smart Device

Telescopic Rails



Energy consumption (kWh/y)	
Sound rating dB(A) ¹	38
Total capacity cu.ft. (l)	11.3 (320)
Max. No. of Bordeaux bottles (0.75l)	96
Number of shelves	9
Shelves on telescopic rails	9
Shelf material	aluminum/beech
InfinityBoard	yes
Electronic control	InfinitySwipe
Temperature range °F (°C)	+41°F to +68°F (+5°C to +20°C)
Temperature zones	3
Temperature alarm	visual and acoustic
Interior light	InfinityLight
Door alarm	acoustic
Safety thermostat	yes
Activated Charcoal filter	yes
Door type	insulated glass door
Door hinges ²	right, reversible

Product dimensions

in inch (H/W/D)	83 3/4" / 23 3/4" / 24 1/16"
in cm (H/W/D)	212.6 / 60.2 / 61

Cut out dimensions

in inch (H/W/D)	84" / 24" / 25"
in cm (H/W/D)	213.4 / 61 / 63.5
Net weight lbs. (kg)	359.3 (163)
Voltage V/Hz	115/60

This unit is also available as MW2401: with left door hinges

Available Accessories

- 9901 533 Stainless steel door panel wine 24"
- 9901 461 Monolith brushed aluminum square handle
- 9901 489 Monolith stainless steel round handle
- 9901 492 Monolith brushed aluminum soft-edge handle
- 9901 496 Stainless steel Toe Kick 24"
- 9096 342 FreshAir activated charcoal filter
- 9902 399 Reverse door kit

Accessories for Side-by-Side installation

- 9901 428 Side-by-Side kit (includes wall heater)
- Other stainless steel Toe Kicks for Side-by-Side installation, please visit home.liebherr.com/monolith or refer to the accessory section on the Design Guide for more information.

Features & Benefits

InfinitySwipe: Intuitive electronic touch-control panel features a full-color 3.5-inch touch & swipe screen that allows you to control every function.

InfinityProtection: To protect wines from high temperature fluctuations, Monolith wine columns utilize two temperature sensors in each compartment to help maintain precise temperatures.

Customized Labeling: Located on each wine shelf trim, erasable labels allow you to identify and customize your wine collection, making sure each bottle is right where you want it.

FreshAir Activated Charcoal Filter: Monolith's FreshAir filter features independent compartment filters which helps to protect and preserve wine from contaminants and damaging odors.

Flexible Shelves on Telescopic Rails: Monolith's flexible shelves allow for custom configurations to hold larger wine and champagne bottles.

InfinityBoard: The unique design of the Monolith wine column features a board that can be pulled out as a temporary shelf to hold bottles while organizing and adding to your wine collection.

Warranty terms

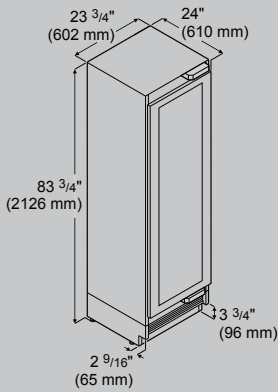
Full 2-Year Warranty, full 5-Year Warranty in the Sealed System and limited 6-12 Year Warranty.

¹ Noise output – according to EN 60704-3.

² Please contact your Liebherr Authorized Dealer for door reversal.

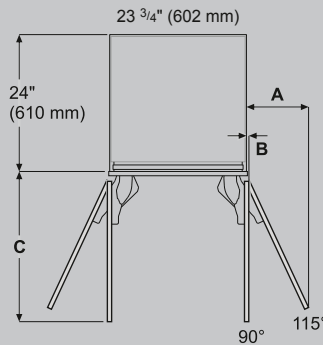
LIEBHERR

Product Dimensions



IMPORTANT!
Stated minimum height dimensions include when the leveled feet are fully inserted.

Height can be increased by a maximum of 1" (26 mm) by turning the adjustable feet. When the appliance is fitted in the recess, the appliance must be raised by turning the adjustable feet so that the appliance top has contact with the anti-tipping bracket. This results in a 4" (102 mm) Toe Kick height.



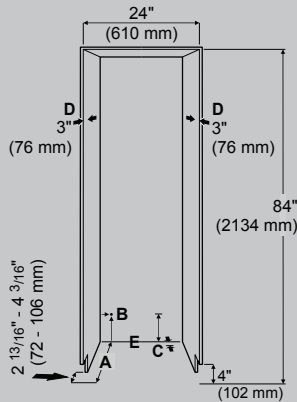
Inset
A = 10 3/4" (273 mm)
B = 1/2" (12.5 mm)
C = 25 7/8" (658 mm)

Frameless
A = 11" (279 mm)
B = 1/2" (12.5 mm)
C = 26 3/8" (670 mm)

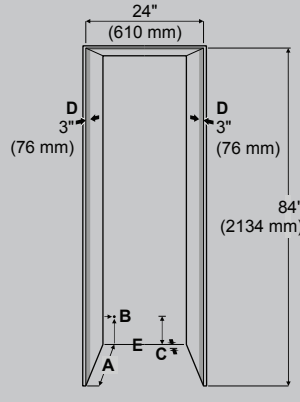
Dimension A = without mounted door handle

Cut out Dimensions

Continuous Toe Kick



Individual Toe Kick



A
Cabinet depth frameless installation style = 25" (635 mm)
Cabinet depth inset installation style = 25" (635 mm) + panel thickness

B
At this point the power cord exits from the appliance rear. 3/4" (19 mm) from the left and 5" (127 mm) from the floor. Free length of the power cord is 98" (2.5 m). We recommend power outlet to be placed outside of the appliance opening. A 15 or 20A, 110-120 VAC circuit grounded and protected by a circuit breaker or fuse is required.

C
The appliance has a recess in this area for cable and waterline laying. 1" (25 mm) in depth and 5 1/2" (140 mm) in height over the whole width of the appliance.

D
This surface is visible when the appliance door is open. Designed finish is required.

E
The anti-tipping bracket is positioned at the base of the appliance and must be secured to the wall or to the floor, please refer to the installation manual for more information.

Door Panel Dimensions

and dimensions of free length for power

24" recess

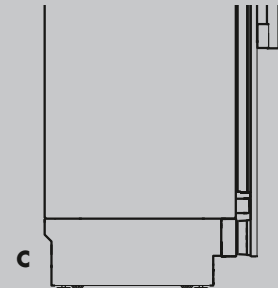
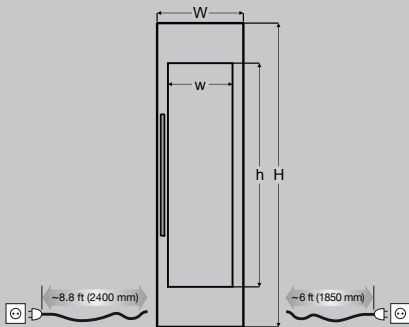
Inset installation style

H = 79 7/8" (2029 mm) / h = 58 7/8" (1495 mm)
W = 23 3/4" (603 mm) / w = 17" (432 mm)

Frameless installation style

H = 80" (2032 mm) Add overlapping dimension to the panel on the top.
W = 24" (610 mm) Add overlapping dimension to the panel on both sides.

Panel thickness: Min. 5/8" (16 mm) * / Max. 1" (25.4 mm)
Panel and handle weight: Max. 52 lbs. (24 kg)



* If a shaker style panel is used, which is thinner than the minum panel thickness, shorter screws than those supplied in the accessory pack must be used.