



Installation Guide

Quality, Design and Innovation



home.liebherr.com/fridge-manuals








LIEBHERR

General safety instructions

Contents

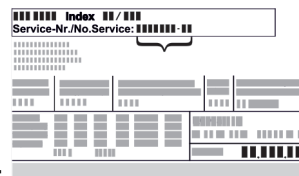
1	General safety instructions.....	2
2	Setup conditions.....	3
2.1	Space.....	3
2.2	Setting up multiple appliances.....	3
2.3	Electrical connection.....	3
3	Appliance dimensions.....	4
4	Recess dimensions.....	4
4.1	Internal dimensions.....	4
5	Ventilation requirements.....	5
6	Transporting the appliance.....	5
7	Unpacking the appliance.....	5
8	Setting up the appliance.....	5
8.1	After setup.....	6
9	Disposal of packaging.....	6
10	Explanatory symbols used.....	6
11	Reversing the door.....	7
12	Fit the appliance into the recess.....	9
13	Connecting the appliance.....	15

The manufacturer is constantly working to improve all types and models. Therefore, please be aware that we reserve the right to make changes to the shape, equipment and technology.

Symbol	Explanation
	Read instructions Please read the information in these instructions carefully to understand all of the benefits of your new appliance.
	Check appliance Check all parts for transport damage. If you have any complaints, please contact your agent or customer service.
	Differences These instructions apply to a range of models, so there may be differences. Sections that apply to certain models only are indicated by an asterisk (*).
	Instructions and results Instructions are marked with a ▶. Results are marked with a ▷.
	Videos Videos about the appliances are available on the YouTube channel of Liebherr-Hausgeräte.




1 General safety instructions

- Please keep this assembly manual in a safe place so you can refer back to it at any time.
- If you pass the appliance on, please hand this assembly manual to the new owner.
- Read this assembly manual before installation and use in order to use the appliance safely and correctly. Follow the instructions, safety instructions and warning messages included at all times. They are important for ensuring you can operate and install the appliance safely and without any problems.
- First read the general safety instructions in the “General safety instructions” section of the **operating instructions**, which accompany these installation instructions, and follow them. If you cannot find the **operating instructions**, you can download the **operating instructions** from the internet by entering the service number at home.liebherr.com/fridge-manuals. The service number can be found on the serial



tag:

- **Observe the warning messages and other detailed information in the other sections when installing the appliance:**

	DANGER	indicates a hazardous situation, which if not avoided, will result in death or serious injury.
	WARNING	indicates a hazardous situation, which if not avoided, could result in death or serious injury.
	CAUTION	indicates a hazardous situation, which if not avoided, will result in minor or moderate injury.
	NOTICE	indicates a hazardous situation, which if not avoided, could result in damage to property.
	Note	indicates useful advice and tips.

2 Setup conditions



WARNING

Risk of fire due to moisture!

If live parts or the power cord get wet, this can cause a short circuit.

- ▶ The appliance is designed for use in enclosed spaces. Do not operate the appliance in open space or in damp areas or where there is spray.

Normal use

- Only set up and use the appliance in enclosed spaces.
- Only use once installed.

2.1 Space



WARNING

Leaking refrigerant and oil!

Fire. The refrigerant contained within the appliance is environmentally friendly, but flammable. The oil contained within the appliance is flammable. Escaping refrigerant and oil can ignite if they are of high enough concentration and are exposed to an external heat source.

- ▶ Do not damage the pipelines of the coolant circuit and the compressor.

- If the appliance is installed in a very damp environment condensate water may form on the outside of the appliance.

Always ensure sufficient airflow and ventilation in the setup location.

- The more refrigerant there is in the appliance, the larger the space that it is installed in must be. If the space is too small, any leak may create a flammable mixture of gas and air. For every 8 g (0.28 oz) of refrigerant, the installation space must be at least 1 m³ (35.5 ft³). Specifications on the refrigerant in the appliance can be found on the serial tag plate inside the appliance.

2.1.1 Installation surface

- The floor of the installation site must be horizontal and level.
- If you are installing the unit in a cabinet standing on an uneven floor: level the cabinet.

2.1.2 Installation position

- Do not install appliance in direct sunlight or next to an oven, radiator or similar.

2.2 Setting up multiple appliances

NOTICE

Risk of damage caused by water condensate!

- ▶ Do not install this device directly beside another fridge/freezer compartment.

NOTICE

Risk of damage caused by water condensate!

- ▶ Do not stack the appliance directly on top of another.

These appliances are designed for different types of installation. Only combine appliances if the appliances are designed for this. The following table shows the installation options by model:

Setup type	Model
Single	All models
Side-by-Side (SBS)	Model that start with S...
Stacked	Models up to a maximum recess height of 880 mm (34 5/8 in) and with a heated cover can be "stacked". Upper appliance: up to a maximum recess height of 140 mm (5 1/2 in)

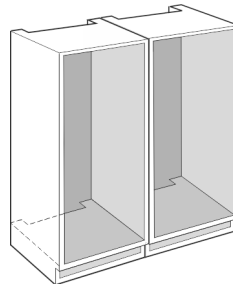


Fig. 1

Install each appliance into its own recess.

2.3 Electrical connection



WARNING

Danger of fire due to incorrect positioning!

If the power supply cable or plug touches the back of the appliance, the vibration can damage the power supply cable or the plug resulting in a short circuit.

- ▶ Make sure the power supply cable is not trapped under the appliance when you position the appliance.
- ▶ Install the appliance so that it does not touch any plugs or power cables.
- ▶ Do not connect any appliances to sockets in the area of the back of the appliance.
- ▶ Do **not** place and operate power strips/power distributors and other electronic devices (such as halogen transformers) at the back of the appliances.

Appliance dimensions

3 Appliance dimensions

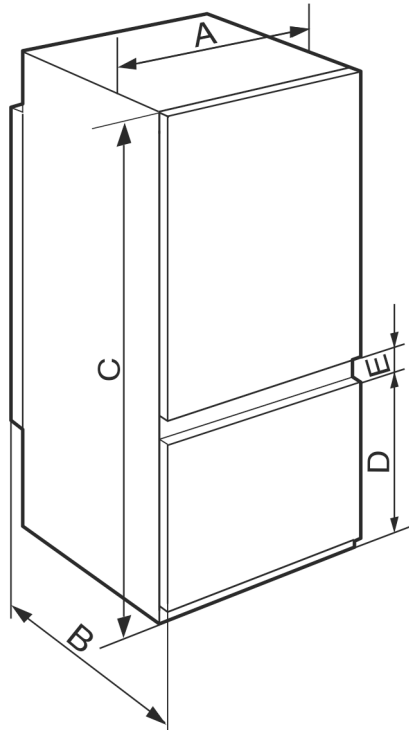


Fig. 2

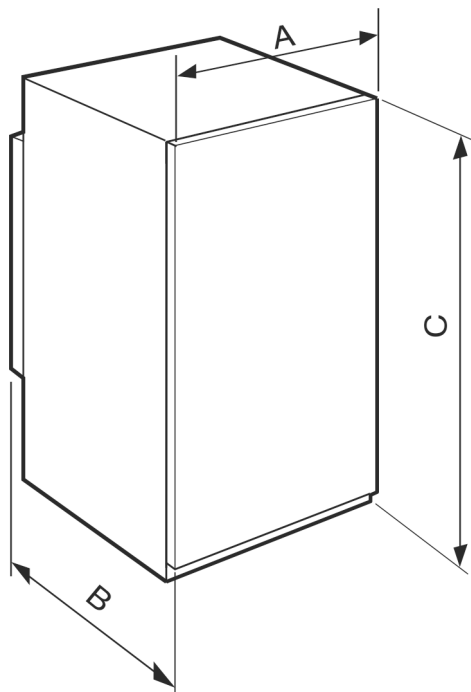


Fig. 3

	mm (in)
A	541 (21 5/16)

	mm (in)
B	545 (21 1/2)
C	1770 (69 11/16)
D	669 (26 3/8)
E	67 (2 5/8)

4 Recess dimensions

4.1 Internal dimensions

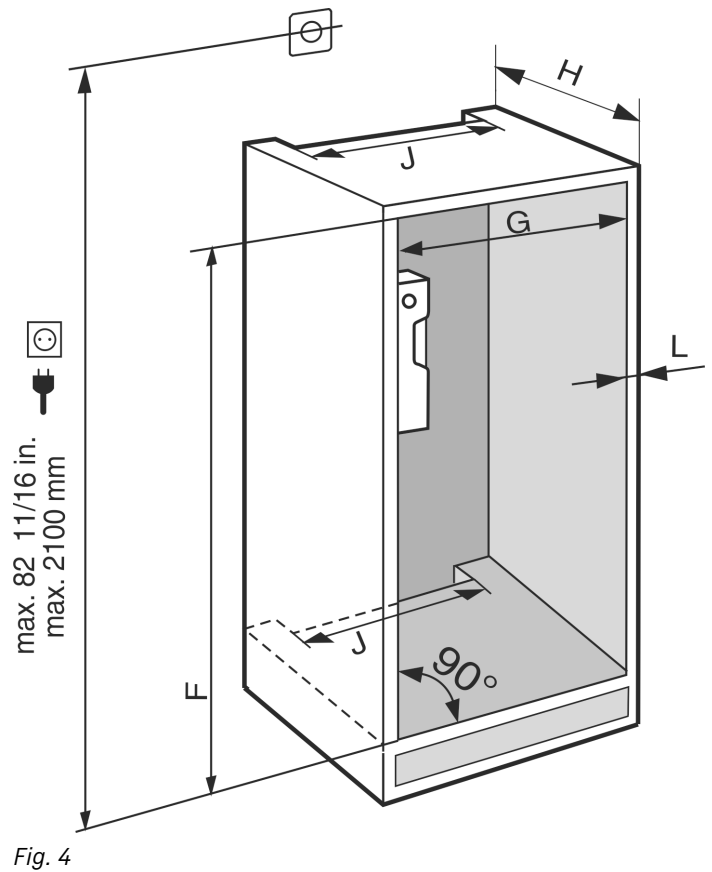


Fig. 4

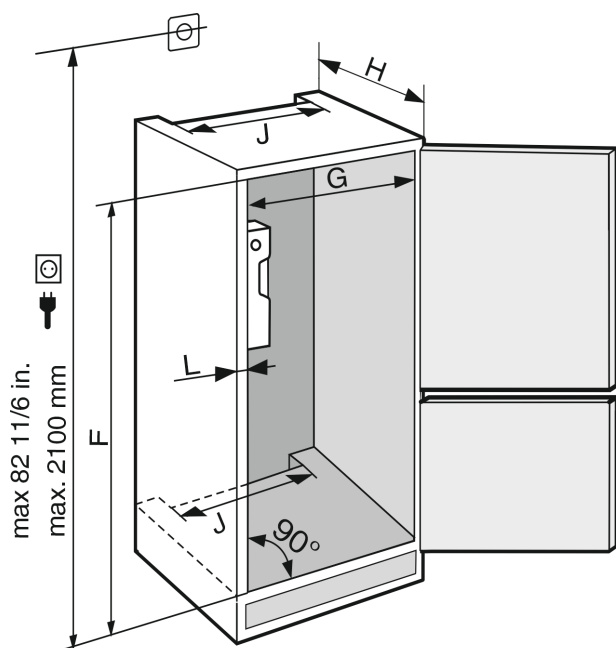


Fig. 5

	mm (in)
F	1772 to 1788 (69 3/4 to 70 3/8)
G	560 to 578 (22 to 22 3/4)
H	Min. 550, recommended 560 (Min. 21 5/8, recommended 22)
J	Min. 500 (19 11/16)
L	Max. 19 (3/4)

The specified energy consumption was determined with a kitchen unit depth of 560 mm (22 in). The appliance will work properly at a kitchen unit depth of 550 mm (21 5/8 in), but at a slightly higher energy consumption.

- ▶ Check the wall thickness of adjacent cabinets: It must be at least 16 mm (5/8 in).
- ▶ Only install the appliance in solid, fixed kitchen cabinets. Ensure that the cabinets cannot tip over.
- ▶ Align the cabinets with a spirit level and a try square. If necessary, level them by putting something underneath them.
- ▶ Ensure that the floor and the side panels of the cabinet are at right angles to each other.

5 Ventilation requirements

NOTICE

Covered vents!

Damage. Appliance can overheat, which can reduce the service life of various parts of the appliance and lead to functional impairments.

- ▶ Always ensure good ventilation.
- ▶ Always keep vents or ventilation grills in the appliance housing and in the kitchen structure (built-in appliance) unobstructed.
- ▶ Never block air vents of the fan.

Note

The clearance at the back of the appliance must be 13 mm (1/2 in). If the clearance is less than 13 mm (1/2 in), energy consumption may increase.

Sufficient ventilation is required for the operation of the appliance. The ventilation grids provided ensure an effective ventilation cross-section on the appliance of 200 cm² (31 in²). If you replace the ventilation grids with a cover plate the ventilation cross-section must be at least as large as the ventilation grid provided by the manufacturer.

6 Transporting the appliance

- ▶ On initial setup: Transport the appliance in its packaging.
- ▶ When transporting after initial setup (e.g. relocation): Transport the appliance unloaded.
- ▶ Transport the appliance upright.
- ▶ Use two people when transporting the appliance.

7 Unpacking the appliance

If the appliance is damaged check with the supplier immediately before connecting it.

- ▶ Check the appliance and packaging for damage during transport. If you suspect any damage, please contact your supplier immediately.
- ▶ Remove all materials that could prevent it from being installed properly or prevent proper ventilation from the back or the side panels of the appliance.
- ▶ Remove all protective films from the appliance. Do not use sharp or pointed objects for this.

8 Setting up the appliance



CAUTION

Risk of injury due to heavy appliance!

- ▶ Have two people transport the appliance to its installation site.

Disposal of packaging



WARNING

Danger of injury and damage due to the appliance being unstable!

The appliance can tip over.

- ▶ Secure the appliance as described in the instructions.



WARNING

Danger of fire and damage!

- ▶ Do not place devices that give off heat, e.g. microwaves, toasters, etc. on the appliance.

If possible, have a professional install the appliance in your kitchen cabinet unit.

Do not install the appliance without assistance.

8.1 After setup

- ▶ Remove all transport packaging.
- ▶ Clean the appliance (see User Guide, Cleaning the appliance).
- ▶ Write down the type (model, number), appliance name, appliance/serial number, date of purchase and dealer address in the designated fields (see User Guide, About the appliance).

9 Disposal of packaging



WARNING

Danger of suffocation from packaging materials and films!

- ▶ Do not allow children to play with packaging materials.

The packaging is made from recyclable materials:



- Corrugated card/cardboard
- Parts made of foamed polystyrene
- Films and bags from polyethylene
- Packing bands from polypropylene
- Wood frame nailed together with a polyethylene window*





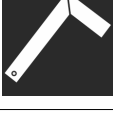





- ▶ Take the packaging material to an official collection point.

10 Explanatory symbols used



There is the risk of injury when doing this! Obey the safety instructions!

	These instructions apply to several models. Only perform this step if it applies to your appliance.
	To install, please follow the detailed description in the Guide.
	This section applies either to a single-door appliance or a double-door appliance.
	Choose one of the options: Appliance with right-hinged door or appliance with left-hinged door.
	Installation step necessary with IceMaker and/or InfinitySpring.
	Loosen or tighten screws slightly.
	Tighten the screws fully.
	Check to see if the next step applies for your model.
	Check the components are in correctly.
	Measure the specified measurement and adjust if necessary.
	Installation tool: Meter stick
	Tool for assembly: Cordless screwdriver and attachments
	Tool for assembly: Spirit level

	Tool for assembly: Size 7 and size 10 spanner
	Two people are required for this step.
	This step takes place at the selected location of the appliance.
	Aid for assembly: String
	Aid for assembly: Square
	Aid for assembly: Screwdriver
	Aid for assembly: Scissors
	Aid for assembly: Non-permanent marker pen
	Accessory kit: Remove components
	Dispose of components that are no longer needed.

11 Reversing the door

Tool

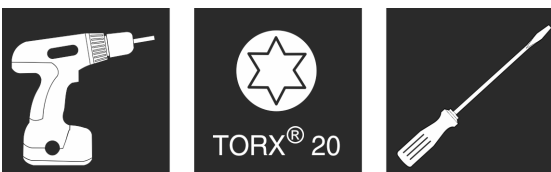


Fig. 6



WARNING

Danger of injury if the door falls out!

If the fasteners are not screwed on tightly enough, the door may fall out. This may lead to serious injuries. In addition, the door may not close, thus impairing the cooling performance of the appliance.

- Screw the upper and lower bearing brackets firmly to 4 Nm (3 ft lb).

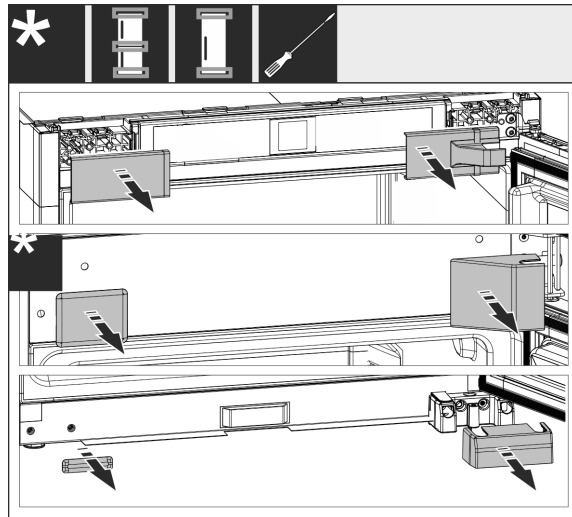


Fig. 7

- Remove any mounted covers, if necessary, use a slotted screwdriver to lift them off.

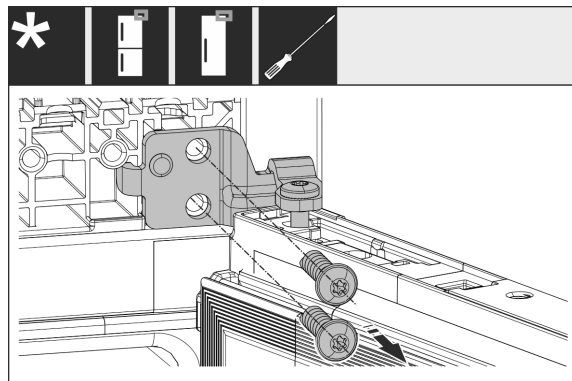


Fig. 8

- Loosen the screws on the bearing block. Secure the door against falling out.

Reversing the door

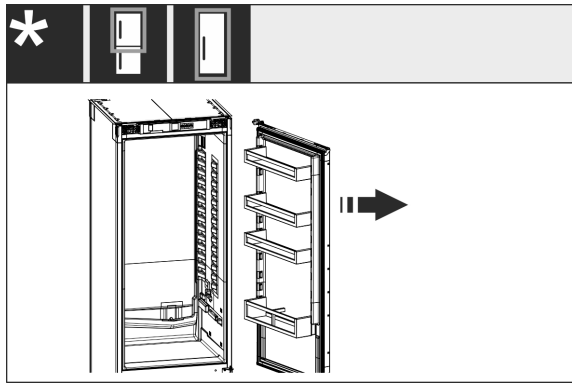


Fig. 9

- ▶ Remove the door together with the still screwed-on bearing bracket.

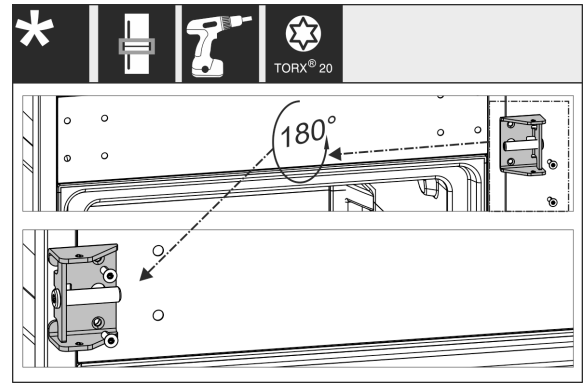


Fig. 12

- ▶ Shift the middle bearing block and screw it tightly.

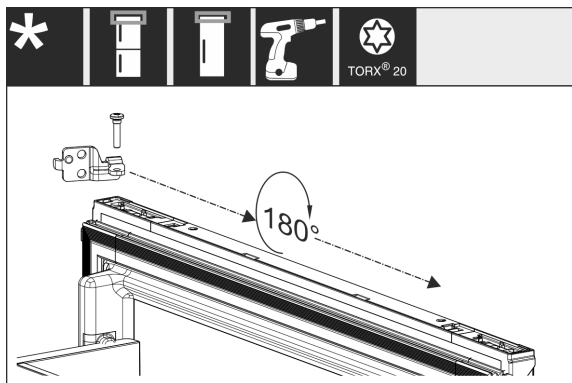


Fig. 10

- ▶ Turn and shift the bearing block by 180°.

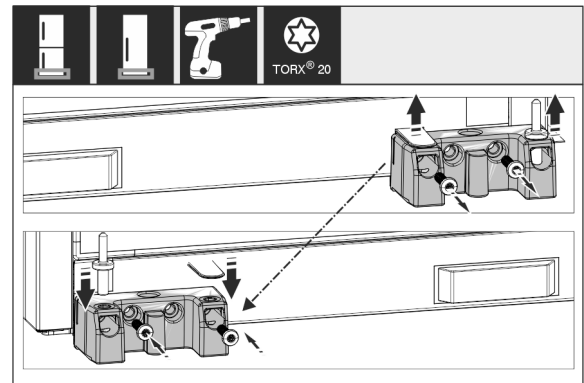


Fig. 13

- ▶ Shift the bottom bearing block and screw it tightly.

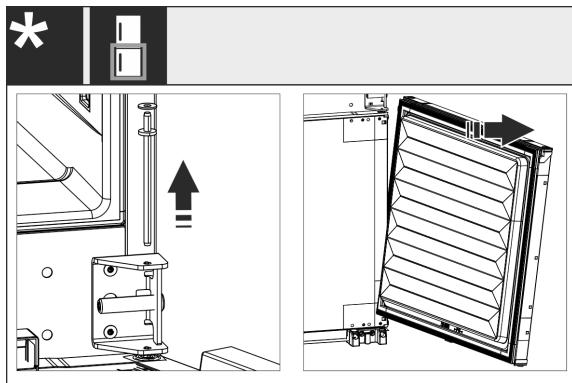


Fig. 11

- ▶ Removing the lower door: Pull out the middle bearing bolt with the disc. Secure the door against tipping out. Lift the door up.

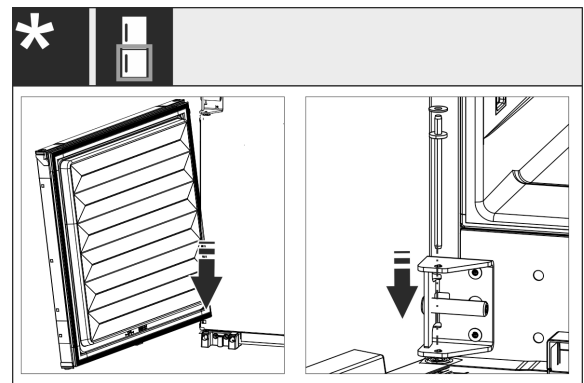


Fig. 14

- ▶ With combination units: Mount the lower door: Place on the hinge bolt at the bottom and rotate into place at the top. Insert the middle bearing bolt into the door from above through the middle bearing block.

Fit the appliance into the recess

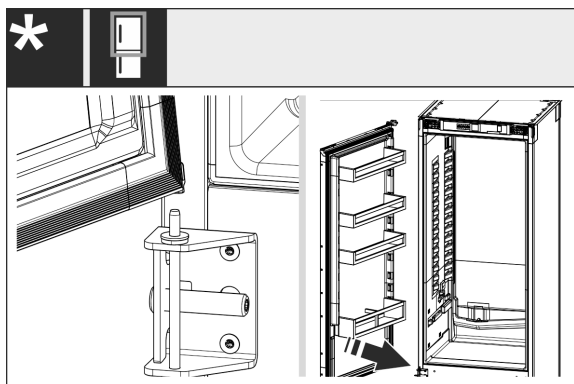


Fig. 15

- ▶ With combination units: Fitting the upper door: Place at the bottom of the middle bearing bolt.
- ▶ For single-door appliances: Fitting the door: Place it on the bearing pin at the bottom.

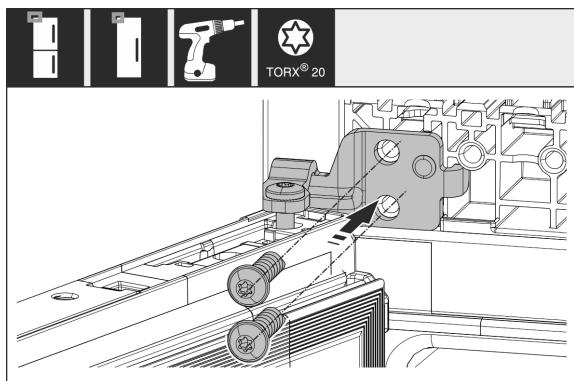


Fig. 16

- ▶ Screw the top bearing block to the housing.

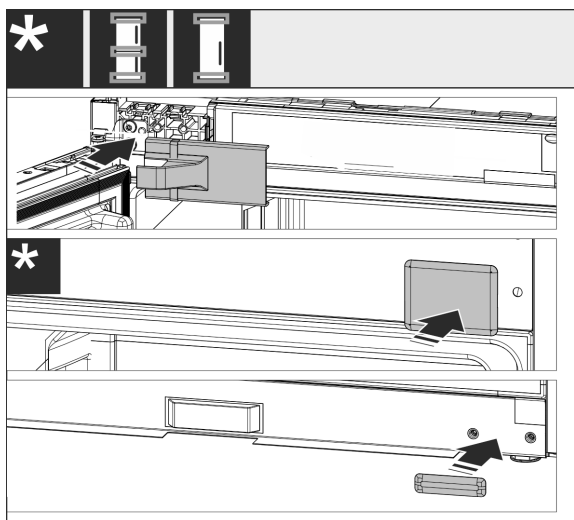


Fig. 17

- ▶ Refit the covers on the handle side. Only fit the hinge side cover after installing the appliance into the cabinet again.
- ▶ Check all screws and retighten if necessary.

12 Fit the appliance into the recess

Tools and aids

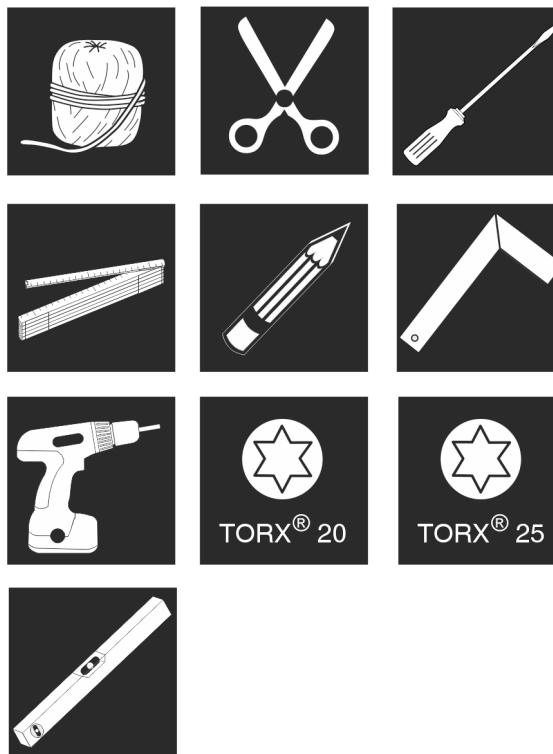


Fig. 18

Supplied installation parts

Fit the appliance into the recess

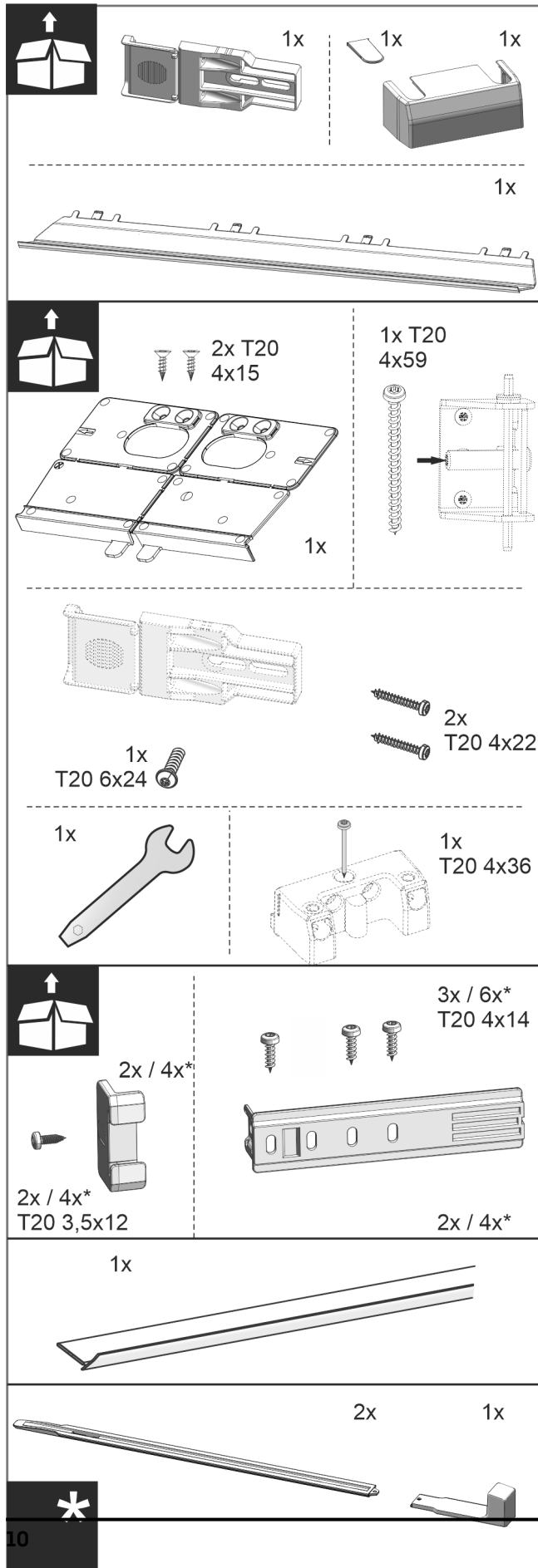


Fig. 19

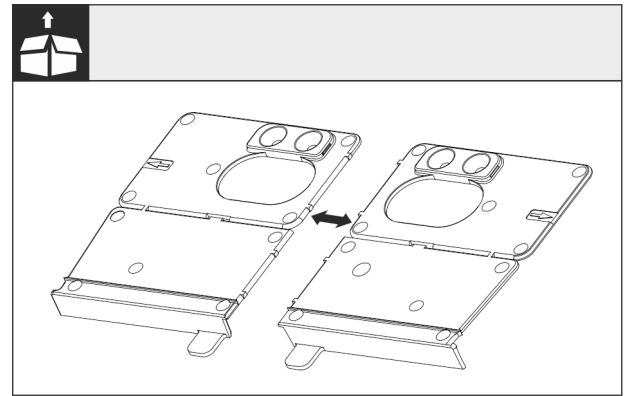


Fig. 20 Floor mounting bracket

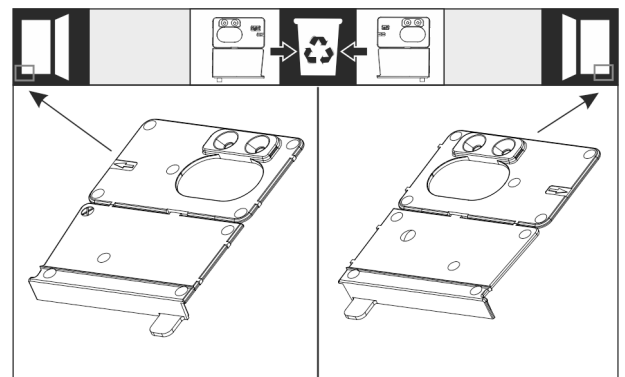


Fig. 21

- ▶ Separate the mounting bracket at the perforation. Dispose of either the right or left mounting bracket depending on the opening direction.

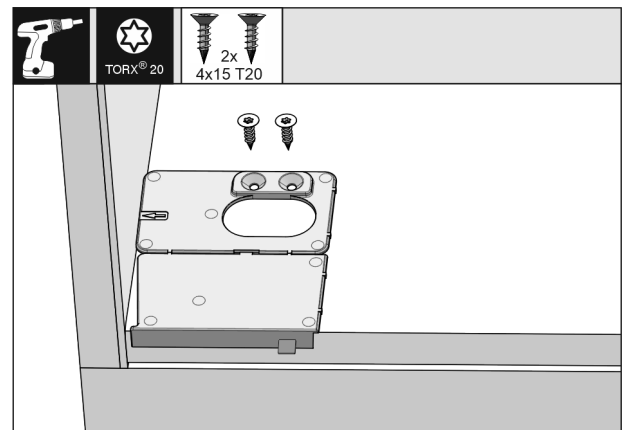


Fig. 22

NOTICE

Correct installation depth of the appliance.

- ▶ Using the mounting bracket ensures the correct installation depth of the appliance.

- ▶ Screw on the mounting bracket on the right or left (depending on the opening direction) flush to the side wall on the floor of the cabinet recess. The mounting bracket is always mounted on the handle side.

* Depending on model and options

Fit the appliance into the recess

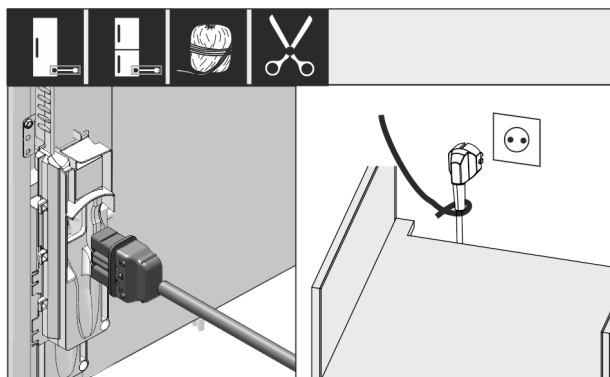


Fig. 23

- ▶ Remove the power cable from the package and plug it into the back of the appliance.
- ▶ Use a string to route the power plug cord to the accessible socket.

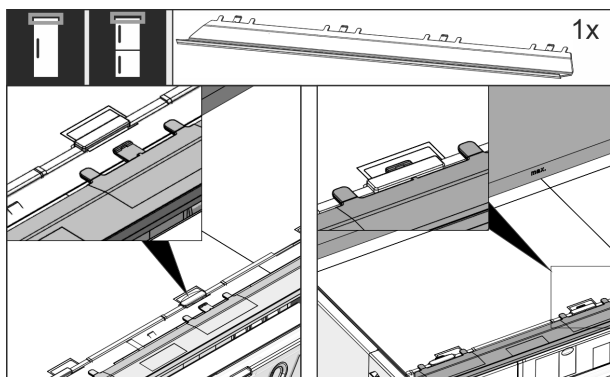


Fig. 24

- ▶ Insert the leveling panel. The panel can be moved to both sides.

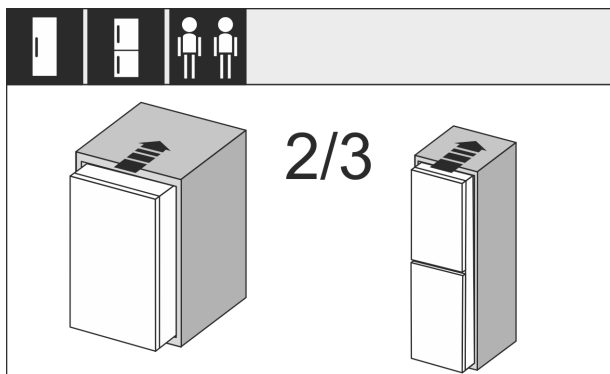


Fig. 25

- ▶ Slide the appliance 2/3 of the way into the cabinet recess.

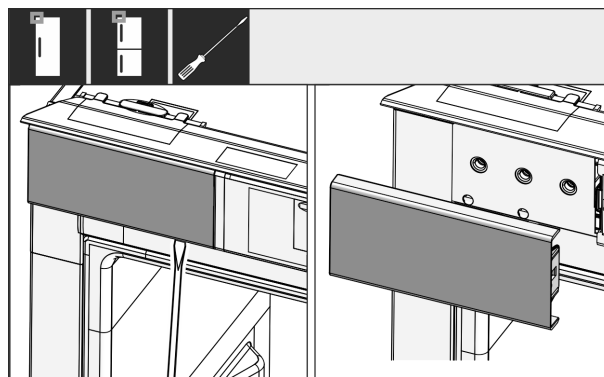


Fig. 26

- ▶ Use a screwdriver to loosen the cover on the top left and then remove it.
- ▶ Remove any other mounted covers.

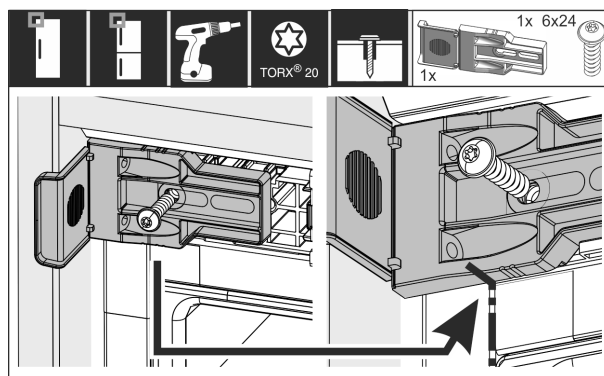


Fig. 27

- ▶ Screw on the mounting bracket. The bracket should no longer move. The marking of the mounting bracket should be located on the joint of the housing.

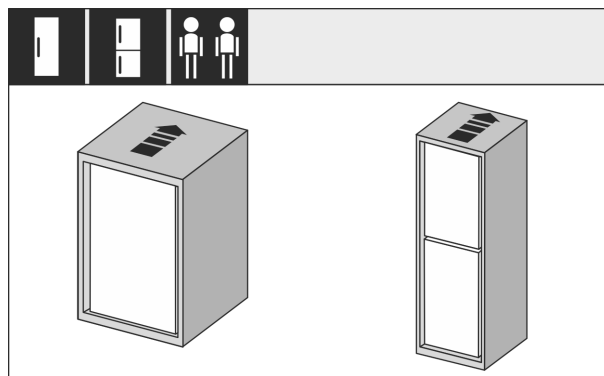


Fig. 28

Fit the appliance into the recess

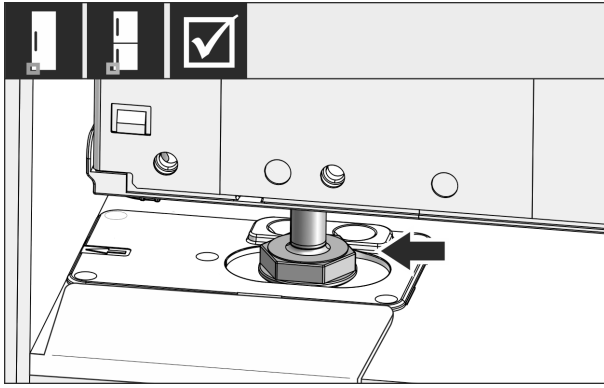


Fig. 29

- ▶ Now insert the appliance all the way into the unit recess. The adjustable foot must sit in the recess of the mounting bracket.

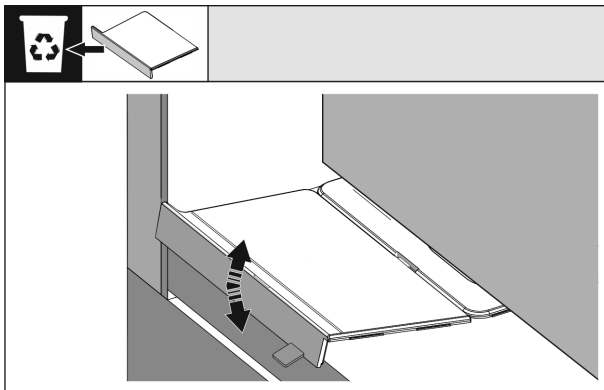


Fig. 30

- ▶ Removing the front stopper of the floor mounting bracket: Loosen the stopper by moving it and, if necessary, pull it off using pliers.

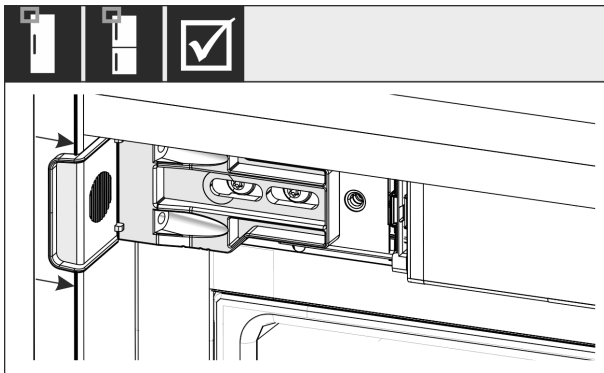


Fig. 31

- ▶ Check that the appliance is flush in the cabinet recess. The mounting bracket must be attached to the side wall of the cabinet recess.

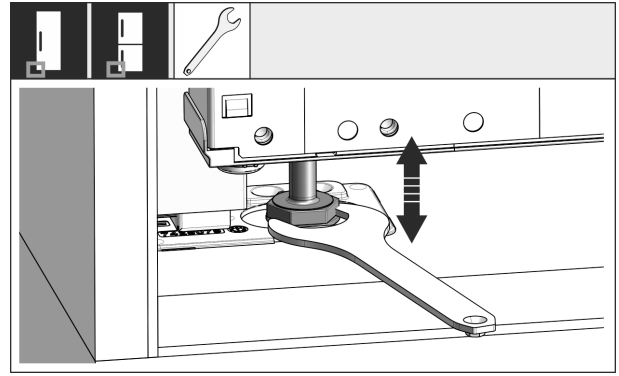


Fig. 32

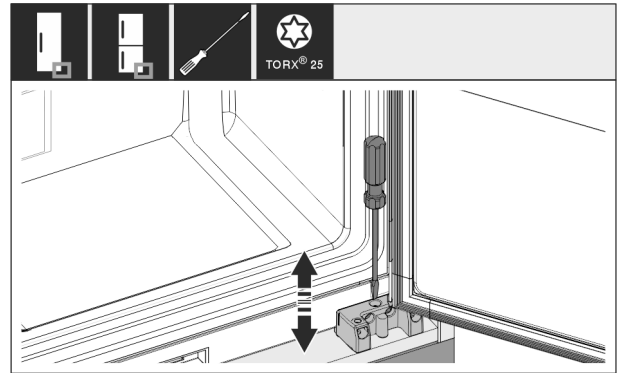


Fig. 33

- ▶ If necessary, use the adjustable feet to correct the tilt of the appliance.

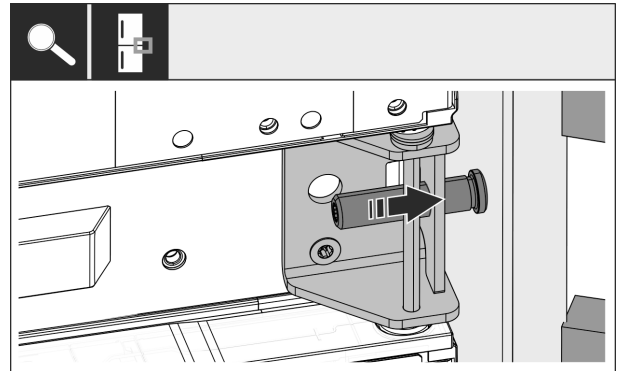


Fig. 34

- ▶ For combinations: Secure the appliance into the cabinet recess on the hinge side using the middle bearing block. Make sure that the cabinet wall is not damaged by the adjusting screw.

Fit the appliance into the recess

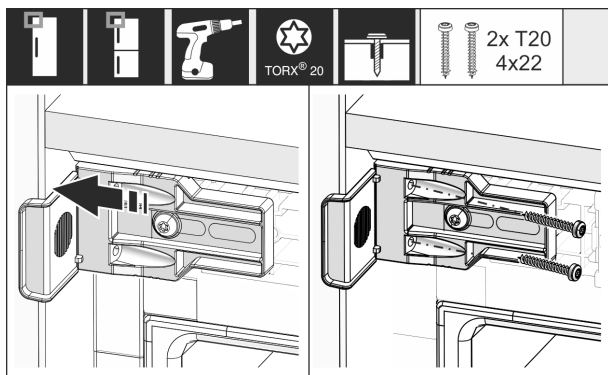


Fig. 35

- Tightly screw the bracket to the side wall of the cabinet recess.

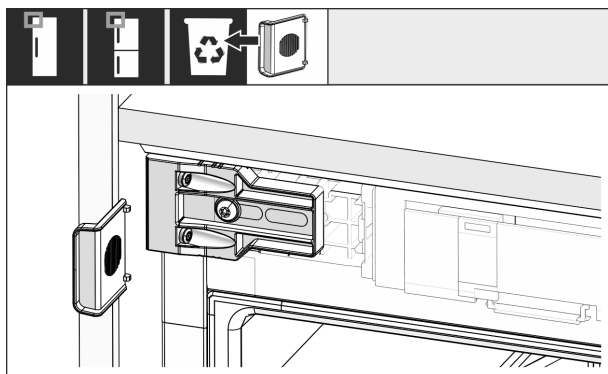


Fig. 36

- Remove the stop from the bracket on the handle side and dispose of it.

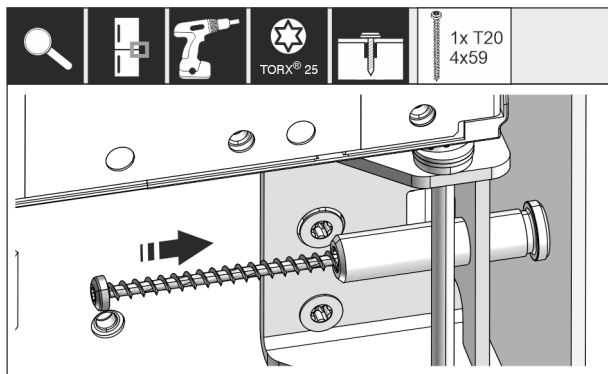


Fig. 37

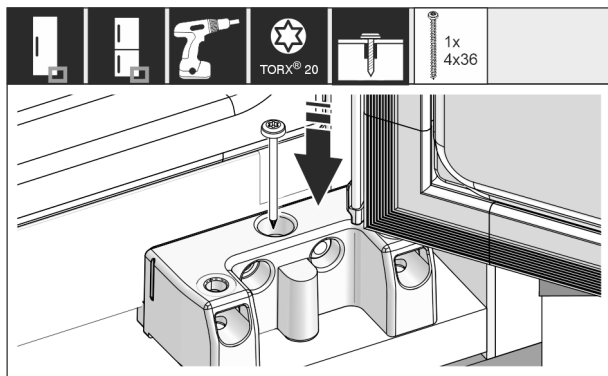


Fig. 38

- Screw the appliance into the recess on the hinge side using the middle and bottom bearing brackets.

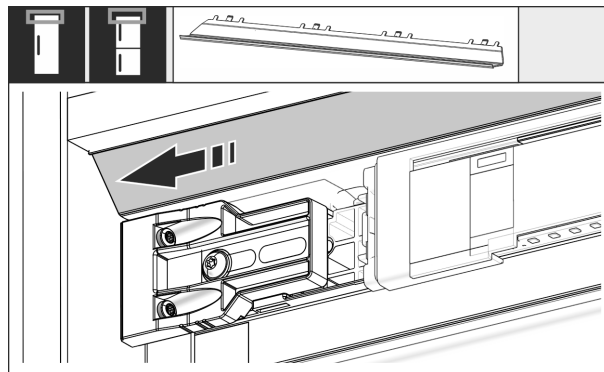


Fig. 39

- Move the cover panel so it sits flush on the side of the cabinet wall.

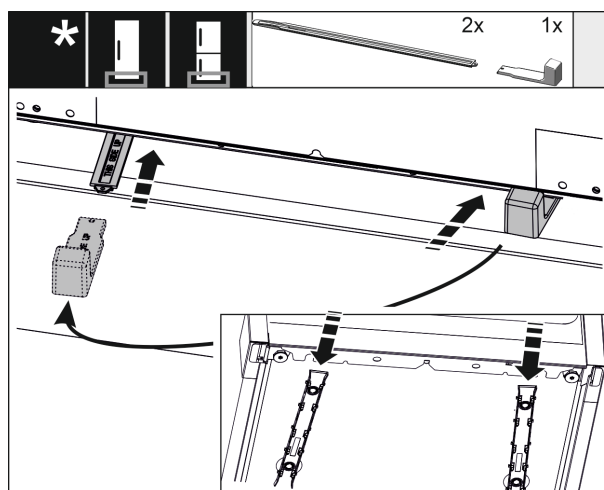


Fig. 40

The height adjustment is only supplied as standard for recess heights of 1400 mm (55 1/8 in) and above, and must be used for sound optimization.

- To stabilize the appliance at the back underneath: Fit the handle onto the rail of the height adjustment and push the rail into the appliance base. Remove the handle and do the same with the second rail.

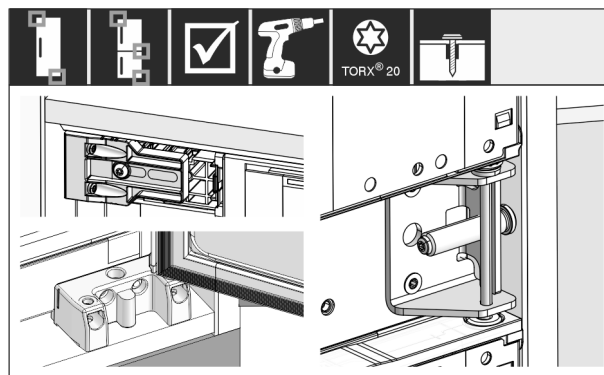


Fig. 41

- Check and retighten all screws.

Fit the appliance into the recess

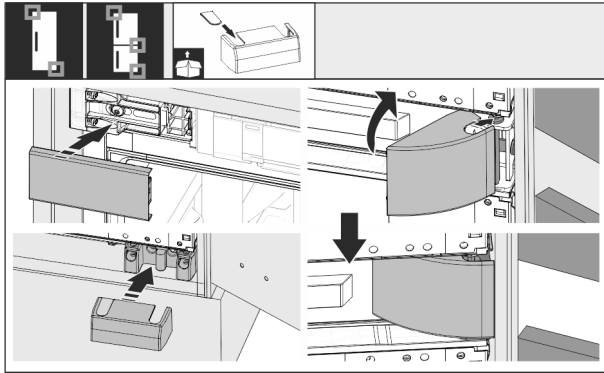


Fig. 42

- Put all covers on.

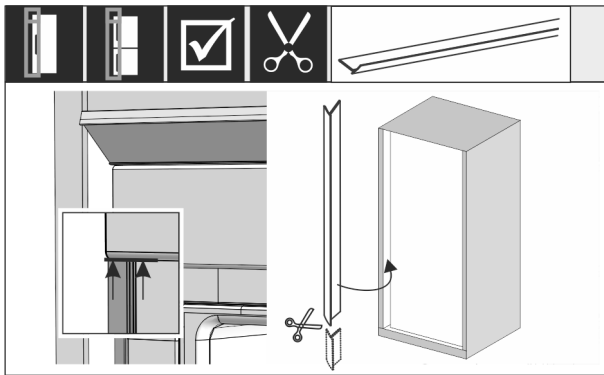


Fig. 43

- If necessary: Shorten the sealing strip as necessary with a sharp pair of scissors.
- Position the sealing strip below the top cover and press it in. The sealing strip is magnetic.

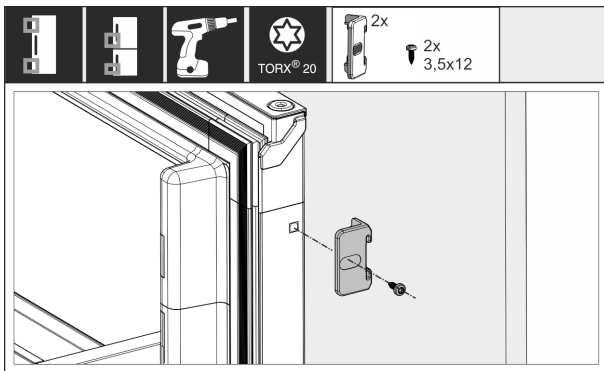


Fig. 44

Attaching the custom panel to the appliance door:

- Open the door fully.
- Mount the bracket onto the appliance door.

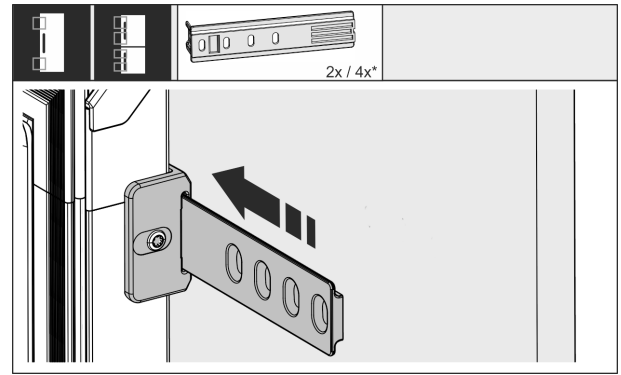


Fig. 45

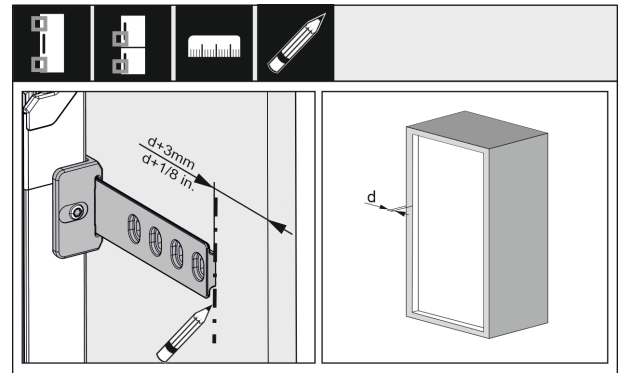


Fig. 46

The gap between the end of the rail and the outer edge of the custom panel is the thickness of the unit side wall + 3 mm (1/8 in).

- Mark using a non-waterproof pen.

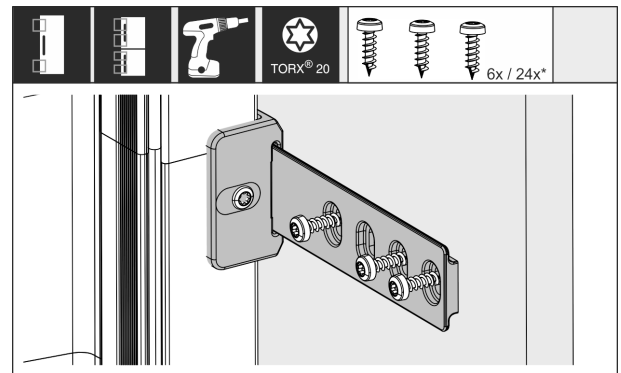


Fig. 47

- Push the rail into the bracket and screw it to the cabinet door.

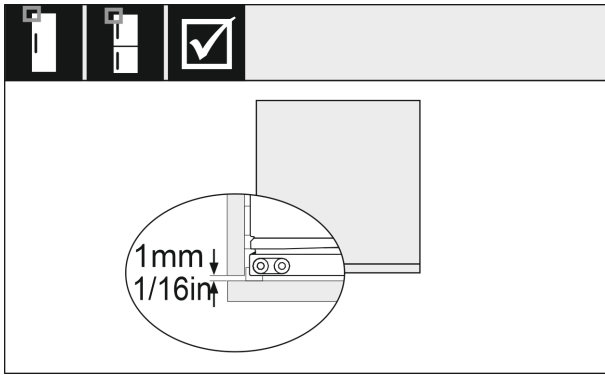


Fig. 48

- ▶ Check that the seal runs all the way around the appliance door.
- ▶ Make sure the custom panel does not open onto the side wall of the unit recess. Liebherr recommends a minimum gap of 1 mm (1/16 in).

13 Connecting the appliance



WARNING

Incorrect connection!
Risk of fire.

- ▶ Do not use an extension cord.
- ▶ Do not use a multipoint connector strip.

NOTICE

Incorrect connection!
Damage to the electronics.

- ▶ Do not connect the appliance to a stand-alone inverter, e.g. solar power systems and petrol generators.

Note

Only use the mains cable supplied.

- ▶ A longer mains cable can be ordered from Customer Service.

Make sure that the following requirements are fulfilled:

- The type of current and voltage at the installation site complies with the information on the serial tag .
- The socket is grounded and fused in accordance with regulations.
- The tripping current for the fuse is between 10 and 16 A.
- The socket is easily accessible.
- ▶ Check the electrical connection.
- ▶ Connect the mains plug to the power supply.
- ▷ The Liebherr logo appears on the screen.
- ▷ The display switches to the standby symbol.



home.liebherr.com/fridge-manuals

EN Combined fridge-freezer for integrated use, door slider

Issue date: 20231031

Part number index: 7088292-00

For Service in the U.S.: Liebherr Service Center
Toll Free: 1-866-LIEBHER or 1-866-543-2437
Service-appliances.us@liebherr.com
PlusOne Solutions, Inc.
3501 Quadrangle Blvd, Suite 120
Orlando, FL 32817

For Service in Canada: Liebherr Service Center
Toll Free: 1-888-LIEBHER or 1-888-543-2437
www.euro-parts.ca
EURO-PARTS CANADA
39822 Belgrave Road, Belgrave, Ontario, N0G 1E0
Phone: (519) 357-3320 | Fax: (519) 357-1326