



# HWgw 5100

Fully Integrated Wine Cabinet



# LIEBHERR

Quality, Design and Innovation

The TipOpen, white glass **HWgw 5100** multi-temperature wine cabinet is sure to compliment any kitchen, bar, or living room design. The temperature in each of the two sophisticated temperature zones can be set between 41°F and 68°F, ensuring optimal storage conditions for reds, whites, and champagnes. The HWgw 5100 provides storage flexibility for up to 51 Bordeaux bottles thanks to its beech wood shelving and six storage areas at varying heights, ideal for grouping different bottles types and sizes. A flexible clip-on labelling system ensures a clear overview of your wine collection. Alternatively, you can display your wines on the high-quality foldable presentation shelf.

The **HWgw 5100**'s chic white glass door, featuring TipOpen technology, offers seamless integration into handle-free kitchen cabinetry. When the glass door is gently tapped, TipOpen technology partially opens the cabinet, facilitating further opening. If the door is not fully opened within three seconds, the door will self-close, ensuring that ideal air humidity is maintained within cabinet. This wine cabinet can be installed in a Side-by-Side combination for maximum wine storage.

The **HWgw 5100**'s activated charcoal filter provides superb air quality by removing contaminating substances from the cabinet air. The insulated glass door with UV protection and LED lighting, alongside the activated charcoal filter, protect your finest wines from busy kitchen influences such as light and damaging odors.



## Fully Integrated Wine Cabinet

### HWgw 5100 Vinidor

LED

Wine

Tip  
Open

Soft  
System

Telescopic  
Rails

ADA  
Compliant



|   |
|---|
| Energy consumption (kWh/y)              |
| Estimated Yearly Energy Cost in US \$*  |
| Sound rating dB(A)**                    |
| Total capacity cu.ft. (l)               |
| Max. No. of Bordeaux bottles (0.75 l)   |
| Number of shelves                       |
| Shelves on telescopic rails             |
| Shelf material                          |
| Presentation shelf                      |
| Electronic control                      |
| Temperature range °F (°C)               |
| Temperature zones                       |
| Interior light                          |
| Door alarm                              |
| Safety thermostat                       |
| Activated Charcoal filter               |
| Door type                               |
| SoftSystem                              |
| Door hinges                             |
| Product dimensions (H/W/D) in. (cm)     |
| Cut out dimensions (H/W/D) in. (cm) *** |
| Net weight lbs. (kg)                    |
| Voltage V/Hz                            |

|   |
|---|
| 245   |
| –   |
| 36  |
| 6.0 (169)   |
| 51  |
| 6   |
| 4   |
| Beech wood shelves  |
| 1   |
| LCD temp. display for both wine zones, touch electronic<br>+41°F to +68°F (+5°C to +20°C) |
| 2   |
| LED lighting permanently on, dimmable   |
| acoustic  |
| yes   |
| yes   |
| white insulated glass door, handle and frame free   |
| yes   |
| right, reversible   |
| 48" / 21 15/16" / 22 9/16" (121.8/55.7/57.2)  |
| 48 1/16" / 22 1/16" / 21 11/16" (122/56/55)   |
| 149.9 (68.0)  |
| 115/60  |

This unit is also available as HWgb 5100 in elegant black

\* Estimated energy cost will depend on utility rates and use. Estimated energy cost based on a national average electricity cost of 12 cents per kWh.

\*\* Noise output – according to EN 60704-3.

\*\*\* Cut out height does not include toe kick.



**German Engineering:** Our superior products offer premium quality, cutting edge design, and innovative features that best fit your lifestyle. The use of high quality materials, perfectly detailed finishes, and elite cooling components are combined with the latest production processes, resulting in an outstanding cooling product.



Soft System

**SoftSystem:** Liebherr's SoftSystem technology gently cushions the automatic door closing, preventing vibrations which can affect the quality of your finest wines.



Electronic Control

**Touch Control:** The electronic touch system allows temperatures to be set to the exact desired degree, from 41°F to 68°F. Temperatures are clearly displayed on the LCD display for accurate readings of your desired settings.



LED

**LED Ceiling Light:** The energy efficient LED ceiling light not only emits virtually no heat for the optimal storage of wines, but is dimmable for a pleasant ambient light within the cabinet, as well as a cool glow for the room.



**Beech Wood Shelving:** Liebherr wine cabinets are fitted with beech wood shelving, mounted on telescopic rails for easy and gentle access to wines. The handmade, untreated wood pullout shelves can hold a variety of bottle types.



**Presentation Shelf:** Show off your finest wines with Liebherr's presentation shelf, displaying your wines at a 45°, visible through the appliance door.



**Activated Charcoal Filter:** Optimum air quality is guaranteed in Liebherr wine cabinets thanks to the easy-to-replace FreshAir activated charcoal filter, which purifies incoming air, while filtering out damaging odors.



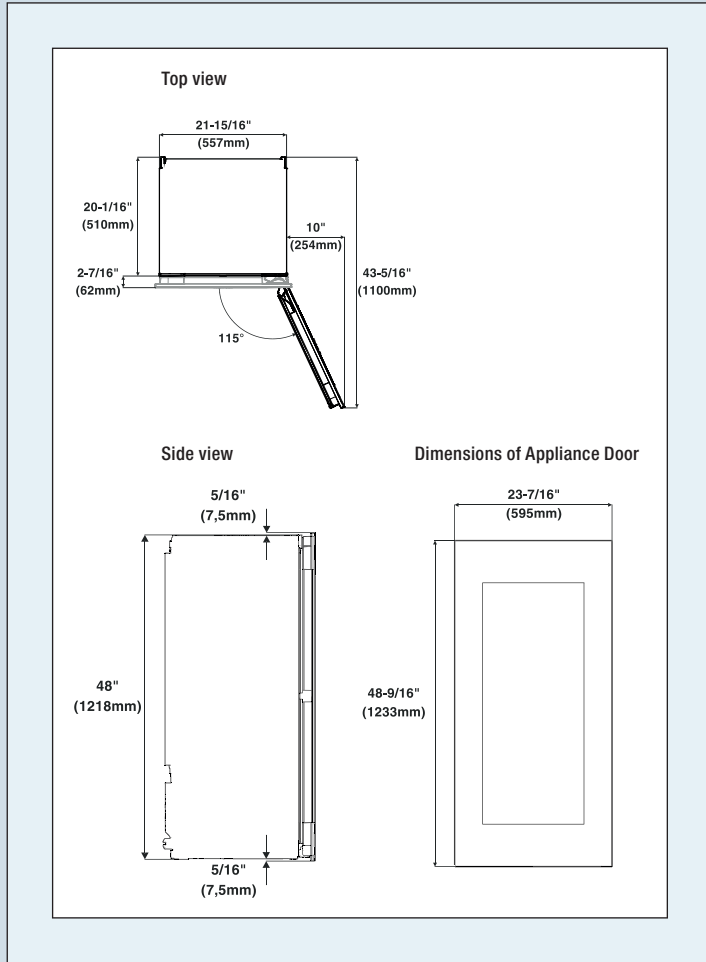
Tip Open

**TipOpen technology:** When the door is gently tapped, TipOpen technology partially opens the appliance, facilitating further opening. If the door is not opened fully within three seconds, the door will self-close, ensuring that ideal air humidity is maintained within the cabinet.

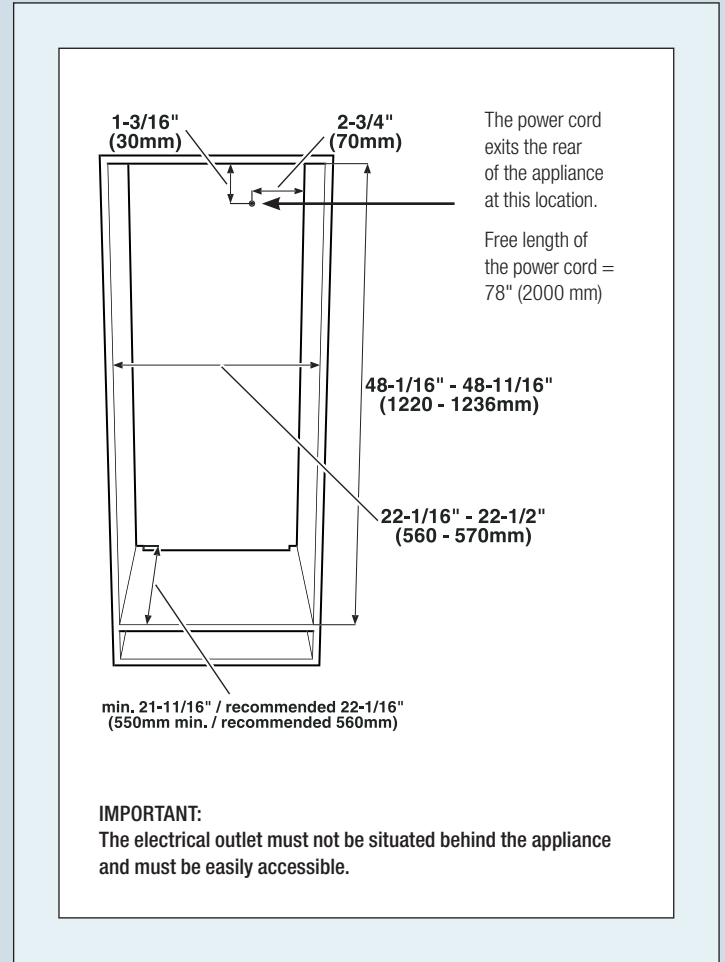


**UV Protection:** In order to minimize the exposure of light which can damage the maturity of a wine, Liebherr wine cabinets are fitted with special UV-resistant insulated glass, simultaneously protecting and presenting your finest wines.

Product Dimensions



Cabinet Dimensions



Ventilation Requirements

