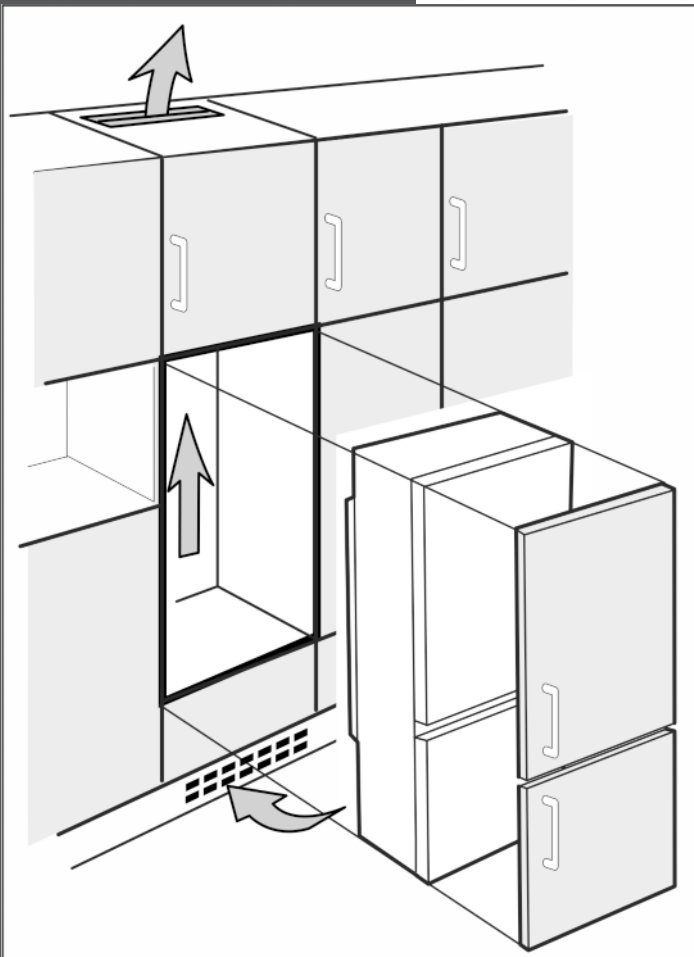


LIEBHERR

Installation Instructions

Built-in combined fridge-freezer



HC 1000B / HC 1001B
20190325 7086402 - 00

General safety information

Contents

1	General safety information.....	2
2	Transporting the appliance.....	2
3	Setting up the device.....	2
4	Appliance dimensions.....	3
5	Recess dimensions.....	4
6	Cabinet door.....	4
7	Air circulation in the kitchen cabinet.....	6
8	Reversing the door.....	7
9	Installing the appliance in the recess.....	9
10	Disposal of packaging.....	16
11	Connecting the appliance.....	16

The manufacturer is constantly working to improve all models. Therefore please understand that we reserve the right to make design, equipment and technical modifications.

To get to know all the benefits of your new appliance, please read the information contained in these instructions carefully.

The instructions apply to several models, so there may be differences. Sections which only apply to certain appliances are indicated with an asterisk (*).

Instructions for action are marked with a ►, the results of action are marked with a ▷.

1 General safety information

- Read and follow these instructions. They contain safety advice which is important for safe and problem-free installation and operation. Always read and follow the safety advice.
- It is important that the guidelines and instructions in this manual are followed so that the appliance is correctly installed and operates properly. Read and understand all information in this manual before the appliance is installed.
- Risk of asphyxiation and crushing:
Remove doors and shelves from old appliances to prevent them from becoming a potential hazard to children at play.
- Only install, connect and dispose of the appliance in accordance with the instructions. Pay particular attention to “niche dimensions” (see 5) and “ventilation and fume extraction in kitchen units” (see 7).
- The socket must be easily accessible so that the appliance can be disconnected from the

mains quickly in an emergency. It must not be behind the back of the appliance.

	DANGER	indicates a hazardous situation, which if not avoided, will result in death or serious injury.
	WARNING	indicates a hazardous situation, which if not avoided, could result in death or serious injury.
	CAUTION	indicates a hazardous situation, which if not avoided, will result in minor or moderate injury.
	NOTICE	indicates a hazardous situation, which if not avoided, could result in damage to property.
	Note	indicates useful advice and tips.

2 Transporting the appliance



CAUTION

Risk of injury or damage if incorrectly transported.

- Transport the appliance in its packaging.
- Transport the appliance upright.
- Do not move the appliance on your own.

3 Setting up the device



WARNING

Risk of fire due to short circuit.

If the power cable or plug of the appliance or another appliance and the back of the appliance touch each other the power cable or plug will be damaged by the vibrations of the appliance which could lead to a short circuit.

- Install the appliance so that it does not touch any plugs or power cables.
- Do not connect the appliance or other appliances to the sockets on the back of the appliance.



WARNING

Risk of fire due to moisture!

If live parts or the power cord get wet, this can cause a short circuit.

- The appliance is designed for use in enclosed spaces. Do not operate the appliance in open space or in damp areas or where there is spray.
- Only operate the appliance after it has been installed.



WARNING

Risk of fire due to refrigerant.

The refrigerant contained within the appliance is environmentally friendly, but flammable. Leaking refrigerant can ignite.

- ▶ Do not damage the pipes of the refrigerant circuit.



WARNING

Danger of fire and damage!

- ▶ Do not place devices that give off heat, e.g. microwaves, toasters, etc. on the appliance.

NOTICE

Risk of damage caused by water condensate!

- ▶ Do not install this device directly beside another fridge/freezer compartment.

NOTICE

Risk of damage for the finished floor surface!

- ▶ Protect the finished floor surface before you uncrate the unit.



WARNING

Danger of damage from overheating. May restrict operation.

- ▶ Keep ventilation openings, in the appliance enclosure or in the built-in structure, clear of obstruction.



WARNING

Danger of tilting.

- ▶ To avoid a hazard due to instability of the appliance, it must be fixed in accordance with the instructions.

- If possible, have a professional install the appliance in your kitchen cabinet unit.
- If the appliance is damaged check with the supplier immediately before connecting it.
- The floor of the installation site must be horizontal and level.
- Do not install the appliance in direct sunlight or next to an oven, heater or similar heat source.
- Do not install the appliance on your own. It is better to do this with two or more people.
- The more refrigerant is in the appliance, the larger the room must be where the device is located. In the case of a leak, a flammable gas-air mixture may be created in a room that is too small. For every 0.28 oz (8 g) of refrigerant, the installation space must be at least 35.5 ft³ (1 m³). Specifications regarding the refrigerant contained within the appliance can be found on the rating plate inside the appliance.
- If the appliance is installed in a very damp environment condensate water may form on the outside of the appliance. Always ensure good ventilation.

- The load-bearing capacity of the floor must be sufficient for the weight of the appliance plus about 1200 pounds (544 kg) of food weight.
- The electrical socket must be assessed precisely to ensure the correct position and fuse.
- Do not restrict ventilation. Sufficient ventilation is required for the appliance to operate correctly. The ventilation grid fitted at the factory guarantees an effective ventilation gap on the appliance of 31 in.² (200 cm²). If you replace the ventilation grid with a fascia, this must have at least the same size or larger ventilation gap as the manufacturer's ventilation grid.
- ▶ Note down the type (model, number), appliance name, appliance or serial number, date of purchase and manufacturer's address in the place provided for this in the Use & Care Manual.
- ▶ Remove all materials that could prevent it from being installed properly or prevent proper ventilation from the back or the side panels of the appliance.

After installation:

- ▶ Remove protective films, adhesive tapes and transport safety devices, etc.

Note

- ▶ Clean the appliance (see operating instructions, "Cleaning the appliance" section).

4 Appliance dimensions

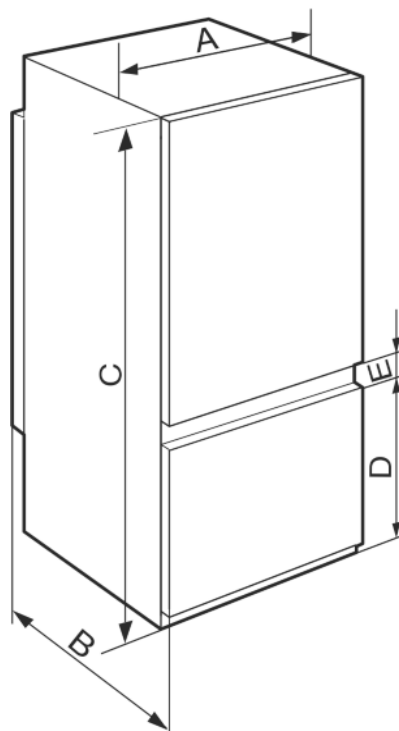


Fig. 1

Recess dimensions

	in.	mm
A	21 1/4 in.	540 mm
B	21 7/16 in.	544 mm
C	69 11/16 in.	1770 mm
D	26 3/8 in.	669 mm
E	2 5/8 in.	67 mm

5 Recess dimensions

This is a built-in appliance and is therefore completely enclosed by a kitchen cabinet. The kitchen cabinet surrounding the appliance must be designed exactly in accordance with the specified fitting dimensions and must allow sufficient air circulation to ensure correct operation of the appliance.

Use high quality internal hinges *Fig. 2 (1)* to attach the cabinet doors. The hinges should be adjustable to ensure that the doors are exactly perpendicular when closed. The maximum permissible opening angle of the hinges is 110°. When selecting hinges, take into account the projecting length (thickness) of the hinges. There must be a 21-7/16 in. (544.5 mm) gap between the left internal wall of the cabinet and the projection (thickness) of the hinge.

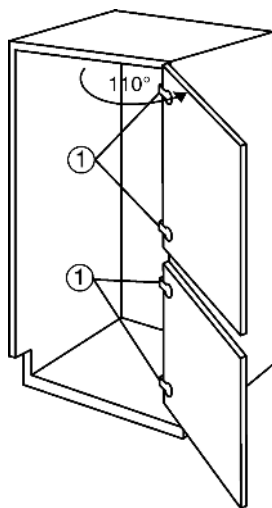


Fig. 2

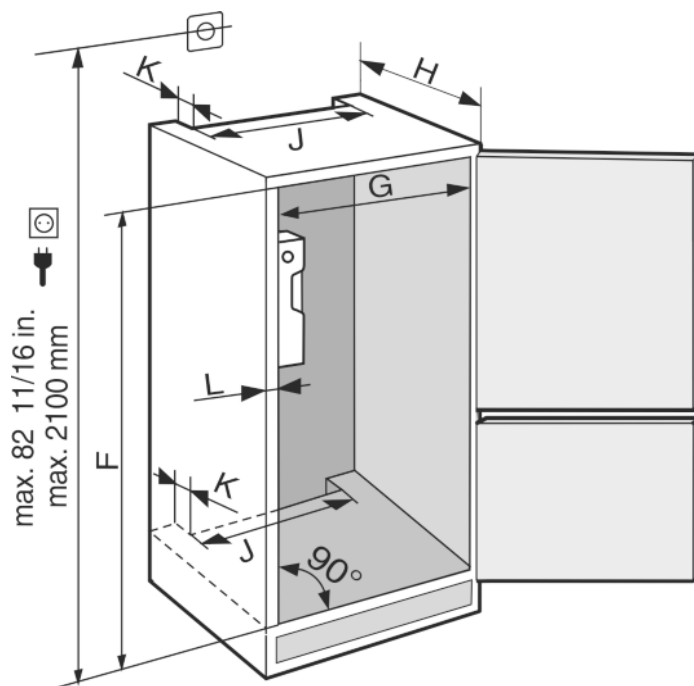


Fig. 3

	in.	mm
F	69 3/4 — 70 3/8	1772 — 1788
G	22 — 22 3/4	560 — 578
H	min. 21 5/8, recommended 22	min. 550, recommended 560
J	min. 19 11/16	min. 500
K	min. 1 5/8	min. 40
L	max. 3/4	max. 19

The declared energy consumption was determined with a kitchen cabinet depth of 560 mm. The appliance is fully functional with a kitchen cabinet depth of 550 mm but will have a slightly increased level of energy consumption.

- ▶ Check the wall thickness of adjacent cabinets: It must be at least 5/8 in. (16 mm).
- ▶ Only install the appliance in solid, fixed kitchen cabinets. Ensure that the cabinets cannot tip over.
- ▶ Align the cabinets with a spirit level and a try square. If necessary level them by putting something underneath them.
- ▶ Ensure that the floor and the side panels of the cabinet are at right angles to each other.

6 Cabinet door

- Two doors are required for the kitchen cabinet: a top one for the fridge section and a bottom one for the freezer section.
- The doors must be at least 5/8 in. (16 mm) and no more than 3/4 in. (19 mm) thick.
- When the two doors are closed the gap between the top and bottom door must be at least 1/8 in. (3 mm).

Cabinet door

- The gap between the cabinet doors must be the same as the gap between the appliance doors.
- There must be a gap of at least 1/8 in. (3 mm) between the door and the cupboard door above it (if there is one).
- The width of the cabinet doors depends upon the style of the kitchen and the size of the gap between the door panels of the cupboard. Normally a vertical gap of 1/8 in. (3 mm) should be left between the cabinet doors.
- The upper edges of the top door and the bottom door should be the same as the on the cupboard(s) next to it if there are any other cupboards.
- The unit doors must be assembled flat and free from tension.

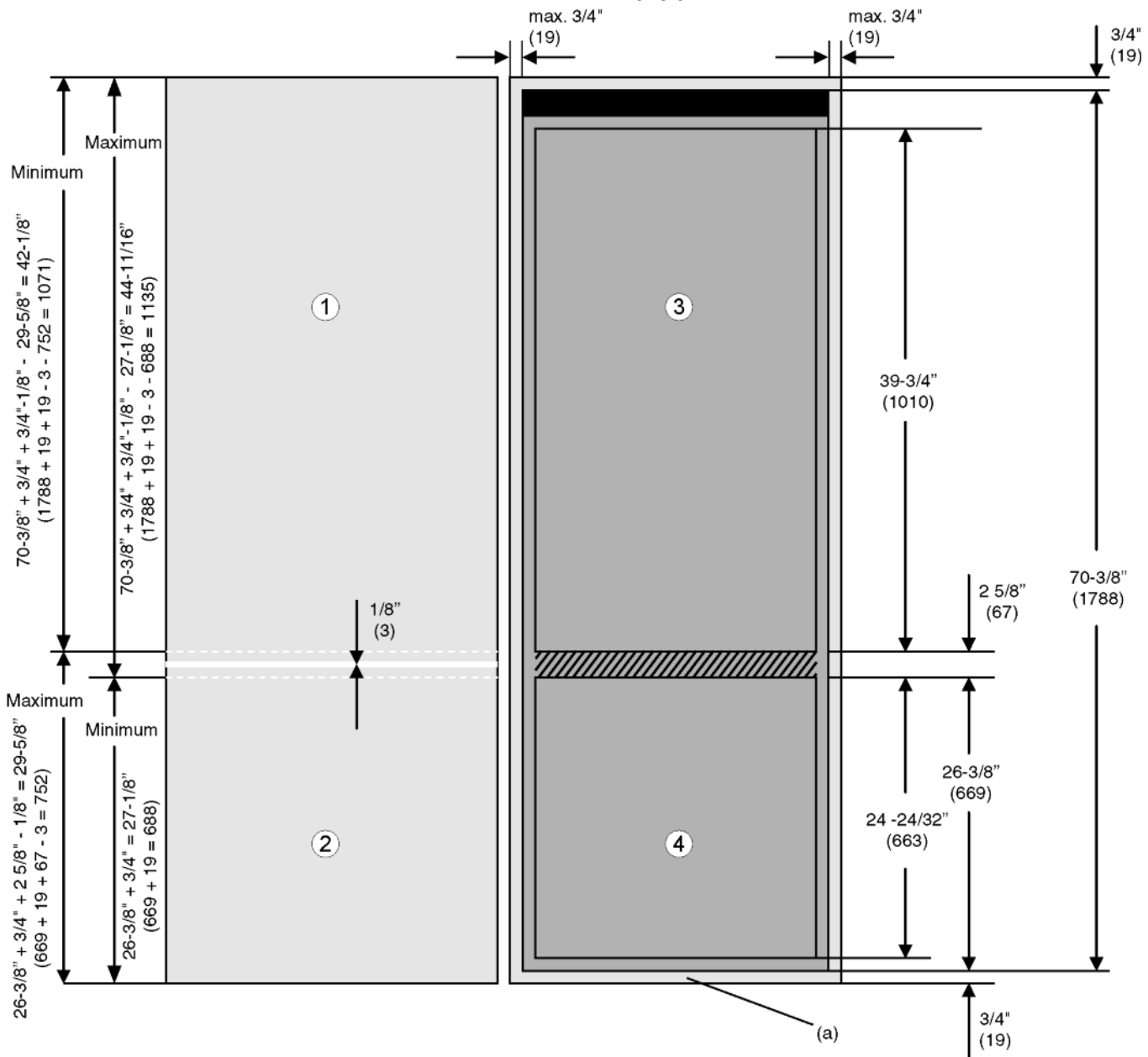


Fig. 4
 The height of the freezer door is 24-24/32 in. (663 mm).
 ► In order to cover the bottom section of the appliance: extend the plate height to 26-3/8 in. (669 mm).
 The thickness of the floor plate is normally 3/4 in. (19 mm).
 ► In order to cover the front of the floor plate Fig. 4 (a): extend the plate height to 26-3/8 in. + 3/4 in. = 27-1/8 in. (669 mm + 19 mm = 688 mm).

Air circulation in the kitchen cabinet

If no cabinet doors have yet been fitted, the gap between the freezer section door *Fig. 4 (4)* and the fridge section door *Fig. 4 (3)* is 2-5/8 in. (67 mm). After the cabinet doors have been fitted the gap between the two doors *Fig. 4 (1,2)* is about 1/8 in. (3 mm) and must be inside the hatched area.

Of course, the final door height depends on the size of the gap on the doors of the kitchen cabinets that are to the right and left of the fitted appliance cabinet.

If there are other cabinets next to the fitted appliance cabinet they normally have a gap between two drawers or doors. Depending on the design of your kitchen these gaps are about 1/8 in. (3 mm) wide.

► In this case increase the plate height to 26-3/8 in. + 3/4 in. + 2-5/8 in. - 1/8 in. = 29-5/8 in. (669 mm + 19 mm + 67 mm - 3 mm = 752 mm).

The height of the **refrigerator door leaf** is calculated as follows:

► Total height of the cupboard (i.e. 70-3/8 in. (1788 mm)) plus thickness of the cover and floor plate (normally 3/4 in. (19 mm)) minus the height of the freezer cabinet door leaf (xxx in. (xxx mm)) as calculated above and minus the gap width (approximately 1/8 in. (3 mm)): 70-3/8 in. + 3/4 in. + 3/4 in. - xxx in. - 1/8 in. = 71-3/4 in. - xxx in. (1788 mm + 19 mm + 19 mm - xxx mm - 3 mm = 1823 mm - xxx mm)

7 Air circulation in the kitchen cabinet

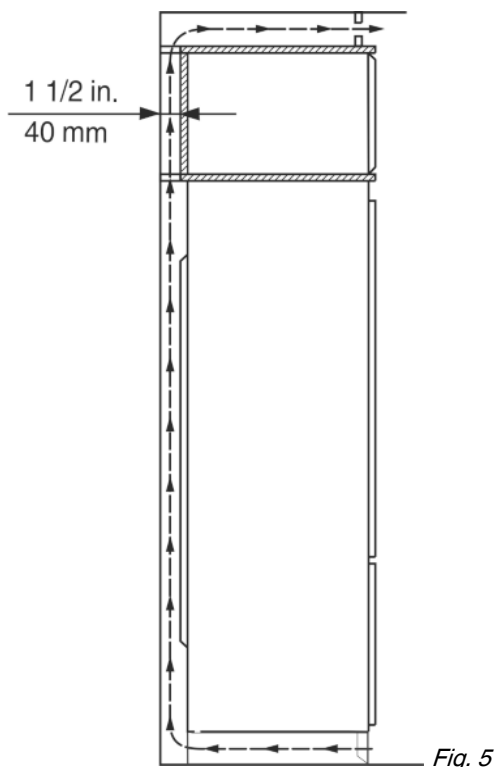


Fig. 5

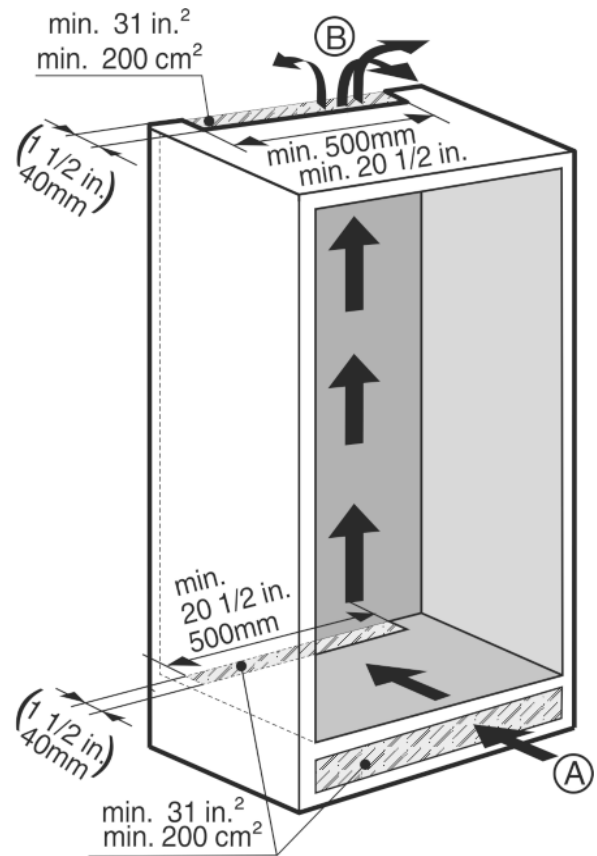


Fig. 6

- There must be an effective ventilation gap of at least 31 in² (200 cm²) per appliance for the air inlet *Fig. 6 (A)* and the air outlet *Fig. 6 (B)*.
- Basically, the bigger the ventilation gap, the more energy-saving the operation of the appliance.
- The depth of the ventilation shaft on the back wall of the cabinet must be at least 1-1/2 in. (40 mm).

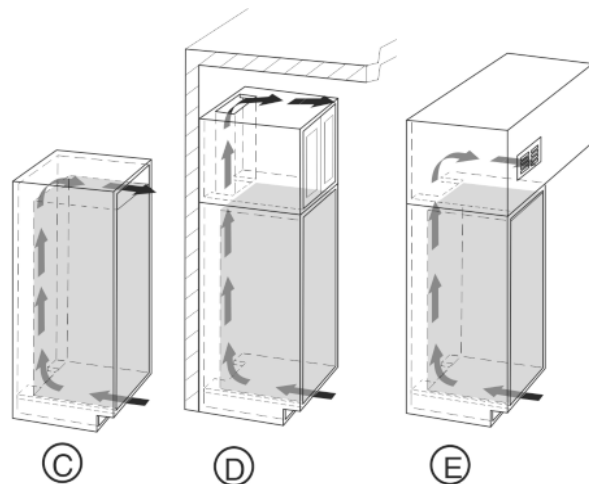


Fig. 7

- The top ventilation gap can be set up either directly above the appliance with an optional ventilation grid *Fig. 7 (C)* near the ceiling, above the cabinet *Fig. 7 (D)* or as an air vent in a false ceiling *Fig. 7 (E)*.

Ventilation from underneath through the floor of the kitchen cabinet can be set up with the supplied ventilation grid *Fig. 8 (3)* or an air vent with at least a 31 in² (200 cm²) cross section area. If you use the supplied ventilation grid *Fig. 8 (1)* please proceed as follows:

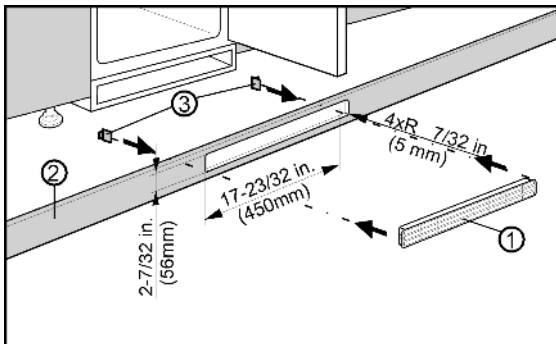


Fig. 8

- ▶ Cut a hole 17-23/32 in. (450 mm) wide and 2-7/32 in. (56 mm) high in the floor of the kitchen cabinet.
- ▶ Insert the ventilation grid *Fig. 8 (1)* into the cut out in the cabinet floor *Fig. 8 (2)*.
- ▶ Slide the snap connectors *Fig. 8 (3)* into the grid from behind until the hooks touch the cabinet floor.
- ▶ Fit the cabinet floor (with the ventilation grid snapped into place) into the cabinet.

8 Reversing the door

Tool required:

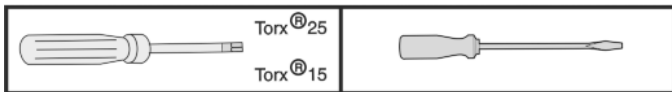


Fig. 9



WARNING

Risk of injury if the door falls out.

If the fasteners are not screwed on tightly enough, the door may fall out. This can result in serious injury. In addition, the door may not close, thus impairing the cooling performance of the appliance.

- ▶ Firmly tighten the top and bottom bearing brackets (to 4 Nm).

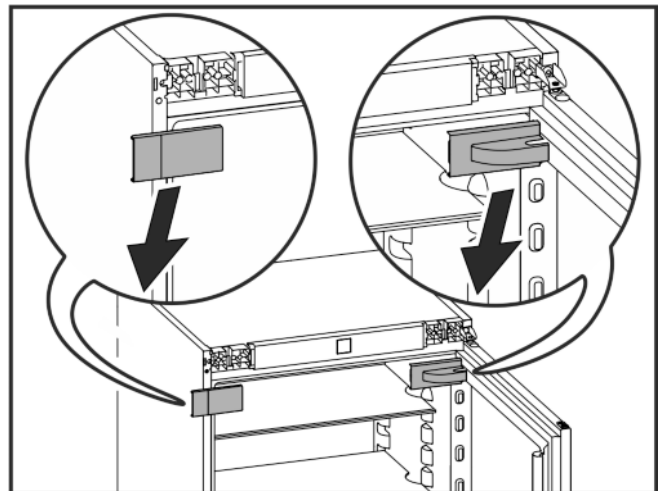


Fig. 10

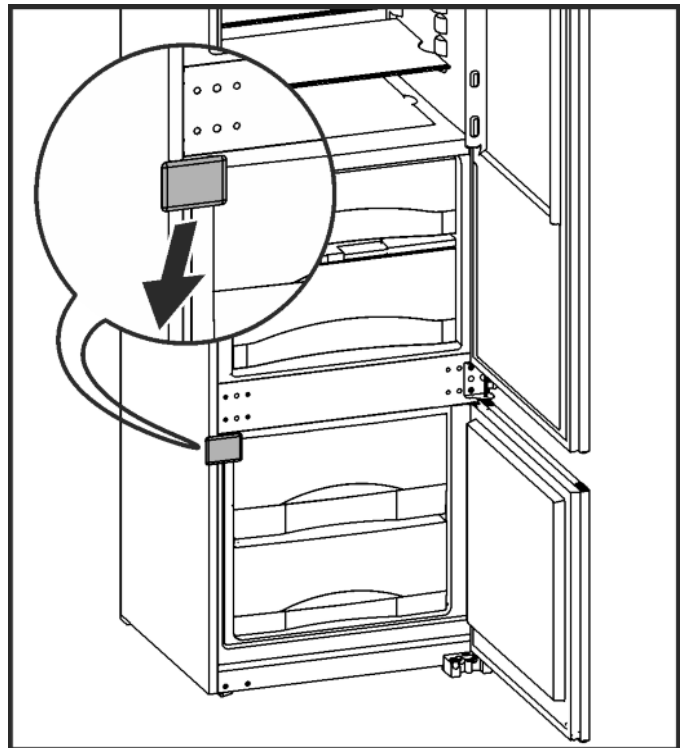


Fig. 11

- ▶ Lift off covers. If necessary use a slotted screwdriver.

Reversing the door

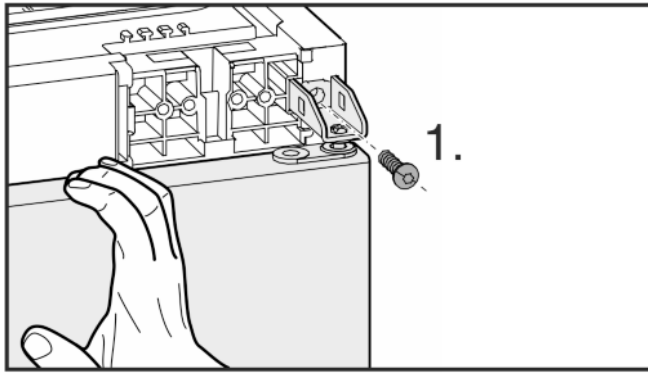


Fig. 12

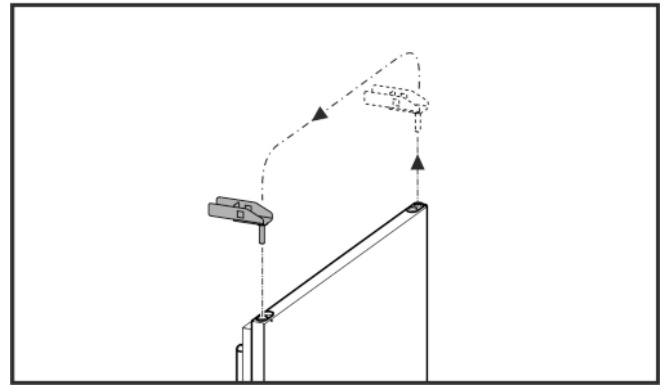


Fig. 14
▶ Swap the bearing.

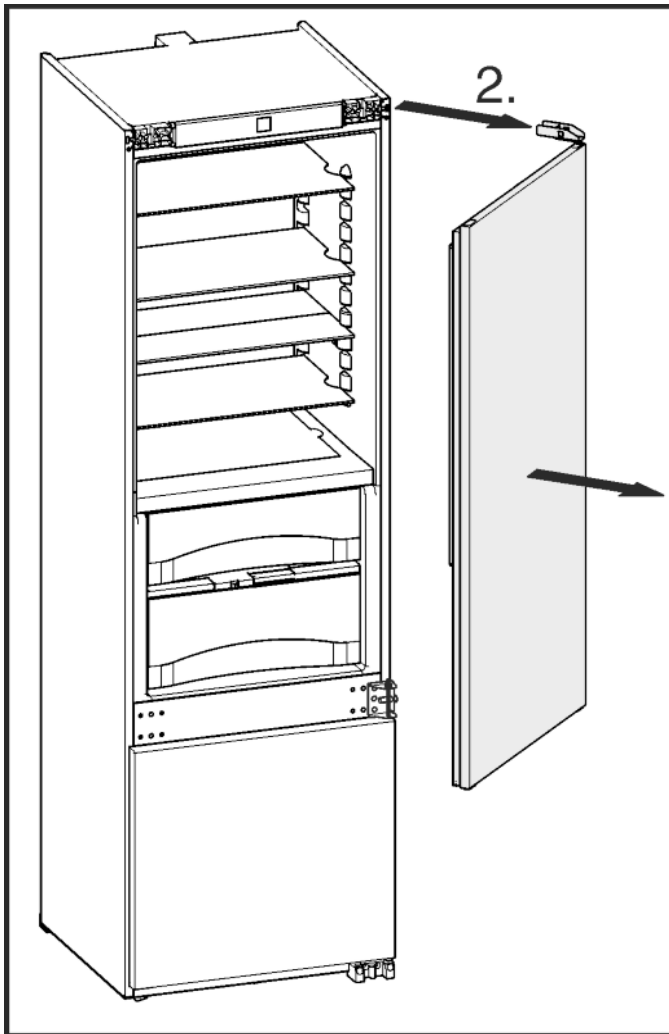


Fig. 13

- ▶ Removing the upper door: Undo the screw (1) and remove the door with the bearing (2).

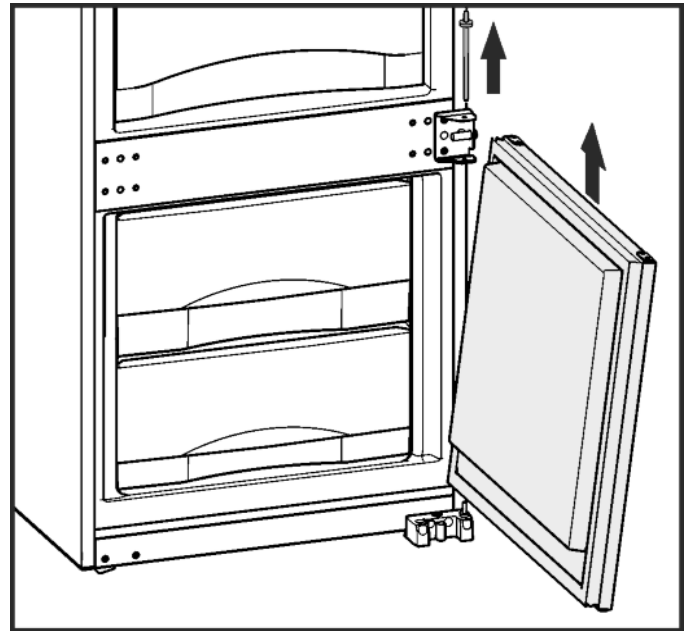


Fig. 15
▶ Removing the lower door: Pull the bearing bolt out and pull the door upwards to remove it.

Installing the appliance in the recess.

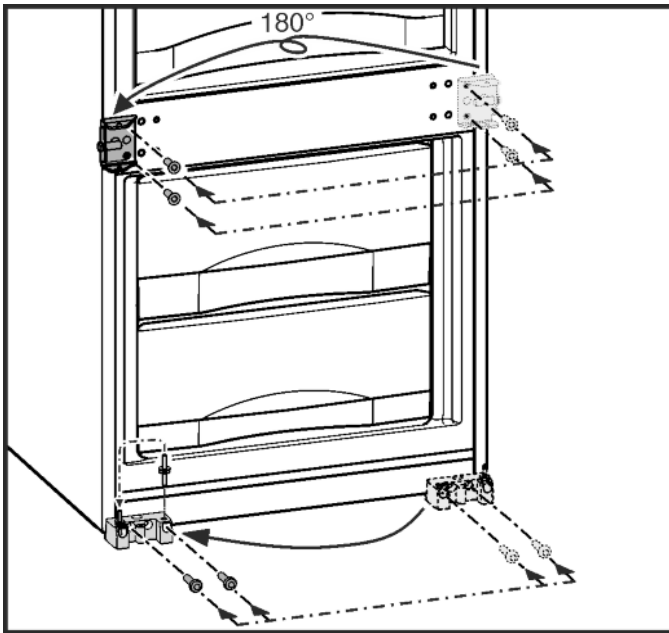


Fig. 16

- Swap the middle and bottom bearing.

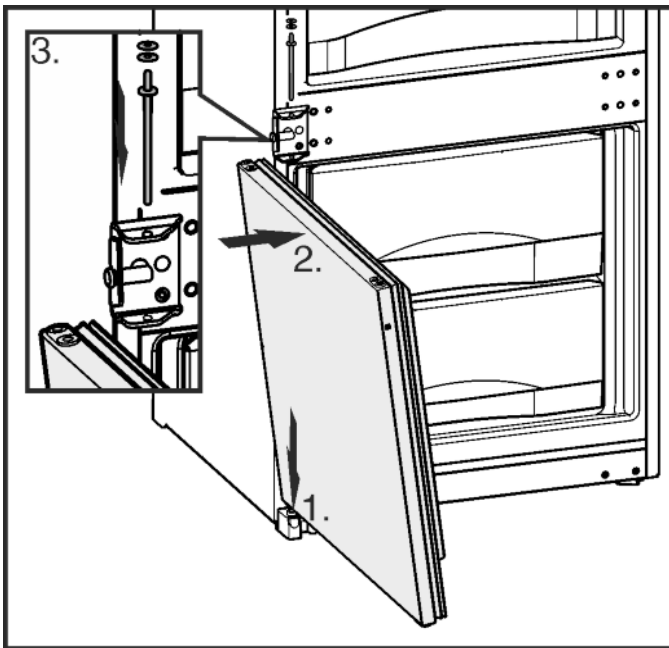


Fig. 17

- Fitting the lower door: Position from below (1) and swivel in at the top (2). Insert the bearing bolts from the top through the middle bearing bolt into the door (3).

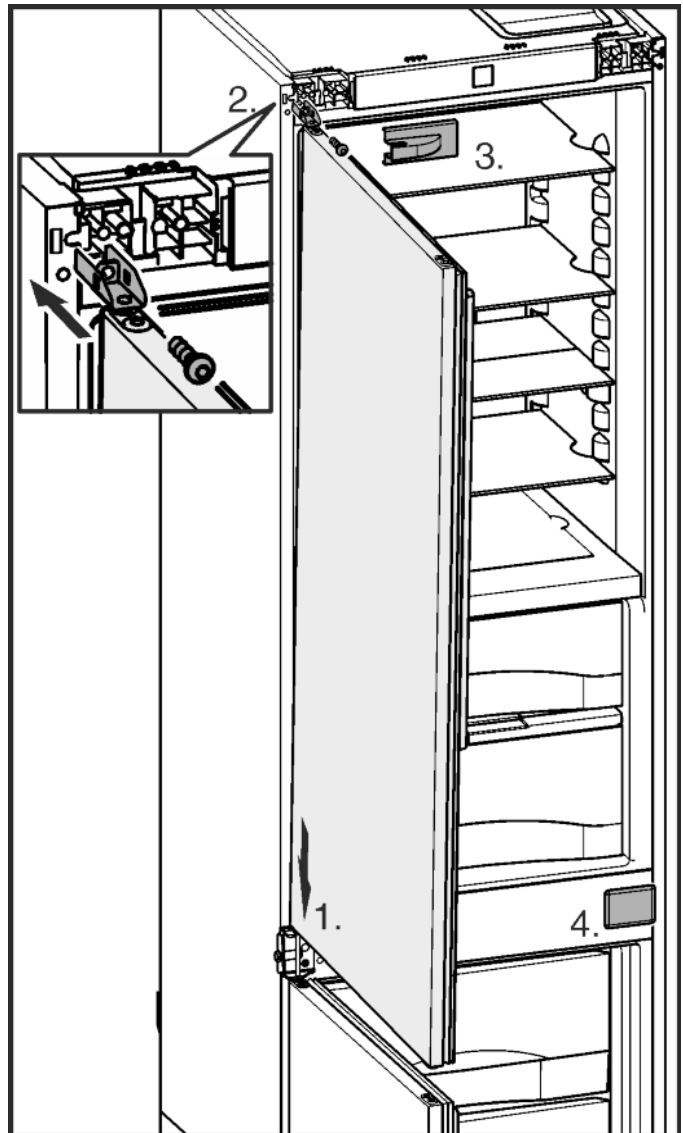


Fig. 18

- Fitting the upper door: Position on the bearing brackets at the bottom (1). Insert the top bearing bracket and tighten the screw (2).
- Fit the covers on the handle side again (3,4). Only fit the hinge side cover after installing the appliance into the cabinet again.
- Check all screws and retighten if necessary.

9 Installing the appliance in the recess.








WARNING

Risk of fire due to short circuit.

- When inserting the appliance into the recess do not squash, jam or damage the power cable.
- Do not operate the appliance with a faulty power cable.

Installing the appliance in the recess.

	There is the risk of injury when doing this. Obey the safety instructions.
	The instructions apply to several models. Only perform this step if the appliance is fitted with the corresponding feature.
	Select one of the alternatives shown.
	Only undo the screw. Don't take it out.
	Check the screws and if necessary tighten them.

The following assembly parts are supplied with the appliance:

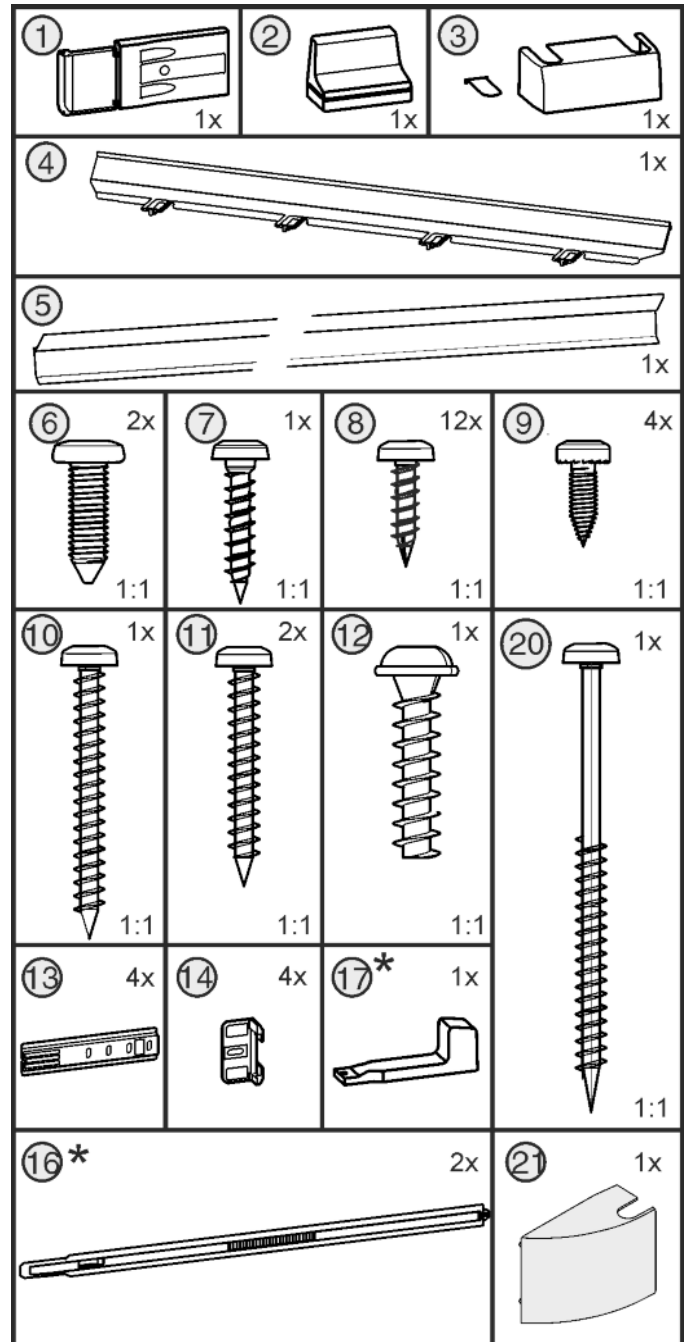


Fig. 19

The following tools are supplied with the appliance:



Fig. 20

The following tool is also required:

Installing the appliance in the recess.

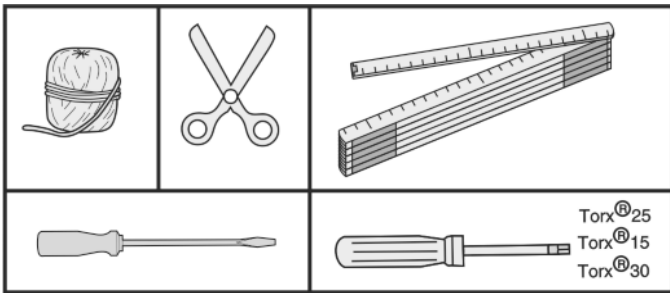


Fig. 21

If the depth of the unit is less than 21-3/4 in. (553 mm) remove the spacers on the back of the appliance in order to be able to push the appliance completely into the recess. Removing the spacers may cause the appliance to use more energy as this reduces the ventilation cross-section.

► Undo the screw and remove the spacers.

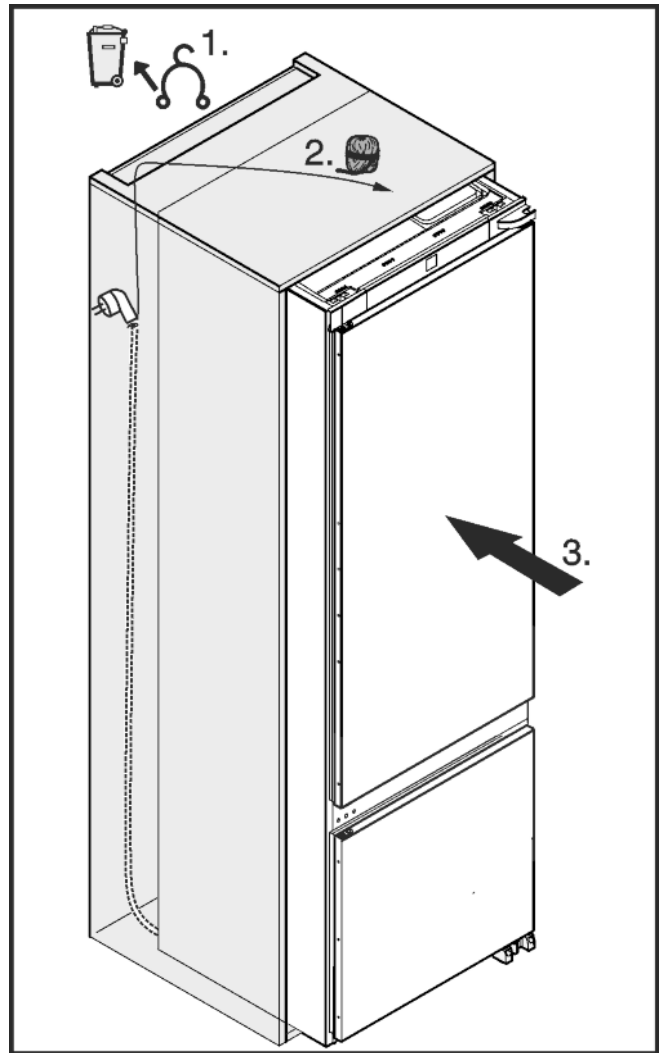
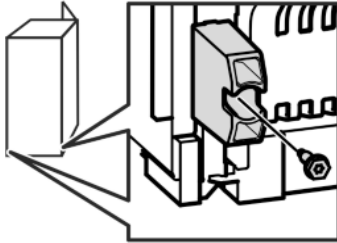


Fig. 22

- Remove the mains cable cleat (1) and run the cable upwards using a thread (2).
- Push the appliance two thirds into the cabinet (3).

Installing the appliance in the recess.

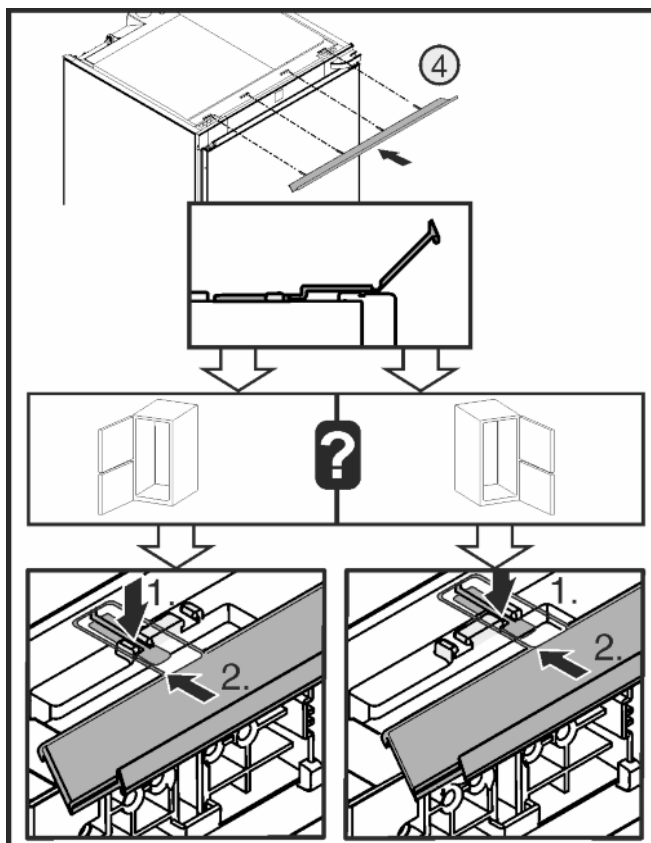


Fig. 23

- Fit the equalizer trim on top. If the hinge is on the left, slide the equalizer trim into the left hook. If the hinge is on the right, slide the equalizer trim into the right hook.

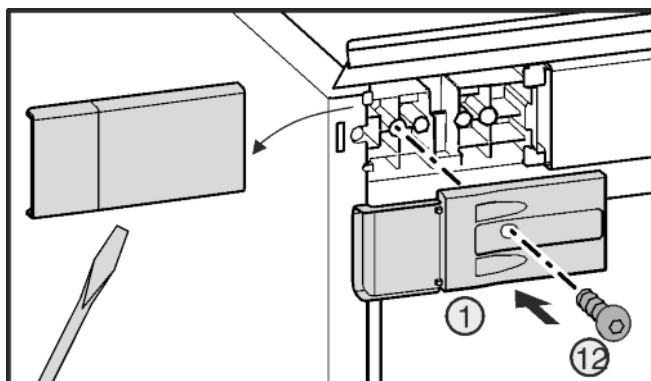


Fig. 24

- Remove the cover and screw the bracket in.

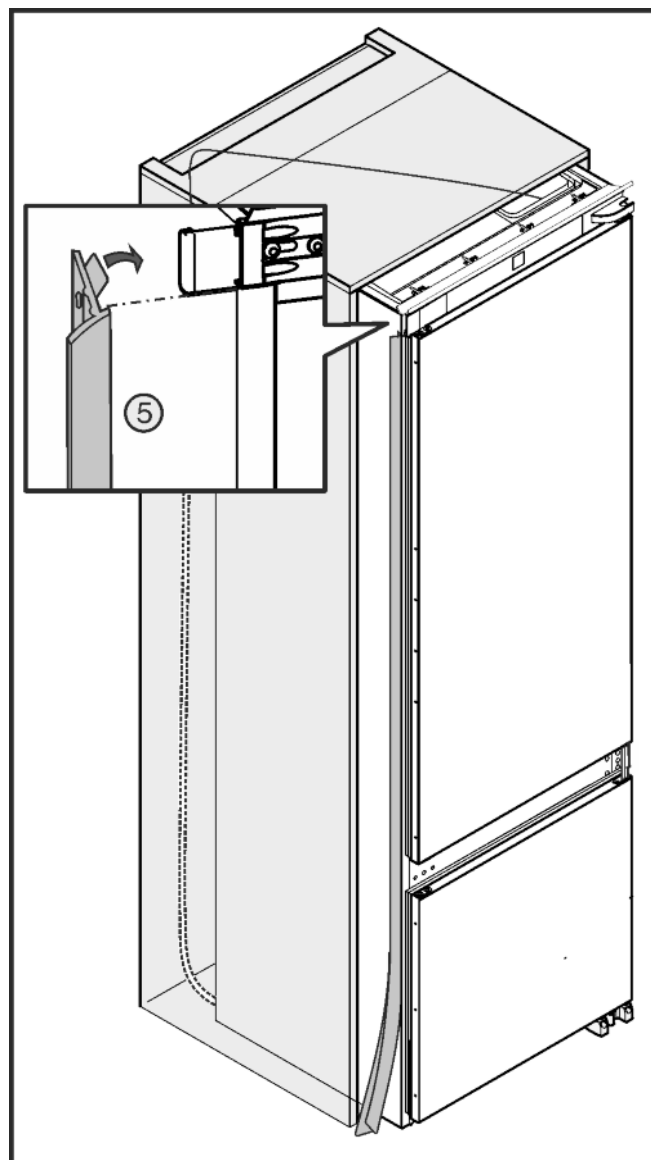


Fig. 25

- Fit the strip: place at the top under the bracket and stick to the side panel. The strip must not be shortened.

Installing the appliance in the recess.

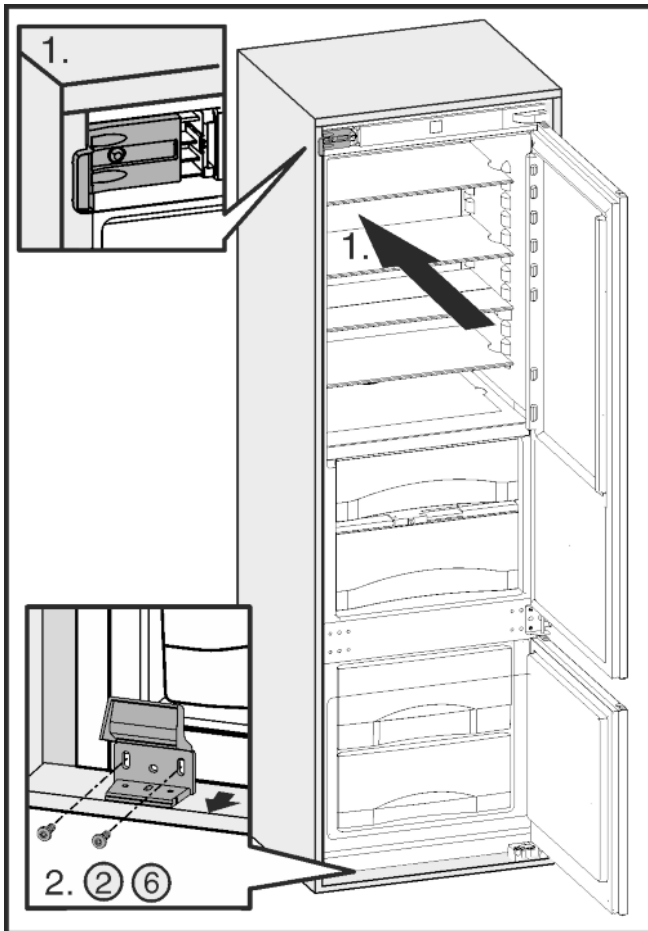


Fig. 26

- ▶ Push the appliance in until the bracket touches the top on the front of the cabinet side panel (1).
- ▶ Screw the bearing support in but do not tighten the screws (2).
- ▶ Check the insertion depth. The front edge of the bearing support must be flush with the front edge of the cabinet floor.

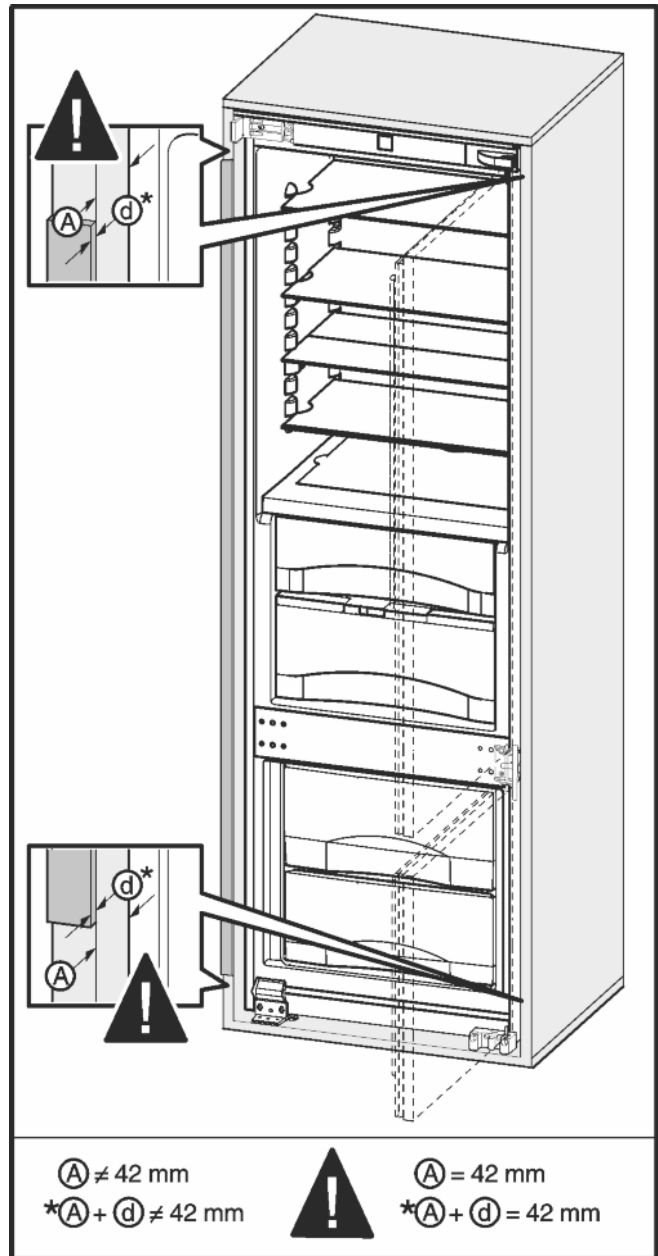


Fig. 27

- ▶ Checking the insertion depth (A): The distance between the front edge of the cabinet and the appliance body must be 1-5/8" (42 mm) all the way along. If necessary make allowance for the stops on the cabinet (d).

Installing the appliance in the recess.

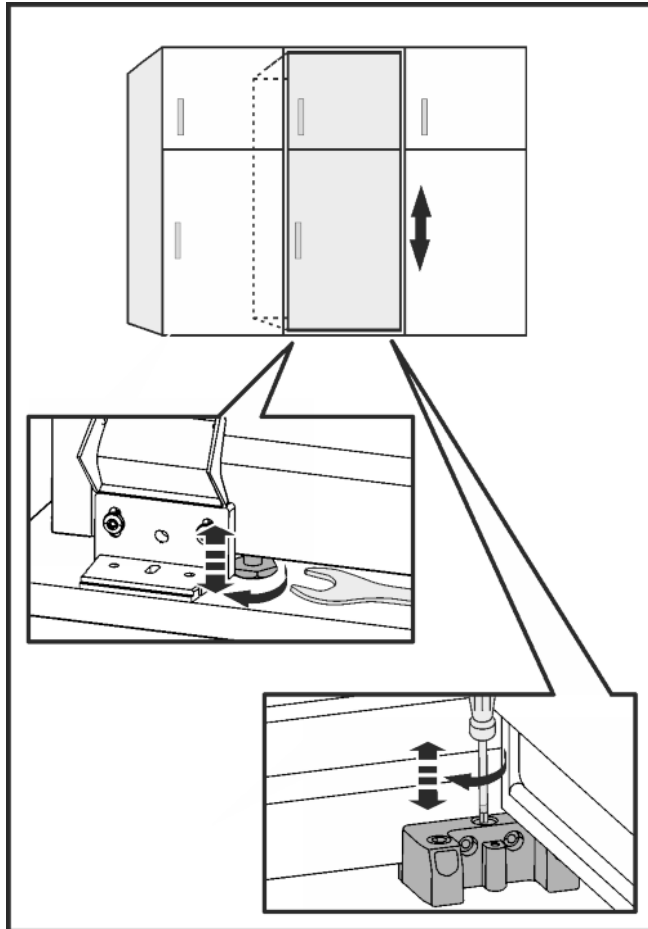


Fig. 28

- Align the height of the appliance with the adjusting feet.

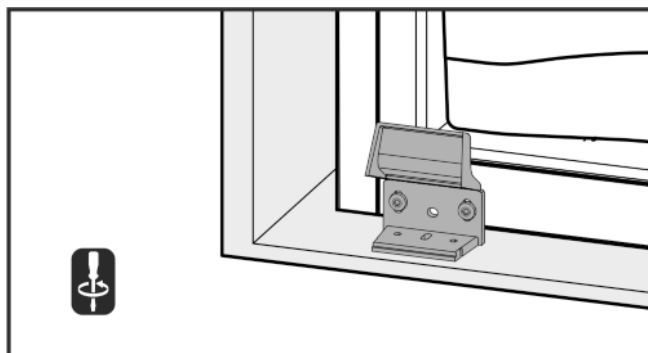


Fig. 29

- Tighten the screws on the bottom of the bearing support.

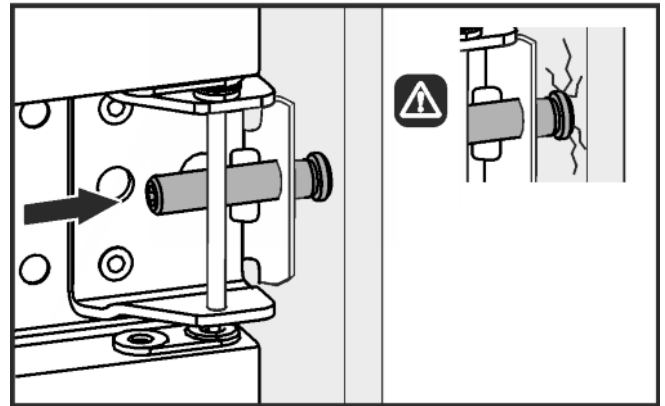


Fig. 30

- Undo the adjusting screw until it rests against the side panel of the cabinet. Do not undo it too far otherwise the cabinet may be damaged.

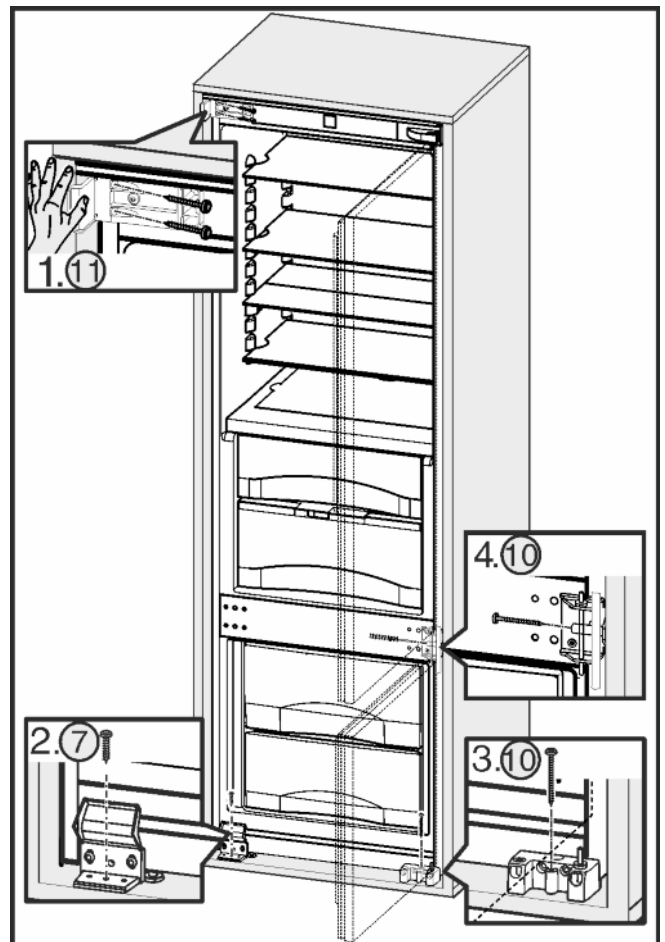


Fig. 31

- Fix the appliance in the recess, first of all the top handle side then the bottom. Then the bottom hinge side and finally the hinge side in the middle.

Installing the appliance in the recess.

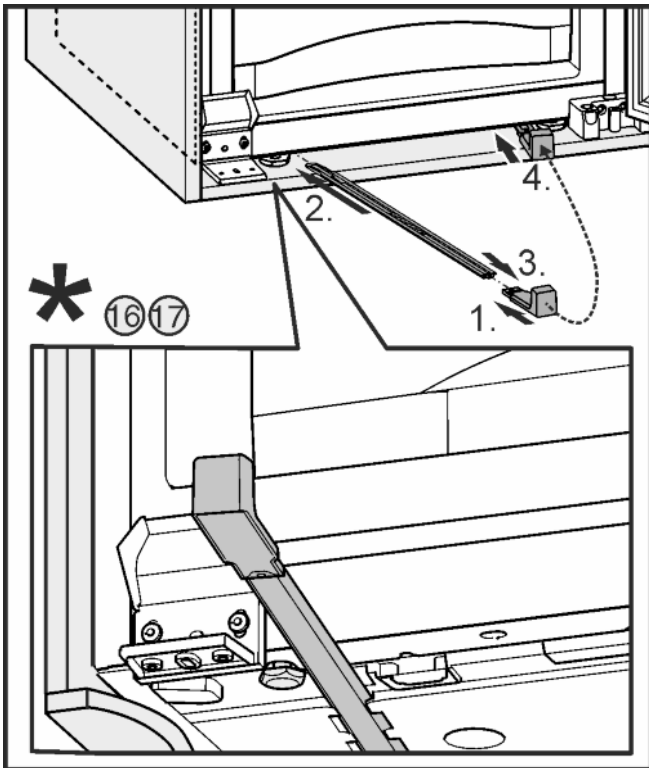


Fig. 32

- ▶ Supporting the appliance at the bottom at the back: Insert the handle into the stabilization rail and push the stabilization rail into the appliance floor. Remove the handle and do the same with the second stabilization rail.
- ▶ Check all screws and retighten if necessary.

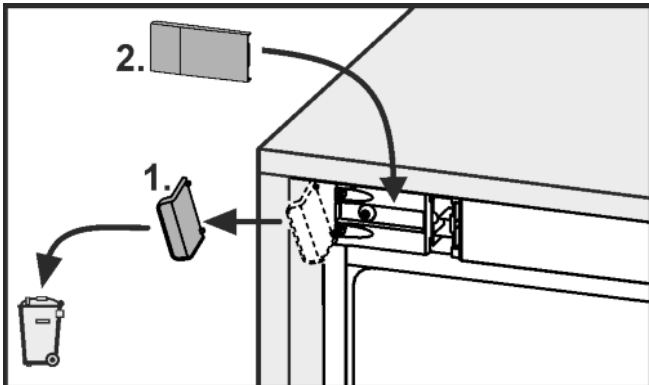


Fig. 33

- ▶ Remove the stop from the bracket on the handle side and dispose of it. Re-attach cover.

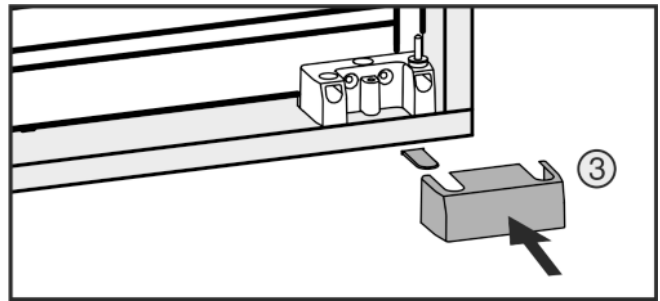


Fig. 34

- ▶ Fit the bottom cover on the hinge side to the bottom bearing support.

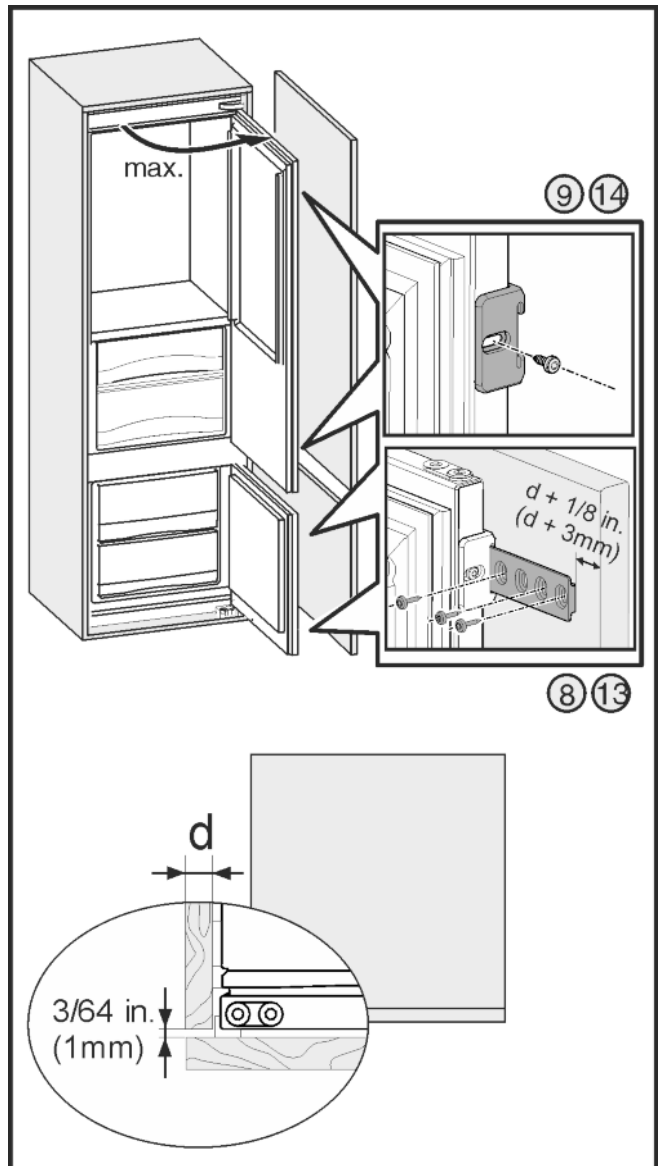


Fig. 35

- ▶ Attaching the cabinet door to the appliance door: Open the door as wide as it will go. Fit the bracket on the appliance door and the rail to the cabinet door.

Disposal of packaging

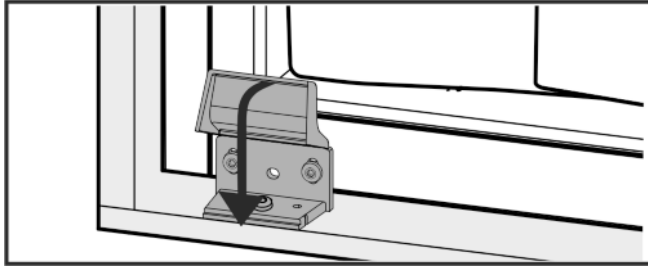


Fig. 36

- ▶ Fold the bearing support cover on the hinge side downwards.

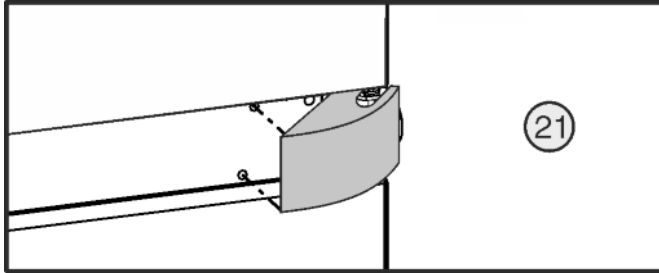


Fig. 37

- ▶ Fit the cover to the middle bearing support.

10 Disposal of packaging



WARNING

Danger of suffocation from packaging materials and films!

- ▶ Do not allow children to play with packaging materials.

The packaging is made from recyclable materials:

- Corrugated card/cardboard
- Parts made of foamed polystyrene
- Films and bags from polyethylene
- Packing bands from polypropylene
- Wood frame nailed together with a polyethylene window*



- ▶ Take the packaging material to an official collection point.

11 Connecting the appliance



WARNING

Electrical shock hazard!

- ▶ Start-up should only take place once the appliance has been installed according to these instructions.
- ▶ Electrically ground appliance.
- ▶ Do not ground to a gas pipe.
- ▶ Check with a qualified electrician if you are not sure the appliance is properly grounded.
- ▶ Do not have a fuse in the neutral or grounding circuit.
- ▶ Do not use an extension cord, power bar or a multiple socket adapter.
- ▶ Do not use a power cord that is frayed or damaged.



WARNING

Electrical shock hazard!

This appliance is equipped with a three-prong (grounding) polarized plug for your protection against possible shock hazards. Electrical Grounding Required.

- ▶ Do not remove the round grounding prong from the plug.
- ▶ Use only an grounded adapter.

- Wait 1 hour after installation before you plug in the appliance. This allows the refrigerant and system lubrication to reach equilibrium.
- We recommend using a dedicated circuit for this appliance to prevent electrical overload.
- Follow all Federal, State and local electrical, fire and building codes and ordinances when installing the receptacle and / or the appliance.
- In some communities, a wall switch is required to turn power to the appliance ON and OFF.
- To reduce the risk of fire, electric shock, or personal injury, installation work and electrical wiring must be done by a qualified electrician in accordance with all applicable codes and standards, including fire-rated construction.
- The Power Plug must be easily accessible so that the appliance can be disconnected from the mains quickly in an emergency. It must not be behind the back of the appliance.
- The top of the electric outlet must be located within 82-5/8 in. (2100 mm) from the top of the base in the cabinet.

For Service in the U.S.:

Liebherr Service Center

Toll Free: 1-866-LIEBHER or 1-866-543-2437

Service-appliances.us@liebherr.com
PlusOne Solutions, Inc.
3501 Quadrangle Blvd, Suite 120
Orlando, FL 32817

For Service in Canada:

Liebherr Service Center

Toll Free: 1-888-LIEBHER or 1-888-543-2437

www.euro-parts.ca
EURO-PARTS CANADA
39822 Belgrave Road
Belgrave, Ontario, N0G 1E0
Phone: (519) 357-3320
Fax: (519) 357-1326



www.liebherr-appliances.com